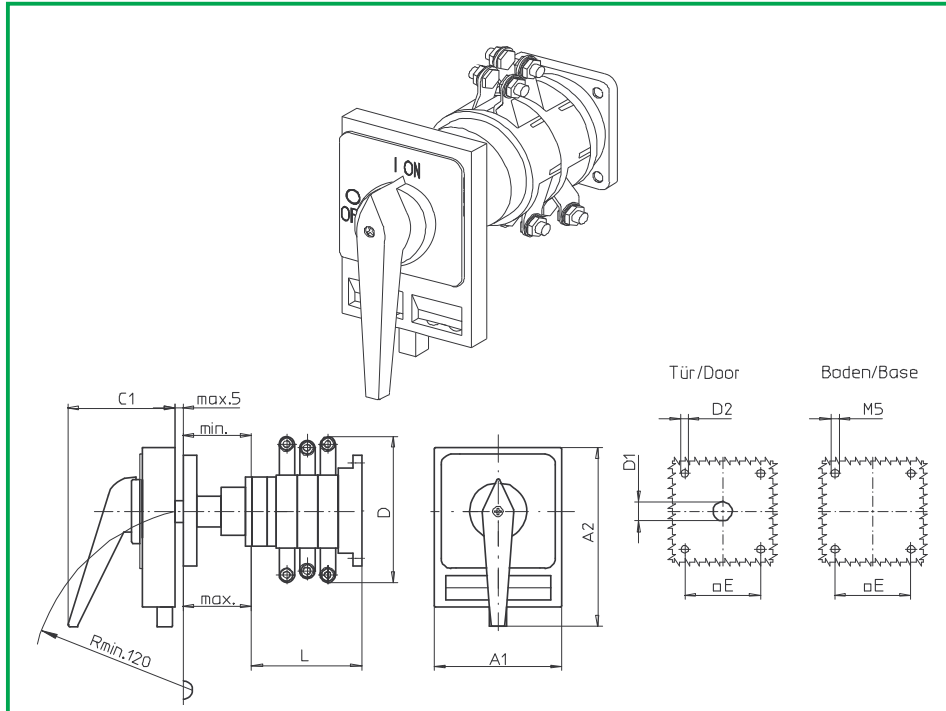


Base Mounting Switches



**Product line
K830**

Base mounting switch

Door interlock

Four hole mounting

104 x 104 mm base

104 x 104 mm front

034H1 (IP55)

034H4 (IP55)

Complete Switch	Poles	Product lines	Rated Data (IEC 60947)			Order Code Number
			Operational current I _e	Operational power at 380–440V		
			AC-21A A	AC-23A kW	AC-3 kW	
Main Switches Switching angle 90° OFF position padlockable 09h	3 ... 8	K830	315	132	55	K830 - 41 ... - 034H1
Main/Emergency-Off Switches Switching angle 90° OFF position padlockable 09h	3 ... 8	K830	315	132	55	K830 - 41 ... - 034H4

SMD modules for basic switch	(GA A02)		
Mounting form module for 034H.		K830	BFA8 - 042
H-operator module 100 x 160 mm, mounting form 034H1 Padlock device black, Padlockable handle black			8AH1 - 09
H-operator module 100 x 160 mm, mounting form 034H4 Padlock device black, Padlockable handle red			8AH4 - 09
Legend plate silver, operator module 034H1			FAS8 - (FA number)
Legend plate yellow, operator module 034H4			FBS8 - (FA number)
Terminal cover		2 x	TCA8

Dimensions (mm)										L with ... stages			
Type	A1	A2	C1	D*	D1	D2	E	min.	max.	1	2	3	4
K830	130	176	93	210	20	5,5	104	75	102	89	125	161	197

Switching programmes ¹⁾

Dimension L	Main/Emergency-Off Switches
125	41300, 41400
161	41600
197	41800

* Terminal lugs included

¹⁾ Examples, other switching programmes on request