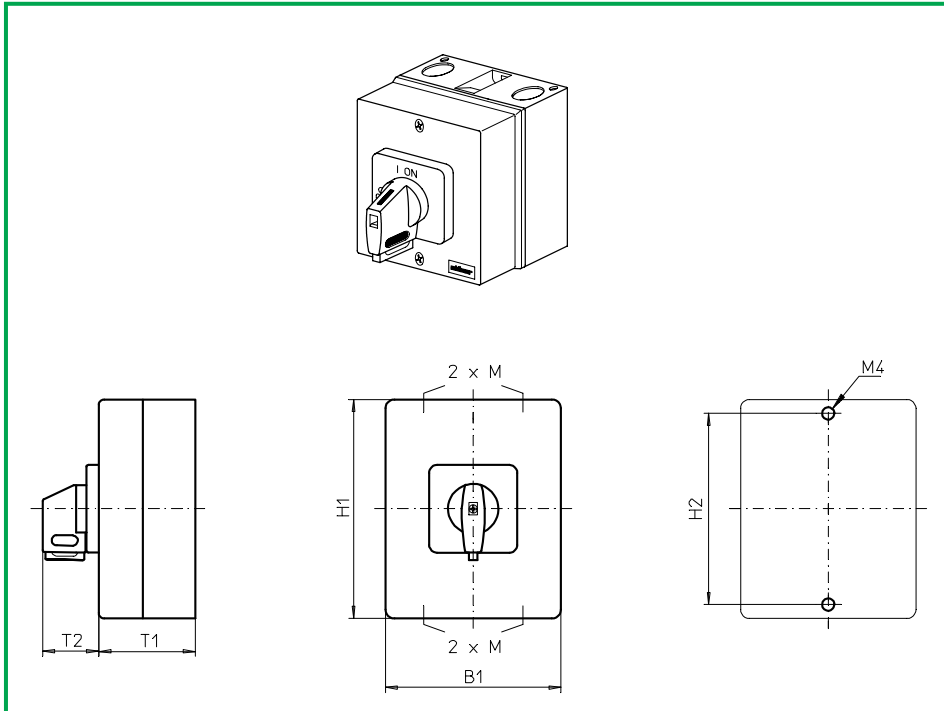


Enclosed Switches

sälzer



Product line
M200

Enclosed Switches

Insulated enclosure
100 x 80 x 65 mm

Cable entries
4 x M20

077V1 (IP66)
077V4 (IP66)

Complete switch	Poles	Product line	Rated data (IEC 60947)			Order code number
			Operational current I _e	Operational power at 380–440 V		
			AC-21A A	AC-23A kW	AC-3 kW	
Main Switches OFF position padlockable 09h	1 ... 4	M200	20	7,5	5,5	M220 - 61 ... - 077V1
Main/Emergency-Off Switches OFF position padlockable 09h	1 ... 4	M200	20	7,5	5,5	M220 - 61 ... - 077V4

SMD modules for basic switch						
Mounting form module for 077V., 1 contact stage				M220		BFE2 - EA
Mounting form module for 077V., 2 contact stages				M220		BFF2 - EA
Enclosure module, mounting form 077V1						PAM2 - 077V1
Enclosure module, mounting form 077V4						PAM2 - 077V4
Legend plate silver, enclosure module 077V1						FAS2 - 9078
Legend plate yellow, enclosure module 077V4						FBS2 - 9078

Dimensions (mm)							
Product line	H1	B1	T1	T2	2xM	H2	
M220	100	80	65	32	20	90	