

# Base Mounting Switches

# sälzer

**Product lines**  
**H200-A/-B**

**Base mounting switch**

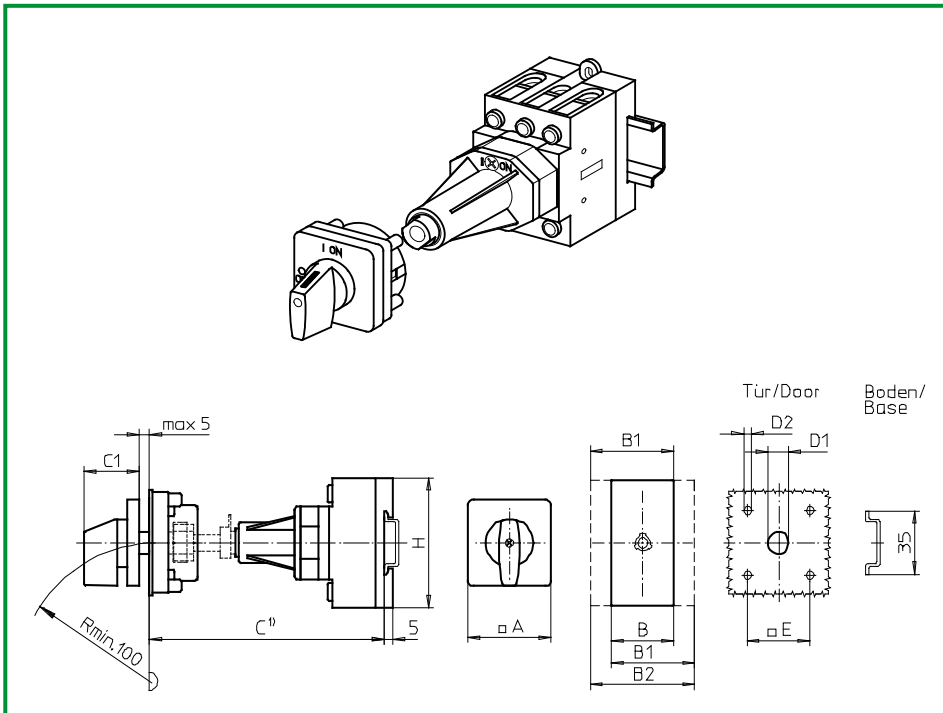
**Door interlock**

Metal shaft extension  
With shaft retaining bush

**Four hole mounting**

36 × 36 mm front

**481M1** (IP66)



Complete switch	Poles	Product lines	Rated data (IEC 60947)			Order code number
			Operational current I <sub>e</sub>	Operational power at 380–440V		
			AC-21A A	AC-23A kW	AC-3 kW	
ON-OFF Switches Switching angle 90°	3 ... 4	H200-A	20	5,5	3,7	<b>H216 - 41 ... - 481M1</b>
			25	7,5	5,5	<b>H220 - 41 ... - 481M1</b>
			32	11	7,5	<b>H226 - 41 ... - 481M1</b>
			40	15	11	<b>H233 - 41 ... - 481M1</b>
			63	22	18,5	<b>H263 - 41 ... - 481M1</b>
	3 ... 4	H200-B				

SMD modules for basic switch A02		
Mounting form module for 481M1	H200-A H200-B	<b>BFA2 - 481</b> <b>BFB2 - 481</b>
M-operator module 48 × 48 mm, mounting form 481M1 Escutcheon black, handle black	H200-A/-B	<b>2AM1</b>
Legend plate silver, operator module 481M1		<b>FAS2 - 9...</b> (FA number)

Dimensions (mm)									
Product lines	A	B	B1	B2	C1	D1	D2	E	H
H200-A	48	36	48	60	32	15	4,5	36	70
H200-B	48	50	69	88	32	15	4,5	36	72

C<sup>1)</sup> Internal depth, inside of door to top of DIN rail. Metal shaft is not included. Please order separately. See page B9-21.