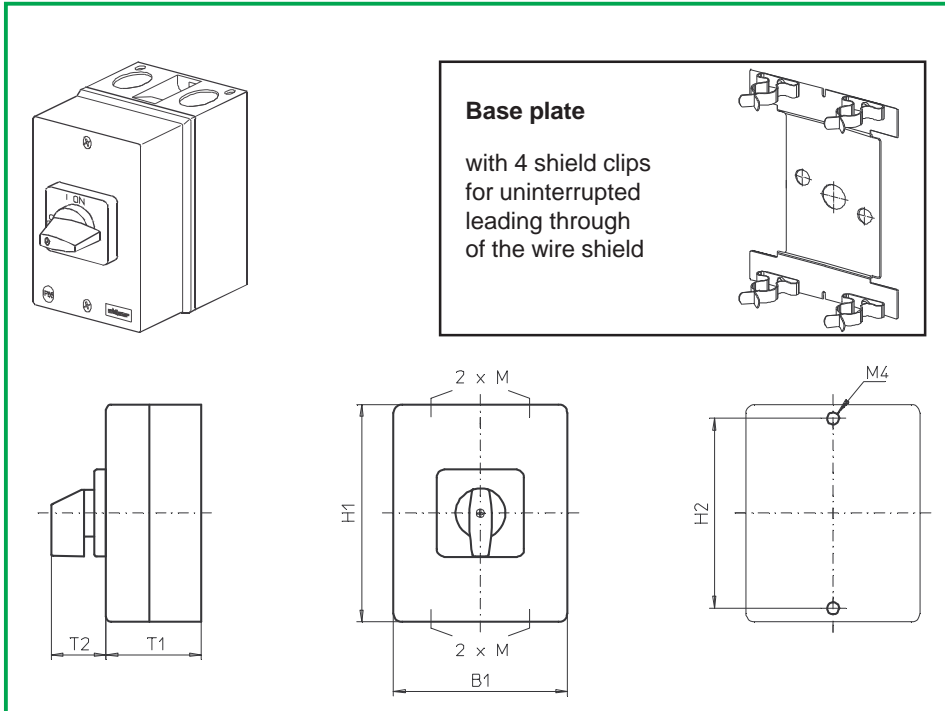


# Enclosed Switches



**Product line**  
**B200-A**

**Insulated enclosure**  
175 x 115 x 100 mm

With cover interlock  
in ON position

Uninterrupted leading  
through of the wire shield

**Cable entries**  
4 x M20/M25  
4 x SKL shield clip  
for shield diameter 12-16 mm

**716M1 (IP66)**

Complete switch	Poles	Product lines	Rated data (IEC 60947)			Order code number
			Operational current I <sub>e</sub>	Operational power at 380–440 V		
			AC-21A A	AC-23A kW	AC-3 kW	
ON-OFF Switches Switching angle 90°	3 ... 4	B200-A	50 63	18,5 22	15 18,5	<b>B250 - 41 ... - 716M1</b> <b>B263 - 41 ... - 716M1</b>

SMD modules for basic switch A02						
Mounting form module for 716M1				B200-A		<b>BFB2 - E7</b>
Enclosure module, mounting form 716M1						<b>PAH2 - 716M1</b>
Legend plate silver, enclosure module 716M1						<b>FAS4 - 9...</b> (FA number)
Remark to mounting form: Terminal capacity max. 16 mm <sup>2</sup> on N-terminal and/or PE-terminal						

Dimensions (mm)						
Product lines	H1	B1	T1	T2	2xM	H2
B200-A	175	115	100	39	20/25	165