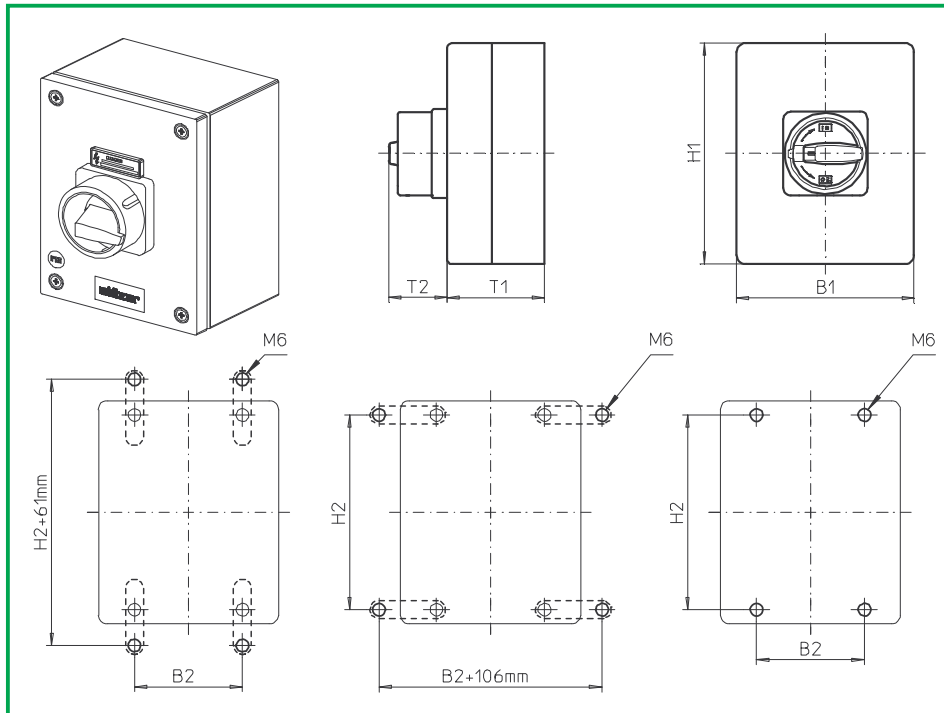


Enclosed Switches



**Product line
B200-A**

Enclosed switch

**Mild steel enclosure
powder coated**

200 x 150 x 120 mm

with cover interlock
in ON position

087M1 (IP66)

087M4 (IP66)

Complete switch	Poles	Product lines	Rated data (IEC 60947)			Order code number
			Operational current I _e	Operational power at 380–440 V		
			AC-21A A	AC-23A kW	AC-3 kW	
Main Switches OFF position padlockable 09h	3 ... 4	B200-A	50	18,5	15	B250 - 41 ... - 087M1
			63	22	18,5	B263 - 41 ... - 087M1
Main/Emergency-Off Switches OFF position padlockable 09h	3 ... 4	B200-A	50	18,5	15	B250 - 41 ... - 087M4
			63	22	18,5	B263 - 41 ... - 087M4
Realisable switching programmes: 3-pole 41300 , 41311, 41320 4-pole 41400 , 41411 and 41420						
SMD modules for basic switch A02						
Mounting form module (switch module ED)			B200-A		BFD2 - ED	
Enclosure module, mounting forms 087M1					SAB2 - 087M1	
Enclosure module, mounting forms 087M4					SAB2 - 087M4	
Mounting brackets for enclosure modules SA (1 set) (Please order separately – accessories see page D5-1)					SAX1	
Dimensions (mm)						
Product lines	H1	B1	T1	T2	H2	B2
B200-A	200	150	120	38	182	85