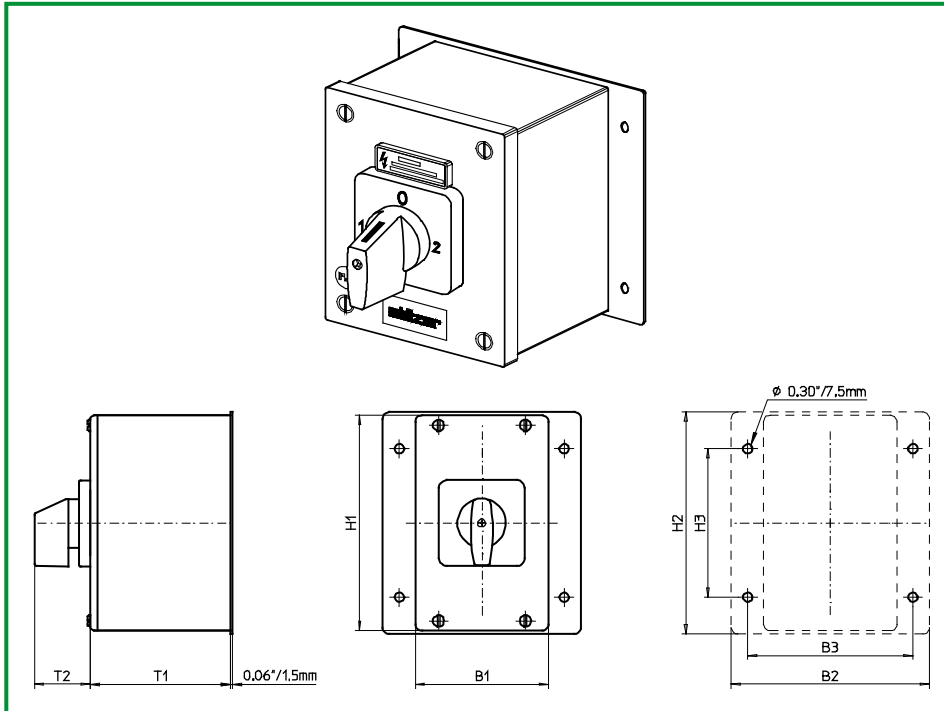


# Enclosed Switches



**Product line  
H200-E**

**Enclosed switch**

**Stainless steel  
enclosure  
polished**

160 × 160 × 110 mm

Cover interlock  
in position 1 and 2

with PE connection link  
without N connection link

**193M1** (IP66)

Complete switch	Poles	Product lines	Rated data (IEC 60947)			Order code number
			Operational current $I_e$	Operational power at 380–440V		
			AC-21A A	AC-23A kW	AC-3 kW	
Changeover with OFF Switching angle 90°	3 ... 4	H200-E	20	5,5	3,7	<b>H216 - 71 ... - 193M1</b>
			25	7,5	5,5	<b>H220 - 71 ... - 193M1</b>
			32	11	7,5	<b>H226 - 71 ... - 193M1</b>
			40	15	11	<b>H233 - 71 ... - 193M1</b>

SMD modules for basic switch A02			
Mounting form module for 193M1		H200-E	<b>BFB2 - E9</b>
Enclosure module, mounting form 193M1			<b>SBH2 - 193M1</b>
Legend plate silver, enclosure module 193M1			<b>FAS4 - 9...</b> (FA number)

Dimensions (mm)								
Product line	H1	B1	T1	T2	H2	H3	B2	B3
H200-E	160	160	110	39	165	110	210	185