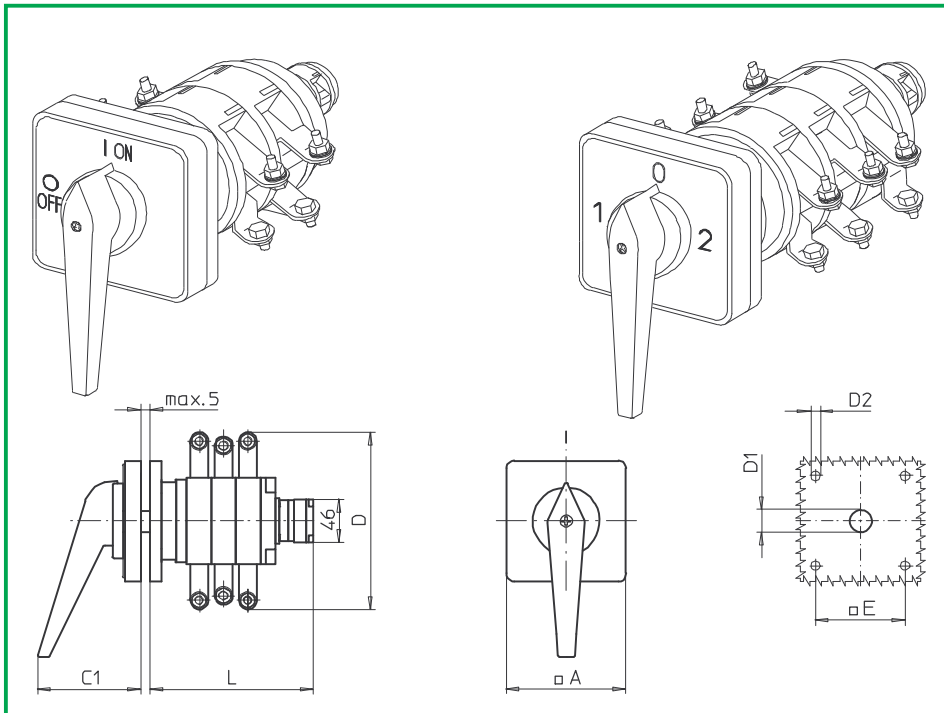


Front Mounting Switches

sälzer



**Product line
K616**

Front mounting switch

Four hole mounting
68 x 68 mm

003G1 (IP55)

Complete Switch	Poles	Product lines	Rated Data (IEC 60947)			Order Code Number
			Operational current I _e	Operational power at 380–440V		
			AC-21A A	AC-23A kW	AC-3 kW	
ON-OFF Switches Switching angle 90° Starting position of the handle 09h	3 ... 8	K616	160	75	45	K616 - 41 ... - 003G1
Changeover with OFF Switching angle 90° Starting position of the handle 12h	3 ... 4	K616	160	75	45	K616 - 71 ... - 003G1

SMD modules for basic switch	(GA A01)		
Mounting form module for 003G1		K616	BFA6 - 003
G-operator module 88 x 88 mm, mounting form 003G1 Escutcheon black, handle black; Starting position of the handle 09h			6AG1
G-operator module 88 x 88 mm, mounting form 003G1 Escutcheon black, handle black; Starting position of the handle 12h			6BG1
Legend plate silver, operator module 003G1			FAS6 - (FA number)

Dimensions (mm)								
Product line	A	C1	D*	D1	D2	E	Switching programmes ¹⁾	L
K616	88	66	150	20	5,5	68	41300, 41400 41600, 71300 41311, 41320 41411, 41420 41800, 71400 41611, 41620 71311, 71320	104 136 142 142 168 174 184

* Terminal lugs included
¹⁾ Examples, other switching programmes on request