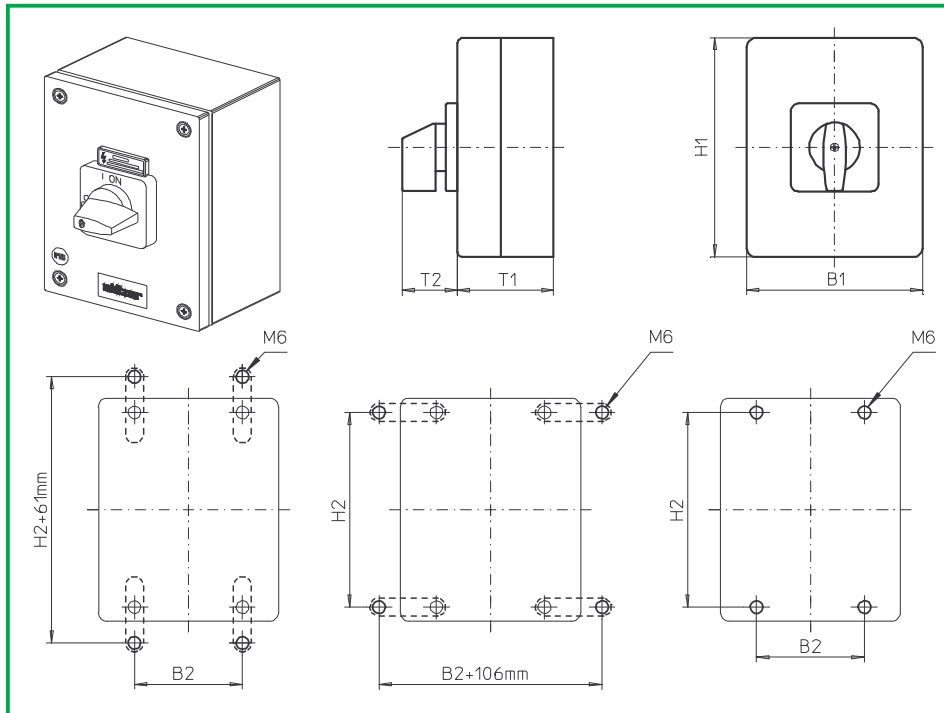


# Enclosed Switches



**Product lines**  
H400-A/ -D/ -E

**Enclosed switches**

**Stainless steel enclosure**

300 x 250 x 150 mm

With cover interlock in ON position

**Cable entries**  
without

**196M1 (IP66)**

Complete switch	Poles	Product line	Rated data (IEC 60947)			Order code number
			Operational current I <sub>e</sub>	Operational power at 380–440 V		
			AC-21A A	AC-23A kW	AC-3 kW	
ON-OFF Switches Switching angle 90°	3 ... 8	H400-A/ -D	63	22	18,5	H406 - 41 ... - 196M1
			80	30	22	H408 - 41 ... - 196M1
			100	37	30	H410 - 41 ... - 196M1
			125	45	37	H412 - 41 ... - 196M1
Changeover with OFF Switching angle 90°	3 ... 4	H400-E	63	22	18,5	H406 - 71 ... - 196M1
			80	30	22	H408 - 71 ... - 196M1
			100	37	30	H410 - 71 ... - 196M1
			125	45	37	H412 - 71 ... - 196M1

### SMD modules for basic switch A02

Mounting form module (switch module ED)  
Mounting form module (switch module ED)  
Mounting form module (switch module ED)

H400-A  
H400-D  
H400-E

BFA4 - ED  
BFB4 - ED  
BFC4 - ED

Enclosure module, mounting form 196M1

H400-A/ -D/ -E

SBH4 - 196M1

Legend plate silver, enclosure module 196M1

FAS6 - 9 ...(FA number)

**Mounting brackets** for enclosure modules SB (1 set)  
(Please order separately – accessories see page D5-2)

SBX1

### Dimensions (mm)

Product lines	H1	B1	T1	T2	H2	B2
H400-A	300	250	150	52	282	185
H400-D	300	250	150	52	282	185
H400-E	300	250	150	52	282	185