

Base Mounting Switches

sälzer

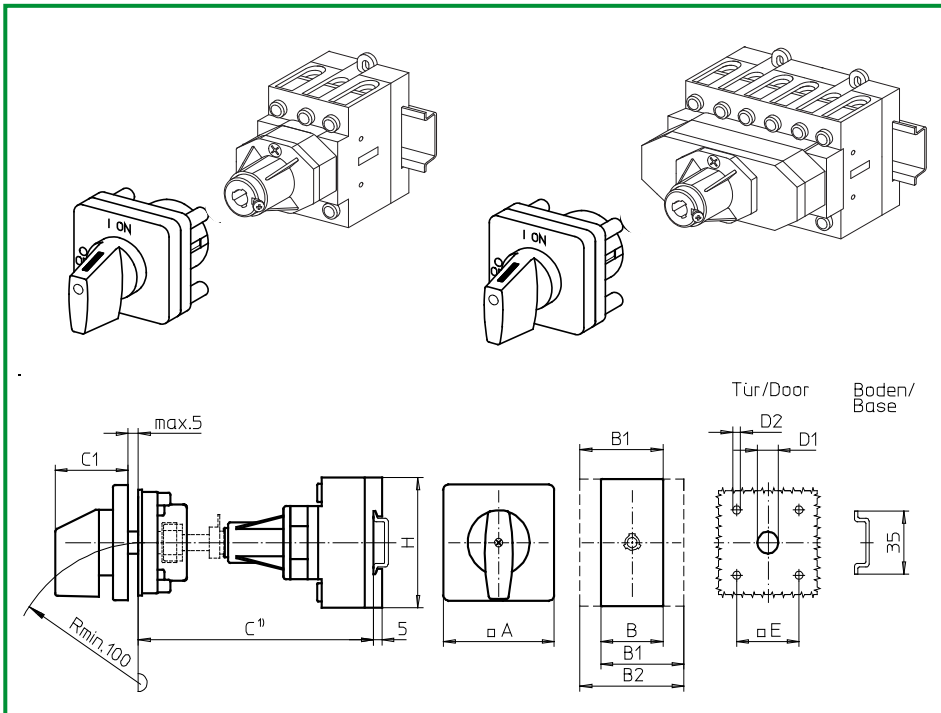
Product lines
H200-A/-B/-D/-E

Base mounting switch
Operator module of next size

Door interlock
Metal shaft extension
With shaft retaining screw

Four hole mounting
48 x 48 mm front

454M1 (IP66)



Complete switch	Poles	Product lines	Rated data (IEC 60947)			Order code number	
			Operational current I _e	Operational power at 380–440V			
			AC-21A A	AC-23A kW	AC-3 kW		
ON-OFF Switches Switching angle 90°	3 ... 8	H200-A/-D	20	5,5	3,7	H216 - 41 ... - 454M1	
			25	7,5	5,5	H220 - 41 ... - 454M1	
			32	11	7,5	H226 - 41 ... - 454M1	
			40	15	11	H233 - 41 ... - 454M1	
Changeover with OFF Switching angle 90°	3 ... 4	H200-B	63	22	18,5	H263 - 41 ... - 454M1	
			H200-E	20	5,5	3,7	H216 - 71 ... - 454M1
				25	7,5	5,5	H220 - 71 ... - 454M1
				32	11	7,5	H226 - 71 ... - 454M1
40	22	18,5		H233 - 71 ... - 454M1			

SMD modules for basic switch A02			
Mounting form module for 454M1		H200-A H200-B/-D H200-E	BFA2 - 454 BFB2 - 454 BFC2 - 454
M-operator module 64 x 64 mm, mounting form 454M1 Escutcheon black, handle black		H200-A/-B/-D/-E	4AM1
Legend plate silver, operator module 454M1			FAS4 - 9... (FA number)

Dimensions (mm)									
Product lines	A	B	B1	B2	C1	D1	D2	E	H
H200-A	64	36	48	60	39	15	5	48	70
H200-B	64	50	69	88	39	15	5	48	72
H200-D	64	72	84	96	39	15	5	48	70
H200-E	64	72	84	96	39	15	5	48	70

C¹) Internal depth, inside of door to top of DIN rail. Metal shaft is not included. Please order separately. See page B9-21.