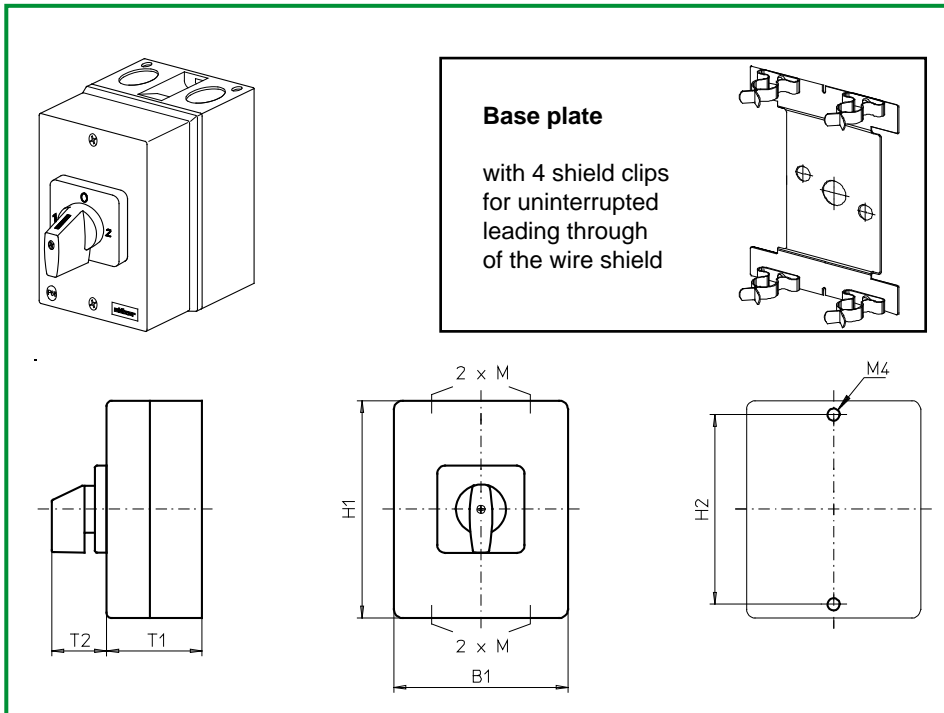


Enclosed Switches

sälzer



Product line
H200-E

Insulated enclosure

175 x 115 x 100 mm

Cover interlock
in position 1 and 2

Uninterrupted leading
through of the wire shield
with N/PE connection link

Cable entries

4 x M20/M25

4 x SKL Shield clip
for shield diameter 12–16 mm

727M1 (IP66)

Complete switch	Poles	Product lines	Rated data (IEC 60947)			Order code number
			Operational current I _e	Operational power at 380–440V		
			AC-21A A	AC-23A kW	AC-3 kW	
Changeover with OFF Switching angle 90°	3	H200-E	20	5,5	3,7	H216 - 71300 - 727M1
			25	7,5	5,5	H220 - 71300 - 727M1
			32	11	7,5	H226 - 71300 - 727M1
			40	15	11	H233 - 71300 - 727M1
SMD modules for basic switch A02						
Mounting form module for 727M1				H200-E		BFB2 - E7
Enclosure module, mounting form 727M1				H200-E		PAH2 - 727M1
Legend plate silver, enclosure module 727M1				H200-E		FAS4 - 9... (FA number)
Dimensions (mm)						
Product line	H1	B1	T1	T2	2xM	H2
H200-E	175	115	100	39	20/25	165