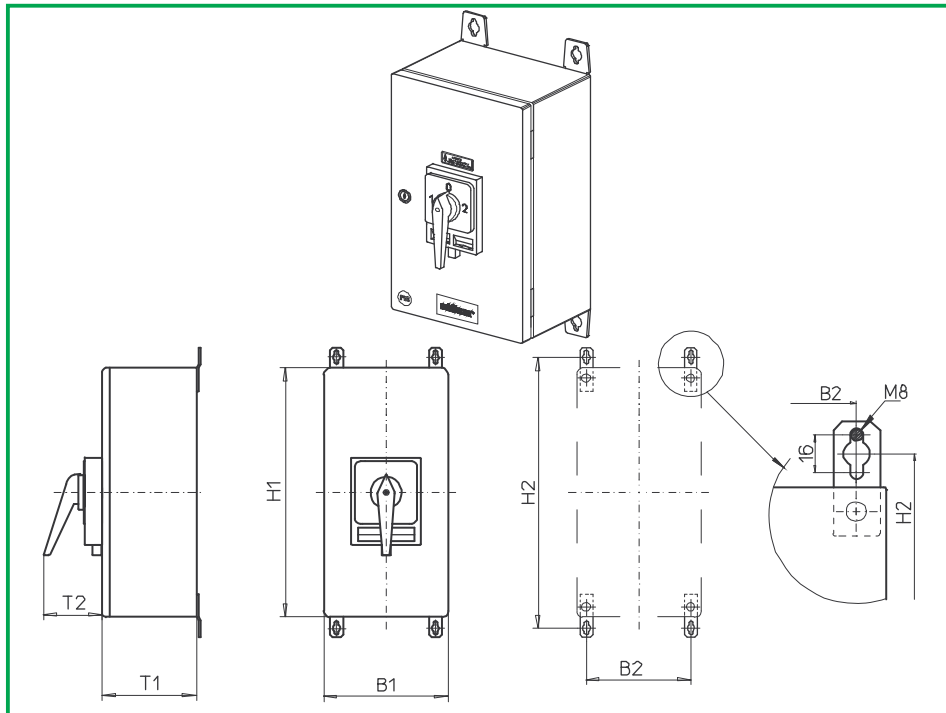


# Enclosed Switches

# sälzer



**Product line  
K830**

**Enclosed Switches**

**Mild steel enclosures**  
600 x 400 x 300 mm

With cover interlock  
in position 1 and 2

**Cable entries**  
Blank gland plates

**186H1(IP66)**

Complete Switch	Poles	Product lines	Rated Data (IEC 60947)			Order Code Number
			Operational current I <sub>e</sub>	Operational power at 380–440V		
			AC-21A A	AC-23A kW	AC-3 kW	
Changeover with OFF Switching angle 90° OFF position padlockable 12h	3 ... 4	K830	315	132	55	<b>K830 - 71 ... - 186H1</b>
<b>SMD modules for switch module</b>						
Mounting form module			K830			<b>K830 - 71 ... - ED</b>
Enclosure module, mounting form 186H1 H-padlock device black						<b>SAK8 - 186H1</b>
<b>Dimensions (mm)</b>						
<b>Product line</b>	<b>H1</b>	<b>H2</b>	<b>B1</b>	<b>B2</b>	<b>T1</b>	<b>T2</b>
K830	600	645	400	360	300	93
<b>Switching programmes</b>						
71300, 71311, 71322 71400	Changeover with OFF					