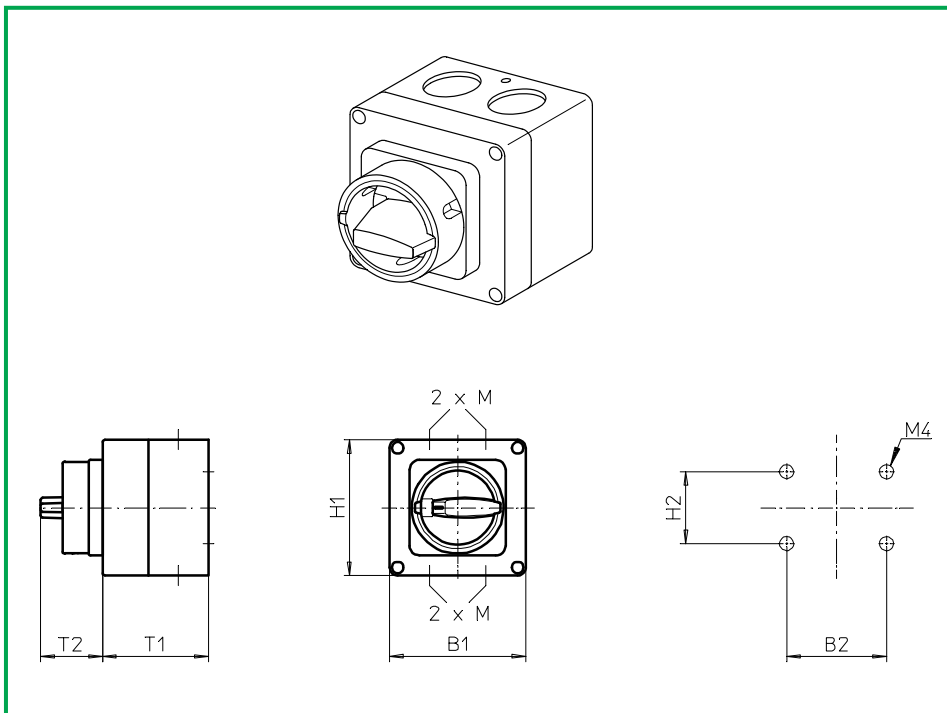


Enclosed Switches

sälzer



Product line
M200

Enclosed Switches

Insulated enclosure
68 x 68 x 53 mm

Cable entries
4 x M16

117M1 (IP65)
117M4 (IP65)

Complete switch	Poles	Product line	Rated data (IEC 60947)			Order code number
			Operational current I _e AC-21A A	Operational power at 380–440 V AC-23A kW	AC-3 kW	
Main Switches OFF position padlockable 09h	1 ... 4	M200	20	7,5	5,5	M220 - 61 ... - 117M1
Main/Emergency-Off Switches OFF position padlockable 09h	1 ... 4	M200	20	7,5	5,5	M220 - 61 ... - 117M4

SMD modules for basic switch		
Enclosure module for mounting form 117M1	M220	PBM2 - 117M1
Enclosure module for mounting form 117M4	M220	PBM2 - 117M4

Dimensions (mm)							
Product line	H1	B1	T1	T2	2xM	H2	B2
M220	68	68	54	31	16	36	50