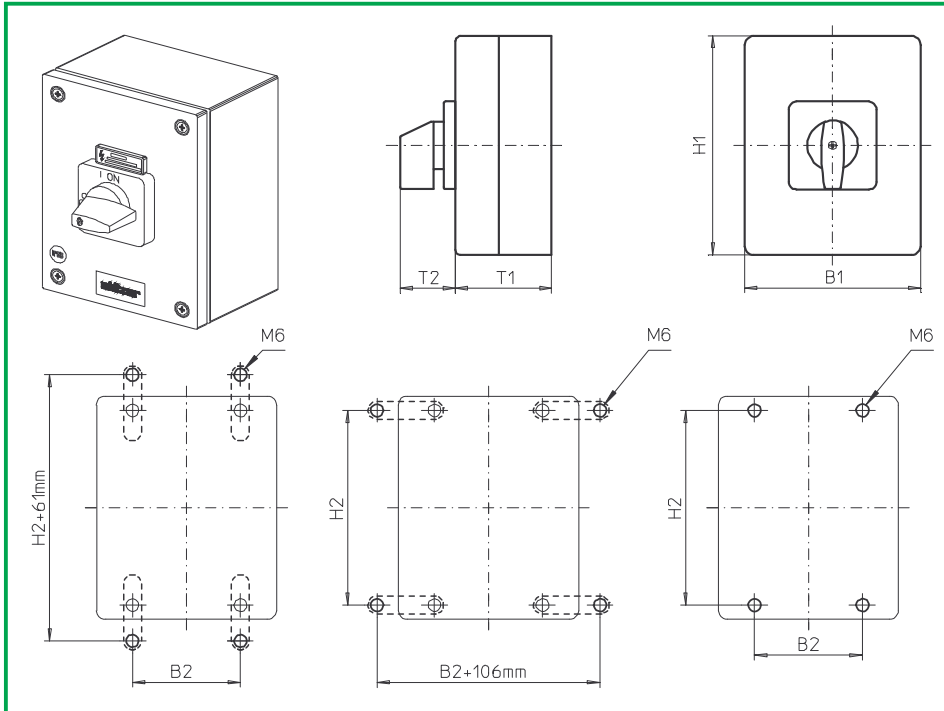


Enclosed Switches



Product line
H400-A

Enclosed switches

Stainless steel enclosure

200 x 150 x 120 mm

With cover interlock in ON position

Cable entries

without

996M1 (IP66)

Complete switch	Poles	Product line	Rated data (IEC 60947)			Order code number
			Operational current I_e	Operational power at 380–440 V		
			AC-21A A	AC-23A kW	AC-3 kW	
ON-OFF Switches Switching angle 90°	3 ... 4	H400-A	63 80	22 30	18,5 22	H406 - 41 ... - 996M1 H408 - 41 ... - 996M1
SMD modules for basic switch A02						
Enclosure module, mounting form 996M1				H400-A		SBH4 - 996M1
Legend plate silver, enclosure module 996M1						FAS6 - 9078
Mounting brackets for enclosure modules SB (1 set) (Please order separately – accessories see page D5-2)						SBX1
Dimensions (mm)						
Product line	H1	B1	T1	T2	H2	B2
H400-A	200	150	120	52	182	85