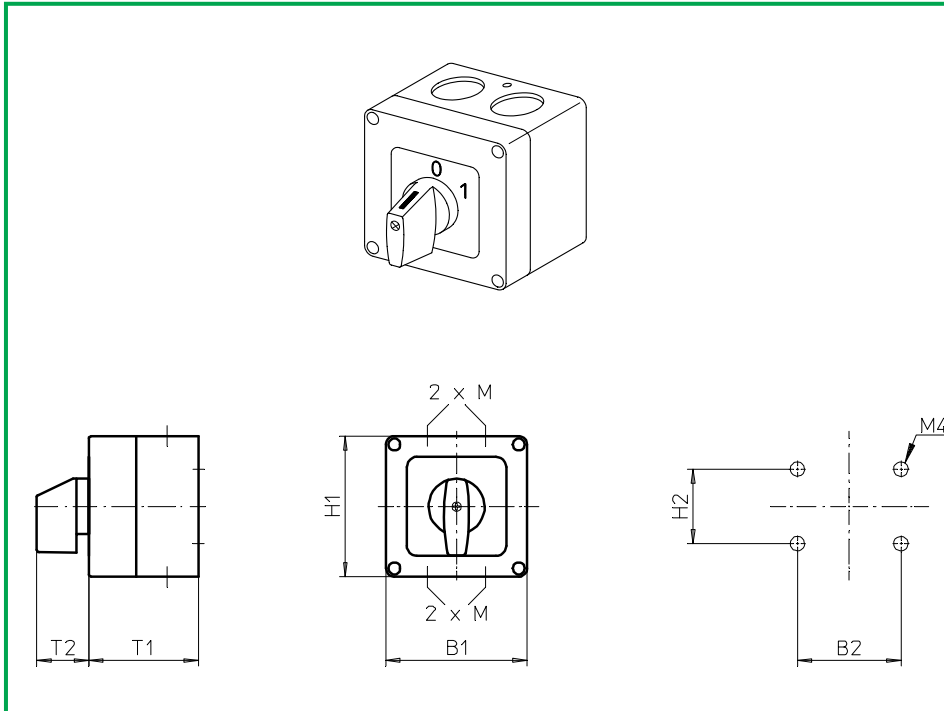


Enclosed Switches

sälzer



Product line
M200

Enclosed Switches

Insulated enclosure
68 x 68 x 53 mm

Cable entries
4 x M16

107M1 (IP65)

Complete switch	Poles	Product line	Rated data (IEC 60947)			Order code number
			Operational current I_e	Operational power at 380–440 V		
			AC-21A A	AC-23A kW	AC-3 kW	
Rotary Cam Switches Switching angle 30°/45°/60°/90°	1 ... 4	M200	20	7,5	5,5	M220 - 61 ... - 107M1

SMD modules for basic switch						
Enclosure module, mounting form 107M1				M220		PBM2 - 107M1
Legend plate silver, enclosure module 107M1						FAS2 - (FA number)

Dimensions (mm)							
Product line	H1	B1	T1	T2	2xM	H2	B2
M220	68	68	54	25	16	36	50