



## Mounting Form Table

**P200**  
**20 A up to 25 A**

### Section

<b>Front Mounting Switches</b>	<b>A</b>
<b>Base Mounting Switches</b>	<b>B</b>
<b>Enclosed Switches</b>	<b>C</b>
<b>Accessories</b>	<b>D</b>

Sälzer Electric GmbH  
Matthiasstraße 16  
57482 Wenden (Germany)  
[www.saelzer.com](http://www.saelzer.com)

Headquarters:  
Tel. +49 (0) 27 62 / 6 14-110  
Fax +49 (0) 27 62 / 6 14-100  
[sales@salzer.de](mailto:sales@salzer.de)

---

**Originator: Sälzer Electric GmbH · Product Data Management (PDM) · 09306 Rochlitz (Germany)**  
Copyright reserved by Sälzer Electric GmbH. This document replaces all previous issues.  
Valid until a new version is published. Changes and revisions reserved.

# Mounting Form Table



Mtg. form	Page		Mtg. form	Page		Mtg. form	Page		Mtg. form	Page	
002M1	B1-1	(74)	037N1	B2-21	(106)	133M1	A5-2	(64)	216M4	A3-4	(54)
003M1	A1-1	(5)	037N4	B2-21	(106)	133M4	A5-2	(64)	216N1	A3-5	(55)
003V1	A1-2	(6)	037V1	B2-22	(107)	133N1	A5-3	(65)	216N4	A3-5	(55)
004V1	A1-2	(6)	037V4	B2-22	(107)	133N4	A5-3	(65)	216V1	A3-8	(58)
005M1	A1-3	(7)	038M1	B3-20	(128)	133V1	A5-4	(66)	216V4	A3-8	(58)
005V1	A1-4	(8)	038M4	B3-20	(128)	133V4	A5-4	(66)	218M1	A2-10	(48)
012M1	B1-2	(75)	038N1	B3-21	(129)	135M1	B3-16	(124)	219M1	A2-1	(39)
013M1	A1-5	(9)	038N4	B3-21	(129)	135M4	B3-16	(124)	219V1	A2-2	(40)
013V1	A1-6	(10)	038V1	B3-22	(130)	139V1	A1-4	(8)	220V1	A2-2	(40)
014V1	A1-6	(10)	038V4	B3-22	(130)	140M1	A5-5	(67)	226V1	A2-9	(47)
015M1	A1-7	(11)	040V1	B2-4	(89)	141M1	A5-6	(68)	226V4	A2-9	(47)
015V1	A1-8	(12)	041M1	B2-3	(88)	142M1	A5-7	(69)	231M1	B2-15	(100)
021M1	B1-5	(78)	041V1	B2-4	(89)	143M1	A5-8	(70)	231M4	B2-15	(100)
022M1	B1-6	(79)	042M1	B3-3	(111)	144M1	A5-9	(71)	232M1	B2-9	(94)
024B3	A4-3	(62)	042V1	B2-4	(112)	145M1	A5-10	(72)	232M4	B2-9	(94)
025N3	A4-1	(60)	043V1	B2-4	(112)	150M1	A1-32	(36)	232N1	B2-10	(95)
026M1	B1-9	(82)	046V1	B2-8	(93)	151M1	A1-33	(37)	232N4	B2-10	(95)
026N2	B1-10	(83)	047M1	B2-7	(92)	152M1	A1-34	(38)	232V1	B2-11	(96)
026V1	B1-11	(84)	047V1	B2-8	(93)	155M1	B1-3	(76)	232V4	B2-11	(96)
026V4	B1-11	(84)	048M1	B3-7	(115)	156M1	B1-4	(77)	234M1	B3-9	(117)
027V1	B1-12	(85)	048V1	B3-8	(116)	157M1	B1-7	(80)	234M4	B3-9	(117)
028V1	B1-12	(85)	049V1	B3-8	(116)	158M1	B1-8	(81)	234N1	B3-10	(118)
031M1	B2-16	(101)	060M1	A1-9	(13)	176M1	C1-2	(134)	234N4	B3-10	(118)
031M4	B2-16	(101)	062M1	A1-10	(14)	176V1	C1-4	(136)	234V1	B3-11	(119)
032M1	B2-12	(97)	064M1	A1-11	(15)	177M1	C1-6	(138)	234V4	B3-11	(119)
032M4	B2-12	(97)	064V1	A1-12	(16)	177M4	C1-6	(138)	235M1	B3-15	(123)
032N1	B2-13	(98)	065M1	A1-13	(17)	177N1	C1-8	(140)	235M4	B3-15	(123)
032N4	B2-13	(98)	065V1	A1-14	(18)	177N4	C1-8	(140)	237M1	B2-17	(102)
032V1	B2-14	(99)	076M1	C1-1	(133)	177V1	C1-10	(142)	237M4	B2-17	(102)
032V4	B2-14	(99)	076V1	C1-3	(135)	177V4	C1-10	(142)	237N1	B2-18	(103)
033M1	A1-15	(19)	077M1	C1-5	(137)	178V1	C1-4	(136)	237N4	B2-18	(103)
033M4	A1-15	(19)	077M4	C1-5	(137)	203V1	A3-3	(53)	237V1	B2-19	(104)
033N1	A1-16	(20)	077N1	C1-7	(139)	204M1	A3-2	(52)	237V4	B2-19	(104)
033N4	A1-16	(20)	077N4	C1-7	(139)	204V1	A3-3	(53)	238M1	B3-17	(125)
033V1	A1-17	(21)	077V1	C1-9	(141)	205M1	A2-8	(46)	238M4	B3-17	(125)
033V4	A1-17	(21)	077V4	C1-9	(141)	205M4	A2-8	(46)	238N1	B3-18	(126)
034M1	B3-12	(120)	078V1	C1-3	(135)	206M1	A2-5	(43)	238N4	B3-18	(126)
034M4	B3-12	(120)	103M1	A1-22	(26)	206M4	A2-5	(43)	238V1	B3-19	(127)
034N1	B3-13	(121)	113M1	A1-23	(27)	206N1	A2-6	(44)	238V4	B3-19	(127)
034N4	B3-13	(121)	120M1	A1-24	(28)	206N4	A2-6	(44)	240V1	B2-2	(87)
034V1	B3-14	(122)	121M1	A1-25	(29)	206V1	A2-7	(45)	241M1	B2-1	(86)
034V4	B3-14	(122)	122M1	A1-26	(30)	206V4	A2-7	(45)	241V1	B2-2	(87)
035M1	A1-18	(22)	130M1	A1-27	(31)	208M1	A3-9	(59)	242M1	B3-1	(109)
035M4	A1-18	(22)	130M4	A1-27	(31)	209M1	A3-1	(51)	242V1	B3-2	(110)
036M1	A1-19	(23)	130N1	A1-28	(32)	213V1	A2-4	(42)	243V1	B3-2	(110)
036M4	A1-19	(23)	130N4	A1-28	(32)	214M1	A2-3	(41)	246V1	B2-6	(91)
036N1	A1-20	(24)	131M1	A1-29	(33)	214V1	A2-4	(42)	247M1	B2-5	(90)
036N4	A1-20	(24)	131M4	A1-29	(33)	215M1	A3-7	(57)	247V1	B2-6	(91)
036V1	A1-21	(25)	132M1	A1-30	(34)	215M4	A3-7	(57)	248M1	B3-5	(113)
036V4	A1-21	(25)	132M4	A1-30	(34)	215V1	A3-6	(56)	248V1	B3-6	(114)
037M1	B2-20	(105)	132N1	A1-31	(35)	215V4	A3-6	(56)	249V1	B3-6	(114)
037M4	B2-20	(105)	132N4	A1-31	(35)	216M1	A3-4	(54)	503M1	A5-1	(63)

red coloured:  
New mounting forms

further information  
page MFT-2

# Mounting Form Table



Mtg. form	Page	Mtg. form	Page	Mtg. form	Page	Mtg. form	Page
E001.	C1-11 (143)	AVC2-.	B3-23 (131)	FAZ2-....	D2-1 (147)		
R001.	A2-12 (50)	AVC2-.	D1-2 (146)	FAS2-....	D2-2 (148)		
S001.	A2-11 (49)	AVD2	B2-23 (108)	FBS2-....	D2-2 (148)		
U001.	A4-2 (61)	AVD2	D1-1 (145)	218098	D3-1 (149)		

red coloured:  
New mounting forms

## Section A

	Page	
	from	to
<b>Four hole mounting</b>	<b>A1-1</b>	<b>A1-34</b>
<b>Single hole mounting <math>\varnothing</math> 22,5 mm</b>	<b>A2-1</b>	<b>A2-12</b>
<b>Single hole mounting <math>\varnothing</math> 30,5 mm</b>	<b>A3-1</b>	<b>A3-9</b>
<b>Wall mounting</b>	<b>A4-1</b>	<b>A4-3</b>
<b>Two hole mounting</b>	<b>A5-1</b>	<b>A5-10</b>

---

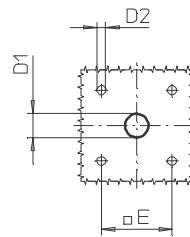
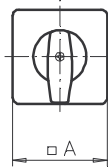
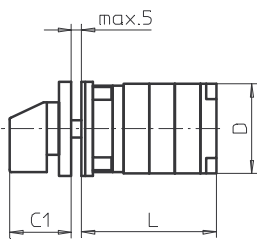
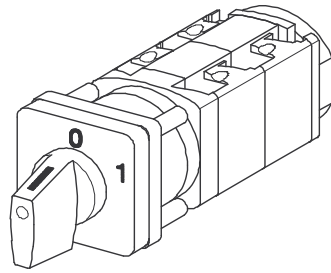
**Originator: Sälzer Electric GmbH · Product Data Management (PDM) · 09306 Rochlitz (Germany)**

Copyright reserved by Sälzer Electric GmbH. This document replaces all previous issues.

Valid until a new version is published. Changes and revisions reserved.

# Front Mounting Switches

**sälzer**



**Product line  
P200**

**Front mounting switch**

**Four hole mounting  
36 x 36 mm**

**003M1 (IP66)**

Complete switch	Poles	Product line	Rated data (IEC 60947)			Order code number
			Operational current I <sub>e</sub>	Operational power at 380–440 V		
			AC-21A A	AC-23A kW	AC-3 kW	
Rotary Cam Switches Switching angle 30°/45°/60°/90°	1 ... 24	P200	20 25	7,5 11	5,5 7,5	<b>P220 - 61 ... - 003M1</b> <b>P225 - 61 ... - 003M1</b>

### SMD modules for basic switch A01

Mounting form module for 003M1

P200

**BFB2 - 003**

M-operator module 48 x 48 mm, mounting form 003M1

**2AM1**

Escutcheon black, handle black

Legend plate silver, operator module 003M1

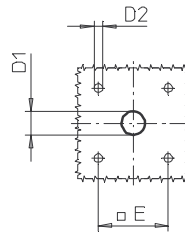
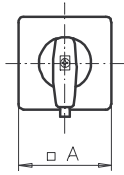
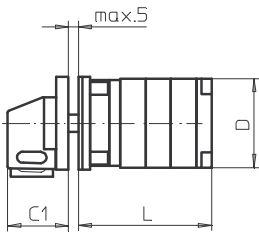
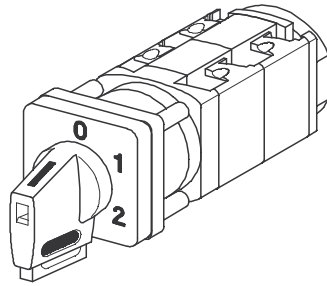
**FAS2 - .... (FA number)**

### Dimensions (mm)

Type	A	C1	D	D1	D2	E	L with ... stages (max. 12)							each add. stage
							1	2	3	4	5	6	7	
P220	48	32	44	12	4,5	36	47	60	73	86	99	112	125	13
P221	48	32	44	12	4,5	36	50,5	67	83,5	100	116,5	133	149,5	16,5
P225	48	32	46	12	4,5	36	51	66	81	96	111	126	141	15
P226	48	32	46	12	4,5	36	54,5	73	91,5	110	128,5	147	165,5	18,5

# Front Mounting Switches

**sälzer**



**Product line  
P200**

**Front mounting switch**

**Four hole mounting  
36 x 36 mm**

**003V1 (IP66)**

**004V1 (IP66)**

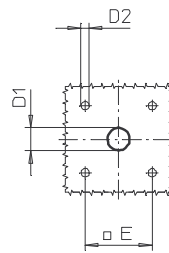
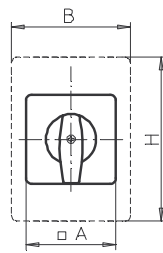
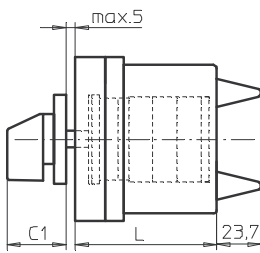
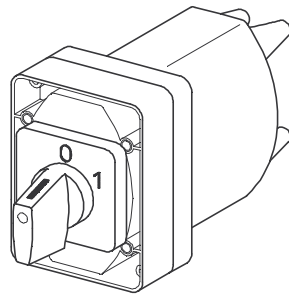
Complete switch	Poles	Product line	Rated data (IEC 60947)			Order code number
			Operational current I <sub>e</sub>	Operational power at 380–440 V		
			AC-21A A	AC-23A kW	AC-3 kW	
Rotary Cam Switches Switching angle 30°/45°/60°/90° Padlockable 12h	1 ... 24	P200	20	7,5	5,5	<b>P220 - 61 ... - 003V1</b>
			25	11	7,5	<b>P225 - 61 ... - 003V1</b>
Rotary Cam Switches Switching angle 90° 3 positions padlockable (09h/12h/03h)	1 ... 24	P200	20	7,5	5,5	<b>P220 - 61 ... - 004V1</b>
			25	11	7,5	<b>P225 - 61 ... - 004V1</b>

SMD modules for basic switch A01			
Mounting form module for 003V1/ 004V1		P200	<b>BFB2 - 003</b>
V-operator module 48 x 48 mm, mounting form 003V1 Escutcheon black, handle black			<b>2AV1 - 12</b>
V-operator module 48 x 48 mm, mounting form 004V1 Escutcheon black, handle black			<b>2AV1 - 99</b>
Legend plate silver, operator module 003V1/ 004V1			<b>FAS2 - .... (FA number)</b>

Dimensions (mm)														
Type	A	C1	D	D1	D2	E	L with ... stages (max. 12)							each add. stage
							1	2	3	4	5	6	7	
P220	48	32	44	12	4,5	36	47	60	73	86	99	112	125	13
P221	48	32	44	12	4,5	36	50,5	67	83,5	100	116,5	133	149,5	16,5
P225	48	32	46	12	4,5	36	51	66	81	96	111	126	141	15
P226	48	32	46	12	4,5	36	54,5	73	91,5	110	128,5	147	165,5	18,5

# Front Mounting Switches

**sälzer**



**Product line  
P200**

**Front mounting switch**  
With dust protection cover

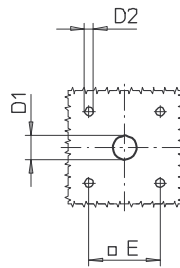
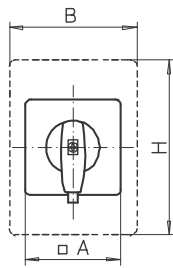
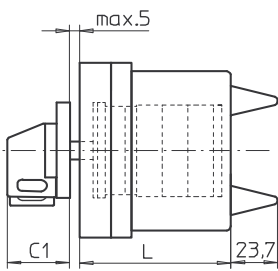
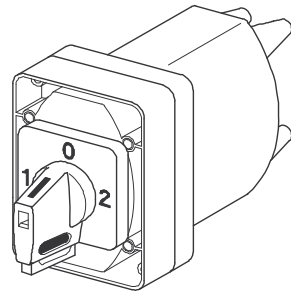
**Four hole mounting**  
36 x 36 mm

**005M1 (IP66)**

Complete switch	Poles	Product line	Rated data (IEC 60947)			Order code number				
			Operational current I <sub>e</sub>	Operational power at 380–440 V						
			AC-21A A	AC-23A kW	AC-3 kW					
Rotary Cam Switches	1 ... 6	P200	20	7,5	5,5	<b>P220 - 61 ... - 005M1</b>				
Switching angle 30°/45°/60°/90°	1 ... 4		25	11	7,5	<b>P225 - 61 ... - 005M1</b>				
<b>SMD modules for basic switch A01</b>										
Mounting form module for 005M1			P200			<b>BFA2 - 005</b>				
M-operator module 48 x 48 mm, mounting form 005M1						<b>2AM1</b>				
Escutcheon black, handle black										
Legend plate silver, operator module 005M1						<b>FAS2 - ....</b>				
<b>Dimensions (mm)</b>										
Type	A	B	C1	D1	D2	E	H	L with ... stages		
								1	2	3
P220	48	64	32	12	4,5	36	88	80	80	80
P221	48	64	32	12	4,5	36	88	80	80	-
P225	48	64	32	12	4,5	36	88	80	80	-
P226	48	64	32	12	4,5	36	88	80	80	-

# Front Mounting Switches

# sälzer



**Product line**  
**P200**

**Front mounting switch**  
With dust protection cover

**Four hole mounting**  
36 x 36 mm

**005V1 (IP66)**

**139V1 (IP66)**

Complete switch	Poles	Product line	Rated data (IEC 60947)			Order code number
			Operational current I <sub>e</sub>	Operational power at 380–440 V		
			AC-21A A	AC-23A kW	AC-3 kW	
Rotary Cam Switches Switching angle 30°/45°/60°/90° Padlockable 12h	1 ... 6*	P200	20	7,5	5,5	<b>P220 - 61 ... - 005V1</b>
	1 ... 4		25	11	7,5	<b>P225 - 61 ... - 005V1</b>
Rotary Cam Switches Switching angle 90° 3 positions padlockable (09h/12h/03h)	1 ... 6*	P200	20	7,5	5,5	<b>P220 - 61 ... - 139V1</b>
	1 ... 4		25	11	7,5	<b>P225 - 61 ... - 139V1</b>

\* For P220

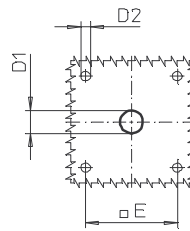
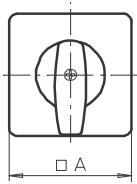
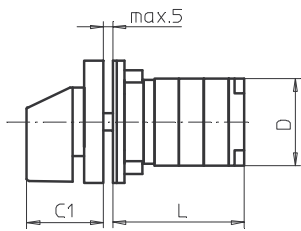
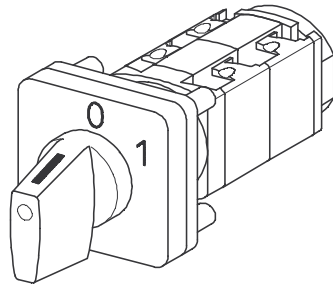
SMD modules for basic switch A01			
Mounting form module for 005V1/ 139V1		P200	<b>BFA2 - 005</b>
V-operator module 48 x 48 mm, mounting form 005V1 Escutcheon black, handle black			<b>2AV1 - 12</b>
V-operator module 48 x 48 mm, mounting form 139V1 Escutcheon black, handle black			<b>2AV1 - 99</b>
Legend plate silver, operator module 005V1/ 139V1			<b>FAS2 - .... (FA number)</b>

Dimensions (mm)										
Type	A	B	C1	D1	D2	E	H	L with ... stages		
								1	2	3
P220	48	64	32	12	4,5	36	88	80	80	80
P221	48	64	32	12	4,5	36	88	80	80	-
P225	48	64	32	12	4,5	36	88	80	80	-
P226	48	64	32	12	4,5	36	88	80	80	-



# Front Mounting Switches

# sälzer



**Product line**  
**P200**

**Front mounting switch**  
Operator module of next size

**Four hole mounting**  
48 x 48 mm

**013M1 (IP66)**

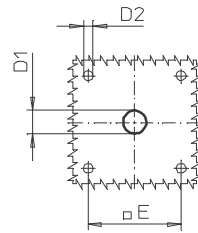
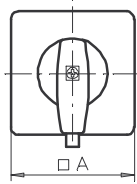
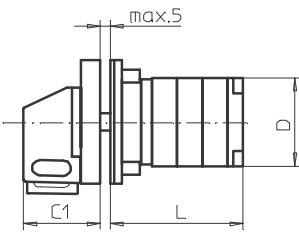
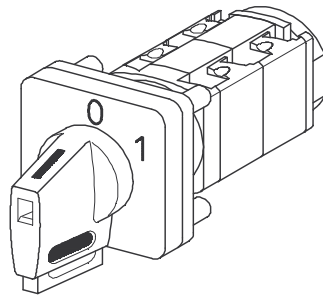
Complete switch	Poles	Product line	Rated data (IEC 60947)			Order code number
			Operational current I <sub>e</sub>	Operational power at 380–440 V		
			AC-21A A	AC-23A kW	AC-3 kW	
Rotary Cam Switches Switching angle 30°/45°/60°/90°	1 ... 24	P200	20 25	7,5 11	5,5 7,5	<b>P220 - 61 ... - 013M1</b> <b>P225 - 61 ... - 013M1</b>

SMD modules for basic switch A01			
Mounting form module for 013M1		P200	<b>BFB2 - 013</b>
M-operator module 64 x 64 mm, mounting form 013M1			<b>4AM1</b>
Escutcheon black, handle black			
Legend plate silver, operator module 013M1			<b>FAS4 - .... (FA number)</b>

Type	Dimensions (mm)						L with ... stages (max. 12)							each add. stage
	A	C1	D	D1	D2	E	1	2	3	4	5	6	7	
P220	64	39	44	15	5	48	47	60	73	86	99	112	125	13
P221	64	39	44	15	5	48	50,5	67	83,5	100	116,5	133	149,5	16,5
P225	64	39	46	15	5	48	51	66	81	96	111	126	141	15
P226	64	39	46	15	5	48	54,5	73	91,5	110	128,5	147	165,5	18,5

# Front Mounting Switches

**sälzer**



**Product line  
P200**

**Front mounting switch**  
Operator module of next size

**Four hole mounting**  
48 x 48 mm

**013V1 (IP66)**  
**014V1 (IP66)**

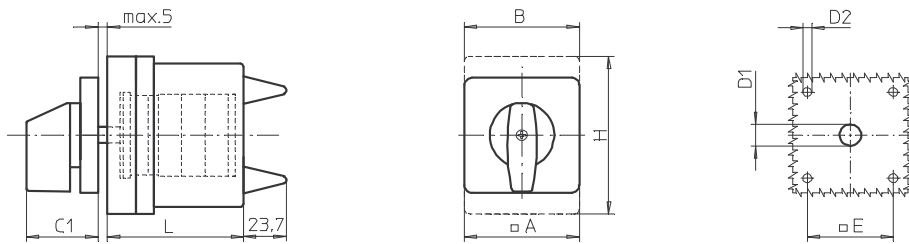
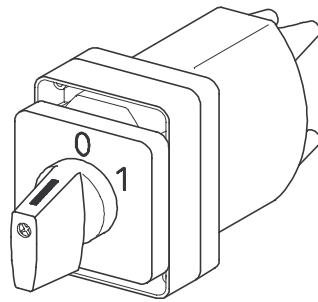
Complete switch	Poles	Product line	Rated data (IEC 60947)			Order code number
			Operational current I <sub>e</sub>	Operational power at 380–440 V		
			AC-21A A	AC-23A kW	AC-3 kW	
Rotary Cam Switches Switching angle 30°/45°/60°/90° Padlockable 12h	1 ... 24	P200	20 25	7,5 11	5,5 7,5	<b>P220 - 61 ... - 013V1</b> <b>P225 - 61 ... - 013V1</b>
Rotary Cam Switches Switching angle 30°/45°/60°/90° 3 positions padlockable (09h/12h/03h)	1 ... 24	P200	20 25	7,5 11	5,5 7,5	<b>P220 - 61 ... - 014V1</b> <b>P225 - 61 ... - 014V1</b>

SMD modules for basic switch A01			
Mounting form module for 013V1/ 014V1		P200	<b>BFB2 - 013</b>
V-operator module 64 x 64 mm, mounting form 013V1 Escutcheon black, handle black			<b>4AV1 - 12</b>
V-operator module 64 x 64 mm, mounting form 014V1 Escutcheon black, handle black			<b>4AV1 - 99</b>
Legend plate silver, operator module 013V1/ 014V1			<b>FAS4 - .... (FA number)</b>

Type	Dimensions (mm)						L with ... stages (max. 12)							each add. stage
	A	C1	D	D1	D2	E	1	2	3	4	5	6	7	
P220	64	39	44	15	5	48	47	60	73	86	99	112	125	13
P221	64	39	44	15	5	48	50,5	67	83,5	100	116,5	133	149,5	16,5
P225	64	39	46	15	5	48	51	66	81	96	111	126	141	15
P226	64	39	46	15	5	48	54,5	73	91,5	110	128,5	147	165,5	18,5

# Front Mounting Switches

**sälzer**



**Product line  
P200**

**Front mounting switch**  
With dust protection cover  
Operator module of next size

**Four hole mounting**  
48 x 48 mm

**015M1 (IP66)**

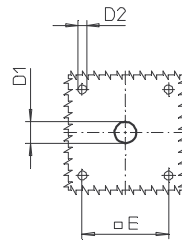
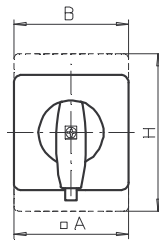
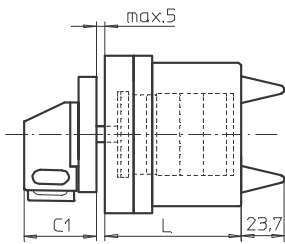
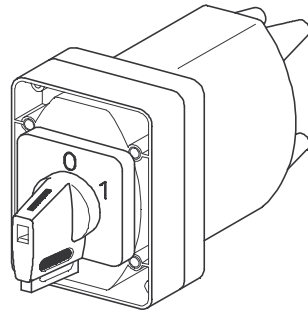
Complete switch	Poles	Product line	Rated data (IEC 60947)			Order code number
			Operational current I <sub>e</sub>	Operational power at 380–440 V		
			AC-21A A	AC-23A kW	AC-3 kW	
Rotary Cam Switches	1 ... 6	P200	20	7,5	5,5	<b>P220 - 61 ... - 015M1</b>
Switching angle 30°/45°/60°/90°	1 ... 4		25	11	7,5	<b>P225 - 61 ... - 015M1</b>

SMD modules for basic switch A01			
Mounting form module for 015M1		P200	<b>BFA2 - 015</b>
M-operator module 64 x 64 mm, mounting form 015M1			<b>4AM1</b>
Escutcheon black, handle black			<b>FAS4 - .... (FA number)</b>
Legend plate silver, operator module 015M1			

Dimensions (mm)										
Type	A	B	C1	D1	D2	E	H	L with ... stages		
								1	2	3
P220	64	64	39	15	5	48	88	80	80	80
P221	64	64	39	15	5	48	88	80	80	-
P225	64	64	39	15	5	48	88	80	80	-
P226	64	64	39	15	5	48	88	80	80	-

# Front Mounting Switches

**sälzer**



**Product line  
P200**

**Front mounting switch**  
With dust protection cover  
Operator module of next size

**Four hole mounting**  
48 x 48 mm

**015V1 (IP66)**

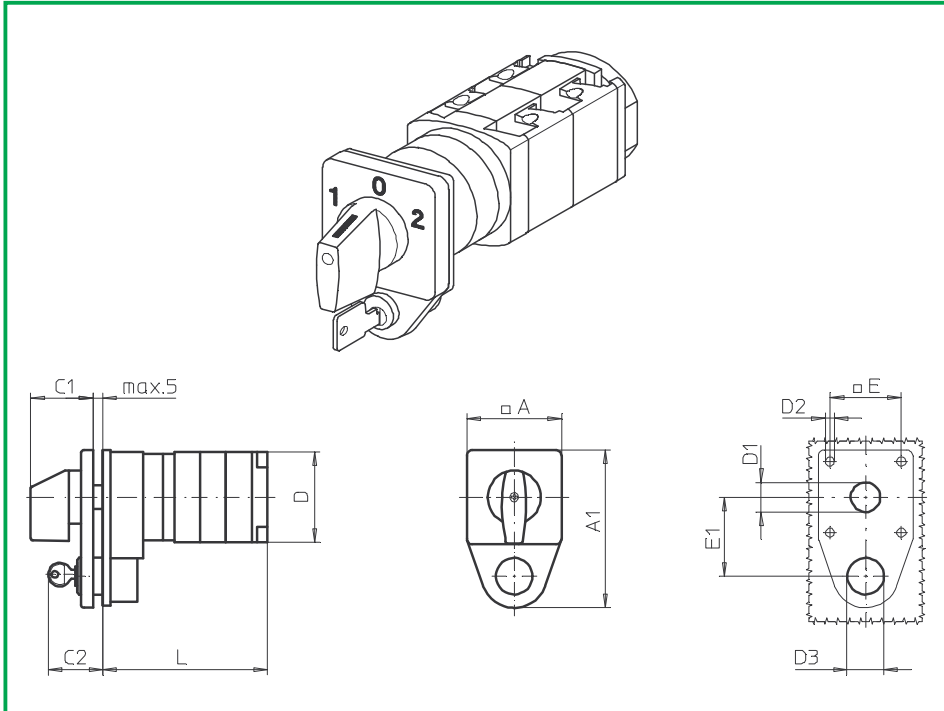
Complete switch	Poles	Product line	Rated data (IEC 60947)			Order code number
			Operational current I <sub>e</sub>	Operational power at 380–440 V		
			AC-21A A	AC-23A kW	AC-3 kW	
Rotary Cam Switches	1 ... 6	P200	20	7,5	5,5	<b>P220 - 61 ... - 015V1</b>
Switching angle 30°/45°/60°/90°	1 ... 4		25	11	7,5	<b>P225 - 61 ... - 015V1</b>
Padlockable 12h						

SMD modules for basic switch A01			
Mounting form module for 015V1		P200	<b>BFA2 - 015</b>
V-operator module 64 x 64 mm, mounting form 015V1			<b>4AV1 - 12</b>
Escutcheon black, handle black			<b>FAS4 - .... (FA number)</b>
Legend plate silver, operator module 015V1			

Dimensions (mm)										
Type	A	B	C1	D1	D2	E	H	L with ... stages		
								1	2	3
P220	64	64	39	15	5	48	88	80	80	80
P221	64	64	39	15	5	48	88	80	80	-
P225	64	64	39	15	5	48	88	80	80	-
P226	64	64	39	15	5	48	88	80	80	-

# Front Mounting Switches

**sälzer**



**Product line  
P200**

**Front mounting switch**  
with cylinder lock device  
Key number CL1

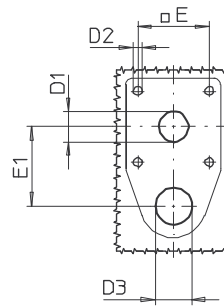
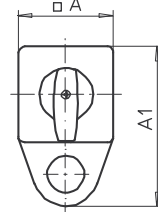
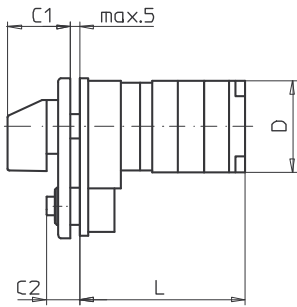
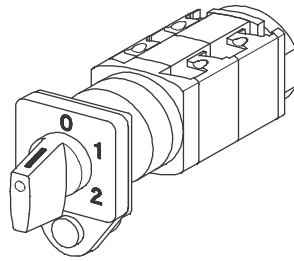
**Four hole mounting**  
36 x 36 mm

**060M1 (IP40)**

Complete switch	Poles	Product line	Rated data (IEC 60947)			Order code number									
			Operational current I <sub>e</sub>	Operational power at 380–440 V											
			AC-21A A	AC-23A kW	AC-3 kW										
Rotary Cam Switches Switching angle 30°/45°/60°/90°	1 ... 24	P200	20 25	7,5 11	5,5 7,5	<b>P220 - 61 ... - 060M1</b> <b>P225 - 61 ... - 060M1</b>									
Position „OFF“ or start position locked, 2 keys															
Other locking arrangements available, please specify upon request.															
2 keys, key number CL1 Key removable only when switch is locked															
<b>SMD modules for basic switch A01</b>															
Mounting form module for 060M1				P200		<b>BFA2 - 060</b>									
M-operator module, mounting form 060M1						<b>2OM1</b>									
Escutcheon black, handle black															
Legend plate silver, operator module 060M1						<b>FAS2 - .... (FA number)</b>									
<b>Dimensions (mm)</b>															
<b>Type</b>	<b>A</b>	<b>A1</b>	<b>C1</b>	<b>C2</b>	<b>D</b>	<b>D1</b>	<b>D2</b>	<b>D3</b>	<b>E</b>	<b>E1</b>	L with ... stages (max. 12)				<b>each add. stage</b>
P220	48	80	32	40	46	15	4,5	19	36	40	1	2	3	4	13
P221	48	80	32	40	46	15	4,5	19	36	40	64,5	81	97,5	114	16,5
P225	48	80	32	40	48	15	4,5	19	36	40	65	80	95	110	15
P226	48	80	32	40	50	15	4,5	19	36	40	68,5	87	105,5	124	18,5

# Front Mounting Switches

**sälzer**



**Product line  
P200**

**Front mounting switch**  
Push-button operated  
safety interlock

**Four hole mounting**  
36 x 36 mm

**062M1 (IP40)**

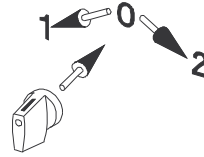
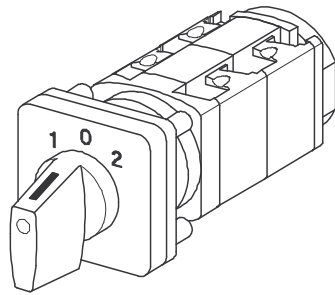
Complete switch	Poles	Product line	Rated data (IEC 60947)			Order code number
			Operational current I <sub>e</sub>	Operational power at 380–440 V		
			AC-21A A	AC-23A kW	AC-3 kW	
Rotary Cam Switches Switching angle 30°/45°/60°/90°	1 ... 24	P200	20 25	7,5 11	5,5 7,5	<b>P220 - 61 ... - 062M1</b> <b>P225 - 61 ... - 062M1</b>
Position „OFF“ or start position locked, 2 keys						
Other locking arrangements available, please specify upon request.						
Dual action push button safety interlock						

SMD modules for basic switch A01	Product line	Order code number
Mounting form module for 062M1	P200	<b>BFA2 - 062</b>
M-operator module, mounting form 062M1		<b>2OM1</b>
Escutcheon black, handle black		
Legend plate silver, operator module 062M1		<b>FAS2 - .... (FA number)</b>

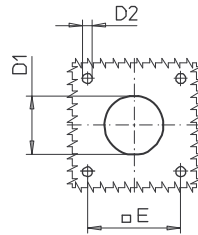
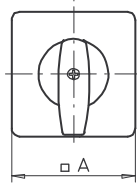
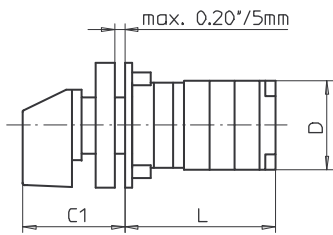
Type	Dimensions (mm)										L with ... stages (max. 12)				each add. stage
	A	A1	C1	C2	D	D1	D2	D3	E	E1	1	2	3	4	
P220	48	80	32	40	46	15	4,5	19	36	40	61	74	87	100	13
P221	48	80	32	40	46	15	4,5	19	36	40	64,5	81	97,5	114	16,5
P225	48	80	32	40	48	15	4,5	19	36	40	65	80	95	110	15
P226	48	80	32	40	50	15	4,5	19	36	40	68,5	87	105,5	124	18,5

# Front Mounting Switches

**sälzer**



2. Push handle in starting position at 12h, then turn to position 1 or position 2 where required.



**Product line  
P200**

**Front mounting switch**

**Four hole mounting**  
36 x 36 mm

**Push-To-Turn**  
Adaptor  $\varnothing$  22,5 mm

**064M1 (IP40)**

Complete switch	Poles	Product line	Rated data (IEC 60947)			Order code number
			Operational current $I_e$	Operational power at 380–440 V		
			AC-21A A	AC-23A kW	AC-3 kW	
Rotary Cam Switches	1 ... 16	P200	20 25	7,5 11	5,5 7,5	<b>P220 - 61 ... - 064M1</b> <b>P225 - 61 ... - 064M1</b>
45° spring return to both direction, spring return to OFF						
Other switching angle or function for spring return and stay-put on request.						

### SMD modules for basic switch A01

Mounting form module for 064M1	P200	<b>BFA2 - 064</b>
M-operator module 48 x 48 mm, mounting form 064M1		<b>2PM1 - 12</b>
Escutcheon black, M-handle black		
Legend plate silver, operator module 064M1		<b>FAV2 - .... (FA number)</b>

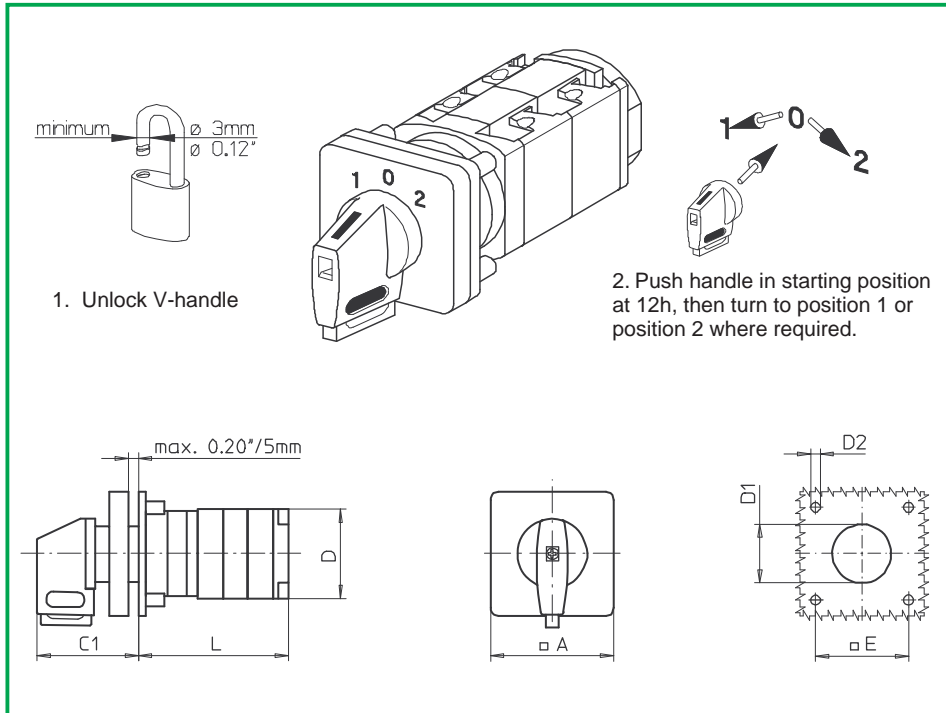
### Dimensions (mm)

Type	A	C1	D	D1*	D2	E	L with ... stages (max. 8)							
							1	2	3	4	5	6	7	8
P220	48	45	44	22,5	4,5	36	56	69	82	95	108	121	134	147
P221	48	45	44	22,5	4,5	36	59,5	76	92,5	109	125,5	142	158,5	175
P225	48	45	46	22,5	4,5	36	60	75	90	105	120	135	150	165
P226	48	45	46	22,5	4,5	36	63,5	82	100,5	119	137,5	156	174,5	193

\*) hole tool for single hole mounting  $\varnothing$  22,5 mm can be used.

# Front Mounting Switches

# sälzer



**Product line  
P200**

**Front mounting switch**

**Four hole mounting**  
36 x 36 mm

**Push-To-Turn**  
Adaptor  $\varnothing$  22,5 mm

**064V1 (IP40)**

Complete switch	Poles	Product line	Rated data (IEC 60947)			Order code number
			Operational current $I_e$	Operational power at 380–440 V		
			AC-21A A	AC-23A kW	AC-3 kW	
Rotary Cam Switches OFF position padlockable	1 ... 16	P200	20 25	7,5 11	5,5 7,5	<b>P220 - 61 ... - 064V1</b> <b>P225 - 61 ... - 064V1</b>
45° spring return to both direction, spring return to OFF						
Other switching angle or function for spring return and stay-put on request.						

SMD modules for basic switch A01			
Mounting form module for 064V1		P200	<b>BFA2 - 064</b>
V-operator module 48 x 48 mm, mounting form 064V1			<b>2PV1 - 12</b>
Escutcheon black, V-handle black			
Legend plate silver, operator module 064V1			<b>FAV2 - .... (FA number)</b>

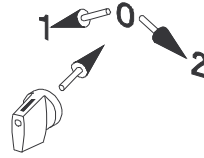
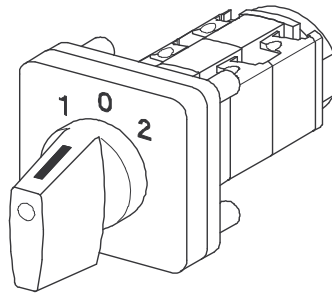
Dimensions (mm)														
Type	A	C1	D	D1*	D2	E	L with ... stages (max. 8)							
							1	2	3	4	5	6	7	8
P220	48	45	44	22,5	4,5	36	56	69	82	95	108	121	134	147
P221	48	45	44	22,5	4,5	36	59,5	76	92,5	109	125,5	142	158,5	175
P225	48	45	46	22,5	4,5	36	60	75	90	105	120	135	150	165
P226	48	45	46	22,5	4,5	36	63,5	82	100,5	119	137,5	156	174,5	193

\*) hole tool for single hole mounting  $\varnothing$  22,5 mm can be used.

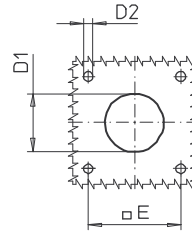
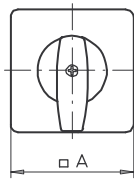
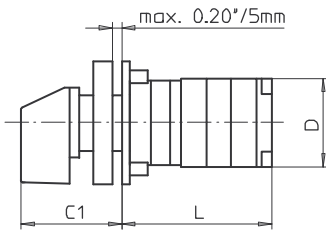


# Front Mounting Switches

# sälzer



2. Push handle in starting position at 12h, then turn to position 1 or position 2 where required.



**Product line**  
**P200**

**Front mounting switch**  
Operator module of next size

**Four hole mounting**  
48 x 48 mm

**Push-To-Turn**  
Adaptor  $\varnothing$  30,5 mm

**065M1 (IP40)**

Complete switch	Poles	Product line	Rated data (IEC 60947)			Order code number
			Operational current $I_e$	Operational power at 380–440 V		
			AC-21A A	AC-23A kW	AC-3 kW	
Rotary Cam Switches	1 ... 16	P200	20 25	7,5 11	5,5 7,5	<b>P220 - 61 ... - 065M1</b> <b>P225 - 61 ... - 065M1</b>

45° spring return to both direction, spring return to OFF

Other switching angle or function for spring return and stay-put on request.

### SMD modules for basic switch A01

Mounting form module for 065M1

P200

**BFA2 - 065**

M-operator module 64 x 64 mm, mounting form 065M1

**4PM1 - 12**

Escutcheon black, M-handle black

Legend plate silver, operator module 065M1

**FAS4 - .... (FA number)**

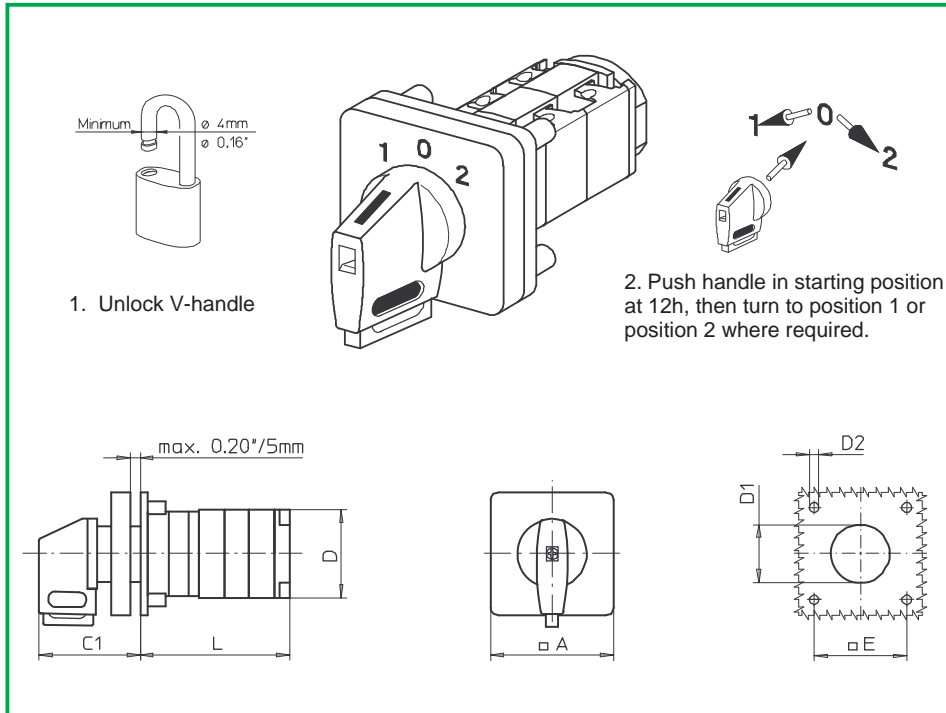
### Dimensions (mm)

Type	A	C1	D	D1*	D2	E	L with ... stages (max. 8)							
							1	2	3	4	5	6	7	8
P220	64	53	44	30,5	5	48	56	69	82	95	108	121	134	147
P221	64	53	44	30,5	5	48	59,5	76	92,5	109	125,5	142	158,5	175
P225	64	53	46	30,5	5	48	60	75	90	105	120	135	150	165
P226	64	53	46	30,5	5	48	63,5	82	100,5	119	137,5	156	174,5	193

\*) hole tool for single hole mounting  $\varnothing$  30,5 mm can be used.

# Front Mounting Switches

# sälzer



**Product line**  
**P200**

**Front mounting switch**  
Operator module of next size

**Four hole mounting**  
48 x 48 mm

**Push-To-Turn**  
Adaptor  $\varnothing$  30,5 mm

**065V1 (IP40)**

Complete switch	Poles	Product line	Rated data (IEC 60947)			Order code number
			Operational current $I_e$	Operational power at 380–440 V		
			AC-21A A	AC-23A kW	AC-3 kW	
Rotary Cam Switches OFF position padlockable	1 ... 16	P200	20 25	7,5 11	5,5 7,5	<b>P220 - 61 ... - 065V1</b> <b>P225 - 61 ... - 065V1</b>
45° spring return to both direction, spring return to OFF						
Other switching angle or function for spring return and stay-put on request.						

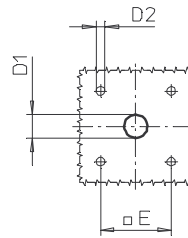
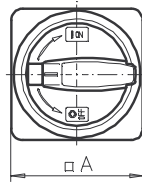
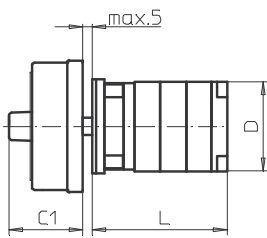
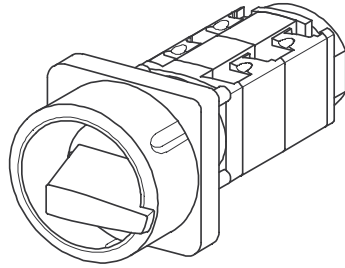
SMD modules for basic switch A01			
Mounting form module for 065V1		P200	<b>BFA2 - 065</b>
V-operator module 64 x 64 mm, mounting form 065V1			<b>4PV1 - 12</b>
Escutcheon black, V-handle black			
Legend plate silver, operator module 065V1			<b>FAS4 - .... (FA number)</b>

Dimensions (mm)														
Type	A	C1	D	D1*	D2	E	L with ... stages (max. 8)							
							1	2	3	4	5	6	7	8
P220	64	53	44	30,5	5	48	56	69	82	95	108	121	134	147
P221	64	53	44	30,5	5	48	59,5	76	92,5	109	125,5	142	158,5	175
P225	64	53	46	30,5	5	48	60	75	90	105	120	135	150	165
P226	64	53	46	30,5	5	48	63,5	82	100,5	119	137,5	156	174,5	193

\*) hole tool for single hole mounting  $\varnothing$  30,5 mm can be used.

# Front Mounting Switches

**sälzer**



**Product line  
P200**

**Front mounting switch**

**Four hole mounting**  
36 x 36 mm

**033M1 (IP66)**

**033M4 (IP66)**

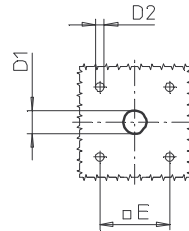
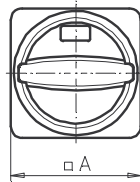
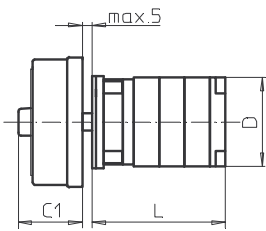
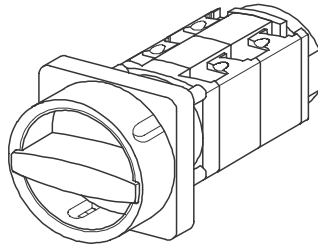
Complete switch	Poles	Product line	Rated data (IEC 60947)			Order code number
			Operational current I <sub>e</sub>	Operational power at 380–440 V		
			AC-21A A	AC-23A kW	AC-3 kW	
Main Switches Switching angle 90° OFF position padlockable 09h	1 ... 24	P200	20	7,5	5,5	<b>P220 - 61 ... - 033M1</b>
			25	11	7,5	<b>P225 - 61 ... - 033M1</b>
Main/Emergency-Off Switches Switching angle 90° OFF position padlockable 09h	1 ... 24	P200	20	7,5	5,5	<b>P220 - 61 ... - 033M4</b>
			25	11	7,5	<b>P225 - 61 ... - 033M4</b>

SMD modules for basic switch A01		
Mounting form module for 033M.	P200	<b>BFB2 - 033</b>
M-padlock device 67 x 67 mm, mounting form 033M1 Escutcheon black, padlockable handle black		<b>2CM1</b>
M-padlock device 67 x 67 mm, mounting form 033M4 Escutcheon yellow, padlockable handle red		<b>2CM4</b>

Type	Dimensions (mm)						L with ... stages (max. 12)							each add. stage
	A	C1	D	D1	D2	E	1	2	3	4	5	6	7	
P220	67	38	44	15	4,5	36	47	60	73	86	99	112	125	13
P221	67	38	44	15	4,5	36	50,5	67	83,5	100	116,5	133	149,5	16,5
P225	67	38	46	15	4,5	36	51	66	81	96	111	126	141	15
P226	67	38	46	15	4,5	36	54,5	73	91,5	110	128,5	147	165,5	18,5

# Front Mounting Switches

**sälzer**



**Product line  
P200**

**Front mounting switch**

**Four hole mounting  
36 x 36 mm**

**033N1 (IP66)**

**033N4 (IP66)**

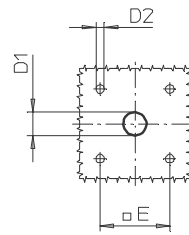
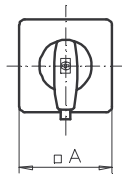
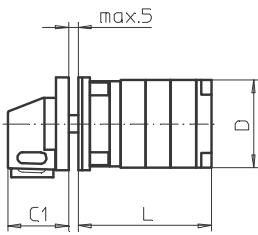
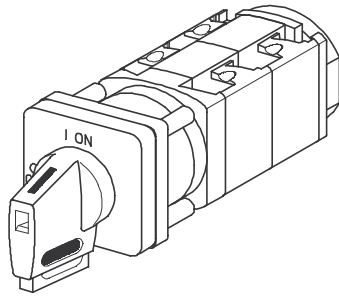
Complete switch	Poles	Product line	Rated data (IEC 60947)			Order code number
			Operational current I <sub>e</sub>	Operational power at 380–440 V		
			AC-21A A	AC-23A kW	AC-3 kW	
Main Switches Switching angle 90° OFF position padlockable 09h	1 ... 24	P200	20	7,5	5,5	<b>P220 - 61 ... - 033N1</b>
			25	11	7,5	<b>P225 - 61 ... - 033N1</b>
Main/Emergency-Off Switches Switching angle 90° OFF position padlockable 09h	1 ... 24	P200	20	7,5	5,5	<b>P220 - 61 ... - 033N4</b>
			25	11	7,5	<b>P225 - 61 ... - 033N4</b>

SMD modules for basic switch A01			
Mounting form module for 033N.		P200	<b>BFB2 - 033</b>
N-padlock device 67 x 67 mm, mounting form 033N1 Escutcheon black, padlockable handle black			<b>2CN1</b>
N-padlock device 67 x 67 mm, mounting form 033N4 Escutcheon yellow, padlockable handle red			<b>2CN4</b>

Type	Dimensions (mm)						L with ... stages (max. 12)							each add. stage
	A	C1	D	D1	D2	E	1	2	3	4	5	6	7	
P220	67	33	44	15	4,5	36	47	60	73	86	99	112	125	13
P221	67	33	44	15	4,5	36	50,5	67	83,5	100	116,5	133	149,5	16,5
P225	67	33	46	15	4,5	36	51	66	81	96	111	126	141	15
P226	67	33	46	15	4,5	36	54,5	73	91,5	110	128,5	147	165,5	18,5

# Front Mounting Switches

**sälzer**



**Product line  
P200**

**Front mounting switch**

**Four hole mounting  
36 x 36 mm**

**033V1 (IP66)**

**033V4 (IP66)**

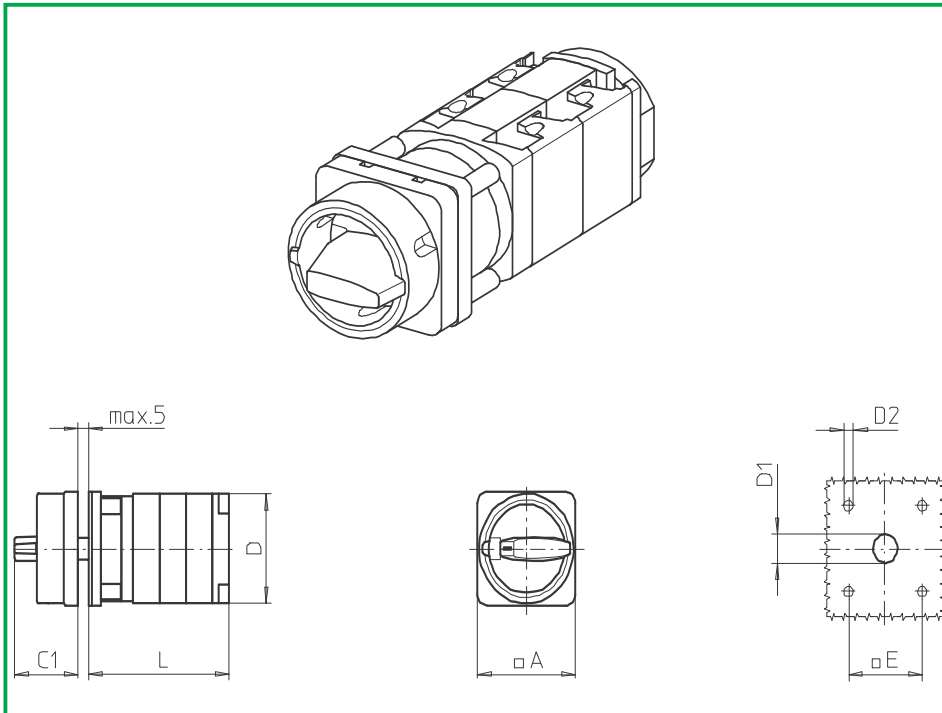
Complete switch	Poles	Product line	Rated data (IEC 60947)			Order code number
			Operational current I <sub>e</sub>	Operational power at 380–440 V		
			AC-21A A	AC-23A kW	AC-3 kW	
Main Switches Switching angle 90° OFF position padlockable 09h	1 ... 24	P200	20	7,5	5,5	<b>P220 - 61 ... - 033V1</b>
			25	11	7,5	<b>P225 - 61 ... - 033V1</b>
Main/Emergency-Off Switches Switching angle 90° OFF position padlockable 09h	1 ... 24	P200	20	7,5	5,5	<b>P220 - 61 ... - 033V4</b>
			25	11	7,5	<b>P225 - 61 ... - 033V4</b>

SMD modules for basic switch A01			
Mounting form module for 033V.		P200	<b>BFB2 - 003</b>
V-operator module 48 x 48 mm, mounting form 033V1 Escutcheon black, handle black			<b>2AV1 - 09</b>
Legend plate silver, operator module 033V1			<b>FAS2 - 9078</b>
V-operator module 48 x 48 mm, mounting form 033V4 Escutcheon black, handle red			<b>2AV4 - 09</b>
Legend plate yellow, operator module 033V4			<b>FBS2 - 9078</b>

Type	Dimensions (mm)						L with ... stages (max. 12)							each add. stage
	A	C1	D	D1	D2	E	1	2	3	4	5	6	7	
P220	48	32	44	12	4,5	36	47	60	73	86	99	112	125	13
P221	48	32	44	12	4,5	36	50,5	67	83,5	100	116,5	133	149,5	16,5
P225	48	32	46	12	4,5	36	51	66	81	96	111	126	141	15
P226	48	32	46	12	4,5	36	54,5	73	91,5	110	128,5	147	165,5	18,5

# Front Mounting Switches

**sälzer**



**Product line  
P200**

**Front mounting switch**

**Four hole mounting  
36 x 36 mm**

**035M1 (IP66)**

**035M4 (IP66)**

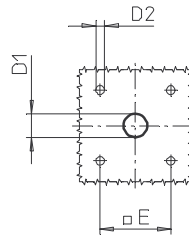
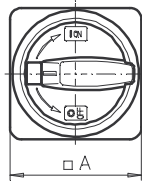
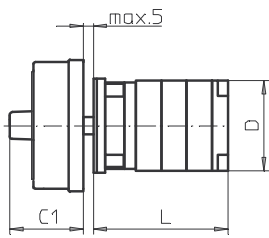
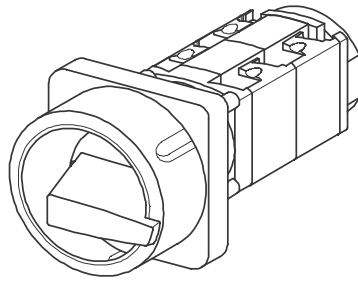
Complete switch	Poles	Product line	Rated data (IEC 60947)			Order code number
			Operational current I <sub>e</sub>	Operational power at 380–440 V		
			AC-21A A	AC-23A kW	AC-3 kW	
Main Switches Switching angle 90° OFF position padlockable 09h	1 ... 24	P200	20	7,5	5,5	<b>P220 - 61 ... - 035M1</b>
			25	11	7,5	<b>P225 - 61 ... - 035M1</b>
Main/Emergency-Off Switches Switching angle 90° OFF position padlockable 09h	1 ... 24	P200	20	7,5	5,5	<b>P220 - 61 ... - 035M4</b>
			25	11	7,5	<b>P225 - 61 ... - 035M4</b>

SMD modules for basic switch A01			
Mounting form module for 035M.		P200	<b>BFB2 - 003</b>
M-padlock device 48 x 48 mm, mounting form 035M1 Escutcheon black, padlockable handle black			<b>2BM1</b>
M-padlock device 48 x 48 mm, mounting form 035M4 Escutcheon yellow, padlockable handle red			<b>2BM4</b>

Type	Dimensions (mm)						L with ... stages (max. 12)							each add. stage
	A	C1	D	D1	D2	E	1	2	3	4	5	6	7	
P220	48	31	44	12	4,5	36	47	60	73	86	99	112	125	13
P221	48	31	44	12	4,5	36	50,5	67	83,5	100	116,5	133	149,5	16,5
P225	48	31	46	12	4,5	36	51	66	81	96	111	126	141	15
P226	48	31	46	12	4,5	36	54,5	73	91,5	110	128,5	147	165,5	18,5

# Front Mounting Switches

# sälzer



**Product line**  
**P200**

**Front mounting switch**  
Operator module of next size

**Four hole mounting**  
48 x 48 mm

**036M1 (IP66)**

**036M4 (IP66)**

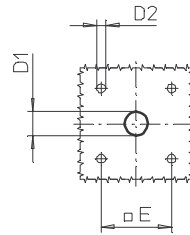
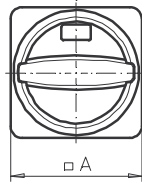
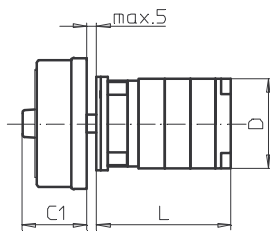
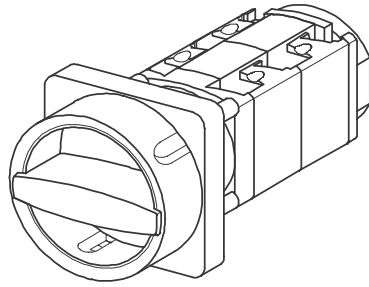
Complete switch	Poles	Product line	Rated data (IEC 60947)			Order code number
			Operational current I <sub>e</sub>	Operational power at 380–440 V		
			AC-21A A	AC-23A kW	AC-3 kW	
Main Switches Switching angle 90° OFF position padlockable 09h	1 ... 24	P200	20	7,5	5,5	<b>P220 - 61 ... - 036M1</b>
			25	11	7,5	<b>P225 - 61 ... - 036M1</b>
Main/Emergency-Off Switches Switching angle 90° OFF position padlockable 09h	1 ... 24	P200	20	7,5	5,5	<b>P220 - 61 ... - 036M4</b>
			25	11	7,5	<b>P225 - 61 ... - 036M4</b>

SMD modules for basic switch A01			
Mounting form module for 036M.		P200	<b>BFB2 - 036</b>
M-padlock device 67 x 67 mm, mounting form 036M1 Escutcheon black, padlockable handle black			<b>4BM1</b>
M-padlock device 67 x 67 mm, mounting form 036M4 Escutcheon yellow, padlockable handle red			<b>4BM4</b>

Type	Dimensions (mm)						L with ... stages (max. 12)							each add. stage
	A	C1	D	D1	D2	E	1	2	3	4	5	6	7	
P220	67	38	44	15	5	48	47	60	73	86	99	112	125	13
P221	67	38	44	15	5	48	50,5	67	83,5	100	116,5	133	149,5	16,5
P225	67	38	46	15	5	48	51	66	81	96	111	126	141	15
P226	67	38	46	15	5	48	54,5	73	91,5	110	128,5	147	165,5	18,5

# Front Mounting Switches

**sälzer**



**Product line  
P200**

**Front mounting switch**  
Operator module of next size

**Four hole mounting**  
48 x 48 mm

**036N1 (IP66)**

**036N4 (IP66)**

Complete switch	Poles	Product line	Rated data (IEC 60947)			Order code number
			Operational current I <sub>e</sub>	Operational power at 380–440 V		
			AC-21A A	AC-23A kW	AC-3 kW	
Main Switches Switching angle 90° OFF position padlockable 09h	1 ... 24	P200	20	7,5	5,5	<b>P220 - 61 ... - 036N1</b>
			25	11	7,5	<b>P225 - 61 ... - 036N1</b>
Main/Emergency-Off Switches Switching angle 90° OFF position padlockable 09h	1 ... 24	P200	20	7,5	5,5	<b>P220 - 61 ... - 036N4</b>
			25	11	7,5	<b>P225 - 61 ... - 036N4</b>

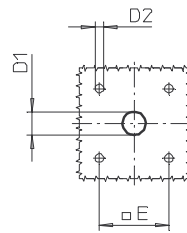
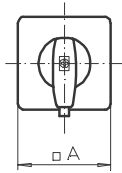
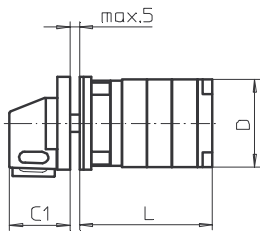
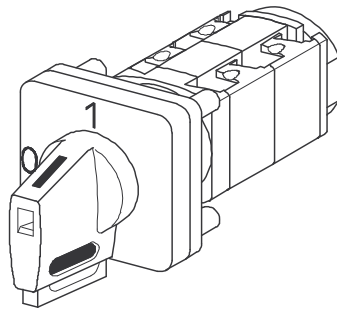
SMD modules for basic switch A01						
Mounting form module for 036N.					P200	<b>BFB2 - 036</b>
N-padlock device 67 x 67 mm, mounting form 036N1 Escutcheon black, padlockable handle black					P200	<b>4BN1</b>
N-padlock device 67 x 67 mm, mounting form 036N4 Escutcheon yellow, padlockable handle red						<b>4BN4</b>

Type	Dimensions (mm)						L with ... stages (max. 12)							each add. stage
	A	C1	D	D1	D2	E	1	2	3	4	5	6	7	
P220	67	33	44	15	5	48	47	60	73	86	99	112	125	13
P221	67	33	44	15	5	48	50,5	67	83,5	100	116,5	133	149,5	16,5
P225	67	33	46	15	5	48	51	66	81	96	111	126	141	15
P226	67	33	46	15	5	48	54,5	73	91,5	110	128,5	147	165,5	18,5



# Front Mounting Switches

**sälzer**



**Product line  
P200**

**Front mounting switch**  
Operator module of next size

**Four hole mounting**  
48 x 48 mm

**036V1 (IP66)**  
**036V4 (IP66)**

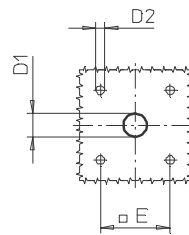
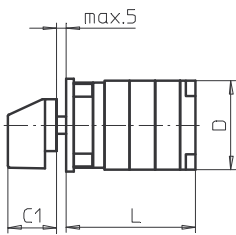
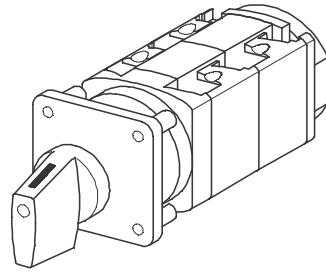
Complete switch	Poles	Product line	Rated data (IEC 60947)			Order code number
			Operational current I <sub>e</sub>	Operational power at 380–440 V		
			AC-21A A	AC-23A kW	AC-3 kW	
Main Switches Switching angle 90° OFF position padlockable 09h	1 ... 24	P200	20	7,5	5,5	<b>P220 - 61 ... - 036V1</b>
			25	11	7,5	<b>P225 - 61 ... - 036V1</b>
Main/Emergency-Off Switches Switching angle 90° OFF position padlockable 09h	1 ... 24	P200	20	7,5	5,5	<b>P220 - 61 ... - 036V4</b>
			25	11	7,5	<b>P225 - 61 ... - 036V4</b>

SMD modules for basic switch A01			
Mounting form module for 036V.		P200	<b>BFB2 - 013</b>
V-operator module 64 x 64 mm, mounting form 036V1 Escutcheon black, handle black			<b>4AV1 - 09</b>
Legend plate silver, operator module 036V1			<b>FAS4 - 9078</b>
V-operator module 64 x 64 mm, mounting form 036V4 Escutcheon black, handle red			<b>4AV4 - 09</b>
Legend plate yellow, operator module 036V4			<b>FBS4 - 9078</b>

Type	Dimensions (mm)						L with ... stages (max. 12)							each add. stage
	A	C1	D	D1	D2	E	1	2	3	4	5	6	7	
P220	64	39	44	15	5	48	47	60	73	86	99	112	125	13
P221	64	39	44	15	5	48	50,5	67	83,5	100	116,5	133	149,5	16,5
P225	64	39	46	15	5	48	51	66	81	96	111	126	141	15
P226	64	39	46	15	5	48	54,5	73	91,5	110	128,5	147	165,5	18,5

# Front Mounting Switches

**sälzer**



**Product line  
P200**

**Front mounting switch  
without escutcheon**

**Four hole mounting  
36 x 36 mm**

**103M1 (IP66)**

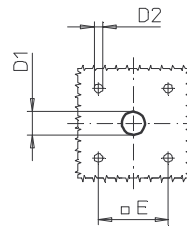
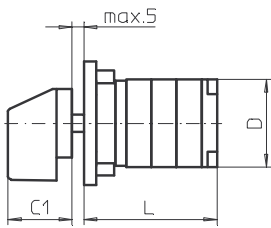
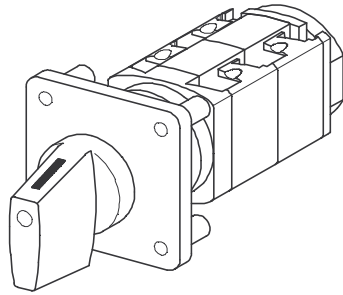
Complete switch	Poles	Product line	Rated data (IEC 60947)			Order code number
			Operational current I <sub>e</sub>	Operational power at 380–440 V		
			AC-21A A	AC-23A kW	AC-3 kW	
Rotary Cam Switches Switching angle 30°/45°/60°/90°	1 ... 24	P200	20 25	7,5 11	5,5 7,5	<b>P220 - 61 ... - 103M1</b> <b>P225 - 61 ... - 103M1</b>

SMD modules for basic switch A01			
Mounting form module for 103M1 (Shaft shortened by 5 mm)		P200	<b>BFB2 - 103</b>
M-handle black, mounting form 103M1 (Mounting without escutcheon and legend plate)			<b>2XM1</b>

Dimensions (mm)													
Type	C1	D	D1	D2	E	L with ... stages (max. 12)							each add. stage
						1	2	3	4	5	6	7	
P220	25	44	12	4,5	36	47	60	73	86	99	112	125	13
P221	25	44	12	4,5	36	50,5	67	83,5	100	116,5	133	149,5	16,5
P225	25	46	12	4,5	36	51	66	81	96	111	126	141	15
P226	25	46	12	4,5	36	54,5	73	91,5	110	128,5	147	165,5	18,5

# Front Mounting Switches

# sälzer



**Product line**  
**P200**

**Front mounting switch**  
Operator module of next size  
without escutcheon

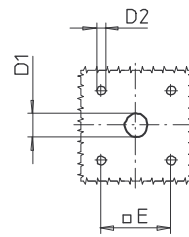
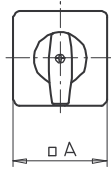
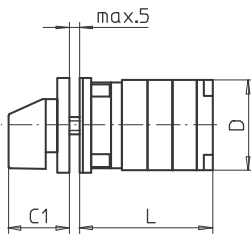
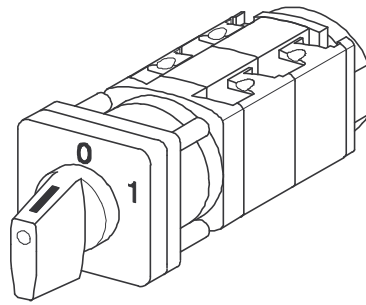
**Four hole mounting**  
48 x 48 mm

**113M1 (IP66)**

Complete switch	Poles	Product line	Rated data (IEC 60947)			Order code number							
			Operational current I <sub>e</sub>	Operational power at 380–440 V									
			AC-21A A	AC-23A kW	AC-3 kW								
Rotary Cam Switches Switching angle 30°/45°/60°/90°	1 ... 24	P200	20 25	7,5 11	5,5 7,5	<b>P220 - 61 ... - 113M1</b> <b>P225 - 61 ... - 113M1</b>							
<b>SMD modules for basic switch A01</b>													
Mounting form module for 113M1 (Shaft shortened by 5 mm)				P200		<b>BFB2 - 036</b>							
M-handle black, mounting form 113M1 (Mounting without escutcheon and legend plate)						<b>4XM1</b>							
<b>Dimensions (mm)</b>													
<b>Type</b>	<b>C1</b>	<b>D</b>	<b>D1</b>	<b>D2</b>	<b>E</b>	L with ... stages (max. 12)							<b>each add. stage</b>
						<b>1</b>	<b>2</b>	<b>3</b>	<b>4</b>	<b>5</b>	<b>6</b>	<b>7</b>	
P220	30	44	15	5	48	47	60	73	86	99	112	125	13
P221	30	44	15	5	48	50,5	67	83,5	100	116,5	133	149,5	16,5
P225	30	46	15	5	48	51	66	81	96	111	126	141	15
P226	30	46	15	5	48	54,5	73	91,5	110	128,5	147	165,5	18,5

# Front Mounting Switches

**sälzer**



**Product line  
P200**

**Front mounting switch**

**Four hole mounting**  
36 x 36 mm

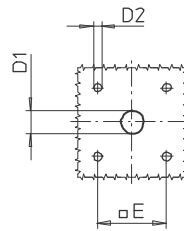
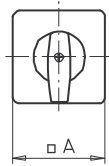
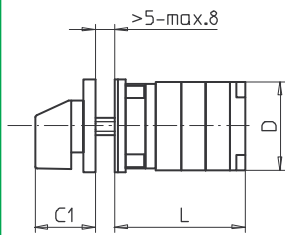
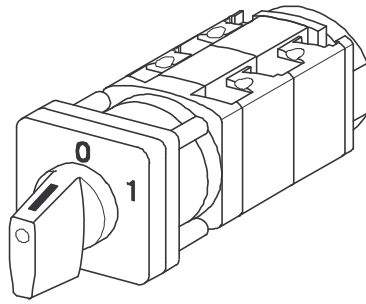
**Hexagon steel shaft**  
Front mounting panel door  
thickness up to 5 mm max.

**120M1 (IP66)**

Complete switch	Poles	Product line	Rated data (IEC 60947)			Order code number								
			Operational current I <sub>e</sub>	Operational power at 380–440 V										
			AC-21A A	AC-23A kW	AC-3 kW									
Rotary Cam Switches Switching angle 30°/45°/60°/90°	1 ... 24	P200	20 25	7,5 11	5,5 7,5	<b>P220 - 61 ... - 120M1</b> <b>P225 - 61 ... - 120M1</b>								
<b>SMD modules for basic switch A01</b>														
Mounting form module for 120M1			P200			<b>BFB2 - 120</b> <b>2PM1</b>								
M-operator module 48 x 48 mm, mounting form 120M1														
Escutcheon black, handle black														
Legend plate silver, operator module 120M1						<b>FAS2 - .... (FA number)</b>								
<b>Dimensions (mm)</b>														
Type	A	C1	D	D1	D2	E	L with ... stages (max. 12)							each add. stage
							1	2	3	4	5	6	7	
P220	48	32	44	12	4,5	36	47	60	73	86	99	112	125	13
P221	48	32	44	12	4,5	36	50,5	67	83,5	100	116,5	133	149,5	16,5
P225	48	32	46	12	4,5	36	51	66	81	96	111	126	141	15
P226	48	32	46	12	4,5	36	54,5	73	91,5	110	128,5	147	165,5	18,5

# Front Mounting Switches

**sälzer**



**Product line  
P200**

**Front mounting switch**

**Four hole mounting**  
36 x 36 mm

**Hexagon steel shaft**

Front mounting panel  
door thickness up to  
8 to 11 mm max.

**121M1 (IP66)**

Complete switch	Poles	Product line	Rated data (IEC 60947)			Order code number
			Operational current I <sub>e</sub>	Operational power at 380–440 V		
			AC-21A A	AC-23A kW	AC-3 kW	
Rotary Cam Switches Switching angle 30°/45°/60°/90°	1 ... 24	P200	20 25	7,5 11	5,5 7,5	<b>P220 - 61 ... - 121M1</b> <b>P225 - 61 ... - 121M1</b>

### SMD modules for basic switch A01

Mounting form module for 121M1

M-operator module 48 x 48 mm, mounting form 121M1

Escutcheon black, handle black

Legend plate silver, operator module 121M1

P200

**BFB2 - 121**

**2SM1**

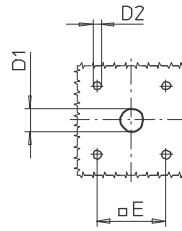
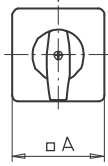
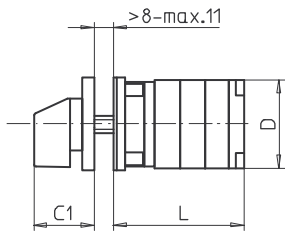
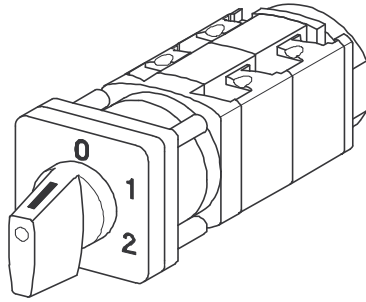
**FAS2 - .... (FA number)**

### Dimensions (mm)

Type	A	C1	D	D1	D2	E	L with ... stages (max. 12)							each add. stage
							1	2	3	4	5	6	7	
P220	48	32	44	12	4,5	36	47	60	73	86	99	112	125	13
P221	48	32	44	12	4,5	36	50,5	67	83,5	100	116,5	133	149,5	16,5
P225	48	32	46	12	4,5	36	51	66	81	96	111	126	141	15
P226	48	32	46	12	4,5	36	54,5	73	91,5	110	128,5	147	165,5	18,5

# Front Mounting Switches

**sälzer**



**Product line  
P200**

**Front mounting switch**

**Four hole mounting**  
36 x 36 mm

**Hexagon steel shaft**  
Front mounting panel  
door thickness up to  
8 to 11 mm max.

**122M1 (IP66)**

Complete switch	Poles	Product line	Rated data (IEC 60947)			Order code number
			Operational current I <sub>e</sub>	Operational power at 380–440 V		
			AC-21A A	AC-23A kW	AC-3 kW	
Rotary Cam Switches Switching angle 30°/45°/60°/90°	1 ... 24	P200	20 25	7,5 11	5,5 7,5	<b>P220 - 61 ... - 122M1</b> <b>P225 - 61 ... - 122M1</b>

### SMD modules for basic switch A01

Mounting form module for 122M1

P200

**BFB2 - 122**

M-operator module 48 x 48 mm, mounting form 122M1

**2TM1**

Escutcheon black, handle black

Legend plate silver, operator module 122M1

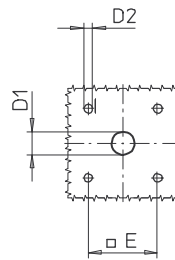
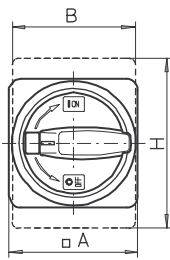
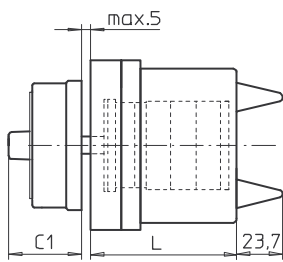
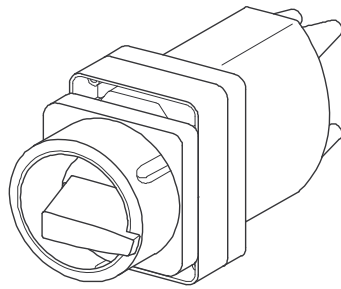
**FAS2 - .... (FA number)**

### Dimensions (mm)

Type	A	C1	D	D1	D2	E	L with ... stages (max. 12)							each add. stage
							1	2	3	4	5	6	7	
P220	48	32	44	12	4,5	36	47	60	73	86	99	112	125	13
P221	48	32	44	12	4,5	36	50,5	67	83,5	100	116,5	133	149,5	16,5
P225	48	32	46	12	4,5	36	51	66	81	96	111	126	141	15
P226	48	32	46	12	4,5	36	54,5	73	91,5	110	128,5	147	165,5	18,5

# Front Mounting Switches

**sälzer**



**Product line  
P200**

**Front mounting switch**  
With dust protection cover

**Four hole mounting**  
36 x 36 mm

**130M1 (IP66)**

**130M4 (IP66)**

Complete switch	Poles	Product line	Rated data (IEC 60947)			Order code number
			Operational current I <sub>e</sub>	Operational power at 380–440 V		
			AC-21A A	AC-23A kW	AC-3 kW	
Main Switches Switching angle 90° OFF position padlockable 09h	1 ... 6*	P200	20	7,5	5,5	<b>P220 - 61 ... - 130M1</b>
	1 ... 4		25	11	7,5	<b>P225 - 61 ... - 130M1</b>
Main/Emergency-Off Switches Switching angle 90° OFF position padlockable 09h	1 ... 6*	P200	20	7,5	5,5	<b>P220 - 61 ... - 130M4</b>
	1 ... 4		25	11	7,5	<b>P225 - 61 ... - 130M4</b>

\* For P220

## SMD modules for basic switch A01

Mounting form module for 130M.

P200

**BFA2 - 130**

M-padlock device 67 x 67 mm, mounting form 130M1  
Escutcheon black, padlockable handle black

**2CM1**

M-padlock device 67 x 67 mm, mounting form 130M4  
Escutcheon yellow, padlockable handle red

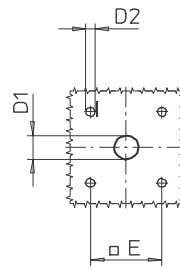
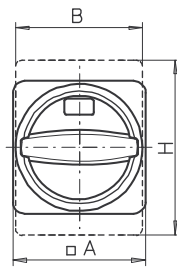
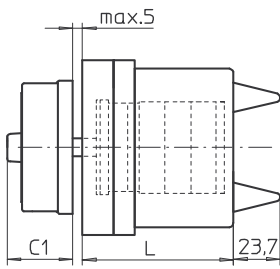
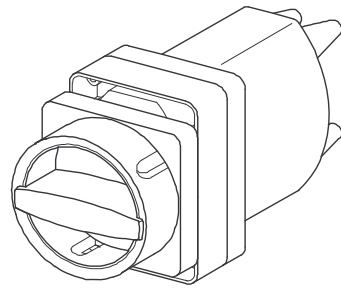
**2CM4**

## Dimensions (mm)

Type	A	B	C1	D1	D2	E	H	L with ... stages		
								1	2	3
P220	67	64	38	15	4,5	36	88	80	80	80
P221	67	64	38	15	4,5	36	88	80	80	-
P225	67	64	38	15	4,5	36	88	80	80	-
P226	67	64	38	15	4,5	36	88	80	80	-

# Front Mounting Switches

**sälzer**



**Product line  
P200**

**Front mounting switch**

With dust protection cover

**Four hole mounting**

36 x 36 mm

**130N1 (IP66)**

**130N4 (IP66)**

Complete switch	Poles	Product line	Rated data (IEC 60947)			Order code number
			Operational current I <sub>e</sub>	Operational power at 380–440 V		
			AC-21A A	AC-23A kW	AC-3 kW	
Main Switches	1 ... 6*	P200	20	7,5	5,5	<b>P220 - 61 ... - 130N1</b>
Switching angle 90°	1 ... 4		25	11	7,5	<b>P225 - 61 ... - 130N1</b>
OFF position padlockable 09h						
Main/Emergency-Off Switches	1 ... 6*	P200	20	7,5	5,5	<b>P220 - 61 ... - 130N4</b>
Switching angle 90°	1 ... 4		25	11	7,5	<b>P225 - 61 ... - 130N4</b>
OFF position padlockable 09h						

\* For P220

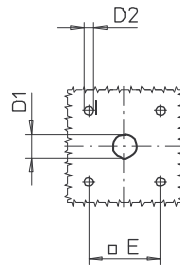
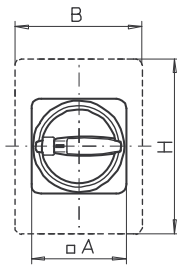
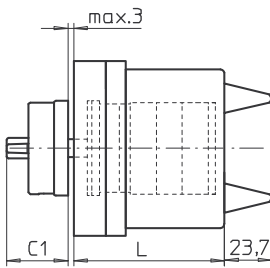
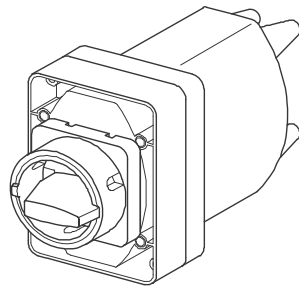
SMD modules for basic switch A01			
Mounting form module for 130N.		P200	<b>BFA2 - 130</b>
N-padlock device 67 x 67 mm, mounting form 130N1			<b>2CN1</b>
Escutcheon black, padlockable handle black			
N-padlock device 67 x 67 mm, mounting form 130N4			<b>2CN4</b>
Escutcheon yellow, padlockable handle red			

Dimensions (mm)										
Type	A	B	C1	D1	D2	E	H	L with ... stages		
								1	2	3
P220	67	64	33	15	4,5	36	88	80	80	80
P221	67	64	33	15	4,5	36	88	80	80	-
P225	67	64	33	15	4,5	36	88	80	80	-
P226	67	64	33	15	4,5	36	88	80	80	-



# Front Mounting Switches

# sälzer



**Product line**  
**P200**

**Front mounting switch**  
With dust protection cover

**Four hole mounting**  
36 x 36 mm

**131M1 (IP66)**  
**131M4 (IP66)**

Complete switch	Poles	Product line	Rated data (IEC 60947)			Order code number
			Operational current I <sub>e</sub>	Operational power at 380–440 V		
			AC-21A A	AC-23A kW	AC-3 kW	
Main Switches	1 ... 6*	P200	20	7,5	5,5	<b>P220 - 61 ... - 131M1</b>
Switching angle 90°	1 ... 4		25	11	7,5	<b>P225 - 61 ... - 131M1</b>
OFF position padlockable 09h						
Main/Emergency-Off Switches	1 ... 6*	P200	20	7,5	5,5	<b>P220 - 61 ... - 131M4</b>
Switching angle 90°	1 ... 4		25	11	7,5	<b>P225 - 61 ... - 131M4</b>
OFF position padlockable 09h						

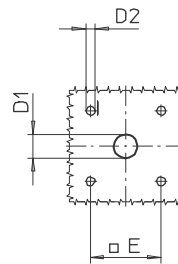
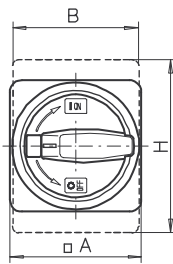
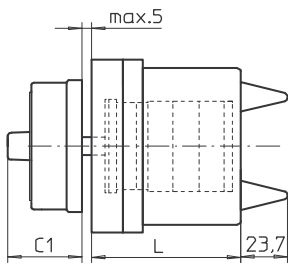
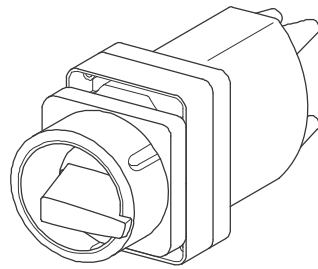
\* For P220

SMD modules for basic switch A01			
Mounting form module for 131M.		P200	<b>BFA2 - 131</b>
M-padlock device 48 x 48 mm, mounting form 131M1			<b>2BM1</b>
Escutcheon black, padlockable handle black			
M-padlock device 48 x 48 mm, mounting form 131M4			<b>2BM4</b>
Escutcheon yellow, padlockable handle red			

Dimensions (mm)										
Type	A	B	C1	D1	D2	E	H	L with ... stages		
								1	2	3
P220	48	64	38	15	4,5	36	88	80	80	80
P221	48	64	38	15	4,5	36	88	80	80	-
P225	48	64	38	15	4,5	36	88	80	80	-
P226	48	64	38	15	4,5	36	88	80	80	-

# Front Mounting Switches

**sälzer**



**Product line  
P200**

**Front mounting switch**  
Operator module of next size  
With dust protection cover

**Four hole mounting**  
48 x 48 mm

**132M1 (IP66)**  
**132M4 (IP66)**

Complete switch	Poles	Product line	Rated data (IEC 60947)			Order code number
			Operational current I <sub>e</sub>	Operational power at 380–440 V		
			AC-21A A	AC-23A kW	AC-3 kW	
Main Switches Switching angle 90° OFF position padlockable 09h	1 ... 6*	P200	20	7,5	5,5	<b>P220 - 61 ... - 132M1</b>
	1 ... 4		25	11	7,5	<b>P225 - 61 ... - 132M1</b>
Main/Emergency-Off Switches Switching angle 90° OFF position padlockable 09h	1 ... 6*	P200	20	7,5	5,5	<b>P220 - 61 ... - 132M4</b>
	1 ... 4		25	11	7,5	<b>P225 - 61 ... - 132M4</b>

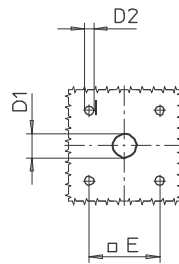
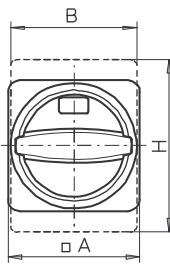
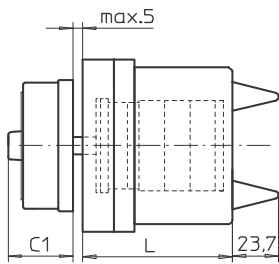
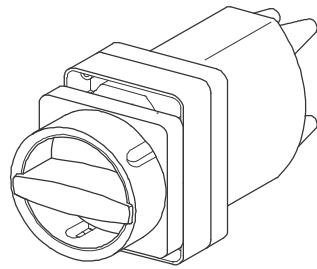
\* For P220

SMD modules for basic switch A01			
Mounting form module for 132M.		P200	<b>BFA2 - 132</b>
M-padlock device 67 x 67 mm, mounting form 132M1 Escutcheon black, padlockable handle black			<b>4BM1</b>
M-padlock device 67 x 67 mm, mounting form 132M4 Escutcheon yellow, padlockable handle red			<b>4BM4</b>

Dimensions (mm)										
Type	A	B	C1	D1	D2	E	H	L with ... stages		
								1	2	3
P220	67	64	38	15	4,5	36	88	80	80	80
P221	67	64	38	15	4,5	36	88	80	80	-
P225	67	64	38	15	4,5	36	88	80	80	-
P226	67	64	38	15	4,5	36	88	80	80	-

# Front Mounting Switches

**sälzer**



**Product line  
P200**

**Front mounting switch**  
Operator module of next size  
With dust protection cover

**Four hole mounting**  
48 x 48 mm

**132N1 (IP66)**  
**132N4 (IP66)**

Complete switch	Poles	Product line	Rated data (IEC 60947)			Order code number
			Operational current I <sub>e</sub>	Operational power at 380–440 V		
			AC-21A A	AC-23A kW	AC-3 kW	
Main Switches	1 ... 6*	P200	20	7,5	5,5	<b>P220 - 61 ... - 132N1</b>
Switching angle 90°	1 ... 4		25	11	7,5	<b>P225 - 61 ... - 132N1</b>
OFF position padlockable 09h						
Main/Emergency-Off Switches	1 ... 6*	P200	20	7,5	5,5	<b>P220 - 61 ... - 132N4</b>
Switching angle 90°	1 ... 4		25	11	7,5	<b>P225 - 61 ... - 132N4</b>
OFF position padlockable 09h						

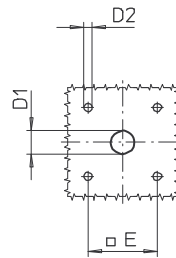
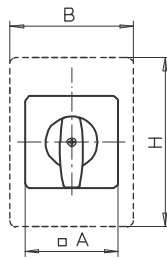
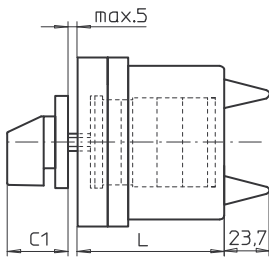
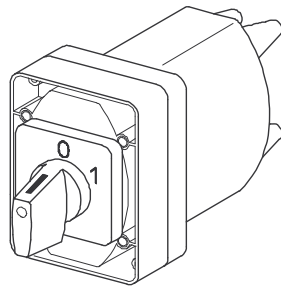
\* For P220

SMD modules for basic switch A01			
Mounting form module for 132N.		P200	<b>BFA2 - 132</b>
N-padlock device 67 x 67 mm, mounting form 132N1 Escutcheon black, padlockable handle black			<b>4BN1</b>
N-padlock device 67 x 67 mm, mounting form 132N4 Escutcheon yellow, padlockable handle red			<b>4BN4</b>

Dimensions (mm)										
Type	A	B	C1	D1	D2	E	H	L with ... stages		
								1	2	3
P220	67	64	33	15	4,5	36	88	80	80	80
P221	67	64	33	15	4,5	36	88	80	80	-
P225	67	64	33	15	4,5	36	88	80	80	-
P226	67	64	33	15	4,5	36	88	80	80	-

# Front Mounting Switches

**sälzer**



**Product line  
P200**

**Front mounting switch**

With dust protection cover

**Four hole mounting**

36 x 36 mm

**Hexagon steel shaft**

Front mounting panel door  
thickness up to 5 mm max.

**150M1 (IP66)**

Complete switch	Poles	Product line	Rated data (IEC 60947)			Order code number
			Operational current I <sub>e</sub>	Operational power at 380–440 V		
			AC-21A A	AC-23A kW	AC-3 kW	
Rotary Cam Switches	1 ... 6*	P200	20	7,5	5,5	<b>P220 - 61 ... - 150M1</b>
Switching angle 30°/45°/60°/90°	1 ... 4		25	11	7,5	<b>P225 - 61 ... - 150M1</b>

\* For P220

### SMD modules for basic switch A01

Mounting form module for 150M1

P200

**BFA2 - 150**

M-operator module 48 x 48 mm, mounting form 150M1

**2PM1**

Escutcheon black, handle black

Legend plate silver, operator module 150M1

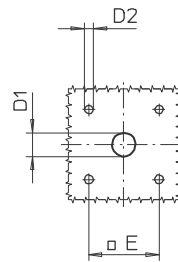
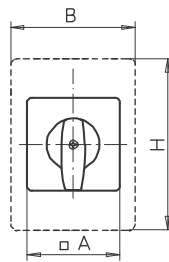
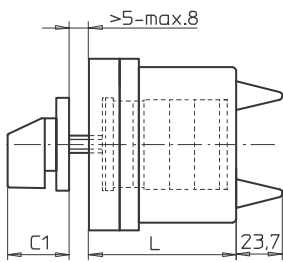
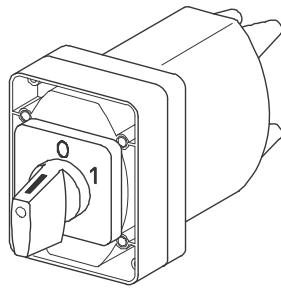
**FAS2 - .... (FA number)**

### Dimensions (mm)

Type	A	B	C1	D1	D2	E	H	L with ... stages		
								1	2	3
P220	48	64	32	12	4,5	36	88	80	80	80
P221	48	64	32	12	4,5	36	88	80	80	-
P225	48	64	32	12	4,5	36	88	80	80	-
P226	48	64	32	12	4,5	36	88	80	80	-

# Front Mounting Switches

**sälzer**



**Product line  
P200**

**Front mounting switch**  
With dust protection cover

**Four hole mounting**  
36 x 36 mm

**Hexagon steel shaft**  
Front mounting panel  
door thickness up to  
8 to 11 mm max.

**151M1 (IP66)**

Complete switch	Poles	Product line	Rated data (IEC 60947)			Order code number
			Operational current I <sub>e</sub>	Operational power at 380–440 V		
			AC-21A A	AC-23A kW	AC-3 kW	
Rotary Cam Switches	1 ... 6*	P200	20	7,5	5,5	<b>P220 - 61 ... - 151M1</b>
Switching angle 30°/45°/60°/90°	1 ... 4		25	11	7,5	<b>P225 - 61 ... - 151M1</b>

\* For P220

## SMD modules for basic switch A01

Mounting form module for 151M1

P200

**BFA2 - 151**

M-operator module 48 x 48 mm, mounting form 151M1

**2SM1**

Escutcheon black, handle black

Legend plate silver, operator module 151M1

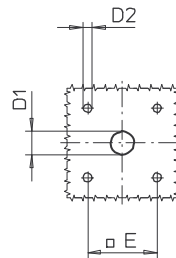
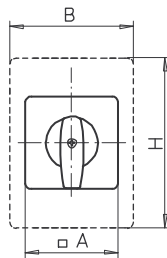
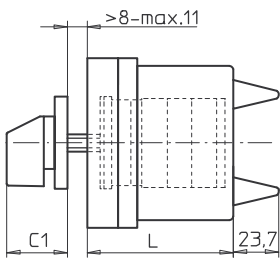
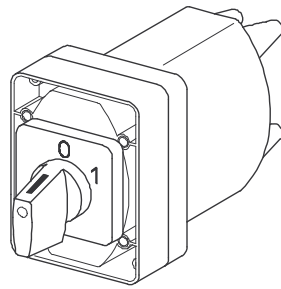
**FAS2 - .... (FA number)**

## Dimensions (mm)

Type	A	B	C1	D1	D2	E	H	L with ... stages		
								1	2	3
P220	48	64	32	12	4,5	36	88	80	80	80
P221	48	64	32	12	4,5	36	88	80	80	-
P225	48	64	32	12	4,5	36	88	80	80	-
P226	48	64	32	12	4,5	36	88	80	80	-

# Front Mounting Switches

**sälzer**



**Product line  
P200**

**Front mounting switch**  
With dust protection cover

**Four hole mounting**  
36 x 36 mm

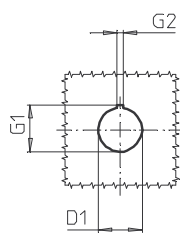
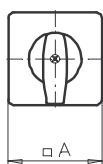
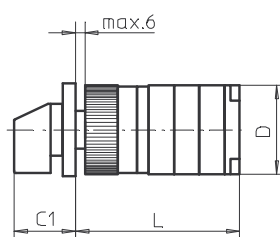
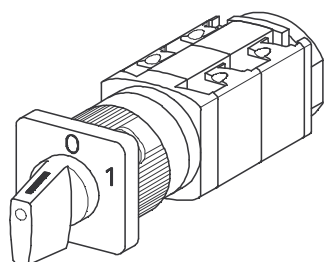
**Hexagon steel shaft**  
Front mounting panel  
door thickness up to  
8 to 11 mm max.

**152M1 (IP66)**

Complete switch	Poles	Product line	Rated data (IEC 60947)			Order code number				
			Operational current I <sub>e</sub>	Operational power at 380–440 V						
			AC-21A A	AC-23A kW	AC-3 kW					
Rotary Cam Switches	1 ... 6*	P200	20	7,5	5,5	<b>P220 - 61 ... - 152M1</b>				
Switching angle 30°/45°/60°/90°	1 ... 4		25	11	7,5	<b>P225 - 61 ... - 152M1</b>				
<b>SMD modules for basic switch A01</b>										
Mounting form module for 152M1			P200			<b>BFA2 - 152</b>				
M-operator module 48 x 48 mm, mounting form 152M1						<b>2TM1</b>				
Escutcheon black, handle black										
Legend plate silver, operator module 152M1						<b>FAS2 - .... (FA number)</b>				
<b>Dimensions (mm)</b>										
Type	A	B	C1	D1	D2	E	H	L with ... stages		
								1	2	3
P220	48	64	32	12	4,5	36	88	80	80	80
P221	48	64	32	12	4,5	36	88	80	80	-
P225	48	64	32	12	4,5	36	88	80	80	-
P226	48	64	32	12	4,5	36	88	80	80	-

# Front Mounting Switches

# sälzer



**Product line  
P200**

**Front mounting switch**

**Single hole mounting**  
ø 22,5 mm

**219M1 (IP66)**

Complete switch	Poles	Product line	Rated data (IEC 60947)			Order code number
			Operational current I <sub>e</sub>	Operational power at 380–440 V		
			AC-21A A	AC-23A kW	AC-3 kW	
Rotary Cam Switches Switching angle 30°/45°/60°/90°	1 ... 24	P200	20 25	7,5 11	5,5 7,5	<b>P220 - 61 ... - 219M1</b> <b>P225 - 61 ... - 219M1</b>

### SMD modules for basic switch A01

Mounting form module for 219M1

P200

**BFB2 - 219**

M-operator module 48 x 48 mm, mounting form 219M1

**2DM1**

Escutcheon black, handle black

Legend plate silver, operator module 219M1

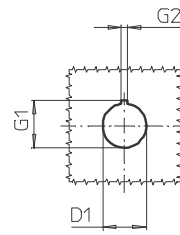
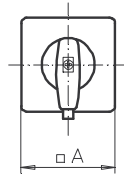
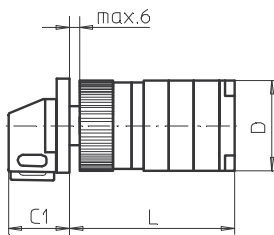
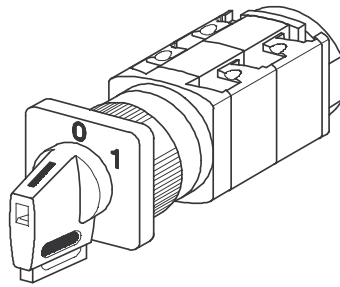
**FAS2 - .... (FA number)**

### Dimensions (mm)

Type	A	C1	D	D1	G1	G2	L with ... stages (max. 12)							each add. stage
							1	2	3	4	5	6	7	
P220	48	32	44	22,5	24,2	3,2	66	79	92	105	118	131	144	13
P221	48	32	44	22,5	24,2	3,2	69,5	86	102,5	119	135,5	152	168,5	16,5
P225	48	32	46	22,5	24,2	3,2	70	85	100	115	130	145	160	15
P226	48	32	46	22,5	24,2	3,2	73,5	92	110,5	129	147,5	166	184,5	18,5

# Front Mounting Switches

# sälzer



**Product line  
P200**

**Front mounting switch**

**Single hole mounting**  
ø 22,5 mm

**219V1 (IP66)**

**220V1 (IP66)**

Complete switch	Poles	Product line	Rated data (IEC 60947)			Order code number
			Operational current I <sub>e</sub>	Operational power at 380–440 V		
			AC-21A A	AC-23A kW	AC-3 kW	
Rotary Cam Switches Switching angle 30°/45°/60°/90° Padlockable 12h	1 ... 24	P200	20 25	7,5 11	5,5 7,5	<b>P220 - 61 ... - 219V1</b> <b>P225 - 61 ... - 219V1</b>
Rotary Cam Switches Switching angle 90° 3 positions padlockable (09h/12h/03h)	1 ... 24	P200	20 25	7,5 11	5,5 7,5	<b>P220 - 61 ... - 220V1</b> <b>P225 - 61 ... - 220V1</b>

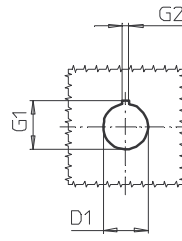
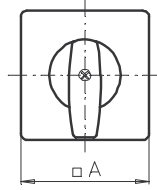
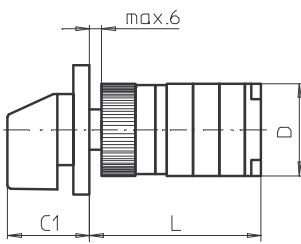
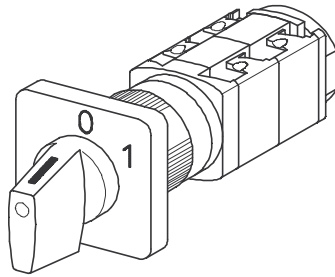
SMD modules for basic switch A01			
Mounting form module for 219V1/ 220V1		P200	<b>BFB2 - 219</b>
V-operator module 48 x 48 mm, mounting form 219V1 Escutcheon black, handle black			<b>2DV1 - 12</b>
V-operator module 48 x 48 mm, mounting form 220V1 Escutcheon black, handle black			<b>2DV1 - 99</b>
Legend plate silver, operator module 219V1/ 220V1			<b>FAS2 - .... (FA number)</b>

Dimensions (mm)														
Type	A	C1	D	D1	G1	G2	L with ... stages (max. 12)							each add. stage
							1	2	3	4	5	6	7	
P220	48	32	44	22,5	24,2	3,2	66	79	92	105	118	131	144	13
P221	48	32	44	22,5	24,2	3,2	69,5	86	102,5	119	135,5	152	168,5	16,5
P225	48	32	46	22,5	24,2	3,2	70	85	100	115	130	145	160	15
P226	48	32	46	22,5	24,2	3,2	73,5	92	110,5	129	147,5	166	184,5	18,5



# Front Mounting Switches

# sälzer



**Product line**  
**P200**

**Front mounting switch**  
Operator module of next size

**Single hole mounting**  
ø 22,5 mm

**214M1 (IP66)**

Complete switch	Poles	Product line	Rated data (IEC 60947)			Order code number
			Operational current I <sub>e</sub>	Operational power at 380–440 V		
			AC-21A A	AC-23A kW	AC-3 kW	
Rotary Cam Switches Switching angle 30°/45°/60°/90°	1 ... 24	P200	20 25	7,5 11	5,5 7,5	<b>P220 - 61 ... - 214M1</b> <b>P225 - 61 ... - 214M1</b>

### SMD modules for basic switch A01

Mounting form module for 214M1

M-operator module 64 x 64 mm, mounting form 214M1

Escutcheon black, handle black

Legend plate silver, operator module 214M1

P200

**BFB2 - 219**

**2KM1**

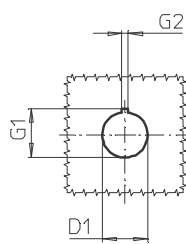
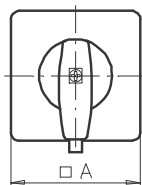
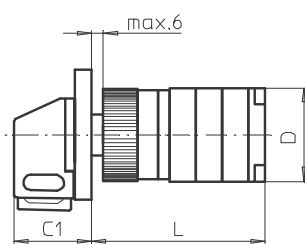
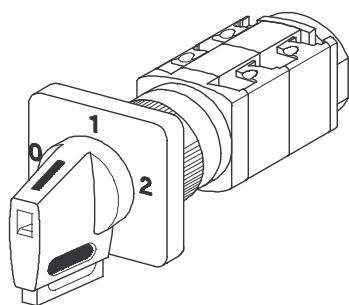
**FAS4- .... (FA number)**

### Dimensions (mm)

Type	A	C1	D	D1	G1	G2	L with ... stages (max. 12)							each add. stage
							1	2	3	4	5	6	7	
P220	64	39	44	22,5	24,2	3,2	66	79	92	105	118	131	144	13
P221	64	39	44	22,5	24,2	3,2	69,5	86	102,5	119	135,5	152	168,5	16,5
P225	64	39	46	22,5	24,2	3,2	70	85	100	115	130	145	160	15
P226	64	39	46	22,5	24,2	3,2	73,5	92	110,5	129	147,5	166	184,5	18,5

# Front Mounting Switches

**sälzer**



**Product line  
P200**

**Front mounting switch**  
Operator module of next size

**Single hole mounting**  
ø 22,5 mm

**214V1 (IP66)**  
**213V1 (IP66)**

Complete switch	Poles	Product line	Rated data (IEC 60947)			Order code number
			Operational current I <sub>e</sub>	Operational power at 380–440 V		
			AC-21A A	AC-23A kW	AC-3 kW	
Rotary Cam Switches Switching angle 30°/45°/60°/90° Padlockable 12h	1 ... 24	P200	20 25	7,5 11	5,5 7,5	<b>P220 - 61 ... - 214V1</b> <b>P225 - 61 ... - 214V1</b>
Rotary Cam Switches Switching angle 90° 3 positions padlockable (09h/12h/03h)	1 ... 24	P200	20 25	7,5 11	5,5 7,5	<b>P220 - 61 ... - 213V1</b> <b>P225 - 61 ... - 213V1</b>

### SMD modules for basic switch A01

Mounting form module for 214V1/ 213V1

P200

**BFB2 - 219**

V-operator module 64 x 64 mm, mounting form 214V1  
Escutcheon black, handle black

**2KV1 - 12**

V-operator module 64 x 64 mm, mounting form 213V1  
Escutcheon black, handle black

**2KV1 - 99**

Legend plate silver, operator module 214V1/ 213V1

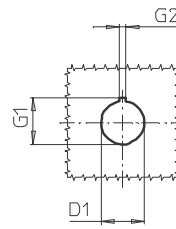
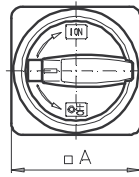
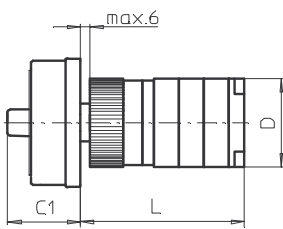
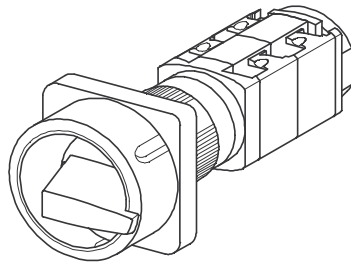
**FAS4 - .... (FA number)**

### Dimensions (mm)

Type	A	C1	D	D1	G1	G2	L with ... stages (max. 12)							each add. stage
							1	2	3	4	5	6	7	
P220	64	39	44	22,5	24,2	3,2	66	79	92	105	118	131	144	13
P221	64	39	44	22,5	24,2	3,2	69,5	86	102,5	119	135,5	152	168,5	16,5
P225	64	39	46	22,5	24,2	3,2	70	85	100	115	130	145	160	15
P226	64	39	46	22,5	24,2	3,2	73,5	92	110,5	129	147,5	166	184,5	18,5

# Front Mounting Switches

# sälzer



**Product line  
P200**

**Front mounting switch**

**Single hole mounting  
ø 22,5 mm**

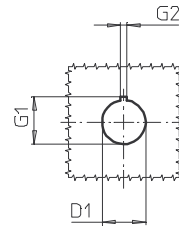
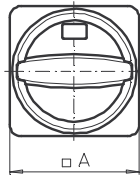
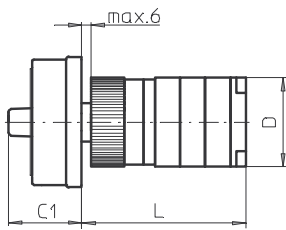
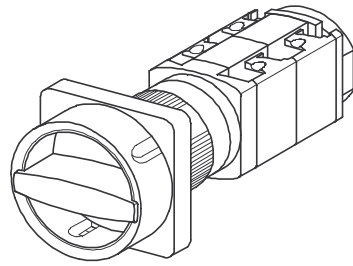
**206M1 (IP66)**

**206M4 (IP66)**

Complete switch	Poles	Product line	Rated data (IEC 60947)			Order code number								
			Operational current I <sub>e</sub>	Operational power at 380–440 V										
			AC-21A A	AC-23A kW	AC-3 kW									
Main Switches Switching angle 90° OFF position padlockable 09h	1 ... 24	P200	20 25	7,5 11	5,5 7,5	<b>P220 - 61 ... - 206M1</b> <b>P225 - 61 ... - 206M1</b>								
Main/Emergency-Off Switches Switching angle 90° OFF position padlockable 09h	1 ... 24	P200	20 25	7,5 11	5,5 7,5	<b>P220 - 61 ... - 206M4</b> <b>P225 - 61 ... - 206M4</b>								
<b>SMD modules for basic switch A01</b>														
Mounting form module for 206M.			P200			<b>BFB2 - 219</b>								
M-padlock device 67 x 67 mm, mounting form 206M1 Escutcheon black, padlockable handle black						<b>2FM1</b>								
M-padlock device 67 x 67 mm, mounting form 206M4 Escutcheon yellow, padlockable handle red						<b>2FM4</b>								
<b>Dimensions (mm)</b>														
Type	A	C1	D	D1	G1	G2	L with ... stages (max. 12)							each add. stage
							1	2	3	4	5	6	7	
P220	67	38	44	22,5	24,2	3,2	66	79	92	105	118	131	144	13
P221	67	38	44	22,5	24,2	3,2	69,5	86	102,5	119	135,5	152	168,5	16,5
P225	67	38	46	22,5	24,2	3,2	70	85	100	115	130	145	160	15
P226	67	38	46	22,5	24,2	3,2	73,5	92	110,5	129	147,5	166	184,5	18,5

# Front Mounting Switches

# sälzer



**Product line**  
**P200**

**Front mounting switch**

**Single hole mounting**  
ø 22,5 mm

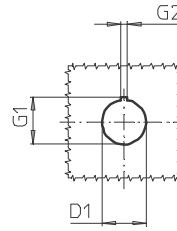
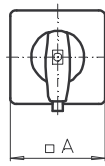
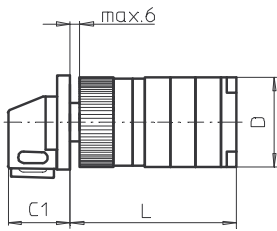
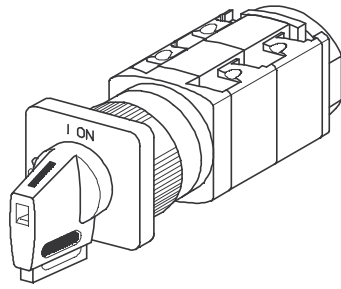
**206N1 (IP66)**

**206N4 (IP66)**

Complete switch	Poles	Product line	Rated data (IEC 60947)			Order code number								
			Operational current I <sub>e</sub>	Operational power at 380–440 V										
			AC-21A A	AC-23A kW	AC-3 kW									
Main Switches Switching angle 90° OFF position padlockable 09h	1 ... 24	P200	20	7,5	5,5	<b>P220 - 61 ... - 206N1</b>								
			25	11	7,5	<b>P225 - 61 ... - 206N1</b>								
Main/Emergency-Off Switches Switching angle 90° OFF position padlockable 09h	1 ... 24	P200	20	7,5	5,5	<b>P220 - 61 ... - 206N4</b>								
			25	11	7,5	<b>P225 - 61 ... - 206N4</b>								
<b>SMD modules for basic switch A01</b>														
Mounting form module for 206N.			P200			<b>BFB2 - 219</b>								
N-padlock device 67 x 67 mm, mounting form 206M1 Escutcheon black, padlockable handle black						<b>2FN1</b>								
N-padlock device 67 x 67 mm, mounting form 206M4 Escutcheon yellow, padlockable handle red						<b>2FN4</b>								
<b>Dimensions (mm)</b>														
<b>Type</b>	<b>A</b>	<b>C1</b>	<b>D</b>	<b>D1</b>	<b>G1</b>	<b>G2</b>	<b>L with ... stages (max. 12)</b>							<b>each add. stage</b>
							<b>1</b>	<b>2</b>	<b>3</b>	<b>4</b>	<b>5</b>	<b>6</b>	<b>7</b>	
P220	67	33	44	22,5	24,2	3,2	66	79	92	105	118	131	144	13
P221	67	33	44	22,5	24,2	3,2	69,5	86	102,5	119	135,5	152	168,5	16,5
P225	67	33	46	22,5	24,2	3,2	70	85	100	115	130	145	160	15
P226	67	33	46	22,5	24,2	3,2	73,5	92	110,5	129	147,5	166	184,5	18,5

# Front Mounting Switches

# sälzer



**Product line  
P200**

**Front mounting switch**

**Single hole mounting**  
ø 22,5 mm

**206V1 (IP66)**

**206V4 (IP66)**

Complete switch	Poles	Product line	Rated data (IEC 60947)			Order code number
			Operational current I <sub>e</sub>	Operational power at 380–440 V		
			AC-21A A	AC-23A kW	AC-3 kW	
Main Switches Switching angle 90° OFF position padlockable 09h	1 ... 24	P200	20 25	7,5 11	5,5 7,5	<b>P220 - 61 ... - 206V1</b> <b>P225 - 61 ... - 206V1</b>
Main/Emergency-Off Switches Switching angle 90° OFF position padlockable 09h	1 ... 24	P200	20 25	7,5 11	5,5 7,5	<b>P220 - 61 ... - 206V4</b> <b>P225 - 61 ... - 206V4</b>

### SMD modules for basic switch A01

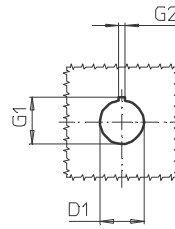
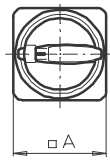
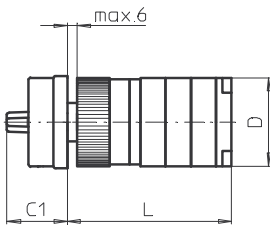
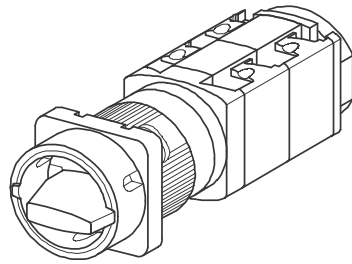
Mounting form module for 206V.	P200	<b>BFB2 - 219</b>
V-operator module 48 x 48 mm, mounting form 206V1 Escutcheon black, handle black		<b>2DV1 - 09</b>
Legend plate silver, operator module 206V1		<b>FAS2 - .... (FA number)</b>
V-operator module 48 x 48 mm, mounting form 206V4 Escutcheon black, handle red		<b>2DV4 - 09</b>
Legend plate yellow, operator module 206V4		<b>FBS2 - .... (FA number)</b>

### Dimensions (mm)

Type	A	C1	D	D1	G1	G2	L with ... stages (max. 12)							each add. stage
							1	2	3	4	5	6	7	
P220	48	32	44	22,5	24,2	3,2	66	79	92	105	118	131	144	13
P221	48	32	44	22,5	24,2	3,2	69,5	86	102,5	119	135,5	152	168,5	16,5
P225	48	32	46	22,5	24,2	3,2	70	85	100	115	130	145	160	15
P226	48	32	46	22,5	24,2	3,2	73,5	92	110,5	129	147,5	166	184,5	18,5

# Front Mounting Switches

**sälzer**



**Product line  
P200**

**Front mounting switch**

**Single hole mounting  
ø 22,5 mm**

**205M1 (IP66)**

**205M4 (IP66)**

Complete switch	Poles	Product line	Rated data (IEC 60947)			Order code number
			Operational current I <sub>e</sub>	Operational power at 380–440 V		
			AC-21A A	AC-23A kW	AC-3 kW	
Main Switches Switching angle 90° OFF position padlockable 09h	1 ... 24	P200	20	7,5	5,5	<b>P220 - 61 ... - 205M1</b>
			25	11	7,5	<b>P225 - 61 ... - 205M1</b>
Main/Emergency-Off Switches Switching angle 90° OFF position padlockable 09h	1 ... 24	P200	20	7,5	5,5	<b>P220 - 61 ... - 205M4</b>
			25	11	7,5	<b>P225 - 61 ... - 205M4</b>

### SMD modules for basic switch A01

Mounting form module for 205M.

P200

**BFB2 - 219**

M-padlock device 48 x 48 mm, mounting form 205M1  
Escutcheon black, padlockable handle black

**2EM1**

M-padlock device 48 x 48 mm, mounting form 205M4  
Escutcheon yellow, padlockable handle red

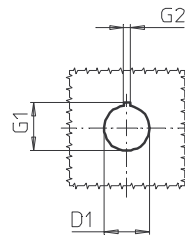
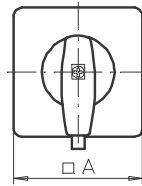
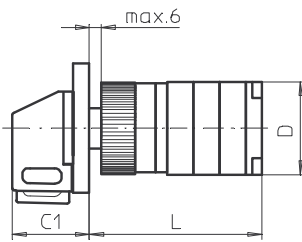
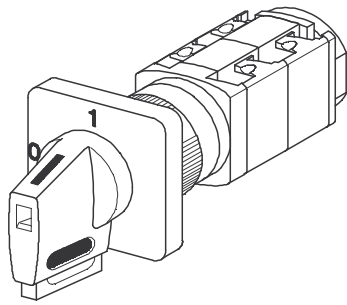
**2EM4**

### Dimensions (mm)

Type	A	C1	D	D1	G1	G2	L with ... stages (max. 12)							each add. stage
							1	2	3	4	5	6	7	
P220	48	31	44	22,5	24,2	3,2	66	79	92	105	118	131	144	13
P221	48	31	44	22,5	24,2	3,2	69,5	86	102,5	119	135,5	152	168,5	16,5
P225	48	31	46	22,5	24,2	3,2	70	85	100	115	130	145	160	15
P226	48	31	46	22,5	24,2	3,2	73,5	92	110,5	129	147,5	166	184,5	18,5

# Front Mounting Switches

**sälzer**



**Product line  
P200**

**Front mounting switch**  
Operator module of next size

**Single hole mounting**  
ø 22,5 mm

**226V1 (IP66)**

**226V4 (IP66)**

Complete switch	Poles	Product line	Rated data (IEC 60947)			Order code number
			Operational current I <sub>e</sub>	Operational power at 380–440 V		
			AC-21A A	AC-23A kW	AC-3 kW	
Main Switches Switching angle 90° OFF position padlockable 09h	1 ... 24	P200	20	7,5	5,5	<b>P220 - 61 ... - 226V1</b>
			25	11	7,5	<b>P225 - 61 ... - 226V1</b>
Main/Emergency-Off Switches Switching angle 90° OFF position padlockable 09h	1 ... 24	P200	20	7,5	5,5	<b>P220 - 61 ... - 226V4</b>
			25	11	7,5	<b>P225 - 61 ... - 226V4</b>

## SMD modules for basic switch A01

Mounting form module for 226V.

P200

**BFB2 - 219**

V-operator module 64 x 64 mm, mounting form 226V1  
Escutcheon black, handle black

**2KV1 - 09**

Legend plate silver, operator module 226V1

**FAS4 - .... (FA number)**

V-operator module 64 x 64 mm, mounting form 226V4  
Escutcheon black, handle red

**2KV4 - 09**

Legend plate yellow, operator module 226V4

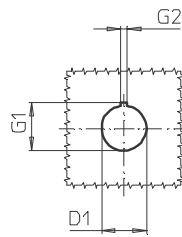
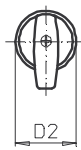
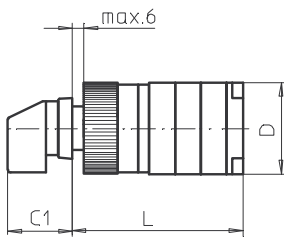
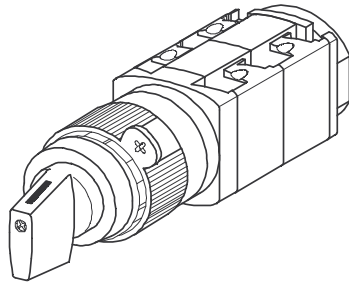
**FBS4 - .... (FA number)**

## Dimensions (mm)

Type	A	C1	D	D1	G1	G2	L with ... stages (max. 12)							each add. stage
							1	2	3	4	5	6	7	
P220	64	39	44	22,5	24,2	3,2	66	79	92	105	118	131	144	13
P221	64	39	44	22,5	24,2	3,2	69,5	86	102,5	119	135,5	152	168,5	16,5
P225	64	39	46	22,5	24,2	3,2	70	85	100	115	130	145	160	15
P226	64	39	46	22,5	24,2	3,2	73,5	92	110,5	129	147,5	166	184,5	18,5

# Front Mounting Switches

**sälzer**



**Product line  
P200**

**Front mounting switch  
with front ring**

**Single hole mounting  
ø 22,5 mm**

**218M1 (IP66)**

Complete switch	Poles	Product line	Rated data (IEC 60947)			Order code number
			Operational current I <sub>e</sub>	Operational power at 380–440 V		
			AC-21A A	AC-23A kW	AC-3 kW	
Rotary Cam Switches Switching angle 30°/45°/60°/90°	1 ... 24	P200	20 25	7,5 11	5,5 7,5	<b>P220 - 61 ... - 218M1</b> <b>P225 - 61 ... - 218M1</b>

### SMD modules for basic switch A01

Mounting form module for 218M1

P200

**BFB2 - 219**

Front ring black ø 30,5 mm, M-handle black, mounting form 218M1  
(Front ring without legend)

**2HM1**

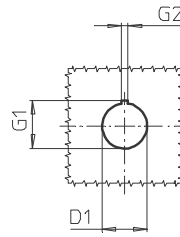
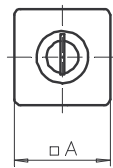
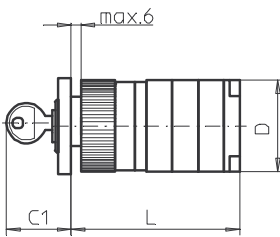
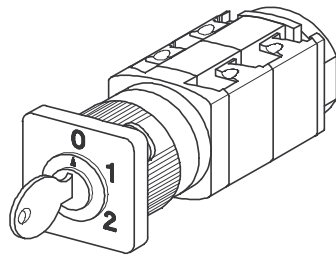
### Dimensions (mm)

Type	C1	D	D1	D2	G1	G2	L with ... stages (max. 12)							each add. stage
							1	2	3	4	5	6	7	
P220	32	44	22,5	30,5	24,2	3,2	66	79	92	105	118	131	144	13
P221	32	44	22,5	30,5	24,2	3,2	69,5	86	102,5	119	135,5	152	168,5	16,5
P225	32	46	22,5	30,5	24,2	3,2	70	85	100	115	130	145	160	15
P226	32	46	22,5	30,5	24,2	3,2	73,5	92	110,5	129	147,5	166	184,5	18,5



# Front Mounting Switches

# sälzer



**Product line**  
**P200**

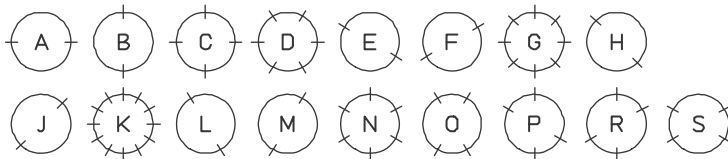
**Front mounting switch**  
Key operated

**Single hole mounting**  
ø 22,5 mm

**S001. (IP40)**

Complete switch	Poles	Product line	Rated data (IEC 60947)			Order code number
			Operational current I <sub>e</sub>	Operational power at 380–440 V		
			AC-21A A	AC-23A kW	AC-3 kW	
Rotary Cam Switches Switching angle 30°/45°/60°/90°	1 ... 16	P200	20 25	7,5 11	5,5 7,5	<b>P220 - 61 ... - S001.</b> <b>P225 - 61 ... - S001.</b>

The dot in the order code number of the complete mounting form/operator module must be replaced by the classification letter which identifies the key removable positions:



Lines indicate the key removable positions.

### SMD modules for basic switch A01

Mounting form module for S001.

P200

**BFA2 - S**

operator module 48 x 48 mm, mounting form S001.

**2AS1-001.**

Escutcheon black, Ronis lock C001, 2 keys

Legend plate silver, operator module S001.

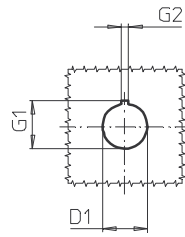
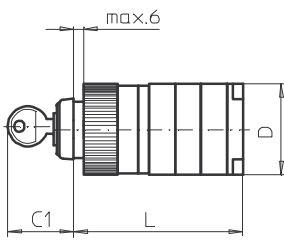
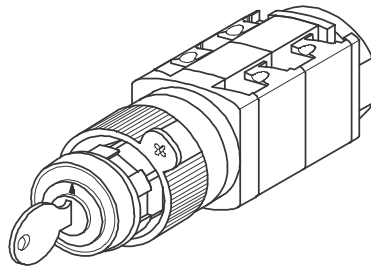
**FAS2 - .... (FA number)**

### Dimensions (mm)

Type	A	C1	D	D1	G1	G2	L with ... stages (max. 8)							
							1	2	3	4	5	6	7	8
P220	48	33	44	22,5	24,2	3,2	66	79	92	105	118	131	144	157
P221	48	33	44	22,5	24,2	3,2	69,5	86	102,5	119	135,5	152	168,5	185
P225	48	33	46	22,5	24,2	3,2	70	85	100	115	130	145	160	175
P226	48	33	46	22,5	24,2	3,2	73,5	92	110,5	129	147,5	166	184,5	203

# Front Mounting Switches

**sälzer**



**Product line  
P200**

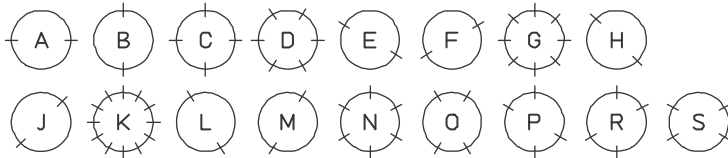
**Front mounting switch  
with front ring  
Key operated**

**Single hole mounting  
ø 22,5 mm**

**R001. (IP40)**

Complete switch	Poles	Product line	Rated data (IEC 60947)			Order code number
			Operational current I <sub>e</sub>	Operational power at 380–440 V		
			AC-21A A	AC-23A kW	AC-3 kW	
Rotary Cam Switches Switching angle 30°/45°/60°/90°	1 ... 16	P200	20 25	7,5 11	5,5 7,5	<b>P220 - 61 ... - R001.</b> <b>P225 - 61 ... - R001.</b>

The dot in the order code number of the complete mounting form/operator module must be replaced by the classification letter which identifies the key removable positions:



Lines indicate the key removable positions.

### SMD modules for basic switch A01

Mounting form module for R001.

P200

**BFA2 - S  
2BS1-001.**

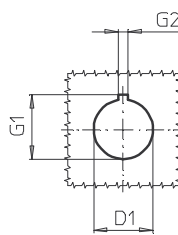
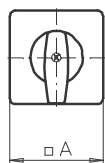
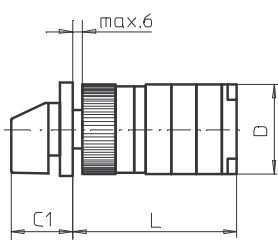
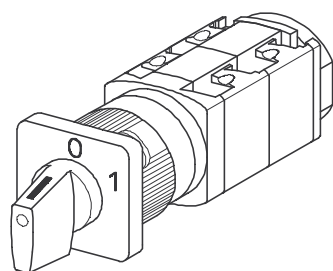
Front ring black ø 30,5 mm, mounting form R001.  
Ronis lock C001, 2 keys  
(Front ring without legend)

### Dimensions (mm)

Type	C1	D	D1	D2	G1	G2	L with ... stages (max. 8)							
							1	2	3	4	5	6	7	8
P220	33	44	22,5	30,5	24,2	3,2	66	79	92	105	118	131	144	157
P221	33	44	22,5	30,5	24,2	3,2	69,5	86	102,5	119	135,5	152	168,5	185
P225	33	46	22,5	30,5	24,2	3,2	70	85	100	115	130	145	160	175
P226	33	46	22,5	30,5	24,2	3,2	73,5	92	110,5	129	147,5	166	184,5	203

# Front Mounting Switches

# sälzer



**Product line  
P200**

**Front mounting switch**

**Single hole mounting**  
ø 30,5 mm

**209M1 (IP66)**

Complete switch	Poles	Product line	Rated data (IEC 60947)			Order code number
			Operational current I <sub>e</sub>	Operational power at 380–440 V		
			AC-21A A	AC-23A kW	AC-3 kW	
Rotary Cam Switches Switching angle 30°/45°/60°/90°	1 ... 24	P200	20 25	7,5 11	5,5 7,5	<b>P220 - 61 ... - 209M1</b> <b>P225 - 61 ... - 209M1</b>

### SMD Modules for basic switch A01

Mounting form module for 209M1

P200

**BFB2 - 219**

M-operator module 48 x 48 mm, mounting form 209M1

**2DM1 - 30**

Escutcheon black, handle black

Legend plate silver, operator module 209M1

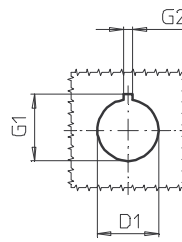
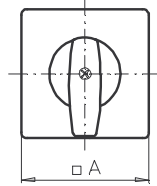
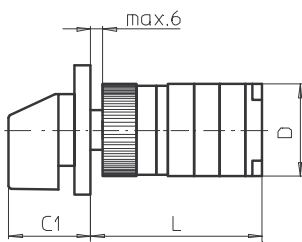
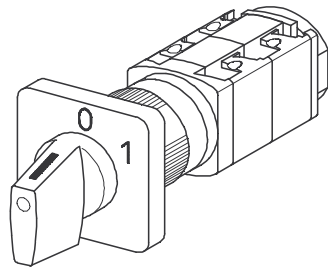
**FAS2 - .... (FA number)**

### Dimensions (mm)

Type	A	C1	D	D1	G1	G2	L with ... stages (max. 12)							each add. stage
							1	2	3	4	5	6	7	
P220	48	32	44	30,5	33	4,8	66	79	92	105	118	131	144	13
P221	48	32	44	30,5	33	4,8	69,5	86	102,5	119	135,5	152	168,5	16,5
P225	48	32	46	30,5	33	4,8	70	85	100	115	130	145	160	15
P226	48	32	46	30,5	33	4,8	73,5	92	110,5	129	147,5	166	184,5	18,5

# Front Mounting Switches

# sälzer



**Product line  
P200**

**Front mounting switch**  
Operator module of next size

**Single hole mounting**  
ø 30,5 mm

**204M1 (IP66)**

Complete switch	Poles	Product line	Rated data (IEC 60947)			Order code number
			Operational current I <sub>e</sub>	Operational power at 380–440 V		
			AC-21A A	AC-23A kW	AC-3 kW	
Rotary Cam Switches Switching angle 30°/45°/60°/90°	1 ... 24	P200	20 25	7,5 11	5,5 7,5	<b>P220 - 61 ... - 204M1</b> <b>P225 - 61 ... - 204M1</b>

### SMD Modules for basic switch A01

Mounting form module for 204M1

M-operator module 64 x 64 mm, mounting form 204M1

Escutcheon black, handle black

Legend plate silver, operator module 204M1

P200

**BFB2 - 219**

**2KM1 - 30**

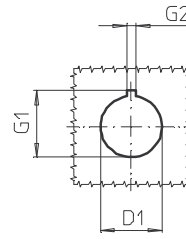
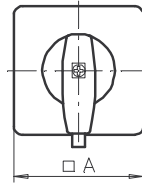
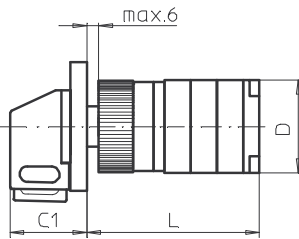
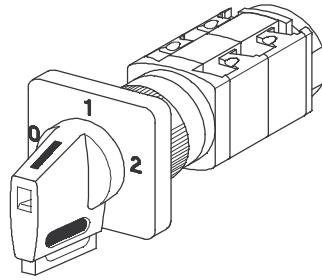
**FAS4- .... (FA number)**

### Dimensions (mm)

Type	A	C1	D	D1	G1	G2	L with ... stages (max. 12)							each add. stage
							1	2	3	4	5	6	7	
P220	64	39	44	30,5	33	4,8	66	79	92	105	118	131	144	13
P221	64	39	44	30,5	33	4,8	69,5	86	102,5	119	135,5	152	168,5	16,5
P225	64	39	46	30,5	33	4,8	70	85	100	115	130	145	160	15
P226	64	39	46	30,5	33	4,8	73,5	92	110,5	129	147,5	166	184,5	18,5

# Front Mounting Switches

# sälzer



**Product line  
P200**

**Front mounting switch**  
Operator module of next size

**Single hole mounting**  
ø 30,5 mm

**204V1 (IP66)**

**203V1 (IP66)**

Complete switch	Poles	Product line	Rated data (IEC 60947)			Order code number
			Operational current I <sub>e</sub>	Operational power at 380–440 V		
			AC-21A A	AC-23A kW	AC-3 kW	
Rotary Cam Switches Switching angle 30°/45°/60°/90° Padlockable 12h	1 ... 24	P200	20	7,5	5,5	<b>P220 - 61 ... - 204V1</b>
			25	11	7,5	<b>P225 - 61 ... - 204V1</b>
Rotary Cam Switches Switching angle 90° 3 positions padlockable (09h/12h/03h)	1 ... 24	P200	20	7,5	5,5	<b>P220 - 61 ... - 203V1</b>
			25	11	7,5	<b>P225 - 61 ... - 203V1</b>

### SMD Modules for basic switch A01

Mounting form module for 204V1/ 203V1

P200

**BFB2 - 219**

V-operator module 64 x 64 mm, mounting form 204V1  
Escutcheon black, handle black

**2KV1 - 1230**

V-operator module 64 x 64 mm, mounting form 203V1  
Escutcheon black, handle black

**2KV1 - 9930**

Legend plate silver, operator module 204V1/ 203V1

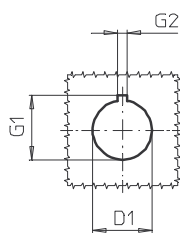
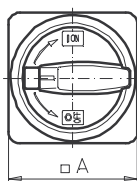
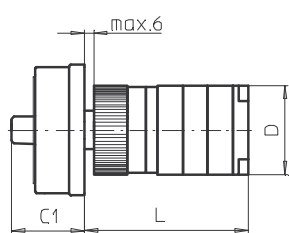
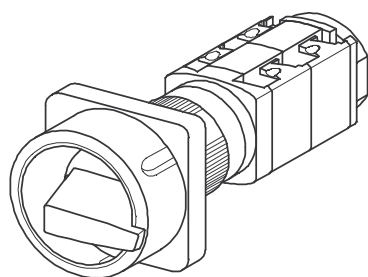
**FAS4 - .... (FA number)**

### Dimensions (mm)

Type	A	C1	D	D1	G1	G2	L with ... stages (max. 12)							each add. stage
							1	2	3	4	5	6	7	
P220	64	39	44	30,5	33	4,8	66	79	92	105	118	131	144	13
P221	64	39	44	30,5	33	4,8	69,5	86	102,5	119	135,5	152	168,5	16,5
P225	64	39	46	30,5	33	4,8	70	85	100	115	130	145	160	15
P226	64	39	46	30,5	33	4,8	73,5	92	110,5	129	147,5	166	184,5	18,5

# Front Mounting Switches

# sälzer



**Product line  
P200**

**Front mounting switch**

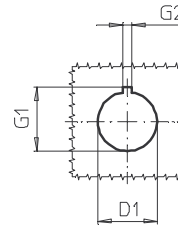
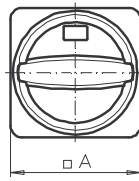
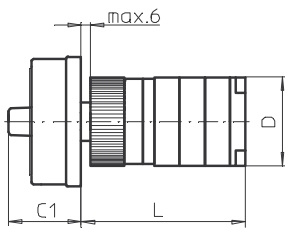
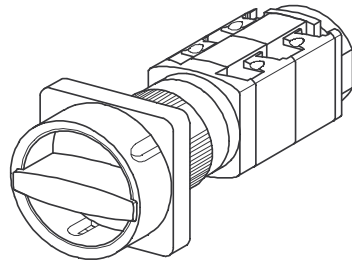
**Single hole mounting**  
ø 30,5 mm

**216M1 (IP66)**  
**216M4 (IP66)**

Complete switch	Poles	Product line	Rated data (IEC 60947)			Order code number								
			Operational current I <sub>e</sub>	Operational power at 380–440 V										
			AC-21A A	AC-23A kW	AC-3 kW									
Main Switches Switching angle 90° OFF position padlockable 09h	1 ... 24	P200	20	7,5	5,5	<b>P220 - 61 ... - 216M1</b>								
			25	11	7,5	<b>P225 - 61 ... - 216M1</b>								
Main/Emergency-Off Switches Switching angle 90° OFF position padlockable 09h	1 ... 24	P200	20	7,5	5,5	<b>P220 - 61 ... - 216M4</b>								
			25	11	7,5	<b>P225 - 61 ... - 216M4</b>								
<b>SMD Modules for basic switch A01</b>														
Mounting form module for 216M.			P200			<b>BFB2 - 219</b>								
M-padlock device 67 x 67 mm, mounting form 216M1 Escutcheon black, padlockable handle black						<b>2FM1 - 30</b>								
M-padlock device 67 x 67 mm, mounting form 216M4 Escutcheon yellow, padlockable handle red						<b>2FM4 - 30</b>								
<b>Dimensions (mm)</b>														
<b>Type</b>	<b>A</b>	<b>C1</b>	<b>D</b>	<b>D1</b>	<b>G1</b>	<b>G2</b>	<b>L with ... stages (max. 12)</b>							<b>each add. stage</b>
							<b>1</b>	<b>2</b>	<b>3</b>	<b>4</b>	<b>5</b>	<b>6</b>	<b>7</b>	
P220	67	38	44	30,5	33	4,8	66	79	92	105	118	131	144	13
P221	67	38	44	30,5	33	4,8	69,5	86	102,5	119	135,5	152	168,5	16,5
P225	67	38	46	30,5	33	4,8	70	85	100	115	130	145	160	15
P226	67	38	46	30,5	33	4,8	73,5	92	110,5	129	147,5	166	184,5	18,5

# Front Mounting Switches

# sälzer



**Product line**  
**P200**

**Front mounting switch**

**Single hole mounting**  
ø 30,5 mm

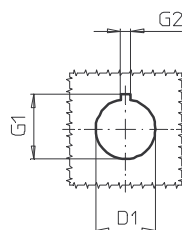
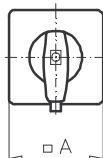
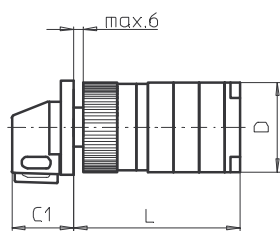
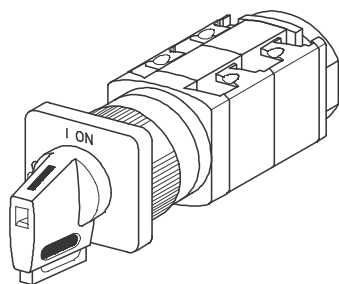
**216N1 (IP66)**

**216N4 (IP66)**

Complete switch	Poles	Product line	Rated data (IEC 60947)			Order code number								
			Operational current I <sub>e</sub>	Operational power at 380–440 V										
			AC-21A A	AC-23A kW	AC-3 kW									
Main Switches Switching angle 90° OFF position padlockable 09h	1 ... 24	P200	20	7,5	5,5	<b>P220 - 61 ... - 216N1</b>								
			25	11	7,5	<b>P225 - 61 ... - 216N1</b>								
Main/Emergency-Off Switches Switching angle 90° OFF position padlockable 09h	1 ... 24	P200	20	7,5	5,5	<b>P220 - 61 ... - 216N4</b>								
			25	11	7,5	<b>P225 - 61 ... - 216N4</b>								
<b>SMD Modules for basic switch A01</b>														
Mounting form module for 216N.			P200			<b>BFB2 - 219</b>								
N-padlock device 67 x 67 mm, mounting form 216M1 Escutcheon black, padlockable handle black						<b>2FN1 - 30</b>								
N-padlock device 67 x 67 mm, mounting form 216M4 Escutcheon yellow, padlockable handle red						<b>2FN4 - 30</b>								
<b>Dimensions (mm)</b>														
<b>Type</b>	<b>A</b>	<b>C1</b>	<b>D</b>	<b>D1</b>	<b>G1</b>	<b>G2</b>	<b>L with ... stages (max. 12)</b>							<b>each add. stage</b>
							<b>1</b>	<b>2</b>	<b>3</b>	<b>4</b>	<b>5</b>	<b>6</b>	<b>7</b>	
P220	67	33	44	30,5	33	4,8	66	79	92	105	118	131	144	13
P221	67	33	44	30,5	33	4,8	69,5	86	102,5	119	135,5	152	168,5	16,5
P225	67	33	46	30,5	33	4,8	70	85	100	115	130	145	160	15
P226	67	33	46	30,5	33	4,8	73,5	92	110,5	129	147,5	166	184,5	18,5

# Front Mounting Switches

**sälzer**



**Product line  
P200**

**Front mounting switch**

**Single hole mounting  
ø 30,5 mm**

**215V1 (IP66)  
215V4 (IP66)**

Complete switch	Poles	Product line	Rated data (IEC 60947)			Order code number
			Operational current I <sub>e</sub>	Operational power at 380–440 V		
			AC-21A A	AC-23A kW	AC-3 kW	
Main Switches Switching angle 90° OFF position padlockable 09h	1 ... 24	P200	20	7,5	5,5	<b>P220 - 61 ... - 215V1</b>
			25	11	7,5	<b>P225 - 61 ... - 215V1</b>
Main/Emergency-Off Switches Switching angle 90° OFF position padlockable 09h	1 ... 24	P200	20	7,5	5,5	<b>P220 - 61 ... - 215V4</b>
			25	11	7,5	<b>P225 - 61 ... - 215V4</b>

## SMD Modules for basic switch A01

Mounting form module for 215V.

P200

**BFB2 - 219  
2DV1 - 0930**

V-operator module 48 x 48 mm, mounting form 215V1  
Escutcheon black, handle black

Legend plate silver, operator module 215V1

**FAS2 - .... (FA number)**

V-operator module 48 x 48 mm, mounting form 215V4  
Escutcheon black, handle red

**2DV4 - 0930**

Legend plate yellow, operator module 215V4

**FBS2 - .... (FA number)**

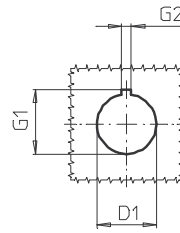
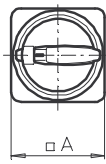
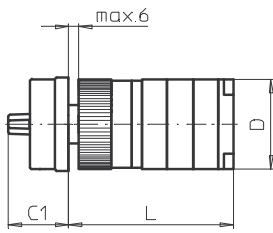
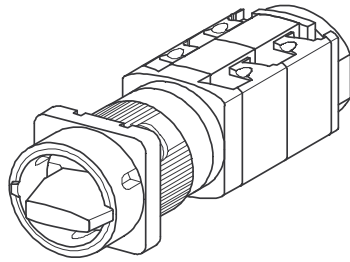
## Dimensions (mm)

Type	A	C1	D	D1	G1	G2	L with ... stages (max. 12)							each add. stage
							1	2	3	4	5	6	7	
P220	48	32	44	30,5	33	4,8	66	79	92	105	118	131	144	13
P221	48	32	44	30,5	33	4,8	69,5	86	102,5	119	135,5	152	168,5	16,5
P225	48	32	46	30,5	33	4,8	70	85	100	115	130	145	160	15
P226	48	32	46	30,5	33	4,8	73,5	92	110,5	129	147,5	166	184,5	18,5



# Front Mounting Switches

**sälzer**



**Product line  
P200**

**Front mounting switch**

**Single hole mounting  
ø 30,5 mm**

**215M1 (IP66)**

**215M4 (IP66)**

Complete switch	Poles	Product line	Rated data (IEC 60947)			Order code number
			Operational current I <sub>e</sub>	Operational power at 380–440 V		
			AC-21A A	AC-23A kW	AC-3 kW	
Main Switches Switching angle 90° OFF position padlockable 09h	1 ... 24	P200	20	7,5	5,5	<b>P220 - 61 ... - 215M1</b>
			25	11	7,5	<b>P225 - 61 ... - 215M1</b>
Main/Emergency-Off Switches Switching angle 90° OFF position padlockable 09h	1 ... 24	P200	20	7,5	5,5	<b>P220 - 61 ... - 215M4</b>
			25	11	7,5	<b>P225 - 61 ... - 215M4</b>

### SMD Modules for basic switch A01

Mounting form module for 215M.

P200

**BFB2 - 219**

M-padlock device 48 x 48 mm, mounting form 215M1  
Escutcheon black, padlockable handle black

**2EM1 - 30**

M-padlock device 48 x 48 mm, mounting form 215M4  
Escutcheon yellow, padlockable handle red

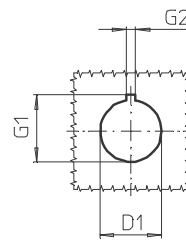
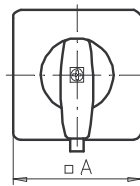
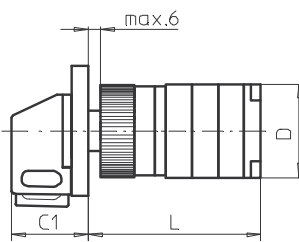
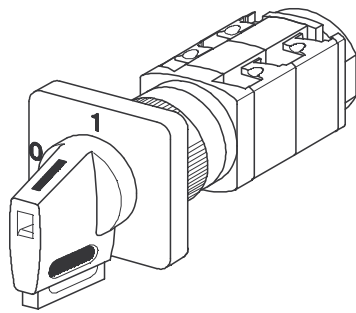
**2EM4 - 30**

### Dimensions (mm)

Type	A	C1	D	D1	G1	G2	L with ... stages (max. 12)							each add. stage
							1	2	3	4	5	6	7	
P220	48	31	44	30,5	33	4,8	66	79	92	105	118	131	144	13
P221	48	31	44	30,5	33	4,8	69,5	86	102,5	119	135,5	152	168,5	16,5
P225	48	31	46	30,5	33	4,8	70	85	100	115	130	145	160	15
P226	48	31	46	30,5	33	4,8	73,5	92	110,5	129	147,5	166	184,5	18,5

# Front Mounting Switches

# sälzer



**Product line**  
**P200**

**Front mounting switch**  
Operator module of next size

**Single hole mounting**  
ø 30,5 mm

**216V1 (IP66)**

**216V4 (IP66)**

Complete switch	Poles	Product line	Rated data (IEC 60947)			Order code number
			Operational current I <sub>e</sub>	Operational power at 380–440 V		
			AC-21A A	AC-23A kW	AC-3 kW	
Main Switches Switching angle 90° OFF position padlockable 09h	1 ... 24	P200	20	7,5	5,5	<b>P220 - 61 ... - 216V1</b>
			25	11	7,5	<b>P225 - 61 ... - 216V1</b>
Main/Emergency-Off Switches Switching angle 90° OFF position padlockable 09h	1 ... 24	P200	20	7,5	5,5	<b>P220 - 61 ... - 216V4</b>
			25	11	7,5	<b>P225 - 61 ... - 216V4</b>

### SMD Modules for basic switch A01

Mounting form module for 216V.

P200

**BFB2 - 219**

V-operator module 64 x 64 mm, mounting form 216V1  
Escutcheon black, handle black

**2KV1 - 0930**

Legend plate silver, operator module 216V1

**FAS4 - .... (FA number)**

V-operator module 64 x 64 mm, mounting form 216V4  
Escutcheon black, handle red

**2KV4 - 0930**

Legend plate yellow, operator module 216V4

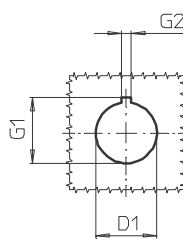
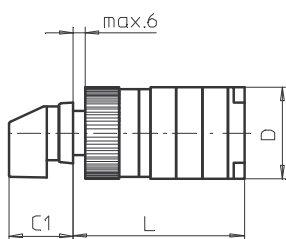
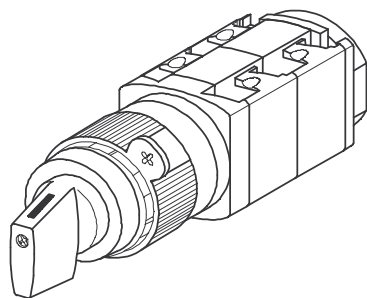
**FBS4 - .... (FA number)**

### Dimensions (mm)

Type	A	C1	D	D1	G1	G2	L with ... stages (max. 12)							each add. stage
							1	2	3	4	5	6	7	
P220	64	39	44	30,5	33	4,8	66	79	92	105	118	131	144	13
P221	64	39	44	30,5	33	4,8	69,5	86	102,5	119	135,5	152	168,5	16,5
P225	64	39	46	30,5	33	4,8	70	85	100	115	130	145	160	15
P226	64	39	46	30,5	33	4,8	73,5	92	110,5	129	147,5	166	184,5	18,5

# Front Mounting Switches

**sälzer**



**Product line  
P200**

**Front mounting switch  
with front ring**

**Single hole mounting  
ø 30,5 mm**

**208M1 (IP66)**

Complete switch	Poles	Product line	Rated data (IEC 60947)			Order code number
			Operational current I <sub>e</sub>	Operational power at 380–440 V		
			AC-21A A	AC-23A kW	AC-3 kW	
Rotary Cam Switches Switching angle 30°/45°/60°/90°	1 ... 24	P200	20 25	7,5 11	5,5 7,5	<b>P220 - 61 ... - 208M1</b> <b>P225 - 61 ... - 208M1</b>

### SMD Modules for basic switch A01

Mounting form module for 208M1

Front ring black ø 39,5 mm, M-handle black, mounting form 208M1  
(Front ring without legend)

P200

**BFB2 - 219**

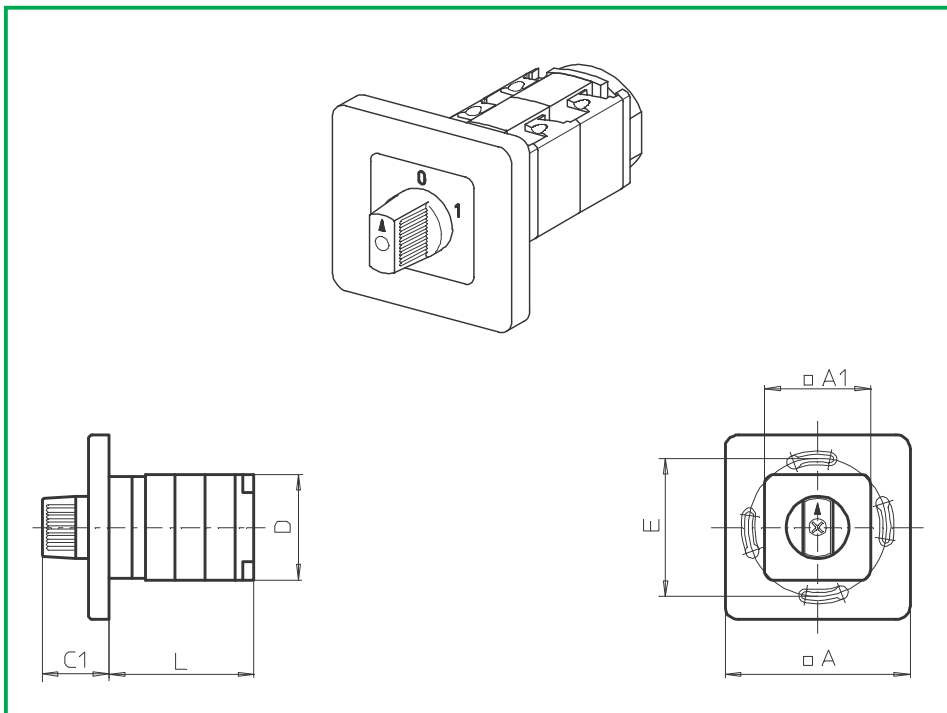
**2HM1 - 30**

### Dimensions (mm)

Type	C1	D	D1	D2	G1	G2	L with ... stages (max. 12)							each add. stage
							1	2	3	4	5	6	7	
P220	32	46	30,5	39,5	33	4,8	66	79	92	105	118	131	144	13
P221	32	46	30,5	39,5	33	4,8	69,5	86	102,5	119	135,5	152	168,5	16,5
P225	32	48	30,5	39,5	33	4,8	70	85	100	115	130	145	160	15
P226	32	50	30,5	39,5	33	4,8	73,5	92	110,5	129	147,5	166	184,5	18,5

# Front Mounting Switches

**sälzer**



**Product line  
P200**

**Front mounting switch**

**Wall mounting**

**025N3 (IP30)**

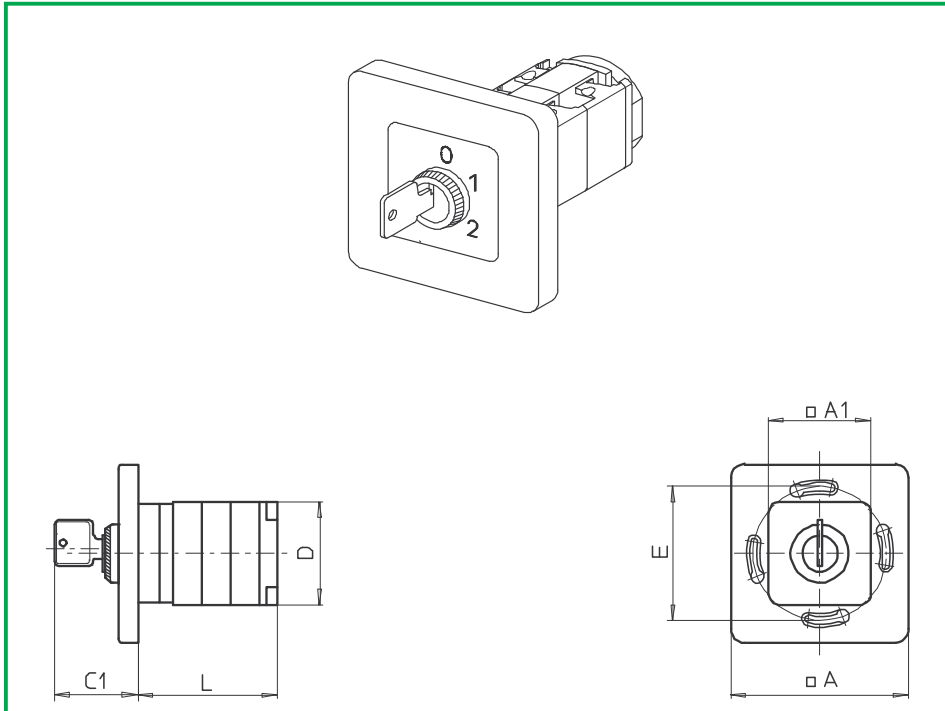
Complete switch	Poles	Product line	Rated data (IEC 60947)			Order code number
			Operational current I <sub>e</sub>	Operational power at 380–440 V		
			AC-21A A	AC-23A kW	AC-3 kW	
Rotary Cam Switches	1 ... 4	P200	20	7,5	5,5	<b>P220 - 61 ... - 025N3</b>
Switching angle 30°/45°/60°/90°	1 ... 2		25	11	7,5	<b>P225 - 61 ... - 025N3</b>

SMD modules for basic switch A01			
Mounting form module with N-operator module for 025N3		P200	<b>BFA2 - 025N3</b>
Escutcheon white, handle white			
Legend plate silver, mounting form module 025N3			<b>FAS2 - .... (FA number)</b>

Dimensions (mm)							
Type	A	A1	C1	D	E	L with ... stages	
						1	2
P220	80	46	31	44	60	43	56
P221	80	46	31	44	60	46,5	-
P225	80	46	31	46	60	47	-
P226	80	46	31	46	60	50,5	-

# Front Mounting Switches

**sälzer**



**Product line**  
P200

**Front mounting switch**

**Wall mounting**

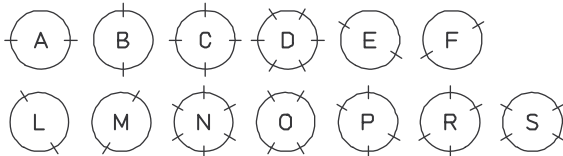
**Escutcheon**  
90 x 90 mm white

Key operated

**U001. (IP40)**

Complete switch	Poles	Product line	Rated data (IEC 60947)			Order code number
			Operational current I <sub>e</sub>	Operational power at 380–440 V		
			AC-21A A	AC-23A kW	AC-3 kW	
Rotary Cam Switches Switching angle 60°/ 90° (30°/45° upon request)	1 ... 8	P200	20 25	7,5 11	5,5 7,5	<b>P220 - 61 ... - U001.</b> <b>P225 - 61 ... - U001.</b>

The dot in the order code number of the complete mounting form/operator module must be replaced by the classification letter which identifies the key removable positions:



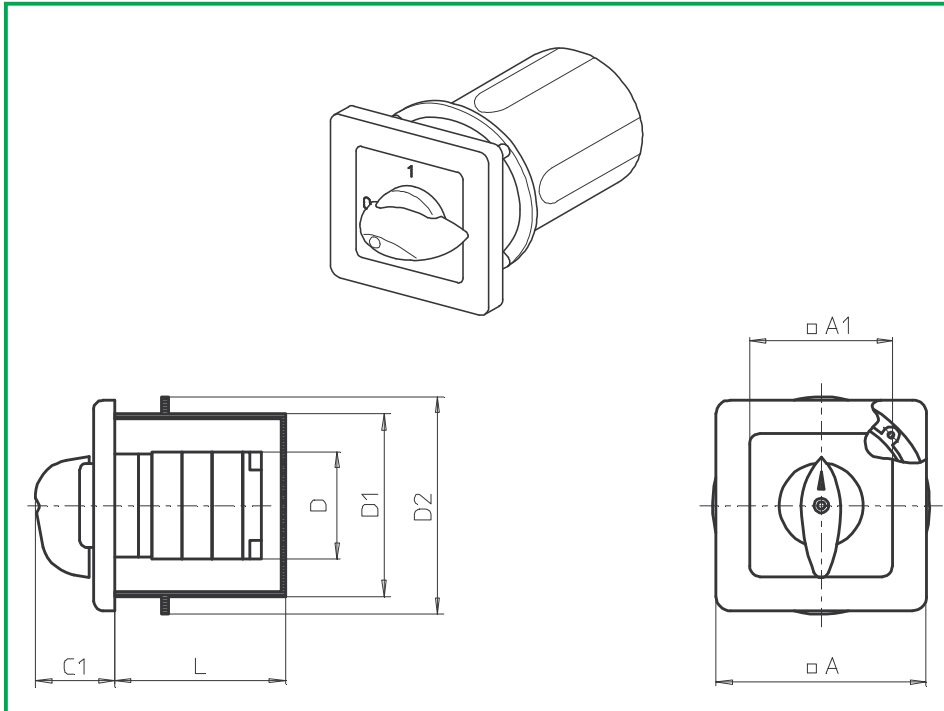
Lines indicate the key removable positions.

SMD modules for basic switch A01			
Mounting form module for U001.		P200	<b>BFA2-U001.</b>
Operator module 90 x 90 mm, mounting form U001. Escutcheon white, DOM lock, (2 keys), key number 7 D1			
Legend plate silver for operator module			<b>FAS4 - .... (FA number)</b>

Dimensions (mm)									
Type	A	A1	C1	D	E	L with ... stages			
						1	2	3	4
P220	90	61	42	44	60	51	64	77	90
P221	90	61	42	44	60	54,5	71	87,5	104
P225	90	61	42	46	60	55	70	85	100
P226	90	61	42	46	60	58,5	77	95,5	114

# Front Mounting Switches

**sälzer**



**Product line  
P200**

**Front mounting switch**  
Operator module of next size

**Wall mounting**  
with plaster depth box  
(special)

**024B3 (IP30)**

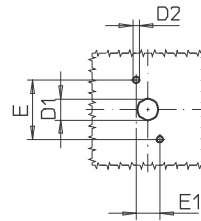
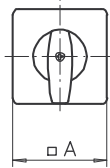
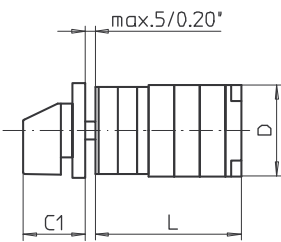
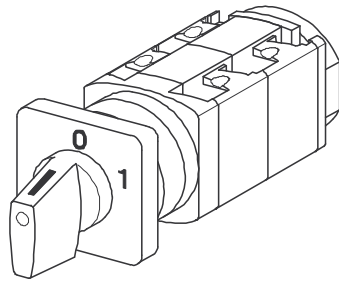
Complete switch	Poles	Product line	Rated data (IEC 60947)			Order code number
			Operational current I <sub>e</sub>	Operational power at 380–440 V		
			AC-21A A	AC-23A kW	AC-3 kW	
Rotary Cam Switches	1 ... 8	P200	20	7,5	5,5	<b>P220 - 61 ... - 024B3</b>
Switching angle 30°/45°/60°/90°	1 ... 6		25	11	7,5	<b>P225 - 61 ... - 024B3</b>

SMD modules for basic switch A01			
Mounting form module with B-operator module for 024B3		P200	<b>BFA2 - 024B3</b>
Escutcheon white, handle white			
Legend plate silver, mounting form module 024B3			<b>FAS4 - .... (FA number)</b>

Dimensions (mm)												
Type	A	A1	C1	D	D1	D2	L with ... stages					
							1	2	3	4	5	6
P220	90	61	38	44	78	93	97	97	97	97	-	-
P221	90	61	38	44	78	93	97	97	97	-	-	-
P225	90	61	38	46	78	93	97	97	97	-	-	-
P225	90	61	38	46	78	93	97	97	97	-	-	-

# Front Mounting Switches

**sälzer**



**Product line  
P200**

**Front mounting switch**

**Two hole mounting**  
30 x 12,2 mm

**M-operator module**  
48 x 48 mm

**503M1 (IP66)**

Complete switch	Poles	Product line	Rated data (IEC 60947)			Order code number
			Operational current I <sub>e</sub>	Operational power at 380–440 V		
			AC-21A A	AC-23A kW	AC-3 kW	
Rotary Cam Switches Switching angle 30°/45°/60°/90°	1 ... 24	P200	20 25	7,5 11	5,5 7,5	<b>P220 - 61 ... - 503M1</b> <b>P225 - 61 ... - 503M1</b>

### SMD modules for basic switch A01

Mounting form module for 503M1

P200

**BFB2 - 503**

M-operator module 48 x 48 mm, mounting form 503M1

**2UM1**

Escutcheon black, handle black

Legend plate silver, operator module 503M1

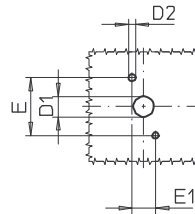
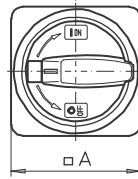
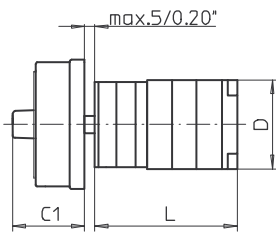
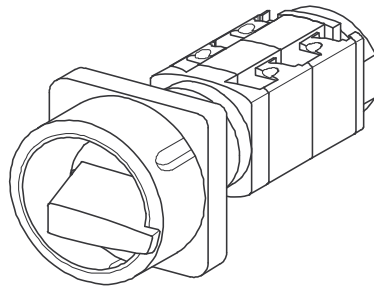
**FAS2 - .... (FA number)**

### Dimensions (mm)

Type	A	C1	D	D1	D2	E	E1	L with ... stages (max. 12)						each add. stage
								1	2	3	4	5	6	
P220	48	32	44	12	3,5	30	12,2	53	66	79	92	105	118	13
P221	48	32	44	12	3,5	30	12,2	56,5	73	89,5	106	122,5	139	16,5
P225	48	32	46	12	3,5	30	12,2	57	72	87	102	117	132	15
P226	48	32	46	12	3,5	30	12,2	60,5	79	97,5	116	124,5	153	18,5

# Front Mounting Switches

**sälzer**



**Product line  
P200**

**Front mounting switch**

**Two hole mounting**  
30 x 12,2 mm

**M-padlock device**  
67 x 67 mm

**133M1 (IP66)**

**133M4 (IP66)**

Complete switch	Poles	Product line	Rated data (IEC 60947)			Order code number
			Operational current I <sub>e</sub>	Operational power at 380–440 V		
			AC-21A A	AC-23A kW	AC-3 kW	
Main Switches Switching angle 90° OFF position padlockable 09h	1 ... 24	P200	20	7,5	5,5	<b>P220 - 61 ... - 133M1</b>
			25	11	7,5	<b>P225 - 61 ... - 133M1</b>
Main/Emergency-Off Switches Switching angle 90° OFF position padlockable 09h	1 ... 24	P200	20	7,5	5,5	<b>P220 - 61 ... - 133M4</b>
			25	11	7,5	<b>P225 - 61 ... - 133M4</b>

## SMD modules for basic switch A01

Mounting form module for 133M.

P200

**BFB2 - 133**

M-padlock device 67 x 67 mm, mounting form 133M1  
Escutcheon black, padlockable handle black

**2VM1**

M-padlock device 67 x 67 mm, mounting form 133M4  
Escutcheon yellow, padlockable handle red

**2VM4**

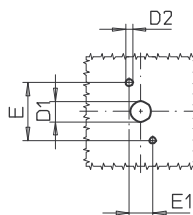
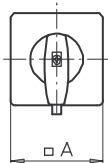
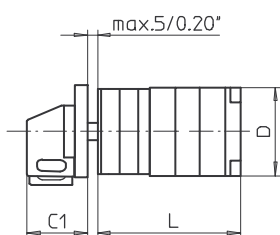
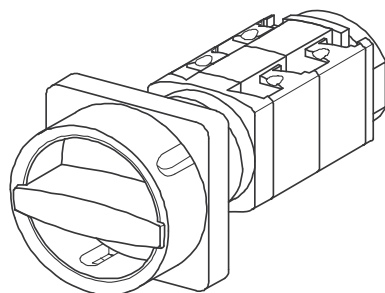
## Dimensions (mm)

Type	A	C1	D	D1	D2	E	E1	L with ... stages (max. 12)						each add. stage
								1	2	3	4	5	6	
P220	67	38	44	12	3,5	30	12,2	53	66	79	92	105	118	13
P221	67	38	44	12	3,5	30	12,2	56,5	73	89,5	106	122,5	139	16,5
P225	67	38	46	12	3,5	30	12,2	57	72	87	102	117	132	15
P226	67	38	46	12	3,5	30	12,2	60,5	79	97,5	116	124,5	153	18,5



# Front Mounting Switches

**sälzer**



**Product line  
P200**

**Front mounting switch**

**Two hole mounting**  
30 x 12,2 mm

**N-padlock device**  
67 x 67 mm

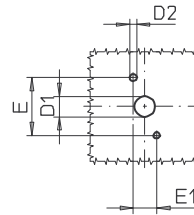
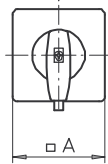
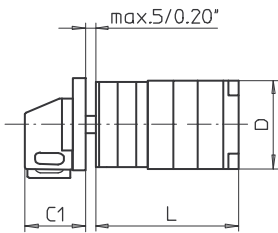
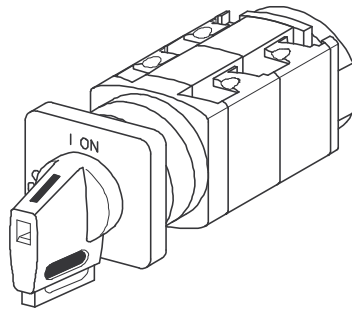
**133N1 (IP66)**

**133N4 (IP66)**

Complete switch	Poles	Product line	Rated data (IEC 60947)			Order code number								
			Operational current I <sub>e</sub>	Operational power at 380–440 V										
			AC-21A A	AC-23A kW	AC-3 kW									
Main Switches Switching angle 90° OFF position padlockable 09h	1 ... 24	P200	20	7,5	5,5	<b>P220 - 61 ... - 133N1</b>								
			25	11	7,5	<b>P225 - 61 ... - 133N1</b>								
Main/Emergency-Off Switches Switching angle 90° OFF position padlockable 09h	1 ... 24	P200	20	7,5	5,5	<b>P220 - 61 ... - 133N4</b>								
			25	11	7,5	<b>P225 - 61 ... - 133N4</b>								
<b>SMD modules for basic switch A01</b>														
Mounting form module for 133N.			P200			<b>BFB2 - 133</b>								
N-padlock device 67 x 67 mm, mounting form 133N1 Escutcheon black, padlockable handle black						<b>2VN1</b>								
N-padlock device 67 x 67 mm, mounting form 133N4 Escutcheon yellow, padlockable handle red						<b>2VN4</b>								
<b>Dimensions (mm)</b>														
Type	A	C1	D	D1	D2	E	E1	L with ... stages (max. 12)						each add. stage
								1	2	3	4	5	6	
P220	67	33	44	12	3,5	30	12,2	53	66	79	92	105	118	13
P221	67	33	44	12	3,5	30	12,2	56,5	73	89,5	106	122,5	139	16,5
P225	67	33	46	12	3,5	30	12,2	57	72	87	102	117	132	15
P226	67	33	46	12	3,5	30	12,2	60,5	79	97,5	116	124,5	153	18,5

# Front Mounting Switches

# sälzer



**Product line**  
**P200**

**Front mounting switch**

**Two hole mounting**  
30 x 12,2 mm

**V-operator module**  
48 x 48 mm

**133V1 (IP66)**

**133V4 (IP66)**

Complete switch	Poles	Product line	Rated data (IEC 60947)			Order code number
			Operational current I <sub>e</sub>	Operational power at 380–440 V		
			AC-21A A	AC-23A kW	AC-3 kW	
Main Switches Switching angle 90° OFF position padlockable 09h	1 ... 24	P200	20	7,5	5,5	<b>P220 - 61 ... - 133V1</b>
			25	11	7,5	<b>P225 - 61 ... - 133V1</b>
Main/Emergency-Off Switches Switching angle 90° OFF position padlockable 09h	1 ... 24	P200	20	7,5	5,5	<b>P220 - 61 ... - 133V4</b>
			25	11	7,5	<b>P225 - 61 ... - 133V4</b>

### SMD modules for basic switch A01

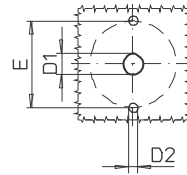
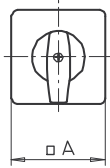
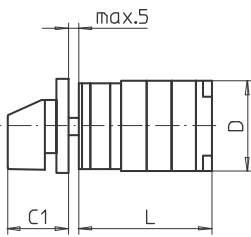
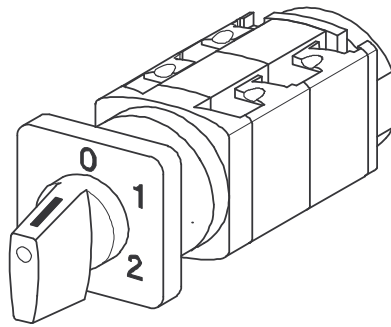
Mounting form module for 133V.	P200	<b>BFB2 - 503</b>
V-operator module 48 x 48 mm, mounting form 133V1 Escutcheon black, handle black		<b>2UV1 - 09</b>
Legend plate silver, operator module 133V1		<b>FAS2 - 9078</b>
V-operator module 48 x 48 mm, mounting form 133V4 Escutcheon black, handle red		<b>2UV4 - 09</b>
Legend plate yellow, operator module 133V4		<b>FBS2 - 9078</b>

### Dimensions (mm)

Type	A	C1	D	D1	D2	E	E1	L with ... stages (max. 12)						each add. stage
								1	2	3	4	5	6	
P220	48	32	44	12	3,5	30	12,2	53	66	79	92	105	118	13
P221	48	32	44	12	3,5	30	12,2	56,5	73	89,5	106	122,5	139	16,5
P225	48	32	46	12	3,5	30	12,2	57	72	87	102	117	132	15
P226	48	32	46	12	3,5	30	12,2	60,5	79	97,5	116	124,5	153	18,5

# Front Mounting Switches

# sälzer



**Product line**  
**P200**

**Front mounting switch**  
Escutcheon 48 x 48 mm

**Two hole mounting**  
ø 31 mm

**140M1 (IP66)**

Complete switch	Poles	Product line	Rated data (IEC 60947)			Order code number
			Operational current I <sub>e</sub>	Operational power at 380–440 V		
			AC-21A A	AC-23A kW	AC-3 kW	
Rotary Cam Switches Switching angle 30°/45°/60°/90°	1 ... 24	P200	20 25	7,5 11	5,5 7,5	<b>P220 - 61 ... - 140M1</b> <b>P225 - 61 ... - 140M1</b>

### SMD modules for basic switch A01

Mounting form module for 140M1

M-operator module 48x48, mounting form 140M1

Legend plate silver, operator module 140M1

P200

**BFA2 - 140**

**2QM1**

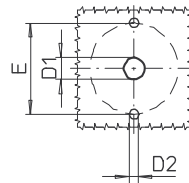
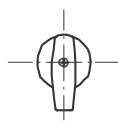
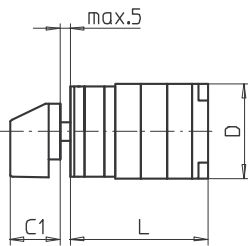
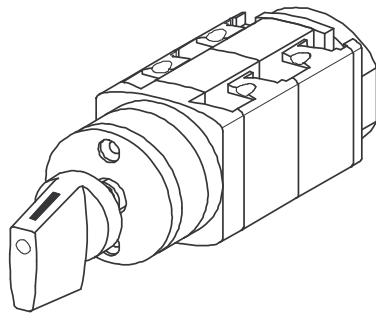
**FAS2-....**

### Dimensions (mm)

Type	A	C1	D	D1	D2	E	L with ... stages (max. 12)							each add. stage
							1	2	3	4	5	6	7	
P220	48	32	44	12	4,5	31	47	60	73	86	99	112	125	13
P221	48	32	44	12	4,5	31	50,5	67	83,5	100	116,5	133	149,5	16,5
P225	48	32	46	12	4,5	31	51	66	81	96	111	126	141	15
P226	48	32	46	12	4,5	31	54,5	73	91,5	110	128,5	147	165,5	18,5

# Front Mounting Switches

# sälzer



**Product line  
P200**

**Front mounting switch  
without escutcheon**

**Two hole mounting  
ø 31 mm**

**141M1 (IP66)**

Complete switch	Poles	Product line	Rated data (IEC 60947)			Order code number
			Operational current I <sub>e</sub>	Operational power at 380–440 V		
			AC-21A A	AC-23A kW	AC-3 kW	
Rotary Cam Switches Switching angle 30°/45°/60°/90°	1 ... 24	P200	20 25	7,5 11	5,5 7,5	<b>P220 - 61 ... - 141M1</b> <b>P225 - 61 ... - 141M1</b>

### SMD modules for basic switch A01

Mounting form module for 141M1  
(Shaft shortened by 5 mm)

P200

**BFA2 - 141  
2XM1**

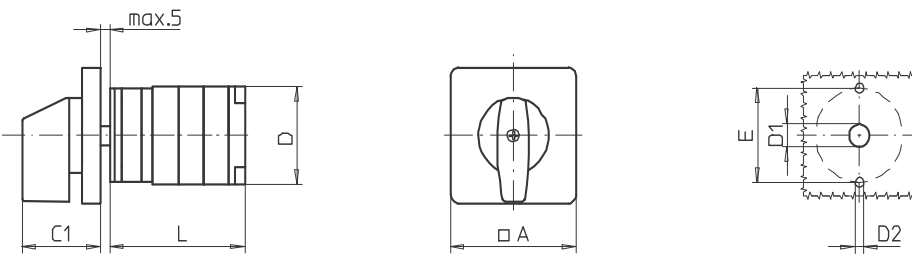
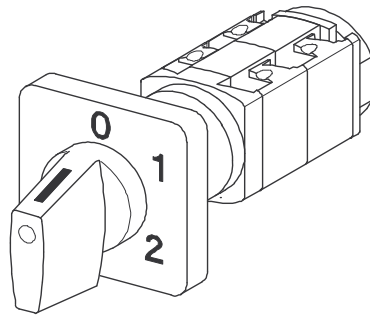
M-handle black, mounting form 141M1  
(Mounting without escutcheon and legend plate))

### Dimensions (mm)

Type	C1	D	D1	D2	E	L with ... stages (max. 12)							each add. stage
						1	2	3	4	5	6	7	
P220	25	44	12	4,5	31	47	60	73	86	99	112	125	13
P221	25	44	12	4,5	31	50,5	67	83,5	100	116,5	133	149,5	16,5
P225	25	46	12	4,5	31	51	66	81	96	111	126	141	15
P226	25	46	12	4,5	31	54,5	73	91,5	110	128,5	147	165,5	18,5

# Front Mounting Switches

**sälzer**



**Product line  
P200**

**Front mounting switch**  
Operator module of next size  
Escutcheon 64 x 64 mm

**Two hole mounting**  
ø 31 mm

**142M1 (IP66)**

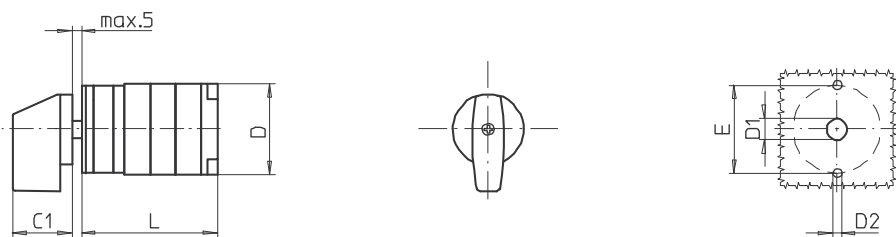
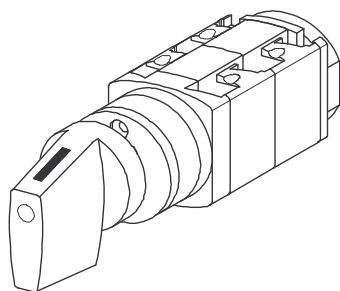
Complete switch	Poles	Product line	Rated data (IEC 60947)			Order code number
			Operational current I <sub>e</sub>	Operational power at 380–440 V		
			AC-21A A	AC-23A kW	AC-3 kW	
Rotary Cam Switches Switching angle 30°/45°/60°/90°	1 ... 24	P200	20 25	7,5 11	5,5 7,5	<b>P220 - 61 ... - 142M1</b> <b>P225 - 61 ... - 142M1</b>

SMD modules for basic switch A01		
Mounting form module for 142M1	P200	<b>BFA2 - 142</b>
M-operator module 64 x 64, mounting form 142M1		<b>4KM1</b>
Legend plate silver, operator module 142M1		<b>FAS4-....</b>

Type	Dimensions (mm)						L with ... stages (max. 12)							each add. stage
	A	C1	D	D1	D2	E	1	2	3	4	5	6	7	
P220	64	39	44	15	5	31	47	60	73	86	99	112	125	13
P221	64	39	44	15	5	31	50,5	67	83,5	100	116,5	133	149,5	16,5
P225	64	39	46	15	5	31	51	66	81	96	111	126	141	15
P226	64	39	46	15	5	31	54,5	73	91,5	110	128,5	147	165,5	18,5

# Front Mounting Switches

# sälzer



**Product line**  
**P200**

**Front mounting switch**  
Operator module of next size  
without escutcheon

**Two hole mounting**  
ø 31 mm

**143M1 (IP66)**

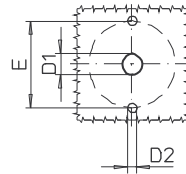
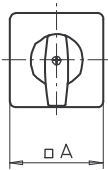
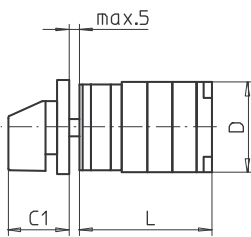
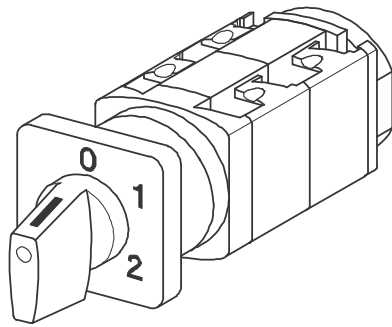
Complete switch	Poles	Product line	Rated data (IEC 60947)			Order code number
			Operational current I <sub>e</sub>	Operational power at 380–440 V		
			AC-21A A	AC-23A kW	AC-3 kW	
Rotary Cam Switches Switching angle 30°/45°/60°/90°	1 ... 24	P200	20 25	7,5 11	5,5 7,5	<b>P220 - 61 ... - 143M1</b> <b>P225 - 61 ... - 143M1</b>

SMD modules for basic switch A01			
Mounting form module for 143M1 (Shaft shortened by 5 mm)		P200	<b>BFA2 - 143</b>
M-handle black, mounting form 143M1 (Mounting without escutcheon and legend plate))			<b>4XM1</b>

Dimensions (mm)													
Type	C1	D	D1	D2	E	L with ... stages (max. 12)							each add. stage
						1	2	3	4	5	6	7	
P220	30	44	12	4,5	31	47	60	73	86	99	112	125	13
P221	30	44	12	4,5	31	50,5	67	83,5	100	116,5	133	149,5	16,5
P225	30	46	12	4,5	31	51	66	81	96	111	126	141	15
P226	30	46	12	4,5	31	54,5	73	91,5	110	128,5	147	165,5	18,5

# Front Mounting Switches

# sälzer



**Product line**  
**P200**

**Front mounting switch**  
Escutcheon 48 x 48 mm

**Two hole mounting**  
ø 31 mm

**Hexagon steel shaft**

**144M1 (IP66)**

Complete switch	Poles	Product line	Rated data (IEC 60947)			Order code number
			Operational current I <sub>e</sub>	Operational power at 380–440 V		
			AC-21A A	AC-23A kW	AC-3 kW	
Rotary Cam Switches Switching angle 30°/45°/60°/90°	1 ... 24	P200	20 25	7,5 11	5,5 7,5	<b>P220 - 61 ... - 144M1</b> <b>P225 - 61 ... - 144M1</b>

### SMD modules for basic switch A01

Mounting form module for 144M1

M-operator module 48x48, mounting form 144M1

Legend plate silver, operator module 144M1

P200

**BFA2 - 144**

**2RM1**

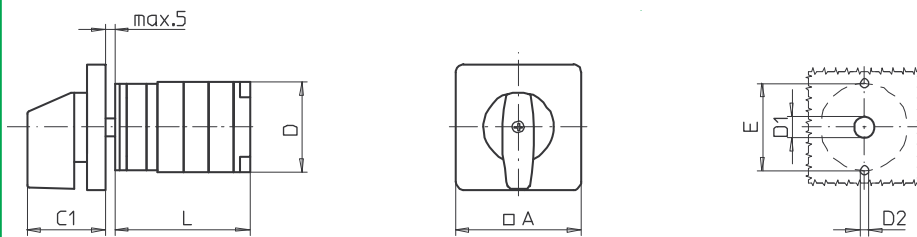
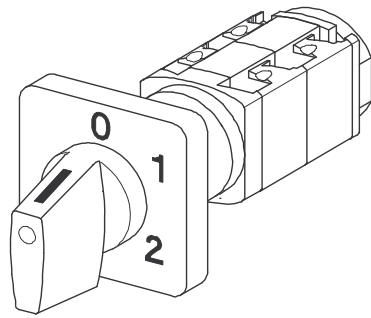
**FAS2-....**

### Dimensions (mm)

Type	A	C1	D	D1	D2	E	L with ... stages (max. 12)							each add. stage
							1	2	3	4	5	6	7	
P220	48	32	44	12	4,5	31	47	60	73	86	99	112	125	13
P221	48	32	44	12	4,5	31	50,5	67	83,5	100	116,5	133	149,5	16,5
P225	48	32	46	12	4,5	31	51	66	81	96	111	126	141	15
P226	48	32	46	12	4,5	31	54,5	73	91,5	110	128,5	147	165,5	18,5

# Front Mounting Switches

**sälzer**



**Product line  
P200**

**Front mounting switch**  
Operator module of next size  
Escutcheon 64 x 64 mm

**Two hole mounting**  
ø 31 mm

**Hexagon steel shaft**

**145M1 (IP66)**

Complete switch	Poles	Product line	Rated data (IEC 60947)			Order code number								
			Operational current I <sub>e</sub>	Operational power at 380–440 V										
			AC-21A A	AC-23A kW	AC-3 kW									
Rotary Cam Switches Switching angle 30°/45°/60°/90°	1 ... 24	P200	20 25	7,5 11	5,5 7,5	<b>P220 - 61 ... - 145M1</b> <b>P225 - 61 ... - 145M1</b>								
<b>SMD modules for basic switch A01</b>														
Mounting form module for 145M1			P200			<b>BFA2 - 145</b>								
M-operator module 64 x 64, mounting form 145M1						<b>4LM1</b>								
Legend plate silver, operator module 145M1						<b>FAS4-....</b>								
<b>Dimensions (mm)</b>														
<b>Type</b>	<b>A</b>	<b>C1</b>	<b>D</b>	<b>D1</b>	<b>D2</b>	<b>E</b>	<b>L with ... stages (max. 12)</b>							<b>each add. stage</b>
							<b>1</b>	<b>2</b>	<b>3</b>	<b>4</b>	<b>5</b>	<b>6</b>	<b>7</b>	
P220	64	39	44	15	5	31	47	60	73	86	99	112	125	13
P221	64	39	44	15	5	31	50,5	67	83,5	100	116,5	133	149,5	16,5
P225	64	39	46	15	5	31	51	66	81	96	111	126	141	15
P226	64	39	46	15	5	31	54,5	73	91,5	110	128,5	147	165,5	18,5



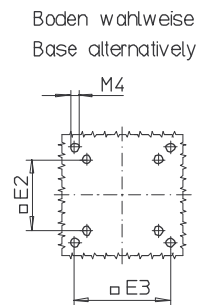
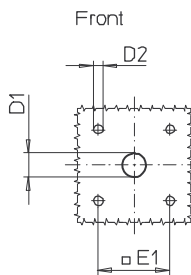
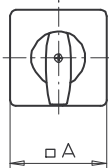
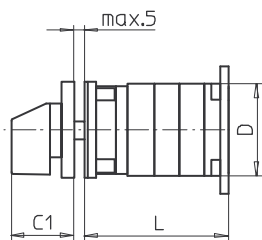
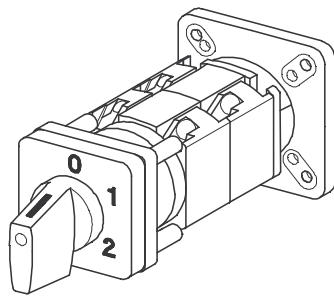


## Section B

	Page	
	from	to
<b>Base / front mounting</b>	<b>B1-1</b>	<b>B1-12</b>
<b>Door clutch with modular shaft extension</b> Four hole front mounting	<b>B2-1</b>	<b>B2-23</b>
<b>Door interlock with modular shaft extension</b> Four hole front mounting N/PE connection link	<b>B3-1</b>	<b>B3-23</b>

# Base Mounting Switches

# sälzer



**Product line  
P200**

**Base mounting switch**

**Base/front mounting**

**Four hole mounting  
36 x 36 mm front**

**002M1**

Complete switch	Poles	Product line	Rated data (IEC 60947)			Order code number
			Operational current I <sub>e</sub>	Operational power at 380–440 V		
			AC-21A A	AC-23A kW	AC-3 kW	
Rotary Cam Switches Switching angle 30°/45°/60°/90°	1 ... 24	P200	20 25	7,5 11	5,5 7,5	<b>P220 - 61 ... - 002M1</b> <b>P225 - 61 ... - 002M1</b>

### SMD modules for basic switch A02

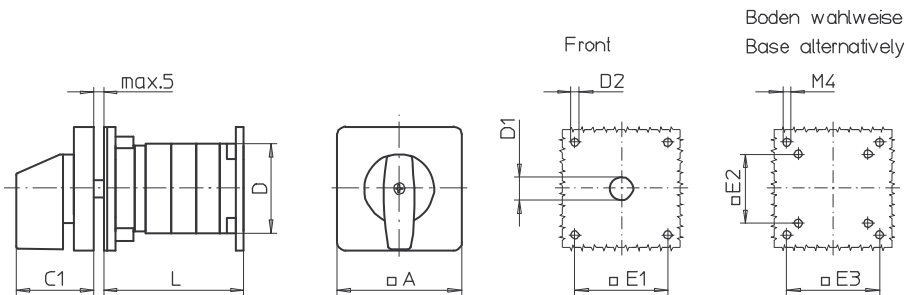
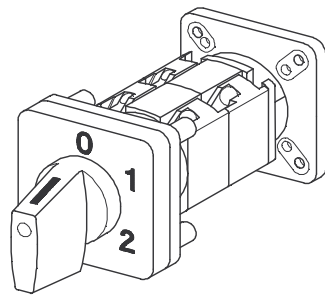
Mounting form module for 002M1	P200	<b>BFA2 - 002</b>
M-operator module 48 x 48 mm, mounting form 002M1		<b>2AM1</b>
Escutcheon black, handle black		
Legend plate silver, operator module 002M1		<b>FAS2 - .... (FA number)</b>

### Dimensions (mm)

Type	A	C1	D	D1	D2	E1	E2	L with ... stages (max. 12)						each add. stage
								1	2	3	4	5	6	
P220	48	32	44	12	4,5	36	48	47	60	73	86	99	112	13
P221	48	32	44	12	4,5	36	48	50,5	67	83,5	100	116,5	133	16,5
P225	48	32	46	12	4,5	36	48	49	64	79	94	109	124	15
P226	48	32	46	12	4,5	36	48	52,5	71	89,5	108	126,5	145	18,5

# Base Mounting Switches

**sälzer**



**Product line  
P200**

**Base mounting switch**  
Operator module of next size

**Base/front mounting**

**Four hole mounting**  
48 x 48 mm front

**012M1 (IP66)**

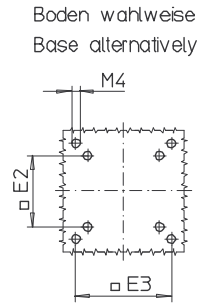
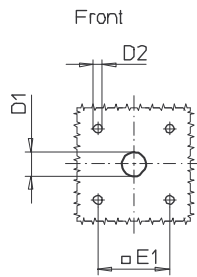
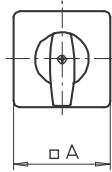
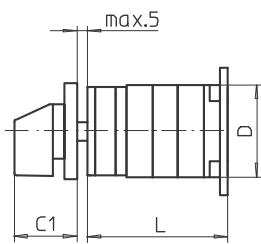
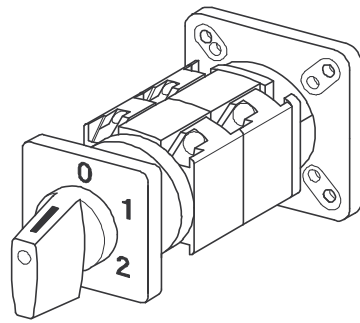
Complete switch	Poles	Product line	Rated data (IEC 60947)			Order code number
			Operational current I <sub>e</sub>	Operational power at 380–440 V		
			AC-21A A	AC-23A kW	AC-3 kW	
Rotary Cam Switches Switching angle 30°/45°/60°/90°	1 ... 24	P200	20 25	7,5 11	5,5 7,5	<b>P220 - 61 ... - 012M1</b> <b>P225 - 61 ... - 012M1</b>

SMD modules for basic switch A02			
Mounting form module for 012M1		P200	<b>BFA2 - 012</b>
M-operator module 64 x 64 mm, mounting form 012M1			<b>4AM1</b>
Escutcheon black, handle black			
Legend plate silver, operator module 012M1			<b>FAS4 - .... (FA number)</b>

Dimensions (mm)														
Type	A	C1	D	D1	D2	E1	E2	L with ... stages (max. 12)					each add. stage	
								E3	1	2	3	4		5
P220	64	39	44	15	5	48	36	48	51	64	77	90	103	13
P221	64	39	44	15	5	48	36	48	54,5	71	87,5	104	120,5	16,5
P225	64	39	46	15	5	48	36	48	55	70	85	100	115	15
P226	64	39	46	15	5	48	36	48	58,5	77	95,5	114	132,5	18,5

# Base Mounting Switches

**sälzer**



**Product line  
P200**

**Base mounting switch**

**Base mounting  
Four hole mounting**  
36 x 36 mm / 48 x 48 mm

**M-operator module**  
Escutcheon 48 x 48 mm

**155M1 (IP40)**

Complete switch	Poles	Product line	Rated data (IEC 60947)			Order code number
			Operational current I <sub>e</sub>	Operational power at 380–440 V		
			AC-21A A	AC-23A kW	AC-3 kW	
Rotary Cam Switches Switching angle 30°/45°/60°/90°	1 ... 24	P200	20 25	7,5 11	5,5 7,5	<b>P220 - 61 ... - 155M1</b> <b>P225 - 61 ... - 155M1</b>

## SMD modules for basic switch A02

Mounting form module for 155M1

P200

**BFA2 - 155**

M-operator module 48 x 48 mm, mounting form 155M1

**2AM1**

Escutcheon black, handle black

Legend plate silver, operator module 155M1

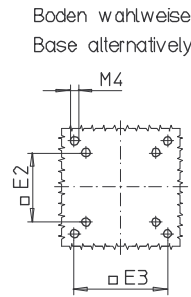
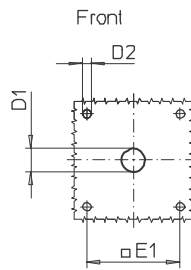
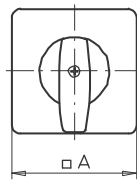
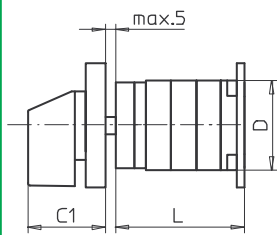
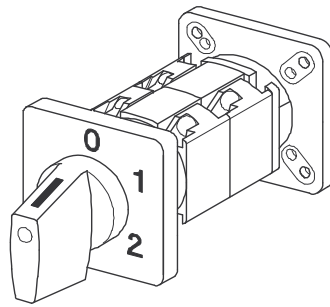
**FAS2 - .... (FA number)**

## Dimensions (mm)

Type	A	C1	D	D1	D2	E1	E2	L with ... stages (max. 12)					each add. stage	
								E3	1	2	3	4		5
P220	48	32	44	12	4,5	36	36	48	49	62	75	88	101	13
P221	48	32	44	12	4,5	36	36	48	52,5	69	85,5	102	118,5	16,5
P225	48	32	46	12	4,5	36	36	48	53	68	83	98	113	15
P226	48	32	46	12	4,5	36	36	48	56,5	75	93,5	112	130,5	18,5

# Base Mounting Switches

**sälzer**



Boden wahlweise  
Base alternatively

**Product line  
P200**

**Base mounting switch**  
Operator module of next size

**Base mounting  
Four hole mounting**

36 x 36 mm / 48 x 48 mm

**M-operator module**

Escutcheon 64 x 64 mm

**156M1 (IP40)**

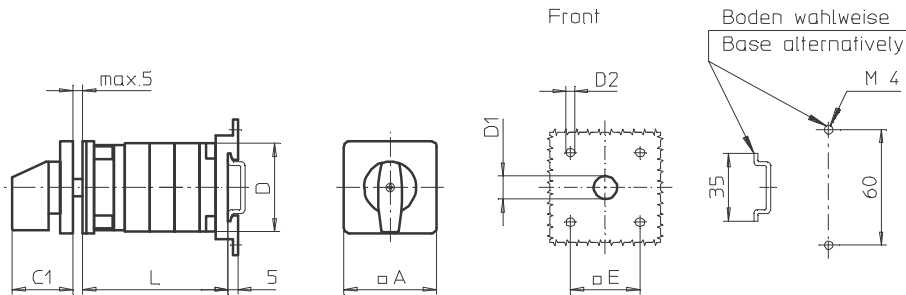
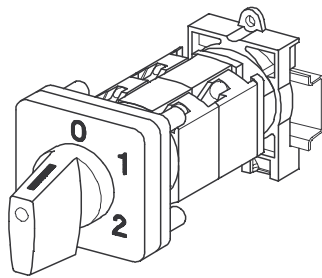
Complete switch	Poles	Product line	Rated data (IEC 60947)			Order code number
			Operational current I <sub>e</sub>	Operational power at 380–440 V		
			AC-21A A	AC-23A kW	AC-3 kW	
Rotary Cam Switches Switching angle 30°/45°/60°/90°	1 ... 24	P200	20 25	7,5 11	5,5 7,5	<b>P220 - 61 ... - 156M1</b> <b>P225 - 61 ... - 156M1</b>

SMD modules for basic switch A02			
Mounting form module for 156M1		P200	<b>BFA2 - 156</b>
M-operator module 64 x 64 mm, mounting form 156M1			<b>4AM1</b>
Escutcheon black, handle black			
Legend plate silver, operator module 156M1			<b>FAS4 - .... (FA number)</b>

Dimensions (mm)														
Type	A	C1	D	D1	D2	E1	E2	L with ... stages (max. 12)					each add. stage	
								E3	1	2	3	4		5
P220	64	39	44	12	4,5	48	36	48	49	62	75	88	101	13
P221	64	39	44	12	4,5	48	36	48	52,5	69	85,5	102	118,5	16,5
P225	64	39	46	12	4,5	48	36	48	53	68	83	98	113	15
P226	64	39	46	12	4,5	48	36	48	56,5	75	93,5	112	130,5	18,5

# Base Mounting Switches

# sälzer



**Product line  
P200**

**Base mounting switch**

**Base/front mounting**

**Four hole mounting  
36 x 36 mm front**

**021M1**

Complete switch	Poles	Product line	Rated data (IEC 60947)			Order code number
			Operational current I <sub>e</sub>	Operational power at 380–440 V		
			AC-21A A	AC-23A kW	AC-3 kW	
Rotary Cam Switches Switching angle 30°/45°/60°/90°	1 ... 24	P200	20 25	7,5 11	5,5 7,5	<b>P220 - 61 ... - 021M1</b> <b>P225 - 61 ... - 021M1</b>

### SMD modules for basic switch A02

Mounting form module for 021M1

P200

**BFA2 - 021**

M-operator module 48 x 48 mm, mounting form 021M1

**2AM1**

Escutcheon black, handle black

Legend plate silver, operator module 021M1

**FAS2 - .... (FA number)**

### Dimensions (mm)

Type	A	C1	D	D1	D2	E	L with ... stages (max. 12)							each add. stage
							1	2	3	4	5	6	7	
P220	48	32	44	12	4,5	36	46	59	72	85	98	111	124	13
P221	48	32	44	12	4,5	36	49,5	66	82,5	99	115,5	132	148,5	16,5
P225	48	32	46	12	4,5	36	48	63	78	93	108	123	138	15
P226	48	32	46	12	4,5	36	51,5	70	88,5	107	125,5	144	162,5	18,5

# Base Mounting Switches

**sälzer**

**Product line  
P200**

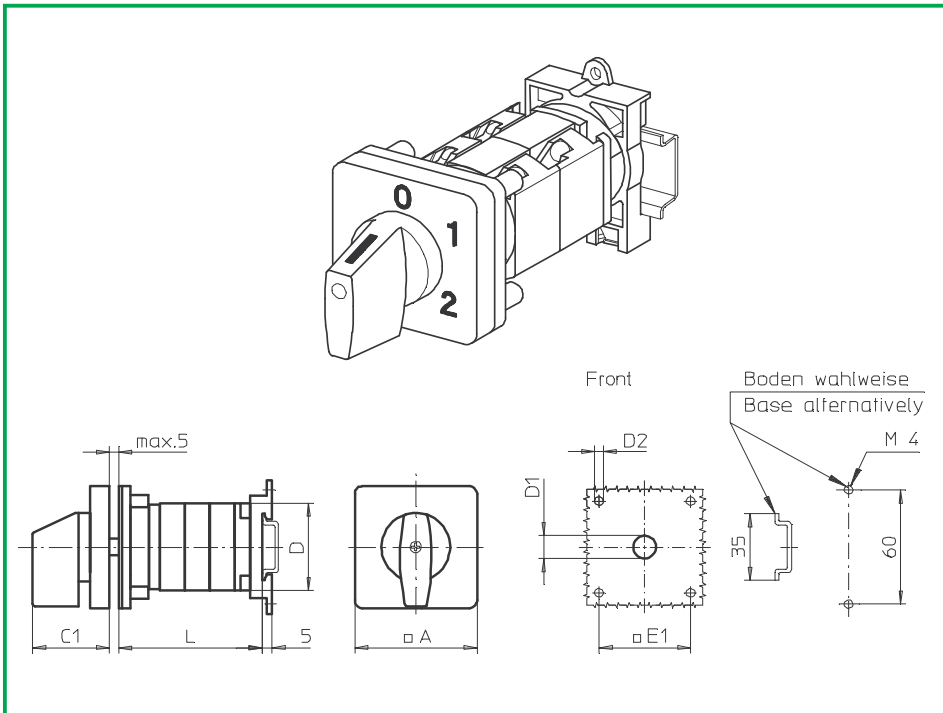
**Base mounting switch**

**Base/snap on  
mounting**

**Front mounting  
Four hole mounting**

48 x 48 mm front

**022M1 (IP66)**



Complete switch	Poles	Product line	Rated data (IEC 60947)			Order code number
			Operational current I <sub>e</sub>	Operational power at 380–440 V		
			AC-21A A	AC-23A kW	AC-3 kW	
Rotary Cam Switches Switching angle 30°/45°/60°/90°	1 ... 24	P200	20 25	7,5 11	5,5 7,5	<b>P220 - 61 ... - 022M1</b> <b>P225 - 61 ... - 022M1</b>

### SMD modules for basic switch A02

Mounting form module for 022M1	P200	<b>BFA2 - 022</b>
M-operator module 64 x 64 mm, mounting form 022M1		<b>4AM1</b>
Escutcheon black, handle black		
Legend plate silver, operator module 022M1		<b>FAS4 - .... (FA number)</b>

### Dimensions (mm)

Type	A	C1	D	D1	D2	E	L with ... stages (max. 12)							each add. stage
							1	2	3	4	5	6	7	
P220	64	39	44	15	5	48	50	63	76	89	102	115	128	13
P221	64	39	44	15	5	48	53,5	70	86,5	103	119,5	136	152,5	16,5
P225	64	39	46	15	5	48	54	69	84	99	114	129	144	15
P226	64	39	46	15	5	48	57,5	76	94,5	113	131,5	150	168,5	18,5

# Base Mounting Switches

# sälzer

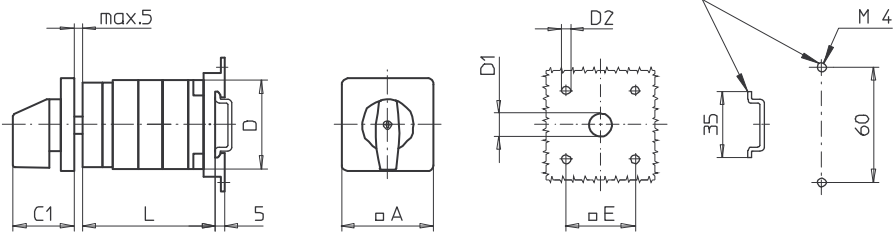
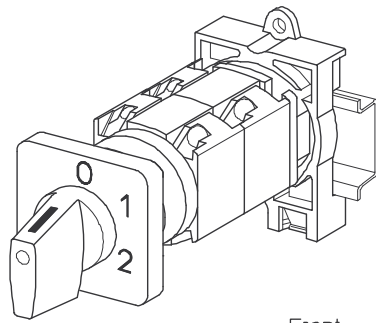
**Product line  
P200**

**Base mounting switch**

**Base/snap on  
mounting**

**M-operator module**  
Escutcheon 48 x 48 mm

**157M1 (IP40)**



**Complete switch**

**Poles**

**Product line**

**Rated data (IEC 60947)**

**Order code number**

Operational current  $I_e$     Operational power at 380–440 V

AC-21A    AC-23A    AC-3  
A    kW    kW

Rotary Cam Switches Switching angle 30°/45°/60°/90°	1 ... 24	P200	20 25	7,5 11	5,5 7,5	<b>P220 - 61 ... - 157M1</b> <b>P225 - 61 ... - 157M1</b>
--	----------	------	----------	-----------	------------	--

**SMD modules for basic switch A02**

Mounting form module for 157M1

P200

**BFA2 - 157**

M-operator module 48 x 48 mm, mounting form 157M1

**2AM1**

Escutcheon black, handle black

Legend plate silver, operator module 157M1

**FAS2 - .... (FA number)**

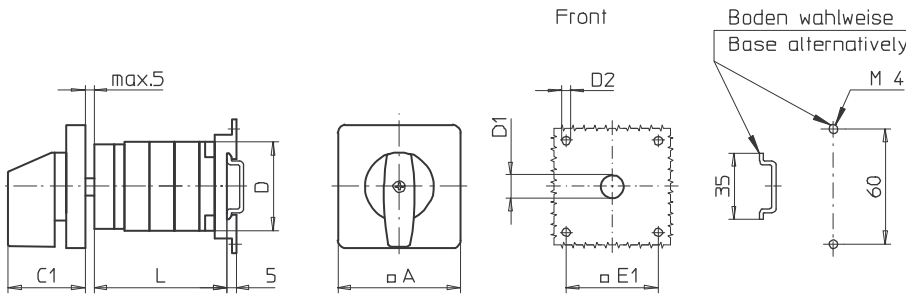
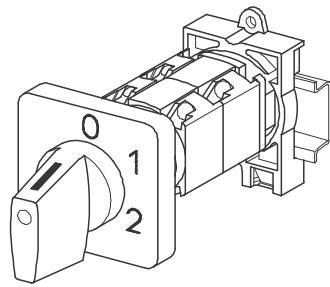
**Dimensions (mm)**

Type	A	C1	D	D1	D2	E	L with ... stages (max. 12)							each add. stage
							1	2	3	4	5	6	7	
P220	48	32	44	12	4,5	36	48	61	74	87	100	113	126	13
P221	48	32	44	12	4,5	36	51,5	68	84,5	101	117,5	134	150,5	16,5
P225	48	32	46	12	4,5	36	52	67	82	97	112	127	142	15
P226	48	32	46	12	4,5	36	55,5	74	92,5	111	129,5	148	166,5	18,5



# Base Mounting Switches

**sälzer**



**Product line  
P200**

**Base mounting switch**  
Operator module of next size

**Base/snap on  
mounting**

**M-operator module**  
Escutcheon 64 x 64 mm

**158M1 (IP40)**

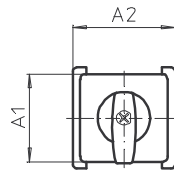
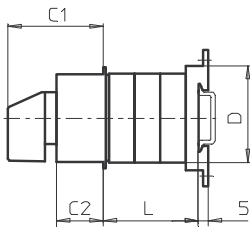
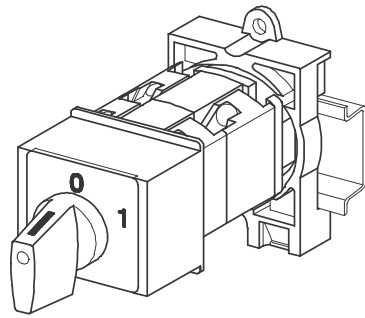
Complete switch	Poles	Product line	Rated data (IEC 60947)			Order code number
			Operational current I <sub>e</sub>	Operational power at 380–440 V		
			AC-21A A	AC-23A kW	AC-3 kW	
Rotary Cam Switches Switching angle 30°/45°/60°/90°	1 ... 24	P200	20 25	7,5 11	5,5 7,5	<b>P220 - 61 ... - 158M1</b> <b>P225 - 61 ... - 158M1</b>

SMD modules for basic switch A02			
Mounting form module for 158M1		P200	<b>BFA2 - 158</b>
M-operator module 48 x 48 mm, mounting form 158M1			<b>4AM1</b>
Escutcheon black, handle black			
Legend plate silver, operator module 158M1			<b>FAS4 - .... (FA number)</b>

Dimensions (mm)														
Type	A	C1	D	D1	D2	E	L with ... stages (max. 12)							each add. stage
							1	2	3	4	5	6	7	
P220	64	39	44	12	4,5	48	48	61	74	87	100	113	126	13
P221	64	39	44	12	4,5	48	51,5	68	84,5	101	117,5	134	150,5	16,5
P225	64	39	46	12	4,5	48	52	67	82	97	112	127	142	15
P226	64	39	46	12	4,5	48	55,5	74	92,5	111	129,5	148	166,5	18,5

# Base Mounting Switches

# sälzer



**Product line**  
**P200**

**Base mounting switch**

**Base/front mounting**

**DIN rail**  
with cover plate  
45 mm aperture

**026M1**

Complete switch	Poles	Product line	Rated data (IEC 60947)			Order code number
			Operational current I <sub>e</sub>	Operational power at 380–440 V		
			AC-21A A	AC-23A kW	AC-3 kW	
Rotary Cam Switches Switching angle 30°/45°/60°/90°	1 ... 24	P200	20 25	7,5 11	5,5 7,5	<b>P220 - 61 ... - 026M1</b> <b>P225 - 61 ... - 026M1</b>

### SMD modules for basic switch A02

Mounting form/operator module grey,  
With M-handle black, mounting form 026M1

Legend plate silver, mounting form/operator module 026M1

P200

**BFC2 - 026M1**

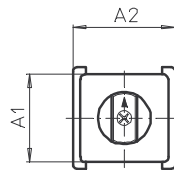
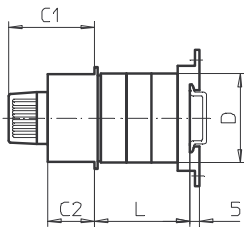
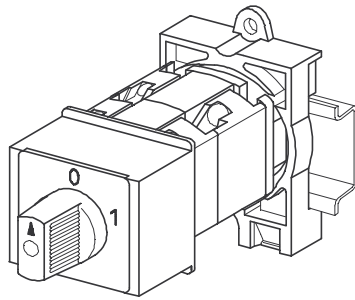
**FAV2 - .... (FA number)**

### Dimensions (mm)

Type	A1	A2	C1	C2	D	L with ... stages (max. 12)							each add. stage
						1	2	3	4	5	6	7	
P220	45	52,5	50	24	44	28	41	54	67	80	93	106	13
P221	45	52,5	50	24	44	31,5	48	64,5	81	97,5	114	130,5	16,5
P225	45	52,5	50	24	46	30	45	60	75	90	105	120	15
P226	45	52,5	50	24	46	33,5	52	70,5	89	107,5	126	144,5	18,5

# Base Mounting Switches

# sälzer



**Product line**  
**P200**

**Base mounting switch**

**Base/front mounting**

**DIN rail**  
with cover plate  
45 mm aperture

**026N2**

Complete switch	Poles	Product line	Rated data (IEC 60947)			Order code number
			Operational current I <sub>e</sub>	Operational power at 380–440 V		
			AC-21A A	AC-23A kW	AC-3 kW	
Rotary Cam Switches Switching angle 30°/45°/60°/90°	1 ... 24	P200	20 25	7,5 11	5,5 7,5	<b>P220 - 61 ... - 026N2</b> <b>P225 - 61 ... - 026N2</b>

### SMD modules for basic switch A02

Mounting form/operator module grey  
with N-handle grey, mounting form 026N2  
Legend plate silver, mounting form/operator module 026N2

P200

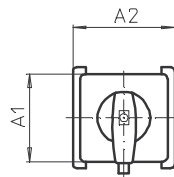
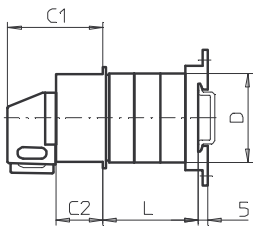
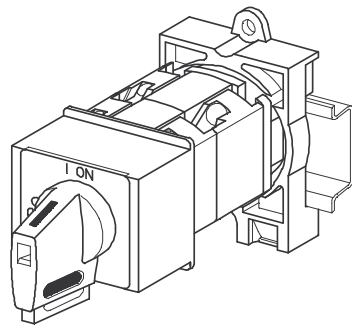
**BFC2 - 026N2**  
**FAV2 - .... (FA number)**

### Dimensions (mm)

Type	A1	A2	C1	C2	D	L with ... stages (max. 12)							each add. stage
						1	2	3	4	5	6	7	
P220	45	52,5	45	24	44	28	41	54	67	80	93	106	13
P221	45	52,5	45	24	44	31,5	48	64,5	81	97,5	114	130,5	16,5
P225	45	52,5	45	24	46	30	45	60	75	90	105	120	15
P226	45	52,5	45	24	46	33,5	52	70,5	89	107,5	126	144,5	18,5

# Base Mounting Switches

# sälzer



**Product line**  
**P200**

**Base mounting switch**

**Base/front mounting**

**DIN rail**  
with cover plate  
45 mm aperture

**026V1**  
**026V4**

Complete switch	Poles	Product line	Rated data (IEC 60947)			Order code number
			Operational current I <sub>e</sub>	Operational power at 380–440 V		
			AC-21A A	AC-23A kW	AC-3 kW	
Main Switches Switching angle 90° OFF position padlockable 09h	1 ... 24	P200	20	7,5	5,5	<b>P220 - 61 ... - 026V1</b>
			25	11	7,5	<b>P225 - 61 ... - 026V1</b>
Main/Emergency-Off Switches Switching angle 90° OFF position padlockable 09h	1 ... 24	P200	20	7,5	5,5	<b>P220 - 61 ... - 026V4</b>
			25	11	7,5	<b>P225 - 61 ... - 026V4</b>

### SMD modules for basic switch A02

Mounting form/operator module grey with V-handle black, mounting form 026V1  
Legend plate silver, mounting form/operator module 026V1  
Mounting form/operator module grey with V-handle red, mounting form 026V4  
Legend plate yellow, mounting form/operator module 026V4

P200

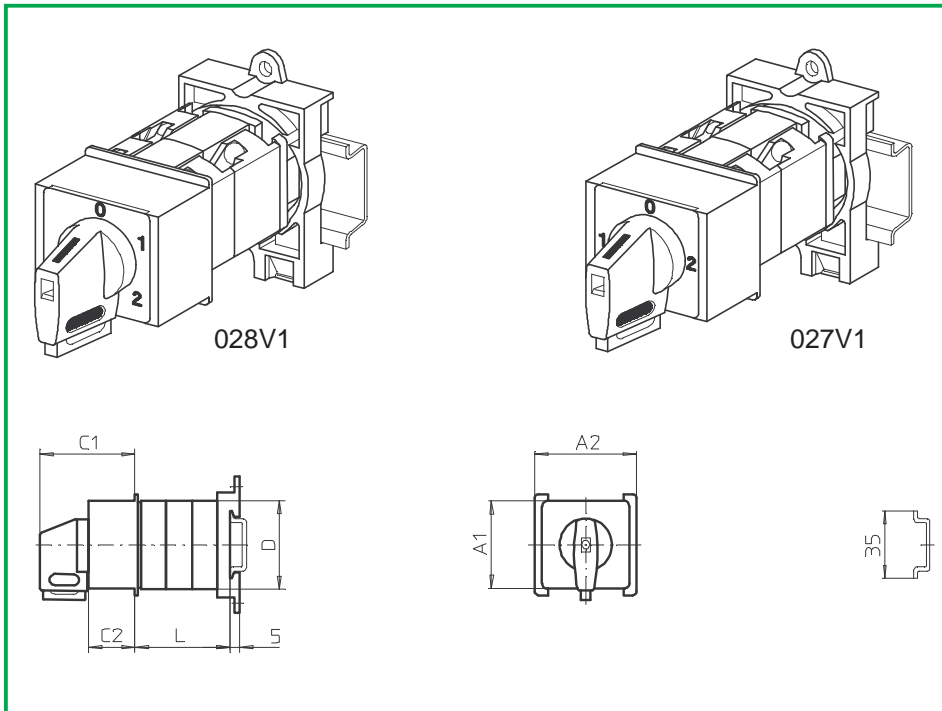
**BFC2 - 026V1**  
**FAV2 - .... (FA number)**  
**BFC2 - 026V4**  
**FBV2 - .... (FA number)**

### Dimensions (mm)

Type	A1	A2	C1	C2	D	L with ... stages (max. 12)							each add. stage
						1	2	3	4	5	6	7	
P220	45	52,5	50	24	44	28	41	54	67	80	93	106	13
P221	45	52,5	50	24	44	31,5	48	64,5	81	97,5	114	130,5	16,5
P225	45	52,5	50	24	46	30	45	60	75	90	105	120	15
P226	45	52,5	50	24	46	33,5	52	70,5	89	107,5	126	144,5	18,5

# Base Mounting Switches

**sälzer**



**Product line  
P200**

**Base mounting switch**

**Base/front mounting**

**DIN rail**  
with cover plate  
45 mm aperture

**028V1  
027V1**

Complete switch	Poles	Product line	Rated data (IEC 60947)			Order code number
			Operational current $I_e$	Operational power at 380–440 V		
			AC-21A A	AC-23A kW	AC-3 kW	
Rotary Cam Switches Switching angle 30°/45°/60°/90° Padlockable 12h	1 ... 24	P200	20	7,5	5,5	<b>P220 - 61 ... - 028V1</b>
			25	11	7,5	<b>P225 - 61 ... - 028V1</b>
Rotary Cam Switches Switching angle 90° 3 positions padlockable (09h/12h/03h)	1 ... 24	P200	20	7,5	5,5	<b>P220 - 61 ... - 027V1</b>
			25	11	7,5	<b>P225 - 61 ... - 027V1</b>

### SMD modules for basic switch A02

Mounting form/operator module grey with V-handle black, mounting form 028V1

P200

**BFB2 - 028V1**

**BFB2 - 027V1**

Mounting form/operator module grey with V-handle black, mounting form 027V1

**FAV2 - .... (FA number)**

Legend plate silver, mounting form/operator module 026V1/ 027V1

### Dimensions (mm)

Type	A1	A2	C1	C2	D	L with ... stages (max. 12)							each add. stage
						1	2	3	4	5	6	7	
P220	45	52,5	50	24	44	28	41	54	67	80	93	106	13
P221	45	52,5	50	24	44	31,5	48	64,5	81	97,5	114	130,5	16,5
P225	45	52,5	50	24	46	30	45	60	75	90	105	120	15
P226	45	52,5	50	24	46	33,5	52	70,5	89	107,5	126	144,5	18,5

# Base Mounting Switches

# sälzer

**Product line  
P200**

**Base mounting switch**

**Door clutch**

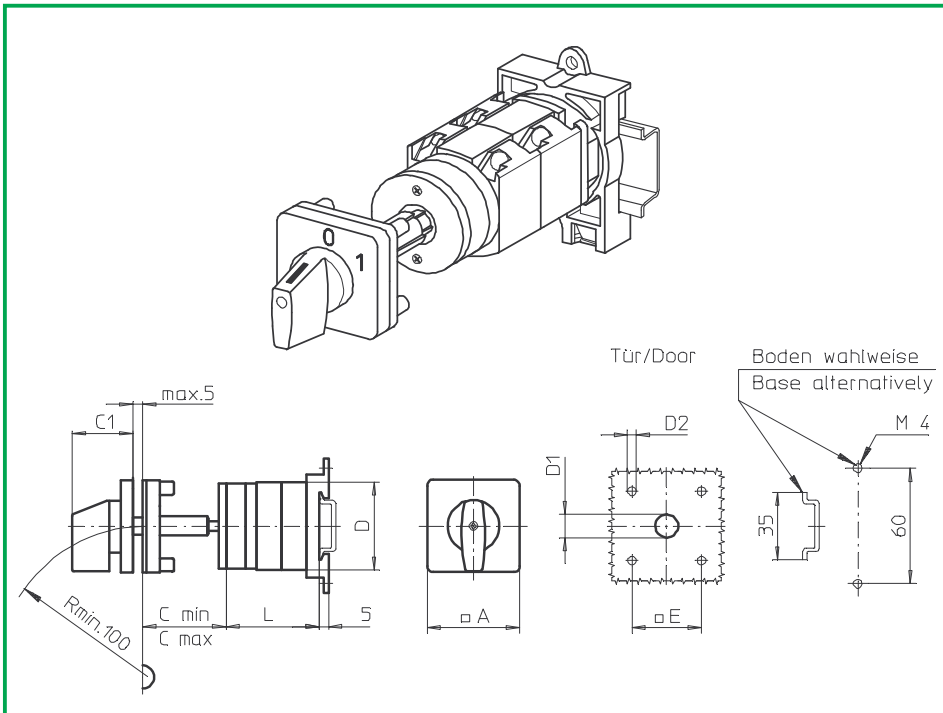
Modular shaft extension

**Four hole mounting**

36 x 36 mm front

Snap on mounting base plate

**241M1 (IP66)**



Complete switch	Poles	Product line	Rated data (IEC 60947)			Order code number
			Operational current I <sub>e</sub>	Operational power at 380–440 V		
			AC-21A A	AC-23A kW	AC-3 kW	
Rotary Cam Switches Switching angle 30°/45°/60°/90°	1 ... 24	P200	20 25	7,5 11	5,5 7,5	<b>P220 - 61 ... - 241M1</b> <b>P225 - 61 ... - 241M1</b>

### SMD modules for basic switch A02

Mounting form module for 241M1

P200

**BFB2 - 241**

M-operator module 48 x 48 mm, mounting form 241M1

**2AM1**

Escutcheon black, handle black

Legend plate silver, operator module 241M1

**FAS2 - .... (FA number)**

### Dimensions (mm)

Type	A	Cmin	Cmax	C1	D	D1	D2	E	L with ... stages (max. 12)				each add. stage
									1	2	3	4	
P220	48	42	59	32	44	12	4,5	36	40	53	66	79	13
P221	48	42	59	32	44	12	4,5	36	43,5	60	76,5	93	16,5
P225	48	42	59	32	46	12	4,5	36	42	57	72	87	15
P226	48	42	59	32	46	12	4,5	36	45,5	64	82,5	101	18,5

# Base Mounting Switches

# sälzer

**Product line  
P200**

**Base mounting switch**

**Door clutch**

Modular shaft extension

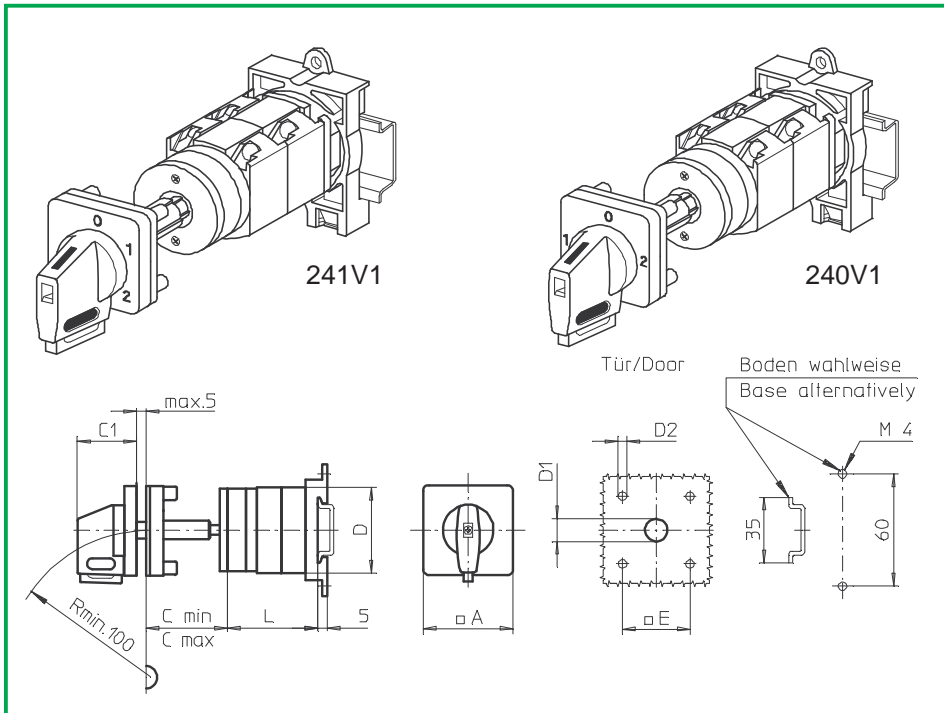
**Four hole mounting**

36 x 36 mm front

Snap on mounting base plate

**241V1 (IP66)**

**240V1 (IP66)**



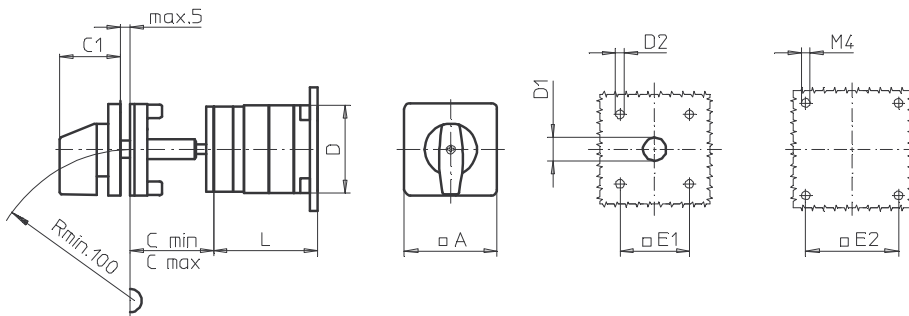
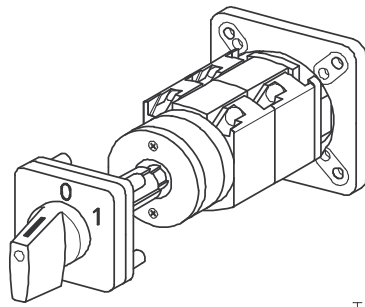
Complete switch	Poles	Product line	Rated data (IEC 60947)			Order code number
			Operational current I <sub>e</sub>	Operational power at 380–440 V		
			AC-21A A	AC-23A kW	AC-3 kW	
Rotary Cam Switches Switching angle 30°/45°/60°/90° Padlockable 12h	1 ... 24	P200	20 25	7,5 11	5,5 7,5	<b>P220 - 61 ... - 241V1</b> <b>P225 - 61 ... - 241V1</b>
Rotary Cam Switches Switching angle 90° 3 positions padlockable (09h/12h/03h)	1 ... 24	P200	20 25	7,5 11	5,5 7,5	<b>P220 - 61 ... - 240V1</b> <b>P225 - 61 ... - 240V1</b>

SMD modules for basic switch A02			
Mounting form module for 241V1/ 240V1		P200	<b>BFB2 - 241</b>
V-operator module 48 x 48 mm, mounting form 241V1 Escutcheon black, handle black			<b>2AV1 - 12</b>
V-operator module 48 x 48 mm, mounting form 240V1 Escutcheon black, handle black			<b>2AV1 - 99</b>
Legend plate silver, operator module 241V1/ 240V1			<b>FAS2 - .... (FA number)</b>

Dimensions (mm)													
Type	A	C <sub>min</sub>	C <sub>max</sub>	C1	D	D1	D2	E	L with ... stages (max. 12)				each add. stage
									1	2	3	4	
P220	48	42	59	32	44	12	4,5	36	40	53	66	79	13
P221	48	42	59	32	44	12	4,5	36	43,5	60	76,5	93	16,5
P225	48	42	59	32	46	12	4,5	36	42	57	72	87	15
P226	48	42	59	32	46	12	4,5	36	45,5	64	82,5	101	18,5

# Base Mounting Switches

# sälzer



**Product line**  
**P200**

**Base mounting switch**

**Door clutch**  
Modular shaft extension

**Four hole mounting**  
36 x 36 mm front  
48 x 48 mm base

**041M1 (IP66)**

Complete switch	Poles	Product line	Rated data (IEC 60947)			Order code number
			Operational current I <sub>e</sub>	Operational power at 380–440 V		
			AC-21A A	AC-23A kW	AC-3 kW	
Rotary Cam Switches Switching angle 30°/45°/60°/90°	1 ... 24	P200	20 25	7,5 11	5,5 7,5	<b>P220 - 61 ... - 041M1</b> <b>P225 - 61 ... - 041M1</b>

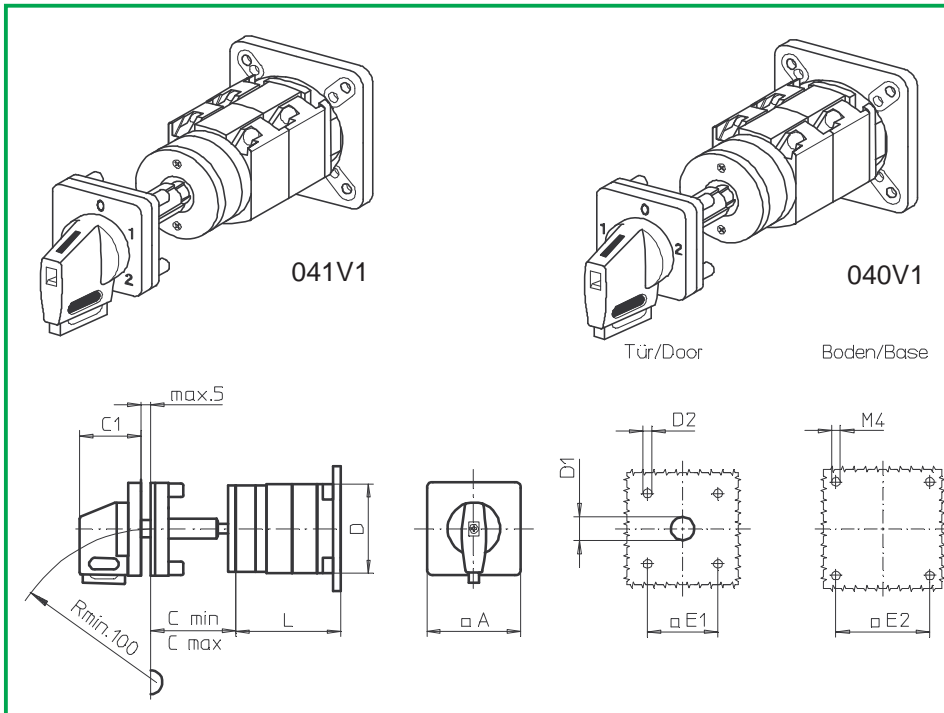
SMD modules for basic switch A02			
Mounting form module for 041M1		P200	<b>BFB2 - 041</b>
M-operator module 48 x 48 mm, mounting form 041M1			<b>2AM1</b>
Escutcheon black, handle black			
Legend plate silver, operator module 041M1			<b>FAS2 - .... (FA number)</b>

Dimensions (mm)											L with ... stages (max. 12) each add.			
Type	A	Cmin	Cmax	C1	D	D1	D2	E1	E2		1	2	3	stage
P220	48	42	59	32	44	12	4,5	36	48		41	54	67	13
P221	48	42	59	32	44	12	4,5	36	48		44,5	61	77,5	16,5
P225	48	42	59	32	46	12	4,5	36	48		43	58	73	15
P226	48	42	59	32	46	12	4,5	36	48		46,5	65	83,5	18,5



# Base Mounting Switches

# sälzer



**Product line**  
**P200**

**Base mounting switch**

**Door clutch**  
Modular shaft extension

**Four hole mounting**  
36 x 36 mm front  
48 x 48 mm base

**041V1 (IP66)**  
**040V1 (IP66)**

Complete switch	Poles	Product line	Rated data (IEC 60947)			Order code number
			Operational current I <sub>e</sub>	Operational power at 380–440 V		
			AC-21A A	AC-23A kW	AC-3 kW	
Rotary Cam Switches Switching angle 30°/45°/60°/90° Padlockable 12h	1 ... 24	P200	20 25	7,5 11	5,5 7,5	<b>P220 - 61 ... - 041V1</b> <b>P225 - 61 ... - 041V1</b>
Rotary Cam Switches Switching angle 90° 3 positions padlockable (09h/12h/03h)	1 ... 24	P200	20 25	7,5 11	5,5 7,5	<b>P220 - 61 ... - 040V1</b> <b>P225 - 61 ... - 040V1</b>

### SMD modules for basic switch A02

Mounting form module for 041V1/ 040V1	P200	<b>BFB2 - 041</b>
V-operator module 48 x 48 mm, mounting form 041V1 Escutcheon black, handle black		<b>2AV1 - 12</b>
V-operator module 48 x 48 mm, mounting form 040V1 Escutcheon black, handle black		<b>2AV1 - 99</b>
Legend plate silver, operator module 041V1/ 040V1		<b>FAS2 - .... (FA number)</b>

### Dimensions (mm)

Type	A	Cmin	Cmax	C1	D	D1	D2	E1	E2	L with ... stages (max. 12) each add.			
										1	2	3	stage
P220	48	42	59	32	44	12	4,5	36	48	41	54	67	13
P221	48	42	59	32	44	12	4,5	36	48	44,5	61	77,5	16,5
P225	48	42	59	32	46	12	4,5	36	48	43	58	73	15
P226	48	42	59	32	46	12	4,5	36	48	46,5	65	83,5	18,5

# Base Mounting Switches

**sälzer**

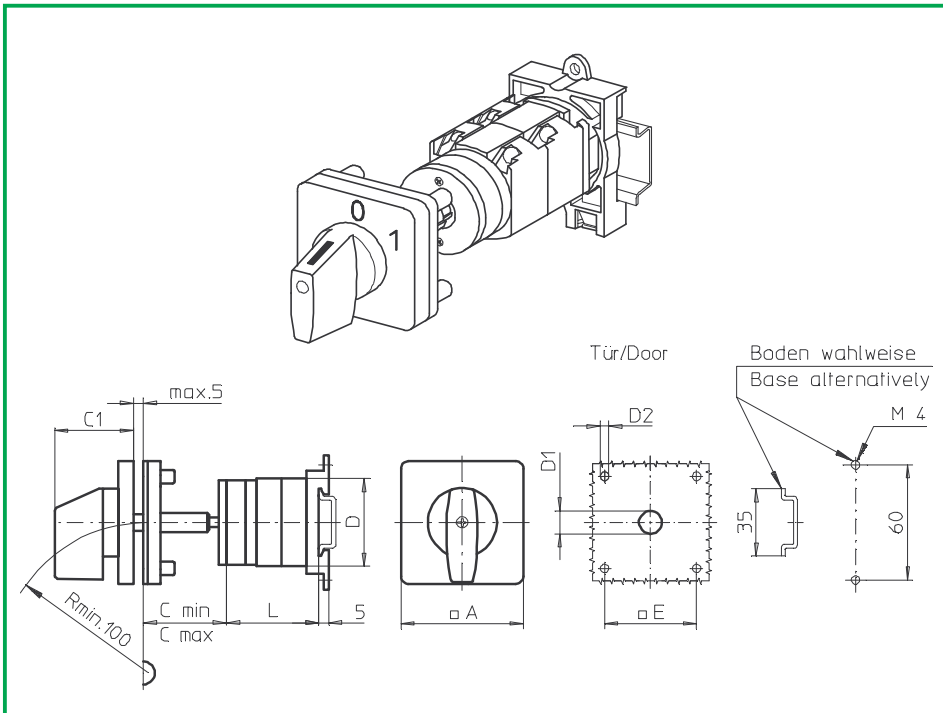
**Product line  
P200**

**Base mounting switch**  
operator module of next size

**Door clutch**  
Modular shaft extension

**Four hole mounting**  
48 x 48 mm front  
Snap on mounting base plate

**247M1 (IP66)**



Complete switch	Poles	Product line	Rated data (IEC 60947)			Order code number
			Operational current I <sub>e</sub>	Operational power at 380–440 V		
			AC-21A A	AC-23A kW	AC-3 kW	
Rotary Cam Switches Switching angle 30°/45°/60°/90°	1 ... 24	P200	20 25	7,5 11	5,5 7,5	<b>P220 - 61 ... - 247M1</b> <b>P225 - 61 ... - 247M1</b>

## SMD modules for basic switch A02

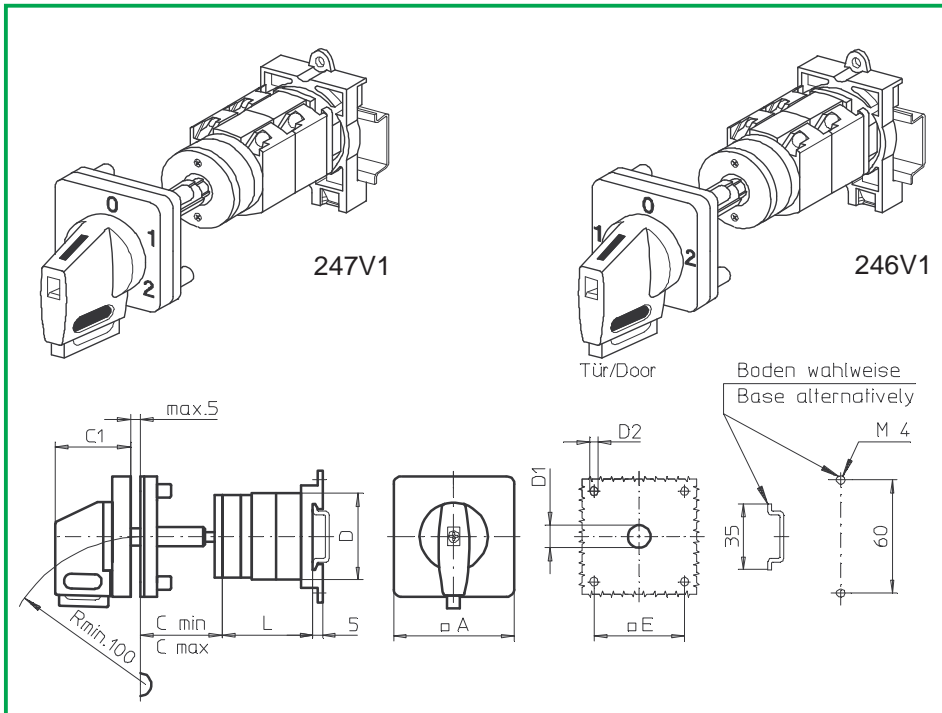
Mounting form module for 247M1	P200	<b>BFC2 - 247</b>
M-operator module 64 x 64 mm, mounting form 247M1		<b>4AM1</b>
Escutcheon black, handle black		
Legend plate silver, operator module 247M1		<b>FAS4 - .... (FA number)</b>

## Dimensions (mm)

Type	A	C <sub>min</sub>	C <sub>max</sub>	C1	D	D1	D2	E	L with ... stages (max. 12)				each add. stage
									1	2	3	4	
P220	64	42	59	39	44	15	5	48	40	53	66	79	13
P221	64	42	59	39	44	15	5	48	43,5	60	76,5	93	16,5
P225	64	42	59	39	46	15	5	48	42	57	72	87	15
P226	64	42	59	39	46	15	5	48	45,5	64	82,5	101	18,5

# Base Mounting Switches

**sälzer**



**Product line  
P200**

**Base mounting switch**  
operator module of next size

**Door clutch**  
Modular shaft extension

**Four hole mounting**  
48 x 48 mm front  
Snap on mounting base plate

**247V1 (IP66)**

**246V1 (IP66)**

Complete switch	Poles	Product line	Rated data (IEC 60947)			Order code number
			Operational current I <sub>e</sub>	Operational power at 380–440 V		
			AC-21A A	AC-23A kW	AC-3 kW	
Rotary Cam Switches Switching angle 30°/45°/60°/90° Padlockable 12h	1 ... 24	P200	20 25	7,5 11	5,5 7,5	<b>P220 - 61 ... - 247V1</b> <b>P225 - 61 ... - 247V1</b>
Rotary Cam Switches Switching angle 90° 3 positions padlockable (09h/12h/03h)	1 ... 24	P200	20 25	7,5 11	5,5 7,5	<b>P220 - 61 ... - 246V1</b> <b>P225 - 61 ... - 246V1</b>

### SMD modules for basic switch A02

Mounting form module for 247V1/ 246V1

P200

**BFC2 - 247**

V-operator module 64 x 64 mm, mounting form 247V1  
Escutcheon black, handle black

**4AV1 - 12**

V-operator module 64 x 64 mm, mounting form 246V1  
Escutcheon black, handle black

**4AV1 - 99**

Legend plate silver, operator module 247V1/ 246V1

**FAS4 - .... (FA number)**

### Dimensions (mm)

Type	A	C <sub>min</sub>	C <sub>max</sub>	C <sub>1</sub>	D	D <sub>1</sub>	D <sub>2</sub>	E	L with ... stages (max. 12)				each add. stage
									1	2	3	4	
P220	64	42	59	39	44	15	5	48	40	53	66	79	13
P221	64	42	59	39	44	15	5	48	43,5	60	76,5	93	16,5
P225	64	42	59	39	46	15	5	48	42	57	72	87	15
P226	64	42	59	39	46	15	5	48	45,5	64	82,5	101	18,5

# Base Mounting Switches

# sälzer

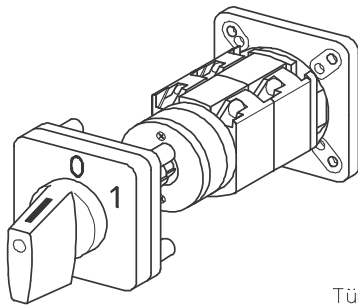
**Product line**  
**P200**

**Base mounting switch**  
operator module of next size

**Door clutch**  
Modular shaft extension

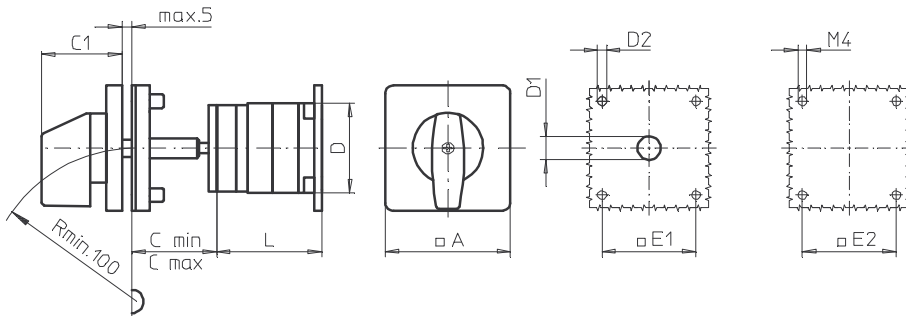
**Four hole mounting**  
48 x 48 mm front  
48 x 48 mm base

**047M1 (IP66)**



Tür/Door

Boden/Base



## Complete switch

## Poles

## Product line

## Rated data (IEC 60947)

## Order code number

Operational current  $I_e$

Operational power at 380–440 V

AC-21A A	AC-23A kW	AC-3 kW
20	7,5	5,5
25	11	7,5

Rotary Cam Switches  
Switching angle 30°/45°/60°/90°

1 ... 24

P200

**P220 - 61 ... - 047M1**  
**P225 - 61 ... - 047M1**

## SMD modules for basic switch A02

Mounting form module for 047M1

M-operator module 64 x 64 mm, mounting form 047M1

Escutcheon black, handle black

Legend plate silver, operator module 047M1

P200

**BFC2 - 047**  
**4AM1**

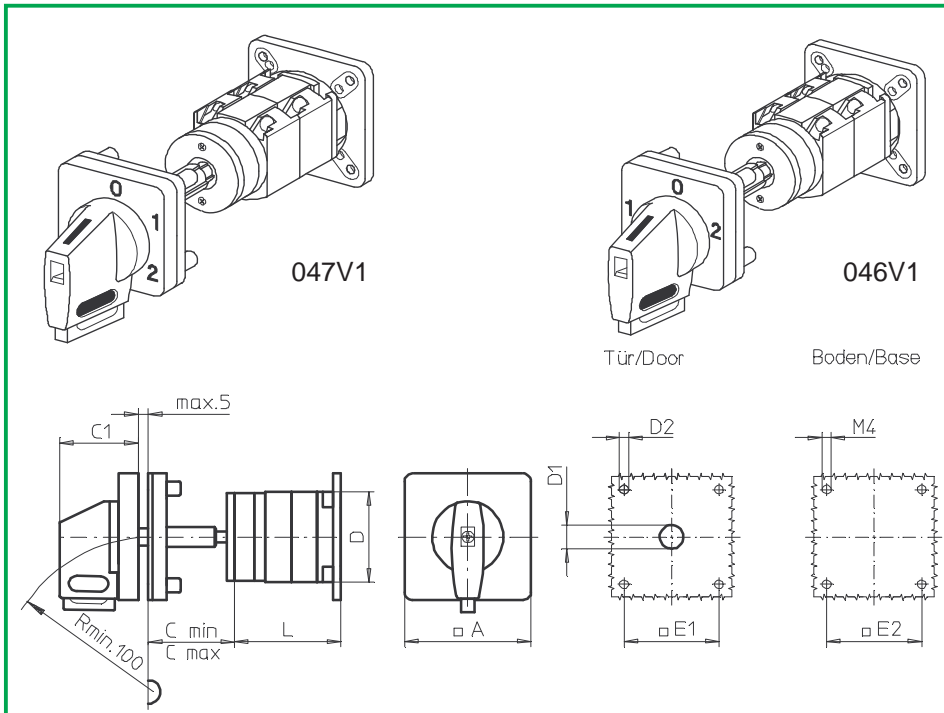
**FAS4 - .... (FA number)**

## Dimensions (mm)

Type	A	Cmin	Cmax	C1	D	D1	D2	E1	E2	L with ... stages (max. 12) each add.			
										1	2	3	stage
P220	64	42	59	39	44	15	5	48	48	41	54	67	13
P221	64	42	59	39	44	15	5	48	48	44,5	61	77,5	16,5
P225	64	42	59	39	46	15	5	48	48	43	58	73	15
P226	64	42	59	39	46	15	5	48	48	46,5	65	83,5	18,5

# Base Mounting Switches

**sälzer**



**Product line  
P200**

**Base mounting switch  
operator module of next size**

**Door clutch  
Modular shaft extension**

**Four hole mounting  
48 x 48 mm front  
48 x 48 mm base**

**047V1 (IP66)**

**046V1 (IP66)**

Complete switch	Poles	Product line	Rated data (IEC 60947)			Order code number
			Operational current I <sub>e</sub>	Operational power at 380–440 V		
			AC-21A A	AC-23A kW	AC-3 kW	
Rotary Cam Switches Switching angle 30°/45°/60°/90° Padlockable 12h	1 ... 24	P200	20 25	7,5 11	5,5 7,5	<b>P220 - 61 ... - 047V1</b> <b>P225 - 61 ... - 047V1</b>
Rotary Cam Switches Switching angle 90° 3 positions padlockable (09h/12h/03h)	1 ... 24	P200	20 25	7,5 11	5,5 7,5	<b>P220 - 61 ... - 046V1</b> <b>P225 - 61 ... - 046V1</b>

## SMD modules for basic switch A02

Mounting form module for 047V1/ 046V1

P200

**BFC2 -047**

V-operator module 64 x 64 mm, mounting form 047V1  
Escutcheon black, handle black

**4AV1 - 12**

V-operator module 64 x 64 mm, mounting form 046V1  
Escutcheon black, handle black

**4AV1 - 99**

Legend plate silver, operator module 047V1/ 046V1

**FAS4 - .... (FA number)**

## Dimensions (mm)

Type	A	C <sub>min</sub>	C <sub>max</sub>	C1	D	D1	D2	E1	E2	L with ... stages (max. 12) each add.			
										1	2	3	stage
P220	64	42	59	39	44	15	5	48	48	41	54	67	13
P221	64	42	59	39	44	15	5	48	48	44,5	61	77,5	16,5
P225	64	42	59	39	46	15	5	48	48	43	58	73	15
P226	64	42	59	39	46	15	5	48	48	46,5	65	83,5	18,5

# Base Mounting Switches

**sälzer**

**Product line  
P200**

**Base mounting switch**

**Door clutch**

Modular shaft extension

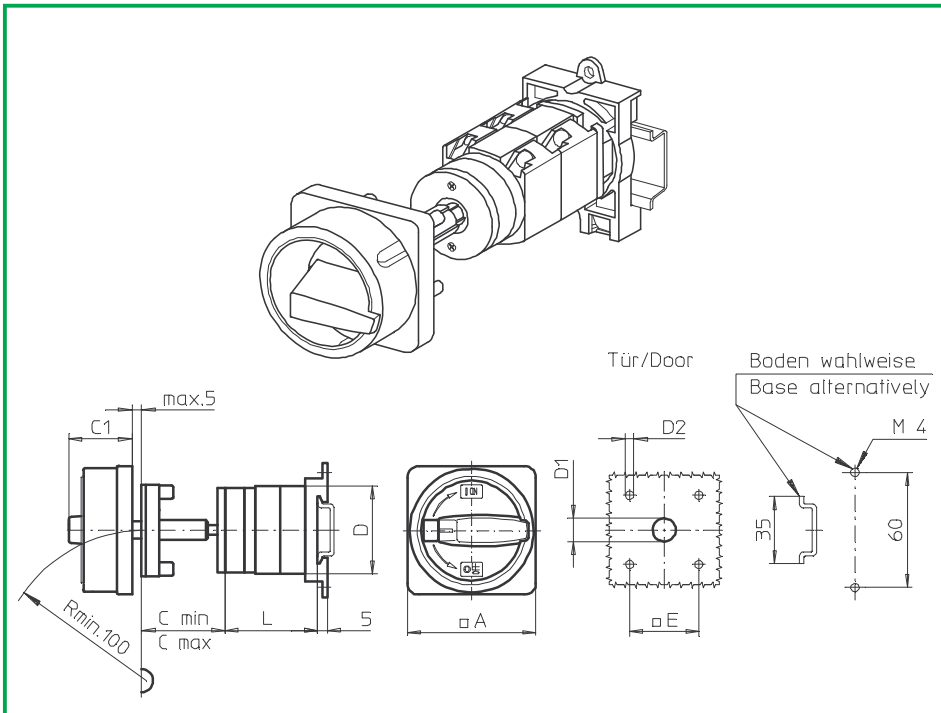
**Four hole mounting**

36 x 36 mm front

Snap on mounting base plate

**232M1 (IP66)**

**232M4 (IP66)**



Complete switch	Poles	Product line	Rated data (IEC 60947)			Order code number							
			Operational current I <sub>e</sub>	Operational power at 380–440 V									
			AC-21A A	AC-23A kW	AC-3 kW								
Main Switches Switching angle 90° OFF position padlockable 09h	1 ... 24	P200	20 25	7,5 11	5,5 7,5	<b>P220 - 61 ... - 232M1</b> <b>P225 - 61 ... - 232M1</b>							
Main/Emergency-Off Switches Switching angle 90° OFF position padlockable 09h	1 ... 24	P200	20 25	7,5 11	5,5 7,5	<b>P220 - 61 ... - 232M4</b> <b>P225 - 61 ... - 232M4</b>							
<b>SMD modules for basic switch A02</b>													
Mounting form module for 232M.			P200			<b>BFC2 - 232</b>							
M-padlock device 67 x 67 mm, mounting form 232M1 Escutcheon black, padlockable handle black						<b>2CM1</b>							
M-padlock device 67 x 67 mm, mounting form 232M4 Escutcheon yellow, padlockable handle red						<b>2CM4</b>							
<b>Dimensions (mm)</b>													
Type	A	C <sub>min</sub>	C <sub>max</sub>	C1	D	D1	D2	E	L with ... stages (max. 12)				each add. stage
									1	2	3	4	
P220	67	42	59	38	44	15	4,5	36	40	53	66	79	13
P221	67	42	59	38	44	15	4,5	36	43,5	60	76,5	93	16,5
P225	67	42	59	38	46	15	4,5	36	42	57	72	87	15
P226	67	42	59	38	46	15	4,5	36	45,5	64	82,5	101	18,5

# Base Mounting Switches

**sälzer**

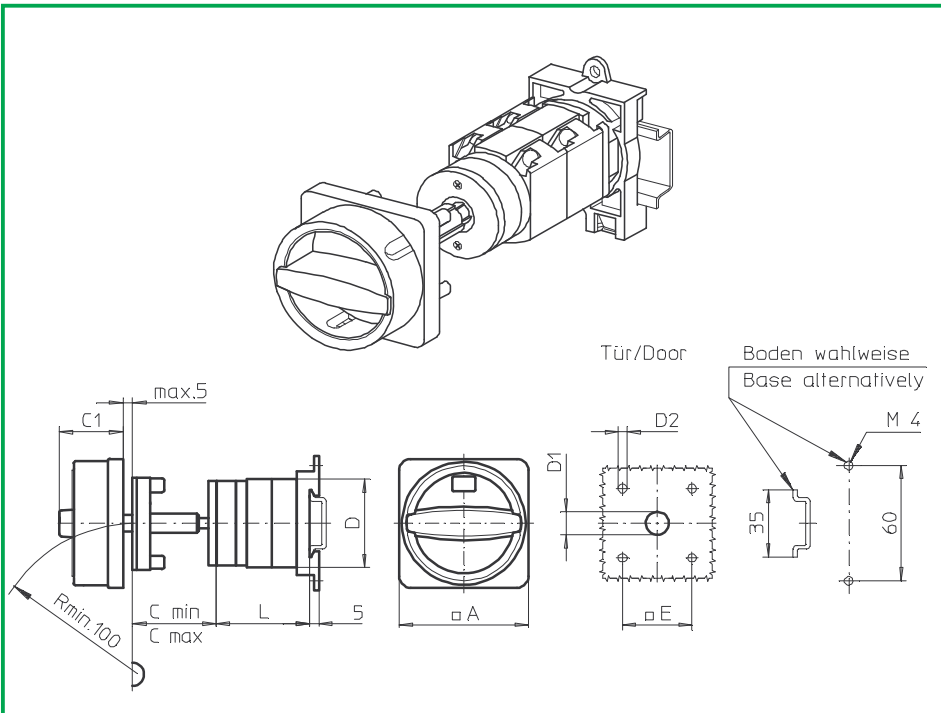
**Product line  
P200**

**Base mounting switch**

**Door clutch**  
Modular shaft extension

**Four hole mounting**  
36 x 36 mm front  
Snap on mounting base plate

**232N1 (IP66)**  
**232N4 (IP66)**



Complete switch	Poles	Product line	Rated data (IEC 60947)			Order code number
			Operational current I <sub>e</sub>	Operational power at 380–440 V		
			AC-21A A	AC-23A kW	AC-3 kW	
Main Switches Switching angle 90° OFF position padlockable 09h	1 ... 24	P200	20	7,5	5,5	<b>P220 - 61 ... - 232N1</b>
			25	11	7,5	<b>P225 - 61 ... - 232N1</b>
Main/Emergency-Off Switches Switching angle 90° OFF position padlockable 09h	1 ... 24	P200	20	7,5	5,5	<b>P220 - 61 ... - 232N4</b>
			25	11	7,5	<b>P225 - 61 ... - 232N4</b>

SMD modules for basic switch A02			
Mounting form module for 232N.		P200	<b>BFC2 - 232</b>
N-padlock device 67 x 67 mm, mounting form 232N1 Escutcheon black, padlockable handle black			<b>2CN1</b>
N-padlock device 67 x 67 mm, mounting form 232N4 Escutcheon yellow, padlockable handle red			<b>2CN4</b>

Dimensions (mm)													
Type	A	C <sub>min</sub>	C <sub>max</sub>	C1	D	D1	D2	E	L with ... stages (max. 12)				each add. stage
									1	2	3	4	
P220	67	42	59	33	44	15	4,5	36	40	53	66	79	13
P221	67	42	59	33	44	15	4,5	36	43,5	60	76,5	93	16,5
P225	67	42	59	33	46	15	4,5	36	42	57	72	87	15
P226	67	42	59	33	46	15	4,5	36	45,5	64	82,5	101	18,5

# Base Mounting Switches

# sälzer

**Product line**  
**P200**

**Base mounting switch**

**Door clutch**

Modular shaft extension

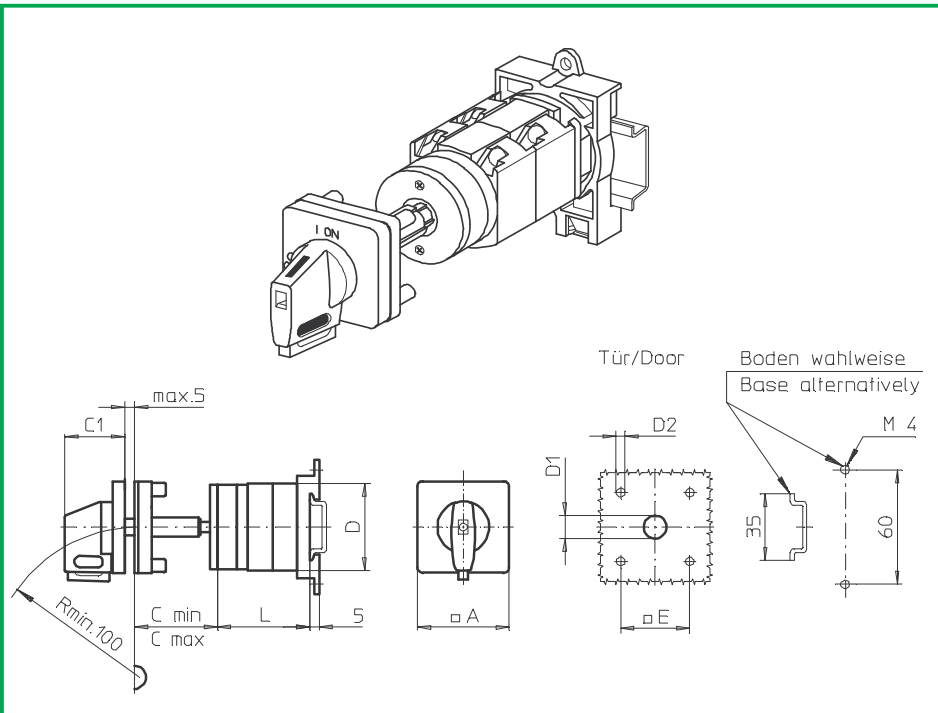
**Four hole mounting**

36 x 36 mm front

Snap on mounting base plate

**232V1 (IP66)**

**232V4 (IP66)**



Complete switch	Poles	Product line	Rated data (IEC 60947)			Order code number
			Operational current I <sub>e</sub>	Operational power at 380–440 V		
			AC-21A A	AC-23A kW	AC-3 kW	
Main Switches Switching angle 90° OFF position padlockable 09h	1 ... 24	P200	20	7,5	5,5	<b>P220 - 61 ... - 232V1</b>
			25	11	7,5	<b>P225 - 61 ... - 232V1</b>
Main/Emergency-Off Switches Switching angle 90° OFF position padlockable 09h	1 ... 24	P200	20	7,5	5,5	<b>P220 - 61 ... - 232V4</b>
			25	11	7,5	<b>P225 - 61 ... - 232V4</b>

## SMD modules for basic switch A02

Mounting form module for 232V.

P200

**BFB2 - 241**

V-operator module 48 x 48 mm, mounting form 232V1  
Escutcheon black, handle black

**2AV1 - 09**

Legend plate silver, operator module 232V1

**FAS2 - 9078**

V-operator module 48 x 48 mm, mounting form 232V4  
Escutcheon black, handle red

**2AV4 - 09**

Legend plate yellow, operator module 232V4

**FBS2 - 9078**

## Dimensions (mm)

Type	A	C <sub>min</sub>	C <sub>max</sub>	C1	D	D1	D2	E	L with ... stages (max. 12)				each add. stage
									1	2	3	4	
P220	48	42	59	32	44	12	4,5	36	40	53	66	79	13
P221	48	42	59	32	44	12	4,5	36	43,5	60	76,5	93	16,5
P225	48	42	59	32	46	12	4,5	36	42	57	72	87	15
P226	48	42	59	32	46	12	4,5	36	45,5	64	82,5	101	18,5



# Base Mounting Switches

# sälzer

**Product line**  
**P200**

**Base mounting switch**

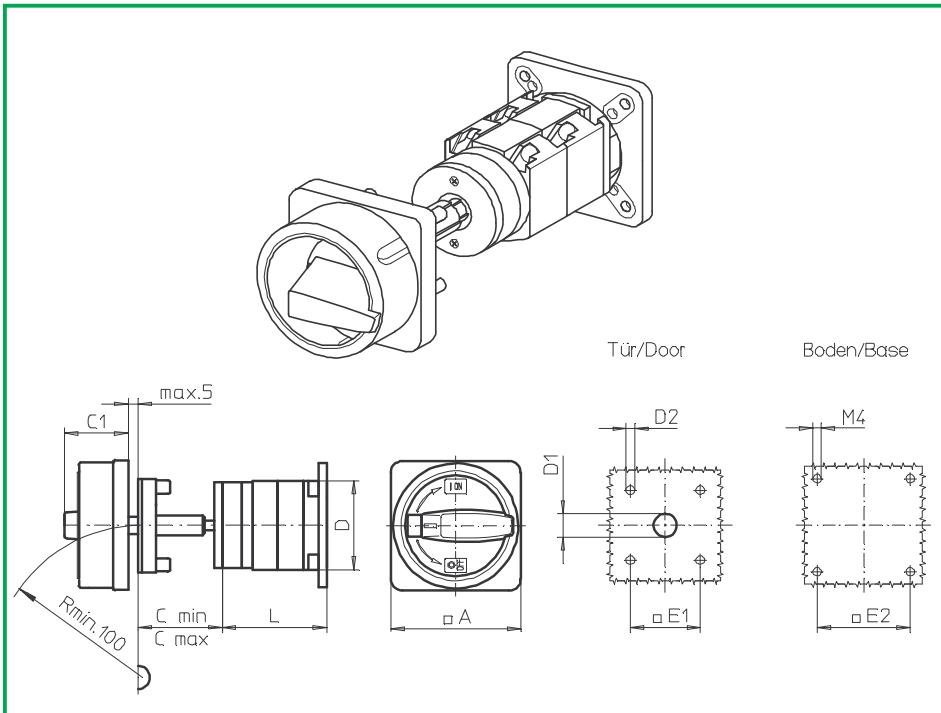
**Door clutch**  
Modular shaft extension

**Four hole mounting**

36 x 36 mm front  
48 x 48 mm base

**032M1 (IP66)**

**032M4 (IP66)**



Complete switch	Poles	Product line	Rated data (IEC 60947)			Order code number
			Operational current I <sub>e</sub>	Operational power at 380–440 V		
			AC-21A A	AC-23A kW	AC-3 kW	
Main Switches Switching angle 90° OFF position padlockable 09h	1 ... 24	P200	20	7,5	5,5	<b>P220 - 61 ... - 032M1</b>
			25	11	7,5	<b>P225 - 61 ... - 032M1</b>
Main/Emergency-Off Switches Switching angle 90° OFF position padlockable 09h	1 ... 24	P200	20	7,5	5,5	<b>P220 - 61 ... - 032M4</b>
			25	11	7,5	<b>P225 - 61 ... - 032M4</b>

SMD modules for basic switch A02			
Mounting form module for 032M.		P200	<b>BFC2 - 032</b>
M-padlock device 67 x 67 mm, mounting form 032M1 Escutcheon black, padlockable handle black			<b>2CM1</b>
M-padlock device 67 x 67 mm, mounting form 032M4 Escutcheon yellow, padlockable handle red			<b>2CM4</b>

Dimensions (mm)										L with ... stages (max. 12) each add.			
Type	A	Cmin	Cmax	C1	D	D1	D2	E1	E2	1	2	3	stage
P220	67	42	59	39	44	15	4,5	36	48	41	54	67	13
P221	67	42	59	39	44	15	4,5	36	48	44,5	61	77,5	16,5
P225	67	42	59	39	46	15	4,5	36	48	43	58	73	15
P226	67	42	59	39	46	15	4,5	36	48	46,5	65	83,5	18,5

# Base Mounting Switches

# sälzer

**Product line  
P200**

**Base mounting switch**

**Door clutch**

Modular shaft extension

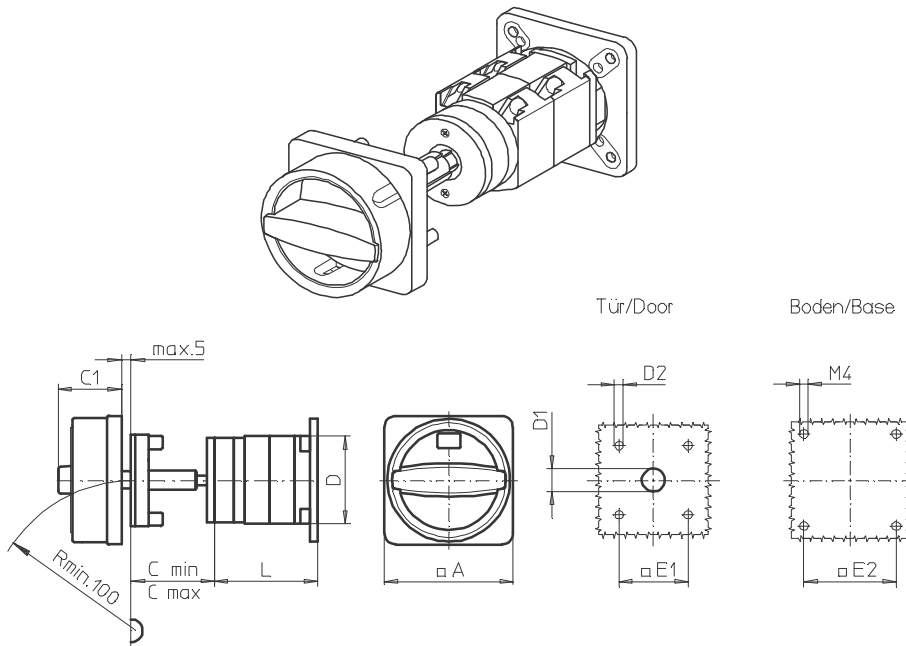
**Four hole mounting**

36 x 36 mm front

48 x 48 mm base

**032N1 (IP66)**

**032N4 (IP66)**



## Complete switch

## Poles

## Product line

## Rated data (IEC 60947)

## Order code number

Operational current  $I_e$

Operational power at 380–440 V

AC-21A A	AC-23A kW	AC-3 kW
-------------	--------------	------------

Main Switches  
Switching angle 90°  
OFF position padlockable 09h

1 ... 24

P200

20	7,5	5,5
25	11	7,5

20	7,5	5,5
25	11	7,5

<b>P220 - 61 ... - 032N1</b>
<b>P225 - 61 ... - 032N1</b>

Main/Emergency-Off Switches  
Switching angle 90°  
OFF position padlockable 09h

1 ... 24

P200

<b>P220 - 61 ... - 032N4</b>
<b>P225 - 61 ... - 032N4</b>

## SMD modules for basic switch A02

Mounting form module for 032N.

N-padlock device 67 x 67 mm, mounting form 032N1  
Escutcheon black, padlockable handle black

N-padlock device 67 x 67 mm, mounting form 032N4  
Escutcheon yellow, padlockable handle red

P200

**BFC2 - 032  
2CN1**

**2CN4**

## Dimensions (mm)

Type	A	Cmin	Cmax	C1	D	D1	D2	E1	E2	L with ... stages (max. 12) each add.			
										1	2	3	stage
P220	67	42	59	33	44	15	4,5	36	48	41	54	67	13
P221	67	42	59	33	44	15	4,5	36	48	44,5	61	77,5	16,5
P225	67	42	59	33	46	15	4,5	36	48	43	58	73	15
P226	67	42	59	33	46	15	4,5	36	48	46,5	65	83,5	18,5

# Base Mounting Switches

# sälzer

**Product line  
P200**

**Base mounting switch**

**Door clutch**

Modular shaft extension

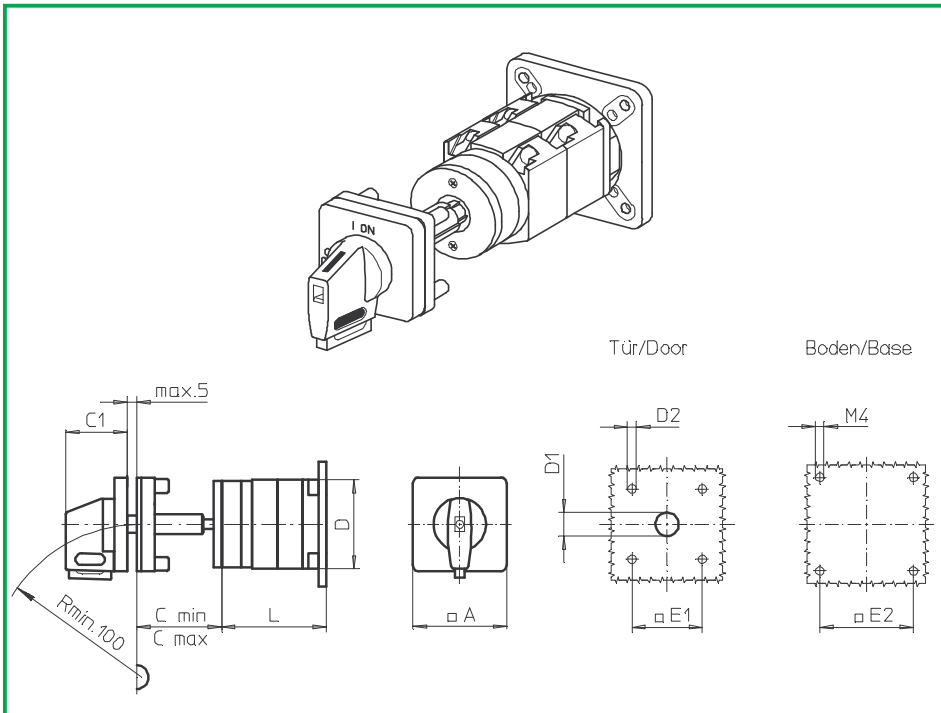
**Four hole mounting**

36 x 36 mm front

48 x 48 mm base

**032V1 (IP66)**

**032V4 (IP66)**



Complete switch	Poles	Product line	Rated data (IEC 60947)			Order code number
			Operational current $I_e$	Operational power at 380–440 V		
			AC-21A A	AC-23A kW	AC-3 kW	
Main Switches Switching angle 90° OFF position padlockable 09h	1 ... 24	P200	20	7,5	5,5	<b>P220 - 61 ... - 032V1</b>
			25	11	7,5	<b>P225 - 61 ... - 032V1</b>
Main/Emergency-Off Switches Switching angle 90° OFF position padlockable 09h	1 ... 24	P200	20	7,5	5,5	<b>P220 - 61 ... - 032V4</b>
			25	11	7,5	<b>P225 - 61 ... - 032V4</b>

### SMD modules for basic switch A02

Mounting form module for 032V.

P200

**BFB2 - 041**

V-operator module 48 x 48 mm, mounting form 032V1  
Escutcheon black, handle black

**2AV1 - 09**

Legend plate silver, operator module 032V1

**FAS2 - 9078**

V-operator module 48 x 48 mm, mounting form 032V4  
Escutcheon black, handle red

**2AV4 - 09**

Legend plate yellow, operator module 032V4

**FBS2 - 9078**

### Dimensions (mm)

Type	A	Cmin	Cmax	C1	D	D1	D2	E1	E2	L with ... stages (max. 12) each add.			
										1	2	3	stage
P220	48	42	59	32	44	12	4,5	36	48	41	54	67	13
P221	48	42	59	32	44	12	4,5	36	48	44,5	61	77,5	16,5
P225	48	42	59	32	46	12	4,5	36	48	43	58	73	15
P226	48	42	59	32	46	12	4,5	36	48	46,5	65	83,5	18,5

# Base Mounting Switches

# sälzer

**Product line**  
**P200**

**Base mounting switch**

**Door clutch**

Modular shaft extension

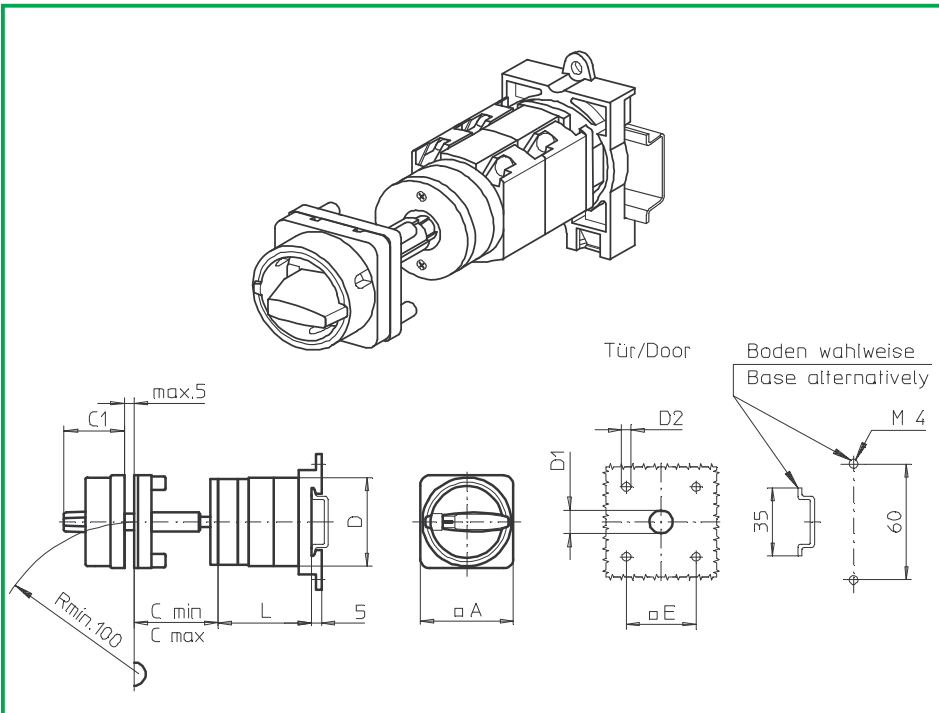
**Four hole mounting**

36 x 36 mm front

Snap on mounting base plate

**231M1 (IP66)**

**231M4 (IP66)**



Complete switch	Poles	Product line	Rated data (IEC 60947)			Order code number							
			Operational current I <sub>e</sub>	Operational power at 380–440 V									
			AC-21A A	AC-23A kW	AC-3 kW								
Main Switches Switching angle 90° OFF position padlockable 09h	1 ... 24	P200	20 25	7,5 11	5,5 7,5	<b>P220 - 61 ... - 231M1</b> <b>P225 - 61 ... - 231M1</b>							
Main/Emergency-Off Switches Switching angle 90° OFF position padlockable 09h	1 ... 24	P200	20 25	7,5 11	5,5 7,5	<b>P220 - 61 ... - 231M4</b> <b>P225 - 61 ... - 231M4</b>							
<b>SMD modules for basic switch A02</b>													
Mounting form module for 231M.			P200			<b>BFB2 - 241</b>							
M-padlock device 48 x 48 mm, mounting form 231M1 Escutcheon black, padlockable handle black						<b>2BM1</b>							
M-padlock device 48 x 48 mm, mounting form 231M4 Escutcheon yellow, padlockable handle red						<b>2BM4</b>							
<b>Dimensions (mm)</b>													
Type	A	C <sub>min</sub>	C <sub>max</sub>	C1	D	D1	D2	E	L with ... stages (max. 12)				each add. stage
									1	2	3	4	
P220	48	42	59	32	44	12	4,5	36	40	53	66	79	13
P221	48	42	59	32	44	12	4,5	36	43,5	60	76,5	93	16,5
P225	48	42	59	32	46	12	4,5	36	42	57	72	87	15
P226	48	42	59	32	46	12	4,5	36	45,5	64	82,5	101	18,5

# Base Mounting Switches

# sälzer

**Product line  
P200**

**Base mounting switch**

**Door clutch**

Modular shaft extension

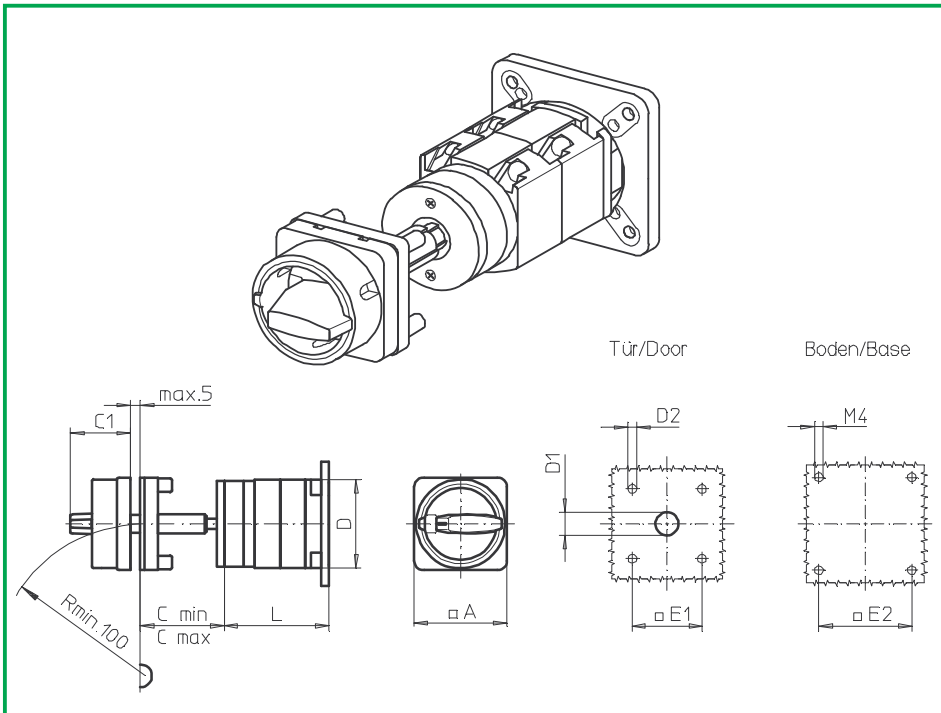
**Four hole mounting**

36 x 36 mm front

48 x 48 mm base

**031M1 (IP66)**

**031M4 (IP66)**



Complete switch	Poles	Product line	Rated data (IEC 60947)			Order code number
			Operational current $I_e$	Operational power at 380–440 V		
			AC-21A A	AC-23A kW	AC-3 kW	
Main Switches Switching angle 90° OFF position padlockable 09h	1 ... 24	P200	20	7,5	5,5	<b>P220 - 61 ... - 031M1</b>
			25	11	7,5	<b>P225 - 61 ... - 031M1</b>
Main/Emergency-Off Switches Switching angle 90° OFF position padlockable 09h	1 ... 24	P200	20	7,5	5,5	<b>P220 - 61 ... - 031M4</b>
			25	11	7,5	<b>P225 - 61 ... - 031M4</b>

### SMD modules for basic switch A02

Mounting form module for 031M.

P200

**BFB2 - 041**

M-padlock device 48 x 48 mm, mounting form 031M1  
Escutcheon black, padlockable handle black

**2BM1**

M-padlock device 48 x 48 mm, mounting form 031M4  
Escutcheon yellow, padlockable handle red

**2BM4**

### Dimensions (mm)

Type	A	Cmin	Cmax	C1	D	D1	D2	E1	E2	L with ... stages (max. 12) each add.			
										1	2	3	stage
P220	48	42	59	32	44	12	4,5	36	48	41	54	67	13
P221	48	42	59	32	44	12	4,5	36	48	44,5	61	77,5	16,5
P225	48	42	59	32	46	12	4,5	36	48	43	58	73	15
P226	48	42	59	32	46	12	4,5	36	48	46,5	65	83,5	18,5

# Base Mounting Switches

**sälzer**

**Product line  
P200**

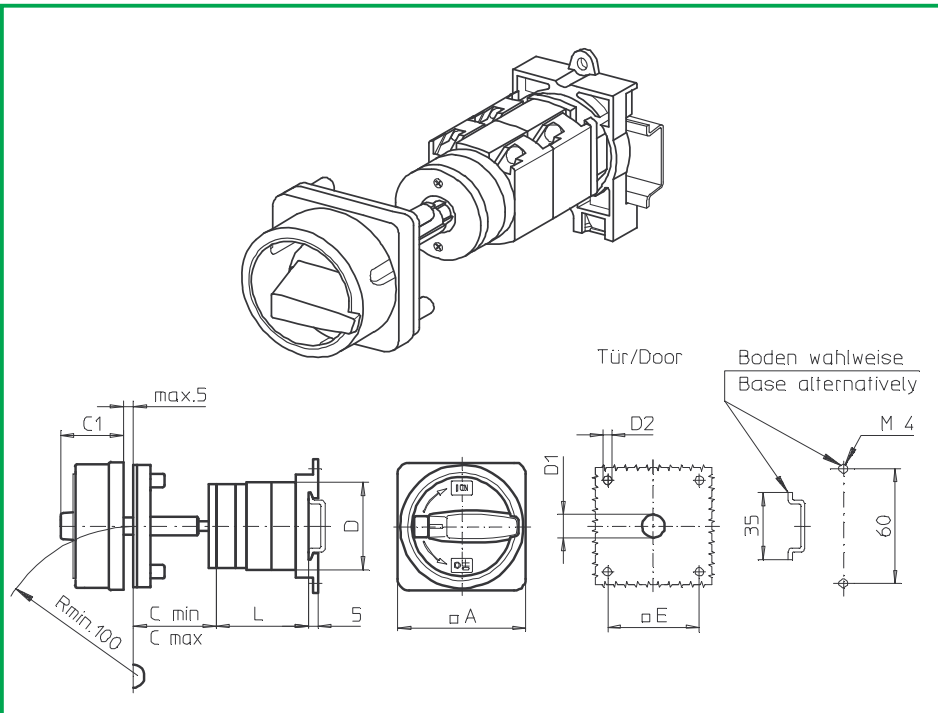
**Base mounting switch**  
operator module of next size

**Door clutch**  
Modular shaft extension

**Four hole mounting**  
48 x 48 mm front  
Snap on mounting base plate

**237M1 (IP66)**

**237M4 (IP66)**



Complete switch	Poles	Product line	Rated data (IEC 60947)			Order code number							
			Operational current I <sub>e</sub>	Operational power at 380–440 V									
			AC-21A A	AC-23A kW	AC-3 kW								
Main Switches Switching angle 90° OFF position padlockable 09h	1 ... 24	P200	20 25	7,5 11	5,5 7,5	<b>P220 - 61 ... - 237M1</b> <b>P225 - 61 ... - 237M1</b>							
Main/Emergency-Off Switches Switching angle 90° OFF position padlockable 09h	1 ... 24	P200	20 25	7,5 11	5,5 7,5	<b>P220 - 61 ... - 237M4</b> <b>P225 - 61 ... - 237M4</b>							
<b>SMD modules for basic switch A02</b>													
Mounting form module for 237M.			P200			<b>BFC2 - 237</b>							
M-padlock device 67 x 67 mm, mounting form 237M1 Escutcheon black, padlockable handle black						<b>4BM1</b>							
M-padlock device 67 x 67 mm, mounting form 237M4 Escutcheon yellow, padlockable handle red						<b>4BM4</b>							
<b>Dimensions (mm)</b>													
Type	A	C <sub>min</sub>	C <sub>max</sub>	C1	D	D1	D2	E	L with ... stages (max. 12)				each add. stage
									1	2	3	4	
P220	67	42	59	38	44	15	5	48	40	53	66	79	13
P221	67	42	59	38	44	15	5	48	43,5	60	76,5	93	16,5
P225	67	42	59	38	46	15	5	48	42	57	72	87	15
P226	67	42	59	38	46	15	5	48	45,5	64	82,5	101	18,5

# Base Mounting Switches

# sälzer

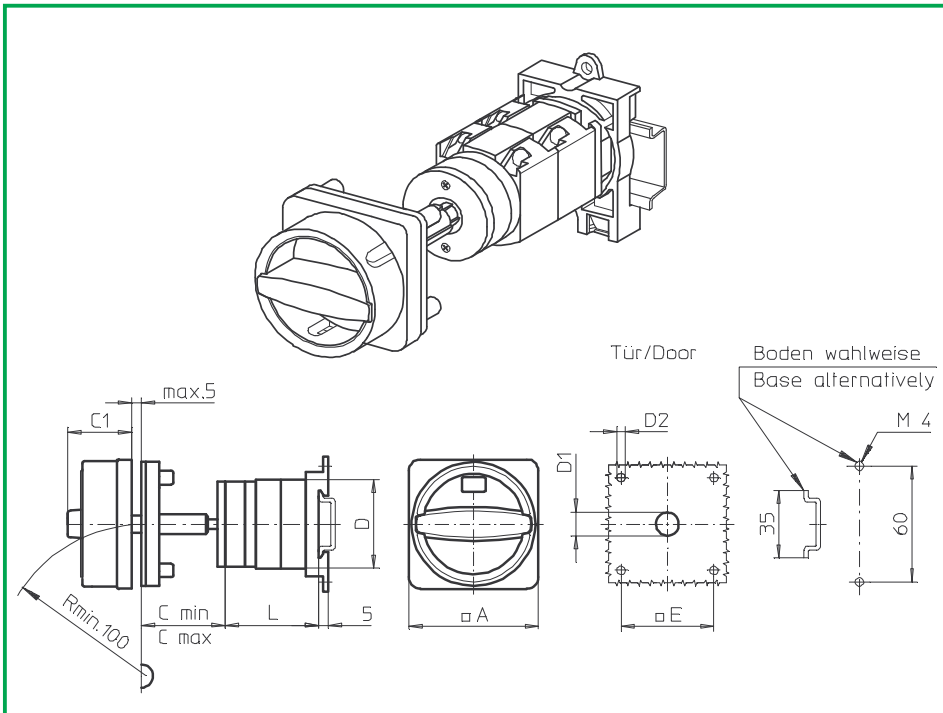
**Product line**  
**P200**

**Base mounting switch**  
operator module of next size

**Door clutch**  
Modular shaft extension

**Four hole mounting**  
48 x 48 mm front  
Snap on mounting base plate

**237N1 (IP66)**  
**237N4 (IP66)**



Complete switch	Poles	Product line	Rated data (IEC 60947)			Order code number
			Operational current I <sub>e</sub>	Operational power at 380–440 V		
			AC-21A A	AC-23A kW	AC-3 kW	
Main Switches Switching angle 90° OFF position padlockable 09h	1 ... 24	P200	20 25	7,5 11	5,5 7,5	<b>P220 - 61 ... - 237N1</b> <b>P225 - 61 ... - 237N1</b>
Main/Emergency-Off Switches Switching angle 90° OFF position padlockable 09h	1 ... 24	P200	20 25	7,5 11	5,5 7,5	<b>P220 - 61 ... - 237N4</b> <b>P225 - 61 ... - 237N4</b>

SMD modules for basic switch A02			
Mounting form module for 237N.		P200	<b>BFC2 - 237</b>
N-padlock device 67 x 67 mm, mounting form 237N1 Escutcheon black, padlockable handle black			<b>4BN1</b>
N-padlock device 67 x 67 mm, mounting form 237N4 Escutcheon yellow, padlockable handle red			<b>4BN4</b>

Dimensions (mm)													
Type	A	C <sub>min</sub>	C <sub>max</sub>	C <sub>1</sub>	D	D <sub>1</sub>	D <sub>2</sub>	E	L with ... stages (max. 12)				each add. stage
									1	2	3	4	
P220	67	42	59	32	44	15	5	48	40	53	66	79	13
P221	67	42	59	32	44	15	5	48	43,5	60	76,5	93	16,5
P225	67	42	59	32	46	15	5	48	42	57	72	87	15
P226	67	42	59	32	46	15	5	48	45,5	64	82,5	101	18,5

# Base Mounting Switches

# sälzer

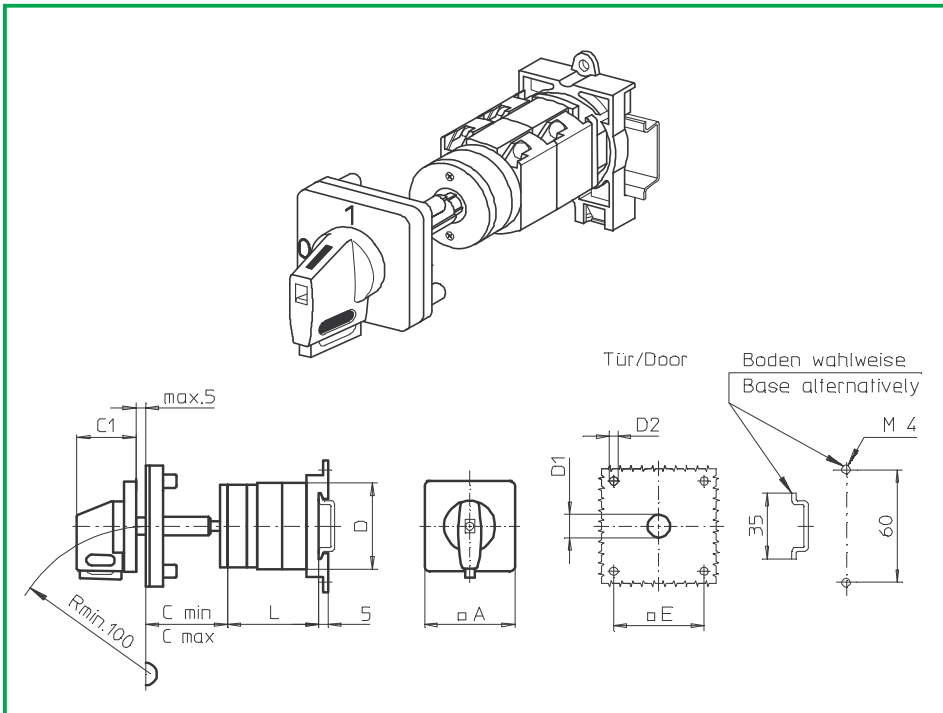
**Product line**  
**P200**

**Base mounting switch**  
operator module of next size

**Door clutch**  
Modular shaft extension

**Four hole mounting**  
48 x 48 mm front  
Snap on mounting base plate

**237V1 (IP66)**  
**237V4 (IP66)**



Complete switch	Poles	Product line	Rated data (IEC 60947)			Order code number
			Operational current I <sub>e</sub>	Operational power at 380–440 V		
			AC-21A A	AC-23A kW	AC-3 kW	
Main Switches Switching angle 90° OFF position padlockable 09h	1 ... 24	P200	20 25	7,5 11	5,5 7,5	<b>P220 - 61 ... - 237V1</b> <b>P225 - 61 ... - 237V1</b>
Main/Emergency-Off Switches Switching angle 90° OFF position padlockable 09h	1 ... 24	P200	20 25	7,5 11	5,5 7,5	<b>P220 - 61 ... - 237V4</b> <b>P225 - 61 ... - 237V4</b>

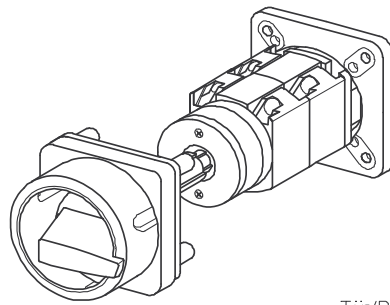
SMD modules for basic switch A02			
Mounting form module for 237V.		P200	<b>BFC2 - 247</b>
V-operator module 64 x 64 mm, mounting form 237V1 Escutcheon black, handle black			<b>4AV1 - 09</b>
Legend plate silver, operator module 237V1			<b>FAS4 - 9078</b>
V-operator module 64 x 64 mm, mounting form 237V4 Escutcheon black, handle red			<b>4AV4 - 09</b>
Legend plate yellow, operator module 237V4			<b>FBS4 - 9078</b>

Dimensions (mm)													
Type	A	C <sub>min</sub>	C <sub>max</sub>	C1	D	D1	D2	E	L with ... stages (max. 12)				each add. stage
									1	2	3	4	
P220	64	42	59	39	44	15	5	48	40	53	66	79	13
P221	64	42	59	39	44	15	5	48	43,5	60	76,5	93	16,5
P225	64	42	59	39	46	15	5	48	42	57	72	87	15
P226	64	42	59	39	46	15	5	48	45,5	64	82,5	101	18,5

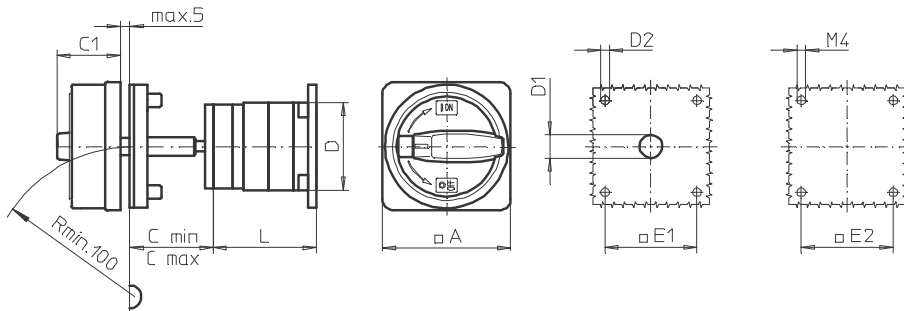


# Base Mounting Switches

# sälzer



Tür/Door      Boden/Base



**Product line**  
**P200**

**Base mounting switch**  
operator module of next size

**Door clutch**  
Modular shaft extension

**Four hole mounting**  
48 x 48 mm front  
48 x 48 mm base

**037M1 (IP66)**

**037M4 (IP66)**

Complete switch	Poles	Product line	Rated data (IEC 60947)			Order code number
			Operational current I <sub>e</sub>	Operational power at 380–440 V		
			AC-21A A	AC-23A kW	AC-3 kW	
Main Switches Switching angle 90° OFF position padlockable 09h	1 ... 24	P200	20	7,5	5,5	<b>P220 - 61 ... - 037M1</b>
			25	11	7,5	<b>P225 - 61 ... - 037M1</b>
Main/Emergency-Off Switches Switching angle 90° OFF position padlockable 09h	1 ... 24	P200	20	7,5	5,5	<b>P220 - 61 ... - 037M4</b>
			25	11	7,5	<b>P225 - 61 ... - 037M4</b>

### SMD modules for basic switch A02

Mounting form module for 037M.

P200

**BFC2 - 037**

M-padlock device 67 x 67 mm, mounting form 037M1  
Escutcheon black, padlockable handle black

**4BM1**

M-padlock device 67 x 67 mm, mounting form 037M4  
Escutcheon yellow, padlockable handle red

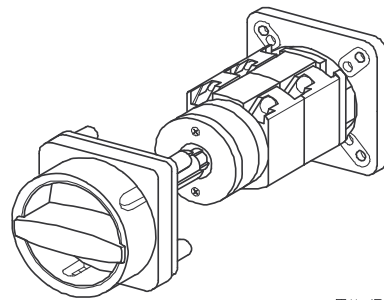
**4BM4**

### Dimensions (mm)

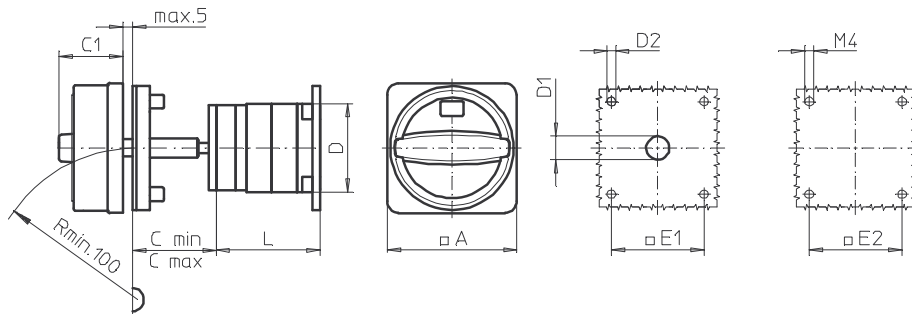
Type	A	C <sub>min</sub>	C <sub>max</sub>	C1	D	D1	D2	E1	E2	L with ... stages (max. 12) each add.			
										1	2	3	stage
P220	67	42	59	38	44	15	5	48	48	41	54	67	13
P221	67	42	59	38	44	15	5	48	48	44,5	61	77,5	16,5
P225	67	42	59	38	46	15	5	48	48	43	58	73	15
P226	67	42	59	38	46	15	5	48	48	46,5	65	83,5	18,5

# Base Mounting Switches

# sälzer



Tür/Door      Boden/Base



**Product line**  
**P200**

**Base mounting switch**  
operator module of next size

**Door clutch**  
Modular shaft extension

**Four hole mounting**  
48 x 48 mm front  
48 x 48 mm base

**037N1 (IP66)**  
**037N4 (IP66)**

Complete switch	Poles	Product line	Rated data (IEC 60947)			Order code number
			Operational current I <sub>e</sub>	Operational power at 380–440 V		
			AC-21A A	AC-23A kW	AC-3 kW	
Main Switches Switching angle 90° OFF position padlockable 09h	1 ... 24	P200	20	7,5	5,5	<b>P220 - 61 ... - 037N1</b>
			25	11	7,5	<b>P225 - 61 ... - 037N1</b>
Main/Emergency-Off Switches Switching angle 90° OFF position padlockable 09h	1 ... 24	P200	20	7,5	5,5	<b>P220 - 61 ... - 037N4</b>
			25	11	7,5	<b>P225 - 61 ... - 037N4</b>

### SMD modules for basic switch A02

Mounting form module for 037N.

P200

**BFC2 -037**

N-padlock device 67 x 67 mm, mounting form 037N1  
Escutcheon black, padlockable handle black

**4BN1**

N-padlock device 67 x 67 mm, mounting form 037N4  
Escutcheon yellow, padlockable handle red

**4BN4**

### Dimensions (mm)

Type	A	C <sub>min</sub>	C <sub>max</sub>	C <sub>1</sub>	D	D <sub>1</sub>	D <sub>2</sub>	E <sub>1</sub>	E <sub>2</sub>	L with ... stages (max. 12) each add.			
										1	2	3	stage
P220	67	42	59	33	44	15	5	48	48	41	54	67	13
P221	67	42	59	33	44	15	5	48	48	44,5	61	77,5	16,5
P225	67	42	59	33	46	15	5	48	48	43	58	73	15
P226	67	42	59	33	46	15	5	48	48	46,5	65	83,5	18,5

# Base Mounting Switches

# sälzer

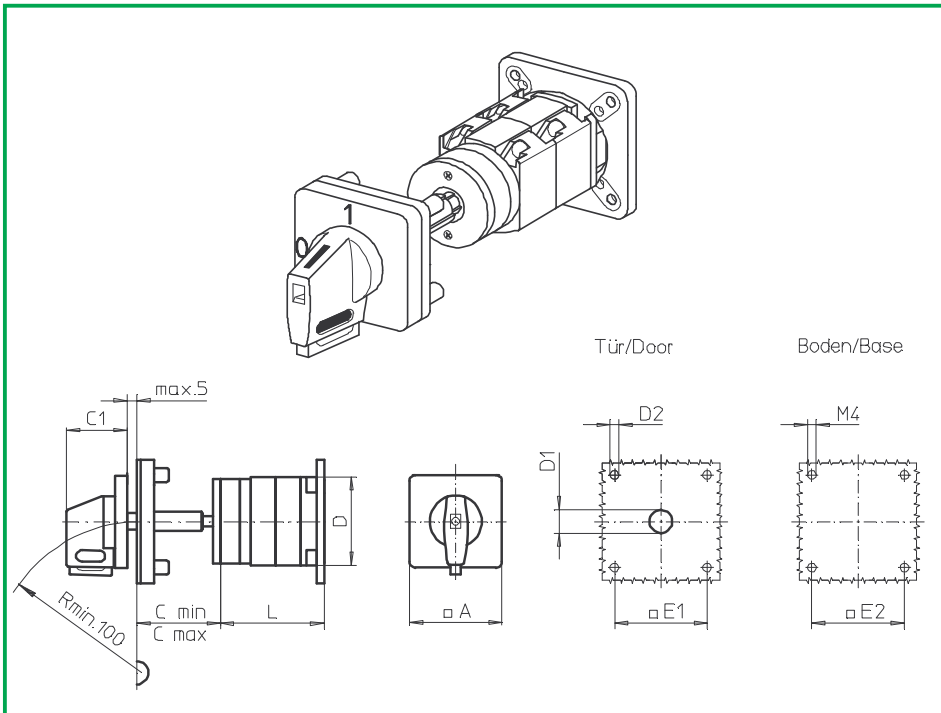
**Product line**  
**P200**

**Base mounting switch**  
operator module of next size

**Door clutch**  
Modular shaft extension

**Four hole mounting**  
48 x 48 mm front  
48 x 48 mm base

**037V1 (IP66)**  
**037V4 (IP66)**



Complete switch	Poles	Product line	Rated data (IEC 60947)			Order code number
			Operational current I <sub>e</sub>	Operational power at 380–440 V		
			AC-21A A	AC-23A kW	AC-3 kW	
Main Switches Switching angle 90° OFF position padlockable 09h	1 ... 24	P200	20 25	7,5 11	5,5 7,5	<b>P220 - 61 ... - 037V1</b> <b>P225 - 61 ... - 037V1</b>
Main/Emergency-Off Switches Switching angle 90° OFF position padlockable 09h	1 ... 24	P200	20 25	7,5 11	5,5 7,5	<b>P220 - 61 ... - 037V4</b> <b>P225 - 61 ... - 037V4</b>

### SMD modules for basic switch A02

Mounting form module for 037V.

P200

**BFC2 - 047**

V-operator module 64 x 64 mm, mounting form 037V1  
Escutcheon black, handle black

**4AV1 - 09**

Legend plate silver, operator module 037V1

**FAS4 - 9078**

V-operator module 64 x 64 mm, mounting form 037V4  
Escutcheon black, handle red

**4AV4 - 09**

Legend plate yellow, operator module 037V4

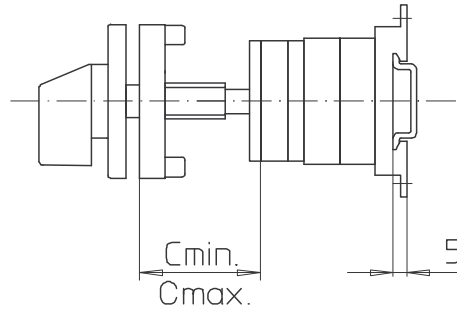
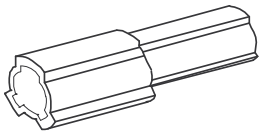
**FBS4 - 9078**

### Dimensions (mm)

Type	A	C <sub>min</sub>	C <sub>max</sub>	C1	D	D1	D2	E1	E2	L with ... stages (max. 12) each add.			
										1	2	3	stage
P220	64	42	59	39	44	15	5	48	48	41	54	67	13
P221	64	42	59	39	44	15	5	48	48	44,5	61	77,5	16,5
P225	64	42	59	39	46	15	5	48	48	43	58	73	15
P226	64	42	59	39	46	15	5	48	48	46,5	65	83,5	18,5

# Base mounting switch

**sälzer**



**Product line  
P200**

**Base mounting switch**

**Door clutch**  
Modular shaft extension

**Four hole mounting  
front**

**AVD2**

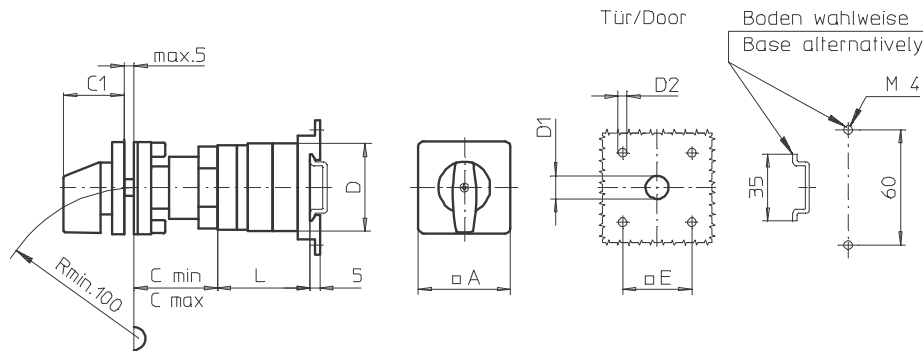
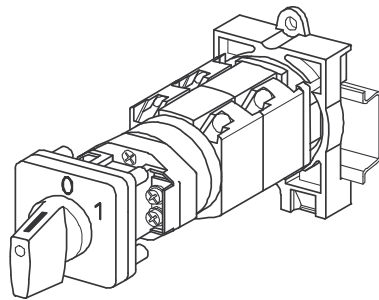
## Modular shaft extensions for use with door interlock

Dimensions  $C_{min}$ ,  $C_{max}$

Dimension	$C_{min}$	$C_{max}$	number	order code number
0	42 mm	59 mm	-	-
1	60 mm	84 mm	1	AVD2
2	85 mm	109 mm	2	AVD2
3	110 mm	134 mm	3	AVD2
4	135 mm	159 mm	4	AVD2
5	160 mm	184 mm	5	AVD2
6	185 mm	209 mm	6	AVD2

# Base Mounting Switches

# sälzer



**Product line**  
**P200**

**Base mounting switch**

**Door interlock**  
Modular shaft extension

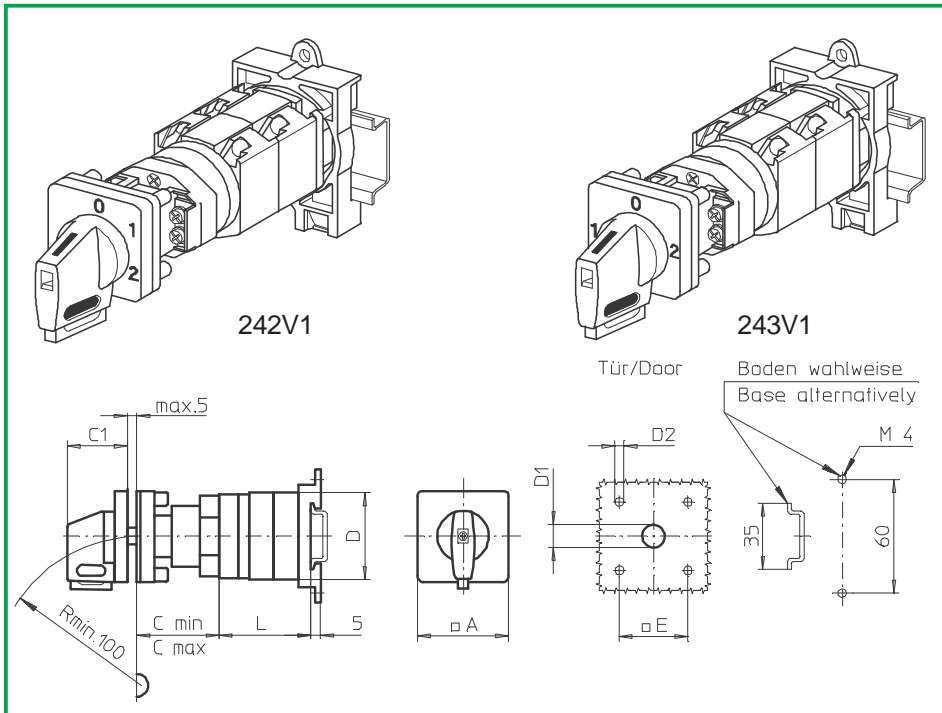
**Four hole mounting**  
36 x 36 mm front  
Snap mounting base plate

**242M1 (IP66)**

Complete switch	Poles	Product line	Rated data (IEC 60947)			Order code number							
			Operational current I <sub>e</sub>	Operational power at 380–440 V									
			AC-21A A	AC-23A kW	AC-3 kW								
Rotary Cam Switches Switching angle 30°/45°/60°/90°	1 ... 24	P200	20 25	7,5 11	5,5 7,5	<b>P220 - 61 ... - 242M1</b> <b>P225 - 61 ... - 242M1</b>							
<b>SMD modules for basic switch A02</b>													
Mounting form module for 242M1			P200			<b>BFB2 - 242</b>							
M-operator module 48 x 48 mm, mounting form 242M1 Escutcheon black, handle black						<b>2AM1</b>							
Legend plate silver, operator module 242M1						<b>FAS2 - .... (FA number)</b>							
<b>Dimensions (mm)</b>													
Type	A	C <sub>min</sub>	C <sub>max</sub>	C <sub>1</sub>	D	D <sub>1</sub>	D <sub>2</sub>	E	L with ... stages (max. 12)				each add. stage
									1	2	3	4	
P220	48	42	57	32	44	12	4,5	36	40	53	66	79	13
P221	48	42	57	32	44	12	4,5	36	43,5	60	76,5	93	16,5
P225	48	42	57	32	46	12	4,5	36	42	57	72	87	15
P226	48	42	57	32	46	12	4,5	36	45,5	64	82,5	101	18,5

# Base Mounting Switches

**sälzer**



**Product line  
P200**

**Base mounting switch**

**Door interlock**  
Modular shaft extension

**Four hole mounting**  
36 x 36 mm front  
Snap mounting base plate

**242V1 (IP66)**  
**243V1 (IP66)**

Complete switch	Poles	Product line	Rated data (IEC 60947)			Order code number
			Operational current I <sub>e</sub>	Operational power at 380–440 V		
			AC-21A A	AC-23A kW	AC-3 kW	
Rotary Cam Switches Switching angle 30°/45°/60°/90° Padlockable 12h	1 ... 24	P200	20 25	7,5 11	5,5 7,5	<b>P220 - 61 ... - 242V1</b> <b>P225 - 61 ... - 242V1</b>
Rotary Cam Switches Switching angle 90° 3 positions padlockable (09h/12h/03h)	1 ... 24	P200	20 25	7,5 11	5,5 7,5	<b>P220 - 61 ... - 243V1</b> <b>P225 - 61 ... - 243V1</b>

SMD modules for basic switch A02			
Mounting form module for 242V1/ 243V1		P200	<b>BFD2 - 242</b>
V-operator module 48 x 48 mm, mounting form 242V1 Escutcheon black, handle black			<b>2AV1 - 12</b>
V-operator module 48 x 48 mm, mounting form 243V1 Escutcheon black, handle black			<b>2AV1 - 99</b>
Legend plate silver, operator module 242V1/ 243V1			<b>FAS2 - .... (FA number)</b>

Dimensions (mm)													
Type	A	C <sub>min</sub>	C <sub>max</sub>	C1	D	D1	D2	E	L with ... stages (max. 12)				each add. stage
									1	2	3	4	
P220	48	42	57	32	44	12	4,5	36	40	53	66	79	13
P221	48	42	57	32	44	12	4,5	36	43,5	60	76,5	93	16,5
P225	48	42	57	32	46	12	4,5	36	42	57	72	87	15
P226	48	42	57	32	46	12	4,5	36	45,5	64	82,5	101	18,5

# Base Mounting Switches

# sälzer

**Product line  
P200**

**Base mounting switch**

**Door interlock**

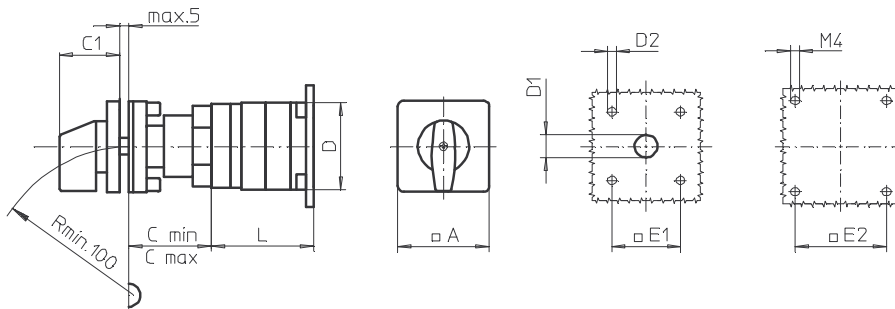
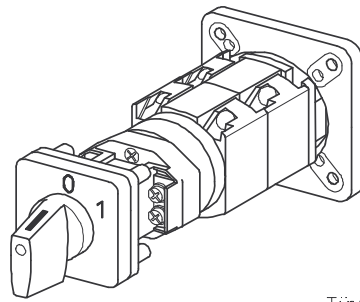
Modular shaft extension

**Four hole mounting**

36 x 36 mm front

48 x 48 mm base

**042M1 (IP66)**



Complete switch	Poles	Product line	Rated data (IEC 60947)			Order code number
			Operational current I <sub>e</sub>	Operational power at 380–440 V		
			AC-21A A	AC-23A kW	AC-3 kW	
Rotary Cam Switches Switching angle 30°/45°/60°/90°	1 ... 24	P200	20 25	7,5 11	5,5 7,5	<b>P220 - 61 ... - 042M1</b> <b>P225 - 61 ... - 042M1</b>

### SMD modules for basic switch A02

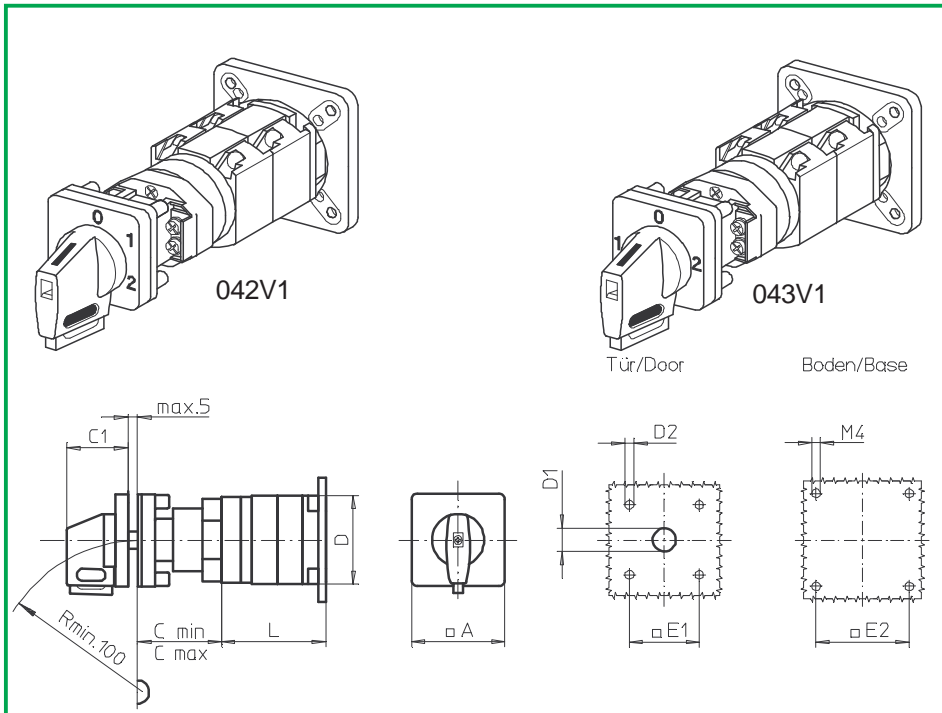
Mounting form module for 042M1	P200	<b>BFB2 - 042</b>
M-operator module 48 x 48 mm, mounting form 042M1 Escutcheon black, handle black		<b>2AM1</b>
Legend plate silver, operator module 042M1		<b>FAS2 - .... (FA number)</b>

### Dimensions (mm)

Type	A	C <sub>min</sub>	C <sub>max</sub>	C <sub>1</sub>	D	D <sub>1</sub>	D <sub>2</sub>	E <sub>1</sub>	E <sub>2</sub>	L with ... stages (max. 12) each add.			stage
										1	2	3	
P220	48	42	57	32	44	12	4,5	36	48	41	54	67	13
P221	48	42	57	32	44	12	4,5	36	48	44,5	61	77,5	16,5
P225	48	42	57	32	46	12	4,5	36	48	43	58	73	15
P226	48	42	57	32	46	12	4,5	36	48	46,5	65	83,5	18,5

# Base Mounting Switches

# sälzer



**Product line  
P200**

**Base mounting switch**

**Door interlock**

Modular shaft extension

**Four hole mounting**

36 x 36 mm front

48 x 48 mm base

**042V1 (IP66)**

**043V1 (IP66)**

Complete switch	Poles	Product line	Rated data (IEC 60947)			Order code number
			Operational current I <sub>e</sub>	Operational power at 380–440 V		
			AC-21A A	AC-23A kW	AC-3 kW	
Rotary Cam Switches Switching angle 30°/45°/60°/90° Padlockable 12h	1 ... 24	P200	20 25	7,5 11	5,5 7,5	<b>P220 - 61 ... - 042V1</b> <b>P225 - 61 ... - 042V1</b>
Rotary Cam Switches Switching angle 90° 3 positions padlockable (09h/12h/03h)	1 ... 24	P200	20 25	7,5 11	5,5 7,5	<b>P220 - 61 ... - 043V1</b> <b>P225 - 61 ... - 043V1</b>

### SMD modules for basic switch A02

Mounting form module for 042V1/ 043V1

P200

**BFD2 - 042**

V-operator module 48 x 48 mm, mounting form 042V1  
Escutcheon black, handle black

**2AV1 - 12**

V-operator module 48 x 48 mm, mounting form 043V1  
Escutcheon black, handle black

**2AV1 - 99**

Legend plate silver, operator module 042V1/ 043V1

**FAS2 - .... (FA number)**

### Dimensions (mm)

Type	A	C <sub>min</sub>	C <sub>max</sub>	C1	D	D1	D2	E1	E2	L with ... stages (max. 12) each add.			
										1	2	3	stage
P220	48	42	57	32	44	12	4,5	36	48	41	54	67	13
P221	48	42	57	32	44	12	4,5	36	48	44,5	61	77,5	16,5
P225	48	42	57	32	46	12	4,5	36	48	43	58	73	15
P226	48	42	57	32	46	12	4,5	36	48	46,5	65	83,5	18,5



# Base Mounting Switches

# sälzer

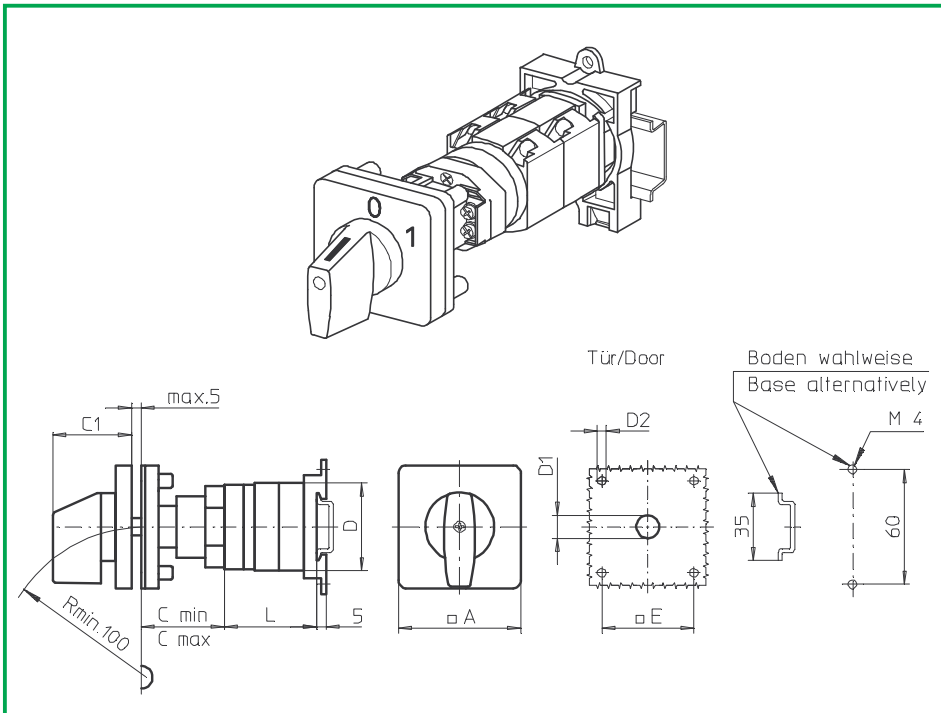
**Product line**  
**P200**

**Base mounting switch**  
Operator module of next size

**Door interlock**  
Modular shaft extension

**Four hole mounting**  
48 x 48 mm front  
Snap mounting base plate

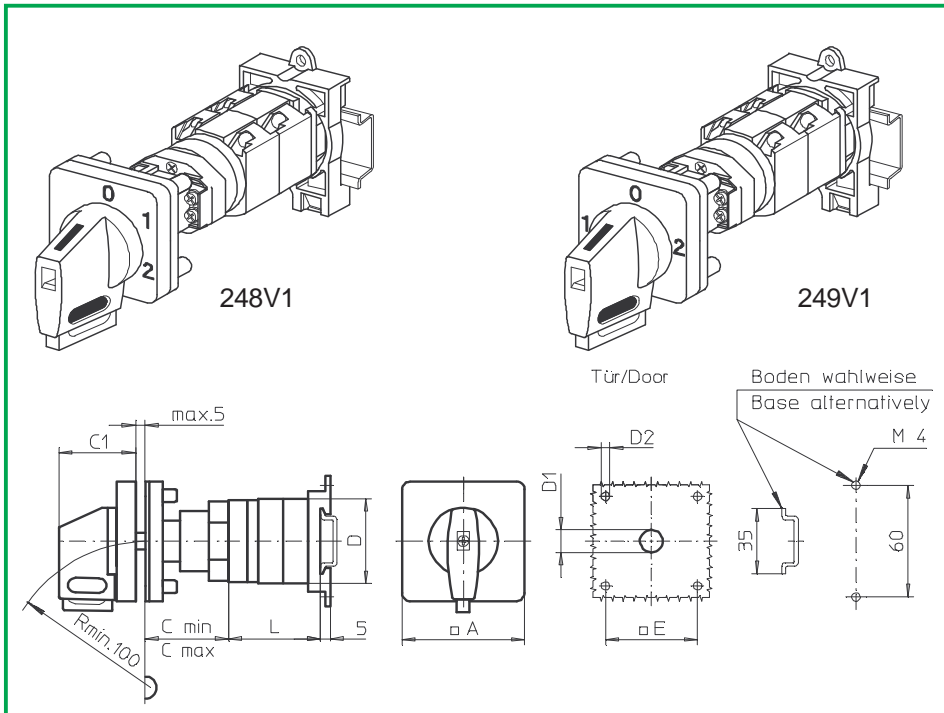
**248M1 (IP66)**



Complete switch	Poles	Product line	Rated data (IEC 60947)			Order code number							
			Operational current I <sub>e</sub>	Operational power at 380–440 V									
			AC-21A A	AC-23A kW	AC-3 kW								
Rotary Cam Switches Switching angle 30°/45°/60°/90°	1 ... 24	P200	20 25	7,5 11	5,5 7,5	<b>P220 - 61 ... - 248M1</b> <b>P225 - 61 ... - 248M1</b>							
<b>SMD modules for basic switch A02</b>													
Mounting form module for 248M1			P200			<b>BFD2 - 248</b>							
M-operator module 64 x 64 mm, mounting form 248M1 Escutcheon black, handle black						<b>4AM1</b>							
Legend plate silver, operator module 248M1						<b>FAS4 - .... (FA number)</b>							
<b>Dimensions (mm)</b>													
<b>Type</b>	<b>A</b>	<b>C<sub>min</sub></b>	<b>C<sub>max</sub></b>	<b>C1</b>	<b>D</b>	<b>D1</b>	<b>D2</b>	<b>E</b>	<b>L with ... stages (max. 12)</b>				<b>each add. stage</b>
P220	64	42	57	39	44	15	5	48	<b>1</b>	<b>2</b>	<b>3</b>	<b>4</b>	13
P221	64	42	57	39	44	15	5	48	43,5	60	76,5	93	16,5
P225	64	42	57	39	46	15	5	48	42	57	72	87	15
P226	64	42	57	39	46	15	5	48	45,5	64	82,5	101	18,5

# Base Mounting Switches

**sälzer**



**Product line  
P200**

**Base mounting switch**  
Operator module of next size

**Door interlock**  
Modular shaft extension

**Four hole mounting**  
48 x 48 mm front  
Snap mounting base plate

**248V1 (IP66)**  
**249V1 (IP66)**

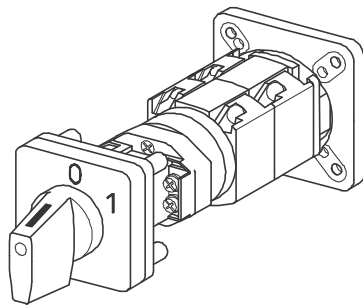
Complete switch	Poles	Product line	Rated data (IEC 60947)			Order code number
			Operational current $I_e$	Operational power at 380–440 V		
			AC-21A A	AC-23A kW	AC-3 kW	
Rotary Cam Switches Switching angle 30°/45°/60°/90° Padlockable 12h	1 ... 24	P200	20 25	7,5 11	5,5 7,5	<b>P220 - 61 ... - 248V1</b> <b>P225 - 61 ... - 248V1</b>
Rotary Cam Switches Switching angle 90° 3 positions padlockable (09h/12h/03h)	1 ... 24	P200	20 25	7,5 11	5,5 7,5	<b>P220 - 61 ... - 249V1</b> <b>P225 - 61 ... - 249V1</b>

SMD modules for basic switch A02			
Mounting form module for 248V1/ 249V1		P200	<b>BFE2 - 248</b>
V-operator module 64 x 64 mm, mounting form 248V1 Escutcheon black, handle black			<b>4AV1 - 12</b>
V-operator module 64 x 64 mm, mounting form 249V1 Escutcheon black, handle black			<b>4AV1 - 99</b>
Legend plate silver, operator module 248V1/ 249V1			<b>FAS4 - .... (FA number)</b>

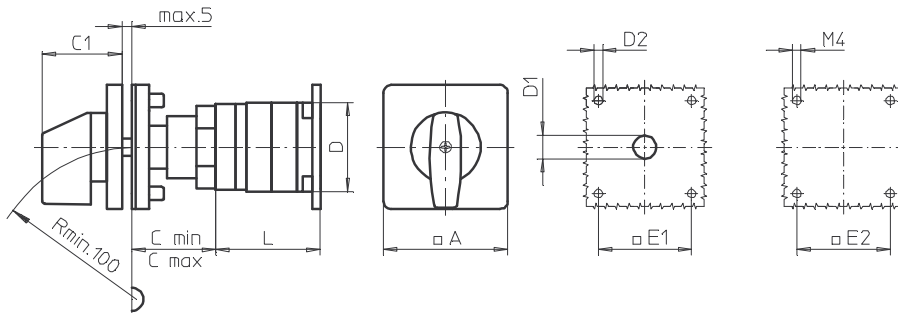
Dimensions (mm)													
Type	A	Cmin	Cmax	C1	D	D1	D2	E	L with ... stages (max. 12)				each add. stage
									1	2	3	4	
P220	64	42	57	39	44	15	5	48	40	53	66	79	13
P221	64	42	57	39	44	15	5	48	43,5	60	76,5	93	16,5
P225	64	42	57	39	46	15	5	48	42	57	72	87	15
P226	64	42	57	39	46	15	5	48	45,5	64	82,5	101	18,5

# Base Mounting Switches

# sälzer



Tür/Door      Boden/Base



**Product line**  
**P200**

**Base mounting switch**  
Operator module of next size

**Door interlock**  
Modular shaft extension

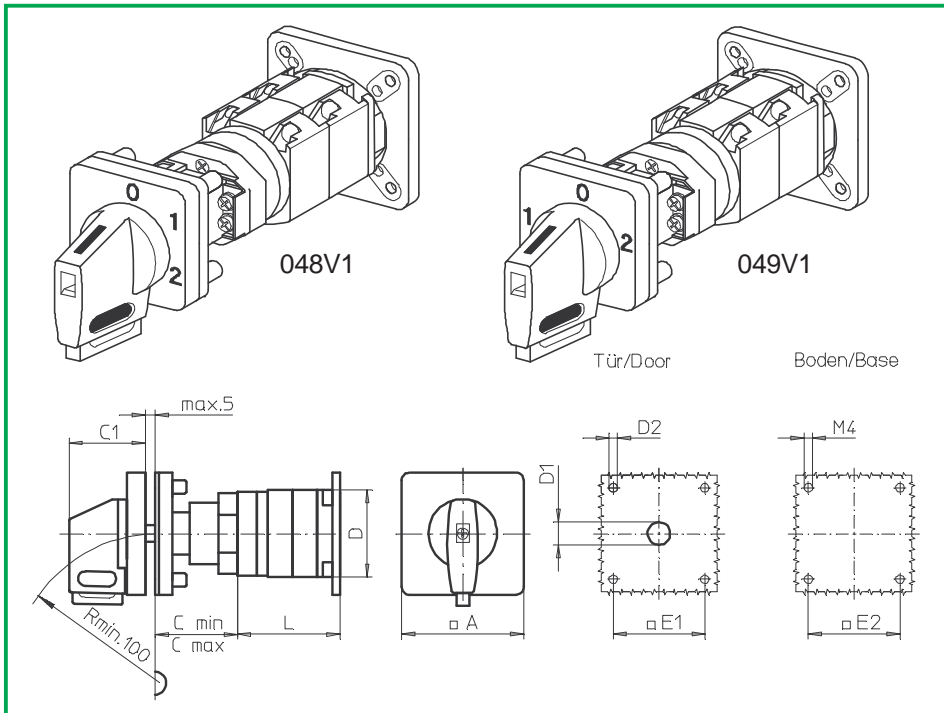
**Four hole mounting**  
48 x 48 mm front  
48 x 48 mm base

**048M1 (IP66)**

Complete switch	Poles	Product line	Rated data (IEC 60947)			Order code number							
			Operational current I <sub>e</sub>	Operational power at 380–440 V									
			AC-21A A	AC-23A kW	AC-3 kW								
Rotary Cam Switches Switching angle 30°/45°/60°/90°	1 ... 24	P200	20 25	7,5 11	5,5 7,5	<b>P220 - 61 ... - 048M1</b> <b>P225 - 61 ... - 048M1</b>							
<b>SMD modules for basic switch A02</b>													
Mounting form module for 048M1			P200			<b>BFD2 - 048</b>							
M-operator module 64 x 64 mm, mounting form 048M1 Escutcheon black, handle black						<b>4AM1</b>							
Legend plate silver, operator module 048M1						<b>FAS4 - .... (FA number)</b>							
<b>Dimensions (mm)</b>													
Type	A	C <sub>min</sub>	C <sub>max</sub>	C <sub>1</sub>	D	D <sub>1</sub>	D <sub>2</sub>	E <sub>1</sub>	E <sub>2</sub>	L with ... stages (max. 12) each add.			stage
										1	2	3	
P220	64	42	57	39	46	15	5	48	48	38	48	58	10
P221	64	42	57	39	46	15	5	48	48	41	54	67	13
P225	64	42	57	39	48	15	5	48	48	41	54	67	13
P226	64	42	57	39	50	15	5	48	48	43	58	73	15

# Base Mounting Switches

# sälzer



**Product line**  
**P200**

**Base mounting switch**  
Operator module of next size

**Door interlock**  
Modular shaft extension

**Four hole mounting**  
48 x 48 mm front  
48 x 48 mm base

**048V1 (IP66)**  
**049V1 (IP66)**

Complete switch	Poles	Product line	Rated data (IEC 60947)			Order code number
			Operational current I <sub>e</sub>	Operational power at 380–440 V		
			AC-21A A	AC-23A kW	AC-3 kW	
Rotary Cam Switches Switching angle 30°/45°/60°/90° Padlockable 12h	1 ... 24	P200	20 25	7,5 11	5,5 7,5	<b>P220 - 61 ... - 048V1</b> <b>P225 - 61 ... - 048V1</b>
Rotary Cam Switches Switching angle 90° 3 positions padlockable (09h/12h/03h)	1 ... 24	P200	20 25	7,5 11	5,5 7,5	<b>P220 - 61 ... - 049V1</b> <b>P225 - 61 ... - 049V1</b>

SMD modules for basic switch A02			
Mounting form module for 048V1/ 049V1		P200	<b>BFE2 - 048</b>
V-operator module 64 x 64 mm, mounting form 048V1 Escutcheon black, handle black			<b>4AV1 - 12</b>
V-operator module 64 x 64 mm, mounting form 049V1 Escutcheon black, handle black			<b>4AV1 - 99</b>
Legend plate silver, operator module 048V1/ 049V1			<b>FAS4 - .... (FA number)</b>

Dimensions (mm)											L with ... stages (max. 12) each add.			
Type	A	C <sub>min</sub>	C <sub>max</sub>	C <sub>1</sub>	D	D <sub>1</sub>	D <sub>2</sub>	E <sub>1</sub>	E <sub>2</sub>		1	2	3	stage
P220	64	42	57	39	44	15	5	48	48		41	54	67	13
P221	64	42	57	39	44	15	5	48	48		44,5	61	77,5	16,5
P225	64	42	57	39	46	15	5	48	48		43	58	73	15
P226	64	42	57	39	46	15	5	48	48		46,5	65	83,5	18,5

# Base Mounting Switches

# sälzer

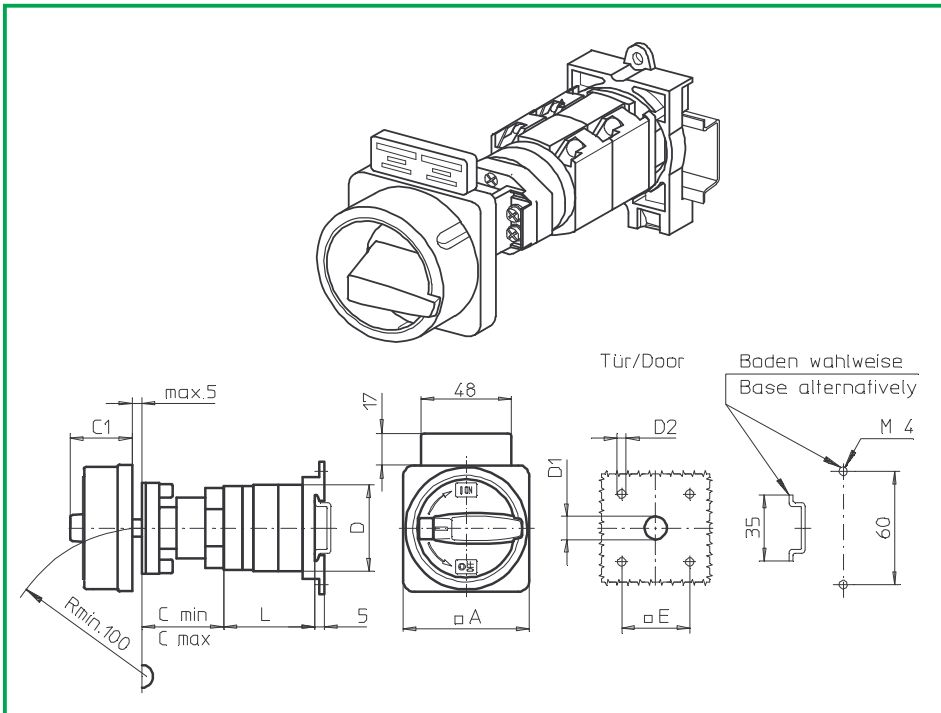
**Product line**  
**P200**

**Base mounting switch**

**Door interlock**  
Modular shaft extension

**Four hole mounting**  
36 x 36 mm front  
Snap mounting base plate

**234M1 (IP66)**  
**234M4 (IP66)**



Complete switch	Poles	Product line	Rated data (IEC 60947)			Order code number							
			Operational current I <sub>e</sub>	Operational power at 380–440 V									
			AC-21A A	AC-23A kW	AC-3 kW								
Main Switches Switching angle 90° OFF position padlockable 09h	1 ... 24	P200	20 25	7,5 11	5,5 7,5	<b>P220 - 61 ... - 234M1</b> <b>P225 - 61 ... - 234M1</b>							
Main/Emergency-Off Switches Switching angle 90° OFF position padlockable 09h	1 ... 24	P200	20 25	7,5 11	5,5 7,5	<b>P220 - 61 ... - 234M4</b> <b>P225 - 61 ... - 234M4</b>							
<b>SMD modules for basic switch A02</b>													
Mounting form module for 234M.			P200			<b>BFC2 - 234</b>							
M-padlock device 67 x 67 mm, mounting form 234M1 Escutcheon black, padlockable handle black						<b>2CM1</b>							
M-padlock device 67 x 67 mm, mounting form 234M4 Escutcheon yellow, padlockable handle red						<b>2CM4</b>							
Additional top escutcheon plate						<b>FAZZ - 8041</b>							
<b>Dimensions (mm)</b>													
<b>Type</b>	<b>A</b>	<b>Cmin</b>	<b>Cmax</b>	<b>C1</b>	<b>D</b>	<b>D1</b>	<b>D2</b>	<b>E</b>	<b>L with ... stages (max. 12)</b>			<b>each add. stage</b>	
P220	67	42	57	38	44	15	4,5	36	<b>1</b>	<b>2</b>	<b>3</b>	<b>4</b>	13
P221	67	42	57	38	44	15	4,5	36	43,5	60	76,5	93	16,5
P225	67	42	57	38	46	15	4,5	36	42	57	72	87	15
P226	67	42	57	38	46	15	4,5	36	45,5	64	82,5	101	18,5



# Base Mounting Switches

# sälzer

**Product line**  
**P200**

**Base mounting switch**

**Door interlock**

Modular shaft extension

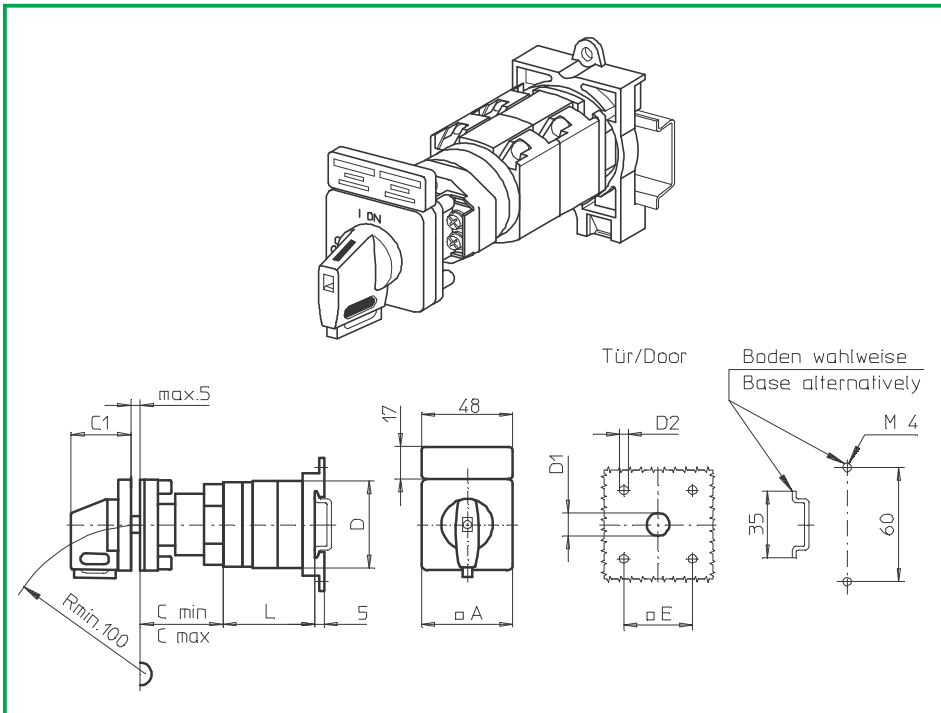
**Four hole mounting**

36 x 36 mm front

Snap mounting base plate

**234V1 (IP66)**

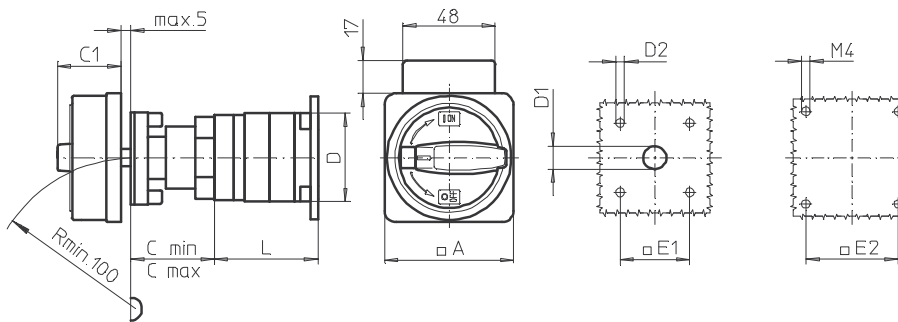
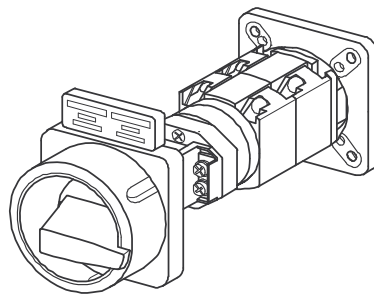
**234V4 (IP66)**



Complete switch	Poles	Product line	Rated data (IEC 60947)			Order code number							
			Operational current I <sub>e</sub>	Operational power at 380–440 V									
			AC-21A A	AC-23A kW	AC-3 kW								
Main Switches Switching angle 90° OFF position padlockable 09h	1 ... 24	P200	20 25	7,5 11	5,5 7,5	<b>P220 - 61 ... - 234V1</b> <b>P225 - 61 ... - 234V1</b>							
Main/Emergency-Off Switches Switching angle 90° OFF position padlockable 09h	1 ... 24	P200	20 25	7,5 11	5,5 7,5	<b>P220 - 61 ... - 234V4</b> <b>P225 - 61 ... - 234V4</b>							
<b>SMD modules for basic switch A02</b>													
Mounting form module for 234V.			P200			<b>BFB2 - 242</b>							
V-operator module 48 x 48 mm, mounting form 234V1 Escutcheon black, handle black Legend plate silver, operator module 234V1						<b>2AV1 - 09</b> <b>FAS2 - 9078</b>							
V-operator module 48 x 48 mm, mounting form 234V4 Escutcheon black, handle red Legend plate yellow, operator module 234V4 Additional top escutcheon plate						<b>2AV4 - 09</b> <b>FBS2 - 9078</b> <b>FAZ2 - 8041</b>							
<b>Dimensions (mm)</b>													
<b>Type</b>	<b>A</b>	<b>C<sub>min</sub></b>	<b>C<sub>max</sub></b>	<b>C1</b>	<b>D</b>	<b>D1</b>	<b>D2</b>	<b>E</b>	<b>L with ... stages (max. 12)</b>				<b>each add. stage</b>
P220	48	42	57	32	44	12	4,5	36	<b>1</b>	<b>2</b>	<b>3</b>	<b>4</b>	13
P221	48	42	57	32	44	12	4,5	36	43,5	60	76,5	93	16,5
P225	48	42	57	32	46	12	4,5	36	42	57	72	87	15
P226	48	42	57	32	46	12	4,5	36	45,5	64	82,5	101	18,5

# Base Mounting Switches

# sälzer



**Product line**  
**P200**

**Base mounting switch**

**Door interlock**  
Modular shaft extension

**Four hole mounting**  
36 x 36 mm front  
48 x 48 mm base

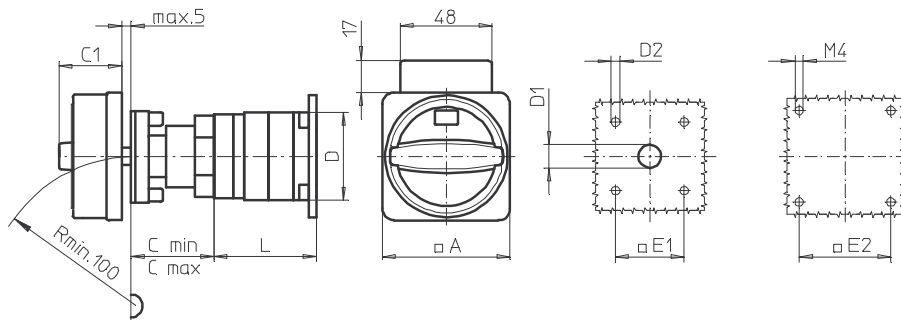
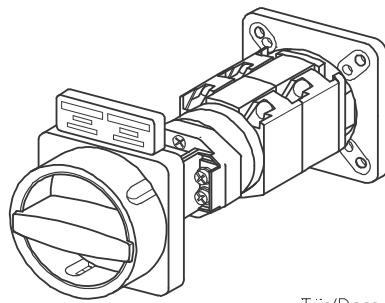
**034M1 (IP66)**  
**034M4 (IP66)**

Complete switch	Poles	Product line	Rated data (IEC 60947)			Order code number							
			Operational current I <sub>e</sub>	Operational power at 380–440 V									
			AC-21A A	AC-23A kW	AC-3 kW								
Main Switches Switching angle 90° OFF position padlockable 09h	1 ... 24	P200	20 25	7,5 11	5,5 7,5	<b>P220 - 61 ... - 034M1</b> <b>P225 - 61 ... - 034M1</b>							
Main/Emergency-Off Switches Switching angle 90° OFF position padlockable 09h	1 ... 24	P200	20 25	7,5 11	5,5 7,5	<b>P220 - 61 ... - 034M4</b> <b>P225 - 61 ... - 034M4</b>							
<b>SMD modules for basic switch A02</b>													
Mounting form module for 034M.			P200			<b>BFC2 - 034</b>							
M-padlock device 67 x 67 mm, mounting form 034M1 Escutcheon black, padlockable handle black						<b>2CM1</b>							
M-padlock device 67 x 67 mm, mounting form 034M4 Escutcheon yellow, padlockable handle red						<b>2CM4</b>							
Additional top escutcheon plate						<b>FAZZ - 8041</b>							
<b>Dimensions (mm)</b>													
<b>Type</b>	<b>A</b>	<b>Cmin</b>	<b>Cmax</b>	<b>C1</b>	<b>D</b>	<b>D1</b>	<b>D2</b>	<b>E1</b>	<b>E2</b>	<b>L with ... stages (max. 12) each add.</b>			
										<b>1</b>	<b>2</b>	<b>3</b>	<b>stage</b>
P220	67	42	57	38	44	15	4,5	36	48	41	54	67	13
P221	67	42	57	38	44	15	4,5	36	48	44,5	61	77,5	16,5
P225	67	42	57	38	46	15	4,5	36	48	43	58	73	15
P226	67	42	57	38	46	15	4,5	36	48	46,5	65	83,5	18,5



# Base Mounting Switches

# sälzer



**Product line**  
**P200**

**Base mounting switch**

**Door interlock**  
Modular shaft extension

**Four hole mounting**  
36 x 36 mm front  
48 x 48 mm base

**034N1 (IP66)**  
**034N4 (IP66)**

Complete switch	Poles	Product line	Rated data (IEC 60947)			Order code number							
			Operational current I <sub>e</sub>	Operational power at 380–440 V									
			AC-21A A	AC-23A kW	AC-3 kW								
Main Switches Switching angle 90° OFF position padlockable 09h	1 ... 24	P200	20 25	7,5 11	5,5 7,5	<b>P220 - 61 ... - 034N1</b> <b>P225 - 61 ... - 034N1</b>							
Main/Emergency-Off Switches Switching angle 90° OFF position padlockable 09h	1 ... 24	P200	20 25	7,5 11	5,5 7,5	<b>P220 - 61 ... - 034N4</b> <b>P225 - 61 ... - 034N4</b>							
<b>SMD modules for basic switch A02</b>													
Mounting form module for 034N.			P200			<b>BFC2 - 034</b>							
N-padlock device 67 x 67 mm, mounting form 034N1 Escutcheon black, padlockable handle black						<b>2CN1</b>							
N-padlock device 67 x 67 mm, mounting form 034N4 Escutcheon yellow, padlockable handle red						<b>2CN4</b>							
Additional top escutcheon plate						<b>FAZZ - 8041</b>							
<b>Dimensions (mm)</b>													
<b>Type</b>	<b>A</b>	<b>C<sub>min</sub></b>	<b>C<sub>max</sub></b>	<b>C1</b>	<b>D</b>	<b>D1</b>	<b>D2</b>	<b>E1</b>	<b>E2</b>	<b>L with ... stages (max. 12) each add.</b>			
										<b>1</b>	<b>2</b>	<b>3</b>	<b>stage</b>
P220	67	42	57	33	44	15	4,5	36	48	41	54	67	13
P221	67	42	57	33	44	15	4,5	36	48	44,5	61	77,5	16,5
P225	67	42	57	33	46	15	4,5	36	48	43	58	73	15
P226	67	42	57	33	46	15	4,5	36	48	46,5	65	83,5	18,5

# Base Mounting Switches

# sälzer

**Product line  
P200**

**Base mounting switch**

**Door interlock**

Modular shaft extension

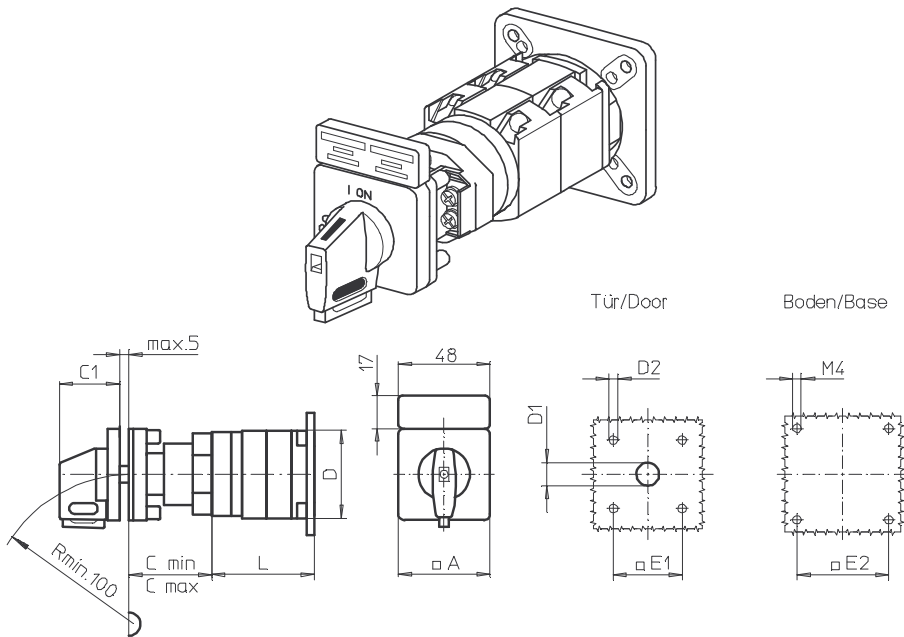
**Four hole mounting**

36 x 36 mm front

48 x 48 mm base

**034V1 (IP66)**

**034V4 (IP66)**



## Complete switch

## Poles

## Product line

## Rated data (IEC 60947)

## Order code number

Operational current  $I_e$

Operational power at 380–440 V

AC-21A AC-23A AC-3

A kW kW

Complete switch	Poles	Product line	Rated data (IEC 60947)	Order code number		
Main Switches Switching angle 90° OFF position padlockable 09h	1 ... 24	P200	20	7,5	5,5	<b>P220 - 61 ... - 034V1</b>
			25	11	7,5	<b>P225 - 61 ... - 034V1</b>
Main/Emergency-Off Switches Switching angle 90° OFF position padlockable 09h	1 ... 24	P200	20	7,5	5,5	<b>P220 - 61 ... - 034V4</b>
			25	11	7,5	<b>P225 - 61 ... - 034V4</b>

## SMD modules for basic switch A02

Mounting form module for 034V.

P200

**BFB2 - 042**

V-operator module 48 x 48 mm, mounting form 034V1

Escutcheon black, handle black

Legend plate silver, operator module 034V1

**2AV1 - 09**

**FAS2 - 9078**

V-operator module 48 x 48 mm, mounting form 034V4

Escutcheon black, handle red

Legend plate yellow, operator module 034V4

**2AV4 - 09**

**FBS2 - 9078**

Additional top escutcheon plate

**FAZ2 - 8041**

## Dimensions (mm)

Type	A	Cmin	Cmax	C1	D	D1	D2	E1	E2	L with ... stages (max. 12) each add.			
										1	2	3	stage
P220	48	42	57	32	44	12	4,5	36	48	41	54	67	13
P221	48	42	57	32	44	12	4,5	36	48	44,5	61	77,5	16,5
P225	48	42	57	32	46	12	4,5	36	48	43	58	73	15
P226	48	42	57	32	46	12	4,5	36	48	46,5	65	83,5	18,5

# Base Mounting Switches

# sälzer

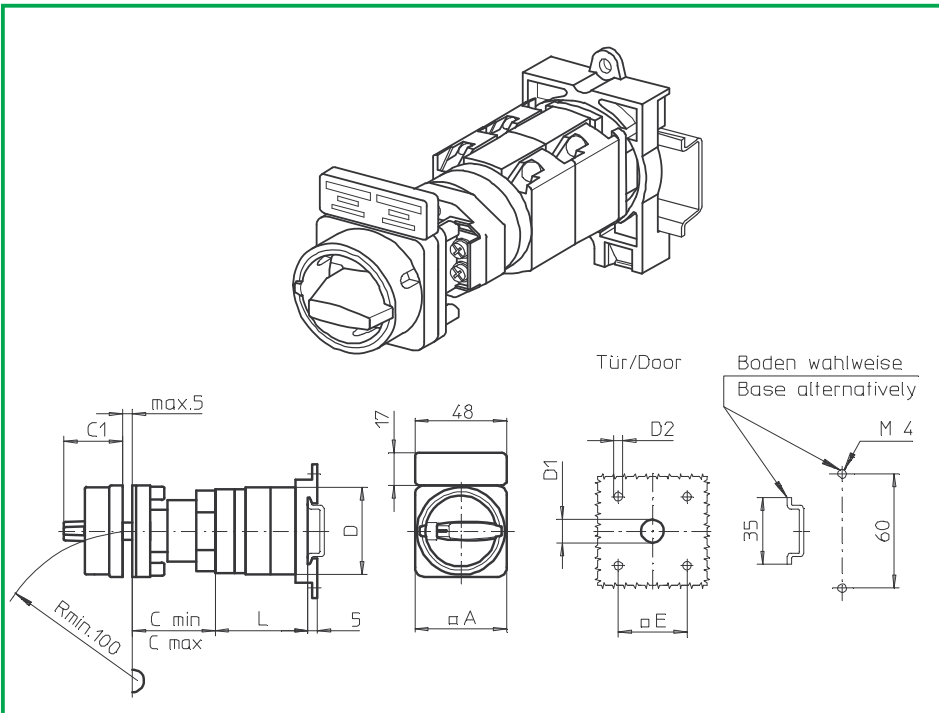
**Product line  
P200**

**Base mounting switch**

**Door interlock**  
Modular shaft extension

**Four hole mounting**  
36 x 36 mm front  
Snap mounting base plate

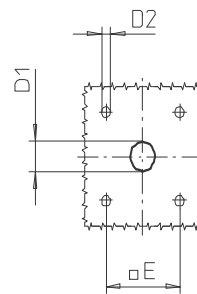
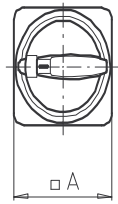
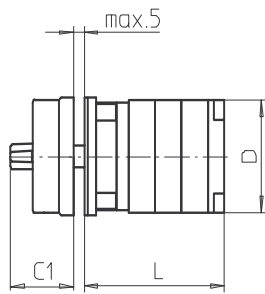
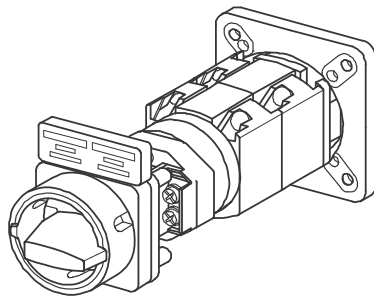
**235M1 (IP66)**  
**235M4 (IP66)**



Complete switch	Poles	Product line	Rated data (IEC 60947)			Order code number							
			Operational current I <sub>e</sub>	Operational power at 380–440 V									
			AC-21A A	AC-23A kW	AC-3 kW								
Main Switches Switching angle 90° OFF position padlockable 09h	1 ... 24	P200	20 25	7,5 11	5,5 7,5	<b>P220 - 61 ... - 235M1</b> <b>P225 - 61 ... - 235M1</b>							
Main/Emergency-Off Switches Switching angle 90° OFF position padlockable 09h	1 ... 24	P200	20 25	7,5 11	5,5 7,5	<b>P220 - 61 ... - 235M4</b> <b>P225 - 61 ... - 235M4</b>							
<b>SMD modules for basic switch A02</b>													
Mounting form module for 235M.			P200			<b>BFB2 - 242</b>							
M-padlock device 48 x 48 mm, mounting form 235M1 Escutcheon black, padlockable handle black						<b>2BM1</b>							
M-padlock device 48 x 48 mm, mounting form 235M4 Escutcheon yellow, padlockable handle red						<b>2BM4</b>							
Additional top escutcheon plate						<b>FAZ2 - 8041</b>							
<b>Dimensions (mm)</b>													
Type	A	C <sub>min</sub>	C <sub>max</sub>	C <sub>1</sub>	D	D <sub>1</sub>	D <sub>2</sub>	E	L with ... stages (max. 12)				each add. stage
									1	2	3	4	
P220	48	42	57	31	44	12	4,5	36	40	53	66	79	13
P221	48	42	57	31	44	12	4,5	36	43,5	60	76,5	93	16,5
P225	48	42	57	31	46	12	4,5	36	42	57	72	87	15
P226	48	42	57	31	46	12	4,5	36	45,5	64	82,5	101	18,5

# Base Mounting Switches

# sälzer



**Product line**  
**P200**

**Base mounting switch**

**Door interlock**  
Modular shaft extension

**Four hole mounting**  
36 x 36 mm front  
48 x 48 mm base

**135M1 (IP66)**  
**135M4 (IP66)**

Complete switch	Poles	Product line	Rated data (IEC 60947)			Order code number
			Operational current I <sub>e</sub>	Operational power at 380–440 V		
			AC-21A A	AC-23A kW	AC-3 kW	
Main Switches Switching angle 90° OFF position padlockable 09h	1 ... 24	P200	20	7,5	5,5	<b>P220 - 61 ... - 135M1</b>
			25	11	7,5	<b>P225 - 61 ... - 135M1</b>
Main/Emergency-Off Switches Switching angle 90° OFF position padlockable 09h	1 ... 24	P200	20	7,5	5,5	<b>P220 - 61 ... - 135M4</b>
			25	11	7,5	<b>P225 - 61 ... - 135M4</b>

### SMD modules for basic switch A02

Mounting form module for 135M.	P200	<b>BFB2 - 042</b>
M-padlock device 48 x 48 mm, mounting form 135M1 Escutcheon black, padlockable handle black		<b>2BM1</b>
M-padlock device 48 x 48 mm, mounting form 135M4 Escutcheon yellow, padlockable handle red		<b>2BM4</b>
Additional top escutcheon plate		<b>FAZZ - 8041</b>

### Dimensions (mm)

Type	A	C <sub>min</sub>	C <sub>max</sub>	C1	D	D1	D2	E1	E2	L with ... stages (max. 12) each add.			
										1	2	3	stage
P220	48	42	57	31	44	12	4,5	36	48	41	54	67	13
P221	48	42	57	31	44	12	4,5	36	48	44,5	61	77,5	16,5
P225	48	42	57	31	46	12	4,5	36	48	43	58	73	15
P226	48	42	57	31	46	12	4,5	36	48	46,5	65	83,5	18,5

# Base Mounting Switches

# sälzer

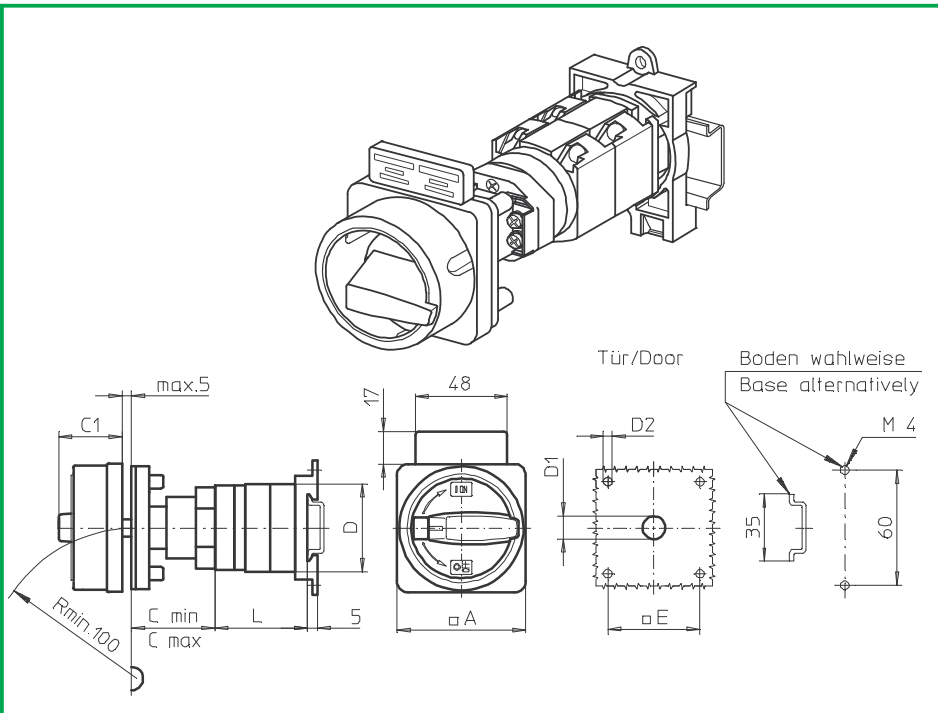
**Product line**  
**P200**

**Base mounting switch**  
Operator module of next size

**Door interlock**  
Modular shaft extension

**Four hole mounting**  
48 x 48 mm front  
Snap mounting base plate

**238M1 (IP66)**  
**238M4 (IP66)**



Complete switch	Poles	Product line	Rated data (IEC 60947)			Order code number							
			Operational current I <sub>e</sub>	Operational power at 380–440 V									
			AC-21A A	AC-23A kW	AC-3 kW								
Main Switches Switching angle 90° OFF position padlockable 09h	1 ... 24	P200	20 25	7,5 11	5,5 7,5	<b>P220 - 61 ... - 238M1</b> <b>P225 - 61 ... - 238M1</b>							
Main/Emergency-Off Switches Switching angle 90° OFF position padlockable 09h	1 ... 24	P200	20 25	7,5 11	5,5 7,5	<b>P220 - 61 ... - 238M4</b> <b>P225 - 61 ... - 238M4</b>							
<b>SMD modules for basic switch A02</b>													
Mounting form module for 238M.			P200			<b>BFC2 - 238</b>							
M-padlock device 67 x 67 mm, mounting form 238M1 Escutcheon black, padlockable handle black						<b>4BM1</b>							
M-padlock device 67 x 67 mm, mounting form 238M4 Escutcheon yellow, padlockable handle red						<b>4BM4</b>							
Additional top escutcheon plate						<b>FAZZ - 8041</b>							
<b>Dimensions (mm)</b>													
<b>Type</b>	<b>A</b>	<b>C<sub>min</sub></b>	<b>C<sub>max</sub></b>	<b>C1</b>	<b>D</b>	<b>D1</b>	<b>D2</b>	<b>E</b>	<b>L with ... stages (max. 12)</b>				<b>each add. stage</b>
P220	67	42	57	38	44	15	5	48	<b>1</b>	<b>2</b>	<b>3</b>	<b>4</b>	13
P221	67	42	57	38	44	15	5	48	43,5	60	76,5	93	16,5
P225	67	42	57	38	46	15	5	48	42	57	72	87	15
P226	67	42	57	38	46	15	5	48	45,5	64	82,5	101	18,5

# Base Mounting Switches

# sälzer

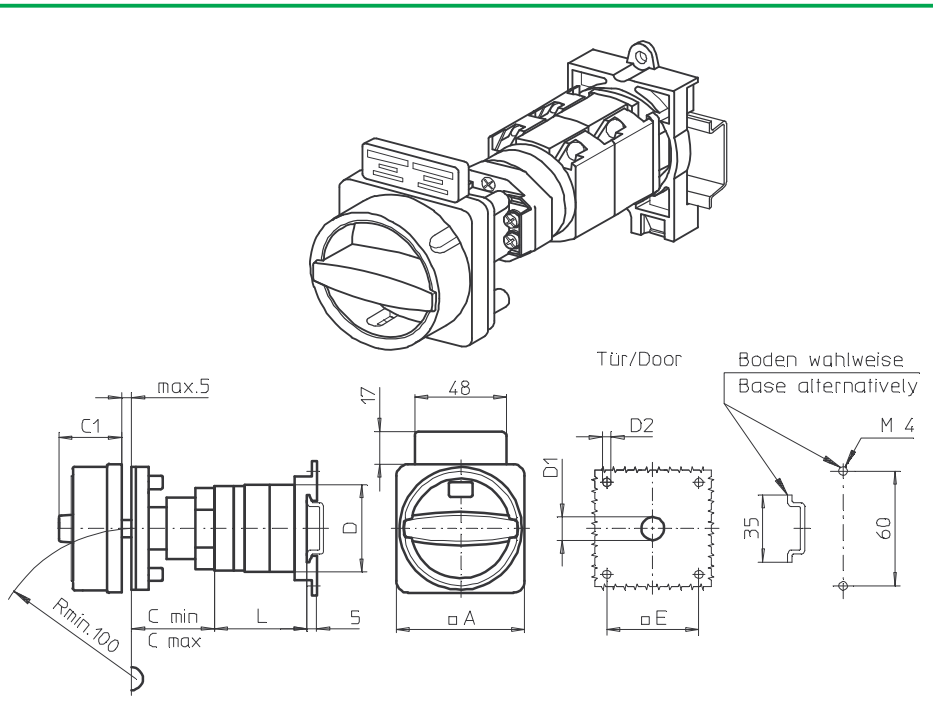
**Product line**  
**P200**

**Base mounting switch**  
Operator module of next size

**Door interlock**  
Modular shaft extension

**Four hole mounting**  
48 x 48 mm front  
Snap mounting base plate

**238N1 (IP66)**  
**238N4 (IP66)**



Complete switch	Poles	Product line	Rated data (IEC 60947)			Order code number
			Operational current I <sub>e</sub>	Operational power at 380–440 V		
			AC-21A A	AC-23A kW	AC-3 kW	
Main Switches Switching angle 90° OFF position padlockable 09h	1 ... 24	P200	20 25	7,5 11	5,5 7,5	<b>P220 - 61 ... - 238N1</b> <b>P225 - 61 ... - 238N1</b>
Main/Emergency-Off Switches Switching angle 90° OFF position padlockable 09h	1 ... 24	P200	20 25	7,5 11	5,5 7,5	<b>P220 - 61 ... - 238N4</b> <b>P225 - 61 ... - 238N4</b>

SMD modules for basic switch A02			
Mounting form module for 238N.		P200	<b>BFC2 - 238</b>
N-padlock device 67 x 67 mm, mounting form 238N1 Escutcheon black, padlockable handle black			<b>4BN1</b>
N-padlock device 67 x 67 mm, mounting form 238N4 Escutcheon yellow, padlockable handle red			<b>4BN4</b>
Additional top escutcheon plate			<b>FAZZ - 8041</b>

Dimensions (mm)													
Type	A	C <sub>min</sub>	C <sub>max</sub>	C <sub>1</sub>	D	D <sub>1</sub>	D <sub>2</sub>	E	L with ... stages (max. 12)				each add. stage
									1	2	3	4	
P220	67	42	57	33	44	15	5	48	40	53	66	79	13
P221	67	42	57	33	44	15	5	48	43,5	60	76,5	93	16,5
P225	67	42	57	33	46	15	5	48	42	57	72	87	15
P226	67	42	57	33	46	15	5	48	45,5	64	82,5	101	18,5

# Base Mounting Switches

# sälzer

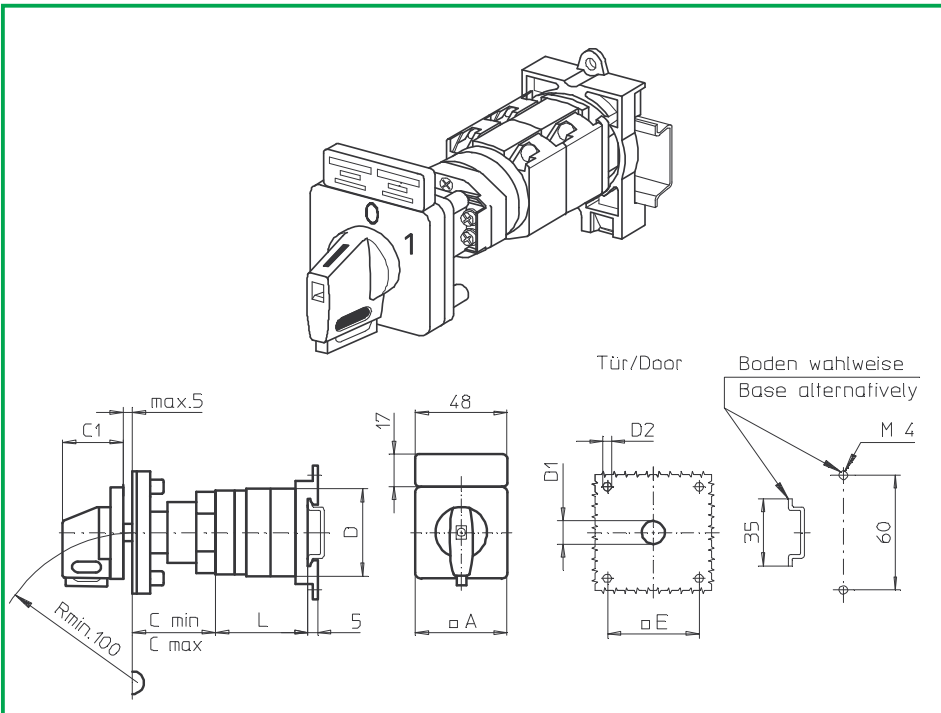
**Product line**  
**P200**

**Base mounting switch**  
Operator module of next size

**Door interlock**  
Modular shaft extension

**Four hole mounting**  
48 x 48 mm front  
Snap mounting base plate

**238V1 (IP66)**  
**238V4 (IP66)**



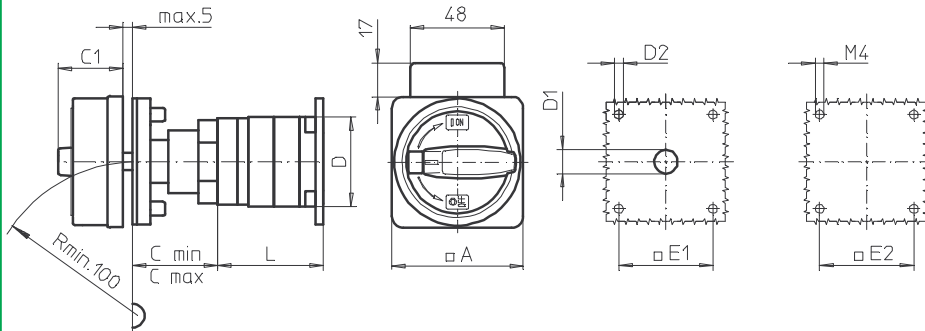
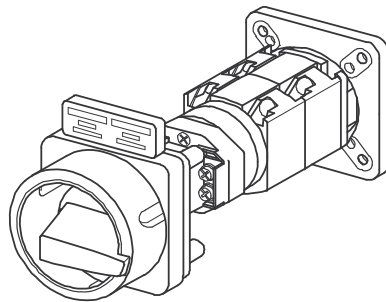
Complete switch	Poles	Product line	Rated data (IEC 60947)			Order code number
			Operational current I <sub>e</sub>	Operational power at 380–440 V		
			AC-21A A	AC-23A kW	AC-3 kW	
Main Switches Switching angle 90° OFF position padlockable 09h	1 ... 24	P200	20	7,5	5,5	<b>P220 - 61 ... - 238V1</b>
			25	11	7,5	<b>P225 - 61 ... - 238V1</b>
Main/Emergency-Off Switches Switching angle 90° OFF position padlockable 09h	1 ... 24	P200	20	7,5	5,5	<b>P220 - 61 ... - 238V4</b>
			25	11	7,5	<b>P225 - 61 ... - 238V4</b>

SMD modules for basic switch A02			
Mounting form module for 238V.		P200	<b>BFD2 - 248</b>
V-operator module 64 x 64 mm, mounting form 238V1 Escutcheon black, handle black Legend plate silver, operator module 238V1			<b>4AV1 - 09</b> <b>FAS4 - 9078</b>
V-operator module 64 x 64 mm, mounting form 238V4 Escutcheon black, handle red Legend plate yellow, operator module 238V4			<b>4AV4 - 09</b> <b>FBS4 - 9078</b>
Additional top escutcheon plate			<b>FAZ2 - 8041</b>

Dimensions (mm)													
Type	A	C <sub>min</sub>	C <sub>max</sub>	C <sub>1</sub>	D	D <sub>1</sub>	D <sub>2</sub>	E	L with ... stages (max. 12)				each add. stage
									1	2	3	4	
P220	64	42	57	39	44	15	5	48	40	53	66	79	13
P221	64	42	57	39	44	15	5	48	43,5	60	76,5	93	16,5
P225	64	42	57	39	46	15	5	48	42	57	72	87	15
P226	64	42	57	39	46	15	5	48	45,5	64	82,5	101	18,5

# Base Mounting Switches

# sälzer



**Product line**  
**P200**

**Base mounting switch**  
Operator module of next size

**Door interlock**  
Modular shaft extension

**Four hole mounting**  
48 x 48 mm front  
48 x 48 mm base

**038M1 (IP66)**  
**038M4 (IP66)**

Complete switch	Poles	Product line	Rated data (IEC 60947)			Order code number
			Operational current I <sub>e</sub>	Operational power at 380–440 V		
			AC-21A A	AC-23A kW	AC-3 kW	
Main Switches Switching angle 90° OFF position padlockable 09h	1 ... 24	P200	20	7,5	5,5	<b>P220 - 61 ... - 038M1</b>
			25	11	7,5	<b>P225 - 61 ... - 038M1</b>
Main/Emergency-Off Switches Switching angle 90° OFF position padlockable 09h	1 ... 24	P200	20	7,5	5,5	<b>P220 - 61 ... - 038M4</b>
			25	11	7,5	<b>P225 - 61 ... - 038M4</b>

### SMD modules for basic switch A02

Mounting form module for 038M.

P200

**BFC2 - 038**

M-padlock device 67 x 67 mm, mounting form 038M1  
Escutcheon black, padlockable handle black

**4BM1**

M-padlock device 67 x 67 mm, mounting form 038M4  
Escutcheon yellow, padlockable handle red

**4BM4**

Additional top escutcheon plate

**FAZZ - 8041**

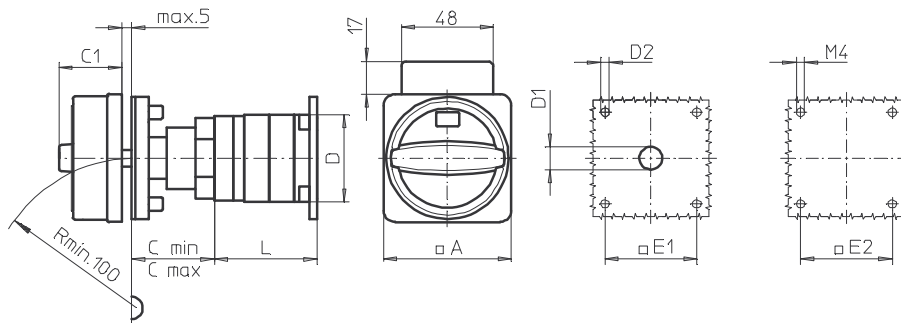
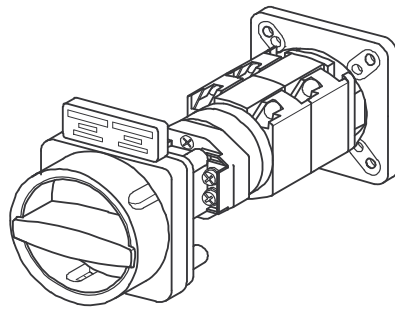
### Dimensions (mm)

Type	A	C <sub>min</sub>	C <sub>max</sub>	C1	D	D1	D2	E1	E2	L with ... stages (max. 12) each add.			stage
										1	2	3	
P220	67	42	57	38	44	15	5	48	48	41	54	67	13
P221	67	42	57	38	44	15	5	48	48	44,5	61	77,5	16,5
P225	67	42	57	38	46	15	5	48	48	43	58	73	15
P226	67	42	57	38	46	15	5	48	48	46,5	65	83,5	18,5



# Base Mounting Switches

# sälzer



**Product line**  
**P200**

**Base mounting switch**  
Operator module of next size

**Door interlock**  
Modular shaft extension

**Four hole mounting**  
48 x 48 mm front  
48 x 48 mm base

**038N1 (IP66)**  
**038N4 (IP66)**

Complete switch	Poles	Product line	Rated data (IEC 60947)			Order code number							
			Operational current I <sub>e</sub>	Operational power at 380–440 V									
			AC-21A A	AC-23A kW	AC-3 kW								
Main Switches Switching angle 90° OFF position padlockable 09h	1 ... 24	P200	20 25	7,5 11	5,5 7,5	<b>P220 - 61 ... - 038N1</b> <b>P225 - 61 ... - 038N1</b>							
Main/Emergency-Off Switches Switching angle 90° OFF position padlockable 09h	1 ... 24	P200	20 25	7,5 11	5,5 7,5	<b>P220 - 61 ... - 038N4</b> <b>P225 - 61 ... - 038N4</b>							
<b>SMD modules for basic switch A02</b>													
Mounting form module for 038N.			P200			<b>BFC2 - 038</b>							
N-padlock device 67 x 67 mm, mounting form 038N1 Escutcheon black, padlockable handle black						<b>4BN1</b>							
N-padlock device 67 x 67 mm, mounting form 038N4 Escutcheon yellow, padlockable handle red						<b>4BN4</b>							
Additional top escutcheon plate						<b>FAZZ - 8041</b>							
<b>Dimensions (mm)</b>													
<b>Type</b>	<b>A</b>	<b>C<sub>min</sub></b>	<b>C<sub>max</sub></b>	<b>C1</b>	<b>D</b>	<b>D1</b>	<b>D2</b>	<b>E1</b>	<b>E2</b>	<b>L with ... stages (max. 12) each add. stage</b>			
P220	67	42	57	32	44	15	5	48	48	1	2	3	13
P221	67	42	57	32	44	15	5	48	48	44,5	61	77,5	16,5
P225	67	42	57	32	46	15	5	48	48	43	58	73	15
P226	67	42	57	32	46	15	5	48	48	46,5	65	83,5	18,5

# Base Mounting Switches

# sälzer

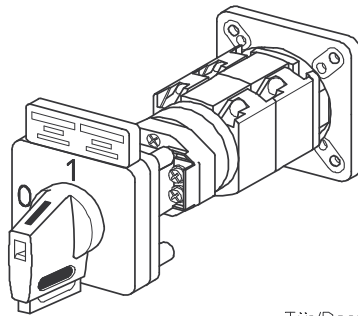
**Product line**  
**P200**

**Base mounting switch**  
Operator module of next size

**Door interlock**  
Modular shaft extension

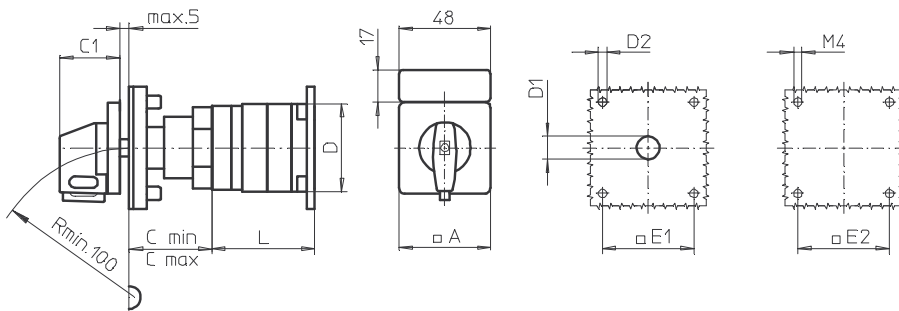
**Four hole mounting**  
48 x 48 mm front  
48 x 48 mm base

**038V1 (IP66)**  
**038V4 (IP66)**



Tür/Door

Boden/Base



Complete switch	Poles	Product line	Rated data (IEC 60947)			Order code number
			Operational current I <sub>e</sub>	Operational power at 380–440 V		
			AC-21A A	AC-23A kW	AC-3 kW	
Main Switches Switching angle 90° OFF position padlockable 09h	1 ... 24	P200	20 25	7,5 11	5,5 7,5	<b>P220 - 61 ... - 038V1</b> <b>P225 - 61 ... - 038V1</b>
Main/Emergency-Off Switches Switching angle 90° OFF position padlockable 09h	1 ... 24	P200	20 25	7,5 11	5,5 7,5	<b>P220 - 61 ... - 038V4</b> <b>P225 - 61 ... - 038V4</b>

### SMD modules for basic switch A02

Mounting form module for 038V.

P200

**BFD2 - 048**

V-operator module 64 x 64 mm, mounting form 038V1  
Escutcheon black, handle black  
Legend plate silver, operator module 038V1

**4AV1 - 09**

V-operator module 64 x 64 mm, mounting form 038V4  
Escutcheon black, handle red  
Legend plate yellow, operator module 038V4

**FAS4 - 9078**

**4AV4 - 09**

**FBS4 - 9078**

Additional top escutcheon plate

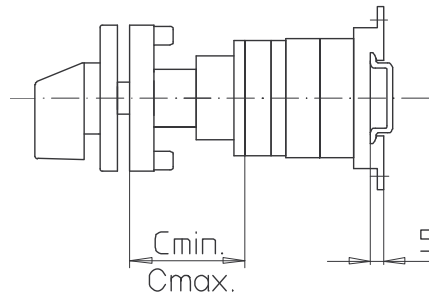
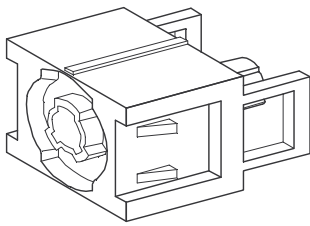
**FAZ2 - 8041**

### Dimensions (mm)

Type	A	C <sub>min</sub>	C <sub>max</sub>	C <sub>1</sub>	D	D <sub>1</sub>	D <sub>2</sub>	E <sub>1</sub>	E <sub>2</sub>	L with ... stages (max. 12) each add.			
										1	2	3	stage
P220	64	42	57	39	44	15	5	48	48	41	54	67	13
P221	64	42	57	39	44	15	5	48	48	44,5	61	77,5	16,5
P225	64	42	57	39	46	15	5	48	48	43	58	73	15
P226	64	42	57	39	46	15	5	48	48	46,5	65	83,5	18,5

# Base mounting switch

**sälzer**



**Product line**  
**P200**

**Base mounting switch**

**Door interlock**  
Modular shaft extension

**Four hole mounting**  
front

**AVC2 - .**

## Modular shaft extensions for use with door interlock

Dimension  $C_{min}$ ,  $C_{max}$

Dimension	$C_{min}$	$C_{max}$	No.	Order code number
0	42 mm	57 mm	-	-
1	64 mm	82 mm	1	AVC2 - 1
2	89 mm	107 mm	1	AVC2 - 2
3	114 mm	132 mm	1	AVC2 - 3
4	139 mm	157 mm	1	AVC2 - 4
5	164 mm	182 mm	1	AVC2 - 5
6	189 mm	207 mm	1	AVC2 - 6



## Section C

### Insulated Enclosures

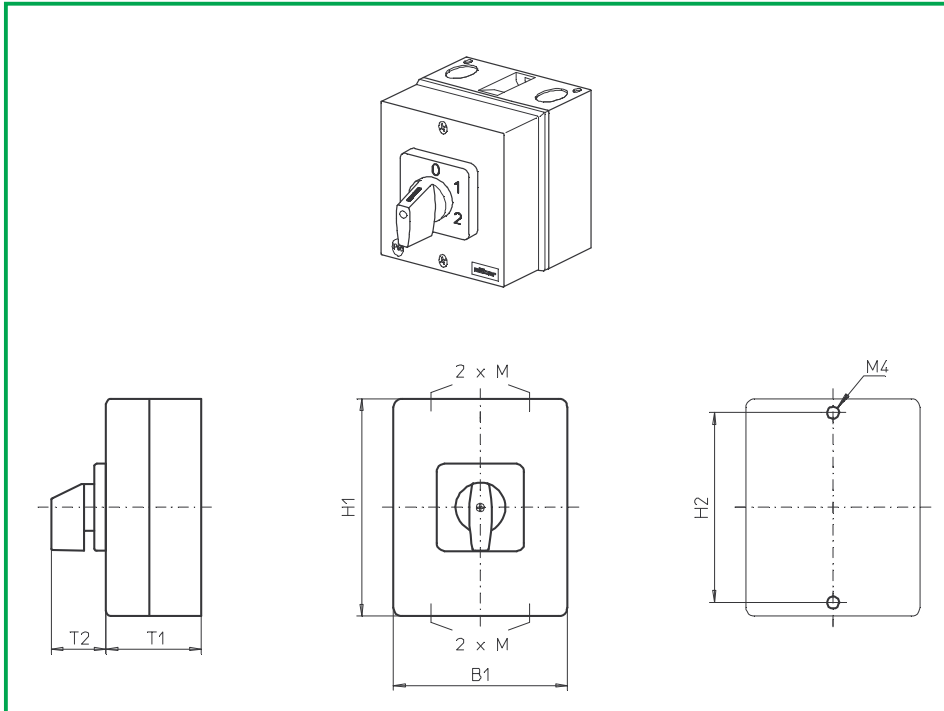
Page	
from	to
<b>C1-1</b>	<b>C1-11</b>

---

**Originator: Sälzer Electric GmbH · Product Data Management (PDM) · 09306 Rochlitz (Germany)**  
Copyright reserved by Sälzer Electric GmbH. This document replaces all previous issues.  
Valid until a new version is published. Changes and revisions reserved.

# Enclosed Switches

# sälzer



**Product lines**  
**P200**

**Enclosed switches**

**Insulated enclosure**  
100 x 80 x 65 mm

**Cable entries**  
4 x M20

**076M1 (IP66)**

Complete switch	Poles	Product line	Rated data (IEC 60947)			Order code number
			Operational current $I_e$	Operational power at 380–440 V		
			AC-21A A	AC-23A kW	AC-3 kW	
Rotary Cam Switches Switching angle 30°/45°/60°/90°	1 ... 2	P200	20	7,5	5,5	<b>P220 - 61 ... - 076M1</b>
<b>SMD modules for basic switch A02</b>						
Mounting form module for 076M1, 1 contact stage			P220			<b>BFG2 - EA</b>
Mounting form module for 076M1						<b>PAM2 - 076M1</b>
Legend plate silver, enclosure module 076M1						<b>FAS2 - .... (FA number)</b>
<b>Dimensions (mm)</b>						
<b>Type</b>	<b>H1</b>	<b>B1</b>	<b>T1</b>	<b>T2</b>	<b>2xM</b>	<b>H2</b>
P220	100	80	65	32	20	90

# Enclosed Switches

# sälzer

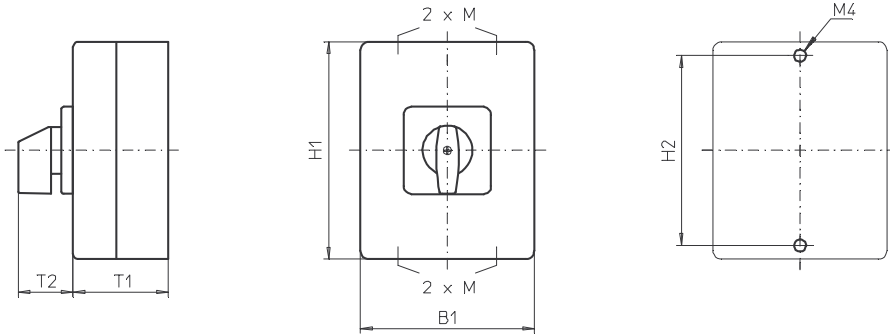
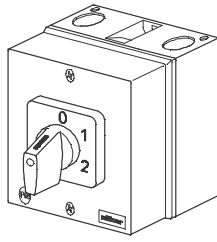
**Product lines**  
**P200**

**Enclosed switches**

**Insulated enclosure**  
100 x 80 x 85 mm

**Cable entries**  
4 x M20

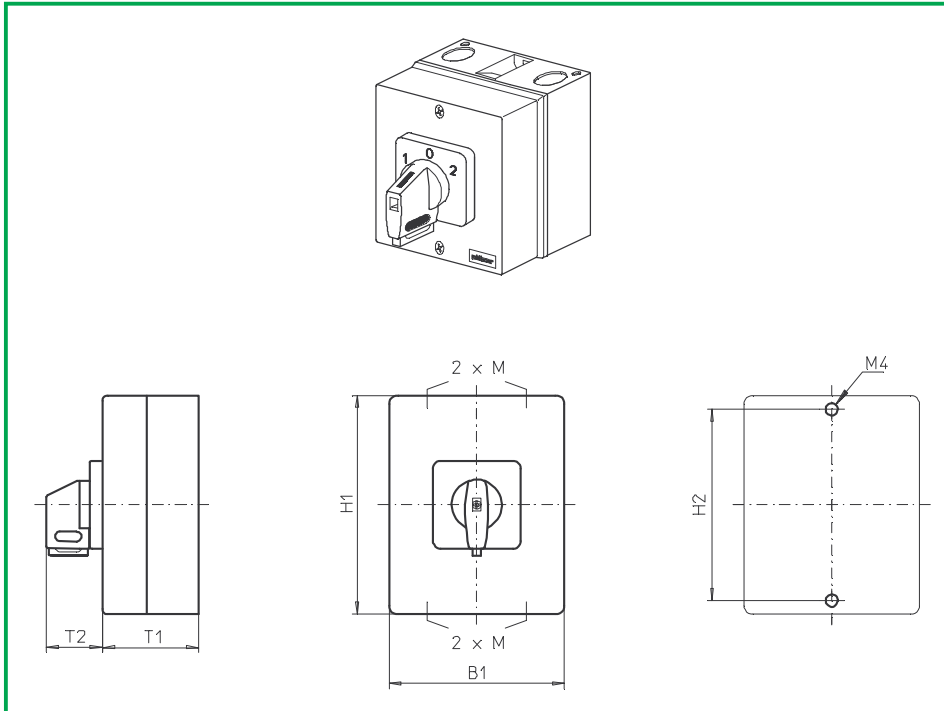
**176M1 (IP66)**



Complete switch	Poles	Product line	Rated data (IEC 60947)			Order code number
			Operational current I <sub>e</sub>	Operational power at 380–440 V		
			AC-21A A	AC-23A kW	AC-3 kW	
Rotary Cam Switches Switching angle 30°/45°/60°/90°	3 ... 6	P200	20	7,5	5,5	<b>P220 - 61 ... - 176M1</b>
<b>SMD modules for basic switch A02</b>						
Mounting form module for 176M1, 2 contact stages			P220			<b>BFH2 - EA</b>
Mounting form module for 176M1, 3 contact stages						<b>BFF2 - EA</b>
Mounting form module for 176M1						<b>PAM2 - 176M1</b>
Legend plate silver, enclosure module 176M1						<b>FAS2 - .... (FA number)</b>
<b>Dimensions (mm)</b>						
<b>Type</b>	<b>H1</b>	<b>B1</b>	<b>T1</b>	<b>T2</b>	<b>2xM</b>	<b>H2</b>
P220	100	80	85	32	20	90

# Enclosed Switches

# sälzer



**Product lines**  
**P200**

**Enclosed switches**

**Insulated enclosure**  
100 x 80 x 65 mm

**Cable entries**  
4 x M20

**076V1 (IP66)**  
**078V1 (IP66)**

Complete switch	Poles	Product line	Rated data (IEC 60947)			Order code number
			Operational current I <sub>e</sub>	Operational power at 380–440 V		
			AC-21A A	AC-23A kW	AC-3 kW	
Rotary Cam Switches Switching angle 30°/45°/60°/90° Padlockable 12h	1 ... 2	P200	20	7,5	5,5	<b>P220 - 61 ... - 076V1</b>
Rotary Cam Switches Switching angle 90° 3 positions padlockable (09h/12h/03h)	1 ... 2	P200	20	7,5	5,5	<b>P220 - 61 ... - 078V1</b>
<b>SMD modules for basic switch A02</b>						
Mounting form module for 076V1/ 078V1, 1 contact stage			P220			<b>BFG2 - EA</b>
Mounting form module for 076V1						<b>PAM2 - 076V1</b>
Mounting form module for 078V1						<b>PAM2 - 078V1</b>
Legend plate silver, enclosure modules 076V1/ 078V1						<b>FAS2 - .... (FA number)</b>
<b>Dimensions (mm)</b>						
<b>Type</b>	<b>H1</b>	<b>B1</b>	<b>T1</b>	<b>T2</b>	<b>2xM</b>	<b>H2</b>
P220	100	80	65	32	20	90

# Enclosed Switches

# sälzer

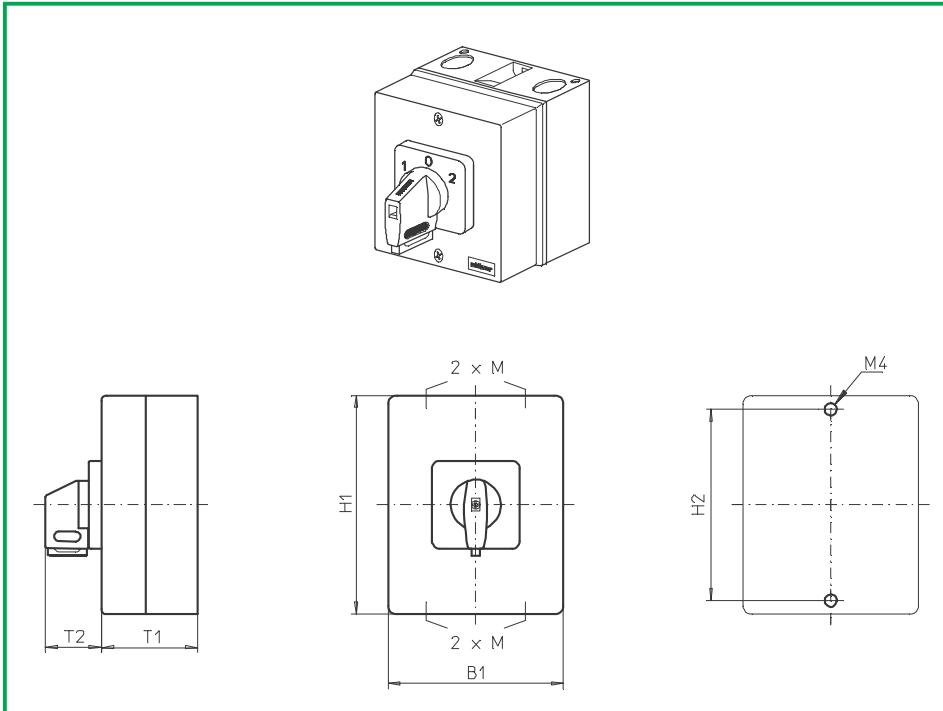
**Product lines**  
**P200**

**Enclosed switches**

**Insulated enclosure**  
100 x 80 x 85 mm

**Cable entries**  
4 x M20

**176V1 (IP66)**  
**178V1 (IP66)**

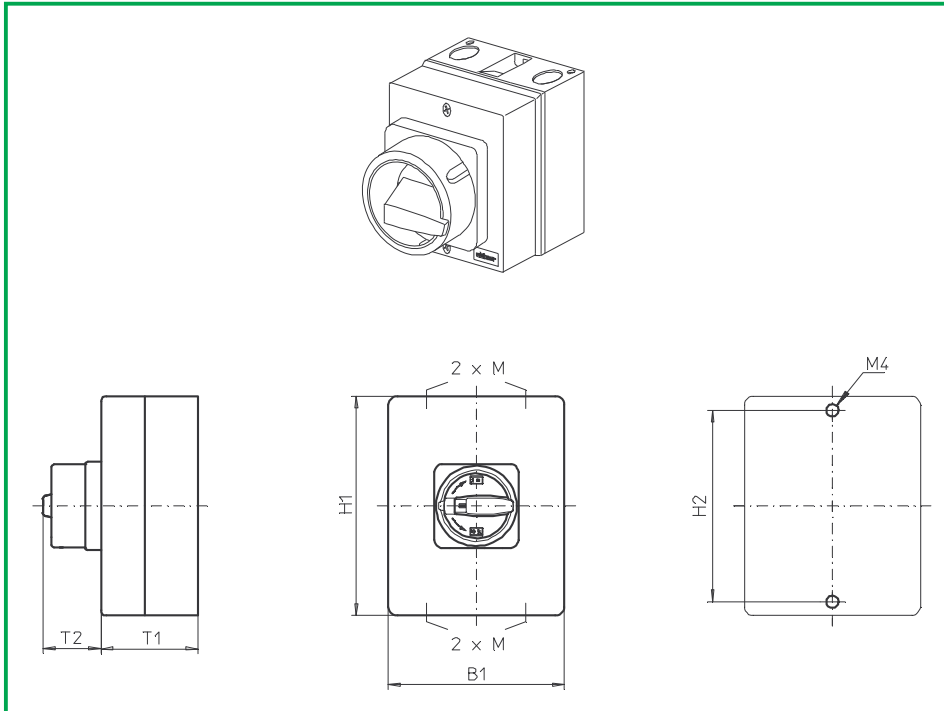


Complete switch	Poles	Product line	Rated data (IEC 60947)			Order code number
			Operational current I <sub>e</sub>	Operational power at 380–440 V		
			AC-21A A	AC-23A kW	AC-3 kW	
Rotary Cam Switches Switching angle 30°/45°/60°/90° Padlockable 12h	3 ... 6	P200	20	7,5	5,5	<b>P220 - 61 ... - 176V1</b>
Rotary Cam Switches Switching angle 90° 3 positions padlockable (09h/12h/03h)	3 ... 6	P200	20	7,5	5,5	<b>P220 - 61 ... - 178V1</b>
<b>SMD modules for basic switch A02</b>						
Mounting form module for 176V1/ 178V1, 2 contact stages			P220			<b>BFH2 - EA</b>
Mounting form module for 176V1/ 178V1, 3 contact stages						<b>BFF2 - EA</b>
Mounting form module for 176V1						<b>PAM2 - 176V1</b>
Mounting form module for 178V1						<b>PAM2 - 178V1</b>
Legend plate silver, enclosure modules 176V1/ 178V1						<b>FAS2 - .... (FA number)</b>
<b>Dimensions (mm)</b>						
<b>Type</b>	<b>H1</b>	<b>B1</b>	<b>T1</b>	<b>T2</b>	<b>2xM</b>	<b>H2</b>
P220	100	80	85	32	20	90



# Enclosed Switches

# sälzer



**Product lines**  
**P200**

**Enclosed switches**

**Insulated enclosure**  
100 x 80 x 65 mm

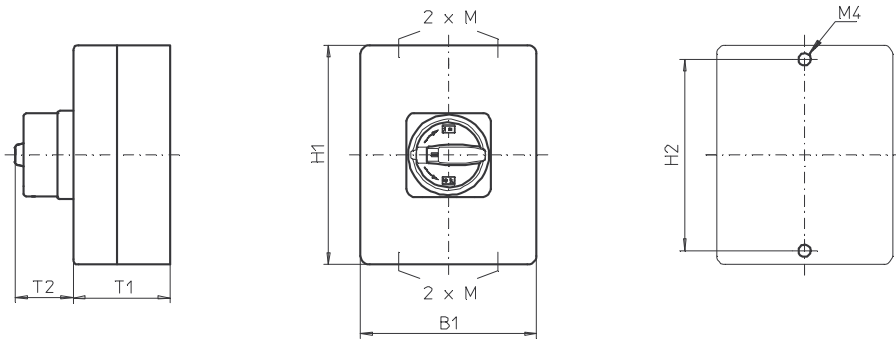
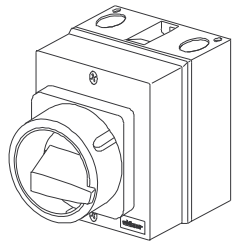
**Cable entries**  
4 x M20

**077M1 (IP66)**  
**077M4 (IP66)**

Complete switch	Poles	Product line	Rated data (IEC 60947)			Order code number
			Operational current $I_e$	Operational power at 380–440 V		
			AC-21A A	AC-23A kW	AC-3 kW	
Main Switches OFF position padlockable 09h	1 ... 2	P200	20	7,5	5,5	<b>P220 - 61 ... - 077M1</b>
Main/Emergency-Off Switches OFF position padlockable 09h	1 ... 2	P200	20	7,5	5,5	<b>P220 - 61 ... - 077M4</b>
<b>SMD modules for basic switch A02</b>						
Mounting form module for 077M., 1 contact stage			P220			<b>BFG2 - EA</b>
Mounting form module for 077M1						<b>PAM2 - 077M1</b>
Mounting form module for 077M4						<b>PAM2 - 077M4</b>
<b>Dimensions (mm)</b>						
<b>Type</b>	<b>H1</b>	<b>B1</b>	<b>T1</b>	<b>T2</b>	<b>2xM</b>	<b>H2</b>
P220	100	80	65	38	20	90

# Enclosed Switches

**sälzer**



**Product lines  
P200**

**Enclosed switches**

**Insulated enclosure**  
100 x 80 x 85 mm

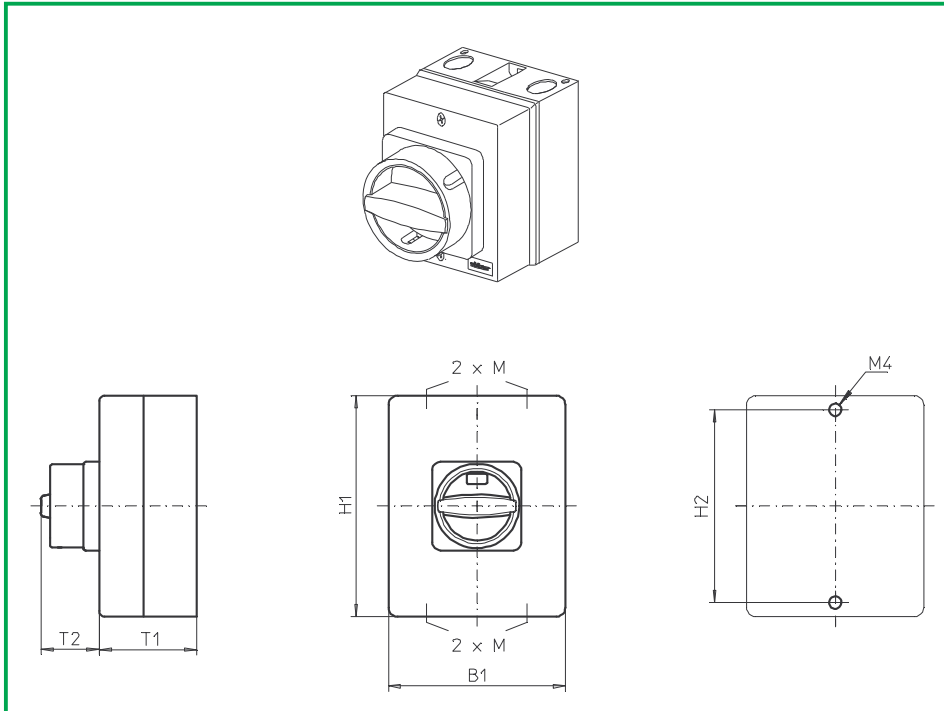
**Cable entries**  
4 x M20

**177M1 (IP66)**  
**177M4 (IP66)**

Complete switch	Poles	Product line	Rated data (IEC 60947)			Order code number
			Operational current I <sub>e</sub> AC-21A A	Operational power at 380–440 V AC-23A kW		
Main Switches OFF position padlockable 09h	3 ... 6	P200	20	7,5	5,5	<b>P220 - 61 ... - 177M1</b>
Main/Emergency-Off Switches OFF position padlockable 09h	3 ... 6	P200	20	7,5	5,5	<b>P220 - 61 ... - 177M4</b>
<b>SMD modules for basic switch A02</b>						
Mounting form module for 177M., 2 contact stages			P220			<b>BFH2 - EA</b>
Mounting form module for 177M., 3 contact stages						<b>BFF2 - EA</b>
Mounting form module for 177M1						<b>PAM2 - 177M1</b>
Mounting form module for 177M4						<b>PAM2 - 177M4</b>
<b>Dimensions (mm)</b>						
<b>Type</b>	<b>H1</b>	<b>B1</b>	<b>T1</b>	<b>T2</b>	<b>2xM</b>	<b>H2</b>
P220	100	80	85	38	20	90

# Enclosed Switches

**sälzer**



**Product lines  
P200**

**Enclosed switches**

**Insulated enclosure**  
100 x 80 x 65 mm

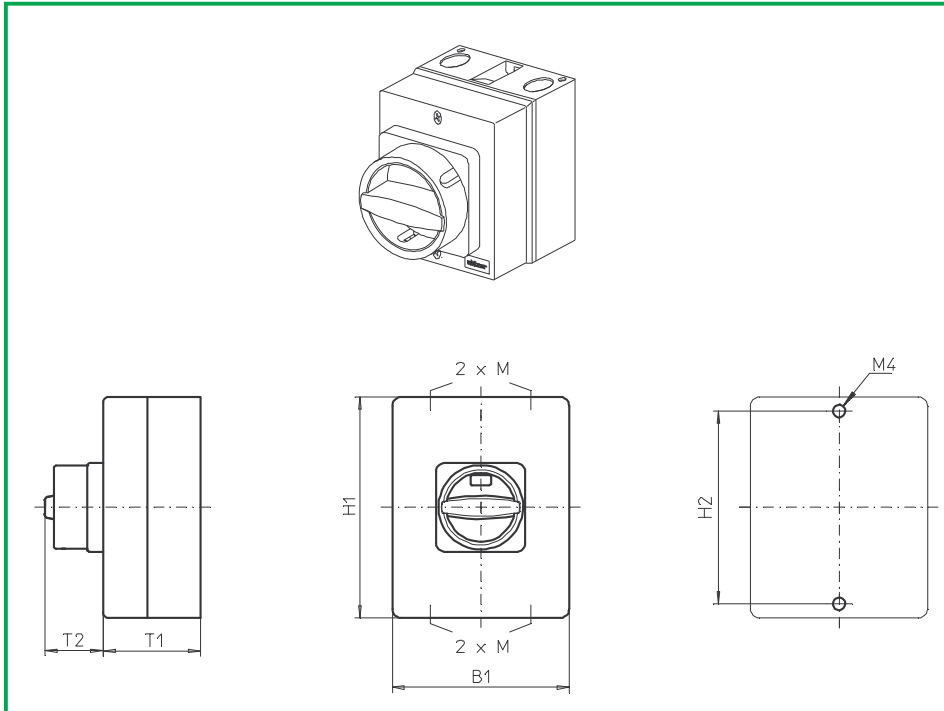
**Cable entries**  
4 x M20

**077N1 (IP66)**  
**077N4 (IP66)**

Complete switch	Poles	Product line	Rated data (IEC 60947)			Order code number
			Operational current I <sub>e</sub> AC-21A A	Operational power at 380–440 V AC-23A kW		
Main Switches OFF position padlockable 09h	1 ... 2	P200	20	7,5	5,5	<b>P220 - 61 ... - 077N1</b>
Main/Emergency-Off Switches OFF position padlockable 09h	1 ... 2	P200	20	7,5	5,5	<b>P220 - 61 ... - 077N4</b>
<b>SMD modules for basic switch A02</b>						
Mounting form module for 077N., 1 contact stage			P220			<b>BFG2-EA</b>
Mounting form module for 077N1						<b>PAM2 - 077N1</b>
Mounting form module for 077N4						<b>PAM2 - 077N4</b>
<b>Dimensions (mm)</b>						
<b>Type</b>	<b>H1</b>	<b>B1</b>	<b>T1</b>	<b>T2</b>	<b>2xM</b>	<b>H2</b>
P220	100	80	65	33	20	90

# Enclosed Switches

**sälzer**



**Product lines  
P200**

**Enclosed switches**

**Insulated enclosure**  
100 x 80 x 85 mm

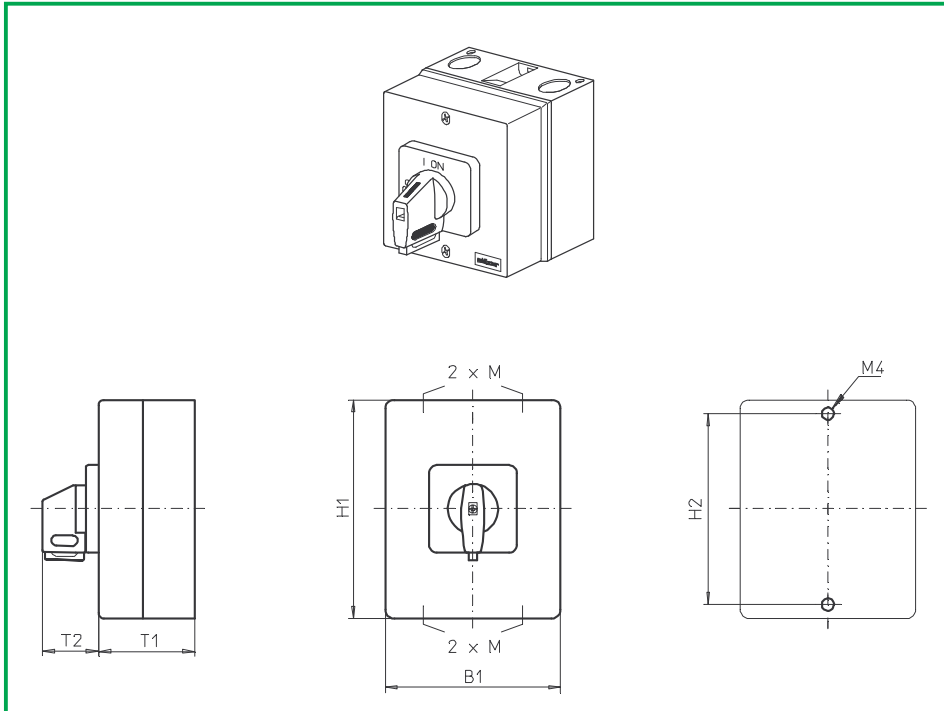
**Cable entries**  
4 x M20

**177N1 (IP66)**  
**177N4 (IP66)**

Complete switch	Poles	Product line	Rated data (IEC 60947)			Order code number
			Operational current I <sub>e</sub> AC-21A A	Operational power at 380–440 V AC-23A kW		
Main Switches OFF position padlockable 09h	3 ... 6	P200	20	7,5	5,5	<b>P220 - 61 ... - 177N1</b>
Main/Emergency-Off Switches OFF position padlockable 09h	3 ... 6	P200	20	7,5	5,5	<b>P220 - 61 ... - 177N4</b>
<b>SMD modules for basic switch A02</b>						
Mounting form module for 177N., 2 contact stages			P220			<b>BFH2 - EA</b>
Mounting form module for 177N., 3 contact stages						<b>BFF2 - EA</b>
Mounting form module for 177N1						<b>PAM2 - 177N1</b>
Mounting form module for 177N4						<b>PAM2 - 177N4</b>
<b>Dimensions (mm)</b>						
<b>Type</b>	<b>H1</b>	<b>B1</b>	<b>T1</b>	<b>T2</b>	<b>2xM</b>	<b>H2</b>
P220	100	80	85	33	20	90

# Enclosed Switches

# sälzer



**Product lines**  
**P200**

**Enclosed switches**

**Insulated enclosure**  
100 x 80 x 65 mm

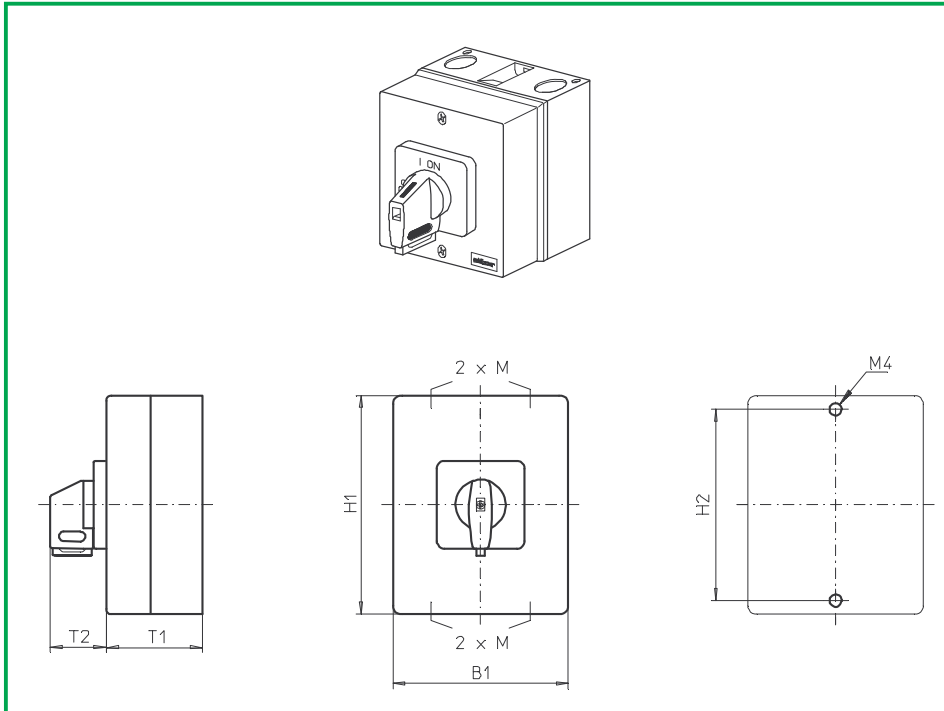
**Cable entries**  
4 x M20

**077V1 (IP66)**  
**077V4 (IP66)**

Complete switch	Poles	Product line	Rated data (IEC 60947)			Order code number
			Operational current I <sub>e</sub>	Operational power at 380–440 V		
			AC-21A A	AC-23A kW	AC-3 kW	
Main Switches OFF position padlockable 09h	1 ... 2	P200	20	7,5	5,5	<b>P220 - 61 ... - 077V1</b>
Main/Emergency-Off Switches OFF position padlockable 09h	1 ... 2	P200	20	7,5	5,5	<b>P220 - 61 ... - 077V4</b>
<b>SMD modules for basic switch A02</b>						
Mounting form module for 077V., 1 contact stage			P220			<b>BFG2 - EA</b>
Mounting form module for 077V1						<b>PAM2 - 077V1</b>
Mounting form module for 077V4						<b>PAM2 - 077V4</b>
Legend plate silver, enclosure module 077V1						<b>FAS2 - 9078</b>
Legend plate yellow, enclosure module 077V4						<b>FBS2 - 9078</b>
<b>Dimensions (mm)</b>						
<b>Type</b>	<b>H1</b>	<b>B1</b>	<b>T1</b>	<b>T2</b>	<b>2xM</b>	<b>H2</b>
P220	100	80	65	32	20	90

# Enclosed Switches

# sälzer



**Product lines**  
**P200**

**Enclosed switches**

**Insulated enclosure**  
100 x 80 x 85 mm

**Cable entries**  
4 x M20

**177V1 (IP66)**  
**177V4 (IP66)**

Complete switch	Poles	Product line	Rated data (IEC 60947)			Order code number
			Operational current $I_e$	Operational power at 380–440 V		
			AC-21A A	AC-23A kW	AC-3 kW	
Main Switches OFF position padlockable 09h	3 ... 6	P200	20	7,5	5,5	<b>P220 - 61 ... - 177V1</b>
Main/Emergency-Off Switches OFF position padlockable 09h	3 ... 6	P200	20	7,5	5,5	<b>P220 - 61 ... - 177V4</b>
<b>SMD modules for basic switch A02</b>						
Mounting form module for 177V., 2 contact stages			P220			<b>BFH2 - EA</b>
Mounting form module for 177V., 3 contact stages						<b>BFF2 - EA</b>
Mounting form module for 177V1						<b>PAM2 - 177V1</b>
Mounting form module for 177V4						<b>PAM2 - 177V4</b>
Legend plate silver, enclosure module 177V1						<b>FAS2 - 9078</b>
Legend plate yellow, enclosure module 177V4						<b>FBS2 - 9078</b>
<b>Dimensions (mm)</b>						
<b>Type</b>	<b>H1</b>	<b>B1</b>	<b>T1</b>	<b>T2</b>	<b>2xM</b>	<b>H2</b>
P220	100	80	85	32	20	90

# Enclosed Switches

# sälzer

**Product lines**  
**P200**

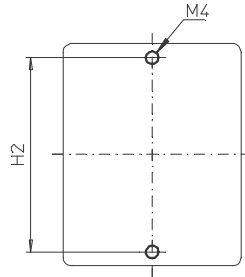
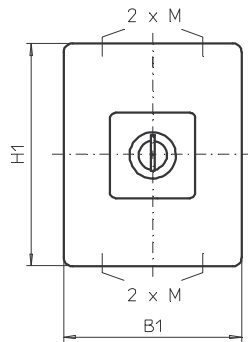
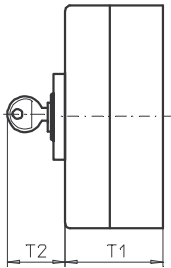
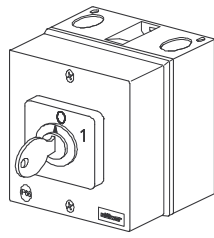
**Insulated enclosure**  
**Polycarbonate**

100 x 80 x 85 mm (1-2 SZ)

**Cable entries**  
4 x M20

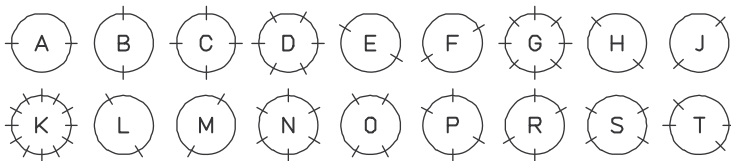
Key operated

**E001. (IP40)**



Complete switch	Poles	Product line	Rated data (IEC 60947)			Order code number
			Operational current I <sub>e</sub>	Operational power at 380–440 V		
			AC-21A A	AC-23A kW	AC-3 kW	
Rotary Cam Switches Switching angle 30°/45°/60°/90°	1 ... 4	P200	20	7,5	5,5	<b>P220 - 61 ... - E001.</b>

The dot in the order code number of the complete mounting form/operator module must be replaced by the classification letter which identifies the key removable positions:



Lines indicate the key removable positions.

### SMD modules for basic switch A01

Enclosure module, mounting form E001. for 1-2 stages

P220

**PAM2 - E**

Operator module 48 x 48 mm, mounting form E001.

**2AS1 - 001.**

Escutcheon black, Ronis lock C001, 2 keys

Legend plate silver, operator module E001.

**FAS2 - .... (FA number)**

### Dimensions (mm)

Type	H1	B1	T1	T2	2xM	H2
P220	100	80	85	33	20	90



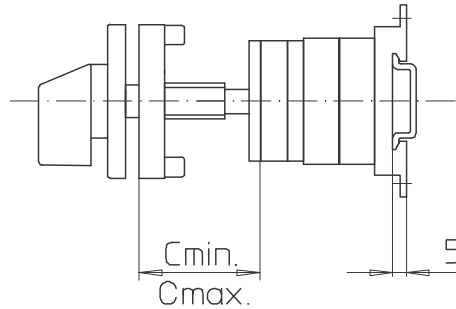
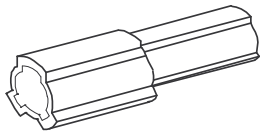
## Section D

	Page	
	from	to
<b>Shaft extensions</b>	<b>D1-1</b>	<b>D1-2</b>
<b>Additional top escutcheon plates</b>	<b>D2-1</b>	<b>D2-2</b>
<b>Assembly tool</b>	<b>D3-1</b>	<b>D3-1</b>

---

**Originator: Sälzer Electric GmbH · Product Data Management (PDM) · 09306 Rochlitz (Germany)**  
 Copyright reserved by Sälzer Electric GmbH. This document replaces all previous issues.  
 Valid until a new version is published. Changes and revisions reserved.





**Product line**  
**P200**

**Base mounting switch**

**Door clutch**  
Modular shaft extension

**Four hole mounting**  
front

**AVD2**

### Modular shaft extensions for use with door clutch

Dimension C<sub>min</sub>, C<sub>max</sub>

Dimension	C <sub>min</sub>	C <sub>max</sub>	No.	Order code number
0	42 mm	59 mm	-	-
1	60 mm	84 mm	1	AVD2
2	85 mm	109 mm	2	AVD2
3	110 mm	134 mm	3	AVD2
4	135 mm	159 mm	4	AVD2
5	160 mm	184 mm	5	AVD2
6	185 mm	209 mm	6	AVD2

### Product lines P200

AVD2 is suitable to extend the shaft:

#### 48 x 48 mm Base mounting

031M1/ 031M4

032M1/ 032M4  
032N1/ 032N4  
032V1/ 032V4

037M1/ 037M4  
037N1/ 037N4  
037V1/ 037V4

040V1  
041M1/ 041V1

046V1/ 047V1

047M1

#### Base mounting Snap on mounting

231M1/ 231M4

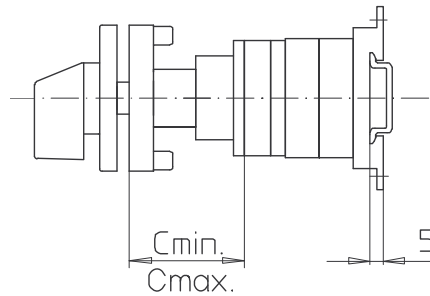
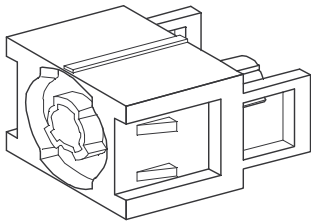
232M1/ 232M4  
232N1/ 232N4  
232V1/ 232V4

237M1/ 237M4  
237N1/ 237N4  
237V1/ 237V4

240V1  
241M1/ 241V1

246V1/ 247V1

247M1



**Product line  
P200**

**Base mounting switch**

**Door interlock**  
Modular shaft extension

**Four hole mounting**  
front

**AVC2 - .**

### Modular shaft extensions for use with door interlock

Dimension C<sub>min</sub>, C<sub>max</sub>

Dimension	C <sub>min</sub>	C <sub>max</sub>	No.	Order code number
0	42 mm	57 mm	-	-
1	64 mm	82 mm	1	AVC2 - 1
2	89 mm	107 mm	1	AVC2 - 2
3	114 mm	132 mm	1	AVC2 - 3
4	139 mm	157 mm	1	AVC2 - 4
5	164 mm	182 mm	1	AVC2 - 5
6	189 mm	207 mm	1	AVC2 - 6

### Product line P200

AVC2 - . is suitable to extend the shaft:

**48 x 48 mm  
Base mounting**

**Base mounting  
Snap on mounting**

034M1/ 034M4  
034N1/ 034N4  
034V1/ 034V4

234M1/ 234M4  
234N1/ 234N4  
234V1/ 234V4

038M1/ 038M4  
038N1/ 038N4  
038V1/ 038V4

238M1/ 238M4  
238N1/ 238N4  
238V1/ 237V4

042M1  
042V1/ 043V1

242M1  
242V1/ 243V1

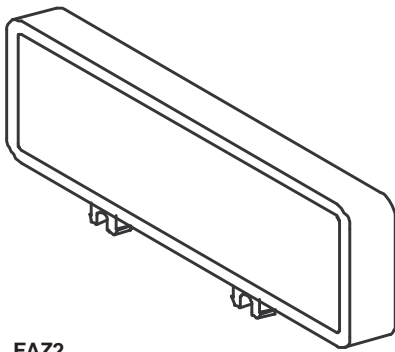
048M1  
048V1/ 049V1

248M1  
248V1/ 249V1

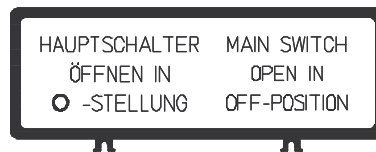
135M1/ 135M4

235M1/ 235M4

# Accessories



**FAZ2**  
Escutcheon frame plate black  
(without legend plate)



**FAZ2 - 8041**

**Product line  
P200**

**Additional top  
escutcheon plates**

to put on escutcheons  
and padlock devices  
(also in connection  
with enclosures)

**FAZ2 - . . . .**

## Additional top escutcheon plates

with additional inscription to be clipped on the escutcheon and padlock devices

- Escutcheon frame plate black, legend plate silver, without inscription (can be engraved)
- Escutcheon frame plate black, legend plate silver, inscription FA 8...\*
- Escutcheon frame plate black, legend plate silver, special engraving
- Escutcheon frame plate black, legend plate yellow, without inscription (can be engraved)
- Escutcheon frame plate black, legend plate yellow, inscription FA 8...\*
- Escutcheon frame plate black, legend plate yellow, special engraving
- Escutcheon frame plate black (without legend plate)

- FAZ2 - 8000**
- FAZ2 - 8 . . .**
- FAZ2 - (special no.)**
- FBZ2 - 8000**
- FBZ2 - 8 . . .**
- FBZ2 - (special no.)**
- FAZ2**

## Legend plates

- Legend plate silver without inscription (can be engraved)
- Legend plate silver, inscription FA 8...\*
- Legend plate silver, special engraving
- Legend plate yellow without inscription (can be engraved)
- Legend plate yellow, inscription FA 8...\*
- Legend plate yellow, special engraving

- FAS2 - 8000**
- FAS2 - 8 . . .**
- FAS2 - (special no.)**
- FBS2 - 8000**
- FBS2 - 8 . . .**
- FBS2 - (special no.)**

\* inscription FA 8... see next page

HAUPTSCHALTER MAIN SWITCH  
 ÖFFNEN IN OPEN IN  
 O-STELLUNG OFF-POSITION

Example: Legend plate silver **FAS2 - 8041**  
 for top escutcheon plate FAZ2-8041

**Product line  
 P200**

**Legend plates**  
 for additional top  
 escutcheon plates

**FAS2 - 8 ...**  
**FBS2 - 8 ...**

### Legend plates for additional top escutcheon plates

Legend plate silver, without inscription (can be engraved)  
 Legend plate silver, inscription FA 8...  
 Legend plate silver, special engraving

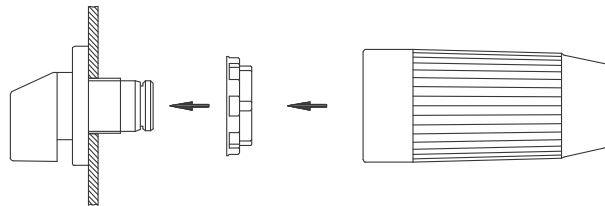
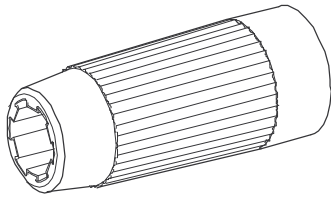
Legend plate yellow without inscription (can be engraved)  
 Legend plate yellow, inscription FA 8...  
 Legend plate yellow, special engraving

**FAS2 - 8000**  
**FAS2 - 8 ...**  
**FAS2 - (special no.)**

**FBS2 - 8000**  
**FBS2 - 8 ...**  
**FBS2 - (special no.)**

### Legend plates, inscription FA 8...

	HAUPTSCHALTER FA 8001	MAIN SWITCH FA 8002	NETZSCHALTER FA 8003	WAHLSCHALTER FA 8004	SELECTOR FA 8005
BETRIEBSART FA 8006	ISOLATOR FA 8007	GLEISWAHL FA 8008	STEUERUNG FA 8009	FEIN FA 8010	GROB FA 8011
PUMPE FA 8012	NOT-AUS FA 8013	SYNCHRONIZING FA 8014	WATTMETER FA 8015	AMMETER FA 8016	VOLTMETER AMMETER FA 8017
VOLTMETER FA 8018	MOTOR CONTROL FA 8019	HEIZUNG FA 8021	KEUZESCHAKELAAR FA 8023	SCHWEISSEN FA 8024	GLÄTTUNG FA 8025
EMERGENCY OFF FA 8026	TURVAKYTKIN FA 8027	HAUPTSCHALTER NUR IN STELLUNG O ÖFFNEN FA 8028	MAIN SWITCH OPEN ONLY IN POSITION "OFF" FA 8029	INTERRUTTORE GENERALE ARRIRE SOLO MANIPOLA SU ZERO FA 8030	INTERRUPTEUR PRINCIPAL OUIR EN POSITION O SEULEMENT FA 8031
VOLTIMETRO FA 8032	AMPERIMETRO FA 8033	VATIMETRO FA 8034	CONTROL FA 8035	BOMBA FA 8036	INTERRUPTOR FA 8037
CALEFACCION FA 8038	HOOFDSCHAKELAAR ALLEEN IN O - STAND OPENEN FA 8039	INTERRUPTOR PRINCIPAL ABRIR SOLO EN POSICION O FA 8040	HAUPTSCHALTER MAIN SWITCH ÖFFNEN IN OPEN IN O-STELLUNG OFF-POSITION FA 8041	DANGER ISOLATE MAIN SUPPLY BEFORE REMOVING COVER FA 8042	HUVUDBRYTARE FA 8044
HLAVNÍ VYPÍNAČ FA 8045	HLAVNÍ VYPÍNAČ OTEVŘIT-POUZE V POLOZE O FA 8046	ГЛАВНЫЙ ВЫКЛЮЧАТЕЛЬ ОПЕРЫВАТЬ ТОЛЬКО В НУЛОВОЙ ПОЗИЦИИ FA 8047			



**Product lines**  
**M200 / T200**

**Assembly tool**

for switches with  
**Single hole mounting**  
ø 22,5 mm and ø 30,5 mm

**218098**

## Assembly tool

Suitable for a **fast assembly of the single hole mounting** together with escutcheon / padlock device resp. door clutch / door interlock on mounting forms:

203V1  
204M1, 204V4  
205M1, 205M4  
206M1, 206M4

206N1, 206N4  
206V1, 206V4  
208M1  
209M1

213V1  
214M1, 214V1  
215V1, 215V4  
215M1, 215M4

216M1, 216M4  
216N1, 216N4  
216V1, 216V4  
218M1

219M1  
226V1, 226V4



## Faster deliveries through SMD

In order to ensure even greater flexibility for worldwide supply availability within 24h, Sälzer Electric has introduced the SMD (Sälzer Modular Design) system.

SMD modules are individually prefabricated and tested all-in-one modules which SMD Service holds in stock in sufficient quantities. From basic switch modules, mounting form modules and operator modules, SMD Service can assemble a complete switch requested by the customer and pack it ready for delivery in just a few actions.

**– back –**