

Product lines
H200-A/-D

Base mounting switches

Defeatable door interlock with maintenance handle
Metal shaft extension

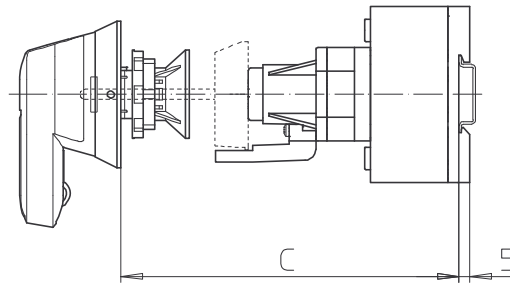
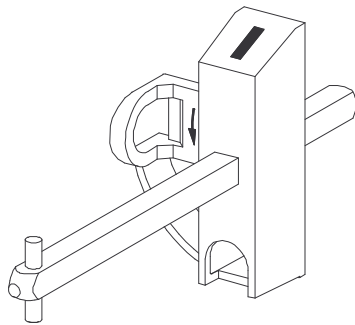
Single hole mounting
ø 22,5 mm front

AVF5 - . . .

Metal shaft extension for mounting forms with defeatable door interlock and single hole mounting ø 22,5 mm front, Additional lockable maintenance handle

Dimension C (internal depth, outside of door to top of DIN rail)

H200-A	H200-D	Order code number
132 ... 137 mm	140 ... 145 mm	AVF5-088
137 ... 152 mm	145 ... 160 mm	AVF5-103
152 ... 167 mm	160 ... 175 mm	AVF5-118
167 ... 182 mm	175 ... 190 mm	AVF5-133
182 ... 197 mm	190 ... 205 mm	AVF5-148
197 ... 212 mm	205 ... 220 mm	AVF5-163
212 ... 227 mm	220 ... 235 mm	AVF5-178
227 ... 242 mm	235 ... 250 mm	AVF5-193
242 ... 257 mm	250 ... 265 mm	AVF5-208
257 ... 272 mm	265 ... 280 mm	AVF5-223
272 ... 287 mm	280 ... 295 mm	AVF5-238
287 ... 302 mm	295 ... 310 mm	AVF5-253
302 ... 317 mm	310 ... 325 mm	AVF5-268
317 ... 332 mm	325 ... 340 mm	AVF5-283
332 ... 347 mm	340 ... 355 mm	AVF5-298
347 ... 362 mm	355 ... 370 mm	AVF5-313
362 ... 377 mm	370 ... 385 mm	AVF5-328
377 ... 392 mm	385 ... 400 mm	AVF5-343
392 ... 407 mm	400 ... 415 mm	AVF5-358
407 ... 422 mm	415 ... 430 mm	AVF5-373
422 ... 437 mm	430 ... 445 mm	AVF5-388
437 ... 452 mm	445 ... 460 mm	AVF5-403
452 ... 467 mm	460 ... 475 mm	AVF5-418
467 ... 482 mm	475 ... 490 mm	AVF5-433
482 ... 497 mm	490 ... 505 mm	AVF5-448
497 ... 512 mm	505 ... 520 mm	AVF5-463
512 ... 527 mm	520 ... 535 mm	AVF5-478
527 ... 542 mm	535 ... 550 mm	AVF5-493
542 ... 557 mm	550 ... 565 mm	AVF5-508
557 ... 572 mm	565 ... 580 mm	AVF5-523
572 ... 587 mm	580 ... 595 mm	AVF5-538
587 ... 602 mm	595 ... 610 mm	AVF5-553
602 ... 617 mm	610 ... 625 mm	AVF5-568



**Product lines
H400-A/ -D**

Metal shaft extension

for mounting forms with
**Base mounting switch
Defeatable
door interlock with
maintenance handle**

Single hole mounting
ø 22,5 mm front

AVF5 - . . .

**Metal shaft extension for mounting form with defeatable door interlock,
single hole mounting ø 22,5 mm front
Additional lockable maintenance handle**

Dimension C (internal depth, outside of door to top of DIN rail)

H400-A	H400-D	Order code number
143 . . . 148 mm	156 . . . 161 mm	AVF5-088
148 . . . 163 mm	161 . . . 176 mm	AVF5-103
163 . . . 178 mm	176 . . . 191 mm	AVF5-118
178 . . . 193 mm	191 . . . 206 mm	AVF5-133
193 . . . 208 mm	206 . . . 221 mm	AVF5-148
208 . . . 223 mm	221 . . . 236 mm	AVF5-163
223 . . . 238 mm	236 . . . 251 mm	AVF5-178
238 . . . 253 mm	251 . . . 266 mm	AVF5-193
253 . . . 268 mm	266 . . . 281 mm	AVF5-208
268 . . . 283 mm	281 . . . 296 mm	AVF5-223
283 . . . 298 mm	296 . . . 311 mm	AVF5-238
298 . . . 313 mm	311 . . . 326 mm	AVF5-253
313 . . . 328 mm	326 . . . 341 mm	AVF5-268
328 . . . 343 mm	341 . . . 356 mm	AVF5-283
343 . . . 358 mm	356 . . . 371 mm	AVF5-298
358 . . . 373 mm	371 . . . 386 mm	AVF5-313
373 . . . 388 mm	386 . . . 401 mm	AVF5-328
388 . . . 403 mm	401 . . . 416 mm	AVF5-343
403 . . . 418 mm	416 . . . 431 mm	AVF5-358
418 . . . 433 mm	431 . . . 446 mm	AVF5-373
433 . . . 448 mm	446 . . . 461 mm	AVF5-388
448 . . . 463 mm	461 . . . 476 mm	AVF5-403
463 . . . 478 mm	476 . . . 491 mm	AVF5-418
478 . . . 493 mm	491 . . . 506 mm	AVF5-433
493 . . . 508 mm	506 . . . 521 mm	AVF5-448
508 . . . 523 mm	521 . . . 536 mm	AVF5-463
523 . . . 538 mm	536 . . . 551 mm	AVF5-478
538 . . . 553 mm	551 . . . 566 mm	AVF5-493
553 . . . 568 mm	566 . . . 581 mm	AVF5-508
568 . . . 583 mm	581 . . . 596 mm	AVF5-523
583 . . . 598 mm	596 . . . 611 mm	AVF5-538
598 . . . 613 mm	611 . . . 626 mm	AVF5-553
613 . . . 628 mm	626 . . . 641 mm	AVF5-568

Product line H400

Metal shafts AVF5-. are suitable for mounting forms:

385D1 / 385D4