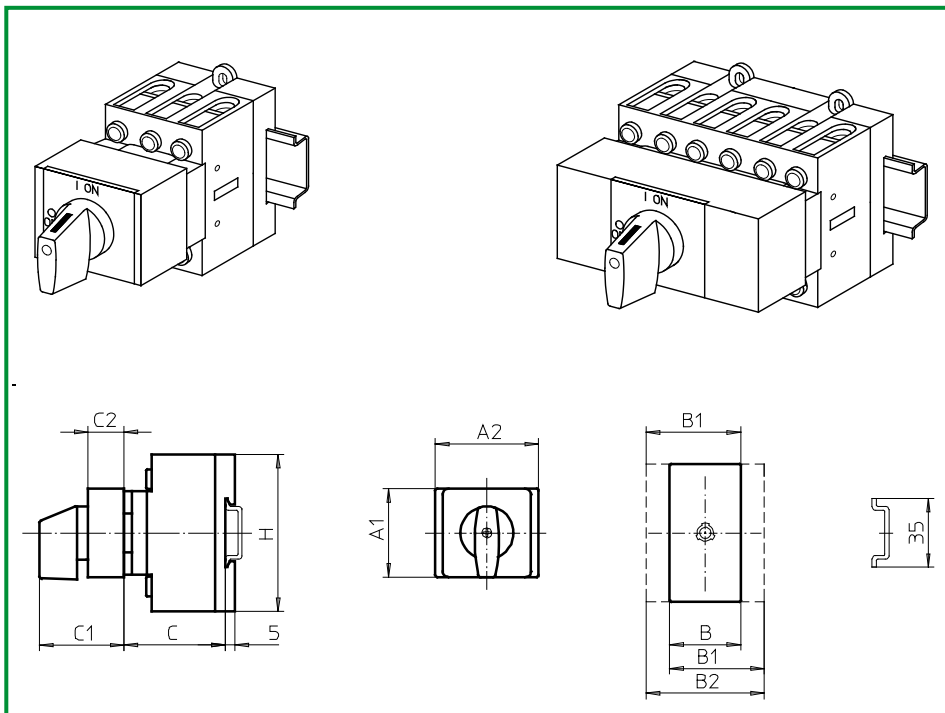


Base Mounting Switches

sälzer



Product lines
H200-A/-B/-D/-E

Base mounting switch

Base/front mounting

DIN rail
with cover plate
45 mm aperture

026M1

Complete switch	Poles	Product lines	Rated data (IEC 60947)			Order code number
			Operational current I _e	Operational power at 380–440V		
			AC-21A A	AC-23A kW	AC-3 kW	
ON-OFF Switches Switching angle 90°	3 ... 8	H200-A/-D	20	5,5	3,7	H216 - 41 ... - 026M1
			25	7,5	5,5	H220 - 41 ... - 026M1
			32	11	7,5	H226 - 41 ... - 026M1
			40	15	11	H233 - 41 ... - 026M1
	3 ... 4	H200-B	63	22	18,5	H263 - 41 ... - 026M1
Changeover with OFF Switching angle 90°	3 ... 4	H200-E	20	5,5	3,7	H216 - 71 ... - 026M1
			25	7,5	5,5	H220 - 71 ... - 026M1
			32	11	7,5	H226 - 71 ... - 026M1
			40	15	11	H233 - 71 ... - 026M1

SMD modules for basic switch A02		
Mounting form/operator module grey, M-handle black, mounting form 026M1	H200-A H200-B H200-D/-E	BFA2 - 026M1 BFB2 - 026M1 BFD2 - 026M1
Legend plate grey, mounting form/operator module 026M1	H200-A/-B/-D/-E	FAV2 - 9... (FA number)

Dimensions (mm)									
Product lines	A1	A2	B	B1	B2	C	C1	C2	H
H200-A	45	48	36	48	60	38	45	18,5	70
H200-B	45	52,5	50	69	88	38	45	18,5	72
H200-D	45	76	72	84	96	40	51,5	25,5	70
H200-E	45	76	72	84	96	40	51,5	25,5	70