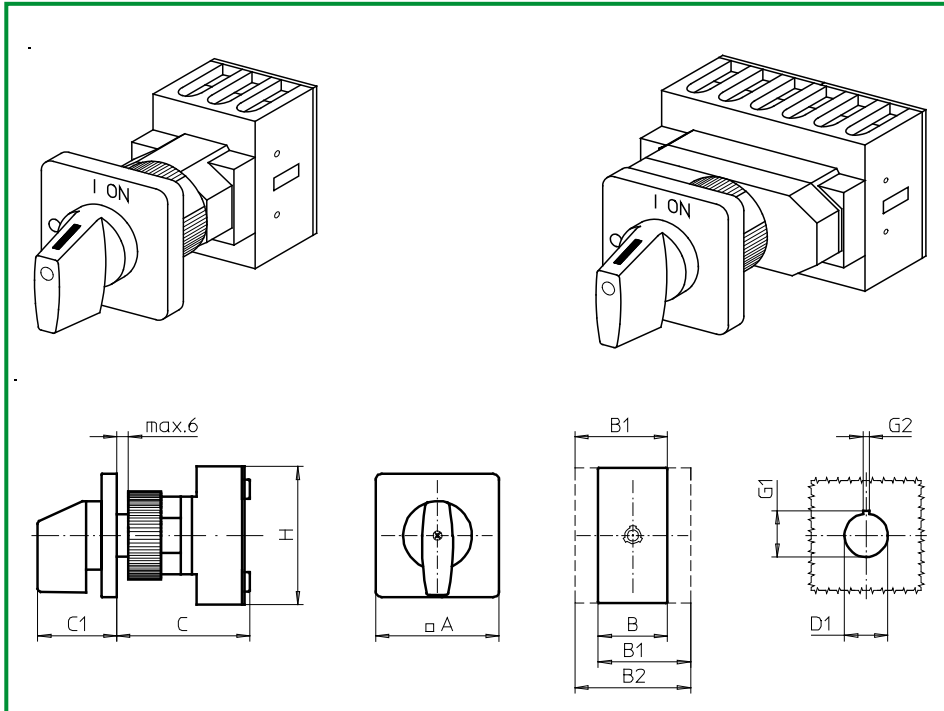


Front Mounting Switches

sälzer



Product lines
H200-A/-B/-C/-D/-E

Front mounting switch
Operator module of next size

Single hole mounting
ø 30,5 mm

204M1 (IP66)

Complete switch	Poles	Product lines	Rated data (IEC 60947)			Order code number
			Operational current I _e	Operational power at 380–440V		
			AC-21A A	AC-23A kW	AC-3 kW	
ON-OFF Switches Switching angle 90°	3 ... 4	H200-C	20	5,5	3,7	H212 - 41 ... - 204M1
	3 ... 8	H200-A/-D	20	5,5	3,7	H216 - 41 ... - 204M1
			25	7,5	5,5	H220 - 41 ... - 204M1
			32	11	7,5	H226 - 41 ... - 204M1
			40	15	11	H233 - 41 ... - 204M1
3 ... 4	H200-B	63	22	18,5	H263 - 41 ... - 204M1	
Changeover with OFF Switching angle 90°	3 ... 4	H200-E	20	5,5	3,7	H216 - 71 ... - 204M1
			25	7,5	5,5	H220 - 71 ... - 204M1
			32	11	7,5	H226 - 71 ... - 204M1
			40	22	18,5	H233 - 71 ... - 204M1

SMD modules for basic switch A01

Mounting form module for 204M1

H200-A
H200-B/-C/-D/-E

BFA2 - 219
BFB2 - 219

M-operator module 64 × 64 mm, mounting form 204M1
Escutcheon black, handle black

H200-A/-B/-C/-D/-E

2KM1 - 30

Legend plate silver, operator module 204M1

FAS4 - 9... (FA number)

Dimensions (mm)

Product lines	A	B	B1	B2	C	C1	D1	G1	G2	H
H200-A	64	36	48	60	75	39	30,5	33	4,8	70
H200-B	64	50	69	88	75	39	30,5	33	4,8	72
H200-C	64	45	-	-	70	39	30,5	33	4,8	45
H200-D	64	72	84	96	83	39	30,5	33	4,8	70
H200-E	64	72	84	96	83	39	30,5	33	4,8	70