



Mounting Form Table

Section

| | |
|--------------------------------|----------|
| Front Mounting Switches | A |
| Base Mounting Switches | B |
| Enclosed Switches | C |
| Accessories | D |

Sälzer Electric GmbH
Matthiasstraße 16
57482 Wenden (Germany)
www.saelzer.com

Headquarters:
Tel. +49 (0) 27 62 / 6 14-110
Fax +49 (0) 27 62 / 6 14-100
sales@salzer.de

Originator: Sälzer Electric GmbH · Product Data Management (PDM) · 09306 Rochlitz (Germany)
Copyright reserved by Sälzer Electric GmbH. This document replaces all previous issues.
Valid until a new version is published. Changes and revisions reserved.

Mounting Form Table



| Mtg. form | Pages | Mtg. form | Pages | Mtg. form | Pages | Mtg. form | Pages |
|-----------|-------------|-----------|-------------|-----------|-------------|-----------|-------------|
| 002M1 | B1-1 (74) | 037N1 | B2-21 (107) | 132M4 | A1-30 (34) | 215V1 | A3-6 (56) |
| 003M1 | A1-1 (5) | 037N4 | B2-21 (107) | 132N1 | A1-31 (35) | 215V4 | A3-6 (56) |
| 003V1 | A1-2 (6) | 037V1 | B2-22 (108) | 132N4 | A1-31 (35) | 216M1 | A3-4 (54) |
| 004V1 | A1-2 (6) | 037V4 | B2-22 (108) | 133M1 | A5-2 (64) | 216M4 | A3-4 (54) |
| 005M1 | A1-3 (7) | 038M1 | B3-20 (129) | 133M4 | A5-2 (64) | 216N1 | A3-5 (55) |
| 005V1 | A1-4 (8) | 038M4 | B3-20 (129) | 133N1 | A5-3 (65) | 216N4 | A3-5 (55) |
| 012M1 | B1-2 (75) | 038N1 | B3-21 (130) | 133N4 | A5-3 (65) | 216V1 | A3-8 (58) |
| 013M1 | A1-5 (9) | 038N4 | B3-21 (130) | 133V1 | A5-4 (66) | 216V4 | A3-8 (58) |
| 013V1 | A1-6 (10) | 038V1 | B3-22 (131) | 133V4 | A5-4 (66) | 218M1 | A2-10 (48) |
| 014V1 | A1-6 (10) | 038V4 | B3-22 (131) | 135M1 | B3-16 (125) | 219M1 | A2-1 (39) |
| 015M1 | A1-7 (11) | 040V1 | B2-4 (90) | 135M4 | B3-16 (125) | 219V1 | A2-2 (40) |
| 015V1 | A1-8 (12) | 041M1 | B2-3 (89) | 139V1 | A1-4 (8) | 220V1 | A2-2 (40) |
| 021M1 | B1-5 (78) | 041V1 | B2-4 (90) | 140M1 | A5-5 (67) | 226V1 | A2-9 (47) |
| 022M1 | B1-6 (79) | 042M1 | B3-3 (112) | 141M1 | A5-6 (68) | 226V4 | A2-9 (47) |
| 024B3 | A4-3 (62) | 042V1 | B2-4 (113) | 142M1 | A5-7 (69) | 231M1 | B2-15 (101) |
| 025N3 | A4-1 (60) | 043V1 | B2-4 (113) | 143M1 | A5-8 (70) | 231M4 | B2-15 (101) |
| 026M1 | B1-9 (82) | 046V1 | B2-8 (94) | 144M1 | A5-9 (71) | 232M1 | B2-9 (95) |
| 026N2 | B1-10 (83) | 047M1 | B2-7 (93) | 145M1 | A5-10 (72) | 232M4 | B2-9 (95) |
| 026V1 | B1-11 (84) | 047V1 | B2-8 (94) | 150M1 | A1-32 (36) | 232N1 | B2-10 (96) |
| 026V4 | B1-11 (84) | 048M1 | B3-7 (116) | 151M1 | A1-33 (37) | 232N4 | B2-10 (96) |
| 027V1 | B1-12 (85) | 048V1 | B3-8 (117) | 152M1 | A1-34 (38) | 232V1 | B2-11 (97) |
| 028V1 | B1-12 (85) | 049V1 | B3-8 (117) | 155M1 | B1-3 (76) | 232V4 | B2-11 (97) |
| 031M1 | B2-16 (102) | 060M1 | A1-9 (13) | 156M1 | B1-4 (77) | 234M1 | B3-9 (118) |
| 031M4 | B2-16 (102) | 062M1 | A1-10 (14) | 157M1 | B1-7 (80) | 234M4 | B3-9 (118) |
| 032M1 | B2-12 (98) | 064M1 | A1-11 (15) | 158M1 | B1-8 (81) | 234N1 | B3-10 (119) |
| 032M4 | B2-12 (98) | 064V1 | A1-12 (16) | 176M1 | C1-2 (135) | 234N4 | B3-10 (119) |
| 032N1 | B2-13 (99) | 065M1 | A1-13 (17) | 176V1 | C1-4 (137) | 234V1 | B3-11 (120) |
| 032N4 | B2-13 (99) | 065V1 | A1-14 (18) | 177M1 | C1-6 (139) | 234V4 | B3-11 (120) |
| 032V1 | B2-14 (100) | 076M1 | C1-1 (134) | 177M4 | C1-6 (139) | 235M1 | B3-15 (124) |
| 032V4 | B2-14 (100) | 076V1 | C1-3 (136) | 177N1 | C1-8 (141) | 235M4 | B3-15 (124) |
| 033M1 | A1-15 (19) | 077M1 | C1-5 (138) | 177N4 | C1-8 (141) | 237M1 | B2-17 (103) |
| 033M4 | A1-15 (19) | 077M4 | C1-5 (138) | 177V1 | C1-10 (143) | 237M4 | B2-17 (103) |
| 033N1 | A1-16 (20) | 077N1 | C1-7 (140) | 177V4 | C1-10 (143) | 237N1 | B2-18 (104) |
| 033N4 | A1-16 (20) | 077N4 | C1-7 (140) | 178V1 | C1-4 (137) | 237N4 | B2-18 (104) |
| 033V1 | A1-17 (21) | 077V1 | C1-9 (142) | 203V1 | A3-3 (53) | 237V1 | B2-19 (105) |
| 033V4 | A1-17 (21) | 077V4 | C1-9 (142) | 204M1 | A3-2 (52) | 237V4 | B2-19 (105) |
| 034M1 | B3-12 (121) | 078V1 | C1-3 (136) | 204V1 | A3-3 (53) | 238M1 | B3-17 (126) |
| 034M4 | B3-12 (121) | 103M1 | A1-22 (26) | 205M1 | A2-8 (46) | 238M4 | B3-17 (126) |
| 034N1 | B3-13 (122) | 107M1 | C1-11 (144) | 205M4 | A2-8 (46) | 238N1 | B3-18 (127) |
| 034N4 | B3-13 (122) | 113M1 | A1-23 (27) | 206M1 | A2-5 (43) | 238N4 | B3-18 (127) |
| 034V1 | B3-14 (123) | 117M1 | C1-12 (145) | 206M4 | A2-5 (43) | 238V1 | B3-19 (128) |
| 034V4 | B3-14 (123) | 117M4 | C1-12 (145) | 206N1 | A2-6 (44) | 238V4 | B3-19 (128) |
| 035M1 | A1-18 (22) | 120M1 | A1-24 (28) | 206N4 | A2-6 (44) | 240V1 | B2-2 (88) |
| 035M4 | A1-18 (22) | 121M1 | A1-25 (29) | 206V1 | A2-7 (45) | 241M1 | B2-1 (87) |
| 036M1 | A1-19 (23) | 122M1 | A1-26 (30) | 206V4 | A2-7 (45) | 241V1 | B2-2 (88) |
| 036M4 | A1-19 (23) | 130M1 | A1-27 (31) | 208M1 | A3-9 (59) | 242M1 | B3-1 (110) |
| 036N1 | A1-20 (24) | 130M4 | A1-27 (31) | 209M1 | A3-1 (51) | 242V1 | B3-2 (111) |
| 036N4 | A1-20 (24) | 130N1 | A1-28 (32) | 213V1 | A2-4 (42) | 243V1 | B3-2 (111) |
| 036V1 | A1-21 (25) | 130N4 | A1-28 (32) | 214M1 | A2-3 (41) | 246V1 | B2-6 (92) |
| 036V4 | A1-21 (25) | 131M1 | A1-29 (33) | 214V1 | A2-4 (42) | 247M1 | B2-5 (91) |
| 037M1 | B2-20 (106) | 131M4 | A1-29 (33) | 215M1 | A3-7 (57) | 247V1 | B2-6 (92) |
| 037M4 | B2-20 (106) | 132M1 | A1-30 (34) | 215M4 | A3-7 (57) | 248M1 | B3-5 (114) |

further information
page MFT-2

Mounting Form Table



| Mtg. form | Pages | Mtg. form | Pages | Mtg. form | Pages | Mtg. form | Pages |
|-----------|-------------|-----------|-------------|---------------|-------------|---------------|-------|
| 248V1 | B3-6 (115) | V001. | B1-13 (86) | AVD2 | D1-1 (149) | FAS2-....D2-2 | (152) |
| 249V1 | B3-6 (115) | AVC2- | B3-23 (132) | AVE2- | B3-23 (132) | FBS2-....D2-2 | (152) |
| 503M1 | A5-1 (63) | AVC2- | D1-2 (150) | AVE2- | D1-2 (150) | 218098 D3-1 | (153) |
| E001. | C1-14 (147) | AVD2 | B2-23 (109) | FAZ2-....D2-1 | (151) | | |
| K001. | C1-13 (146) | | | | | | |
| R001. | A2-12 (50) | | | | | | |
| S001. | A2-11 (49) | | | | | | |
| U001. | A4-2 (61) | | | | | | |

Red colour:
New mounting forms



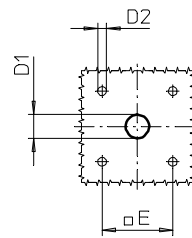
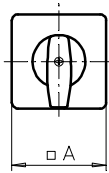
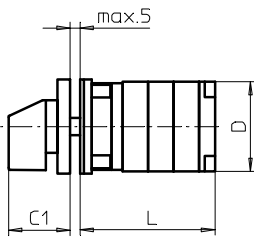
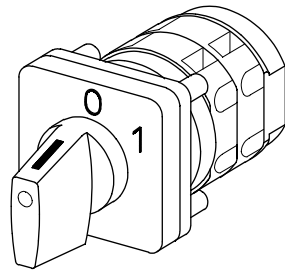
Section A

| | Page | |
|--|-------------|--------------|
| | from | to |
| Four hole mounting | A1-1 | A1-34 |
| Single hole mounting \varnothing 22,5 mm | A2-1 | A2-12 |
| Single hole mounting \varnothing 30,5 mm | A3-1 | A3-9 |
| Wall mounting | A4-1 | A4-3 |
| Two hole mounting | A5-1 | A5-10 |

Originator: Sälzer Electric GmbH · Product Data Management (PDM) · 09306 Rochlitz (Germany)
Copyright reserved by Sälzer Electric GmbH. This document replaces all previous issues.
Valid until a new version is published. Changes and revisions reserved.

Front Mounting Switches

sälzer



**Product lines
M200 / T200**

Front mounting switch

**Four hole mounting
36 x 36 mm**

003M1 (IP66)

| Complete switch | Poles | Product line | Rated data (IEC 60947) | | | Order code number |
|--|----------|--------------|------------------------------------|--------------------------------|------------|------------------------------|
| | | | Operational current I _e | Operational power at 380–440 V | | |
| | | | AC-21A A | AC-23A kW | AC-3 kW | |
| Rotary Cam Switches Switching angle 30°/45°/60°/90° | 1 ... 24 | M200 | 20 | 7,5 | 5,5 | M220 - 61 ... - 003M1 |
| | | | 25 | 11 | 7,5 | M225 - 61 ... - 003M1 |
| | 1 ... 24 | T200 | 32 | 15 | 11 | T225 - 61 ... - 003M1 |

SMD modules for basic switch

Mounting form module for 003M1

M200 / T200

BFB2 - 003

M-operator module 48 x 48 mm, mounting form 003M1

2AM1

Escutcheon black, handle black

Legend plate silver, operator module 003M1

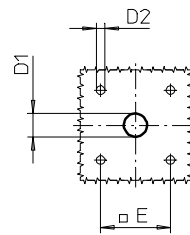
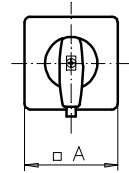
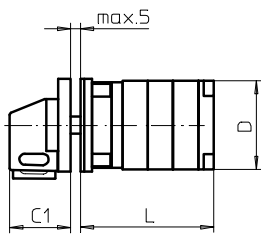
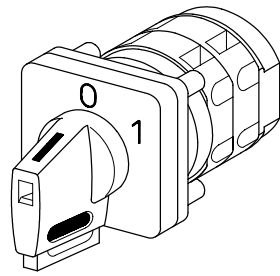
FAS2 - (FA number)

Dimensions (mm)

| Product lines | A | C1 | D | D1 | D2 | E | L with ... stages (max. 12) | | | | | | | each add. stage |
|---------------|----|----|----|----|-----|----|-----------------------------|----|----|----|-----|-----|-----|--------------------|
| | | | | | | | 1 | 2 | 3 | 4 | 5 | 6 | 7 | |
| M220 | 48 | 32 | 46 | 12 | 4,5 | 36 | 40 | 50 | 60 | 70 | 80 | 90 | 100 | 10 |
| M221 | 48 | 32 | 46 | 12 | 4,5 | 36 | 43 | 56 | 69 | 82 | 95 | 108 | 121 | 13 |
| M225 | 48 | 32 | 48 | 12 | 4,5 | 36 | 43 | 56 | 69 | 82 | 95 | 108 | 121 | 13 |
| T225 | 48 | 32 | 50 | 12 | 4,5 | 36 | 45 | 60 | 75 | 90 | 105 | 120 | 135 | 15 |

Front Mounting Switches

sälzer



Product lines
M200 / T200

Front mounting switch

Four hole mounting
36 x 36 mm

003V1 (IP66)

004V1 (IP66)

| Complete switch | Poles | Product line | Rated data (IEC 60947) | | | Order code number |
|--|----------|--------------|------------------------------------|--------------------------------|------------|------------------------------|
| | | | Operational current I _e | Operational power at 380–440 V | | |
| | | | AC-21A A | AC-23A kW | AC-3 kW | |
| Rotary Cam Switches Switching angle 30°/45°/60°/90° Padlockable 12h | 1 ... 24 | M200 | 20 | 7,5 | 5,5 | M220 - 61 ... - 003V1 |
| | | | 25 | 11 | 7,5 | M225 - 61 ... - 003V1 |
| | 1 ... 24 | T200 | 32 | 15 | 11 | T225 - 61 ... - 003V1 |
| Rotary Cam Switches Switching angle 90° 3 positions padlockable (09h/12h/03h) | 1 ... 24 | M200 | 20 | 7,5 | 5,5 | M220 - 61 ... - 004V1 |
| | 1 ... 24 | T200 | 25 | 11 | 7,5 | M225 - 61 ... - 004V1 |
| | | | 32 | 15 | 11 | T225 - 61 ... - 004V1 |

SMD modules for basic switch

Mounting form module for 003V1/ 004V1

M200 / T200

BFB2 - 003

V-operator module 48 x 48 mm, mounting form 003V1
Escutcheon black, handle black

2AV1 - 12

V-operator module 48 x 48 mm, mounting form 004V1
Escutcheon black, handle black

2AV1 - 99

Legend plate silver, operator module 003V1/ 004V1

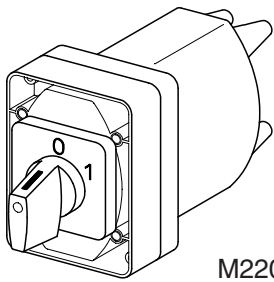
FAS2 - (FA number)

Dimensions (mm)

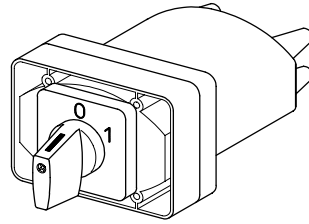
| Product lines | A | C1 | D | D1 | D2 | E | L with ... stages (max. 12) | | | | | | | each add. stage |
|---------------|----|----|----|----|-----|----|-----------------------------|----|----|----|-----|-----|-----|--------------------|
| | | | | | | | 1 | 2 | 3 | 4 | 5 | 6 | 7 | |
| M220 | 48 | 32 | 46 | 12 | 4,5 | 36 | 40 | 50 | 60 | 70 | 80 | 90 | 100 | 10 |
| M221 | 48 | 32 | 46 | 12 | 4,5 | 36 | 43 | 56 | 69 | 82 | 95 | 108 | 121 | 13 |
| M225 | 48 | 32 | 48 | 12 | 4,5 | 36 | 43 | 56 | 69 | 82 | 95 | 108 | 121 | 13 |
| T225 | 48 | 32 | 50 | 12 | 4,5 | 36 | 45 | 60 | 75 | 90 | 105 | 120 | 135 | 15 |

Front Mounting Switches

sälzer

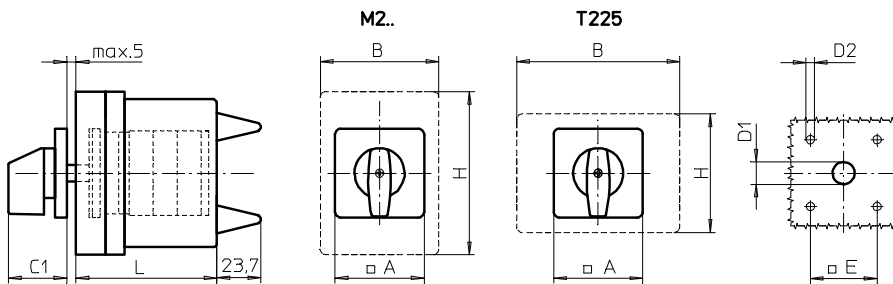


M220/ M225



T225

Schalter/Switch



Product lines
M200 / T200

Front mounting switch
With dust protection cover

Four hole mounting
36 x 36 mm

005M1 (IP66)

| Complete switch | Poles | Product line | Rated data (IEC 60947) | | | Order code number |
|--|---------|--------------|------------------------------------|--------------------------------|------------|------------------------------|
| | | | Operational current I _e | Operational power at 380–440 V | | |
| | | | AC-21A A | AC-23A kW | AC-3 kW | |
| Rotary Cam Switches Switching angle 30°/45°/60°/90° | 1 ... 8 | M200 | 20 | 7,5 | 5,5 | M220 - 61 ... - 005M1 |
| | 1 ... 6 | | 25 | 11 | 7,5 | M225 - 61 ... - 005M1 |
| | 1 ... 4 | T200 | 32 | 15 | 11 | T225 - 61 ... - 005M1 |

SMD modules for basic switch

Mounting form module for 005M1

M200
T200

BFA2 - 005
BFB2 - 005

M-operator module 48 x 48 mm, mounting form 005M1
Escutcheon black, handle black

M200 / T200

2AM1

Legend plate silver, operator module 005M1

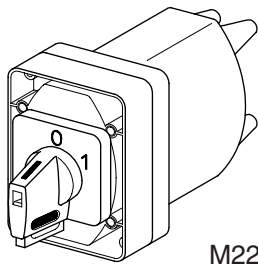
FAS2 - (FA number)

Dimensions (mm)

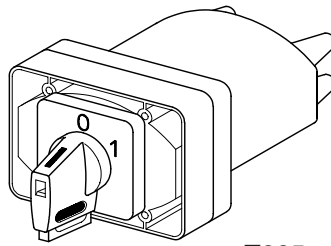
| Product lines | A | B | C1 | D1 | D2 | E | H | L with ... stages | | | |
|---------------|----|----|----|----|-----|----|----|-------------------|----|----|----|
| | | | | | | | | 1 | 2 | 3 | 4 |
| M220 | 48 | 64 | 32 | 12 | 4,5 | 36 | 88 | 80 | 80 | 80 | 80 |
| M221 | 48 | 64 | 32 | 12 | 4,5 | 36 | 88 | 80 | 80 | 80 | - |
| M225 | 48 | 64 | 32 | 12 | 4,5 | 36 | 88 | 80 | 80 | 80 | - |
| T225 | 48 | 88 | 32 | 12 | 4,5 | 36 | 64 | 80 | 80 | - | - |

Front Mounting Switches

sälzer

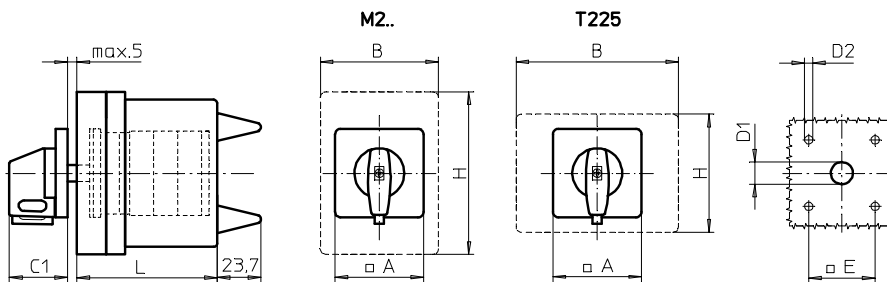


M220/ M225



T225

Schalter/Switch



Product lines
M200 / T200

Front mounting switch
With dust protection cover

Four hole mounting
36 x 36 mm

005V1 (IP66)

139V1 (IP66)

| Complete switch | Poles | Product line | Rated data (IEC 60947) | | | Order code number |
|--|---------|--------------|------------------------------------|--------------------------------|------------|------------------------------|
| | | | Operational current I _e | Operational power at 380–440 V | | |
| | | | AC-21A A | AC-23A kW | AC-3 kW | |
| Rotary Cam Switches Switching angle 30°/45°/60°/90° Padlockable 12h | 1 ... 8 | M200 | 20 | 7,5 | 5,5 | M220 - 61 ... - 005V1 |
| | 1 ... 6 | | 25 | 11 | 7,5 | M225 - 61 ... - 005V1 |
| | 1 ... 4 | T200 | 32 | 15 | 11 | T225 - 61 ... - 005V1 |
| Rotary Cam Switches Switching angle 90° 3 positions padlockable (09h/12h/03h) | 1 ... 8 | M200 | 20 | 7,5 | 5,5 | M220 - 61 ... - 139V1 |
| | 1 ... 6 | | 25 | 11 | 7,5 | M225 - 61 ... - 139V1 |
| | 1 ... 4 | T200 | 32 | 15 | 11 | T225 - 61 ... - 139V1 |

SMD modules for basic switch

Mounting form module for 005V1/139V1

M200
T200

BFA2 - 005
BFB2 - 005

V-operator module 48 x 48 mm, mounting form 005V1
Escutcheon black, handle black

M200 / T200

2AV1 - 12

V-operator module 48 x 48 mm, mounting form 139V1
Escutcheon black, handle black

2AV1 - 99

Legend plate silver, operator module 005V1/139V1

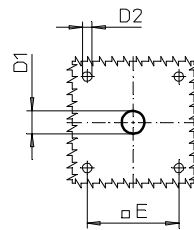
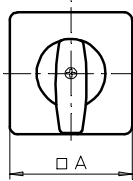
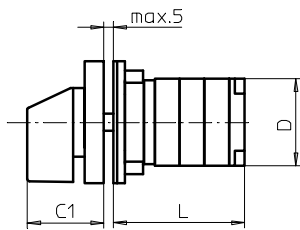
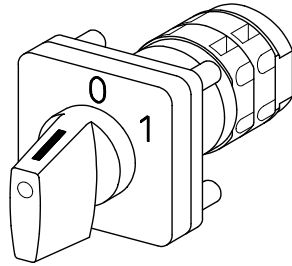
FAS2 - (FA number)

Dimensions (mm)

| Product lines | A | B | C1 | D1 | D2 | E | H | L with ... stages | | | |
|---------------|----|----|----|----|-----|----|----|-------------------|----|----|----|
| | | | | | | | | 1 | 2 | 3 | 4 |
| M220 | 48 | 64 | 32 | 12 | 4,5 | 36 | 88 | 80 | 80 | 80 | 80 |
| M221 | 48 | 64 | 32 | 12 | 4,5 | 36 | 88 | 80 | 80 | 80 | - |
| M225 | 48 | 64 | 32 | 12 | 4,5 | 36 | 88 | 80 | 80 | 80 | - |
| T225 | 48 | 88 | 32 | 12 | 4,5 | 36 | 64 | 80 | 80 | - | - |

Front Mounting Switches

sälzer



**Product lines
M200 / T200**

Front mounting switch
Operator module of next size

Four hole mounting
48 x 48 mm

013M1 (IP66)

| Complete switch | Poles | Product line | Rated data (IEC 60947) | | | Order code number |
|--|----------|--------------|------------------------------------|--------------------------------|------------|------------------------------|
| | | | Operational current I _e | Operational power at 380–440 V | | |
| | | | AC-21A A | AC-23A kW | AC-3 kW | |
| Rotary Cam Switches Switching angle 30°/45°/60°/90° | 1 ... 24 | M200 | 20 | 7,5 | 5,5 | M220 - 61 ... - 013M1 |
| | | | 25 | 11 | 7,5 | M225 - 61 ... - 013M1 |
| | 1 ... 24 | T200 | 32 | 15 | 11 | T225 - 61 ... - 013M1 |

SMD modules for basic switch

Mounting form module for 013M1

M200 / T200

BFB2 - 013

M-operator module 64 x 64 mm, mounting form 013M1

4AM1

Escutcheon black, handle black

Legend plate silver, operator module 013M1

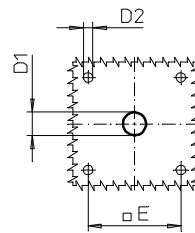
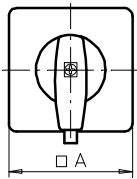
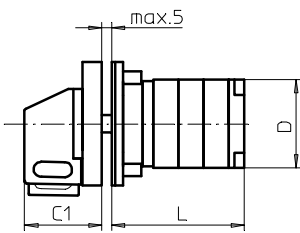
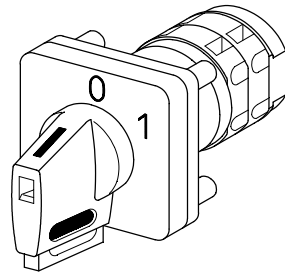
FAS4 - (FA number)

Dimensions (mm)

| Product lines | A | C1 | D | D1 | D2 | E | L with ... stages (max. 12) | | | | | | | each add. stage |
|---------------|----|----|----|----|----|----|-----------------------------|----|----|----|-----|-----|-----|--------------------|
| | | | | | | | 1 | 2 | 3 | 4 | 5 | 6 | 7 | |
| M220 | 64 | 39 | 46 | 15 | 5 | 48 | 40 | 50 | 60 | 70 | 80 | 90 | 100 | 10 |
| M221 | 64 | 39 | 46 | 15 | 5 | 48 | 43 | 56 | 69 | 82 | 95 | 108 | 121 | 13 |
| M225 | 64 | 39 | 48 | 15 | 5 | 48 | 43 | 56 | 69 | 82 | 95 | 108 | 121 | 13 |
| T225 | 64 | 39 | 50 | 15 | 5 | 48 | 45 | 60 | 75 | 90 | 105 | 120 | 135 | 15 |

Front Mounting Switches

sälzer



Product lines
M200 / T200

Front mounting switch
Operator module of next size

Four hole mounting
48 x 48 mm

013V1 (IP66)
014V1 (IP66)

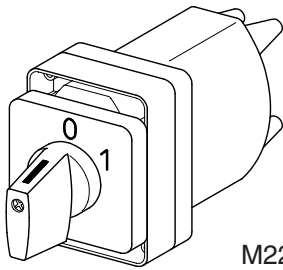
| Complete switch | Poles | Product line | Rated data (IEC 60947) | | | Order code number |
|--|----------|--------------|------------------------------------|--------------------------------|------------|------------------------------|
| | | | Operational current I _e | Operational power at 380–440 V | | |
| | | | AC-21A A | AC-23A kW | AC-3 kW | |
| Rotary Cam Switches Switching angle 30°/45°/60°/90° Padlockable 12h | 1 ... 24 | M200 | 20 | 7,5 | 5,5 | M220 - 61 ... - 013V1 |
| | | | 25 | 11 | 7,5 | M225 - 61 ... - 013V1 |
| | 1 ... 24 | T200 | 32 | 15 | 11 | T225 - 61 ... - 013V1 |
| Rotary Cam Switches Switching angle 90° 3 positions padlockable (09h/12h/03h) | 1 ... 24 | M200 | 20 | 7,5 | 5,5 | M220 - 61 ... - 014V1 |
| | | | 25 | 11 | 7,5 | M225 - 61 ... - 014V1 |
| | 1 ... 24 | T200 | 32 | 15 | 11 | T225 - 61 ... - 014V1 |

| SMD modules for basic switch | | | |
|---|--|-------------|--------------------------------|
| Mounting form module for 013V1/014V1 | | M200 / T200 | BFB2 - 013 |
| V-operator module 64 x 64 mm, mounting form 013V1 Escutcheon black, handle black | | | 4AV1 - 12 |
| V-operator module 64 x 64 mm, mounting form 014V1 Escutcheon black, handle black | | | 4AV1 - 99 |
| Legend plate silver, operator module 013V1/ 014V1 | | | FAS4 - (FA number) |

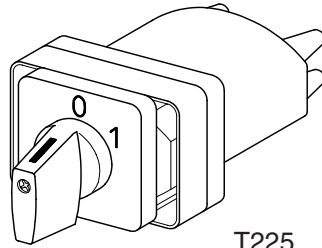
| Dimensions (mm) | | | | | | | | | | | | | | |
|-----------------|----|----|----|----|----|----|-----------------------------|----|----|----|-----|-----|-----|--------------------|
| Product lines | A | C1 | D | D1 | D2 | E | L with ... stages (max. 12) | | | | | | | each add. stage |
| | | | | | | | 1 | 2 | 3 | 4 | 5 | 6 | 7 | |
| M220 | 64 | 39 | 46 | 15 | 5 | 48 | 40 | 50 | 60 | 70 | 80 | 90 | 100 | 10 |
| M221 | 64 | 39 | 46 | 15 | 5 | 48 | 43 | 56 | 69 | 82 | 95 | 108 | 121 | 13 |
| M225 | 64 | 39 | 48 | 15 | 5 | 48 | 43 | 56 | 69 | 82 | 95 | 108 | 121 | 13 |
| T225 | 64 | 39 | 50 | 15 | 5 | 48 | 45 | 60 | 75 | 90 | 105 | 120 | 135 | 15 |

Front Mounting Switches

sälzer

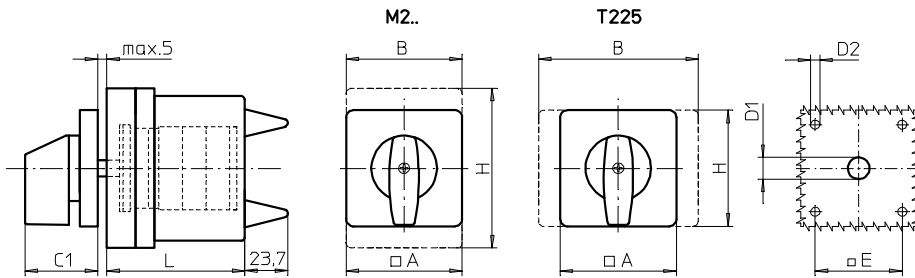


M220/ M225



T225

Schalter/Switch



Product lines
M200 / T200

Front mounting switch
With dust protection cover
Operator module of next size

Four hole mounting
48 x 48 mm

015M1 (IP66)

| Complete switch | Poles | Product line | Rated data (IEC 60947) | | | Order code number |
|--|---------|--------------|------------------------------------|--------------------------------|------------|------------------------------|
| | | | Operational current I _e | Operational power at 380–440 V | | |
| | | | AC-21A A | AC-23A kW | AC-3 kW | |
| Rotary Cam Switches Switching angle 30°/45°/60°/90° | 1 ... 8 | M200 | 20 | 7,5 | 5,5 | M220 - 61 ... - 015M1 |
| | 1 ... 6 | | 25 | 11 | 7,5 | M225 - 61 ... - 015M1 |
| | 1 ... 4 | T200 | 32 | 15 | 11 | T225 - 61 ... - 015M1 |

SMD modules for basic switch

Mounting form module for 015M1

M200
T200

BFA2 - 015
BFB2 - 015

M-operator module 64 x 64 mm, mounting form 015M1
Escutcheon black, handle black

M200 / T200

4AM1

Legend plate silver, operator module 015M1

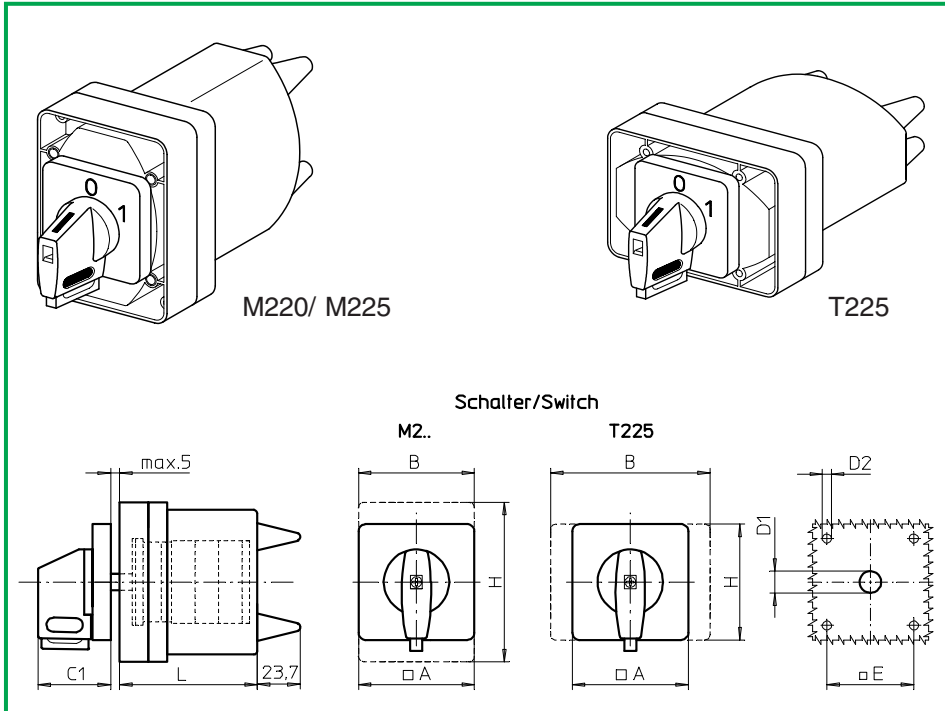
FAS4 - (FA number)

Dimensions (mm)

| Product lines | A | B | C1 | D1 | D2 | E | H | L with ... stages | | | |
|---------------|----|----|----|----|----|----|----|-------------------|----|----|----|
| | | | | | | | | 1 | 2 | 3 | 4 |
| M220 | 64 | 64 | 39 | 15 | 5 | 48 | 88 | 80 | 80 | 80 | 80 |
| M221 | 64 | 64 | 39 | 15 | 5 | 48 | 88 | 80 | 80 | 80 | - |
| M225 | 64 | 64 | 39 | 15 | 5 | 48 | 88 | 80 | 80 | 80 | - |
| T225 | 64 | 88 | 39 | 15 | 5 | 48 | 64 | 80 | 80 | - | - |

Front Mounting Switches

sälzer



Product lines
M200 / T200

Front mounting switch
With dust protection cover
Operator module of next size

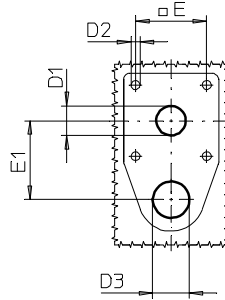
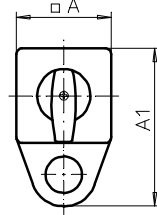
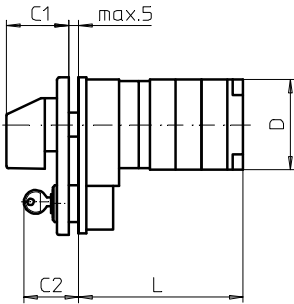
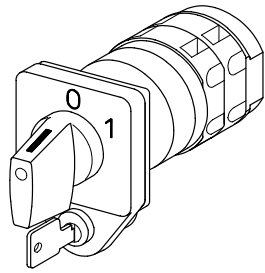
Four hole mounting
48 x 48 mm

015V1 (IP66)

| Complete switch | Poles | Product line | Rated data (IEC 60947) | | | Order code number | | | | | |
|---|----------|--------------|------------------------------------|--------------------------------|------------|--|----------|--------------------------|----------|----------|----------|
| | | | Operational current I _e | Operational power at 380–440 V | | | | | | | |
| | | | AC-21A A | AC-23A kW | AC-3 kW | | | | | | |
| Rotary Cam Switches | 1 ... 8 | M200 | 20 | 7,5 | 5,5 | M220 - 61 ... - 015V1 | | | | | |
| Switching angle 30°/45°/60°/90° | 1 ... 6 | | 25 | 11 | 7,5 | M225 - 61 ... - 015V1 | | | | | |
| Padlockable 12h | 1 ... 4 | T200 | 32 | 15 | 11 | T225 - 61 ... - 015V1 | | | | | |
| SMD modules for basic switch | | | | | | | | | | | |
| Mounting form module for 015V1 | | | M200 T200 | | | BFA2 - 015 BFB2 - 015 | | | | | |
| V-operator module 64 x 64 mm, mounting form 015V1 Escutcheon black, handle black | | | M200 / T200 | | | 4AV1 - 12 | | | | | |
| Legend plate silver, operator module 015V1 | | | | | | FAS4 - (FA number) | | | | | |
| Dimensions (mm) | | | | | | | | | | | |
| Product lines | A | B | C1 | D1 | D2 | E | H | L with ... stages | | | |
| | | | | | | | | 1 | 2 | 3 | 4 |
| M220 | 64 | 64 | 39 | 15 | 5 | 48 | 88 | 80 | 80 | 80 | 80 |
| M221 | 64 | 64 | 39 | 15 | 5 | 48 | 88 | 80 | 80 | 80 | - |
| M225 | 64 | 64 | 39 | 15 | 5 | 48 | 88 | 80 | 80 | 80 | - |
| T225 | 64 | 88 | 39 | 15 | 5 | 48 | 64 | 80 | 80 | - | - |

Front Mounting Switches

sälzer



Product lines
M200 / T200

Front mounting switch
With cylinder lock device
Key number CL1

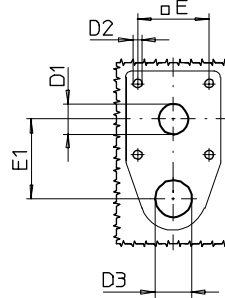
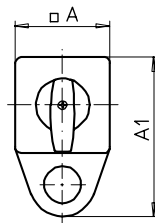
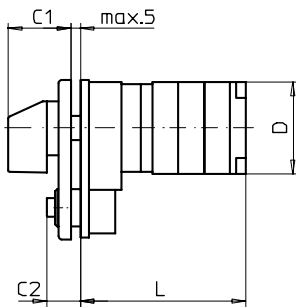
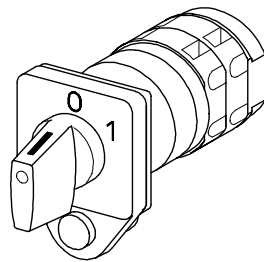
Four hole mounting
36 x 36 mm

060M1 (IP40)

| Complete switch | Poles | Product line | Rated data (IEC 60947) | | | Order code number | | | | | | | | | |
|---|----------|--------------|------------------------------------|--------------------------------|------------|--------------------------------|-----|----|----|----|-----------------------------|----|----|-----|-----------------|
| | | | Operational current I _e | Operational power at 380–440 V | | | | | | | | | | | |
| | | | AC-21A A | AC-23A kW | AC-3 kW | | | | | | | | | | |
| Rotary Cam Switches | 1 ... 24 | M200 | 20 | 7,5 | 5,5 | M220 - 61 ... - 060M1 | | | | | | | | | |
| Switching angle 30°/45°/60°/90° | | | 25 | 11 | 7,5 | M225 - 61 ... - 060M1 | | | | | | | | | |
| Position "OFF" or start position locked | 1 ... 24 | T200 | 32 | 15 | 11 | T225 - 61 ... - 060M1 | | | | | | | | | |
| Other locking arrangements available; please specify upon request | | | | | | | | | | | | | | | |
| 2 keys, keylockable in selected position | | | | | | | | | | | | | | | |
| SMD modules for basic switch | | | | | | | | | | | | | | | |
| Mounting form module for 060M1 | | | M200 / T200 | | | BFA2 - 060 | | | | | | | | | |
| M-operator module, mounting form 060M1 | | | | | | 2OM1 | | | | | | | | | |
| Escutcheon black, handle black | | | | | | | | | | | | | | | |
| Legend plate silver, operator module 060M1 | | | | | | FAS2 - (FA number) | | | | | | | | | |
| Dimensions (mm) | | | | | | | | | | | | | | | |
| Product lines | A | A1 | C1 | C2 | D | D1 | D2 | D3 | E | E1 | L with ... stages (max. 12) | | | | each add. stage |
| | | | | | | | | | | | 1 | 2 | 3 | 4 | |
| M220 | 48 | 80 | 32 | 40 | 46 | 15 | 4,5 | 19 | 36 | 40 | 54 | 64 | 74 | 84 | 10 |
| M221 | 48 | 80 | 32 | 40 | 46 | 15 | 4,5 | 19 | 36 | 40 | 57 | 70 | 83 | 96 | 13 |
| M225 | 48 | 80 | 32 | 40 | 48 | 15 | 4,5 | 19 | 36 | 40 | 57 | 70 | 83 | 96 | 13 |
| T225 | 48 | 80 | 32 | 40 | 50 | 15 | 4,5 | 19 | 36 | 40 | 59 | 74 | 89 | 104 | 15 |

Front Mounting Switches

sälzer



Product lines
M200 / T200

Front mounting switch
Push-button operated
Safety interlock

Four hole mounting
36 x 36 mm

062M1 (IP40)

| Complete switch | Poles | Product line | Rated data (IEC 60947) | | | Order code number |
|---|----------|--------------|------------------------------------|--------------------------------|------------|------------------------------|
| | | | Operational current I _e | Operational power at 380–440 V | | |
| | | | AC-21A A | AC-23A kW | AC-3 kW | |
| Rotary Cam Switches | 1 ... 24 | M200 | 20 | 7,5 | 5,5 | M220 - 61 ... - 062M1 |
| Switching angle 30°/45°/60°/90° | | | 25 | 11 | 7,5 | M225 - 61 ... - 062M1 |
| Position "OFF" or start position locked | 1 ... 24 | T200 | 32 | 15 | 11 | T225 - 61 ... - 062M1 |

Other locking arrangements available;
please specify upon request

dual action push button
safety interlock

SMD modules for basic switch

Mounting form module for 062M1

M200 / T200

BFA2 - 062

M-operator module, mounting form 062M1

20M1

Escutcheon black, handle black

Legend plate silver, operator module 062M1

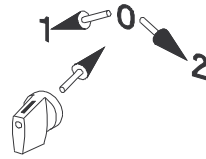
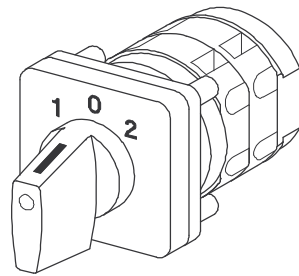
FAS2 - (FA number)

Dimensions (mm)

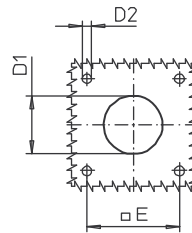
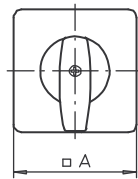
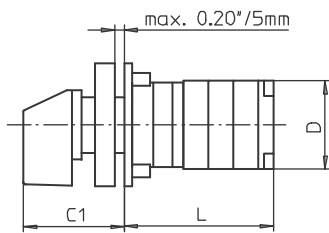
| Product lines | A | A1 | C1 | C2 | D | D1 | D2 | D3 | E | E1 | L with ... stages (max. 12) | | | | each add. stage |
|---------------|----|----|----|----|----|----|-----|----|----|----|-----------------------------|----|----|-----|-----------------|
| | | | | | | | | | | | 1 | 2 | 3 | 4 | |
| M220 | 48 | 80 | 32 | 40 | 46 | 15 | 4,5 | 19 | 36 | 40 | 54 | 64 | 74 | 84 | 10 |
| M221 | 48 | 80 | 32 | 40 | 46 | 15 | 4,5 | 19 | 36 | 40 | 57 | 70 | 83 | 96 | 13 |
| M225 | 48 | 80 | 32 | 40 | 48 | 15 | 4,5 | 19 | 36 | 40 | 57 | 70 | 83 | 96 | 13 |
| T225 | 48 | 80 | 32 | 40 | 50 | 15 | 4,5 | 19 | 36 | 40 | 59 | 74 | 89 | 104 | 15 |

Front Mounting Switches

sälzer



Push handle in starting position at 12h, then turn to position 1 or position 2 where required.



Product lines
M200/T200

Front mounting switch

Four hole mounting
36 x 36 mm

Push-To-Turn
Adaptor \varnothing 22,5 mm

064M1 (IP40)

| Complete switch | Poles | Product lines | Rated data (IEC 60947) | | | Order code number |
|---|----------|---------------|---------------------------|--------------------------------|------------|------------------------------|
| | | | Operational current I_e | Operational power at 380–440 V | | |
| | | | AC-21A A | AC-23A kW | AC-3 kW | |
| Rotary Cam Switches | 1 ... 16 | M200 | 20 | 7,5 | 5,5 | M220 - 61 ... - 064M1 |
| | | | 25 | 11 | 7,5 | M225 - 61 ... - 064M1 |
| 45° spring return to both directions, spring return to OFF | 1 ... 16 | T200 | 32 | 15 | 11 | T225 - 61 ... - 064M1 |
| Other switching angle or function for spring return and stay-put on request | | | | | | |

SMD modules for basic switch

| | | |
|---|------------|--------------------------------|
| Mounting form module for 064M1 | M200/ T200 | BFA2 - 064 |
| M-operator module 48 x 48 mm, mounting form 064M1 | | 2PM1 - 12 |
| Escutcheon black, M-handle black | | |
| Legend plate silver, operator module 064M1 | | FAV2 - (FA number) |

Dimensions (mm)

| Typ | A | C1 | D | D1* | D2 | E | L with ... stages (max. 8) | | | | | | | |
|------|----|----|----|------|-----|----|----------------------------|----|----|----|-----|-----|-----|-----|
| | | | | | | | 1 | 2 | 3 | 4 | 5 | 6 | 7 | 8 |
| M220 | 48 | 45 | 46 | 22,5 | 4,5 | 36 | 49 | 59 | 69 | 79 | 89 | 99 | 109 | 119 |
| M221 | 48 | 45 | 46 | 22,5 | 4,5 | 36 | 52 | 65 | 78 | 91 | 104 | 117 | 130 | 143 |
| M225 | 48 | 45 | 48 | 22,5 | 4,5 | 36 | 52 | 65 | 78 | 91 | 104 | 117 | 130 | 143 |
| T225 | 48 | 45 | 50 | 22,5 | 4,5 | 36 | 54 | 69 | 84 | 99 | 114 | 129 | 144 | 159 |

*) hole tool for single hole mounting \varnothing 22,5 mm can be used.

Front Mounting Switches

sälzer

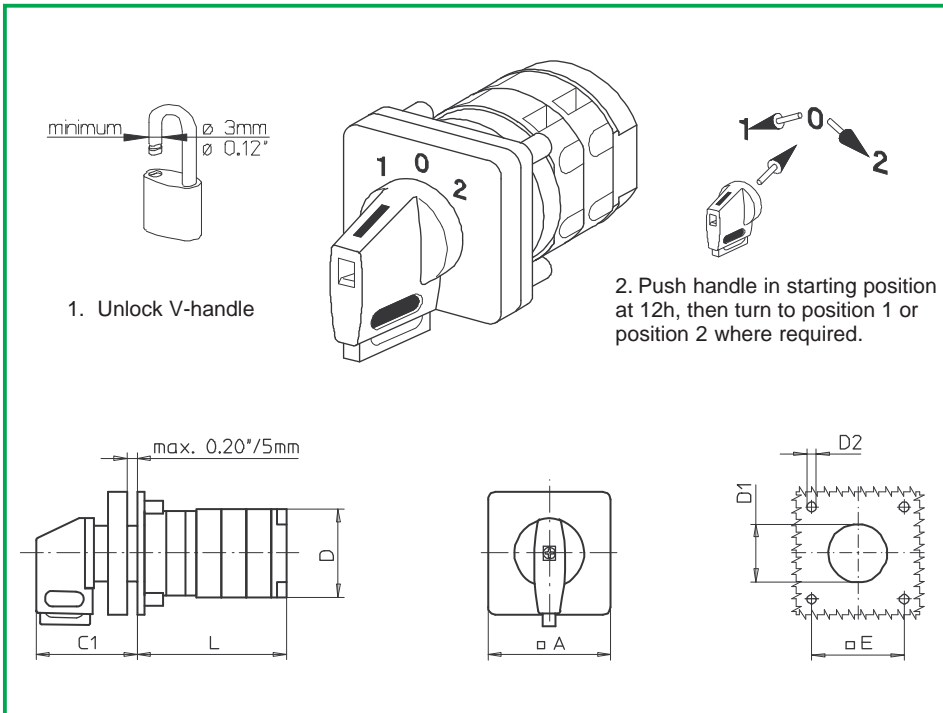
**Product lines
M200/T200**

Front mounting switch

**Four hole mounting
36 x 36 mm**

**Push-To-Turn
Adaptor \varnothing 22,5 mm**

064V1 (IP40)



| Complete switch | Poles | Product lines | Rated data (IEC 60947) | | | Order code number |
|--|----------|---------------|---------------------------|--------------------------------|------------|------------------------------|
| | | | Operational current I_e | Operational power at 380–440 V | | |
| | | | AC-21A A | AC-23A kW | AC-3 kW | |
| Rotary Cam Switches OFF position padlockable 12h 45° spring return to both directions, spring return to OFF Other switching angle or function for spring return and stay-put on request | 1 ... 16 | M200 | 20 | 7,5 | 5,5 | M220 - 61 ... - 064V1 |
| | | | 25 | 11 | 7,5 | M225 - 61 ... - 064V1 |
| | 1 ... 16 | T200 | 32 | 15 | 11 | T225 - 61 ... - 064V1 |

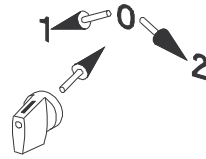
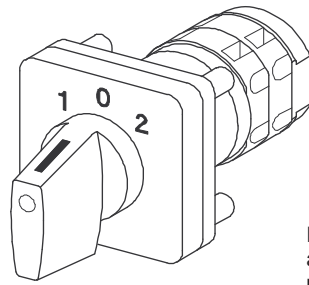
| SMD modules for basic switch | | | |
|---|--|------------|--------------------------------|
| Mounting form module for 064V1 | | M200/ T200 | BFA2 - 064 |
| V-operator module 48 x 48 mm, mounting form 064V1 | | | 2PV1 - 12 |
| Escutcheon black, V-handle black | | | |
| Legend plate silver, operator module 064V1 | | | FAV2 - (FA number) |

| Dimensions (mm) | | | | | | | | | | | | | | |
|-----------------|----|----|----|------|-----|----|----------------------------|----|----|----|-----|-----|-----|-----|
| Typ | A | C1 | D | D1* | D2 | E | L with ... stages (max. 8) | | | | | | | |
| | | | | | | | 1 | 2 | 3 | 4 | 5 | 6 | 7 | 8 |
| M220 | 48 | 45 | 46 | 22,5 | 4,5 | 36 | 49 | 59 | 69 | 79 | 89 | 99 | 109 | 119 |
| M221 | 48 | 45 | 46 | 22,5 | 4,5 | 36 | 52 | 65 | 78 | 91 | 104 | 117 | 130 | 143 |
| M225 | 48 | 45 | 48 | 22,5 | 4,5 | 36 | 52 | 65 | 78 | 91 | 104 | 117 | 130 | 143 |
| T225 | 48 | 45 | 50 | 22,5 | 4,5 | 36 | 54 | 69 | 84 | 99 | 114 | 129 | 144 | 159 |

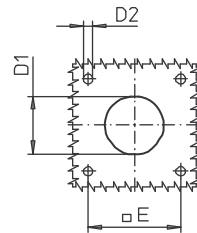
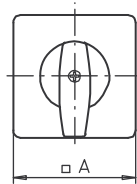
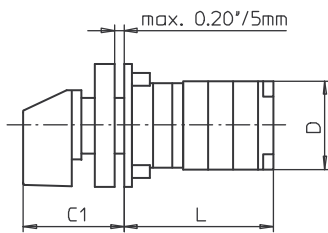
*) hole tool for single hole mounting \varnothing 22,5 mm can be used.

Front Mounting Switches

sälzer



Push handle in starting position at 12h, then turn to position 1 or position 2 where required.



Product lines
M200/T200

Front mounting switch
Operator module of next size

Four hole mounting
48 x 48 mm

Push-To-Turn
Adaptor \varnothing 30,5 mm

065M1 (IP40)

| Complete switch | Poles | Product lines | Rated data (IEC 60947) | | | Order code number |
|---|----------|---------------|---------------------------|--------------------------------|------------|------------------------------|
| | | | Operational current I_e | Operational power at 380–440 V | | |
| | | | AC-21A A | AC-23A kW | AC-3 kW | |
| Rotary Cam Switches | 1 ... 16 | M200 | 20 | 7,5 | 5,5 | M220 - 61 ... - 065M1 |
| | | | 25 | 11 | 7,5 | M225 - 61 ... - 065M1 |
| 45° spring return to both directions, spring return to OFF | 1 ... 16 | T200 | 32 | 15 | 11 | T225 - 61 ... - 065M1 |
| Other switching angle or function for spring return and stay-put on request | | | | | | |

SMD modules for basic switch

| | | |
|---|------------|--------------------------------|
| Mounting form module for 065M1 | M200/ T200 | BFA2 - 065 |
| M-operator module 64 x 64 mm, mounting form 065M1 | | 4PM1 - 12 |
| Escutcheon black, M-handle black | | |
| Legend plate silver, operator module 065M1 | | FAS4 - (FA number) |

Dimensions (mm)

| Typ | A | C1 | D | D1* | D2 | E | L with ... stages (max. 8) | | | | | | | |
|------|----|----|----|------|----|----|----------------------------|----|----|----|-----|-----|-----|-----|
| | | | | | | | 1 | 2 | 3 | 4 | 5 | 6 | 7 | 8 |
| M220 | 64 | 53 | 46 | 30,5 | 5 | 48 | 49 | 59 | 69 | 79 | 89 | 99 | 109 | 119 |
| M221 | 64 | 53 | 46 | 30,5 | 5 | 48 | 52 | 65 | 78 | 91 | 104 | 117 | 130 | 143 |
| M225 | 64 | 53 | 48 | 30,5 | 5 | 48 | 52 | 65 | 78 | 91 | 104 | 117 | 130 | 143 |
| T225 | 64 | 53 | 50 | 30,5 | 5 | 48 | 54 | 69 | 84 | 99 | 114 | 129 | 144 | 159 |

*) hole tool for single hole mounting \varnothing 30,5 mm can be used.

Front Mounting Switches

sälzer

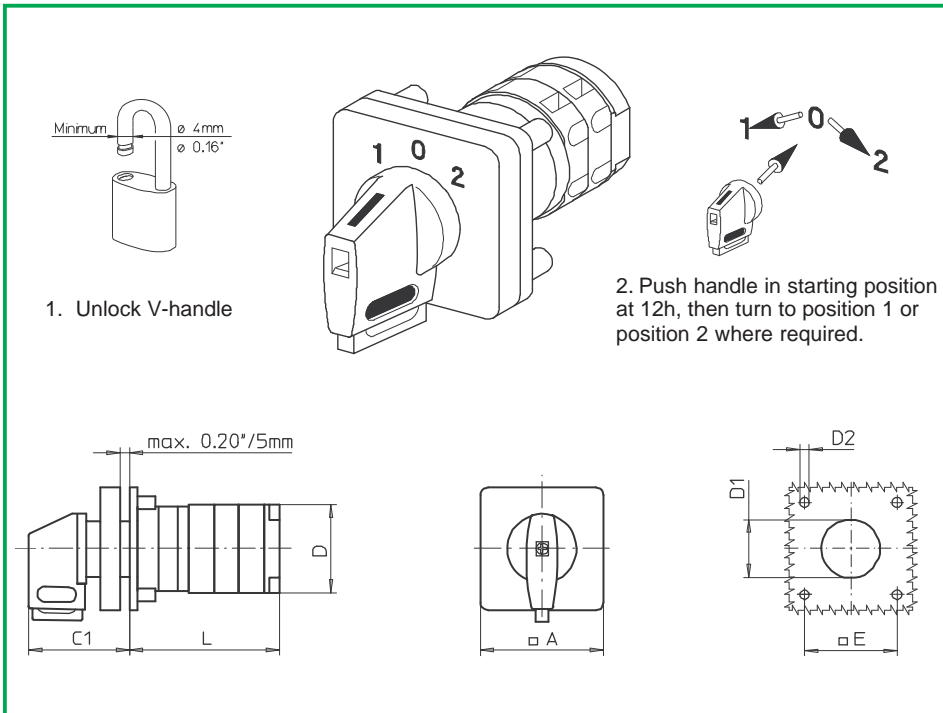
**Product lines
M200/ T200**

Front mounting switch
Operator module of next size

Four hole mounting
48 x 48 mm

Push-To-Turn
Adaptor \varnothing 30,5 mm

065V1 (IP40)



| Complete switch | Poles | Product lines | Rated data (IEC 60947) | | | Order code number |
|---|----------|---------------|---------------------------|--------------------------------|------------|------------------------------|
| | | | Operational current I_e | Operational power at 380–440 V | | |
| | | | AC-21A A | AC-23A kW | AC-3 kW | |
| Rotary Cam Switches | 1 ... 16 | M200 | 20 | 7,5 | 5,5 | M220 - 61 ... - 065V1 |
| OFF position padlockable 12h | | | 25 | 11 | 7,5 | M225 - 61 ... - 065V1 |
| 45° spring return to both directions, spring return to OFF | 1 ... 16 | T200 | 32 | 15 | 11 | T225 - 61 ... - 065V1 |
| Other switching angle or function for spring return and stay-put on request | | | | | | |

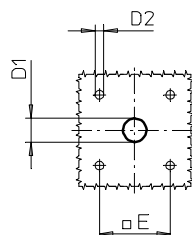
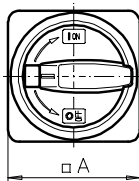
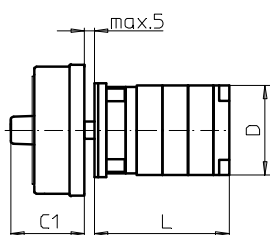
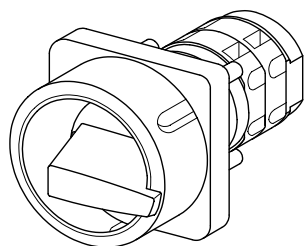
| SMD modules for basic switch | | |
|---|------------|--------------------------------|
| Mounting form module for 065V1 | M200/ T200 | BFA2 - 065 |
| V-operator module 64 x 64 mm, mounting form 065V1 | | 4PV1 - 12 |
| Escutcheon black, V-handle black | | |
| Legend plate silver, operator module 065V1 | | FAS4 - (FA number) |

| Dimensions (mm) | | | | | | | | | | | | | | |
|-----------------|----|----|----|------|----|----|----------------------------|----|----|----|-----|-----|-----|-----|
| Type | A | C1 | D | D1* | D2 | E | L with ... stages (max. 8) | | | | | | | |
| | | | | | | | 1 | 2 | 3 | 4 | 5 | 6 | 7 | 8 |
| M220 | 64 | 53 | 46 | 30,5 | 5 | 48 | 49 | 59 | 69 | 79 | 89 | 99 | 109 | 119 |
| M221 | 64 | 53 | 46 | 30,5 | 5 | 48 | 52 | 65 | 78 | 91 | 104 | 117 | 130 | 143 |
| M225 | 64 | 53 | 48 | 30,5 | 5 | 48 | 52 | 65 | 78 | 91 | 104 | 117 | 130 | 143 |
| T225 | 64 | 53 | 50 | 30,5 | 5 | 48 | 54 | 69 | 84 | 99 | 114 | 129 | 144 | 159 |

*) hole tool for single hole mounting \varnothing 30,5 mm can be used.

Front Mounting Switches

sälzer



Product lines
M200 / T200

Front mounting switch

Four hole mounting
36 x 36 mm

033M1 (IP66)

033M4 (IP66)

| Complete switch | Poles | Product line | Rated data (IEC 60947) | | | Order code number |
|------------------------------|----------|--------------|------------------------------------|--------------------------------|------------|------------------------------|
| | | | Operational current I _e | Operational power at 380–440 V | | |
| | | | AC-21A A | AC-23A kW | AC-3 kW | |
| Main Switches | 1 ... 24 | M200 | 20 | 7,5 | 5,5 | M220 - 61 ... - 033M1 |
| Switching angle 90° | | | 25 | 11 | 7,5 | M225 - 61 ... - 033M1 |
| OFF position padlockable 09h | 1 ... 24 | T200 | 32 | 15 | 11 | T225 - 61 ... - 033M1 |
| Main/Emergency-Off Switches | 1 ... 24 | M200 | 20 | 7,5 | 5,5 | M220 - 61 ... - 033M4 |
| Switching angle 90° | | | 25 | 11 | 7,5 | M225 - 61 ... - 033M4 |
| OFF position padlockable 09h | 1 ... 24 | T200 | 32 | 15 | 11 | T225 - 61 ... - 033M4 |

SMD modules for basic switch

Mounting form module for 033M.

M200 / T200

BFB2 - 033

M-padlock device 67 x 67 mm, mounting form 033M1
Escutcheon black, padlockable handle black

2CM1

M-padlock device 67 x 67 mm, mounting form 033M4
Escutcheon yellow, padlockable handle red

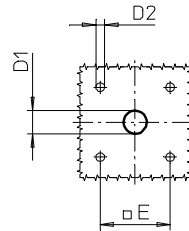
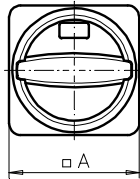
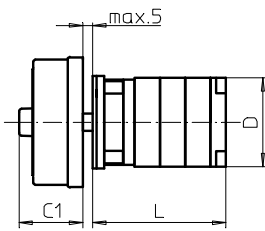
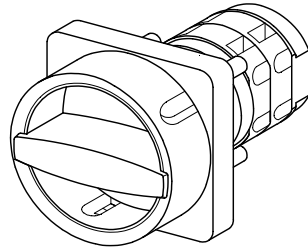
2CM4

Dimensions (mm)

| Product lines | A | C1 | D | D1 | D2 | E | L with ... stages (max. 12) | | | | | | | each add. stage |
|---------------|----|----|----|----|-----|----|-----------------------------|----|----|----|-----|-----|-----|--------------------|
| | | | | | | | 1 | 2 | 3 | 4 | 5 | 6 | 7 | |
| M220 | 67 | 38 | 46 | 15 | 4,5 | 36 | 40 | 50 | 60 | 70 | 80 | 90 | 100 | 10 |
| M221 | 67 | 38 | 46 | 15 | 4,5 | 36 | 43 | 56 | 69 | 82 | 95 | 108 | 121 | 13 |
| M225 | 67 | 38 | 48 | 15 | 4,5 | 36 | 43 | 56 | 69 | 82 | 95 | 108 | 121 | 13 |
| T225 | 67 | 38 | 50 | 15 | 4,5 | 36 | 45 | 60 | 75 | 90 | 105 | 120 | 135 | 15 |

Front Mounting Switches

sälzer



Product lines
M200 / T200

Front mounting switch

Four hole mounting
36 x 36 mm

033N1 (IP66)
033N4 (IP66)

| Complete switch | Poles | Product line | Rated data (IEC 60947) | | | Order code number |
|------------------------------|----------|--------------|------------------------------------|--------------------------------|------------|------------------------------|
| | | | Operational current I _e | Operational power at 380–440 V | | |
| | | | AC-21A A | AC-23A kW | AC-3 kW | |
| Main Switches | 1 ... 24 | M200 | 20 | 7,5 | 5,5 | M220 - 61 ... - 033N1 |
| Switching angle 90° | | | 25 | 11 | 7,5 | M225 - 61 ... - 033N1 |
| OFF position padlockable 09h | 1 ... 24 | T200 | 32 | 15 | 11 | T225 - 61 ... - 033N1 |
| Main/Emergency-Off Switches | 1 ... 24 | M200 | 20 | 7,5 | 5,5 | M220 - 61 ... - 033N4 |
| Switching angle 90° | | | 25 | 11 | 7,5 | M225 - 61 ... - 033N4 |
| OFF position padlockable 09h | 1 ... 24 | T200 | 32 | 15 | 11 | T225 - 61 ... - 033N4 |

SMD modules for basic switch

Mounting form module for 033N.

M200 / T200

BFB2 - 033

N-padlock device 67 x 67 mm, mounting form 033N1
Escutcheon black, padlockable handle black

2CN1

N-padlock device 67 x 67 mm, mounting form 033N4
Escutcheon yellow, padlockable handle red

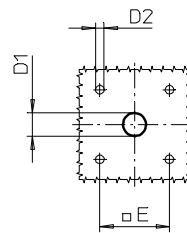
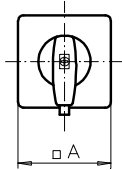
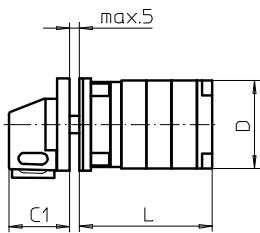
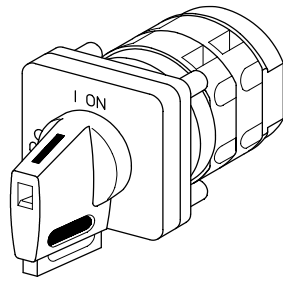
2CN4

Dimensions (mm)

| Product lines | A | C1 | D | D1 | D2 | E | L with ... stages (max. 12) | | | | | | | each add. stage |
|---------------|----|----|----|----|-----|----|-----------------------------|----|----|----|-----|-----|-----|-----------------|
| | | | | | | | 1 | 2 | 3 | 4 | 5 | 6 | 7 | |
| M220 | 67 | 33 | 46 | 15 | 4,5 | 36 | 40 | 50 | 60 | 70 | 80 | 90 | 100 | 10 |
| M221 | 67 | 33 | 46 | 15 | 4,5 | 36 | 43 | 56 | 69 | 82 | 95 | 108 | 121 | 13 |
| M225 | 67 | 33 | 48 | 15 | 4,5 | 36 | 43 | 56 | 69 | 82 | 95 | 108 | 121 | 13 |
| T225 | 67 | 33 | 50 | 15 | 4,5 | 36 | 45 | 60 | 75 | 90 | 105 | 120 | 135 | 15 |

Front Mounting Switches

sälzer



Product lines
M200 / T200

Front mounting switch

Four hole mounting
36 x 36 mm

033V1 (IP66)

033V4 (IP66)

| Complete switch | Poles | Product line | Rated data (IEC 60947) | | | Order code number |
|------------------------------|----------|--------------|------------------------------------|--------------------------------|------------|------------------------------|
| | | | Operational current I _e | Operational power at 380–440 V | | |
| | | | AC-21A A | AC-23A kW | AC-3 kW | |
| Main Switches | 1 ... 24 | M200 | 20 | 7,5 | 5,5 | M220 - 61 ... - 033V1 |
| Switching angle 90° | | | 25 | 11 | 7,5 | M225 - 61 ... - 033V1 |
| OFF position padlockable 09h | 1 ... 24 | T200 | 32 | 15 | 11 | T225 - 61 ... - 033V1 |
| Main/Emergency-Off Switches | 1 ... 24 | M200 | 20 | 7,5 | 5,5 | M220 - 61 ... - 033V4 |
| Switching angle 90° | | | 25 | 11 | 7,5 | M225 - 61 ... - 033V4 |
| OFF position padlockable 09h | 1 ... 24 | T200 | 32 | 15 | 11 | T225 - 61 ... - 033V4 |

SMD modules for basic switch

Mounting form module for 033V.

M200 / T200

BFB2 - 003

V-operator module 48 x 48 mm, mounting form 033V1
Escutcheon black, handle black

2AV1 - 09

Legend plate silver, operator module 033V1

FAS2 - 9078

V-operator module 48 x 48 mm, mounting form 033V4
Escutcheon black, handle red

2AV4 - 09

Legend plate yellow, operator module 033V4

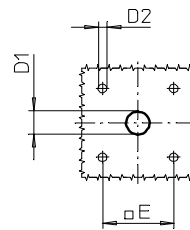
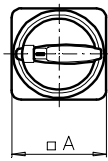
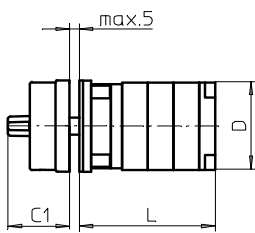
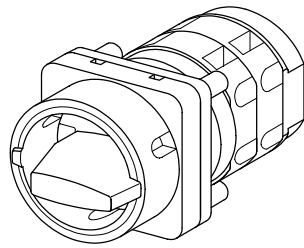
FBS2 - 9078

Dimensions (mm)

| Product lines | A | C1 | D | D1 | D2 | E | L with ... stages (max. 12) | | | | | | | each add. stage |
|---------------|----|----|----|----|-----|----|-----------------------------|----|----|----|-----|-----|-----|--------------------|
| | | | | | | | 1 | 2 | 3 | 4 | 5 | 6 | 7 | |
| M220 | 48 | 32 | 46 | 12 | 4,5 | 36 | 40 | 50 | 60 | 70 | 80 | 90 | 100 | 10 |
| M221 | 48 | 32 | 46 | 12 | 4,5 | 36 | 43 | 56 | 69 | 82 | 95 | 108 | 121 | 13 |
| M225 | 48 | 32 | 48 | 12 | 4,5 | 36 | 43 | 56 | 69 | 82 | 95 | 108 | 121 | 13 |
| T225 | 48 | 32 | 50 | 12 | 4,5 | 36 | 45 | 60 | 75 | 90 | 105 | 120 | 135 | 15 |

Front Mounting Switches

sälzer



Product lines
M200 / T200

Front mounting switch

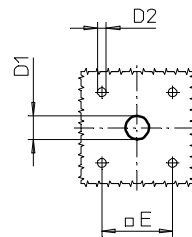
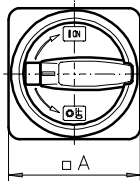
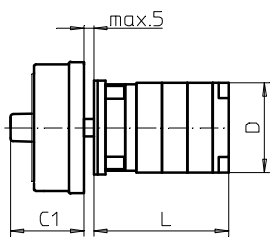
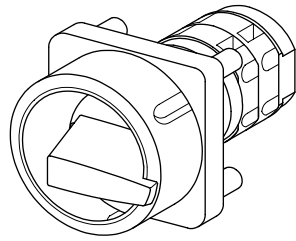
Four hole mounting
36 x 36 mm

035M1 (IP66)
035M4 (IP66)

| Complete switch | Poles | Product line | Rated data (IEC 60947) | | | Order code number | | | | | | | | |
|--|----------|--------------|------------------------------------|--------------------------------|------------|------------------------------|-----------------------------|----|----|----|-----|-----|-----|--------------------|
| | | | Operational current I _e | Operational power at 380–440 V | | | | | | | | | | |
| | | | AC-21A A | AC-23A kW | AC-3 kW | | | | | | | | | |
| Main Switches | 1 ... 24 | M200 | 20 | 7,5 | 5,5 | M220 - 61 ... - 035M1 | | | | | | | | |
| Switching angle 90° | | | 25 | 11 | 7,5 | M225 - 61 ... - 035M1 | | | | | | | | |
| OFF position padlockable 09h | 1 ... 24 | T200 | 32 | 15 | 11 | T225 - 61 ... - 035M1 | | | | | | | | |
| Main/Emergency-Off Switches | 1 ... 24 | M200 | 20 | 7,5 | 5,5 | M220 - 61 ... - 035M4 | | | | | | | | |
| Switching angle 90° | | | 25 | 11 | 7,5 | M225 - 61 ... - 035M4 | | | | | | | | |
| OFF position padlockable 09h | 1 ... 24 | T200 | 32 | 15 | 11 | T225 - 61 ... - 035M4 | | | | | | | | |
| SMD modules for basic switch | | | | | | | | | | | | | | |
| Mounting form module for 035M. | | | M200 / T200 | | | BFB2 - 003 | | | | | | | | |
| M-padlock device 48 x 48 mm, mounting form 035M1 Escutcheon black, padlockable handle black | | | | | | 2BM1 | | | | | | | | |
| M-padlock device 48 x 48 mm, mounting form 035M4 Escutcheon yellow, padlockable handle red | | | | | | 2BM4 | | | | | | | | |
| Dimensions (mm) | | | | | | | | | | | | | | |
| Product lines | A | C1 | D | D1 | D2 | E | L with ... stages (max. 12) | | | | | | | each add. stage |
| | | | | | | | 1 | 2 | 3 | 4 | 5 | 6 | 7 | |
| M220 | 48 | 31 | 46 | 12 | 4,5 | 36 | 40 | 50 | 60 | 70 | 80 | 90 | 100 | 10 |
| M221 | 48 | 31 | 46 | 12 | 4,5 | 36 | 43 | 56 | 69 | 82 | 95 | 108 | 121 | 13 |
| M225 | 48 | 31 | 48 | 12 | 4,5 | 36 | 43 | 56 | 69 | 82 | 95 | 108 | 121 | 13 |
| T225 | 48 | 31 | 50 | 12 | 4,5 | 36 | 45 | 60 | 75 | 90 | 105 | 120 | 135 | 15 |

Front Mounting Switches

sälzer



Product lines
M200 / T200

Front mounting switch
Operator module of next size

Four hole mounting
48 x 48 mm

036M1 (IP66)
036M4 (IP66)

| Complete switch | Poles | Product line | Rated data (IEC 60947) | | | Order code number |
|------------------------------|----------|--------------|---------------------------|--------------------------------|------------|------------------------------|
| | | | Operational current I_e | Operational power at 380–440 V | | |
| | | | AC-21A A | AC-23A kW | AC-3 kW | |
| Main Switches | 1 ... 24 | M200 | 20 | 7,5 | 5,5 | M220 - 61 ... - 036M1 |
| Switching angle 90° | | | 25 | 11 | 7,5 | M225 - 61 ... - 036M1 |
| OFF position padlockable 09h | 1 ... 24 | T200 | 32 | 15 | 11 | T225 - 61 ... - 036M1 |
| Main/Emergency-Off Switches | 1 ... 24 | M200 | 20 | 7,5 | 5,5 | M220 - 61 ... - 036M4 |
| Switching angle 90° | | | 25 | 11 | 7,5 | M225 - 61 ... - 036M4 |
| OFF position padlockable 09h | 1 ... 24 | T200 | 32 | 15 | 11 | T225 - 61 ... - 036M4 |

SMD modules for basic switch

Mounting form module for 036M.

M200 / T200

BFB2 - 036

M-padlock device 67 x 67 mm, mounting form 036M1
Escutcheon black, padlockable handle black

4BM1

M-padlock device 67 x 67 mm, mounting form 036M4
Escutcheon yellow, padlockable handle red

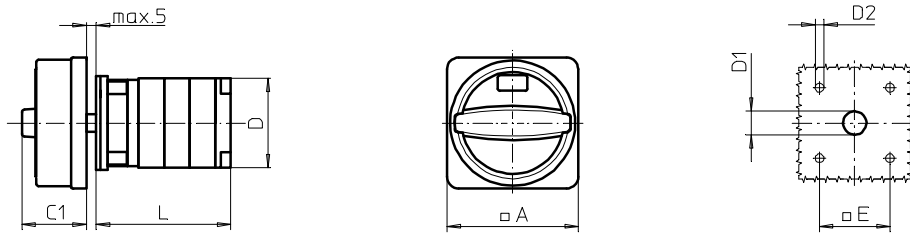
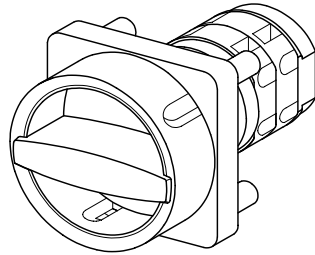
4BM4

Dimensions (mm)

| Product lines | A | C1 | D | D1 | D2 | E | L with ... stages (max. 12) | | | | | | | each add. stage |
|---------------|----|----|----|----|----|----|-----------------------------|----|----|----|-----|-----|-----|--------------------|
| | | | | | | | 1 | 2 | 3 | 4 | 5 | 6 | 7 | |
| M220 | 67 | 38 | 46 | 15 | 5 | 48 | 40 | 50 | 60 | 70 | 80 | 90 | 100 | 10 |
| M221 | 67 | 38 | 46 | 15 | 5 | 48 | 43 | 56 | 69 | 82 | 95 | 108 | 121 | 13 |
| M225 | 67 | 38 | 48 | 15 | 5 | 48 | 43 | 56 | 69 | 82 | 95 | 108 | 121 | 13 |
| T225 | 67 | 38 | 50 | 15 | 5 | 48 | 45 | 60 | 75 | 90 | 105 | 120 | 135 | 15 |

Front Mounting Switches

sälzer



Product lines
M200 / T200

Front mounting switch
Operator module of next size

Four hole mounting
48 x 48 mm

036N1 (IP66)

036N4 (IP66)

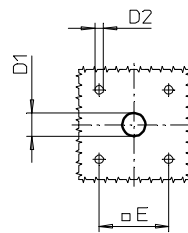
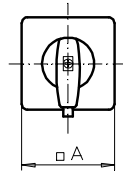
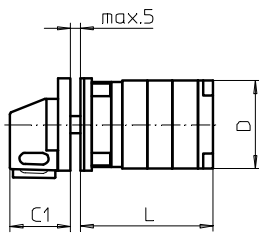
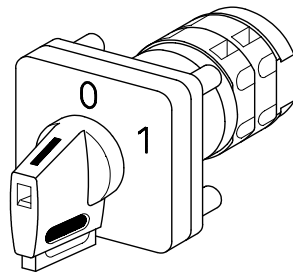
| Complete switch | Poles | Product line | Rated data (IEC 60947) | | | Order code number |
|------------------------------|----------|--------------|------------------------------------|--------------------------------|------------|------------------------------|
| | | | Operational current I _e | Operational power at 380–440 V | | |
| | | | AC-21A A | AC-23A kW | AC-3 kW | |
| Main Switches | 1 ... 24 | M200 | 20 | 7,5 | 5,5 | M220 - 61 ... - 036N1 |
| Switching angle 90° | | | 25 | 11 | 7,5 | M225 - 61 ... - 036N1 |
| OFF position padlockable 09h | 1 ... 24 | T200 | 32 | 15 | 11 | T225 - 61 ... - 036N1 |
| Main/Emergency-Off Switches | 1 ... 24 | M200 | 20 | 7,5 | 5,5 | M220 - 61 ... - 036N4 |
| Switching angle 90° | | | 25 | 11 | 7,5 | M225 - 61 ... - 036N4 |
| OFF position padlockable 09h | 1 ... 24 | T200 | 32 | 15 | 11 | T225 - 61 ... - 036N4 |

| SMD modules for basic switch | | | |
|--|--|-------------|-------------------|
| Mounting form module for 036N. | | M200 / T200 | BFB2 - 036 |
| N-padlock device 67 x 67 mm, mounting form 036N1 | | | 4BN1 |
| Escutcheon black, padlockable handle black | | | |
| N-padlock device 67 x 67 mm, mounting form 036N4 | | | 4BN4 |
| Escutcheon yellow, padlockable handle red | | | |

| Dimensions (mm) | | | | | | | | | | | | | | |
|-----------------|----|----|----|----|----|----|-----------------------------|----|----|----|-----|-----|-----|-----------------|
| Product lines | A | C1 | D | D1 | D2 | E | L with ... stages (max. 12) | | | | | | | each add. stage |
| | | | | | | | 1 | 2 | 3 | 4 | 5 | 6 | 7 | |
| M220 | 67 | 33 | 46 | 15 | 5 | 48 | 40 | 50 | 60 | 70 | 80 | 90 | 100 | 10 |
| M221 | 67 | 33 | 46 | 15 | 5 | 48 | 43 | 56 | 69 | 82 | 95 | 108 | 121 | 13 |
| M225 | 67 | 33 | 48 | 15 | 5 | 48 | 43 | 56 | 69 | 82 | 95 | 108 | 121 | 13 |
| T225 | 67 | 33 | 50 | 15 | 5 | 48 | 45 | 60 | 75 | 90 | 105 | 120 | 135 | 15 |

Front Mounting Switches

sälzer



Product lines
M200 / T200

Front mounting switch
Operator module of next size

Four hole mounting
48 x 48 mm

036V1 (IP66)

036V4 (IP66)

| Complete switch | Poles | Product line | Rated data (IEC 60947) | | | Order code number |
|------------------------------|----------|--------------|------------------------------------|--------------------------------|------------|------------------------------|
| | | | Operational current I _e | Operational power at 380–440 V | | |
| | | | AC-21A A | AC-23A kW | AC-3 kW | |
| Main Switches | 1 ... 24 | M200 | 20 | 7,5 | 5,5 | M220 - 61 ... - 036V1 |
| Switching angle 90° | | | 25 | 11 | 7,5 | M225 - 61 ... - 036V1 |
| OFF position padlockable 09h | 1 ... 24 | T200 | 32 | 15 | 11 | T225 - 61 ... - 036V1 |
| Main/Emergency-Off Switches | 1 ... 24 | M200 | 20 | 7,5 | 5,5 | M220 - 61 ... - 036V4 |
| Switching angle 90° | | | 25 | 11 | 7,5 | M225 - 61 ... - 036V4 |
| OFF position padlockable 09h | 1 ... 24 | T200 | 32 | 15 | 11 | T225 - 61 ... - 036V4 |

SMD modules for basic switch

Mounting form module for 036V.

M200 / T200

BFB2 - 013

V-operator module 64 x 64 mm, mounting form 036V1
Escutcheon black, handle black

4AV1 - 09

Legend plate silver, operator module 036V1

FAS4 - 9078

V-operator module 64 x 64 mm, mounting form 036V4
Escutcheon black, handle red

4AV4 - 09

Legend plate yellow, operator module 036V4

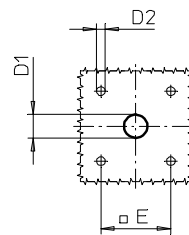
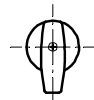
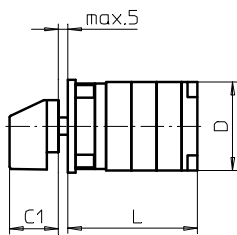
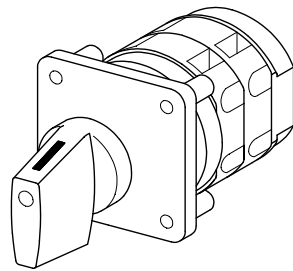
FBS4 - 9078

Dimensions (mm)

| Product lines | A | C1 | D | D1 | D2 | E | L with ... stages (max. 12) | | | | | | | each add. stage |
|---------------|----|----|----|----|----|----|-----------------------------|----|----|----|-----|-----|-----|-----------------|
| | | | | | | | 1 | 2 | 3 | 4 | 5 | 6 | 7 | |
| M220 | 64 | 39 | 46 | 15 | 5 | 48 | 40 | 50 | 60 | 70 | 80 | 90 | 100 | 10 |
| M221 | 64 | 39 | 46 | 15 | 5 | 48 | 43 | 56 | 69 | 82 | 95 | 108 | 121 | 13 |
| M225 | 64 | 39 | 48 | 15 | 5 | 48 | 43 | 56 | 69 | 82 | 95 | 108 | 121 | 13 |
| T225 | 64 | 39 | 50 | 15 | 5 | 48 | 45 | 60 | 75 | 90 | 105 | 120 | 135 | 15 |

Front Mounting Switches

sälzer



Product lines
M200 / T200

Front mounting switch
Without escutcheon

Four hole mounting
36 x 36 mm

103M1 (IP66)

| Complete switch | Poles | Product line | Rated data (IEC 60947) | | | Order code number |
|--|----------|--------------|------------------------------------|--------------------------------|------------|------------------------------|
| | | | Operational current I _e | Operational power at 380–440 V | | |
| | | | AC-21A A | AC-23A kW | AC-3 kW | |
| Rotary Cam Switches Switching angle 30°/45°/60°/90° | 1 ... 24 | M200 | 20 | 7,5 | 5,5 | M220 - 61 ... - 103M1 |
| | | | 25 | 11 | 7,5 | M225 - 61 ... - 103M1 |
| | 1 ... 24 | T200 | 32 | 15 | 11 | T225 - 61 ... - 103M1 |

SMD modules for basic switch

Mounting form module for 103M1
(Shaft shortened by 5 mm)

M200 / T200

BFB2 - 103

M-handle black, mounting form 103M1
(Without escutcheon/without legend plate)

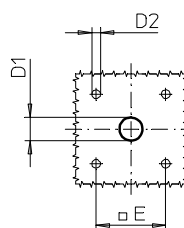
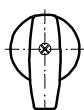
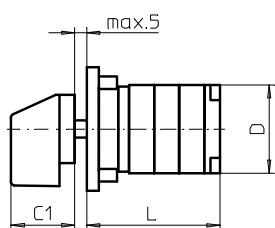
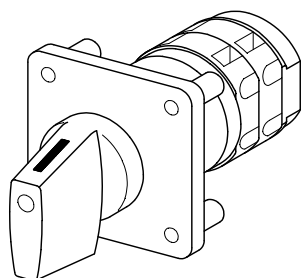
2XM1

Dimensions (mm)

| Product lines | C1 | D | D1 | D2 | E | L with ... stages (max. 12) | | | | | | | each add. stage |
|---------------|----|----|----|-----|----|-----------------------------|----|----|----|-----|-----|-----|--------------------|
| | | | | | | 1 | 2 | 3 | 4 | 5 | 6 | 7 | |
| M220 | 25 | 46 | 12 | 4,5 | 36 | 40 | 50 | 60 | 70 | 80 | 90 | 100 | 10 |
| M221 | 25 | 46 | 12 | 4,5 | 36 | 43 | 56 | 69 | 82 | 95 | 108 | 121 | 13 |
| M225 | 25 | 48 | 12 | 4,5 | 36 | 43 | 56 | 69 | 82 | 95 | 108 | 121 | 13 |
| T225 | 25 | 50 | 12 | 4,5 | 36 | 45 | 60 | 75 | 90 | 105 | 120 | 135 | 15 |

Front Mounting Switches

sälzer



Product lines
M200 / T200

Front mounting switch
Operator module of next size
Without escutcheon

Four hole mounting
48 x 48 mm

113M1 (IP66)

| Complete switch | Poles | Product line | Rated data (IEC 60947) | | | Order code number |
|--|----------|--------------|------------------------------------|--------------------------------|------------|------------------------------|
| | | | Operational current I _e | Operational power at 380–440 V | | |
| | | | AC-21A A | AC-23A kW | AC-3 kW | |
| Rotary Cam Switches Switching angle 30°/45°/60°/90° | 1 ... 24 | M200 | 20 | 7,5 | 5,5 | M220 - 61 ... - 113M1 |
| | | | 25 | 11 | 7,5 | M225 - 61 ... - 113M1 |
| | 1 ... 24 | T200 | 32 | 15 | 11 | T225 - 61 ... - 113M1 |

SMD modules for basic switch

Mounting form module for 113M1
(Shaft shortened by 5 mm)

M200 / T200

BFB2 - 036

M-handle black, mounting form 113M1
(Without escutcheon/without legend plate)

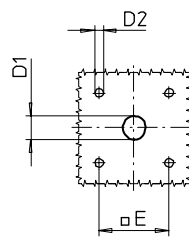
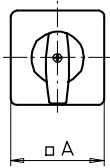
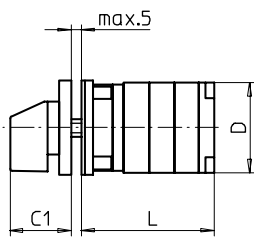
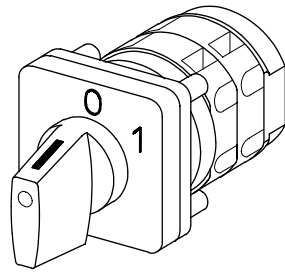
4XM1

Dimensions (mm)

| Product lines | C1 | D | D1 | D2 | E | L with ... stages (max. 12) | | | | | | | each add. stage |
|---------------|----|----|----|----|----|-----------------------------|----|----|----|-----|-----|-----|--------------------|
| | | | | | | 1 | 2 | 3 | 4 | 5 | 6 | 7 | |
| M220 | 30 | 46 | 15 | 5 | 48 | 40 | 50 | 60 | 70 | 80 | 90 | 100 | 10 |
| M221 | 30 | 46 | 15 | 5 | 48 | 43 | 56 | 69 | 82 | 95 | 108 | 121 | 13 |
| M225 | 30 | 48 | 15 | 5 | 48 | 43 | 56 | 69 | 82 | 95 | 108 | 121 | 13 |
| T225 | 30 | 50 | 15 | 5 | 48 | 45 | 60 | 75 | 90 | 105 | 120 | 135 | 15 |

Front Mounting Switches

sälzer



Product lines
M200 / T200

Front mounting switch

Four hole mounting
36 x 36 mm

Hexagon steel shaft
Front mounting panel door
thickness up to 5 mm max.

120M1 (IP66)

| Complete switch | Poles | Product line | Rated data (IEC 60947) | | | Order code number |
|--|----------|--------------|------------------------------------|--------------------------------|------------|------------------------------|
| | | | Operational current I _e | Operational power at 380–440 V | | |
| | | | AC-21A A | AC-23A kW | AC-3 kW | |
| Rotary Cam Switches Switching angle 30°/45°/60°/90° | 1 ... 24 | M200 | 20 | 7,5 | 5,5 | M220 - 61 ... - 120M1 |
| | | | 25 | 11 | 7,5 | M225 - 61 ... - 120M1 |
| | 1 ... 24 | T200 | 32 | 15 | 11 | T225 - 61 ... - 120M1 |

SMD modules for basic switch

Mounting form module for 120M1

M200 / T200

BFB2 - 120

M-operator module 48 x 48 mm, mounting form 120M1

2PM1

Escutcheon black, handle black

Legend plate silver, operator module 120M1

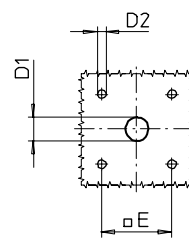
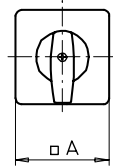
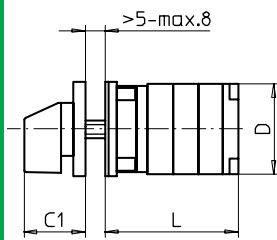
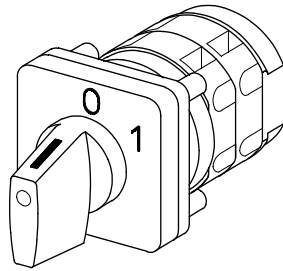
FAS2 - (FA number)

Dimensions (mm)

| Product lines | A | C1 | D | D1 | D2 | E | L with ... stages (max. 12) | | | | | | | each add. stage |
|---------------|----|----|----|----|-----|----|-----------------------------|----|----|----|-----|-----|-----|--------------------|
| | | | | | | | 1 | 2 | 3 | 4 | 5 | 6 | 7 | |
| M220 | 48 | 32 | 46 | 12 | 4,5 | 36 | 40 | 50 | 60 | 70 | 80 | 90 | 100 | 10 |
| M221 | 48 | 32 | 46 | 12 | 4,5 | 36 | 43 | 56 | 69 | 82 | 95 | 108 | 121 | 13 |
| M225 | 48 | 32 | 48 | 12 | 4,5 | 36 | 43 | 56 | 69 | 82 | 95 | 108 | 121 | 13 |
| T225 | 48 | 32 | 50 | 12 | 4,5 | 36 | 45 | 60 | 75 | 90 | 105 | 120 | 135 | 15 |

Front Mounting Switches

sälzer



Product lines
M200 / T200

Front mounting switch

Four hole mounting
36 x 36 mm

Hexagon steel shaft
Front mounting panel
door thickness up to
5 to 8 mm max.

121M1 (IP66)

| Complete switch | Poles | Product line | Rated data (IEC 60947) | | | Order code number |
|--|----------|--------------|------------------------------------|--------------------------------|------------|------------------------------|
| | | | Operational current I _e | Operational power at 380–440 V | | |
| | | | AC-21A A | AC-23A kW | AC-3 kW | |
| Rotary Cam Switches Switching angle 30°/45°/60°/90° | 1 ... 24 | M200 | 20 | 7,5 | 5,5 | M220 - 61 ... - 121M1 |
| | | | 25 | 11 | 7,5 | M225 - 61 ... - 121M1 |
| | 1 ... 24 | T200 | 32 | 15 | 11 | T225 - 61 ... - 121M1 |

SMD modules for basic switch

Mounting form module for 121M1

M200 / T200

BFB2 - 121

M-operator module 48 x 48 mm, mounting form 121M1

2SM1

Escutcheon black, handle black

Legend plate silver, operator module 121M1

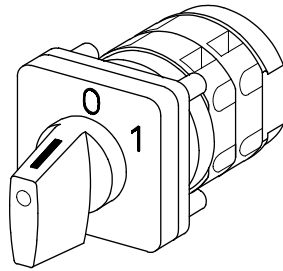
FAS2 - (FA number)

Dimensions (mm)

| Product lines | A | C1 | D | D1 | D2 | E | L with ... stages (max. 12) | | | | | | | each add. stage |
|---------------|----|----|----|----|-----|----|-----------------------------|----|----|----|-----|-----|-----|-----------------|
| | | | | | | | 1 | 2 | 3 | 4 | 5 | 6 | 7 | |
| M220 | 48 | 32 | 46 | 12 | 4,5 | 36 | 40 | 50 | 60 | 70 | 80 | 90 | 100 | 10 |
| M221 | 48 | 32 | 46 | 12 | 4,5 | 36 | 43 | 56 | 69 | 82 | 95 | 108 | 121 | 13 |
| M225 | 48 | 32 | 48 | 12 | 4,5 | 36 | 43 | 56 | 69 | 82 | 95 | 108 | 121 | 13 |
| T225 | 48 | 32 | 50 | 12 | 4,5 | 36 | 45 | 60 | 75 | 90 | 105 | 120 | 135 | 15 |

Front Mounting Switches

sälzer



Product lines
M200 / T200

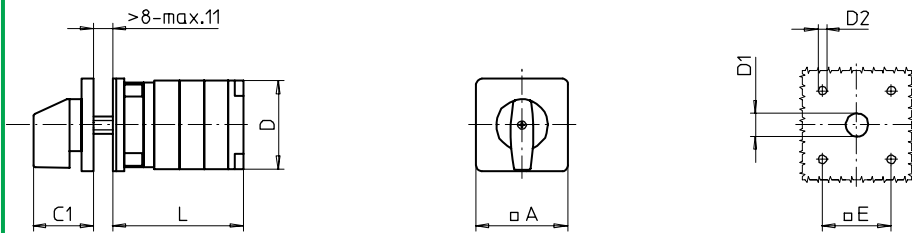
Front mounting switch

Four hole mounting
36 x 36 mm

Hexagon steel shaft

Front mounting panel
door thickness up to
8 to 11 mm max.

122M1 (IP66)



| Complete switch | Poles | Product line | Rated data (IEC 60947) | | | Order code number |
|--|----------|--------------|------------------------------------|--------------------------------|------------|------------------------------|
| | | | Operational current I _e | Operational power at 380–440 V | | |
| | | | AC-21A A | AC-23A kW | AC-3 kW | |
| Rotary Cam Switches Switching angle 30°/45°/60°/90° | 1 ... 24 | M200 | 20 | 7,5 | 5,5 | M220 - 61 ... - 122M1 |
| | | | 25 | 11 | 7,5 | M225 - 61 ... - 122M1 |
| | 1 ... 24 | T200 | 32 | 15 | 11 | T225 - 61 ... - 122M1 |

SMD modules for basic switch

Mounting form module for 122M1

M200 / T200

BFB2 - 122

M-operator module 48 x 48 mm, mounting form 122M1

2TM1

Escutcheon black, handle black

Legend plate silver, operator module 122M1

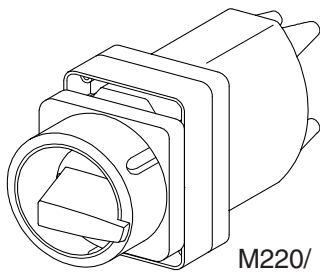
FAS2 - (FA number)

Dimensions (mm)

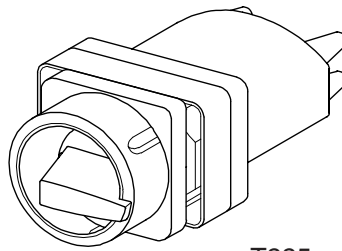
| Type | A | C1 | D | D1 | D2 | E | L with ... stages (max. 12) | | | | | | | each add. stage |
|------|----|----|----|----|-----|----|-----------------------------|----|----|----|-----|-----|-----|--------------------|
| | | | | | | | 1 | 2 | 3 | 4 | 5 | 6 | 7 | |
| M220 | 48 | 32 | 46 | 12 | 4,5 | 36 | 40 | 50 | 60 | 70 | 80 | 90 | 100 | 10 |
| M221 | 48 | 32 | 46 | 12 | 4,5 | 36 | 43 | 56 | 69 | 82 | 95 | 108 | 121 | 13 |
| M225 | 48 | 32 | 48 | 12 | 4,5 | 36 | 43 | 56 | 69 | 82 | 95 | 108 | 121 | 13 |
| T225 | 48 | 32 | 50 | 12 | 4,5 | 36 | 45 | 60 | 75 | 90 | 105 | 120 | 135 | 15 |

Front Mounting Switches

sälzer

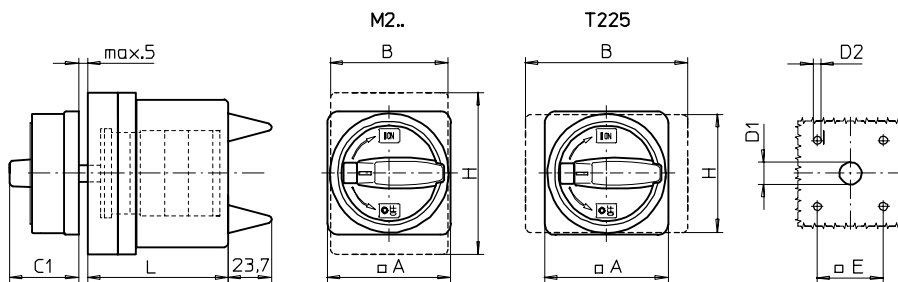


M220/ M225



T225

Schalter/Switch



Product lines
M200 / T200

Front mounting switch
With dust protection cover

Four hole mounting
36 x 36 mm

130M1 (IP66)

130M4 (IP66)

| Complete switch | Poles | Product line | Rated data (IEC 60947) | | | Order code number |
|------------------------------|---------|--------------|------------------------------------|--------------------------------|------------|------------------------------|
| | | | Operational current I _e | Operational power at 380–440 V | | |
| | | | AC-21A A | AC-23A kW | AC-3 kW | |
| Main Switches | 1 ... 8 | M200 | 20 | 7,5 | 5,5 | M220 - 61 ... - 130M1 |
| Switching angle 90° | 1 ... 6 | | 25 | 11 | 7,5 | M225 - 61 ... - 130M1 |
| OFF position padlockable 09h | 1 ... 4 | T200 | 32 | 15 | 11 | T225 - 61 ... - 130M1 |
| Main/Emergency-Off Switches | 1 ... 8 | M200 | 20 | 7,5 | 5,5 | M220 - 61 ... - 130M4 |
| Switching angle 90° | 1 ... 6 | | 25 | 11 | 7,5 | M225 - 61 ... - 130M4 |
| OFF position padlockable 09h | 1 ... 4 | T200 | 32 | 15 | 11 | T225 - 61 ... - 130M4 |

SMD modules for basic switch

Mounting form module for 130M.

M200
T200

BFA2 - 130
BFB2 - 130

M-padlock device 67 x 67 mm, mounting form 130M1
Escutcheon black, padlockable handle black

2CM1

M-padlock device 67 x 67 mm, mounting form 130M4
Escutcheon yellow, padlockable handle red

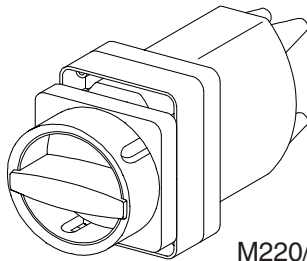
2CM4

Dimensions (mm)

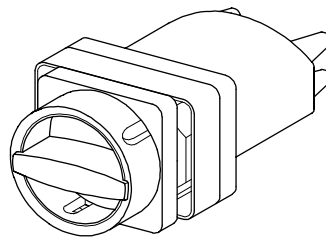
| Product lines | A | B | C1 | D1 | D2 | E | H | L with ... stages | | | |
|---------------|----|----|----|----|-----|----|----|-------------------|----|----|----|
| | | | | | | | | 1 | 2 | 3 | 4 |
| M220 | 67 | 64 | 38 | 15 | 4,5 | 36 | 88 | 80 | 80 | 80 | 80 |
| M221 | 67 | 64 | 38 | 15 | 4,5 | 36 | 88 | 80 | 80 | 80 | - |
| M225 | 67 | 64 | 38 | 15 | 4,5 | 36 | 88 | 80 | 80 | 80 | - |
| T225 | 67 | 88 | 38 | 15 | 4,5 | 36 | 64 | 80 | 80 | - | - |

Front Mounting Switches

sälzer

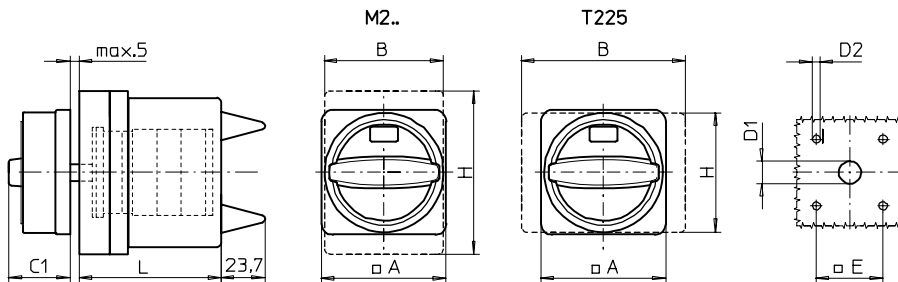


M220/ M225



T225

Schalter/Switch



Product lines
M200 / T200

Front mounting switch
With dust protection cover

Four hole mounting
36 x 36 mm

130N1 (IP66)

130N4 (IP66)

| Complete switch | Poles | Product line | Rated data (IEC 60947) | | | Order code number |
|------------------------------|---------|--------------|------------------------------------|--------------------------------|------------|-----------------------|
| | | | Operational current I _e | Operational power at 380–440 V | | |
| | | | AC-21A A | AC-23A kW | AC-3 kW | |
| Main Switches | 1 ... 8 | M200 | 20 | 7,5 | 5,5 | M220 - 61 ... - 130N1 |
| Switching angle 90° | 1 ... 6 | | 25 | 11 | 7,5 | M225 - 61 ... - 130N1 |
| OFF position padlockable 09h | 1 ... 4 | T200 | 32 | 15 | 11 | T225 - 61 ... - 130N1 |
| Main/Emergency-Off Switches | 1 ... 8 | M200 | 20 | 7,5 | 5,5 | M220 - 61 ... - 130N4 |
| Switching angle 90° | 1 ... 6 | | 25 | 11 | 7,5 | M225 - 61 ... - 130N4 |
| OFF position padlockable 09h | 1 ... 4 | T200 | 32 | 15 | 11 | T225 - 61 ... - 130N4 |

SMD modules for basic switch

Mounting form module for 130N.

M200
T200

BFA2 - 130
BFB2 - 130

N-padlock device 67 x 67 mm, mounting form 130N1
Escutcheon black, padlockable handle black

2CN1

N-padlock device 67 x 67 mm, mounting form 130N4
Escutcheon yellow, padlockable handle red

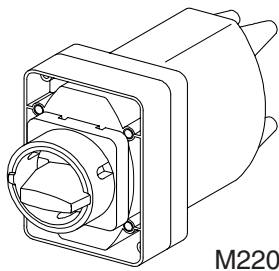
2CN4

Dimensions (mm)

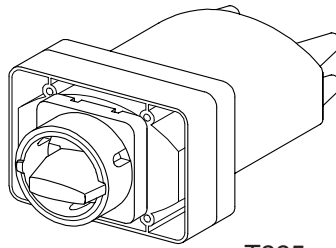
| Product lines | A | B | C1 | D1 | D2 | E | H | L with ... stages | | | |
|---------------|----|----|----|----|-----|----|----|-------------------|----|----|----|
| | | | | | | | | 1 | 2 | 3 | 4 |
| M220 | 67 | 64 | 33 | 15 | 4,5 | 36 | 88 | 80 | 80 | 80 | 80 |
| M221 | 67 | 64 | 33 | 15 | 4,5 | 36 | 88 | 80 | 80 | 80 | - |
| M225 | 67 | 64 | 33 | 15 | 4,5 | 36 | 88 | 80 | 80 | 80 | - |
| T225 | 67 | 88 | 33 | 15 | 4,5 | 36 | 64 | 80 | 80 | - | - |

Front Mounting Switches

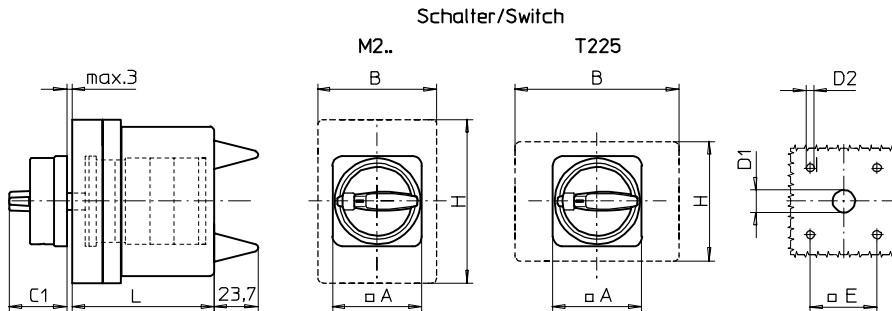
sälzer



M220/ M225



T225



Product lines
M200 / T200

Front mounting switch
With dust protection cover

Four hole mounting
36 x 36 mm

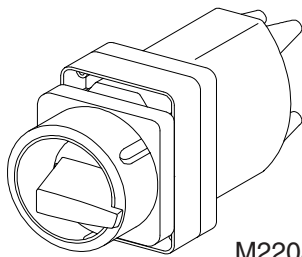
131M1 (IP66)

131M4 (IP66)

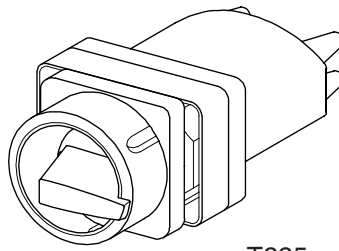
| Complete switch | Poles | Product line | Rated data (IEC 60947) | | | Order code number | | | | | |
|--|---------|--------------|------------------------------------|--------------------------------|------------|------------------------------|----|-------------------|----|----|----|
| | | | Operational current I _e | Operational power at 380–440 V | | | | | | | |
| | | | AC-21A A | AC-23A kW | AC-3 kW | | | | | | |
| Main Switches | 1 ... 8 | M200 | 20 | 7,5 | 5,5 | M220 - 61 ... - 131M1 | | | | | |
| Switching angle 90° | 1 ... 6 | | 25 | 11 | 7,5 | M225 - 61 ... - 131M1 | | | | | |
| OFF position padlockable 09h | 1 ... 4 | T200 | 32 | 15 | 11 | T225 - 61 ... - 131M1 | | | | | |
| Main/Emergency-Off Switches | 1 ... 8 | M200 | 20 | 7,5 | 5,5 | M220 - 61 ... - 131M4 | | | | | |
| Switching angle 90° | 1 ... 6 | | 25 | 11 | 7,5 | M225 - 61 ... - 131M4 | | | | | |
| OFF position padlockable 09h | 1 ... 4 | T200 | 32 | 15 | 11 | T225 - 61 ... - 131M4 | | | | | |
| SMD modules for basic switch | | | | | | | | | | | |
| Mounting form module for 131M. | | | M200 | BFA2 - 131 | | | | | | | |
| | | | T200 | BFB2 - 131 | | | | | | | |
| M-padlock device 48 x 48 mm, mounting form 131M1 Escutcheon black, padlockable handle black | | | | | | 2BM1 | | | | | |
| M-padlock device 48 x 48 mm, mounting form 131M4 Escutcheon yellow, padlockable handle red | | | | | | 2BM4 | | | | | |
| Dimensions (mm) | | | | | | | | | | | |
| Product lines | A | B | C1 | D1 | D2 | E | H | L with ... stages | | | |
| | | | | | | | | 1 | 2 | 3 | 4 |
| M220 | 48 | 64 | 32 | 12 | 4,5 | 36 | 88 | 80 | 80 | 80 | 80 |
| M221 | 48 | 64 | 32 | 12 | 4,5 | 36 | 88 | 80 | 80 | 80 | - |
| M225 | 48 | 64 | 32 | 12 | 4,5 | 36 | 88 | 80 | 80 | 80 | - |
| T225 | 48 | 88 | 32 | 12 | 4,5 | 36 | 64 | 80 | 80 | - | - |

Front Mounting Switches

sälzer

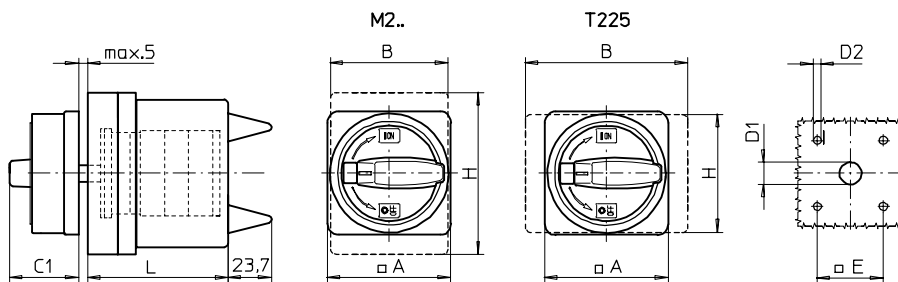


M220/ M225



T225

Schalter/Switch



Product lines
M200 / T200

Front mounting switch
Operator module of next size
With dust protection cover

Four hole mounting
48 x 48 mm

132M1 (IP66)

132M4 (IP66)

| Complete switch | Poles | Product line | Rated data (IEC 60947) | | | Order code number |
|------------------------------|---------|--------------|------------------------------------|--------------------------------|------------|------------------------------|
| | | | Operational current I _e | Operational power at 380–440 V | | |
| | | | AC-21A A | AC-23A kW | AC-3 kW | |
| Main Switches | 1 ... 8 | M200 | 20 | 7,5 | 5,5 | M220 - 61 ... - 132M1 |
| Switching angle 90° | 1 ... 6 | | 25 | 11 | 7,5 | M225 - 61 ... - 132M1 |
| OFF position padlockable 09h | 1 ... 4 | T200 | 32 | 15 | 11 | T225 - 61 ... - 132M1 |
| Main/Emergency-Off Switches | 1 ... 8 | M200 | 20 | 7,5 | 5,5 | M220 - 61 ... - 132M4 |
| Switching angle 90° | 1 ... 6 | | 25 | 11 | 7,5 | M225 - 61 ... - 132M4 |
| OFF position padlockable 09h | 1 ... 4 | T200 | 32 | 15 | 11 | T225 - 61 ... - 132M4 |

SMD modules for basic switch

Mounting form module for 132M.

M200
T200

BFA2 - 132
BFB2 - 132

M-padlock device 67 x 67 mm, mounting form 132M1
Escutcheon black, padlockable handle black

4BM1

M-padlock device 67 x 67 mm, mounting form 132M4
Escutcheon yellow, padlockable handle red

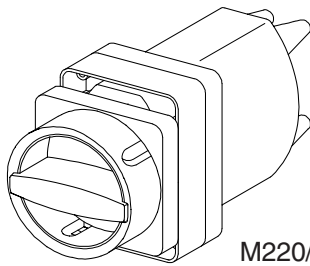
4BM4

Dimensions (mm)

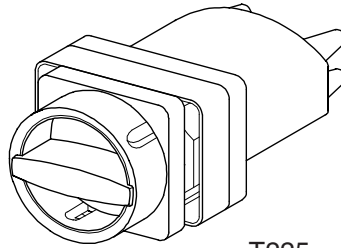
| Product lines | A | B | C1 | D1 | D2 | E | H | L with ... stages | | | |
|---------------|----|----|----|----|----|----|----|-------------------|----|----|----|
| | | | | | | | | 1 | 2 | 3 | 4 |
| M220 | 67 | 64 | 38 | 15 | 5 | 48 | 88 | 80 | 80 | 80 | 80 |
| M221 | 67 | 64 | 38 | 15 | 5 | 48 | 88 | 80 | 80 | 80 | - |
| M225 | 67 | 64 | 38 | 15 | 5 | 48 | 88 | 80 | 80 | 80 | - |
| T225 | 67 | 88 | 38 | 15 | 5 | 48 | 64 | 80 | 80 | - | - |

Front Mounting Switches

sälzer

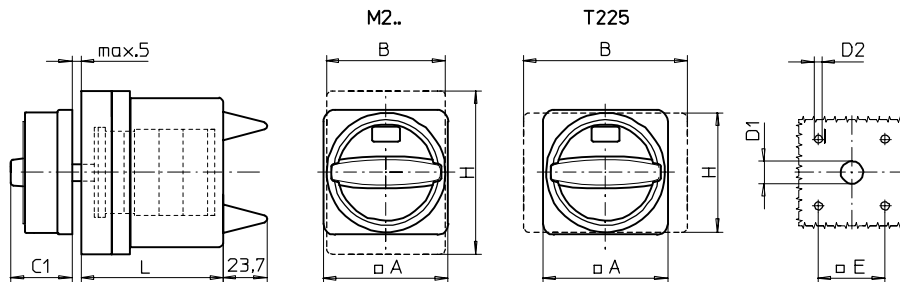


M220/ M225



T225

Schalter/Switch



Product lines
M200 / T200

Front mounting switch
Operator module of next size
With dust protection cover

Four hole mounting
48 x 48 mm

132N1 (IP66)

132N4 (IP66)

| Complete switch | Poles | Product line | Rated data (IEC 60947) | | | Order code number |
|------------------------------|---------|--------------|------------------------------------|--------------------------------|------------|-----------------------|
| | | | Operational current I _e | Operational power at 380–440 V | | |
| | | | AC-21A A | AC-23A kW | AC-3 kW | |
| Main Switches | 1 ... 8 | M200 | 20 | 7,5 | 5,5 | M220 - 61 ... - 132N1 |
| Switching angle 90° | 1 ... 6 | | 25 | 11 | 7,5 | M225 - 61 ... - 132N1 |
| OFF position padlockable 09h | 1 ... 4 | T200 | 32 | 15 | 11 | T225 - 61 ... - 132N1 |
| Main/Emergency-Off Switches | 1 ... 8 | M200 | 20 | 7,5 | 5,5 | M220 - 61 ... - 132N4 |
| Switching angle 90° | 1 ... 6 | | 25 | 11 | 7,5 | M225 - 61 ... - 132N4 |
| OFF position padlockable 09h | 1 ... 4 | T200 | 32 | 15 | 11 | T225 - 61 ... - 132N4 |

SMD modules for basic switch

Mounting form module for 132N.

M200
T200

BFA2 - 132
BFB2 - 132

N-padlock device 67 x 67 mm, mounting form 132N1
Escutcheon black, padlockable handle black

4BN1

N-padlock device 67 x 67 mm, mounting form 132N4
Escutcheon yellow, padlockable handle red

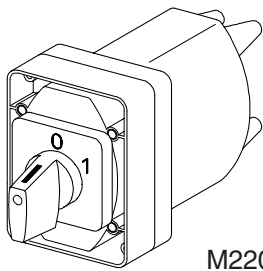
4BN4

Dimensions (mm)

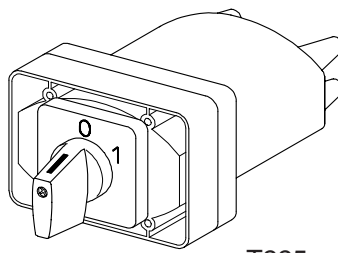
| Product lines | A | B | C1 | D1 | D2 | E | H | L with ... stages | | | |
|---------------|----|----|----|----|----|----|----|-------------------|----|----|----|
| | | | | | | | | 1 | 2 | 3 | 4 |
| M220 | 67 | 64 | 33 | 15 | 5 | 48 | 88 | 80 | 80 | 80 | 80 |
| M221 | 67 | 64 | 33 | 15 | 5 | 48 | 88 | 80 | 80 | 80 | - |
| M225 | 67 | 64 | 33 | 15 | 5 | 48 | 88 | 80 | 80 | 80 | - |
| T225 | 67 | 88 | 33 | 15 | 5 | 48 | 64 | 80 | 80 | - | - |

Front Mounting Switches

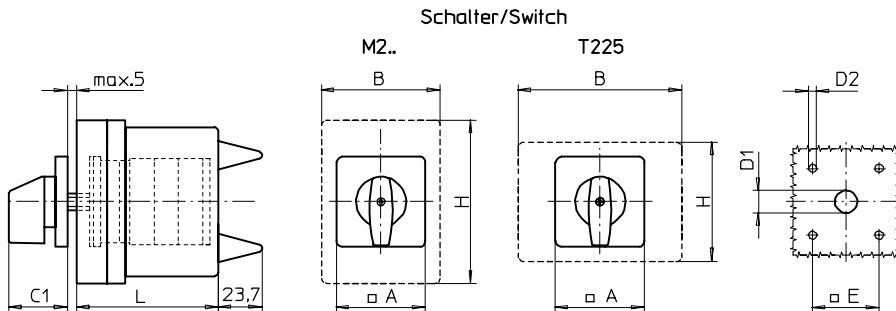
sälzer



M220/ M225



T225



Product lines
M200 / T200

Front mounting switch
With dust protection cover

Four hole mounting
36 x 36 mm

Hexagon steel shaft
Front mounting panel door
thickness up to 5 mm max.

150M1 (IP66)

| Complete switch | Poles | Product line | Rated data (IEC 60947) | | | Order code number |
|--|---------|--------------|------------------------------------|--------------------------------|------------|------------------------------|
| | | | Operational current I _e | Operational power at 380–440 V | | |
| | | | AC-21A A | AC-23A kW | AC-3 kW | |
| Rotary Cam Switches Switching angle 30°/45°/60°/90° | 1 ... 8 | M200 | 20 | 7,5 | 5,5 | M220 - 61 ... - 150M1 |
| | 1 ... 6 | | 25 | 11 | 7,5 | M225 - 61 ... - 150M1 |
| | 1 ... 4 | T200 | 32 | 15 | 11 | T225 - 61 ... - 150M1 |

SMD modules for basic switch

Mounting form module for 150M1

M200
T200

BFA2 - 150
BFB2 - 150

M-operator module 48 x 48 mm, mounting form 150M1
Escutcheon black, handle black

M200 / T200

2PM1

Legend plate silver, operator module 150M1

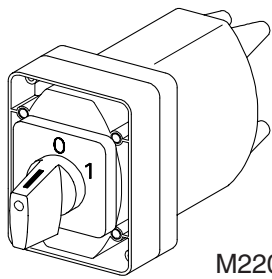
FAS2 - (FA number)

Dimensions (mm)

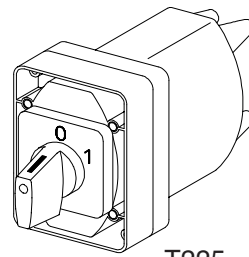
| Product lines | A | B | C1 | D1 | D2 | E | H | L with ... stages | | | |
|---------------|----|----|----|----|-----|----|----|-------------------|----|----|----|
| | | | | | | | | 1 | 2 | 3 | 4 |
| M220 | 48 | 64 | 32 | 12 | 4,5 | 36 | 88 | 80 | 80 | 80 | 80 |
| M221 | 48 | 64 | 32 | 12 | 4,5 | 36 | 88 | 80 | 80 | 80 | - |
| M225 | 48 | 64 | 32 | 12 | 4,5 | 36 | 88 | 80 | 80 | 80 | - |
| T225 | 48 | 88 | 32 | 12 | 4,5 | 36 | 64 | 80 | 80 | - | - |

Front Mounting Switches

sälzer

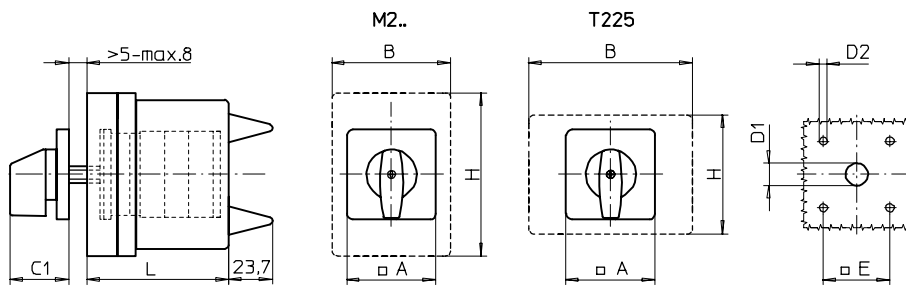


M220/ M225



T225

Schalter/Switch



Product lines
M200 / T200

Front mounting switch
with dust protection cover

Four hole mounting
36 x 36 mm

Hexagon steel shaft
Front mounting panel
door thickness up to
5 to 8 mm max.

151M1 (IP66)

| Complete switch | Poles | Product line | Rated data (IEC 60947) | | | Order code number |
|--|---------|--------------|------------------------------------|--------------------------------|------------|------------------------------|
| | | | Operational current I _e | Operational power at 380–440 V | | |
| | | | AC-21A A | AC-23A kW | AC-3 kW | |
| Rotary Cam Switches Switching angle 30°/45°/60°/90° | 1 ... 8 | M200 | 20 | 7,5 | 5,5 | M220 - 61 ... - 151M1 |
| | 1 ... 6 | | 25 | 11 | 7,5 | M225 - 61 ... - 151M1 |
| | 1 ... 4 | T200 | 32 | 15 | 11 | T225 - 61 ... - 151M1 |

SMD modules for basic switch

Mounting form module for 151M1

M200
T200

BFA2 - 151
BFB2 - 151

M-operator module 48 x 48 mm, mounting form 151M1
Escutcheon black, handle black

M200 / T200

2SM1

Legend plate silver, operator module 151M1

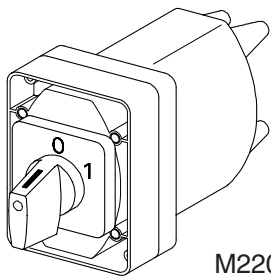
FAS2 - (FA number)

Dimensions (mm)

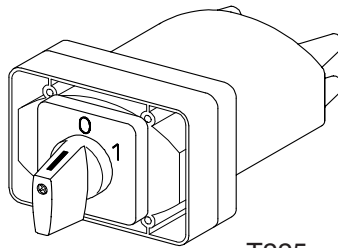
| Product lines | A | B | C1 | D1 | D2 | E | H | L with ... stages | | | |
|---------------|----|----|----|----|-----|----|----|-------------------|----|----|----|
| | | | | | | | | 1 | 2 | 3 | 4 |
| M220 | 48 | 64 | 32 | 12 | 4,5 | 36 | 88 | 80 | 80 | 80 | 80 |
| M221 | 48 | 64 | 32 | 12 | 4,5 | 36 | 88 | 80 | 80 | 80 | - |
| M225 | 48 | 64 | 32 | 12 | 4,5 | 36 | 88 | 80 | 80 | 80 | - |
| T225 | 48 | 88 | 32 | 12 | 4,5 | 36 | 64 | 80 | 80 | - | - |

Front Mounting Switches

sälzer

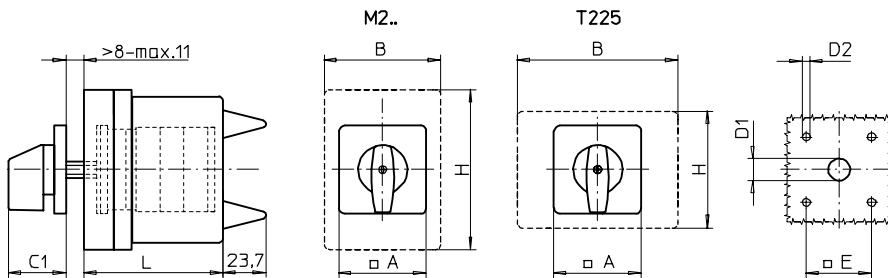


M220/ M225



T225

Schalter/Switch



Product lines
M200 / T200

Front mounting switch
with dust protection cover

Four hole mounting
36 x 36 mm

Hexagon steel shaft
Front mounting panel
door thickness up to
8 to 11 mm max.

152M1 (IP66)

| Complete switch | Poles | Product line | Rated data (IEC 60947) | | | Order code number |
|--|---------|--------------|------------------------------------|--------------------------------|------------|------------------------------|
| | | | Operational current I _e | Operational power at 380–440 V | | |
| | | | AC-21A A | AC-23A kW | AC-3 kW | |
| Rotary Cam Switches Switching angle 30°/45°/60°/90° | 1 ... 8 | M200 | 20 | 7,5 | 5,5 | M220 - 61 ... - 152M1 |
| | 1 ... 6 | | 25 | 11 | 7,5 | M225 - 61 ... - 152M1 |
| | 1 ... 4 | T200 | 32 | 15 | 11 | T225 - 61 ... - 152M1 |

SMD modules for basic switch

Mounting form module for 152M1

M200
T200

BFA2 - 152
BFB2 - 152

M-operator module 48 x 48 mm, mounting form 152M1
Escutcheon black, handle black

M200 / T200

2TM1

Legend plate silver, operator module 152M1

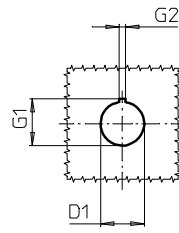
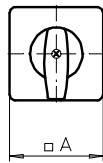
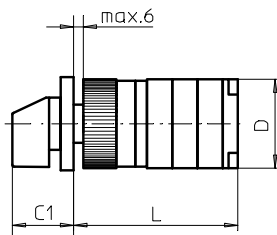
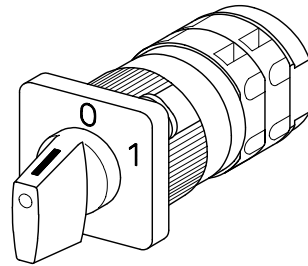
FAS2 - (FA number)

Dimensions (mm)

| Typ | A | B | C1 | D1 | D2 | E | H | L with ... stages | | | |
|------|----|----|----|----|-----|----|----|-------------------|----|----|----|
| | | | | | | | | 1 | 2 | 3 | 4 |
| M220 | 48 | 64 | 32 | 12 | 4,5 | 36 | 88 | 80 | 80 | 80 | 80 |
| M221 | 48 | 64 | 32 | 12 | 4,5 | 36 | 88 | 80 | 80 | 80 | - |
| M225 | 48 | 64 | 32 | 12 | 4,5 | 36 | 88 | 80 | 80 | 80 | - |
| T225 | 48 | 88 | 32 | 12 | 4,5 | 36 | 64 | 80 | 80 | - | - |

Front Mounting Switches

sälzer



Product lines
M200 / T200

Front mounting switch

Single hole mounting
ø 22,5 mm

219M1 (IP66)

| Complete switch | Poles | Product line | Rated data (IEC 60947) | | | Order code number |
|--|----------|--------------|------------------------------------|--------------------------------|------------|------------------------------|
| | | | Operational current I _e | Operational power at 380–440 V | | |
| | | | AC-21A A | AC-23A kW | AC-3 kW | |
| Rotary Cam Switches Switching angle 30°/45°/60°/90° | 1 ... 24 | M200 | 20 | 7,5 | 5,5 | M220 - 61 ... - 219M1 |
| | | | 25 | 11 | 7,5 | M225 - 61 ... - 219M1 |
| | 1 ... 24 | T200 | 32 | 15 | 11 | T225 - 61 ... - 219M1 |

SMD modules for basic switch

Mounting form module for 219M1

M200 / T200

BFB2 - 219

M-operator module 48 x 48 mm, mounting form 219M1

2DM1

Escutcheon black, handle black

Legend plate silver, operator module 219M1

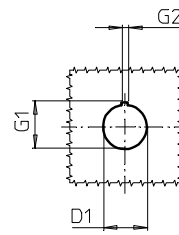
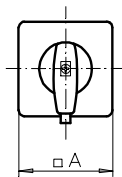
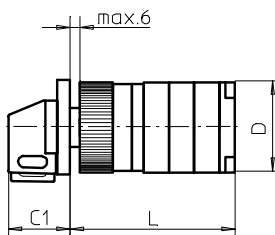
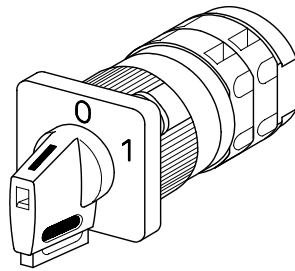
FAS2 - (FA number)

Dimensions (mm)

| Product lines | A | C1 | D | D1 | G1 | G2 | L with ... stages (max. 12) | | | | | | | each add. stage |
|---------------|----|----|----|------|------|-----|-----------------------------|----|----|-----|-----|-----|-----|--------------------|
| | | | | | | | 1 | 2 | 3 | 4 | 5 | 6 | 7 | |
| M220 | 48 | 32 | 46 | 22,5 | 24,2 | 3,2 | 59 | 69 | 79 | 89 | 99 | 109 | 119 | 10 |
| M221 | 48 | 32 | 46 | 22,5 | 24,2 | 3,2 | 62 | 75 | 88 | 101 | 114 | 127 | 140 | 13 |
| M225 | 48 | 32 | 48 | 22,5 | 24,2 | 3,2 | 62 | 75 | 88 | 101 | 114 | 127 | 140 | 13 |
| T225 | 48 | 32 | 50 | 22,5 | 24,2 | 3,2 | 64 | 79 | 94 | 109 | 124 | 139 | 154 | 15 |

Front Mounting Switches

sälzer



Product lines
M200 / T200

Front mounting switch

Single hole mounting
ø 22,5 mm

219V1 (IP66)
220V1 (IP66)

| Complete switch | Poles | Product line | Rated data (IEC 60947) | | | Order code number |
|--|----------|--------------|------------------------------------|--------------------------------|------------|------------------------------|
| | | | Operational current I _e | Operational power at 380–440 V | | |
| | | | AC-21A A | AC-23A kW | AC-3 kW | |
| Rotary Cam Switches Switching angle 30°/45°/60°/90° Padlockable 12h | 1 ... 24 | M200 | 20 | 7,5 | 5,5 | M220 - 61 ... - 219V1 |
| | | | 25 | 11 | 7,5 | M225 - 61 ... - 219V1 |
| | 1 ... 24 | T200 | 32 | 15 | 11 | T225 - 61 ... - 219V1 |
| Rotary Cam Switches Switching angle 90° 3 positions padlockable (09h/12h/03h) | 1 ... 24 | M200 | 20 | 7,5 | 5,5 | M220 - 61 ... - 220V1 |
| | | | 25 | 11 | 7,5 | M225 - 61 ... - 220V1 |
| | 1 ... 24 | T200 | 32 | 15 | 11 | T225 - 61 ... - 220V1 |

SMD modules for basic switch

Mounting form module for 219V1/ 220V1

M200 / T200

BFB2 - 219

V-operator module 48 x 48 mm, mounting form 219V1
Escutcheon black, handle black

2DV1 - 12

V-operator module 48 x 48 mm, mounting form 220V1
Escutcheon black, handle black

2DV1 - 99

Legend plate silver, operator module 219V1/ 220V1

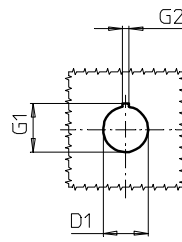
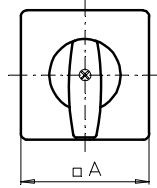
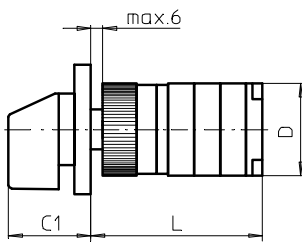
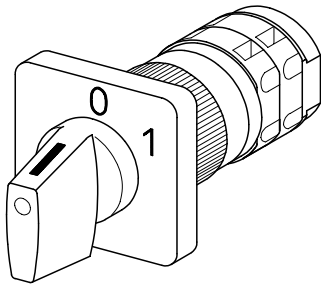
FAS2 - (FA number)

Dimensions (mm)

| Product lines | A | C1 | D | D1 | G1 | G2 | L with ... stages (max. 12) | | | | | | | each add. stage |
|---------------|----|----|----|------|------|-----|-----------------------------|----|----|-----|-----|-----|-----|--------------------|
| | | | | | | | 1 | 2 | 3 | 4 | 5 | 6 | 7 | |
| M220 | 48 | 32 | 46 | 22,5 | 24,2 | 3,2 | 59 | 69 | 79 | 89 | 99 | 109 | 119 | 10 |
| M221 | 48 | 32 | 46 | 22,5 | 24,2 | 3,2 | 62 | 75 | 88 | 101 | 114 | 127 | 140 | 13 |
| M225 | 48 | 32 | 48 | 22,5 | 24,2 | 3,2 | 62 | 75 | 88 | 101 | 114 | 127 | 140 | 13 |
| T225 | 48 | 32 | 50 | 22,5 | 24,2 | 3,2 | 64 | 79 | 94 | 109 | 124 | 139 | 154 | 15 |

Front Mounting Switches

sälzer



Product lines
M200 / T200

Front mounting switch
Operator module of next size

Single hole mounting
ø 22,5 mm

214M1 (IP66)

| Complete switch | Poles | Product line | Rated data (IEC 60947) | | | Order code number |
|--|----------|--------------|------------------------------------|--------------------------------|------------|------------------------------|
| | | | Operational current I _e | Operational power at 380–440 V | | |
| | | | AC-21A A | AC-23A kW | AC-3 kW | |
| Rotary Cam Switches Switching angle 30°/45°/60°/90° | 1 ... 24 | M200 | 20 | 7,5 | 5,5 | M220 - 61 ... - 214M1 |
| | | | 25 | 11 | 7,5 | M225 - 61 ... - 214M1 |
| | 1 ... 24 | T200 | 32 | 15 | 11 | T225 - 61 ... - 214M1 |

SMD modules for basic switch

Mounting form module for 214M1

M200 / T200

BFB2 - 219

M-operator module 64 x 64 mm, mounting form 214M1

2KM1

Escutcheon black, handle black

Legend plate silver, operator module 214M1

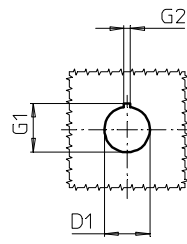
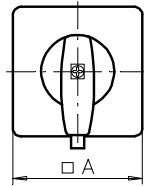
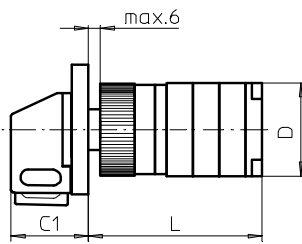
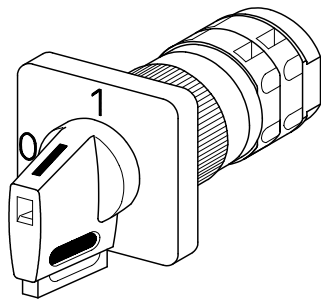
FAS4- (FA number)

Dimensions (mm)

| Product lines | A | C1 | D | D1 | G1 | G2 | L with ... stages (max. 12) | | | | | | | each add. stage |
|---------------|----|----|----|------|------|-----|-----------------------------|----|----|-----|-----|-----|-----|-----------------|
| | | | | | | | 1 | 2 | 3 | 4 | 5 | 6 | 7 | |
| M220 | 64 | 39 | 46 | 22,5 | 24,2 | 3,2 | 59 | 69 | 79 | 89 | 99 | 109 | 119 | 10 |
| M221 | 64 | 39 | 46 | 22,5 | 24,2 | 3,2 | 62 | 75 | 88 | 101 | 114 | 127 | 140 | 13 |
| M225 | 64 | 39 | 48 | 22,5 | 24,2 | 3,2 | 62 | 75 | 88 | 101 | 114 | 127 | 140 | 13 |
| T225 | 64 | 39 | 50 | 22,5 | 24,2 | 3,2 | 64 | 79 | 94 | 109 | 124 | 139 | 154 | 15 |

Front Mounting Switches

sälzer



Product lines
M200 / T200

Front mounting switch
Operator module of next size

Single hole mounting
ø 22,5 mm

214V1 (IP66)
213V1 (IP66)

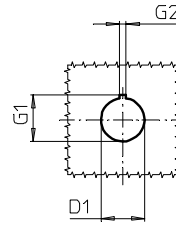
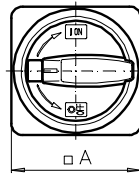
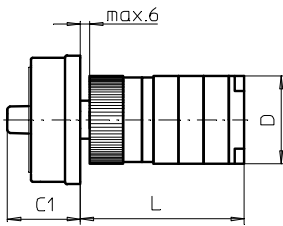
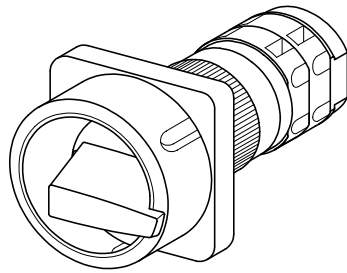
| Complete switch | Poles | Product line | Rated data (IEC 60947) | | | Order code number |
|--|----------|--------------|------------------------------------|--------------------------------|------------|------------------------------|
| | | | Operational current I _e | Operational power at 380–440 V | | |
| | | | AC-21A A | AC-23A kW | AC-3 kW | |
| Rotary Cam Switches Switching angle 30°/45°/60°/90° Padlockable 12h | 1 ... 24 | M200 | 20 | 7,5 | 5,5 | M220 - 61 ... - 214V1 |
| | | | 25 | 11 | 7,5 | M225 - 61 ... - 214V1 |
| | 1 ... 24 | T200 | 32 | 15 | 11 | T225 - 61 ... - 214V1 |
| Rotary Cam Switches Switching angle 90° 3 positions padlockable (09h/12h/03h) | 1 ... 24 | M200 | 20 | 7,5 | 5,5 | M220 - 61 ... - 213V1 |
| | | | 25 | 11 | 7,5 | M225 - 61 ... - 213V1 |
| | 1 ... 24 | T200 | 32 | 15 | 11 | T225 - 61 ... - 213V1 |

| SMD modules for basic switch | | | |
|---|--|-------------|--------------------------------|
| Mounting form module for 214V1/ 213V1 | | M200 / T200 | BFB2 - 219 |
| V-operator module 64 x 64 mm, mounting form 214V1 Escutcheon black, handle black | | | 2KV1 - 12 |
| V-operator module 64 x 64 mm, mounting form 213V1 Escutcheon black, handle black | | | 2KV1 - 99 |
| Legend plate silver, operator module 214V1/ 213V1 | | | FAS4 - (FA number) |

| Dimensions (mm) | | | | | | | | | | | | | | |
|-----------------|----|----|----|------|------|-----|-----------------------------|----|----|-----|-----|-----|-----|--------------------|
| Product lines | A | C1 | D | D1 | G1 | G2 | L with ... stages (max. 12) | | | | | | | each add. stage |
| | | | | | | | 1 | 2 | 3 | 4 | 5 | 6 | 7 | |
| M220 | 64 | 39 | 46 | 22,5 | 24,2 | 3,2 | 59 | 69 | 79 | 89 | 99 | 109 | 119 | 10 |
| M221 | 64 | 39 | 46 | 22,5 | 24,2 | 3,2 | 62 | 75 | 88 | 101 | 114 | 127 | 140 | 13 |
| M225 | 64 | 39 | 48 | 22,5 | 24,2 | 3,2 | 62 | 75 | 88 | 101 | 114 | 127 | 140 | 13 |
| T225 | 64 | 39 | 50 | 22,5 | 24,2 | 3,2 | 64 | 79 | 94 | 109 | 124 | 139 | 154 | 15 |

Front Mounting Switches

sälzer



Product lines
M200 / T200

Front mounting switch

Single hole mounting
ø 22,5 mm

206M1 (IP66)
206M4 (IP66)

| Complete switch | Poles | Product line | Rated data (IEC 60947) | | | Order code number |
|--|----------|--------------|------------------------------------|--------------------------------|------------|------------------------------|
| | | | Operational current I _e | Operational power at 380–440 V | | |
| | | | AC-21A A | AC-23A kW | AC-3 kW | |
| Main Switches Switching angle 90° OFF position padlockable 09h | 1 ... 24 | M200 | 20 | 7,5 | 5,5 | M220 - 61 ... - 206M1 |
| | | | 25 | 11 | 7,5 | M225 - 61 ... - 206M1 |
| | 1 ... 24 | T200 | 32 | 15 | 11 | T225 - 61 ... - 206M1 |
| Main/Emergency-Off Switches Switching angle 90° OFF position padlockable 09h | 1 ... 24 | M200 | 20 | 7,5 | 5,5 | M220 - 61 ... - 206M4 |
| | | | 25 | 11 | 7,5 | M225 - 61 ... - 206M4 |
| | 1 ... 24 | T200 | 32 | 15 | 11 | T225 - 61 ... - 206M4 |

SMD modules for basic switch

Mounting form module for 206M.

M200 / T200

BFB2 - 219

M-padlock device 67 x 67 mm, mounting form 206M1
Escutcheon black, padlockable handle black

2FM1

M-padlock device 67 x 67 mm, mounting form 206M4
Escutcheon yellow, padlockable handle red

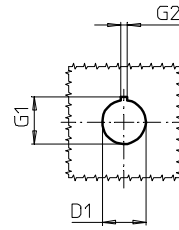
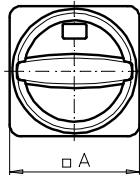
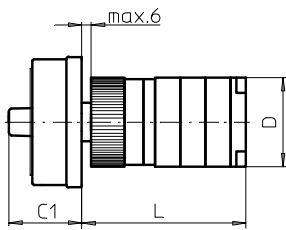
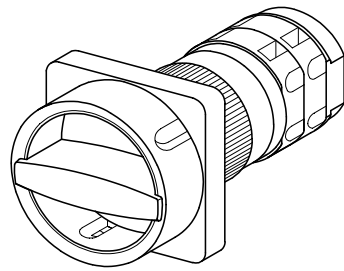
2FM4

Dimensions (mm)

| Product lines | A | C1 | D | D1 | G1 | G2 | L with ... stages (max. 12) | | | | | | | each add. stage |
|---------------|----|----|----|------|------|-----|-----------------------------|----|----|-----|-----|-----|-----|--------------------|
| | | | | | | | 1 | 2 | 3 | 4 | 5 | 6 | 7 | |
| M220 | 67 | 38 | 46 | 22,5 | 24,2 | 3,2 | 59 | 69 | 79 | 89 | 99 | 109 | 119 | 10 |
| M221 | 67 | 38 | 46 | 22,5 | 24,2 | 3,2 | 62 | 75 | 88 | 101 | 114 | 127 | 140 | 13 |
| M225 | 67 | 38 | 48 | 22,5 | 24,2 | 3,2 | 62 | 75 | 88 | 101 | 114 | 127 | 140 | 13 |
| T225 | 67 | 38 | 50 | 22,5 | 24,2 | 3,2 | 64 | 79 | 94 | 109 | 124 | 139 | 154 | 15 |

Front Mounting Switches

sälzer



Product lines
M200 / T200

Front mounting switch

Single hole mounting
ø 22,5 mm

206N1 (IP66)
206N4 (IP66)

| Complete switch | Poles | Product line | Rated data (IEC 60947) | | | Order code number |
|--|----------|--------------|------------------------------------|--------------------------------|------------|------------------------------|
| | | | Operational current I _e | Operational power at 380–440 V | | |
| | | | AC-21A A | AC-23A kW | AC-3 kW | |
| Main Switches Switching angle 90° OFF position padlockable 09h | 1 ... 24 | M200 | 20 | 7,5 | 5,5 | M220 - 61 ... - 206N1 |
| | | | 25 | 11 | 7,5 | M225 - 61 ... - 206N1 |
| | 1 ... 24 | T200 | 32 | 15 | 11 | T225 - 61 ... - 206N1 |
| Main/Emergency-Off Switches Switching angle 90° OFF position padlockable 09h | 1 ... 24 | M200 | 20 | 7,5 | 5,5 | M220 - 61 ... - 206N4 |
| | | | 25 | 11 | 7,5 | M225 - 61 ... - 206N4 |
| | 1 ... 24 | T200 | 32 | 15 | 11 | T225 - 61 ... - 206N4 |

SMD modules for basic switch

Mounting form module for 206N.

M200 / T200

BFB2 - 219

M-padlock device 67 x 67 mm, mounting form 206M1
Escutcheon black, padlockable handle black

2FN1

M-padlock device 67 x 67 mm, mounting form 206M4
Escutcheon yellow, padlockable handle red

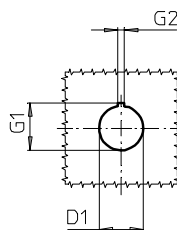
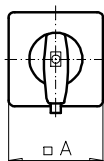
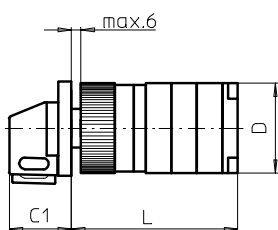
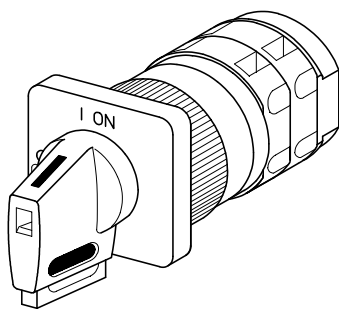
2FN4

Dimensions (mm)

| Product lines | A | C1 | D | D1 | G1 | G2 | L with ... stages (max. 12) | | | | | | | each add. stage |
|---------------|----|----|----|------|------|-----|-----------------------------|----|----|-----|-----|-----|-----|--------------------|
| | | | | | | | 1 | 2 | 3 | 4 | 5 | 6 | 7 | |
| M220 | 67 | 33 | 46 | 22,5 | 24,2 | 3,2 | 59 | 69 | 79 | 89 | 99 | 109 | 119 | 10 |
| M221 | 67 | 33 | 46 | 22,5 | 24,2 | 3,2 | 62 | 75 | 88 | 101 | 114 | 127 | 140 | 13 |
| M225 | 67 | 33 | 48 | 22,5 | 24,2 | 3,2 | 62 | 75 | 88 | 101 | 114 | 127 | 140 | 13 |
| T225 | 67 | 33 | 50 | 22,5 | 24,2 | 3,2 | 64 | 79 | 94 | 109 | 124 | 139 | 154 | 15 |

Front Mounting Switches

sälzer



Product lines
M200 / T200

Front mounting switch

Single hole mounting
ø 22,5 mm

206V1 (IP66)
206V4 (IP66)

| Complete switch | Poles | Product line | Rated data (IEC 60947) | | | Order code number |
|------------------------------|----------|--------------|------------------------------------|--------------------------------|------------|------------------------------|
| | | | Operational current I _e | Operational power at 380–440 V | | |
| | | | AC-21A A | AC-23A kW | AC-3 kW | |
| Main Switches | 1 ... 24 | M200 | 20 | 7,5 | 5,5 | M220 - 61 ... - 206V1 |
| Switching angle 90° | | | 25 | 11 | 7,5 | M225 - 61 ... - 206V1 |
| OFF position padlockable 09h | 1 ... 24 | T200 | 32 | 15 | 11 | T225 - 61 ... - 206V1 |
| Main/Emergency-Off Switches | 1 ... 24 | M200 | 20 | 7,5 | 5,5 | M220 - 61 ... - 206V4 |
| Switching angle 90° | | | 25 | 11 | 7,5 | M225 - 61 ... - 206V4 |
| OFF position padlockable 09h | 1 ... 24 | T200 | 32 | 15 | 11 | T225 - 61 ... - 206V4 |

SMD modules for basic switch

Mounting form module for 206V.

M200 / T200

BFB2 - 219

V-operator module 48 x 48 mm, mounting form 206V1
Escutcheon black, handle black

2DV1 - 09

Legend plate silver, operator module 206V1

FAS2 - (FA number)

V-operator module 48 x 48 mm, mounting form 206V4
Escutcheon black, handle red

2DV4 - 09

Legend plate yellow, operator module 206V4

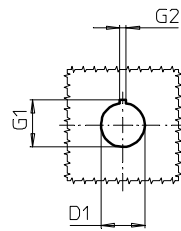
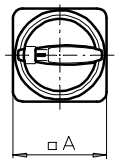
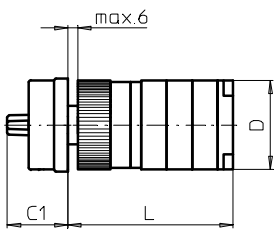
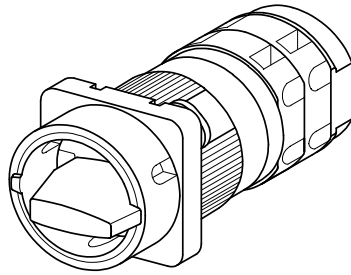
FBS2 - (FA number)

Dimensions (mm)

| Product lines | A | C1 | D | D1 | G1 | G2 | L with ... stages (max. 12) | | | | | | | each add. stage |
|---------------|----|----|----|------|------|-----|-----------------------------|----|----|-----|-----|-----|-----|--------------------|
| | | | | | | | 1 | 2 | 3 | 4 | 5 | 6 | 7 | |
| M220 | 48 | 32 | 46 | 22,5 | 24,2 | 3,2 | 59 | 69 | 79 | 89 | 99 | 109 | 119 | 10 |
| M221 | 48 | 32 | 46 | 22,5 | 24,2 | 3,2 | 62 | 75 | 88 | 101 | 114 | 127 | 140 | 13 |
| M225 | 48 | 32 | 48 | 22,5 | 24,2 | 3,2 | 62 | 75 | 88 | 101 | 114 | 127 | 140 | 13 |
| T225 | 48 | 32 | 50 | 22,5 | 24,2 | 3,2 | 64 | 79 | 94 | 109 | 124 | 139 | 154 | 15 |

Front Mounting Switches

sälzer



Product lines
M200 / T200

Front mounting switch

Single hole mounting
ø 22,5 mm

205M1 (IP66)
205M4 (IP66)

| Complete switch | Poles | Product line | Rated data (IEC 60947) | | | Order code number |
|------------------------------|----------|--------------|------------------------------------|--------------------------------|------------|------------------------------|
| | | | Operational current I _e | Operational power at 380–440 V | | |
| | | | AC-21A A | AC-23A kW | AC-3 kW | |
| Main Switches | 1 ... 24 | M200 | 20 | 7,5 | 5,5 | M220 - 61 ... - 205M1 |
| Switching angle 90° | | | 25 | 11 | 7,5 | M225 - 61 ... - 205M1 |
| OFF position padlockable 09h | 1 ... 24 | T200 | 32 | 15 | 11 | T225 - 61 ... - 205M1 |
| Main/Emergency-Off Switches | 1 ... 24 | M200 | 20 | 7,5 | 5,5 | M220 - 61 ... - 205M4 |
| Switching angle 90° | | | 25 | 11 | 7,5 | M225 - 61 ... - 205M4 |
| OFF position padlockable 09h | 1 ... 24 | T200 | 32 | 15 | 11 | T225 - 61 ... - 205M4 |

SMD modules for basic switch

Mounting form module for 205M.

M200 / T200

BFB2 - 219

M-padlock device 48 x 48 mm, mounting form 205M1
Escutcheon black, padlockable handle black

2EM1

M-padlock device 48 x 48 mm, mounting form 205M4
Escutcheon yellow, padlockable handle red

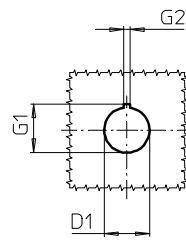
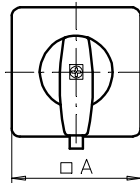
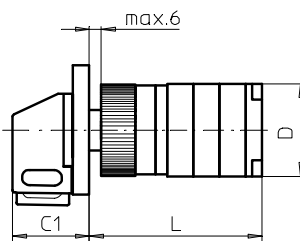
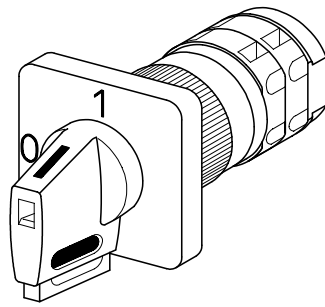
2EM4

Dimensions (mm)

| Product lines | A | C1 | D | D1 | G1 | G2 | L with ... stages (max. 12) | | | | | | | each add. stage |
|---------------|----|----|----|------|------|-----|-----------------------------|----|----|-----|-----|-----|-----|--------------------|
| | | | | | | | 1 | 2 | 3 | 4 | 5 | 6 | 7 | |
| M220 | 48 | 31 | 46 | 22,5 | 24,2 | 3,2 | 59 | 69 | 79 | 89 | 99 | 109 | 119 | 10 |
| M221 | 48 | 31 | 46 | 22,5 | 24,2 | 3,2 | 62 | 75 | 88 | 101 | 114 | 127 | 140 | 13 |
| M225 | 48 | 31 | 48 | 22,5 | 24,2 | 3,2 | 62 | 75 | 88 | 101 | 114 | 127 | 140 | 13 |
| T225 | 48 | 31 | 50 | 22,5 | 24,2 | 3,2 | 64 | 79 | 94 | 109 | 124 | 139 | 154 | 15 |

Front Mounting Switches

sälzer



Product lines
M200 / T200

Front mounting switch
Operator module of next size

Single hole mounting
ø 22,5 mm

226V1 (IP66)
226V4 (IP66)

| Complete switch | Poles | Product line | Rated data (IEC 60947) | | | Order code number |
|------------------------------|----------|--------------|------------------------------------|--------------------------------|------------|------------------------------|
| | | | Operational current I _e | Operational power at 380–440 V | | |
| | | | AC-21A A | AC-23A kW | AC-3 kW | |
| Main Switches | 1 ... 24 | M200 | 20 | 7,5 | 5,5 | M220 - 61 ... - 226V1 |
| Switching angle 90° | | | 25 | 11 | 7,5 | M225 - 61 ... - 226V1 |
| OFF position padlockable 09h | 1 ... 24 | T200 | 32 | 15 | 11 | T225 - 61 ... - 226V1 |
| Main/Emergency-Off Switches | 1 ... 24 | M200 | 20 | 7,5 | 5,5 | M220 - 61 ... - 226V4 |
| Switching angle 90° | | | 25 | 11 | 7,5 | M225 - 61 ... - 226V4 |
| OFF position padlockable 09h | 1 ... 24 | T200 | 32 | 15 | 11 | T225 - 61 ... - 226V4 |

SMD modules for basic switch

Mounting form module for 226V.

M200 / T200

BFB2 - 219

V-operator module 64 x 64 mm, mounting form 226V1
Escutcheon black, handle black

2KV1 - 09

Legend plate silver, operator module 226V1

FAS4 - (FA number)

V-operator module 64 x 64 mm, mounting form 226V4
Escutcheon black, handle red

2KV4 - 09

Legend plate yellow, operator module 226V4

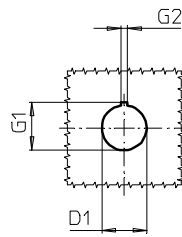
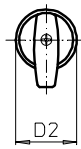
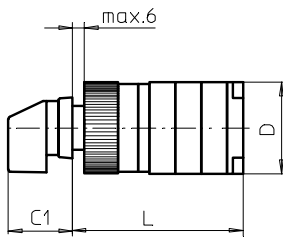
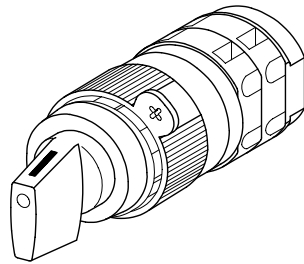
FBS4 - (FA number)

Dimensions (mm)

| Product lines | A | C1 | D | D1 | G1 | G2 | L with ... stages (max. 12) | | | | | | | each add. stage |
|---------------|----|----|----|------|------|-----|-----------------------------|----|----|-----|-----|-----|-----|-----------------|
| | | | | | | | 1 | 2 | 3 | 4 | 5 | 6 | 7 | |
| M220 | 64 | 39 | 46 | 22,5 | 24,2 | 3,2 | 59 | 69 | 79 | 89 | 99 | 109 | 119 | 10 |
| M221 | 64 | 39 | 46 | 22,5 | 24,2 | 3,2 | 62 | 75 | 88 | 101 | 114 | 127 | 140 | 13 |
| M225 | 64 | 39 | 48 | 22,5 | 24,2 | 3,2 | 62 | 75 | 88 | 101 | 114 | 127 | 140 | 13 |
| T225 | 64 | 39 | 50 | 22,5 | 24,2 | 3,2 | 64 | 79 | 94 | 109 | 124 | 139 | 154 | 15 |

Front Mounting Switches

sälzer



Product lines
M200 / T200

Front mounting switch
With front ring

Single hole mounting
ø 22,5 mm

218M1 (IP66)

| Complete switch | Poles | Product line | Rated data (IEC 60947) | | | Order code number |
|--|----------|--------------|------------------------------------|--------------------------------|------------|------------------------------|
| | | | Operational current I _e | Operational power at 380–440 V | | |
| | | | AC-21A A | AC-23A kW | AC-3 kW | |
| Rotary Cam Switches Switching angle 30°/45°/60°/90° | 1 ... 24 | M200 | 20 | 7,5 | 5,5 | M220 - 61 ... - 218M1 |
| | | | 25 | 11 | 7,5 | M225 - 61 ... - 218M1 |
| | 1 ... 24 | T200 | 32 | 15 | 11 | T225 - 61 ... - 218M1 |

SMD modules for basic switch

Mounting form module for 218M1

M200 / T200

BFB2 - 219

Front ring black ø 30,5 mm, M-handle black, mounting form 218M1
(Front ring without legend)

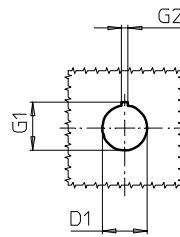
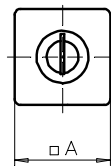
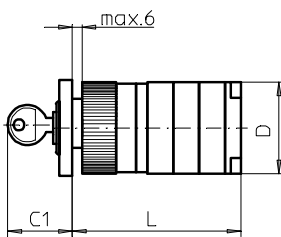
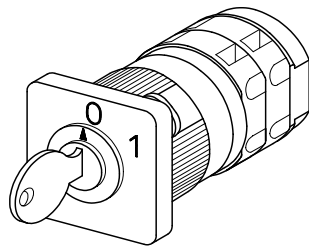
2HM1

Dimensions (mm)

| Product lines | C1 | D | D1 | D2 | G1 | G2 | L with ... stages (max. 12) | | | | | | | each add. stage |
|---------------|----|----|------|------|------|-----|-----------------------------|----|----|-----|-----|-----|-----|--------------------|
| | | | | | | | 1 | 2 | 3 | 4 | 5 | 6 | 7 | |
| M220 | 32 | 46 | 22,5 | 30,5 | 24,2 | 3,2 | 59 | 69 | 79 | 89 | 99 | 109 | 119 | 10 |
| M221 | 32 | 46 | 22,5 | 30,5 | 24,2 | 3,2 | 62 | 75 | 88 | 101 | 114 | 127 | 140 | 13 |
| M225 | 32 | 48 | 22,5 | 30,5 | 24,2 | 3,2 | 62 | 75 | 88 | 101 | 114 | 127 | 140 | 13 |
| T225 | 32 | 50 | 22,5 | 30,5 | 24,2 | 3,2 | 64 | 79 | 94 | 109 | 124 | 139 | 154 | 15 |

Front Mounting Switches

sälzer



Product lines
M200 / T200

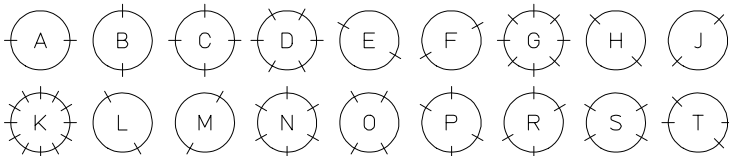
Front mounting switch
Key operated

Single hole mounting
ø 22,5 mm

S001. (IP40)

| Complete switch | Poles | Product line | Rated data (IEC 60947) | | | Order code number |
|--|----------|--------------|------------------------------------|--------------------------------|------------|------------------------------|
| | | | Operational current I _e | Operational power at 380–440 V | | |
| | | | AC-21A A | AC-23A kW | AC-3 kW | |
| Rotary Cam Switches Switching angle 30°/45°/60°/90° | 1 ... 16 | M200 | 20 | 7,5 | 5,5 | M220 - 61 ... - S001. |
| | 1 ... 12 | T200 | 25 | 11 | 7,5 | M225 - 61 ... - S001. |
| | | | 32 | 15 | 11 | T225 - 61 ... - S001. |

The dot in the order code number of the complete mounting form/operator module must be replaced by the classification letter which identifies the key removable positions:



Lines indicate the key removable positions.

SMD modules for basic switch

Mounting form module for S001.

M200 / T200

BFA2 - S

Operator module 48 x 48 mm, mounting form S001.

2AS1-001.

Escutcheon black, Ronis lock C001, 2 keys

Legend plate silver, operator module S001.

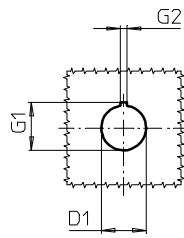
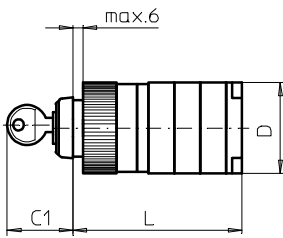
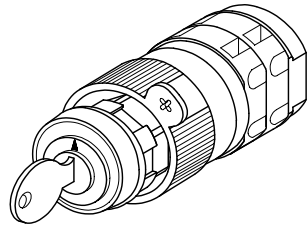
FAS2 - (FA number)

Dimensions (mm)

| Product lines | A | C1 | D | D1 | G1 | G2 | L with ... stages | | | | | | | |
|---------------|----|----|----|------|------|-----|-------------------|----|----|-----|-----|-----|-----|-----|
| | | | | | | | 1 | 2 | 3 | 4 | 5 | 6 | 7 | 8 |
| M220 | 48 | 33 | 46 | 22,5 | 24,2 | 3,2 | 59 | 69 | 79 | 89 | 99 | 109 | 119 | 129 |
| M221 | 48 | 33 | 46 | 22,5 | 24,2 | 3,2 | 62 | 75 | 88 | 101 | 114 | 127 | 140 | 153 |
| M225 | 48 | 33 | 48 | 22,5 | 24,2 | 3,2 | 62 | 75 | 88 | 101 | 114 | 127 | 140 | 153 |
| T225 | 48 | 33 | 50 | 22,5 | 24,2 | 3,2 | 64 | 79 | 94 | 109 | 124 | 139 | - | - |

Front Mounting Switches

sälzer



**Product lines
M200 / T200**

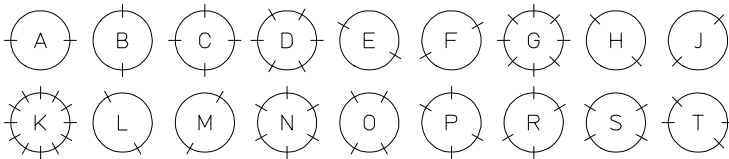
Front mounting switch
With front ring
Key operated

Single hole mounting
ø 22,5 mm

R001. (IP40)

| Complete switch | Poles | Product line | Rated data (IEC 60947) | | | Order code number |
|--|----------|--------------|------------------------------------|--------------------------------|------------|------------------------------|
| | | | Operational current I _e | Operational power at 380–440 V | | |
| | | | AC-21A A | AC-23A kW | AC-3 kW | |
| Rotary Cam Switches Switching angle 30°/45°/60°/90° | 1 ... 16 | M200 | 20 | 7,5 | 5,5 | M220 - 61 ... - R001. |
| | | | 25 | 11 | 7,5 | M225 - 61 ... - R001. |
| | 1 ... 12 | T200 | 32 | 15 | 11 | T225 - 61 ... - R001. |

The dot in the order code number of the complete mounting form/operator module must be replaced by the classification letter which identifies the key removable positions:



Lines indicate the key removable positions.

SMD modules for basic switch

Mounting form module for R001.

M200 / T200

BFA2 - S

Front ring black ø 30,5 mm, mounting form R001.

2BS1-001.

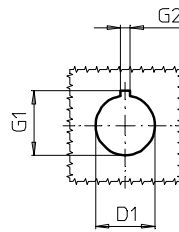
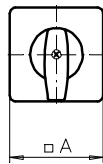
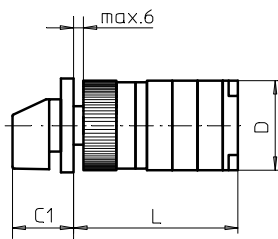
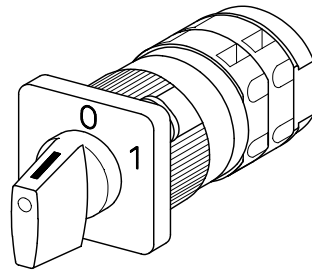
Ronis lock C001, 2 keys
(Front ring without legend)

Dimensions (mm)

| Product lines | C1 | D | D1 | D2 | G1 | G2 | L with ... stages | | | | | | | |
|---------------|----|----|------|------|------|-----|-------------------|----|----|-----|-----|-----|-----|-----|
| | | | | | | | 1 | 2 | 3 | 4 | 5 | 6 | 7 | 8 |
| M220 | 33 | 46 | 22,5 | 30,5 | 24,2 | 3,2 | 59 | 69 | 79 | 89 | 99 | 109 | 119 | 129 |
| M221 | 33 | 46 | 22,5 | 30,5 | 24,2 | 3,2 | 62 | 75 | 88 | 101 | 114 | 127 | 140 | 153 |
| M225 | 33 | 48 | 22,5 | 30,5 | 24,2 | 3,2 | 62 | 75 | 88 | 101 | 114 | 127 | 140 | 153 |
| T225 | 33 | 50 | 22,5 | 30,5 | 24,2 | 3,2 | 64 | 79 | 94 | 109 | 124 | 139 | - | - |

Front Mounting Switches

sälzer



Product lines
M200 / T200

Front mounting switch

Single hole mounting
ø 30,5 mm

209M1 (IP66)

| Complete switch | Poles | Product line | Rated data (IEC 60947) | | | Order code number |
|--|----------|--------------|------------------------------------|--------------------------------|------------|------------------------------|
| | | | Operational current I _e | Operational power at 380–440 V | | |
| | | | AC-21A A | AC-23A kW | AC-3 kW | |
| Rotary Cam Switches Switching angle 30°/45°/60°/90° | 1 ... 24 | M200 | 20 | 7,5 | 5,5 | M220 - 61 ... - 209M1 |
| | | | 25 | 11 | 7,5 | M225 - 61 ... - 209M1 |
| | 1 ... 24 | T200 | 32 | 15 | 11 | T225 - 61 ... - 209M1 |

SMD modules for basic switch

Mounting form module for 209M1

M200 / T200

BFB2 - 219

M-operator module 48 x 48 mm, mounting form 209M1

2DM1 - 30

Escutcheon black, handle black

Legend plate silver, operator module 209M1

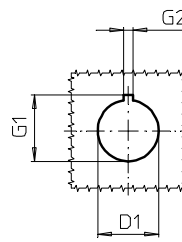
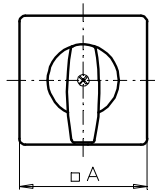
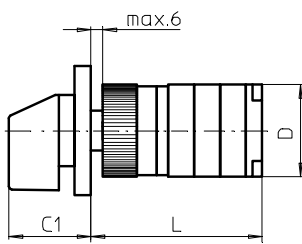
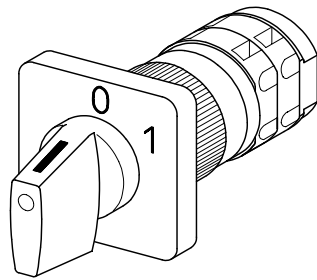
FAS2 - (FA number)

Dimensions (mm)

| Product lines | A | C1 | D | D1 | G1 | G2 | L with ... stages (max. 12) | | | | | | | each add. stage |
|---------------|----|----|----|------|----|-----|-----------------------------|----|----|-----|-----|-----|-----|--------------------|
| | | | | | | | 1 | 2 | 3 | 4 | 5 | 6 | 7 | |
| M220 | 48 | 32 | 46 | 30,5 | 33 | 4,8 | 59 | 69 | 79 | 89 | 99 | 109 | 119 | 10 |
| M221 | 48 | 32 | 46 | 30,5 | 33 | 4,8 | 62 | 75 | 88 | 101 | 114 | 127 | 140 | 13 |
| M225 | 48 | 32 | 48 | 30,5 | 33 | 4,8 | 62 | 75 | 88 | 101 | 114 | 127 | 140 | 13 |
| T225 | 48 | 32 | 50 | 30,5 | 33 | 4,8 | 64 | 79 | 94 | 109 | 124 | 139 | 154 | 15 |

Front Mounting Switches

sälzer



Product lines
M200 / T200

Front mounting switch
Operator module of next size

Single hole mounting
ø 30,5 mm

204M1 (IP66)

| Complete switch | Poles | Product line | Rated data (IEC 60947) | | | Order code number |
|--|----------|--------------|------------------------------------|--------------------------------|------------|------------------------------|
| | | | Operational current I _e | Operational power at 380–440 V | | |
| | | | AC-21A A | AC-23A kW | AC-3 kW | |
| Rotary Cam Switches Switching angle 30°/45°/60°/90° | 1 ... 24 | M200 | 20 | 7,5 | 5,5 | M220 - 61 ... - 204M1 |
| | | | 25 | 11 | 7,5 | M225 - 61 ... - 204M1 |
| | 1 ... 24 | T200 | 32 | 15 | 11 | T225 - 61 ... - 204M1 |

SMD modules for basic switch

Mounting form module for 204M1

M-operator module 64 x 64 mm, mounting form 204M1

Escutcheon black, handle black

Legend plate silver, operator module 204M1

M200 / T200

BFB2 - 219

2KM1 - 30

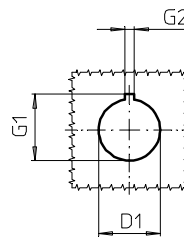
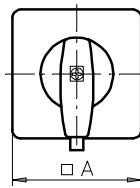
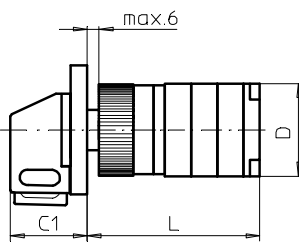
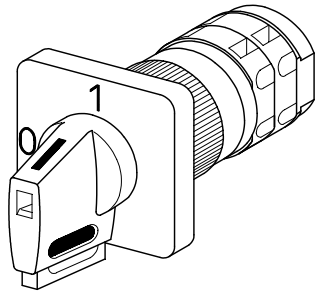
FAS4- (FA number)

Dimensions (mm)

| Product lines | A | C1 | D | D1 | G1 | G2 | L with ... stages (max. 12) | | | | | | | each add. stage |
|---------------|----|----|----|------|----|-----|-----------------------------|----|----|-----|-----|-----|-----|--------------------|
| | | | | | | | 1 | 2 | 3 | 4 | 5 | 6 | 7 | |
| M220 | 64 | 39 | 46 | 30,5 | 33 | 4,8 | 59 | 69 | 79 | 89 | 99 | 109 | 119 | 10 |
| M221 | 64 | 39 | 46 | 30,5 | 33 | 4,8 | 62 | 75 | 88 | 101 | 114 | 127 | 140 | 13 |
| M225 | 64 | 39 | 48 | 30,5 | 33 | 4,8 | 62 | 75 | 88 | 101 | 114 | 127 | 140 | 13 |
| T225 | 64 | 39 | 50 | 30,5 | 33 | 4,8 | 64 | 79 | 94 | 109 | 124 | 139 | 154 | 15 |

Front Mounting Switches

sälzer



Product lines
M200 / T200

Front mounting switch
Operator module of next size

Single hole mounting
ø 30,5 mm

204V1 (IP66)
203V1 (IP66)

| Complete switch | Poles | Product line | Rated data (IEC 60947) | | | Order code number |
|--|----------|--------------|------------------------------------|--------------------------------|------------|------------------------------|
| | | | Operational current I _e | Operational power at 380–440 V | | |
| | | | AC-21A A | AC-23A kW | AC-3 kW | |
| Rotary Cam Switches Switching angle 30°/45°/60°/90° Padlockable 12h | 1 ... 24 | M200 | 20 | 7,5 | 5,5 | M220 - 61 ... - 204V1 |
| | | | 25 | 11 | 7,5 | M225 - 61 ... - 204V1 |
| | 1 ... 24 | T200 | 32 | 15 | 11 | T225 - 61 ... - 204V1 |
| Rotary Cam Switches Switching angle 90° 3 positions padlockable (09h/12h/03h) | 1 ... 24 | M200 | 20 | 7,5 | 5,5 | M220 - 61 ... - 203V1 |
| | | | 25 | 11 | 7,5 | M225 - 61 ... - 203V1 |
| | 1 ... 24 | T200 | 32 | 15 | 11 | T225 - 61 ... - 203V1 |

SMD modules for basic switch

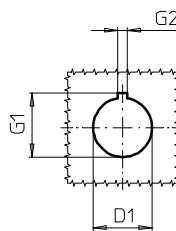
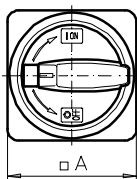
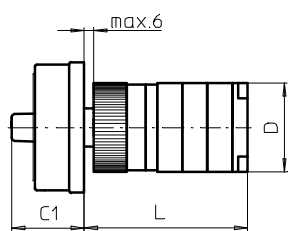
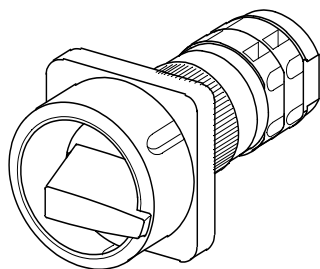
| | | |
|---|-------------|--------------------------------|
| Mounting form module for 204V1/ 203V1 | M200 / T200 | BFB2 - 219 |
| V-operator module 64 x 64 mm, mounting form 204V1 Escutcheon black, handle black | | 2KV1 - 1230 |
| V-operator module 64 x 64 mm, mounting form 203V1 Escutcheon black, handle black | | 2KV1 - 9930 |
| Legend plate silver, operator module 204V1/ 203V1 | | FAS4 - (FA number) |

Dimensions (mm)

| Product lines | A | C1 | D | D1 | G1 | G2 | L with ... stages (max. 12) | | | | | | | each add. stage |
|---------------|----|----|----|------|----|-----|-----------------------------|----|----|-----|-----|-----|-----|--------------------|
| | | | | | | | 1 | 2 | 3 | 4 | 5 | 6 | 7 | |
| M220 | 64 | 39 | 46 | 30,5 | 33 | 4,8 | 59 | 69 | 79 | 89 | 99 | 109 | 119 | 10 |
| M221 | 64 | 39 | 46 | 30,5 | 33 | 4,8 | 62 | 75 | 88 | 101 | 114 | 127 | 140 | 13 |
| M225 | 64 | 39 | 48 | 30,5 | 33 | 4,8 | 62 | 75 | 88 | 101 | 114 | 127 | 140 | 13 |
| T225 | 64 | 39 | 50 | 30,5 | 33 | 4,8 | 64 | 79 | 94 | 109 | 124 | 139 | 154 | 15 |

Front Mounting Switches

sälzer



Product lines
M200 / T200

Front mounting switch

Single hole mounting
ø 30,5 mm

216M1 (IP66)
216M4 (IP66)

| Complete switch | Poles | Product line | Rated data (IEC 60947) | | | Order code number |
|------------------------------|----------|--------------|------------------------------------|--------------------------------|------------|------------------------------|
| | | | Operational current I _e | Operational power at 380–440 V | | |
| | | | AC-21A A | AC-23A kW | AC-3 kW | |
| Main Switches | 1 ... 24 | M200 | 20 | 7,5 | 5,5 | M220 - 61 ... - 216M1 |
| Switching angle 90° | | | 25 | 11 | 7,5 | M225 - 61 ... - 216M1 |
| OFF position padlockable 09h | 1 ... 24 | T200 | 32 | 15 | 11 | T225 - 61 ... - 216M1 |
| Main/Emergency-Off Switches | 1 ... 24 | M200 | 20 | 7,5 | 5,5 | M220 - 61 ... - 216M4 |
| Switching angle 90° | | | 25 | 11 | 7,5 | M225 - 61 ... - 216M4 |
| OFF position padlockable 09h | 1 ... 24 | T200 | 32 | 15 | 11 | T225 - 61 ... - 216M4 |

SMD modules for basic switch

Mounting form module for 216M.

M200 / T200

BFB2 - 219

M-padlock device 67 x 67 mm, mounting form 216M1
Escutcheon black, padlockable handle black

2FM1 - 30

M-padlock device 67 x 67 mm, mounting form 216M4
Escutcheon yellow, padlockable handle red

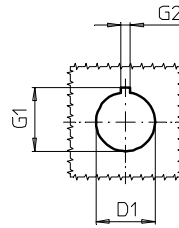
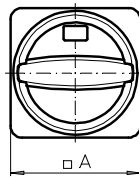
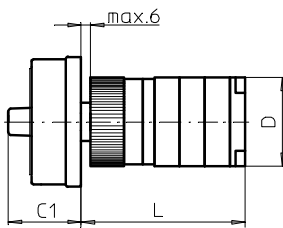
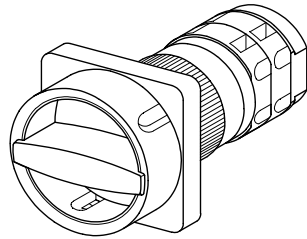
2FM4 - 30

Dimensions (mm)

| Product lines | A | C1 | D | D1 | G1 | G2 | L with ... stages (max. 12) | | | | | | | each add. stage |
|---------------|----|----|----|------|----|-----|-----------------------------|----|----|-----|-----|-----|-----|--------------------|
| | | | | | | | 1 | 2 | 3 | 4 | 5 | 6 | 7 | |
| M220 | 67 | 38 | 46 | 30,5 | 33 | 4,8 | 59 | 69 | 79 | 89 | 99 | 109 | 119 | 10 |
| M221 | 67 | 38 | 46 | 30,5 | 33 | 4,8 | 62 | 75 | 88 | 101 | 114 | 127 | 140 | 13 |
| M225 | 67 | 38 | 48 | 30,5 | 33 | 4,8 | 62 | 75 | 88 | 101 | 114 | 127 | 140 | 13 |
| T225 | 67 | 38 | 50 | 30,5 | 33 | 4,8 | 64 | 79 | 94 | 109 | 124 | 139 | 154 | 15 |

Front Mounting Switches

sälzer



Product lines
M200 / T200

Front mounting switch

Single hole mounting
ø 30,5 mm

216N1 (IP66)

216N4 (IP66)

| Complete switch | Poles | Product line | Rated data (IEC 60947) | | | Order code number |
|--|----------|--------------|------------------------------------|--------------------------------|------------|------------------------------|
| | | | Operational current I _e | Operational power at 380–440 V | | |
| | | | AC-21A A | AC-23A kW | AC-3 kW | |
| Main Switches Switching angle 90° OFF position padlockable 09h | 1 ... 24 | M200 | 20 | 7,5 | 5,5 | M220 - 61 ... - 216N1 |
| | | | 25 | 11 | 7,5 | M225 - 61 ... - 216N1 |
| Main/Emergency-Off Switches Switching angle 90° OFF position padlockable 09h | 1 ... 24 | T200 | 32 | 15 | 11 | T225 - 61 ... - 216N1 |
| | | | | | | |
| Main/Emergency-Off Switches Switching angle 90° OFF position padlockable 09h | 1 ... 24 | M200 | 20 | 7,5 | 5,5 | M220 - 61 ... - 216N4 |
| | | | 25 | 11 | 7,5 | M225 - 61 ... - 216N4 |
| Main/Emergency-Off Switches Switching angle 90° OFF position padlockable 09h | 1 ... 24 | T200 | 32 | 15 | 11 | T225 - 61 ... - 216N4 |
| | | | | | | |

SMD modules for basic switch

Mounting form module for 216N.

M200 / T200

BFB2 - 219

N-padlock device 67 x 67 mm, mounting form 216M1
Escutcheon black, padlockable handle black

2FN1 - 30

N-padlock device 67 x 67 mm, mounting form 216M4
Escutcheon yellow, padlockable handle red

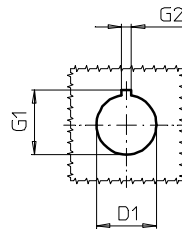
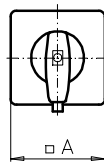
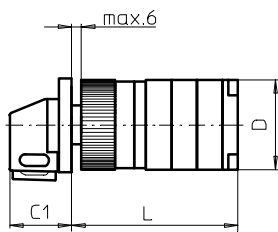
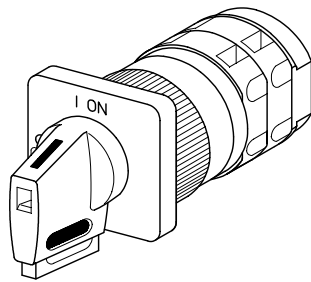
2FN4 - 30

Dimensions (mm)

| Product lines | A | C1 | D | D1 | G1 | G2 | L with ... stages (max. 12) | | | | | | | each add. stage |
|---------------|----|----|----|------|----|-----|-----------------------------|----|----|-----|-----|-----|-----|--------------------|
| | | | | | | | 1 | 2 | 3 | 4 | 5 | 6 | 7 | |
| M220 | 67 | 33 | 46 | 30,5 | 33 | 4,8 | 59 | 69 | 79 | 89 | 99 | 109 | 119 | 10 |
| M221 | 67 | 33 | 46 | 30,5 | 33 | 4,8 | 62 | 75 | 88 | 101 | 114 | 127 | 140 | 13 |
| M225 | 67 | 33 | 48 | 30,5 | 33 | 4,8 | 62 | 75 | 88 | 101 | 114 | 127 | 140 | 13 |
| T225 | 67 | 33 | 50 | 30,5 | 33 | 4,8 | 64 | 79 | 94 | 109 | 124 | 139 | 154 | 15 |

Front Mounting Switches

sälzer



Product lines
M200 / T200

Front mounting switch

Single hole mounting
ø 30,5 mm

215V1 (IP66)

215V4 (IP66)

| Complete switch | Poles | Product line | Rated data (IEC 60947) | | | Order code number |
|------------------------------|----------|--------------|------------------------------------|--------------------------------|------------|------------------------------|
| | | | Operational current I _e | Operational power at 380–440 V | | |
| | | | AC-21A A | AC-23A kW | AC-3 kW | |
| Main Switches | 1 ... 24 | M200 | 20 | 7,5 | 5,5 | M220 - 61 ... - 215V1 |
| Switching angle 90° | | | 25 | 11 | 7,5 | M225 - 61 ... - 215V1 |
| OFF position padlockable 09h | 1 ... 24 | T200 | 32 | 15 | 11 | T225 - 61 ... - 215V1 |
| Main/Emergency-Off Switches | 1 ... 24 | M200 | 20 | 7,5 | 5,5 | M220 - 61 ... - 215V4 |
| Switching angle 90° | | | 25 | 11 | 7,5 | M225 - 61 ... - 215V4 |
| OFF position padlockable 09h | 1 ... 24 | T200 | 32 | 15 | 11 | T225 - 61 ... - 215V4 |

SMD modules for basic switch

Mounting form module for 215V.

M200 / T200

BFB2 - 219

V-operator module 48 x 48 mm, mounting form 215V1
Escutcheon black, handle black

2DV1 - 0930

Legend plate silver, operator module 215V1

FAS2 - (FA number)

V-operator module 48 x 48 mm, mounting form 215V4
Escutcheon black, handle red

2DV4 - 0930

Legend plate yellow, operator module 215V4

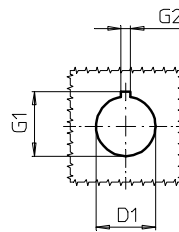
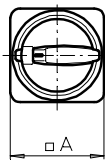
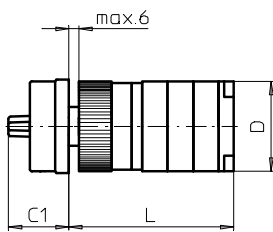
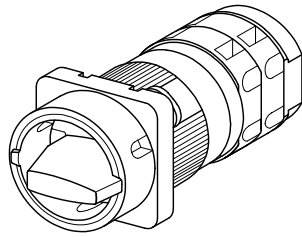
FBS2 - (FA number)

Dimensions (mm)

| Product lines | A | C1 | D | D1 | G1 | G2 | L with ... stages (max. 12) | | | | | | | each add. stage |
|---------------|----|----|----|------|----|-----|-----------------------------|----|----|-----|-----|-----|-----|--------------------|
| | | | | | | | 1 | 2 | 3 | 4 | 5 | 6 | 7 | |
| M220 | 48 | 32 | 46 | 30,5 | 33 | 4,8 | 59 | 69 | 79 | 89 | 99 | 109 | 119 | 10 |
| M221 | 48 | 32 | 46 | 30,5 | 33 | 4,8 | 62 | 75 | 88 | 101 | 114 | 127 | 140 | 13 |
| M225 | 48 | 32 | 48 | 30,5 | 33 | 4,8 | 62 | 75 | 88 | 101 | 114 | 127 | 140 | 13 |
| T225 | 48 | 32 | 50 | 30,5 | 33 | 4,8 | 64 | 79 | 94 | 109 | 124 | 139 | 154 | 15 |

Front Mounting Switches

sälzer



Product lines
M200 / T200

Front mounting switch

Single hole mounting
ø 30,5 mm

215M1 (IP66)
215M4 (IP66)

| Complete switch | Poles | Product line | Rated data (IEC 60947) | | | Order code number |
|--|----------|--------------|------------------------------------|--------------------------------|------------|------------------------------|
| | | | Operational current I _e | Operational power at 380–440 V | | |
| | | | AC-21A A | AC-23A kW | AC-3 kW | |
| Main Switches Switching angle 90° OFF position padlockable 09h | 1 ... 24 | M200 | 20 | 7,5 | 5,5 | M220 - 61 ... - 215M1 |
| | | | 25 | 11 | 7,5 | M225 - 61 ... - 215M1 |
| | 1 ... 24 | T200 | 32 | 15 | 11 | T225 - 61 ... - 215M1 |
| Main/Emergency-Off Switches Switching angle 90° OFF position padlockable 09h | 1 ... 24 | M200 | 20 | 7,5 | 5,5 | M220 - 61 ... - 215M4 |
| | | | 25 | 11 | 7,5 | M225 - 61 ... - 215M4 |
| | 1 ... 24 | T200 | 32 | 15 | 11 | T225 - 61 ... - 215M4 |

SMD modules for basic switch

Mounting form module for 215M.

M200 / T200

BFB2 - 219

M-padlock device 48 x 48 mm, mounting form 215M1
Escutcheon black, padlockable handle black

2EM1 - 30

M-padlock device 48 x 48 mm, mounting form 215M4
Escutcheon yellow, padlockable handle red

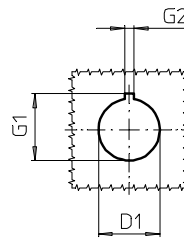
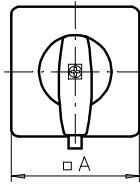
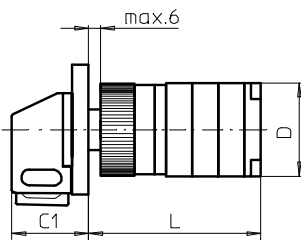
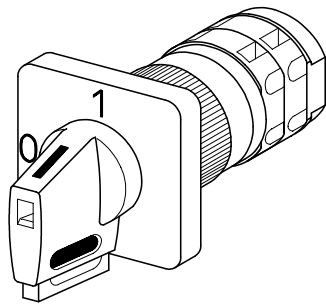
2EM4 - 30

Dimensions (mm)

| Product lines | A | C1 | D | D1 | G1 | G2 | L with ... stages (max. 12) | | | | | | | each add. stage |
|---------------|----|----|----|------|----|-----|-----------------------------|----|----|-----|-----|-----|-----|--------------------|
| | | | | | | | 1 | 2 | 3 | 4 | 5 | 6 | 7 | |
| M220 | 48 | 31 | 46 | 30,5 | 33 | 4,8 | 59 | 69 | 79 | 89 | 99 | 109 | 119 | 10 |
| M221 | 48 | 31 | 46 | 30,5 | 33 | 4,8 | 62 | 75 | 88 | 101 | 114 | 127 | 140 | 13 |
| M225 | 48 | 31 | 48 | 30,5 | 33 | 4,8 | 62 | 75 | 88 | 101 | 114 | 127 | 140 | 13 |
| T225 | 48 | 31 | 50 | 30,5 | 33 | 4,8 | 64 | 79 | 94 | 109 | 124 | 139 | 154 | 15 |

Front Mounting Switches

sälzer



Product lines
M200 / T200

Front mounting switch
Operator module of next size

Single hole mounting
ø 30,5 mm

216V1 (IP66)
216V4 (IP66)

| Complete switch | Poles | Product line | Rated data (IEC 60947) | | | Order code number |
|------------------------------|----------|--------------|------------------------------------|--------------------------------|------------|------------------------------|
| | | | Operational current I _e | Operational power at 380–440 V | | |
| | | | AC-21A A | AC-23A kW | AC-3 kW | |
| Main Switches | 1 ... 24 | M200 | 20 | 7,5 | 5,5 | M220 - 61 ... - 216V1 |
| Switching angle 90° | | | 25 | 11 | 7,5 | M225 - 61 ... - 216V1 |
| OFF position padlockable 09h | 1 ... 24 | T200 | 32 | 15 | 11 | T225 - 61 ... - 216V1 |
| Main/Emergency-Off Switches | 1 ... 24 | M200 | 20 | 7,5 | 5,5 | M220 - 61 ... - 216V4 |
| Switching angle 90° | | | 25 | 11 | 7,5 | M225 - 61 ... - 216V4 |
| OFF position padlockable 09h | 1 ... 24 | T200 | 32 | 15 | 11 | T225 - 61 ... - 216V4 |

SMD modules for basic switch

Mounting form module for 216V.

M200 / T200

BFB2 - 219

V-operator module 64 x 64 mm, mounting form 216V1
Escutcheon black, handle black

2KV1 - 0930

Legend plate silver, operator module 216V1

FAS4 - (FA number)

V-operator module 64 x 64 mm, mounting form 216V4
Escutcheon black, handle red

2KV4 - 0930

Legend plate yellow, operator module 216V4

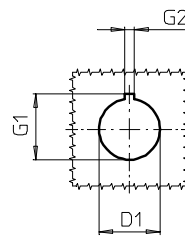
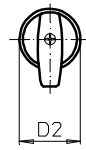
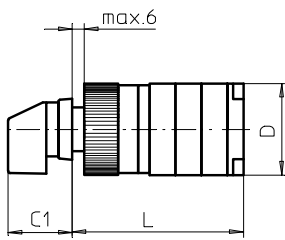
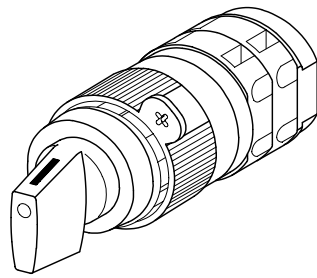
FBS4 - (FA number)

Dimensions (mm)

| Product lines | A | C1 | D | D1 | G1 | G2 | L with ... stages (max. 12) | | | | | | | each add. stage |
|---------------|----|----|----|------|----|-----|-----------------------------|----|----|-----|-----|-----|-----|--------------------|
| | | | | | | | 1 | 2 | 3 | 4 | 5 | 6 | 7 | |
| M220 | 64 | 39 | 46 | 30,5 | 33 | 4,8 | 59 | 69 | 79 | 89 | 99 | 109 | 119 | 10 |
| M221 | 64 | 39 | 46 | 30,5 | 33 | 4,8 | 62 | 75 | 88 | 101 | 114 | 127 | 140 | 13 |
| M225 | 64 | 39 | 48 | 30,5 | 33 | 4,8 | 62 | 75 | 88 | 101 | 114 | 127 | 140 | 13 |
| T225 | 64 | 39 | 50 | 30,5 | 33 | 4,8 | 64 | 79 | 94 | 109 | 124 | 139 | 154 | 15 |

Front Mounting Switches

sälzer



Product lines
M200 / T200

Front mounting switch
Front ring

Single hole mounting
ø 30,5 mm

208M1 (IP66)

| Complete switch | Poles | Product line | Rated data (IEC 60947) | | | Order code number |
|--|----------|--------------|------------------------------------|--------------------------------|------------|------------------------------|
| | | | Operational current I _e | Operational power at 380–440 V | | |
| | | | AC-21A A | AC-23A kW | AC-3 kW | |
| Rotary Cam Switches Switching angle 30°/45°/60°/90° | 1 ... 24 | M200 | 20 | 7,5 | 5,5 | M220 - 61 ... - 208M1 |
| | | | 25 | 11 | 7,5 | M225 - 61 ... - 208M1 |
| | 1 ... 24 | T200 | 32 | 15 | 11 | T225 - 61 ... - 208M1 |

SMD modules for basic switch

Mounting form module for 208M1

M200 / T200

BFB2 - 219

Frontring black ø 39,5 mm, M-handle black, mounting form 208M1
(Front ring without legend)

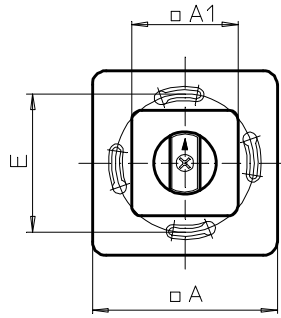
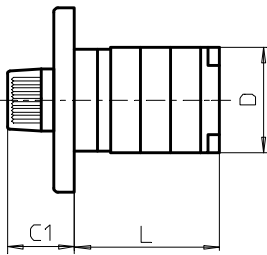
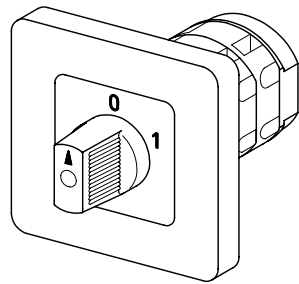
2HM1 - 30

Dimensions (mm)

| Product lines | C1 | D | D1 | D2 | G1 | G2 | L with ... stages (max. 12) | | | | | | | each add. stage |
|---------------|----|----|------|------|----|-----|-----------------------------|----|----|-----|-----|-----|-----|--------------------|
| | | | | | | | 1 | 2 | 3 | 4 | 5 | 6 | 7 | |
| M220 | 32 | 46 | 30,5 | 39,5 | 33 | 4,8 | 59 | 69 | 79 | 89 | 99 | 109 | 119 | 10 |
| M221 | 32 | 46 | 30,5 | 39,5 | 33 | 4,8 | 62 | 75 | 88 | 101 | 114 | 127 | 140 | 13 |
| M225 | 32 | 48 | 30,5 | 39,5 | 33 | 4,8 | 62 | 75 | 88 | 101 | 114 | 127 | 140 | 13 |
| T225 | 32 | 50 | 30,5 | 39,5 | 33 | 4,8 | 64 | 79 | 94 | 109 | 124 | 139 | 154 | 15 |

Front Mounting Switches

sälzer



**Product line
M200**

Front mounting switch

Wall mounting

025N3 (IP30)

| Complete switch | Poles | Product line | Rated data (IEC 60947) | | | Order code number |
|---|----------|--------------|------------------------------------|--------------------------------|------------|------------------------------------|
| | | | Operational current I _e | Operational power at 380–440 V | | |
| | | | AC-21A A | AC-23A kW | AC-3 kW | |
| Rotary Cam Switches | 1 ... 6 | M200 | 20 | 7,5 | 5,5 | M220 - 61 ... - 025N3 |
| Switching angle 30°/45°/60°/90° | 1 ... 2 | | 25 | 11 | 7,5 | M225 - 61 ... - 025N3 |
| SMD modules for basic switch | | | | | | |
| Mounting form module for 025N3 | | | | M200 | | BFA2 - 025N3 |
| Escutcheon white, N-handle white | | | | | | |
| Legend plate silver, mounting form module 025N3 | | | | | | FAS2 - (FA number) |
| Dimensions (mm) | | | | | | |
| Product lines | A | A1 | C1 | D | E | L with ... stages |
| | | | | | | 1 2 3 |
| M220 | 80 | 46 | 31 | 46 | 60 | 36 46 56 |
| M221 | 80 | 46 | 31 | 46 | 60 | 39 - - |
| M225 | 80 | 46 | 31 | 48 | 60 | 39 - - |

Front Mounting Switches

sälzer

Product lines
M200 / T200

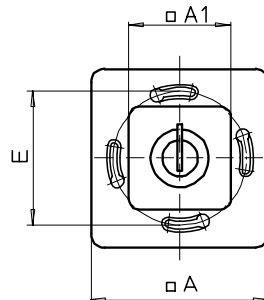
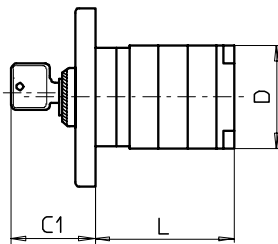
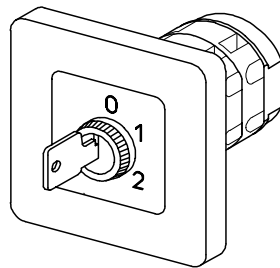
Front mounting switch

Wall mounting

Escutcheon
90 x 90 mm white

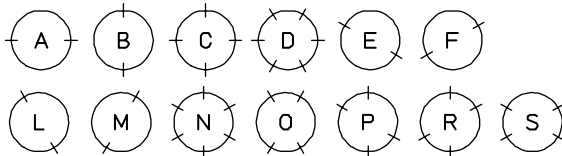
Key operated

U001. (IP40)



| Complete switch | Poles | Product line | Rated data (IEC 60947) | | | Order code number |
|---|---------|--------------|------------------------------------|--------------------------------|------------|------------------------------|
| | | | Operational current I _e | Operational power at 380–440 V | | |
| | | | AC-21A A | AC-23A kW | AC-3 kW | |
| Rotary Cam Switches Switching angle 60°/ 90° (30°/45° upon request) | 1 ... 8 | M200 | 20 | 7,5 | 5,5 | M220 - 61 ... - U001. |
| | 1 ... 8 | T200 | 25 | 11 | 7,5 | M225 - 61 ... - U001. |
| | | | 32 | 15 | 11 | T225 - 61 ... - U001. |

The dot in the order code number of the complete mounting form/operator module must be replaced by the classification letter which identifies the key removable positions:



Lines indicate the key removable positions.

SMD modules for basic switch

Mounting form module for U001.

M200 / T200

BFA2-U001.

Operator module 90 x 90 mm, mounting form U001.

Escutcheon white, DOM lock, (2 keys), key number 7 D1

Legend plate silver

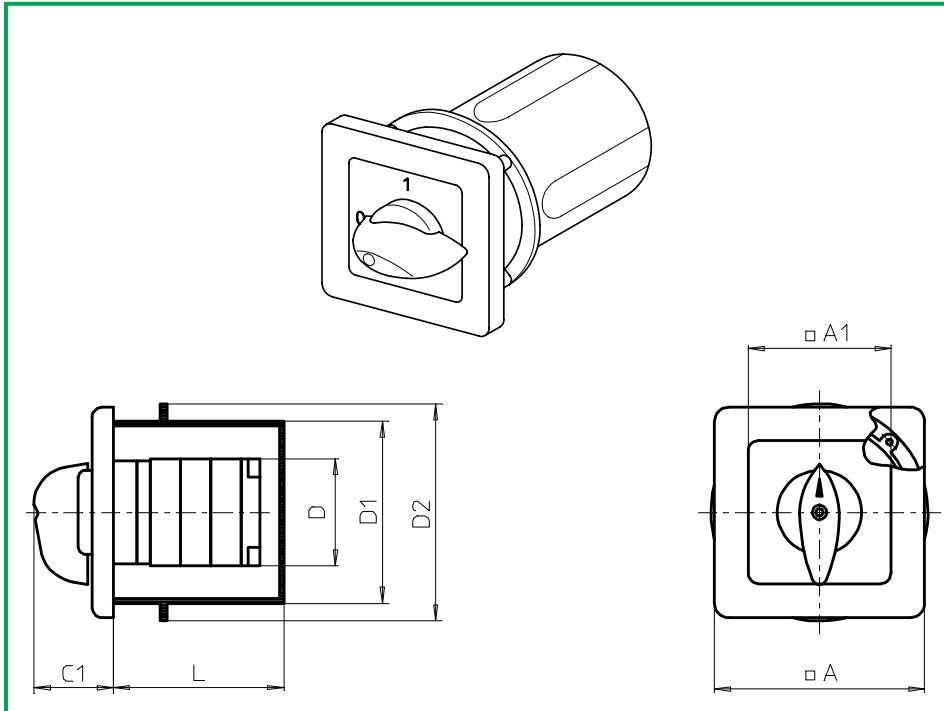
FAS4 - (FA number)

Dimensions (mm)

| Product lines | A | A1 | C1 | D | E | L with ... stages | | | |
|---------------|----|----|----|----|----|-------------------|----|----|----|
| | | | | | | 1 | 2 | 3 | 4 |
| M220 | 90 | 61 | 42 | 46 | 60 | 44 | 54 | 64 | 74 |
| M221 | 90 | 61 | 42 | 46 | 60 | 47 | 60 | 73 | 86 |
| M225 | 90 | 61 | 42 | 48 | 60 | 39 | 60 | 73 | 73 |
| T225 | 90 | 61 | 42 | 50 | 60 | 49 | 64 | 79 | 94 |

Front Mounting Switches

sälzer



Product lines
M200 / T200

Front mounting switch
Operator module of next size

Wall mounting
With plaster depth box (special)

024B3 (IP30)

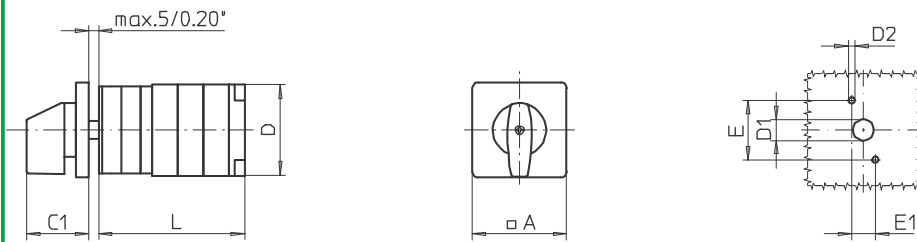
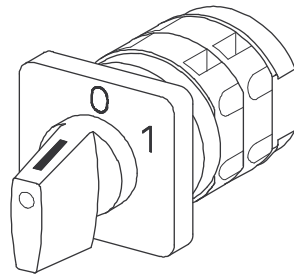
| Complete switch | Poles | Product line | Rated data (IEC 60947) | | | Order code number |
|--|----------|--------------|------------------------------------|--------------------------------|------------|------------------------------|
| | | | Operational current I _e | Operational power at 380–440 V | | |
| | | | AC-21A A | AC-23A kW | AC-3 kW | |
| Rotary Cam Switches Switching angle 30°/45°/60°/90° | 1 ... 12 | M200 | 20 | 7,5 | 5,5 | M220 - 61 ... - 024B3 |
| | 1 ... 8 | | 25 | 11 | 7,5 | M225 - 61 ... - 024B3 |
| | 1 ... 8 | T200 | 32 | 15 | 11 | T225 - 61 ... - 024B3 |

| SMD modules for basic switch | | | |
|---|--|-------------|--------------------------------|
| Mounting form module 024B3 | | M200 / T200 | BFA2 - 024B3 |
| Escutcheon white, B-handle white | | | |
| Legend plate silver, mounting form module 024B3 | | | FAS4 - (FA number) |

| Dimensions (mm) | | | | | | | | | | | | |
|-----------------|----|----|----|----|----|----|-------------------|----|----|----|----|----|
| Product lines | A | A1 | C1 | D | D1 | D2 | L with ... stages | | | | | |
| | | | | | | | 1 | 2 | 3 | 4 | 5 | 6 |
| M220 | 90 | 61 | 38 | 46 | 78 | 93 | 97 | 97 | 97 | 97 | 97 | 97 |
| M221 | 90 | 61 | 38 | 46 | 78 | 93 | 97 | 97 | 97 | 97 | - | - |
| M225 | 90 | 61 | 38 | 48 | 78 | 93 | 97 | 97 | 97 | 97 | - | - |
| T225 | 90 | 61 | 38 | 50 | 78 | 93 | 97 | 97 | 97 | 97 | - | - |

Front Mounting Switches

sälzer



**Product lines
M200/ T200**

Front mounting switch

**Two hole mounting
30 x 12,2 mm**

**M-operator module
48 x 48 mm**

503M1 (IP66)

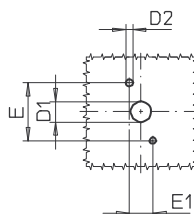
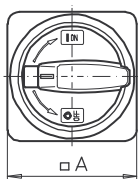
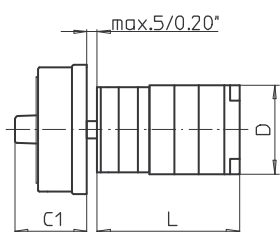
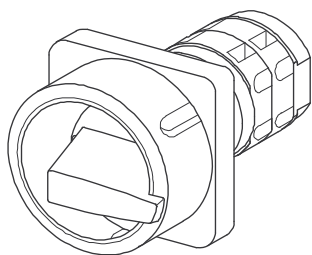
| Complete switch | Poles | Product lines | Rated data (IEC 60947) | | | Order code number |
|--|----------|---------------|------------------------------------|--------------------------------|------------|------------------------------|
| | | | Operational current I _e | Operational power at 380–440 V | | |
| | | | AC-21A A | AC-23A kW | AC-3 kW | |
| Rotary Cam Switches Switching angle 30°/45°/60°/90° | 1 ... 24 | M200 | 20 | 7,5 | 5,5 | M220 - 61 ... - 503M1 |
| | | | 25 | 11 | 7,5 | M225 - 61 ... - 503M1 |
| | 1 ... 24 | T200 | 32 | 15 | 11 | T225 - 61 ... - 503M1 |

| SMD modules for basic switch | | |
|---|------------|--------------------------------|
| Mounting form module for 503M1 | M200/ T200 | BFB2 - 503 |
| M-operator module 48 x 48 mm, mounting form 503M1 | | 2UM1 |
| Escutcheon black, handle black | | |
| Legend plate silver, operator module 503M1 | | FAS2 - (FA number) |

| Dimensions (mm) | | | | | | | | | | | | | | |
|-----------------|----|----|----|----|-----|----|------|-----------------------------|----|----|----|-----|-----|-----------------|
| Type | A | C1 | D | D1 | D2 | E | E1 | L with ... stages (max. 12) | | | | | | each add. stage |
| | | | | | | | | 1 | 2 | 3 | 4 | 5 | 6 | |
| M220 | 48 | 32 | 46 | 12 | 3,5 | 30 | 12,2 | 46 | 56 | 66 | 76 | 86 | 96 | 10 |
| M221 | 48 | 32 | 46 | 12 | 3,5 | 30 | 12,2 | 49 | 62 | 75 | 88 | 101 | 114 | 13 |
| M225 | 48 | 32 | 48 | 12 | 3,5 | 30 | 12,2 | 49 | 62 | 75 | 88 | 101 | 114 | 13 |
| T225 | 48 | 32 | 50 | 12 | 3,5 | 30 | 12,2 | 45 | 66 | 81 | 96 | 111 | 126 | 15 |

Front Mounting Switches

sälzer



Product lines
M200/ T200

Front mounting switch

Two hole mounting
30 x 12,2 mm

M-padlock device
67 x 67 mm

133M1 (IP66)
133M4 (IP66)

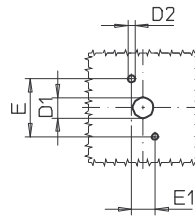
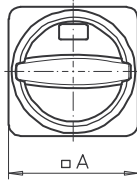
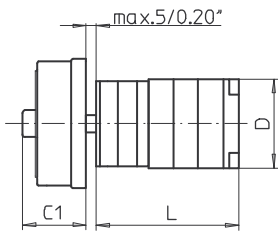
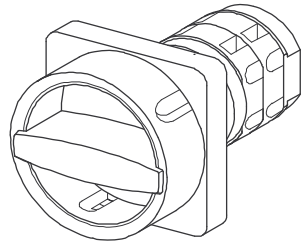
| Complete switch | Poles | Product lines | Rated data (IEC 60947) | | | Order code number |
|------------------------------|----------|---------------|------------------------------------|--------------------------------|------------|------------------------------|
| | | | Operational current I _e | Operational power at 380–440 V | | |
| | | | AC-21A A | AC-23A kW | AC-3 kW | |
| Main Switches | 1 ... 24 | M200 | 20 | 7,5 | 5,5 | M220 - 61 ... - 133M1 |
| Switching angle 90° | | | 25 | 11 | 7,5 | M225 - 61 ... - 133M1 |
| OFF position padlockable 09h | 1 ... 24 | T200 | 32 | 15 | 11 | T225 - 61 ... - 133M1 |
| Main/Emergency-Off Switches | 1 ... 24 | M200 | 20 | 7,5 | 5,5 | M220 - 61 ... - 133M4 |
| Switching angle 90° | | | 25 | 11 | 7,5 | M225 - 61 ... - 133M4 |
| OFF position padlockable 09h | 1 ... 24 | T200 | 32 | 15 | 11 | T225 - 61 ... - 133M4 |

| SMD modules for basic switch | | | |
|--|--|------------|-------------------|
| Mounting form module for 133M. | | M200/ T200 | BFB2 - 133 |
| M-padlock device 67 x 67 mm, mounting form 133M1 | | | 2VM1 |
| Escutcheon black, padlockable handle black | | | |
| M-padlock device 67 x 67 mm, mounting form 133M4 | | | 2VM4 |
| Escutcheon yellow, padlockable handle red | | | |

| Dimensions (mm) | | | | | | | | | | | | | | |
|-----------------|----|----|----|----|-----|----|------|-----------------------------|----|----|----|-----|-----|-----------------|
| Type | A | C1 | D | D1 | D2 | E | E1 | L with ... stages (max. 12) | | | | | | each add. stage |
| | | | | | | | | 1 | 2 | 3 | 4 | 5 | 6 | |
| M220 | 67 | 38 | 46 | 12 | 3,5 | 30 | 12,2 | 46 | 56 | 66 | 76 | 86 | 96 | 10 |
| M221 | 67 | 38 | 46 | 12 | 3,5 | 30 | 12,2 | 49 | 62 | 75 | 88 | 101 | 114 | 13 |
| M225 | 67 | 38 | 48 | 12 | 3,5 | 30 | 12,2 | 49 | 62 | 75 | 88 | 101 | 114 | 13 |
| T225 | 67 | 38 | 50 | 12 | 3,5 | 30 | 12,2 | 45 | 66 | 81 | 96 | 111 | 126 | 15 |

Front Mounting Switches

sälzer



Product lines
M200/ T200

Front mounting switch

Two hole mounting
30 x 12,2 mm

N-padlock device
67 x 67 mm

133N1 (IP66)

133N4 (IP66)

| Complete switch | Poles | Product lines | Rated data (IEC 60947) | | | Order code number |
|------------------------------|----------|---------------|------------------------------------|--------------------------------|------------|------------------------------|
| | | | Operational current I _e | Operational power at 380–440 V | | |
| | | | AC-21A A | AC-23A kW | AC-3 kW | |
| Main Switches | 1 ... 24 | M200 | 20 | 7,5 | 5,5 | M220 - 61 ... - 133N1 |
| Switching angle 90° | | | 25 | 11 | 7,5 | M225 - 61 ... - 133N1 |
| OFF position padlockable 09h | 1 ... 24 | T200 | 32 | 15 | 11 | T225 - 61 ... - 133N1 |
| Main/Emergency-Off Switches | 1 ... 24 | M200 | 20 | 7,5 | 5,5 | M220 - 61 ... - 133N4 |
| Switching angle 90° | | | 25 | 11 | 7,5 | M225 - 61 ... - 133N4 |
| OFF position padlockable 09h | 1 ... 24 | T200 | 32 | 15 | 11 | T225 - 61 ... - 133N4 |

SMD modules for basic switch

Mounting form module for 133N.

M200/ T200

BFB2 - 133

N-padlock device 67 x 67 mm, mounting form 133N1
Escutcheon black, padlockable handle black

2VN1

N-padlock device 67 x 67 mm, mounting form 133N4
Escutcheon yellow, padlockable handle red

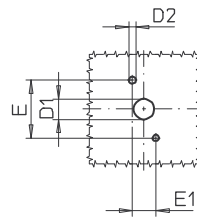
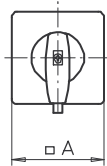
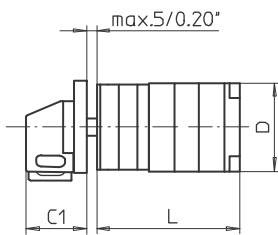
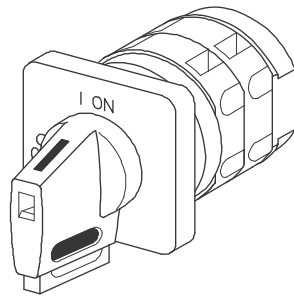
2VN4

Dimensions (mm)

| Type | A | C1 | D | D1 | D2 | E | E1 | L with ... stages (max. 12) | | | | | | each add. stage |
|------|----|----|----|----|-----|----|------|-----------------------------|----|----|----|-----|-----|--------------------|
| | | | | | | | | 1 | 2 | 3 | 4 | 5 | 6 | |
| M220 | 67 | 33 | 46 | 12 | 3,5 | 30 | 12,2 | 46 | 56 | 66 | 76 | 86 | 96 | 10 |
| M221 | 67 | 33 | 46 | 12 | 3,5 | 30 | 12,2 | 49 | 62 | 75 | 88 | 101 | 114 | 13 |
| M225 | 67 | 33 | 48 | 12 | 3,5 | 30 | 12,2 | 49 | 62 | 75 | 88 | 101 | 114 | 13 |
| T225 | 67 | 33 | 50 | 12 | 3,5 | 30 | 12,2 | 45 | 66 | 81 | 96 | 111 | 126 | 15 |

Front Mounting Switches

sälzer



Product lines
M200/ T200

Front mounting switch

Two hole mounting
30 x 12,2 mm

V-operator module
48 x 48 mm

133V1 (IP66)

133V4 (IP66)

| Complete switch | Poles | Product lines | Rated data (IEC 60947) | | | Order code number |
|------------------------------|----------|---------------|------------------------------------|--------------------------------|------------|------------------------------|
| | | | Operational current I _e | Operational power at 380–440 V | | |
| | | | AC-21A A | AC-23A kW | AC-3 kW | |
| Main Switches | 1 ... 24 | M200 | 20 | 7,5 | 5,5 | M220 - 61 ... - 133V1 |
| Switching angle 90° | | | 25 | 11 | 7,5 | M225 - 61 ... - 133V1 |
| OFF position padlockable 09h | 1 ... 24 | T200 | 32 | 15 | 11 | T225 - 61 ... - 133V1 |
| Main/Emergency-Off Switches | 1 ... 24 | M200 | 20 | 7,5 | 5,5 | M220 - 61 ... - 133V4 |
| Switching angle 90° | | | 25 | 11 | 7,5 | M225 - 61 ... - 133V4 |
| OFF position padlockable 09h | 1 ... 24 | T200 | 32 | 15 | 11 | T225 - 61 ... - 133V4 |

SMD modules for basic switch

Mounting form module for 133V.

M200/ T200

BFB2 - 503

V-operator module 48 x 48 mm, mounting form 133V1
Escutcheon black, handle black

2UV1 - 09

Legend plate silver, operator module 133V1

FAS2 - 9078

V-operator module 48 x 48 mm, mounting form 133V4
Escutcheon black, handle red

2UV4 - 09

Legend plate yellow, operator module 133V4

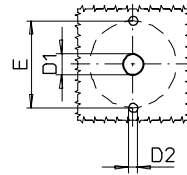
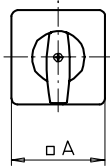
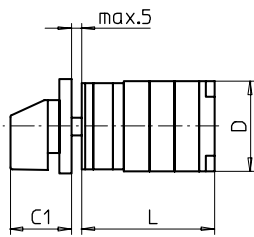
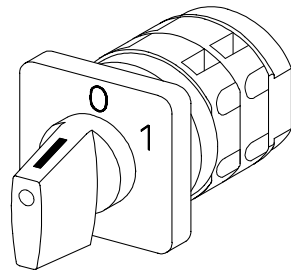
FBS2 - 9078

Dimensions (mm)

| Type | A | C1 | D | D1 | D2 | E | E1 | L with ... stages (max. 12) | | | | | | each add. stage |
|------|----|----|----|----|-----|----|------|-----------------------------|----|----|----|-----|-----|-----------------|
| | | | | | | | | 1 | 2 | 3 | 4 | 5 | 6 | |
| M220 | 48 | 32 | 46 | 12 | 3,5 | 30 | 12,2 | 46 | 56 | 66 | 76 | 86 | 96 | 10 |
| M221 | 48 | 32 | 46 | 12 | 3,5 | 30 | 12,2 | 49 | 62 | 75 | 88 | 101 | 114 | 13 |
| M225 | 48 | 32 | 48 | 12 | 3,5 | 30 | 12,2 | 49 | 62 | 75 | 88 | 101 | 114 | 13 |
| T225 | 48 | 32 | 50 | 12 | 3,5 | 30 | 12,2 | 45 | 66 | 81 | 96 | 111 | 126 | 15 |

Front Mounting Switches

sälzer



Product lines
M200 / T200

Front mounting switch
Escutcheon 48 x 48 mm

Two hole mounting
ø 31 mm

140M1 (IP66)

| Complete switch | Poles | Product line | Rated data (IEC 60947) | | | Order code number |
|--|----------|--------------|------------------------------------|--------------------------------|------------|------------------------------|
| | | | Operational current I _e | Operational power at 380–440 V | | |
| | | | AC-21A A | AC-23A kW | AC-3 kW | |
| Rotary Cam Switches Switching angle 30°/45°/60°/90° | 1 ... 24 | M200 | 20 | 7,5 | 5,5 | M220 - 61 ... - 140M1 |
| | | | 25 | 11 | 7,5 | M225 - 61 ... - 140M1 |
| | 1 ... 24 | T200 | 32 | 15 | 11 | T225 - 61 ... - 140M1 |

SMD modules for basic switch

Mounting form module for 140M1

M200 / T200

BFA2 - 140

M-operator module 48x48 mm, mounting form 140M1

2QM1

Legend plate silver, operator module 140M1

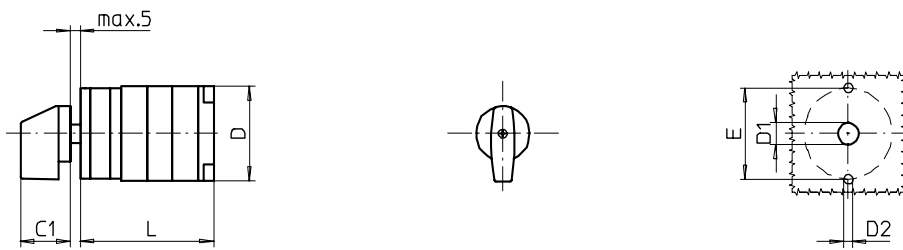
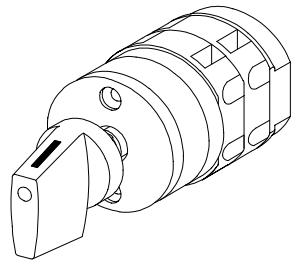
FAS2-....

Dimensions (mm)

| Product lines | A | C1 | D | D1 | D2 | E | L with ... stages (max. 12) | | | | | | | each add. stage |
|---------------|----|----|----|----|-----|----|-----------------------------|----|----|----|-----|-----|-----|--------------------|
| | | | | | | | 1 | 2 | 3 | 4 | 5 | 6 | 7 | |
| M220 | 48 | 32 | 46 | 12 | 4,5 | 31 | 40 | 50 | 60 | 70 | 80 | 90 | 100 | 10 |
| M221 | 48 | 32 | 46 | 12 | 4,5 | 31 | 43 | 56 | 69 | 82 | 95 | 108 | 121 | 13 |
| M225 | 48 | 32 | 48 | 12 | 4,5 | 31 | 43 | 56 | 69 | 82 | 95 | 108 | 121 | 13 |
| T225 | 48 | 32 | 50 | 12 | 4,5 | 31 | 45 | 60 | 75 | 90 | 105 | 120 | 135 | 15 |

Front Mounting Switches

sälzer



Product lines
M200 / T200

Front mounting switch
Without escutcheon

Two hole mounting
ø 31 mm

141M1 (IP66)

| Complete switch | Poles | Product line | Rated data (IEC 60947) | | | Order code number |
|--|----------|--------------|------------------------------------|--------------------------------|------------|------------------------------|
| | | | Operational current I _e | Operational power at 380–440 V | | |
| | | | AC-21A A | AC-23A kW | AC-3 kW | |
| Rotary Cam Switches Switching angle 30°/45°/60°/90° | 1 ... 24 | M200 | 20 | 7,5 | 5,5 | M220 - 61 ... - 141M1 |
| | | | 25 | 11 | 7,5 | M225 - 61 ... - 141M1 |
| | 1 ... 24 | T200 | 32 | 15 | 11 | T225 - 61 ... - 141M1 |

SMD modules for basic switch

Mounting form module for 141M1
(Shaft shortened by 5 mm)

M200 / T200

BFA2 - 141
2XM1

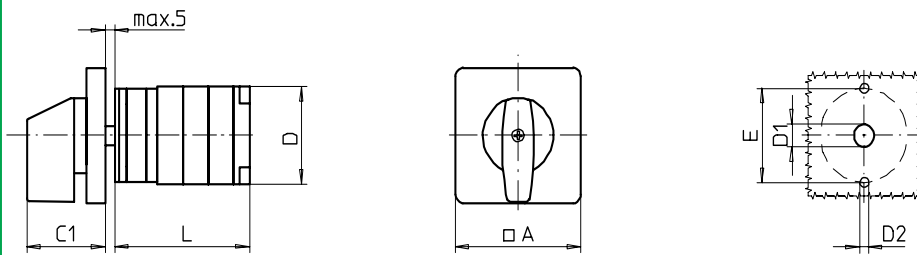
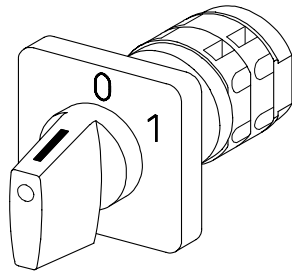
M-handle black, mounting form 141M1
(Without escutcheon/without legend plate)

Dimensions (mm)

| Product lines | C1 | D | D1 | D2 | E | L with ... stages (max. 12) | | | | | | | each add. stage |
|---------------|----|----|----|-----|----|-----------------------------|----|----|----|-----|-----|-----|--------------------|
| | | | | | | 1 | 2 | 3 | 4 | 5 | 6 | 7 | |
| M220 | 25 | 46 | 12 | 4,5 | 31 | 40 | 50 | 60 | 70 | 80 | 90 | 100 | 10 |
| M221 | 25 | 46 | 12 | 4,5 | 31 | 43 | 56 | 69 | 82 | 95 | 108 | 121 | 13 |
| M225 | 25 | 48 | 12 | 4,5 | 31 | 43 | 56 | 69 | 82 | 95 | 108 | 121 | 13 |
| T225 | 25 | 50 | 12 | 4,5 | 31 | 45 | 60 | 75 | 90 | 105 | 120 | 135 | 15 |

Front Mounting Switches

sälzer



Product lines
M200 / T200

Front mounting switch
Operator module of next size
Escutcheon 64 x 64 mm

Two hole mounting
ø 31 mm

142M1 (IP66)

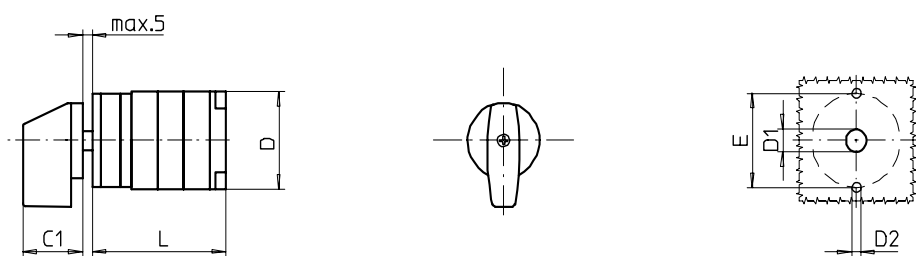
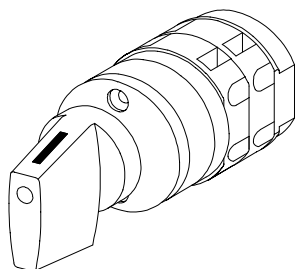
| Complete switch | Poles | Product line | Rated data (IEC 60947) | | | Order code number |
|--|----------|--------------|------------------------------------|--------------------------------|------------|------------------------------|
| | | | Operational current I _e | Operational power at 380–440 V | | |
| | | | AC-21A A | AC-23A kW | AC-3 kW | |
| Rotary Cam Switches Switching angle 30°/45°/60°/90° | 1 ... 24 | M200 | 20 | 7,5 | 5,5 | M220 - 61 ... - 142M1 |
| | | | 25 | 11 | 7,5 | M225 - 61 ... - 142M1 |
| | 1 ... 24 | T200 | 32 | 15 | 11 | T225 - 61 ... - 142M1 |

| SMD modules for basic switch | | | |
|---|--|-------------|-------------------|
| Mounting form module for 142M1 | | M200 / T200 | BFA2 - 142 |
| M-operator module 64 x 64 mm, mounting form 142M1 | | | 4KM1 |
| Legend plate silver, operator module 142M1 | | | FAS4-.... |

| Dimensions (mm) | | | | | | | | | | | | | | |
|-----------------|----|----|----|----|----|----|-----------------------------|----|----|----|-----|-----|-----|-----------------|
| Product lines | A | C1 | D | D1 | D2 | E | L with ... stages (max. 12) | | | | | | | each add. stage |
| | | | | | | | 1 | 2 | 3 | 4 | 5 | 6 | 7 | |
| M220 | 64 | 39 | 46 | 15 | 5 | 31 | 40 | 50 | 60 | 70 | 80 | 90 | 100 | 10 |
| M221 | 64 | 39 | 46 | 15 | 5 | 31 | 43 | 56 | 69 | 82 | 95 | 108 | 121 | 13 |
| M225 | 64 | 39 | 48 | 15 | 5 | 31 | 43 | 56 | 69 | 82 | 95 | 108 | 121 | 13 |
| T225 | 64 | 39 | 50 | 15 | 5 | 31 | 45 | 60 | 75 | 90 | 105 | 120 | 135 | 15 |

Front Mounting Switches

sälzer



Product lines
M200 / T200

Front mounting switch
Operator module of next size
Without escutcheon

Two hole mounting
ø 31 mm

143M1 (IP66)

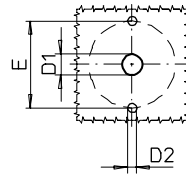
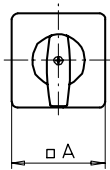
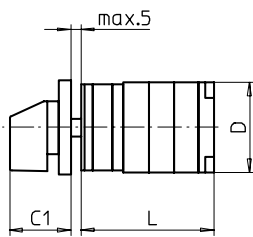
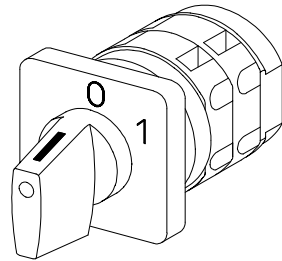
| Complete switch | Poles | Product line | Rated data (IEC 60947) | | | Order code number |
|--|----------|--------------|------------------------------------|--------------------------------|------------|------------------------------|
| | | | Operational current I _e | Operational power at 380–440 V | | |
| | | | AC-21A A | AC-23A kW | AC-3 kW | |
| Rotary Cam Switches Switching angle 30°/45°/60°/90° | 1 ... 24 | M200 | 20 | 7,5 | 5,5 | M220 - 61 ... - 143M1 |
| | | | 25 | 11 | 7,5 | M225 - 61 ... - 143M1 |
| | 1 ... 24 | T200 | 32 | 15 | 11 | T225 - 61 ... - 143M1 |

| SMD modules for basic switch | | |
|--|-------------|-------------------|
| Mounting form module for 143M1 (Shaft shortened by 5 mm) | M200 / T200 | BFA2 - 143 |
| M-handle black, mounting form 143M1 (Without escutcheon/without legend plate) | | 4XM1 |

| Dimensions (mm) | | | | | | | | | | | | | |
|-----------------|----|----|----|-----|----|-----------------------------|----|----|----|-----|-----|-----|--------------------|
| Product lines | C1 | D | D1 | D2 | E | L with ... stages (max. 12) | | | | | | | each add. stage |
| | | | | | | 1 | 2 | 3 | 4 | 5 | 6 | 7 | |
| M220 | 30 | 46 | 12 | 4,5 | 31 | 40 | 50 | 60 | 70 | 80 | 90 | 100 | 10 |
| M221 | 30 | 46 | 12 | 4,5 | 31 | 43 | 56 | 69 | 82 | 95 | 108 | 121 | 13 |
| M225 | 30 | 48 | 12 | 4,5 | 31 | 43 | 56 | 69 | 82 | 95 | 108 | 121 | 13 |
| T225 | 30 | 50 | 12 | 4,5 | 31 | 45 | 60 | 75 | 90 | 105 | 120 | 135 | 15 |

Front Mounting Switches

sälzer



Product lines
M200 / T200

Front mounting switch
With escutcheon 48 x 48 mm

Two hole mounting
ø 31 mm

Hexagon steel shaft

144M1 (IP66)

| Complete switch | Poles | Product line | Rated data (IEC 60947) | | | Order code number |
|--|----------|--------------|------------------------------------|--------------------------------|------------|------------------------------|
| | | | Operational current I _e | Operational power at 380–440 V | | |
| | | | AC-21A A | AC-23A kW | AC-3 kW | |
| Rotary Cam Switches Switching angle 30°/45°/60°/90° | 1 ... 24 | M200 | 20 | 7,5 | 5,5 | M220 - 61 ... - 144M1 |
| | | | 25 | 11 | 7,5 | M225 - 61 ... - 144M1 |
| | 1 ... 24 | T200 | 32 | 15 | 11 | T225 - 61 ... - 144M1 |

SMD modules for basic switch

Mounting form module for 144M1

M200 / T200

BFA2 - 144

M-operator module 48x48 mm, mounting form 144M1

2RM1

Legend plate silver, operator module 144M1

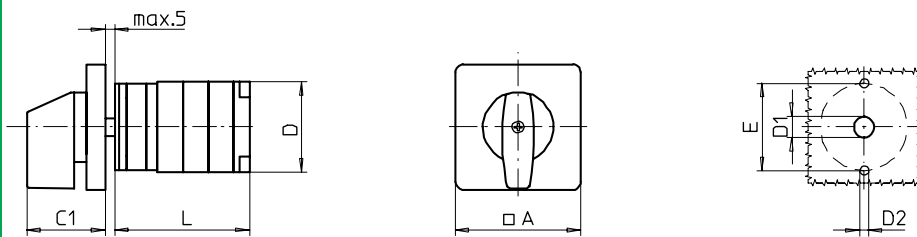
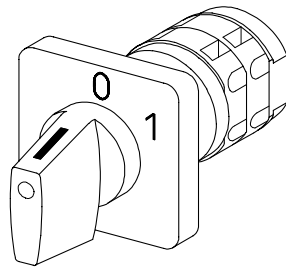
FAS2-....

Dimensions (mm)

| Product lines | A | C1 | D | D1 | D2 | E | L with ... stages (max. 12) | | | | | | | each add. stage |
|---------------|----|----|----|----|-----|----|-----------------------------|----|----|----|-----|-----|-----|--------------------|
| | | | | | | | 1 | 2 | 3 | 4 | 5 | 6 | 7 | |
| M220 | 48 | 32 | 46 | 12 | 4,5 | 31 | 40 | 50 | 60 | 70 | 80 | 90 | 100 | 10 |
| M221 | 48 | 32 | 46 | 12 | 4,5 | 31 | 43 | 56 | 69 | 82 | 95 | 108 | 121 | 13 |
| M225 | 48 | 32 | 48 | 12 | 4,5 | 31 | 43 | 56 | 69 | 82 | 95 | 108 | 121 | 13 |
| T225 | 48 | 32 | 50 | 12 | 4,5 | 31 | 45 | 60 | 75 | 90 | 105 | 120 | 135 | 15 |

Front Mounting Switches

sälzer



Product lines
M200 / T200

Front mounting switch
Operator module of next size
Escutcheon 64 x 64 mm

Two hole mounting
ø 31 mm

Hexagon steel shaft

145M1 (IP66)

| Complete switch | Poles | Product line | Rated data (IEC 60947) | | | Order code number |
|--|----------|--------------|------------------------------------|--------------------------------|------------|------------------------------|
| | | | Operational current I _e | Operational power at 380–440 V | | |
| | | | AC-21A A | AC-23A kW | AC-3 kW | |
| Rotary Cam Switches Switching angle 30°/45°/60°/90° | 1 ... 24 | M200 | 20 | 7,5 | 5,5 | M220 - 61 ... - 145M1 |
| | | | 25 | 11 | 7,5 | M225 - 61 ... - 145M1 |
| | 1 ... 24 | T200 | 32 | 15 | 11 | T225 - 61 ... - 145M1 |

| SMD modules for basic switch | | |
|---|-------------|-------------------|
| Mounting form module for 145M1 | M200 / T200 | BFA2 - 145 |
| M-operator module 64 x 64 mm, mounting form 145M1 | | 4LM1 |
| Legend plate silver, operator module 145M1 | | FAS4-.... |

| Product lines | Dimensions (mm) | | | | | | | | | | | | | |
|---------------|-----------------|----|----|----|----|----|-----------------------------|----|----|----|-----|-----|-----|-----------------|
| | A | C1 | D | D1 | D2 | E | L with ... stages (max. 12) | | | | | | | each add. stage |
| | | | | | | | 1 | 2 | 3 | 4 | 5 | 6 | 7 | |
| M220 | 64 | 39 | 46 | 15 | 5 | 31 | 40 | 50 | 60 | 70 | 80 | 90 | 100 | 10 |
| M221 | 64 | 39 | 46 | 15 | 5 | 31 | 43 | 56 | 69 | 82 | 95 | 108 | 121 | 13 |
| M225 | 64 | 39 | 48 | 15 | 5 | 31 | 43 | 56 | 69 | 82 | 95 | 108 | 121 | 13 |
| T225 | 64 | 39 | 50 | 15 | 5 | 31 | 45 | 60 | 75 | 90 | 105 | 120 | 135 | 15 |



Section B

| | Page | |
|---|-------------|--------------|
| | from | to |
| Base / front mounting | B1-1 | B1-13 |
| Door clutch with modular shaft extension Four hole front mounting | B2-1 | B2-23 |
| Door interlock with modular shaft extension Four hole front mounting N/PE connection links | B3-1 | B3-23 |

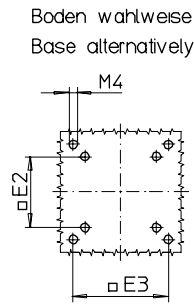
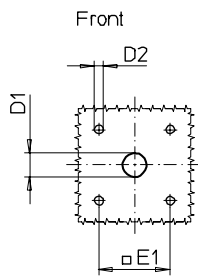
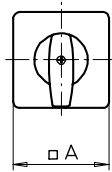
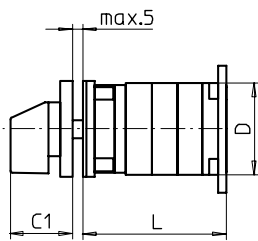
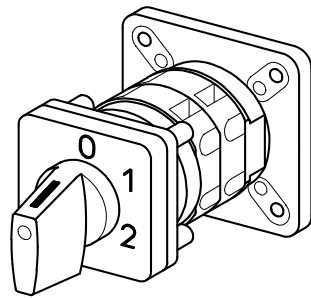
Originator: Sälzer Electric GmbH · Product Data Management (PDM) · 09306 Rochlitz (Germany)

Copyright reserved by Sälzer Electric GmbH. This document replaces all previous issues.

Valid until a new version is published. Changes and revisions reserved.

Base Mounting Switches

sälzer



Product lines
M200 / T200

Base mounting switch

Base/front mounting

Four hole mounting
36 x 36 mm front

002M1 (IP66)

| Complete switch | Poles | Product line | Rated data (IEC 60947) | | | Order code number |
|--|----------|--------------|------------------------------------|--------------------------------|------------|------------------------------|
| | | | Operational current I _e | Operational power at 380–440 V | | |
| | | | AC-21A A | AC-23A kW | AC-3 kW | |
| Rotary Cam Switches Switching angle 30°/45°/60°/90° | 1 ... 24 | M200 | 20 | 7,5 | 5,5 | M220 - 61 ... - 002M1 |
| | | | 25 | 11 | 7,5 | M225 - 61 ... - 002M1 |
| | 1 ... 24 | T200 | 32 | 15 | 11 | T225 - 61 ... - 002M1 |

SMD modules for basic switch

Mounting form module for 002M1

M200 / T200

BFA2 - 002

M-operator module 48 x 48 mm, mounting form 002M1

2AM1

Escutcheon black, handle black

Legend plate silver, operator module 002M1

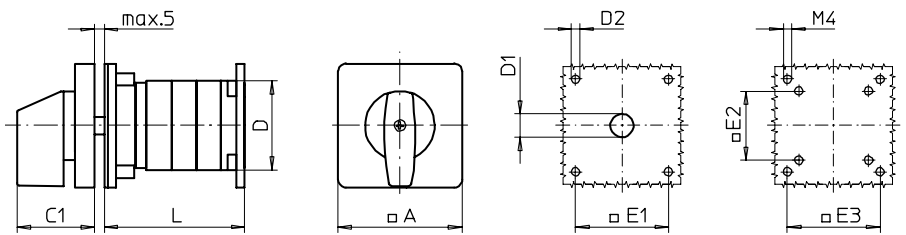
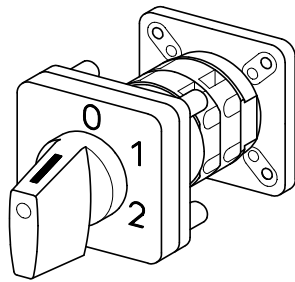
FAS2 - (FA number)

Dimensions (mm)

| Product lines | A | C1 | D | D1 | D2 | E1 | E2 | L with ... stages (max. 12) | | | | | each add. stage | |
|---------------|----|----|----|----|-----|----|----|-----------------------------|----|----|----|----|-----------------|----|
| | | | | | | | | E3 | 1 | 2 | 3 | 4 | | 5 |
| M220 | 48 | 32 | 46 | 12 | 4,5 | 36 | 36 | 48 | 44 | 54 | 64 | 74 | 84 | 10 |
| M221 | 48 | 32 | 46 | 12 | 4,5 | 36 | 36 | 48 | 47 | 60 | 73 | 86 | 99 | 13 |
| M225 | 48 | 32 | 48 | 12 | 4,5 | 36 | 36 | 48 | 47 | 60 | 73 | 86 | 99 | 13 |
| T225 | 48 | 32 | 50 | 12 | 4,5 | 36 | 36 | 48 | 49 | 64 | 79 | 94 | 109 | 15 |

Base Mounting Switches

sälzer



Product lines
M200 / T200

Base mounting switch

Base/front mounting

Four hole mounting
48 x 48 mm front

012M1 (IP66)

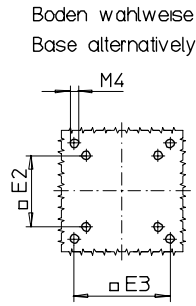
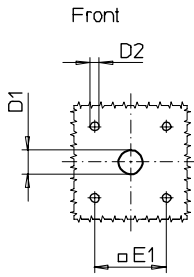
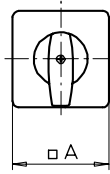
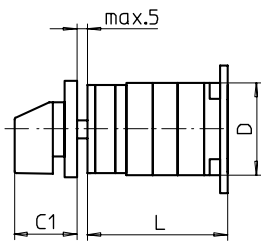
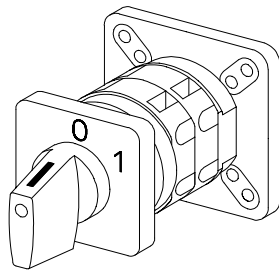
| Complete switch | Poles | Product line | Rated data (IEC 60947) | | | Order code number |
|--|----------|--------------|------------------------------------|--------------------------------|------------|------------------------------|
| | | | Operational current I _e | Operational power at 380–440 V | | |
| | | | AC-21A A | AC-23A kW | AC-3 kW | |
| Rotary Cam Switches Switching angle 30°/45°/60°/90° | 1 ... 24 | M200 | 20 | 7,5 | 5,5 | M220 - 61 ... - 012M1 |
| | | | 25 | 11 | 7,5 | M225 - 61 ... - 012M1 |
| | 1 ... 24 | T200 | 32 | 15 | 11 | T225 - 61 ... - 012M1 |

| SMD modules for basic switch | | | |
|---|--|-------------|--------------------------------|
| Mounting form module for 012M1 | | M200 / T200 | BFA2 - 012 |
| M-operator module 64 x 64 mm, mounting form 012M1 | | | 4AM1 |
| Escutcheon black, handle black | | | |
| Legend plate silver, operator module 022M1 | | | FAS4 - (FA number) |

| Dimensions (mm) | | | | | | | | | | | | | | |
|-----------------|----|----|----|----|-----|----|----|-----------------------------|----|----|----|----|-----------------|----|
| Product lines | A | C1 | D | D1 | D2 | E1 | E2 | L with ... stages (max. 12) | | | | | each add. stage | |
| | | | | | | | | E3 | 1 | 2 | 3 | 4 | | 5 |
| M220 | 48 | 32 | 46 | 12 | 4,5 | 48 | 36 | 48 | 44 | 54 | 64 | 74 | 84 | 10 |
| M221 | 48 | 32 | 46 | 12 | 4,5 | 48 | 36 | 48 | 47 | 60 | 73 | 86 | 99 | 13 |
| M225 | 48 | 32 | 48 | 12 | 4,5 | 48 | 36 | 48 | 47 | 60 | 73 | 86 | 99 | 13 |
| T225 | 48 | 32 | 50 | 12 | 4,5 | 48 | 36 | 48 | 49 | 64 | 79 | 94 | 109 | 15 |

Base Mounting Switches

sälzer



Product lines
M200 / T200

Base mounting switch

Base mounting
Four hole mounting
36 x 36 mm / 48 x 48 mm

M-operator module
Escutcheon 48 x 48 mm

155M1 (IP40)

| Complete switch | Poles | Product line | Rated data (IEC 60947) | | | Order code number |
|--|----------|--------------|------------------------------------|--------------------------------|------------|------------------------------|
| | | | Operational current I _e | Operational power at 380–440 V | | |
| | | | AC-21A A | AC-23A kW | AC-3 kW | |
| Rotary Cam Switches Switching angle 30°/45°/60°/90° | 1 ... 24 | M200 | 20 | 7,5 | 5,5 | M220 - 61 ... - 155M1 |
| | | | 25 | 11 | 7,5 | M225 - 61 ... - 155M1 |
| | 1 ... 24 | T200 | 32 | 15 | 11 | T225 - 61 ... - 155M1 |

SMD modules for basic switch

Mounting form module for 155M1

M-operator module 48 x 48 mm, mounting form 155M1

Escutcheon black, handle black

Legend plate silver, operator module 155M1

M200 / T200

BFA2 - 155

2AM1

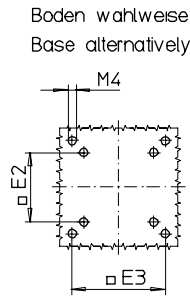
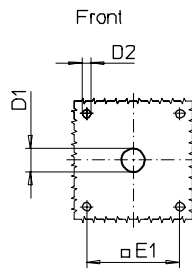
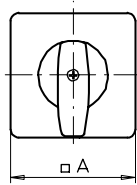
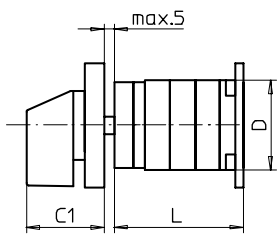
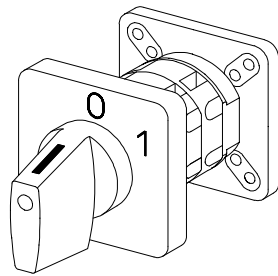
FAS2 - (FA number)

Dimensions (mm)

| Product lines | A | C1 | D | D1 | D2 | E1 | E2 | L with ... stages (max. 12) | | | | | each add. stage | |
|---------------|----|----|----|----|-----|----|----|-----------------------------|----|----|----|----|--------------------|----|
| | | | | | | | | E3 | 1 | 2 | 3 | 4 | | 5 |
| M220 | 48 | 32 | 46 | 12 | 4,5 | 36 | 36 | 48 | 42 | 52 | 62 | 72 | 82 | 10 |
| M221 | 48 | 32 | 46 | 12 | 4,5 | 36 | 36 | 48 | 45 | 58 | 71 | 84 | 97 | 13 |
| M225 | 48 | 32 | 48 | 12 | 4,5 | 36 | 36 | 48 | 45 | 58 | 71 | 84 | 97 | 13 |
| T225 | 48 | 32 | 50 | 12 | 4,5 | 36 | 36 | 48 | 47 | 62 | 77 | 92 | 107 | 15 |

Base Mounting Switches

sälzer



Boden wahlweise
Base alternatively

Product lines
M200 / T200

Base mounting switch
Operator module of next size

Base mounting
Four hole mounting

36 x 36 mm / 48 x 48 mm

M-operator module

Escutcheon 64 x 64 mm

156M1 (IP40)

| Complete switch | Poles | Product line | Rated data (IEC 60947) | | | Order code number |
|--|----------|--------------|------------------------------------|--------------------------------|------------|------------------------------|
| | | | Operational current I _e | Operational power at 380–440 V | | |
| | | | AC-21A A | AC-23A kW | AC-3 kW | |
| Rotary Cam Switches Switching angle 30°/45°/60°/90° | 1 ... 24 | M200 | 20 | 7,5 | 5,5 | M220 - 61 ... - 156M1 |
| | | | 25 | 11 | 7,5 | M225 - 61 ... - 156M1 |
| | 1 ... 24 | T200 | 32 | 15 | 11 | T225 - 61 ... - 156M1 |

SMD modules for basic switch

Mounting form module for 156M1

M200 / T200

BFA2 - 156

M-operator module 64 x 64 mm, mounting form 156M1

4AM1

Escutcheon black, handle black

Legend plate silver, operator module 156M1

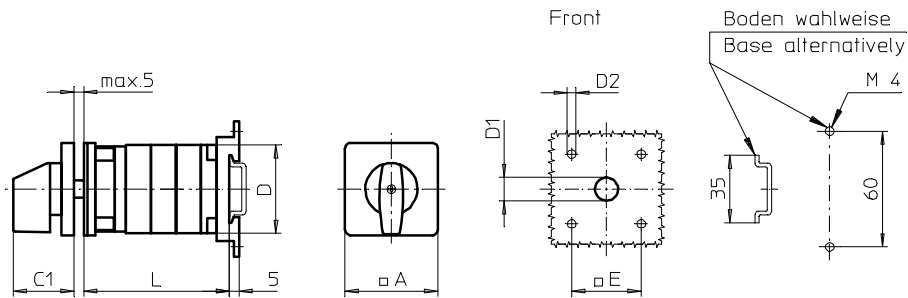
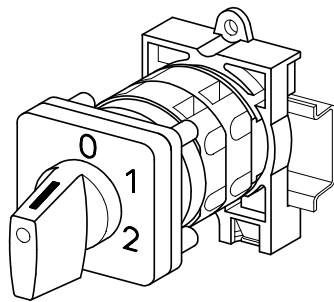
FAS4 - (FA number)

Dimensions (mm)

| Product lines | A | C1 | D | D1 | D2 | E1 | E2 | L with ... stages (max. 12) | | | | | each add. stage | |
|---------------|----|----|----|----|-----|----|----|-----------------------------|----|----|----|----|--------------------|----|
| | | | | | | | | E3 | 1 | 2 | 3 | 4 | | 5 |
| M220 | 64 | 39 | 46 | 12 | 4,5 | 48 | 36 | 48 | 42 | 52 | 62 | 72 | 82 | 10 |
| M221 | 64 | 39 | 46 | 12 | 4,5 | 48 | 36 | 48 | 45 | 58 | 71 | 84 | 97 | 13 |
| M225 | 64 | 39 | 48 | 12 | 4,5 | 48 | 36 | 48 | 45 | 58 | 71 | 84 | 97 | 13 |
| T225 | 64 | 39 | 50 | 12 | 4,5 | 48 | 36 | 48 | 47 | 62 | 77 | 92 | 107 | 15 |

Base Mounting Switches

sälzer



Product lines
M200 / T200

Base mounting switch

Base/front mounting
Snap on mounting

Four hole mounting
36 x 36 mm front

021M1 (IP66)

| Complete switch | Poles | Product line | Rated data (IEC 60947) | | | Order code number |
|--|----------|--------------|---------------------------|--------------------------------|------------|------------------------------|
| | | | Operational current I_e | Operational power at 380–440 V | | |
| | | | AC-21A A | AC-23A kW | AC-3 kW | |
| Rotary Cam Switches Switching angle 30°/45°/60°/90° | 1 ... 24 | M200 | 20 | 7,5 | 5,5 | M220 - 61 ... - 021M1 |
| | | | 25 | 11 | 7,5 | M225 - 61 ... - 021M1 |
| | 1 ... 24 | T200 | 32 | 15 | 11 | T225 - 61 ... - 021M1 |

SMD modules for basic switch

Mounting form module for 021M1

M200 / T200

BFA2 - 021

M-operator module 48 x 48 mm, mounting form 021M1

2AM1

Escutcheon black, handle black

Legend plate silver, operator module 021M1

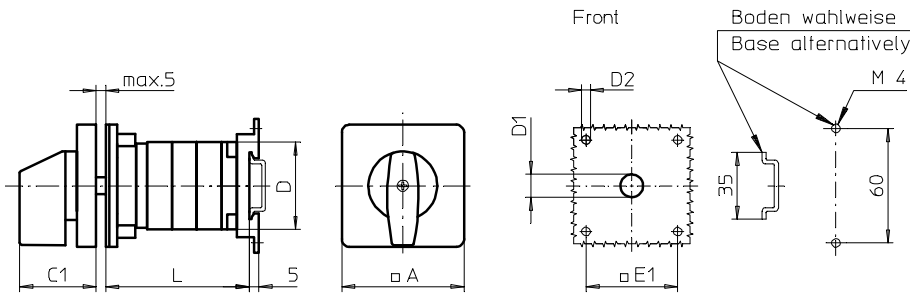
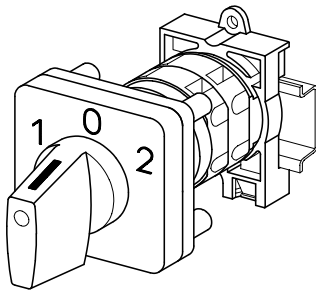
FAS2 - (FA number)

Dimensions (mm)

| Product lines | A | C1 | D | D1 | D2 | E | L with ... stages (max. 12) | | | | | | | each add. stage |
|---------------|----|----|----|----|-----|----|-----------------------------|----|----|----|-----|-----|-----|--------------------|
| | | | | | | | 1 | 2 | 3 | 4 | 5 | 6 | 7 | |
| M220 | 48 | 32 | 46 | 12 | 4,5 | 36 | 43 | 53 | 63 | 73 | 83 | 93 | 103 | 10 |
| M221 | 48 | 32 | 46 | 12 | 4,5 | 36 | 46 | 59 | 72 | 85 | 98 | 111 | 124 | 13 |
| M225 | 48 | 32 | 48 | 12 | 4,5 | 36 | 46 | 59 | 72 | 85 | 98 | 111 | 124 | 13 |
| T225 | 48 | 32 | 50 | 12 | 4,5 | 36 | 48 | 63 | 78 | 93 | 108 | 123 | 138 | 15 |

Base Mounting Switches

sälzer



Product lines
M200 / T200

Base mounting switch

Base/front mounting
Snap on mounting

Four hole mounting
48 x 48 mm front

022M1 (IP66)

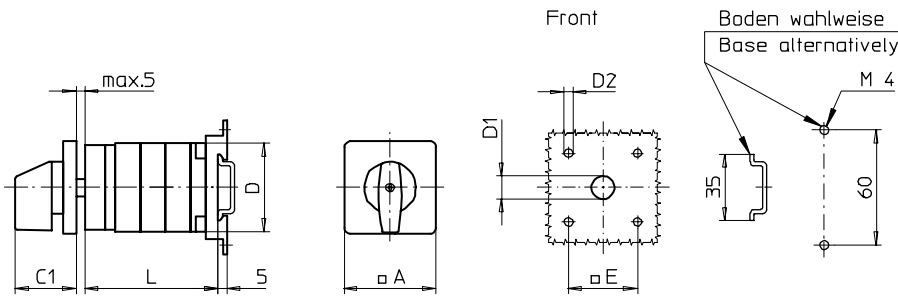
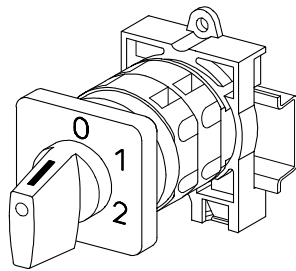
| Complete switch | Poles | Product line | Rated data (IEC 60947) | | | Order code number |
|--|----------|--------------|------------------------------------|--------------------------------|------------|------------------------------|
| | | | Operational current I _e | Operational power at 380–440 V | | |
| | | | AC-21A A | AC-23A kW | AC-3 kW | |
| Rotary Cam Switches Switching angle 30°/45°/60°/90° | 1 ... 24 | M200 | 20 | 7,5 | 5,5 | M220 - 61 ... - 022M1 |
| | | | 25 | 11 | 7,5 | M225 - 61 ... - 022M1 |
| | 1 ... 24 | T200 | 32 | 15 | 11 | T225 - 61 ... - 022M1 |

| SMD modules for basic switch | | | |
|---|--|-------------|--------------------------------|
| Mounting form module for 022M1 | | M200 / T200 | BFA2 - 022 |
| M-operator module 64 x 64 mm, mounting form 022M1 | | | 4AM1 |
| Escutcheon black, handle black | | | |
| Legend plate silver, operator module 022M1 | | | FAS4 - (FA number) |

| Dimensions (mm) | | | | | | | | | | | | | | |
|-----------------|----|----|----|----|----|----|-----------------------------|----|----|----|-----|-----------------|-----|----|
| Product lines | A | C1 | D | D1 | D2 | E | L with ... stages (max. 12) | | | | | each add. stage | | |
| | | | | | | | 1 | 2 | 3 | 4 | 5 | 6 | 7 | |
| M220 | 64 | 39 | 46 | 15 | 5 | 48 | 43 | 53 | 63 | 73 | 83 | 93 | 103 | 10 |
| M221 | 64 | 39 | 46 | 15 | 5 | 48 | 46 | 59 | 72 | 85 | 98 | 111 | 124 | 13 |
| M225 | 64 | 39 | 48 | 15 | 5 | 48 | 46 | 59 | 72 | 85 | 98 | 111 | 124 | 13 |
| T225 | 64 | 39 | 50 | 15 | 5 | 48 | 48 | 63 | 78 | 93 | 108 | 123 | 138 | 15 |

Base Mounting Switches

sälzer



Product lines
M200 / T200

Base mounting switch

Base/front mounting
Snap on mounting

M-operator module
48 x 48 mm Escutcheon

157M1 (IP40)

| Complete switch | Poles | Product line | Rated data (IEC 60947) | | | Order code number |
|--|----------|--------------|------------------------------------|--------------------------------|------------|------------------------------|
| | | | Operational current I _e | Operational power at 380–440 V | | |
| | | | AC-21A A | AC-23A kW | AC-3 kW | |
| Rotary Cam Switches Switching angle 30°/45°/60°/90° | 1 ... 24 | M200 | 20 | 7,5 | 5,5 | M220 - 61 ... - 157M1 |
| | | | 25 | 11 | 7,5 | M225 - 61 ... - 157M1 |
| | 1 ... 24 | T200 | 32 | 15 | 11 | T225 - 61 ... - 157M1 |

SMD modules for basic switch

Mounting form module for 157M1

M200 / T200

BFA2 - 157

M-operator module 48 x 48 mm, mounting form 157M1

2AM1

Escutcheon black, handle black

Legend plate silver, operator module 157M1

FAS2 - (FA number)

Dimensions (mm)

| Product lines | A | C1 | D | D1 | D2 | E | L with ... stages (max. 12) | | | | 5 | 6 | 7 | each add. stage |
|---------------|----|----|----|----|-----|----|-----------------------------|----|----|----|-----|-----|-----|--------------------|
| | | | | | | | 1 | 2 | 3 | 4 | | | | |
| M220 | 48 | 32 | 46 | 12 | 4,5 | 36 | 41 | 51 | 61 | 71 | 81 | 91 | 101 | 10 |
| M221 | 48 | 32 | 46 | 12 | 4,5 | 36 | 44 | 57 | 70 | 83 | 96 | 109 | 122 | 13 |
| M225 | 48 | 32 | 48 | 12 | 4,5 | 36 | 44 | 57 | 70 | 83 | 96 | 109 | 122 | 13 |
| T225 | 48 | 32 | 50 | 12 | 4,5 | 36 | 46 | 61 | 76 | 91 | 106 | 121 | 136 | 15 |

Base Mounting Switches

sälzer

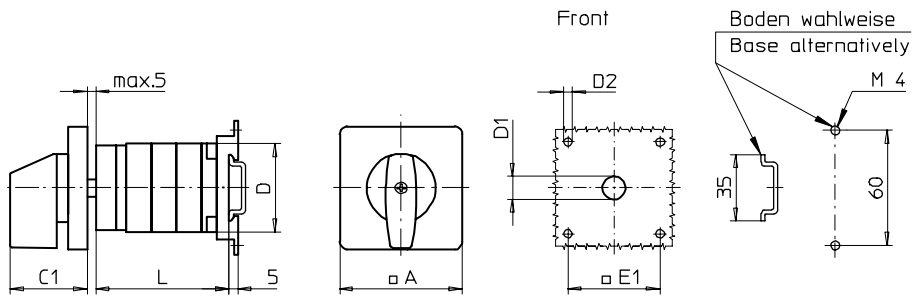
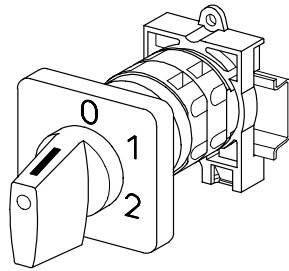
Product lines
M200 / T200

Base mounting switch
Operator module of next size

Base/front mounting
Snap on mounting

M-operator module
Escutcheon 64 x 64 mm

158M1 (IP40)



| Complete switch | Poles | Product line | Rated data (IEC 60947) | | | Order code number |
|--|----------|--------------|------------------------------------|--------------------------------|------------|------------------------------|
| | | | Operational current I _e | Operational power at 380–440 V | | |
| | | | AC-21A A | AC-23A kW | AC-3 kW | |
| Rotary Cam Switches Switching angle 30°/45°/60°/90° | 1 ... 24 | M200 | 20 | 7,5 | 5,5 | M220 - 61 ... - 158M1 |
| | | | 25 | 11 | 7,5 | M225 - 61 ... - 158M1 |
| | 1 ... 24 | T200 | 32 | 15 | 11 | T225 - 61 ... - 158M1 |

SMD modules for basic switch

Mounting form module for 158M1

M200 / T200

BFA2 - 158

M-operator module 48 x 48 mm, mounting form 158M1

4AM1

Escutcheon black, handle black

Legend plate silver, operator module 158M1

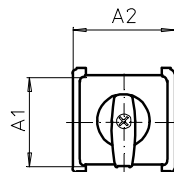
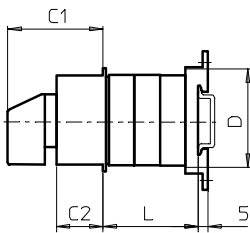
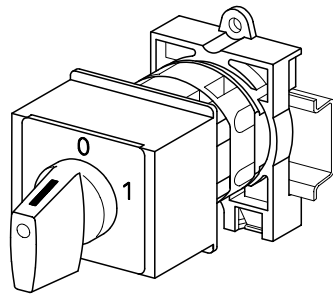
FAS4 - (FA number)

Dimensions (mm)

| Product lines | A | C1 | D | D1 | D2 | E | L with ... stages (max. 12) | | | | | each add. stage | | |
|---------------|----|----|----|----|-----|----|-----------------------------|----|----|----|-----|-----------------|-----|----|
| | | | | | | | 1 | 2 | 3 | 4 | 5 | | 6 | 7 |
| M220 | 64 | 39 | 46 | 12 | 4,5 | 48 | 41 | 51 | 61 | 71 | 81 | 91 | 101 | 10 |
| M221 | 64 | 39 | 46 | 12 | 4,5 | 48 | 44 | 57 | 70 | 83 | 96 | 109 | 122 | 13 |
| M225 | 64 | 39 | 48 | 12 | 4,5 | 48 | 44 | 57 | 70 | 83 | 96 | 109 | 122 | 13 |
| T225 | 64 | 39 | 50 | 12 | 4,5 | 48 | 46 | 61 | 76 | 91 | 106 | 121 | 136 | 15 |

Base Mounting Switches

sälzer



Product lines
M200 / T200

Base mounting switch

Base/front mounting
Snap on mounting

DIN rail
with cover plate
45 mm aperture

026M1 (IP40)

| Complete switch | Poles | Product line | Rated data (IEC 60947) | | | Order code number |
|--|----------|--------------|------------------------------------|--------------------------------|------------|------------------------------|
| | | | Operational current I _e | Operational power at 380–440 V | | |
| | | | AC-21A A | AC-23A kW | AC-3 kW | |
| Rotary Cam Switches Switching angle 30°/45°/60°/90° | 1 ... 24 | M200 | 20 | 7,5 | 5,5 | M220 - 61 ... - 026M1 |
| | | | 25 | 11 | 7,5 | M225 - 61 ... - 026M1 |
| | 1 ... 24 | T200 | 32 | 15 | 11 | T225 - 61 ... - 026M1 |

SMD modules for basic switch

Mounting form/operator module grey
With M-handle black, mounting form 026M1

M200 / T200

BFC2 - 026M1

Legend plate silver, mounting form/operator module 026M1

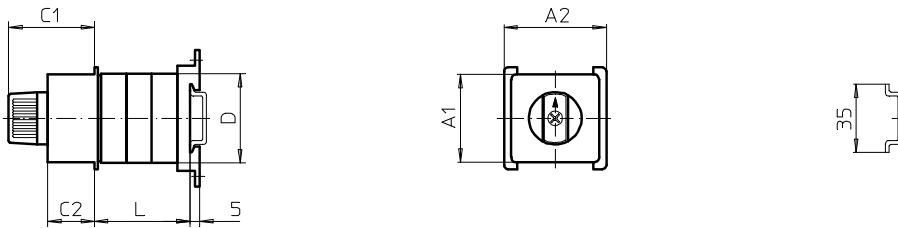
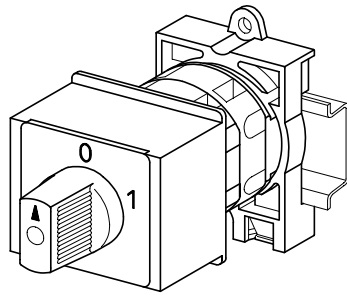
FAV2 - (FA number)

Dimensions (mm)

| Product lines | A1 | A2 | C1 | C2 | D | L with ... stages (max. 12) | | | | | | | each add. stage |
|---------------|----|------|----|----|----|-----------------------------|----|----|----|----|-----|-----|--------------------|
| | | | | | | 1 | 2 | 3 | 4 | 5 | 6 | 7 | |
| M220 | 45 | 52,5 | 50 | 24 | 46 | 25 | 35 | 45 | 55 | 65 | 75 | 85 | 10 |
| M221 | 45 | 52,5 | 50 | 24 | 46 | 28 | 41 | 54 | 67 | 80 | 93 | 106 | 13 |
| M225 | 45 | 52,5 | 50 | 24 | 48 | 28 | 41 | 54 | 67 | 80 | 93 | 106 | 13 |
| T225 | 45 | 52,5 | 50 | 24 | 50 | 30 | 45 | 60 | 75 | 90 | 105 | 120 | 15 |

Base Mounting Switches

sälzer



Product lines
M200 / T200

Base mounting switch

Base/front mounting
Snap on mounting

DIN rail
with cover plate
45 mm aperture

026N2 (IP40)

| Complete switch | Poles | Product line | Rated data (IEC 60947) | | | Order code number |
|--|----------|--------------|------------------------------------|--------------------------------|------------|------------------------------|
| | | | Operational current I _e | Operational power at 380–440 V | | |
| | | | AC-21A A | AC-23A kW | AC-3 kW | |
| Rotary Cam Switches Switching angle 30°/45°/60°/90° | 1 ... 24 | M200 | 20 | 7,5 | 5,5 | M220 - 61 ... - 026N2 |
| | | | 25 | 11 | 7,5 | M225 - 61 ... - 026N2 |
| | 1 ... 24 | T200 | 32 | 15 | 11 | T225 - 61 ... - 026N2 |

SMD modules for basic switch

Mounting form/operator module grey with
N-handle grey, mounting form 026N2
Legend plate silver, mounting form/operator module 026N2

M200 / T200

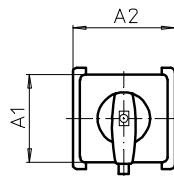
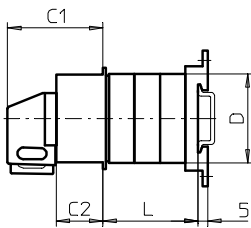
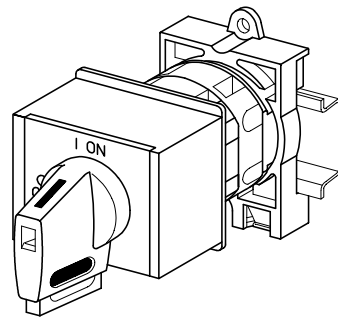
BFC2 - 026N2
FAV2 - (FA number)

Dimensions (mm)

| Product lines | A1 | A2 | C1 | C2 | D | L with ... stages (max. 12) | | | | | | | each add. stage |
|---------------|----|------|----|----|----|-----------------------------|----|----|----|----|-----|-----|--------------------|
| | | | | | | 1 | 2 | 3 | 4 | 5 | 6 | 7 | |
| M220 | 45 | 52,5 | 45 | 24 | 46 | 25 | 35 | 45 | 55 | 65 | 75 | 85 | 10 |
| M221 | 45 | 52,5 | 45 | 24 | 46 | 28 | 41 | 54 | 67 | 80 | 93 | 106 | 13 |
| M225 | 45 | 52,5 | 45 | 24 | 48 | 28 | 41 | 54 | 67 | 80 | 93 | 106 | 13 |
| T225 | 45 | 52,5 | 45 | 24 | 50 | 30 | 45 | 60 | 75 | 90 | 105 | 120 | 15 |

Base Mounting Switches

sälzer



Product lines
M200 / T200

Base mounting switch

Base/front mounting
Snap on mounting

DIN rail
with cover plate
45 mm aperture

026V1 (IP40)

026V4 (IP40)

| Complete switch | Poles | Product line | Rated data (IEC 60947) | | | Order code number |
|------------------------------|----------|--------------|------------------------------------|--------------------------------|------------|------------------------------|
| | | | Operational current I _e | Operational power at 380–440 V | | |
| | | | AC-21A A | AC-23A kW | AC-3 kW | |
| Main Switches | 1 ... 24 | M200 | 20 | 7,5 | 5,5 | M220 - 61 ... - 026V1 |
| Switching angle 90° | | | 25 | 11 | 7,5 | M225 - 61 ... - 026V1 |
| OFF position padlockable 09h | 1 ... 24 | T200 | 32 | 15 | 11 | T225 - 61 ... - 026V1 |
| Main/Emergency-Off Switches | 1 ... 24 | M200 | 20 | 7,5 | 5,5 | M220 - 61 ... - 026V4 |
| Switching angle 90° | | | 25 | 11 | 7,5 | M225 - 61 ... - 026V4 |
| OFF position padlockable 09h | 1 ... 24 | T200 | 32 | 15 | 11 | T225 - 61 ... - 026V4 |

SMD modules for basic switch

Mounting form/operator module grey with V-handle black, mounting form 026V1

M200 / T200

BFC2 - 026V1

FAV2 - (FA number)

Legend plate silver, mounting form/operator module 026V1

BFC2 - 026V4

Mounting form/operator module grey with V-handle red, mounting form 026V4

FBV2 - (FA number)

Legend plate yellow, mounting form/operator module 026V4

Dimensions (mm)

| Product lines | A1 | A2 | C1 | C2 | D | L with ... stages (max. 12) | | | | | | | each add. stage |
|---------------|----|------|----|----|----|-----------------------------|----|----|----|----|-----|-----|-----------------|
| | | | | | | 1 | 2 | 3 | 4 | 5 | 6 | 7 | |
| M220 | 45 | 52,5 | 50 | 24 | 46 | 25 | 35 | 45 | 55 | 65 | 75 | 85 | 10 |
| M221 | 45 | 52,5 | 50 | 24 | 46 | 28 | 41 | 54 | 67 | 80 | 93 | 106 | 13 |
| M225 | 45 | 52,5 | 50 | 24 | 48 | 28 | 41 | 54 | 67 | 80 | 93 | 106 | 13 |
| T225 | 45 | 52,5 | 50 | 24 | 50 | 30 | 45 | 60 | 75 | 90 | 105 | 120 | 15 |

Base Mounting Switches

sälzer

Product lines
M200 / T200

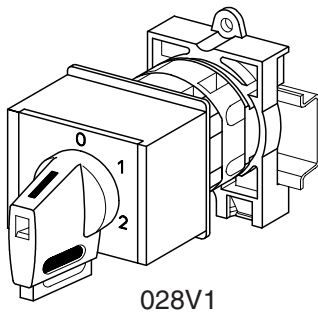
Base mounting switch

Base/front mounting
Snap on mounting

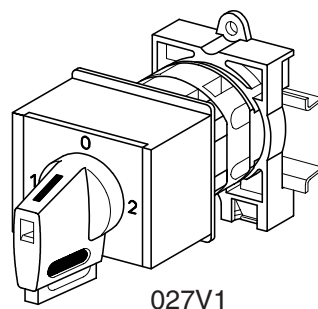
DIN rail
with cover plate
45 mm aperture

028V1 (IP40)

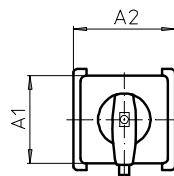
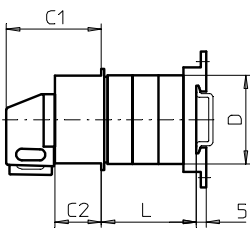
027V1 (IP40)



028V1



027V1



| Complete switch | Poles | Product line | Rated data (IEC 60947) | | | Order code number |
|--|----------|--------------|------------------------------------|--------------------------------|------------|------------------------------|
| | | | Operational current I _e | Operational power at 380–440 V | | |
| | | | AC-21A A | AC-23A kW | AC-3 kW | |
| Rotary Cam Switches Switching angle 30°/45°/60°/90° Padlockable 12h | 1 ... 24 | M200 / T200 | 20 | 7,5 | 5,5 | M220 - 61 ... - 028V1 |
| | | | 25 | 11 | 7,5 | M225 - 61 ... - 028V1 |
| | | | 32 | 15 | 11 | T225 - 61 ... - 028V1 |
| Rotary Cam Switches Switching angle 90° 3 positions padlockable (09h/12h/03h) | 1 ... 24 | M200 / T200 | 20 | 7,5 | 5,5 | M220 - 61 ... - 027V1 |
| | | | 25 | 11 | 7,5 | M225 - 61 ... - 027V1 |
| | | | 32 | 15 | 11 | T225 - 61 ... - 027V1 |

SMD modules for basic switch

Mounting form/operator module grey with V-handle black, mounting form 028V1

M200 / T200

BFB2 - 028V1

BFB2 - 027V1

Mounting form/operator module grey with V-handle black, mounting form 027V1

FAV2 - (FA number)

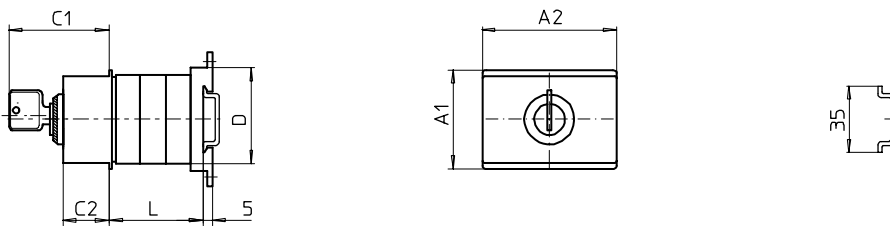
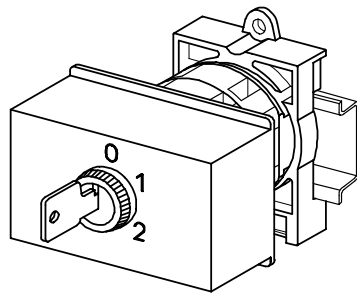
Legend plate silver, mounting form/operator module 026V1/ 027V1

Dimensions (mm)

| Product lines | A1 | A2 | C1 | C2 | D | L with ... stages (max. 12) | | | | | | | each add. stage |
|---------------|----|------|----|----|----|-----------------------------|----|----|----|----|-----|-----|-----------------|
| | | | | | | 1 | 2 | 3 | 4 | 5 | 6 | 7 | |
| M220 | 45 | 52,5 | 50 | 24 | 46 | 25 | 35 | 45 | 55 | 65 | 75 | 85 | 10 |
| M221 | 45 | 52,5 | 50 | 24 | 46 | 28 | 41 | 54 | 67 | 80 | 93 | 106 | 13 |
| M225 | 45 | 52,5 | 50 | 24 | 48 | 28 | 41 | 54 | 67 | 80 | 93 | 106 | 13 |
| T225 | 45 | 52,5 | 50 | 24 | 50 | 30 | 45 | 60 | 75 | 90 | 105 | 120 | 15 |

Base Mounting Switches

sälzer



Product lines
M200 / T200

Base mounting switch

Base/front mounting
Snap on mounting

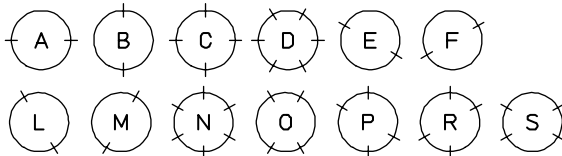
DIN rail
with cover plate
70x45 mm aperture

Key operated

V001. (IP40)

| Complete switch | Poles | Product line | Rated data (IEC 60947) | | | Order code number |
|--|----------|--------------|------------------------------------|--------------------------------|------------|------------------------------|
| | | | Operational current I _e | Operational power at 380–440 V | | |
| | | | AC-21A A | AC-23A kW | AC-3 kW | |
| Rotary Cam Switches Switching angle 60°/90° (30°/45° upon request) | 1 ... 16 | M200 | 20 | 7,5 | 5,5 | M220 - 61 ... - V001. |
| | 1 ... 12 | T200 | 25 | 11 | 7,5 | M225 - 61 ... - V001. |
| | | | 32 | 15 | 11 | T225 - 61 ... - V001. |

The dot in the order code number of the complete mounting form/operator module must be replaced by the classification letter which identifies the key removable positions:



Lines indicate the key removable positions.

SMD modules for basic switch

Mounting form module for V001.
With key operator and imprinted switching positions
Key lock DOM, key number 7 D1, 2 keys

M200 / T200

BFA2-V001-..... (FA number)

Dimensions (mm)

L with ... stages (M200: max. 12 / T200: max. 6)

| Product lines | A1 | A2 | C1 | C2 | D | 1 | 2 | 3 | 4 | 5 | 6 | 7 | 8 |
|---------------|----|----|----|----|----|----|----|----|----|----|-----|-----|-----|
| M220 | 45 | 70 | 61 | 29 | 46 | 31 | 41 | 51 | 61 | 71 | 81 | 91 | 101 |
| M221 | 45 | 70 | 61 | 29 | 46 | 34 | 47 | 60 | 73 | 86 | 93 | 106 | 119 |
| M225 | 45 | 70 | 61 | 29 | 48 | 34 | 47 | 60 | 73 | 86 | 93 | 106 | 119 |
| T225 | 45 | 70 | 61 | 29 | 50 | 36 | 51 | 66 | 81 | 96 | 111 | - | - |

Base Mounting Switches

sälzer

Product lines
M200 / T200

Base mounting switch

Door clutch

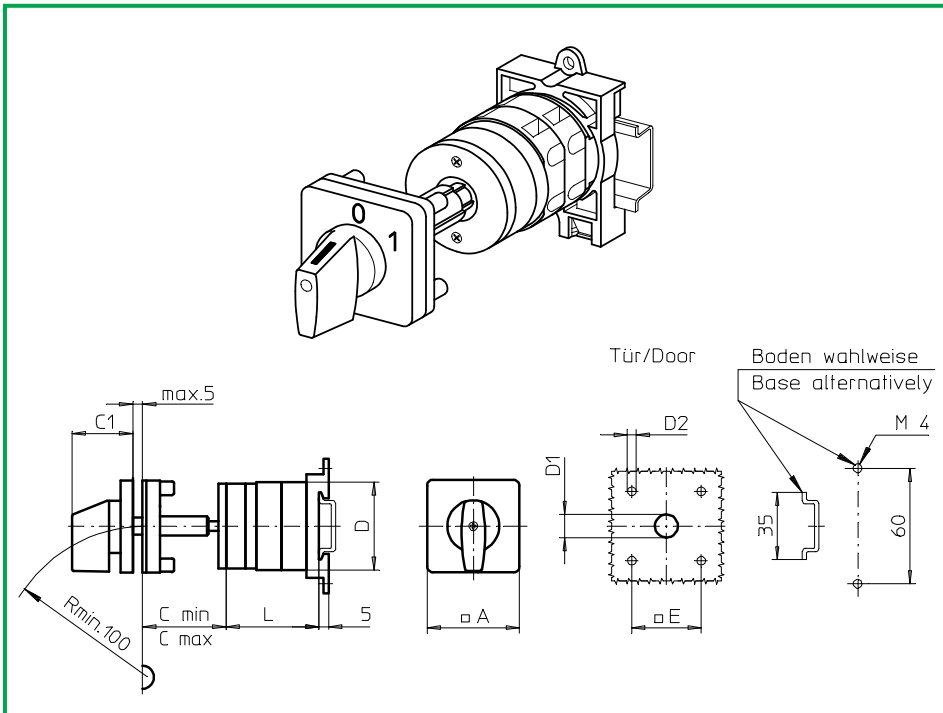
Modular shaft extension

Four hole mounting

36 x 36 mm front

Snap on mounting base plate

241M1 (IP66)



Complete switch

Poles

Product line

Rated data (IEC 60947)

Order code number

Operational current I_e

Operational power at 380–440 V

AC-21A AC-23A AC-3

A kW kW

| | | | | | | |
|--|----------|------|----|-----|-----|------------------------------|
| Rotary Cam Switches Switching angle 30°/45°/60°/90° | 1 ... 24 | M200 | 20 | 7,5 | 5,5 | M220 - 61 ... - 241M1 |
| | | | 25 | 11 | 7,5 | M225 - 61 ... - 241M1 |
| | 1 ... 24 | T200 | 32 | 15 | 11 | T225 - 61 ... - 241M1 |

SMD modules for basic switch

Mounting form module for 241M1

M200 / T200

BFB2 - 241

M-operator module 48 x 48 mm, mounting form 241M1

2AM1

Escutcheon black, handle black

Legend plate silver, operator module 241M1

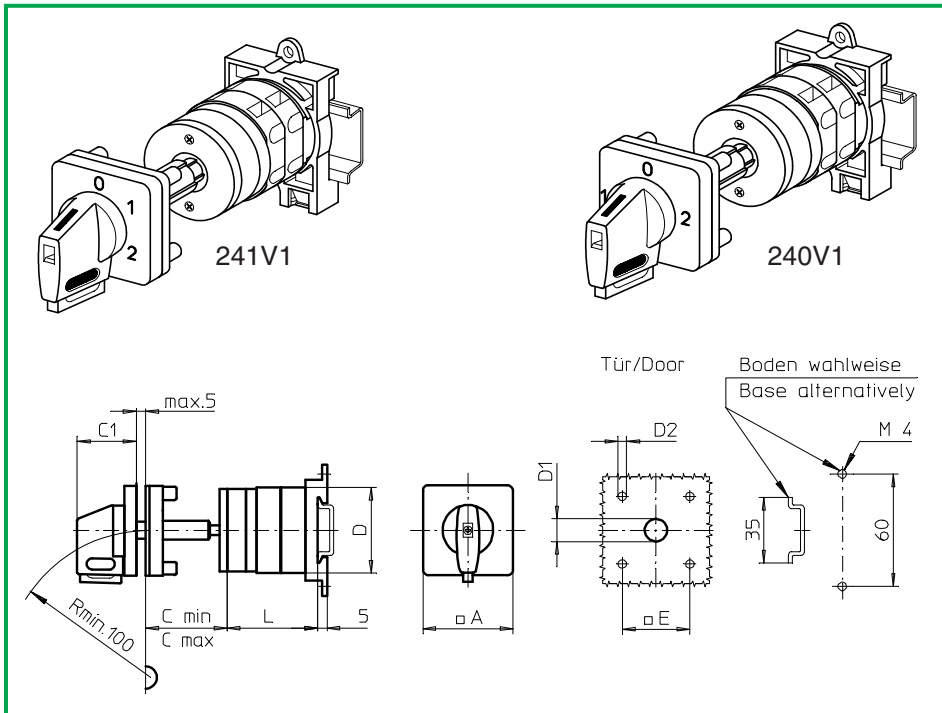
FAS2 - (FA number)

Dimensions (mm)

| Product lines | A | Cmin | Cmax | C1 | D | D1 | D2 | E | L with ... stages (max. 12) | | | | each add. stage |
|---------------|----|------|------|----|----|----|-----|----|-----------------------------|----|----|----|-----------------|
| | | | | | | | | | 1 | 2 | 3 | 4 | |
| M220 | 48 | 42 | 59 | 32 | 46 | 12 | 4,5 | 36 | 37 | 47 | 57 | 67 | 10 |
| M221 | 48 | 42 | 59 | 32 | 46 | 12 | 4,5 | 36 | 40 | 53 | 66 | 79 | 13 |
| M225 | 48 | 42 | 59 | 32 | 48 | 12 | 4,5 | 36 | 40 | 53 | 66 | 79 | 13 |
| T225 | 48 | 42 | 59 | 32 | 50 | 12 | 4,5 | 36 | 42 | 57 | 72 | 87 | 15 |

Base Mounting Switches

sälzer



Product lines
M200 / T200

Base mounting switch

Door clutch
Modular shaft extension

Four hole mounting
36 x 36 mm front
Snap on mounting base plate

241V1 (IP66)
240V1 (IP66)

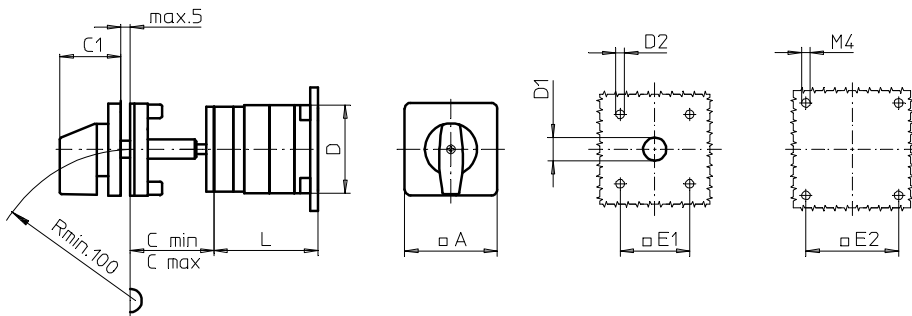
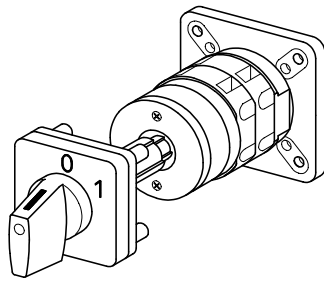
| Complete switch | Poles | Product line | Rated data (IEC 60947) | | | Order code number |
|--|----------|--------------|------------------------------------|--------------------------------|------------|------------------------------|
| | | | Operational current I _e | Operational power at 380–440 V | | |
| | | | AC-21A A | AC-23A kW | AC-3 kW | |
| Rotary Cam Switches Switching angle 30°/45°/60°/90° Padlockable 12h | 1 ... 24 | M200 | 20 | 7,5 | 5,5 | M220 - 61 ... - 241V1 |
| | | | 25 | 11 | 7,5 | M225 - 61 ... - 241V1 |
| | 1 ... 24 | T200 | 32 | 15 | 11 | T225 - 61 ... - 241V1 |
| Rotary Cam Switches Switching angle 90° 3 positions padlockable (09h/12h/03h) | 1 ... 24 | M200 | 20 | 7,5 | 5,5 | M220 - 61 ... - 240V1 |
| | | | 25 | 11 | 7,5 | M225 - 61 ... - 240V1 |
| | 1 ... 24 | T200 | 32 | 15 | 11 | T225 - 61 ... - 240V1 |

| SMD modules for basic switch | | | |
|---|--|-------------|--------------------------------|
| Mounting form module for 241V1/ 240V1 | | M200 / T200 | BFB2 - 241 |
| V-operator module 48 x 48 mm, mounting form 241V1 Escutcheon black, handle black | | | 2AV1 - 12 |
| V-operator module 48 x 48 mm, mounting form 240V1 Escutcheon black, handle black | | | 2AV1 - 99 |
| Legend plate silver, operator module 241V1/ 240V1 | | | FAS2 - (FA number) |

| Dimensions (mm) | | | | | | | | | | | | | |
|-----------------|----|------------------|------------------|----|----|----|-----|----|-----------------------------|----|----|----|-----------------|
| Product lines | A | C _{min} | C _{max} | C1 | D | D1 | D2 | E | L with ... stages (max. 12) | | | | each add. stage |
| | | | | | | | | | 1 | 2 | 3 | 4 | |
| M220 | 48 | 42 | 59 | 32 | 46 | 12 | 4,5 | 36 | 37 | 47 | 57 | 67 | 10 |
| M221 | 48 | 42 | 59 | 32 | 46 | 12 | 4,5 | 36 | 40 | 53 | 66 | 79 | 13 |
| M225 | 48 | 42 | 59 | 32 | 48 | 12 | 4,5 | 36 | 40 | 53 | 66 | 79 | 13 |
| T225 | 48 | 42 | 59 | 32 | 50 | 12 | 4,5 | 36 | 42 | 57 | 72 | 87 | 15 |

Base Mounting Switches

sälzer



Product lines
M200 / T200

Base mounting switch

Door clutch
Modular shaft extension

Four hole mounting
36 x 36 mm front
48 x 48 mm base

041M1 (IP66)

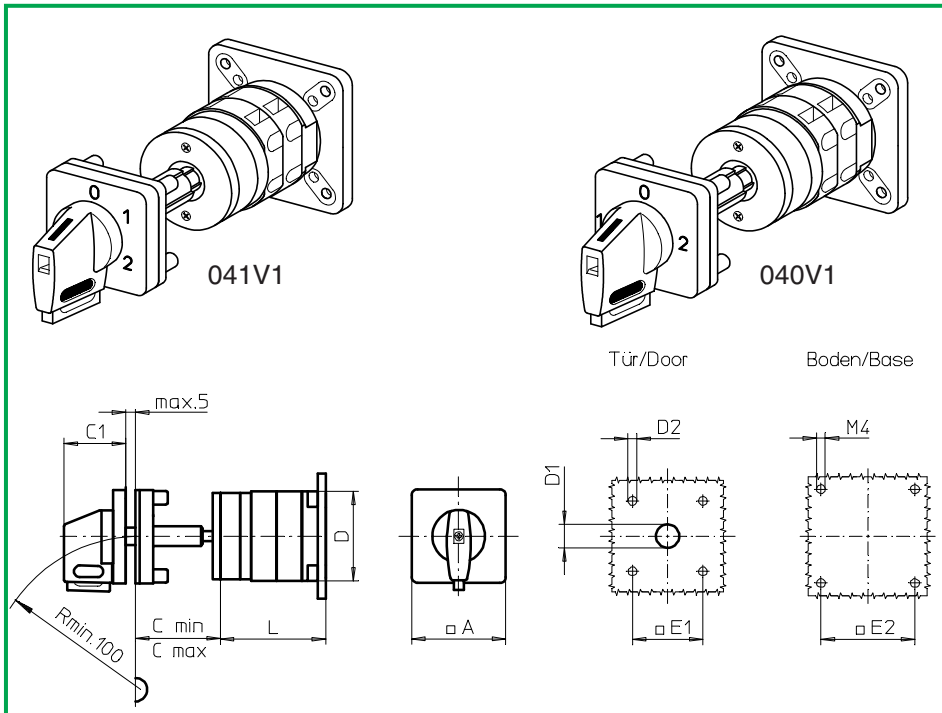
| Complete switch | Poles | Product line | Rated data (IEC 60947) | | | Order code number |
|--|----------|--------------|------------------------------------|--------------------------------|------------|------------------------------|
| | | | Operational current I _e | Operational power at 380–440 V | | |
| | | | AC-21A A | AC-23A kW | AC-3 kW | |
| Rotary Cam Switches Switching angle 30°/45°/60°/90° | 1 ... 24 | M200 | 20 | 7,5 | 5,5 | M220 - 61 ... - 041M1 |
| | | | 25 | 11 | 7,5 | M225 - 61 ... - 041M1 |
| | 1 ... 24 | T200 | 32 | 15 | 11 | T225 - 61 ... - 041M1 |

| SMD modules for basic switch | | | |
|---|--|-------------|--------------------------------|
| Mounting form module for 041M1 | | M200 / T200 | BFB2 - 041 |
| M-operator module 48 x 48 mm, mounting form 041M1 | | | 2AM1 |
| Escutcheon black, handle black | | | |
| Legend plate silver, operator module 041M1 | | | FAS2 - (FA number) |

| Dimensions (mm) | | | | | | | | | | L with ... stages (max. 12) each add. stage | | | |
|-----------------|----|------|------|----|----|----|-----|----|----|---|----|----|----|
| Product lines | A | Cmin | Cmax | C1 | D | D1 | D2 | E1 | E2 | 1 | 2 | 3 | |
| M220 | 48 | 42 | 59 | 32 | 46 | 12 | 4,5 | 36 | 48 | 38 | 48 | 58 | 10 |
| M221 | 48 | 42 | 59 | 32 | 46 | 12 | 4,5 | 36 | 48 | 41 | 54 | 67 | 13 |
| M225 | 48 | 42 | 59 | 32 | 48 | 12 | 4,5 | 36 | 48 | 41 | 54 | 67 | 13 |
| T225 | 48 | 42 | 59 | 32 | 50 | 12 | 4,5 | 36 | 48 | 43 | 58 | 73 | 15 |

Base Mounting Switches

sälzer



Product lines
M200 / T200

Base mounting switch

Door clutch
Modular shaft extension

Four hole mounting
36 x 36 mm front
48 x 48 mm base

041V1 (IP66)

040V1 (IP66)

| Complete switch | Poles | Product line | Rated data (IEC 60947) | | | Order code number |
|--|----------|--------------|------------------------------------|--------------------------------|------------|------------------------------|
| | | | Operational current I _e | Operational power at 380–440 V | | |
| | | | AC-21A A | AC-23A kW | AC-3 kW | |
| Rotary Cam Switches Switching angle 30°/45°/60°/90° Padlockable 12h | 1 ... 24 | M200 | 20 | 7,5 | 5,5 | M220 - 61 ... - 041V1 |
| | | | 25 | 11 | 7,5 | M225 - 61 ... - 041V1 |
| | 1 ... 24 | T200 | 32 | 15 | 11 | T225 - 61 ... - 041V1 |
| Rotary Cam Switches Switching angle 90° 3 positions padlockable (09h/12h/03h) | 1 ... 24 | M200 | 20 | 7,5 | 5,5 | M220 - 61 ... - 040V1 |
| | | | 25 | 11 | 7,5 | M225 - 61 ... - 040V1 |
| | 1 ... 24 | T200 | 32 | 15 | 11 | T225 - 61 ... - 040V1 |

SMD modules for basic switch

Mounting form module for 041V1/ 040V1

M200 / T200

BFB2 - 041

V-operator module 48 x 48 mm, mounting form 041V1
Escutcheon black, handle black

2AV1 - 12

V-operator module 48 x 48 mm, mounting form 040V1
Escutcheon black, handle black

2AV1 - 99

Legend plate silver, operator module 041V1/ 040V1

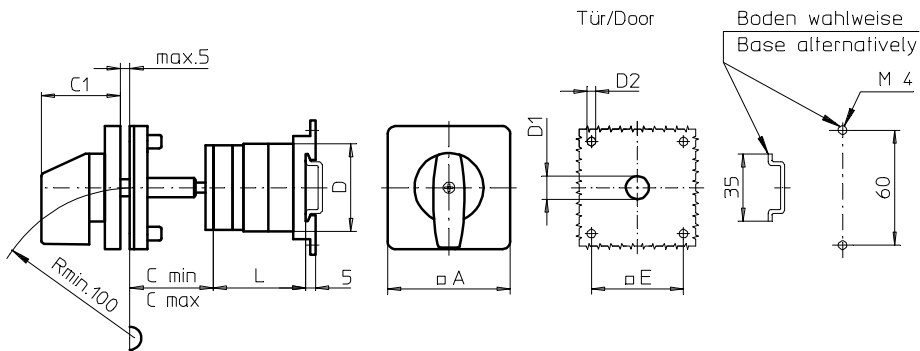
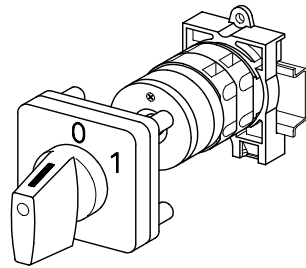
FAS2 - (FA number)

Dimensions (mm)

| Product lines | A | C _{min} | C _{max} | C1 | D | D1 | D2 | E1 | E2 | L with ... stages (max. 12) each add. | | | stage |
|---------------|----|------------------|------------------|----|----|----|-----|----|----|---------------------------------------|----|----|-------|
| | | | | | | | | | | 1 | 2 | 3 | |
| M220 | 48 | 42 | 59 | 32 | 46 | 12 | 4,5 | 36 | 48 | 38 | 48 | 58 | 10 |
| M221 | 48 | 42 | 59 | 32 | 46 | 12 | 4,5 | 36 | 48 | 41 | 54 | 67 | 13 |
| M225 | 48 | 42 | 59 | 32 | 48 | 12 | 4,5 | 36 | 48 | 41 | 54 | 67 | 13 |
| T225 | 48 | 42 | 59 | 32 | 50 | 12 | 4,5 | 36 | 48 | 43 | 58 | 73 | 15 |

Base Mounting Switches

sälzer



Product lines
M200 / T200

Base mounting switch
Operator module of next size

Door clutch
Modular shaft extension

Four hole mounting
48 x 48 mm front
Snap on mounting base plate

247M1 (IP66)

| Complete switch | Poles | Product line | Rated data (IEC 60947) | | | Order code number |
|--|----------|--------------|------------------------------------|--------------------------------|------------|------------------------------|
| | | | Operational current I _e | Operational power at 380–440 V | | |
| | | | AC-21A A | AC-23A kW | AC-3 kW | |
| Rotary Cam Switches Switching angle 30°/45°/60°/90° | 1 ... 24 | M200 | 20 | 7,5 | 5,5 | M220 - 61 ... - 247M1 |
| | | | 25 | 11 | 7,5 | M225 - 61 ... - 247M1 |
| | 1 ... 24 | T200 | 32 | 15 | 11 | T225 - 61 ... - 247M1 |

SMD modules for basic switch

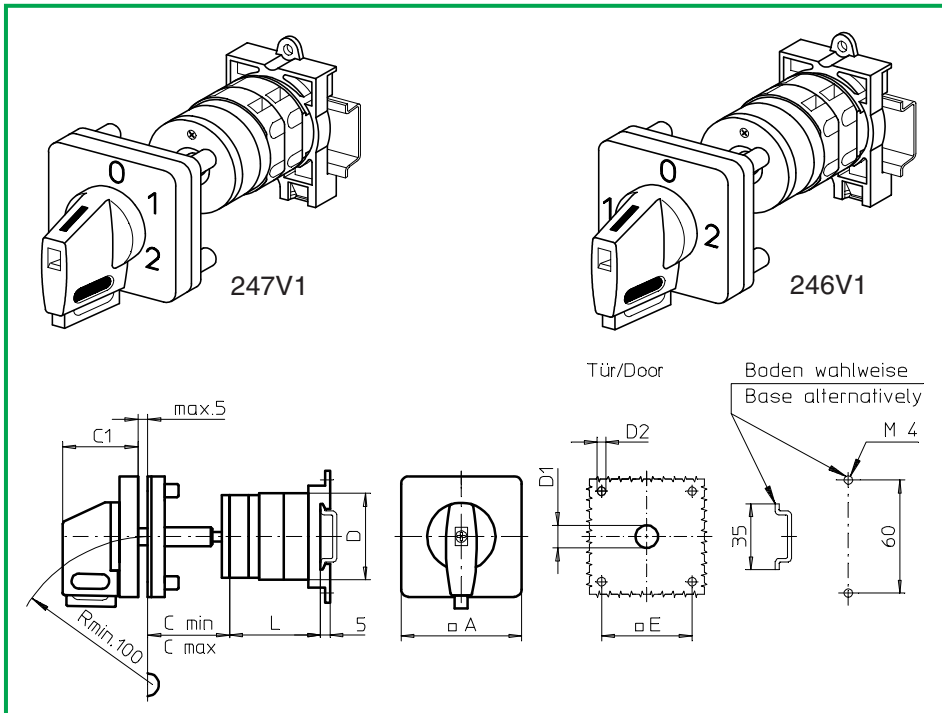
| | | |
|---|-------------|--------------------------------|
| Mounting form module for 247M1 | M200 / T200 | BFC2 - 247 |
| M-operator module 64 x 64 mm, mounting form 247M1 | | 4AM1 |
| Escutcheon black, handle black | | |
| Legend plate silver, operator module 247M1 | | FAS4 - (FA number) |

Dimensions (mm)

| Product lines | A | C _{min} | C _{max} | C1 | D | D1 | D2 | E | L with ... stages (max. 12) | | | | each add. stage |
|---------------|----|------------------|------------------|----|----|----|----|----|-----------------------------|----|----|----|-----------------|
| | | | | | | | | | 1 | 2 | 3 | 4 | |
| M220 | 64 | 42 | 59 | 39 | 46 | 15 | 5 | 48 | 37 | 47 | 57 | 67 | 10 |
| M221 | 64 | 42 | 59 | 39 | 46 | 15 | 5 | 48 | 40 | 53 | 66 | 79 | 13 |
| M225 | 64 | 42 | 59 | 39 | 48 | 15 | 5 | 48 | 40 | 53 | 66 | 79 | 13 |
| T225 | 64 | 42 | 59 | 39 | 50 | 15 | 5 | 48 | 42 | 57 | 72 | 87 | 15 |

Base Mounting Switches

sälzer



Product lines
M200 / T200

Base mounting switch
Operator module of next size

Door clutch
Modular shaft extension

Four hole mounting
48 x 48 mm front
Snap on mounting base plate

247V1 (IP66)

246V1 (IP66)

| Complete switch | Poles | Product line | Rated data (IEC 60947) | | | Order code number |
|--|----------|--------------|------------------------------------|--------------------------------|------------|------------------------------|
| | | | Operational current I _e | Operational power at 380–440 V | | |
| | | | AC-21A A | AC-23A kW | AC-3 kW | |
| Rotary Cam Switches Switching angle 30°/45°/60°/90° Padlockable 12h | 1 ... 24 | M200 | 20 | 7,5 | 5,5 | M220 - 61 ... - 247V1 |
| | | | 25 | 11 | 7,5 | M225 - 61 ... - 247V1 |
| | 1 ... 24 | T200 | 32 | 15 | 11 | T225 - 61 ... - 247V1 |
| Rotary Cam Switches Switching angle 90° 3 positions padlockable (09h/12h/03h) | 1 ... 24 | M200 | 20 | 7,5 | 5,5 | M220 - 61 ... - 246V1 |
| | | | 25 | 11 | 7,5 | M225 - 61 ... - 246V1 |
| | 1 ... 24 | T200 | 32 | 15 | 11 | T225 - 61 ... - 246V1 |

SMD modules for basic switch

Mounting form module for 247V1/ 246V1

M200 / T200

BFC2 - 247

V-operator module 64 x 64 mm, mounting form 247V1
Escutcheon black, handle black

4AV1 - 12

V-operator module 64 x 64 mm, mounting form 246V1
Escutcheon black, handle black

4AV1 - 99

Legend plate silver, operator module 247V1/ 246V1

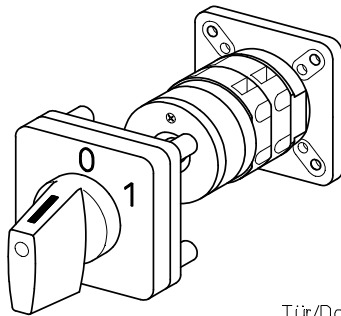
FAS4 - (FA number)

Dimensions (mm)

| Product lines | A | C _{min} | C _{max} | C1 | D | D1 | D2 | E | L with ... stages (max. 12) | | | | each add. stage |
|---------------|----|------------------|------------------|----|----|----|----|----|-----------------------------|----|----|----|-----------------|
| | | | | | | | | | 1 | 2 | 3 | 4 | |
| M220 | 64 | 42 | 59 | 39 | 46 | 15 | 5 | 48 | 37 | 47 | 57 | 67 | 10 |
| M221 | 64 | 42 | 59 | 39 | 46 | 15 | 5 | 48 | 40 | 53 | 66 | 79 | 13 |
| M225 | 64 | 42 | 59 | 39 | 48 | 15 | 5 | 48 | 40 | 53 | 66 | 79 | 13 |
| T225 | 64 | 42 | 59 | 39 | 50 | 15 | 5 | 48 | 42 | 57 | 72 | 87 | 15 |

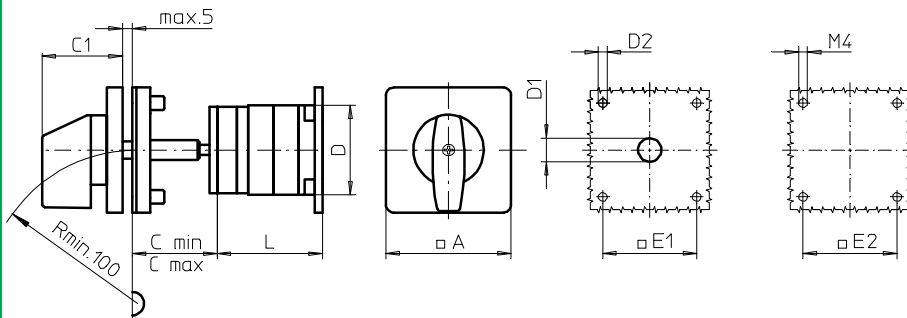
Base Mounting Switches

sälzer



Tür/Door

Boden/Base



Product lines
M200 / T200

Base mounting switch
Operator module of next size

Door clutch
Modular shaft extension

Four hole mounting
48 x 48 mm front
48 x 48 mm base

047M1 (IP66)

| Complete switch | Poles | Product line | Rated data (IEC 60947) | | | Order code number |
|--|----------|--------------|------------------------------------|--------------------------------|------------|------------------------------|
| | | | Operational current I _e | Operational power at 380–440 V | | |
| | | | AC-21A A | AC-23A kW | AC-3 kW | |
| Rotary Cam Switches Switching angle 30°/45°/60°/90° | 1 ... 24 | M200 | 20 | 7,5 | 5,5 | M220 - 61 ... - 047M1 |
| | | | 25 | 11 | 7,5 | M225 - 61 ... - 047M1 |
| | 1 ... 24 | T200 | 32 | 15 | 11 | T225 - 61 ... - 047M1 |

SMD modules for basic switch

Mounting form module for 047M1

M200 / T200

BFC2 - 047

M-operator module 64 x 64 mm, mounting form 047M1

4AM1

Escutcheon black, handle black

Legend plate silver, operator module 047M1

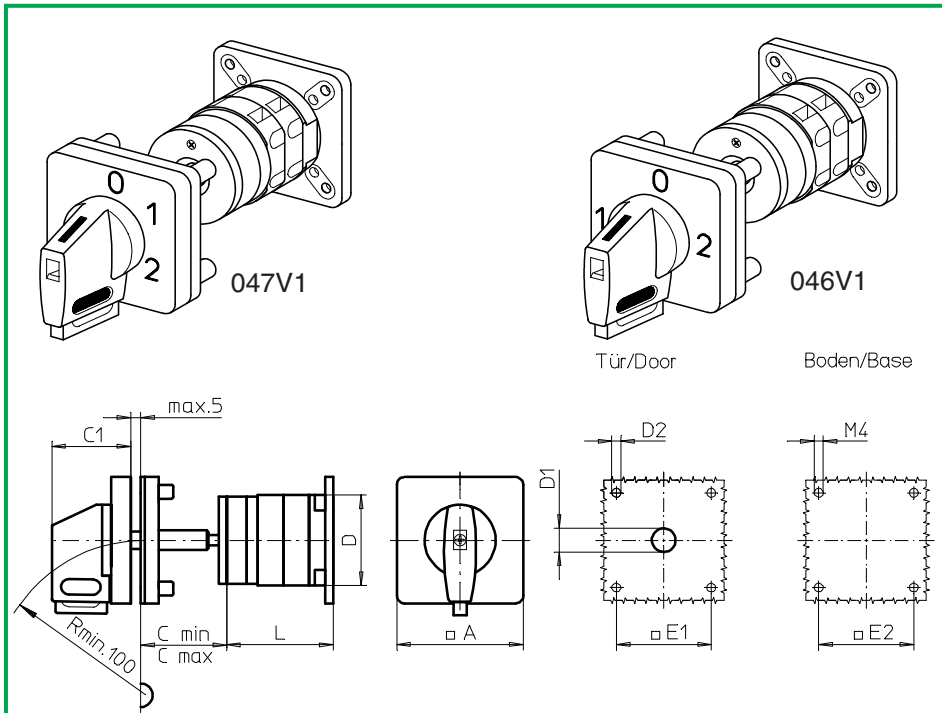
FAS4 - (FA number)

Dimensions (mm)

| Product lines | A | C _{min} | C _{max} | C1 | D | D1 | D2 | E1 | E2 | L with ... stages (max. 12) each add. | | | stage |
|---------------|----|------------------|------------------|----|----|----|----|----|----|---------------------------------------|----|----|-------|
| | | | | | | | | | | 1 | 2 | 3 | |
| M220 | 64 | 42 | 59 | 39 | 46 | 15 | 5 | 48 | 48 | 38 | 48 | 58 | 10 |
| M221 | 64 | 42 | 59 | 39 | 46 | 15 | 5 | 48 | 48 | 41 | 54 | 67 | 13 |
| M225 | 64 | 42 | 59 | 39 | 48 | 15 | 5 | 48 | 48 | 41 | 54 | 67 | 13 |
| T225 | 64 | 42 | 59 | 39 | 50 | 15 | 5 | 48 | 48 | 43 | 58 | 73 | 15 |

Base Mounting Switches

sälzer



Product lines
M200 / T200

Base mounting switch
Operator module of next size

Door clutch
Modular shaft extension

Four hole mounting
48 x 48 mm front
48 x 48 mm base

047V1 (IP66)
046V1 (IP66)

| Complete switch | Poles | Product line | Rated data (IEC 60947) | | | Order code number |
|--|----------|--------------|------------------------------------|--------------------------------|------------|------------------------------|
| | | | Operational current I _e | Operational power at 380–440 V | | |
| | | | AC-21A A | AC-23A kW | AC-3 kW | |
| Rotary Cam Switches Switching angle 30°/45°/60°/90° Padlockable 12h | 1 ... 24 | M200 | 20 | 7,5 | 5,5 | M220 - 61 ... - 047V1 |
| | | | 25 | 11 | 7,5 | M225 - 61 ... - 047V1 |
| | 1 ... 24 | T200 | 32 | 15 | 11 | T225 - 61 ... - 047V1 |
| Rotary Cam Switches Switching angle 90° 3 positions padlockable (09h/12h/03h) | 1 ... 24 | M200 | 20 | 7,5 | 5,5 | M220 - 61 ... - 046V1 |
| | | | 25 | 11 | 7,5 | M225 - 61 ... - 046V1 |
| | 1 ... 24 | T200 | 32 | 15 | 11 | T225 - 61 ... - 046V1 |

SMD modules for basic switch

Mounting form module for 047V1/ 046V1

M200 / T200

BFC2 -047

V-operator module 64 x 64 mm, mounting form 047V1
Escutcheon black, handle black

4AV1 - 12

V-operator module 64 x 64 mm, mounting form 046V1
Escutcheon black, handle black

4AV1 - 99

Legend plate silver, operator module 047V1/ 046V1

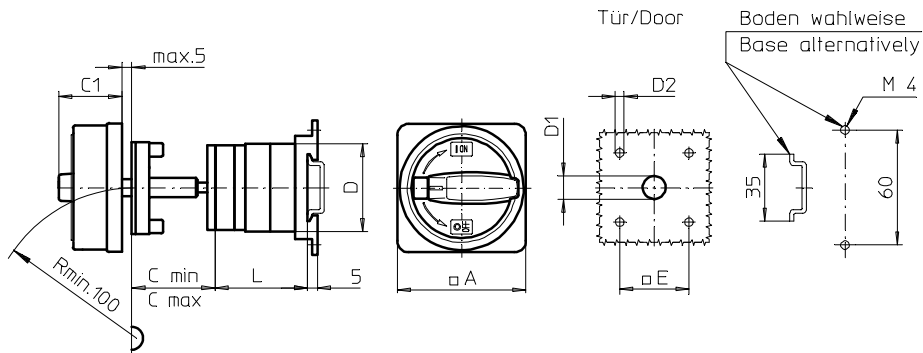
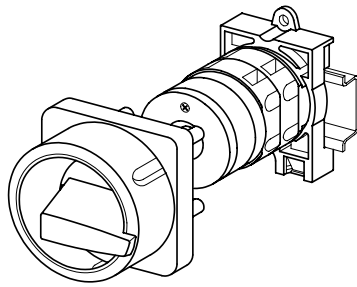
FAS4 - (FA number)

Dimensions (mm)

| Product lines | A | C _{min} | C _{max} | C1 | D | D1 | D2 | E1 | E2 | L with ... stages (max. 12) | | | each add. stage |
|---------------|----|------------------|------------------|----|----|----|----|----|----|-----------------------------|----|----|-----------------|
| | | | | | | | | | | 1 | 2 | 3 | |
| M220 | 64 | 42 | 59 | 39 | 46 | 15 | 5 | 48 | 48 | 38 | 48 | 58 | 10 |
| M221 | 64 | 42 | 59 | 39 | 46 | 15 | 5 | 48 | 48 | 41 | 54 | 67 | 13 |
| M225 | 64 | 42 | 59 | 39 | 48 | 15 | 5 | 48 | 48 | 41 | 54 | 67 | 13 |
| T225 | 64 | 42 | 59 | 39 | 50 | 15 | 5 | 48 | 48 | 43 | 58 | 73 | 15 |

Base Mounting Switches

sälzer



Product lines
M200 / T200

Base mounting switch

Door clutch

Modular shaft extension

Four hole mounting

36 x 36 mm front

Snap on mounting base plate

232M1 (IP66)

232M4 (IP66)

| Complete switch | Poles | Product line | Rated data (IEC 60947) | | | Order code number |
|------------------------------|----------|--------------|------------------------------------|--------------------------------|------------|------------------------------|
| | | | Operational current I _e | Operational power at 380–440 V | | |
| | | | AC-21A A | AC-23A kW | AC-3 kW | |
| Main Switches | 1 ... 24 | M200 | 20 | 7,5 | 5,5 | M220 - 61 ... - 232M1 |
| Switching angle 90° | | | 25 | 11 | 7,5 | M225 - 61 ... - 232M1 |
| OFF position padlockable 09h | 1 ... 24 | T200 | 32 | 15 | 11 | T225 - 61 ... - 232M1 |
| Main/Emergency-Off Switches | 1 ... 24 | M200 | 20 | 7,5 | 5,5 | M220 - 61 ... - 232M4 |
| Switching angle 90° | | | 25 | 11 | 7,5 | M225 - 61 ... - 232M4 |
| OFF position padlockable 09h | 1 ... 24 | T200 | 32 | 15 | 11 | T225 - 61 ... - 232M4 |

SMD modules for basic switch

Mounting form module for 232M.

M200 / T200

BFC2 - 232

M-padlock device 67 x 67 mm, mounting form 232M1
Escutcheon black, padlockable handle black

2CM1

M-padlock device 67 x 67 mm, mounting form 232M4
Escutcheon yellow, padlockable handle red

2CM4

Dimensions (mm)

| Product lines | A | C _{min} | C _{max} | C1 | D | D1 | D2 | E | L with ... stages (max. 12) | | | | each add. stage |
|---------------|----|------------------|------------------|----|----|----|-----|----|-----------------------------|----|----|----|-----------------|
| | | | | | | | | | 1 | 2 | 3 | 4 | |
| M220 | 67 | 42 | 59 | 38 | 46 | 15 | 4,5 | 36 | 37 | 47 | 57 | 67 | 10 |
| M221 | 67 | 42 | 59 | 38 | 46 | 15 | 4,5 | 36 | 40 | 53 | 66 | 79 | 13 |
| M225 | 67 | 42 | 59 | 38 | 48 | 15 | 4,5 | 36 | 40 | 53 | 66 | 79 | 13 |
| T225 | 67 | 42 | 59 | 38 | 50 | 15 | 4,5 | 36 | 42 | 57 | 72 | 87 | 15 |

Base Mounting Switches

sälzer

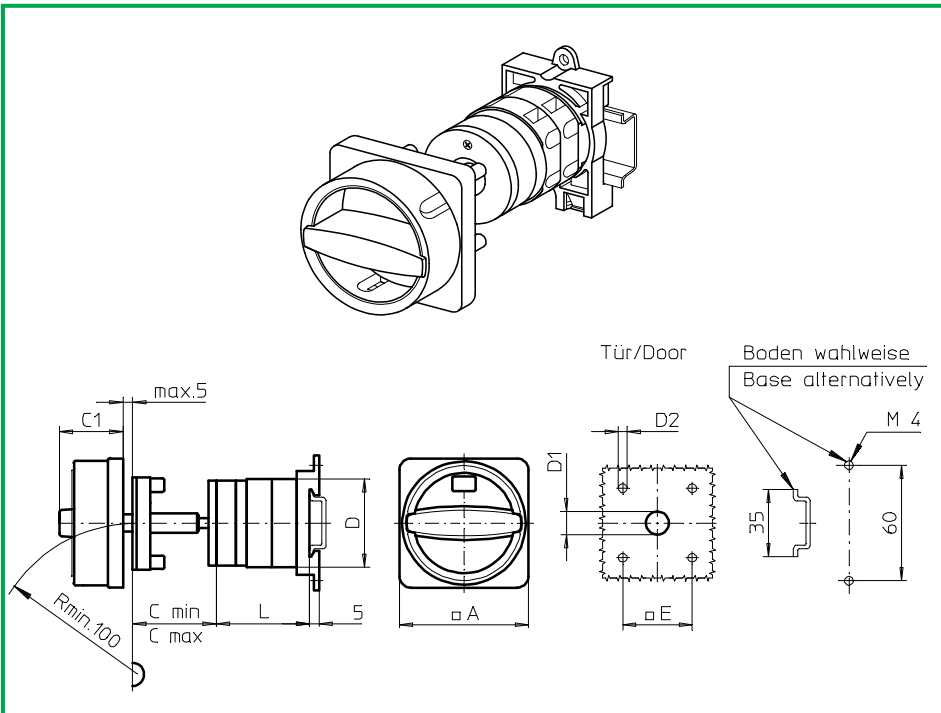
Product lines
M200 / T200

Base mounting switch

Door clutch
Modular shaft extension

Four hole mounting
36 x 36 mm front
Snap on mounting base plate

232N1 (IP66)
232N4 (IP66)



| Complete switch | Poles | Product line | Rated data (IEC 60947) | | | Order code number |
|------------------------------|----------|--------------|------------------------------------|--------------------------------|------------|------------------------------|
| | | | Operational current I _e | Operational power at 380–440 V | | |
| | | | AC-21A A | AC-23A kW | AC-3 kW | |
| Main Switches | 1 ... 24 | M200 | 20 | 7,5 | 5,5 | M220 - 61 ... - 232N1 |
| Switching angle 90° | | | 25 | 11 | 7,5 | M225 - 61 ... - 232N1 |
| OFF position padlockable 09h | 1 ... 24 | T200 | 32 | 15 | 11 | T225 - 61 ... - 232N1 |
| Main/Emergency-Off Switches | 1 ... 24 | M200 | 20 | 7,5 | 5,5 | M220 - 61 ... - 232N4 |
| Switching angle 90° | | | 25 | 11 | 7,5 | M225 - 61 ... - 232N4 |
| OFF position padlockable 09h | 1 ... 24 | T200 | 32 | 15 | 11 | T225 - 61 ... - 232N4 |

SMD modules for basic switch

Mounting form module for 232N.

M200 / T200

BFC2 - 232

N-padlock device 67 x 67 mm, mounting form 232N1
Escutcheon black, padlockable handle black

2CN1

N-padlock device 67 x 67 mm, mounting form 232N4
Escutcheon yellow, padlockable handle red

2CN4

Dimensions (mm)

| Product lines | A | C _{min} | C _{max} | C1 | D | D1 | D2 | E | L with ... stages (max. 12) | | | | each add. stage |
|---------------|----|------------------|------------------|----|----|----|-----|----|-----------------------------|----|----|----|-----------------|
| | | | | | | | | | 1 | 2 | 3 | 4 | |
| M220 | 67 | 42 | 59 | 33 | 46 | 15 | 4,5 | 36 | 37 | 47 | 57 | 67 | 10 |
| M221 | 67 | 42 | 59 | 33 | 46 | 15 | 4,5 | 36 | 40 | 53 | 66 | 79 | 13 |
| M225 | 67 | 42 | 59 | 33 | 48 | 15 | 4,5 | 36 | 40 | 53 | 66 | 79 | 13 |
| T225 | 67 | 42 | 59 | 33 | 50 | 15 | 4,5 | 36 | 42 | 57 | 72 | 87 | 15 |

Base Mounting Switches

sälzer

Product lines
M200 / T200

Base mounting switch

Door clutch

Modular shaft extension

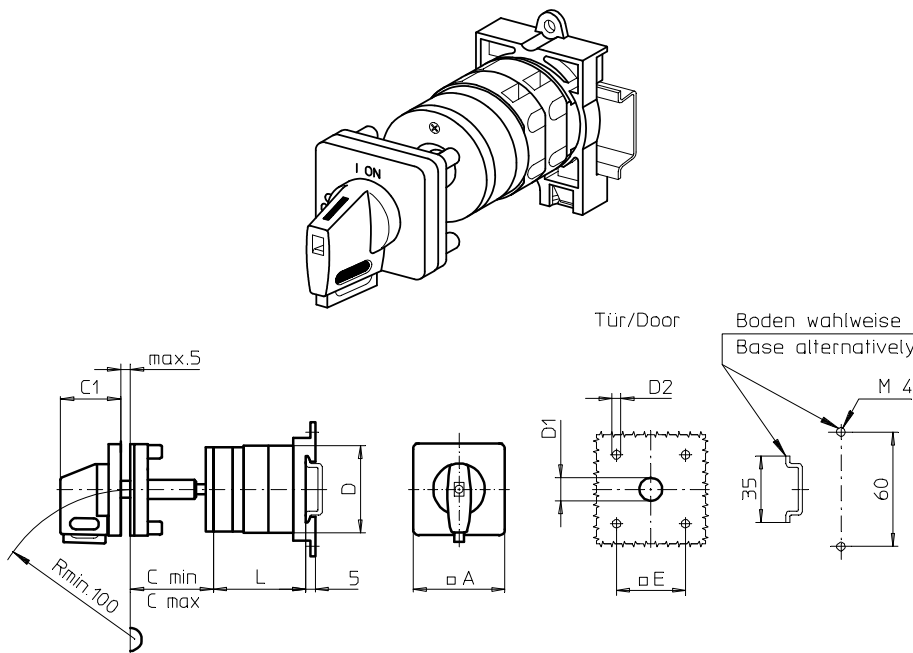
Four hole mounting

36 x 36 mm front

Snap on mounting base plate

232V1 (IP66)

232V4 (IP66)



| Complete switch | Poles | Product line | Rated data (IEC 60947) | | | Order code number |
|------------------------------|----------|--------------|------------------------------------|--------------------------------|------------|------------------------------|
| | | | Operational current I _e | Operational power at 380–440 V | | |
| | | | AC-21A A | AC-23A kW | AC-3 kW | |
| Main Switches | 1 ... 24 | M200 | 20 | 7,5 | 5,5 | M220 - 61 ... - 232V1 |
| Switching angle 90° | | | 25 | 11 | 7,5 | M225 - 61 ... - 232V1 |
| OFF position padlockable 09h | 1 ... 24 | T200 | 32 | 15 | 11 | T225 - 61 ... - 232V1 |
| Main/Emergency-Off Switches | 1 ... 24 | M200 | 20 | 7,5 | 5,5 | M220 - 61 ... - 232V4 |
| Switching angle 90° | | | 25 | 11 | 7,5 | M225 - 61 ... - 232V4 |
| OFF position padlockable 09h | 1 ... 24 | T200 | 32 | 15 | 11 | T225 - 61 ... - 232V4 |

SMD modules for basic switch

Mounting form module for 232V.

M200 / T200

BFB2 - 241

V-operator module 48 x 48 mm, mounting form 232V1
Escutcheon black, handle black

2AV1 - 09

Legend plate silver, operator module 232V1

FAS2 - 9078

V-operator module 48 x 48 mm, mounting form 232V4
Escutcheon black, handle red

2AV4 - 09

Legend plate yellow, operator module 232V4

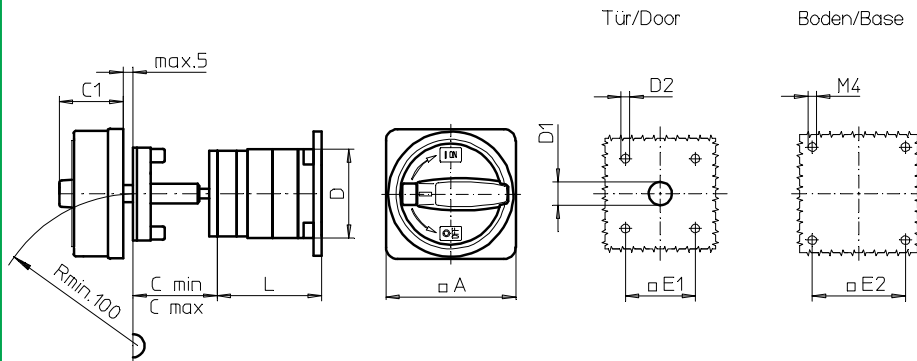
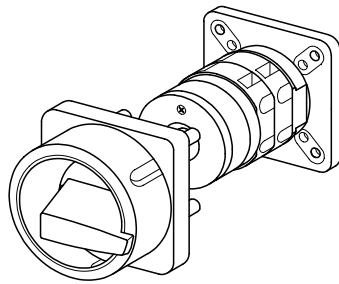
FBS2 - 9078

Dimensions (mm)

| Product lines | A | C _{min} | C _{max} | C1 | D | D1 | D2 | E | L with ... stages (max. 12) | | | | each add. stage |
|---------------|----|------------------|------------------|----|----|----|-----|----|-----------------------------|----|----|----|-----------------|
| | | | | | | | | | 1 | 2 | 3 | 4 | |
| M220 | 48 | 42 | 59 | 32 | 46 | 12 | 4,5 | 36 | 37 | 47 | 57 | 67 | 10 |
| M221 | 48 | 42 | 59 | 32 | 46 | 12 | 4,5 | 36 | 40 | 53 | 66 | 79 | 13 |
| M225 | 48 | 42 | 59 | 32 | 48 | 12 | 4,5 | 36 | 40 | 53 | 66 | 79 | 13 |
| T225 | 48 | 42 | 59 | 32 | 50 | 12 | 4,5 | 36 | 42 | 57 | 72 | 87 | 15 |

Base Mounting Switches

sälzer



Product lines
M200 / T200

Base mounting switch

Door clutch

Modular shaft extension

Four hole mounting

36 x 36 mm front

48 x 48 mm base

032M1 (IP66)

032M4 (IP66)

| Complete switch | Poles | Product line | Rated data (IEC 60947) | | | Order code number |
|------------------------------|----------|--------------|------------------------------------|--------------------------------|------------|------------------------------|
| | | | Operational current I _e | Operational power at 380–440 V | | |
| | | | AC-21A A | AC-23A kW | AC-3 kW | |
| Main Switches | 1 ... 24 | M200 | 20 | 7,5 | 5,5 | M220 - 61 ... - 032M1 |
| Switching angle 90° | | | 25 | 11 | 7,5 | M225 - 61 ... - 032M1 |
| OFF position padlockable 09h | 1 ... 24 | T200 | 32 | 15 | 11 | T225 - 61 ... - 032M1 |
| Main/Emergency-Off Switches | 1 ... 24 | M200 | 20 | 7,5 | 5,5 | M220 - 61 ... - 032M4 |
| Switching angle 90° | | | 25 | 11 | 7,5 | M225 - 61 ... - 032M4 |
| OFF position padlockable 09h | 1 ... 24 | T200 | 32 | 15 | 11 | T225 - 61 ... - 032M4 |

SMD modules for basic switch

Mounting form module for 032M.

M200 / T200

BFC2 - 032

M-padlock device 67 x 67 mm, mounting form 032M1
Escutcheon black, padlockable handle black

2CM1

M-padlock device 67 x 67 mm, mounting form 032M4
Escutcheon yellow, padlockable handle red

2CM4

Dimensions (mm)

| Product lines | A | C _{min} | C _{max} | C1 | D | D1 | D2 | E1 | E2 | L with ... stages (max. 12) | | | each add. stage |
|---------------|----|------------------|------------------|----|----|----|-----|----|----|-----------------------------|----|----|-----------------|
| | | | | | | | | | | 1 | 2 | 3 | |
| M220 | 67 | 42 | 59 | 38 | 46 | 15 | 4,5 | 36 | 48 | 38 | 48 | 58 | 10 |
| M221 | 67 | 42 | 59 | 38 | 46 | 15 | 4,5 | 36 | 48 | 41 | 54 | 67 | 13 |
| M225 | 67 | 42 | 59 | 38 | 48 | 15 | 4,5 | 36 | 48 | 41 | 54 | 67 | 13 |
| T225 | 67 | 42 | 59 | 38 | 50 | 15 | 4,5 | 36 | 48 | 43 | 58 | 73 | 15 |

Base Mounting Switches

sälzer

Product lines
M200 / T200

Base mounting switch

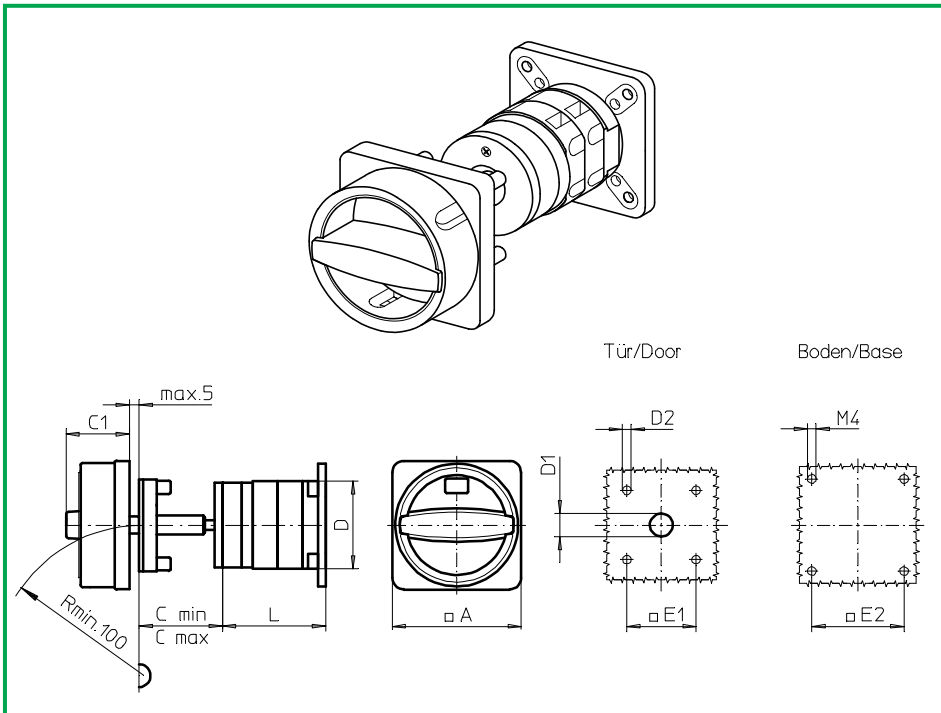
Door clutch
Modular shaft extension

Four hole mounting

36 x 36 mm front
48 x 48 mm base

032N1 (IP66)

032N4 (IP66)



| Complete switch | Poles | Product line | Rated data (IEC 60947) | | | Order code number |
|------------------------------|----------|--------------|------------------------------------|--------------------------------|------------|------------------------------|
| | | | Operational current I _e | Operational power at 380–440 V | | |
| | | | AC-21A A | AC-23A kW | AC-3 kW | |
| Main Switches | 1 ... 24 | M200 | 20 | 7,5 | 5,5 | M220 - 61 ... - 032N1 |
| Switching angle 90° | | | 25 | 11 | 7,5 | M225 - 61 ... - 032N1 |
| OFF position padlockable 09h | 1 ... 24 | T200 | 32 | 15 | 11 | T225 - 61 ... - 032N1 |
| Main/Emergency-Off Switches | 1 ... 24 | M200 | 20 | 7,5 | 5,5 | M220 - 61 ... - 032N4 |
| Switching angle 90° | | | 25 | 11 | 7,5 | M225 - 61 ... - 032N4 |
| OFF position padlockable 09h | 1 ... 24 | T200 | 32 | 15 | 11 | T225 - 61 ... - 032N4 |

SMD modules for basic switch

Mounting form module for 032N.

M200 / T200

BFC2 - 032

N-padlock device 67 x 67 mm, mounting form 032N1
Escutcheon black, padlockable handle black

2CN1

N-padlock device 67 x 67 mm, mounting form 032N4
Escutcheon yellow, padlockable handle red

2CN4

Dimensions (mm)

| Product lines | A | C _{min} | C _{max} | C1 | D | D1 | D2 | E1 | E2 | L with ... stages (max. 12) each add. | | | stage |
|---------------|----|------------------|------------------|----|----|----|-----|----|----|---------------------------------------|----|----|-------|
| | | | | | | | | | | 1 | 2 | 3 | |
| M220 | 67 | 42 | 59 | 33 | 46 | 15 | 4,5 | 36 | 48 | 38 | 48 | 58 | 10 |
| M221 | 67 | 42 | 59 | 33 | 46 | 15 | 4,5 | 36 | 48 | 41 | 54 | 67 | 13 |
| M225 | 67 | 42 | 59 | 33 | 48 | 15 | 4,5 | 36 | 48 | 41 | 54 | 67 | 13 |
| T225 | 67 | 42 | 59 | 33 | 50 | 15 | 4,5 | 36 | 48 | 43 | 58 | 73 | 15 |

Base Mounting Switches

sälzer

Product lines
M200 / T200

Base mounting switch

Door clutch

Modular shaft extension

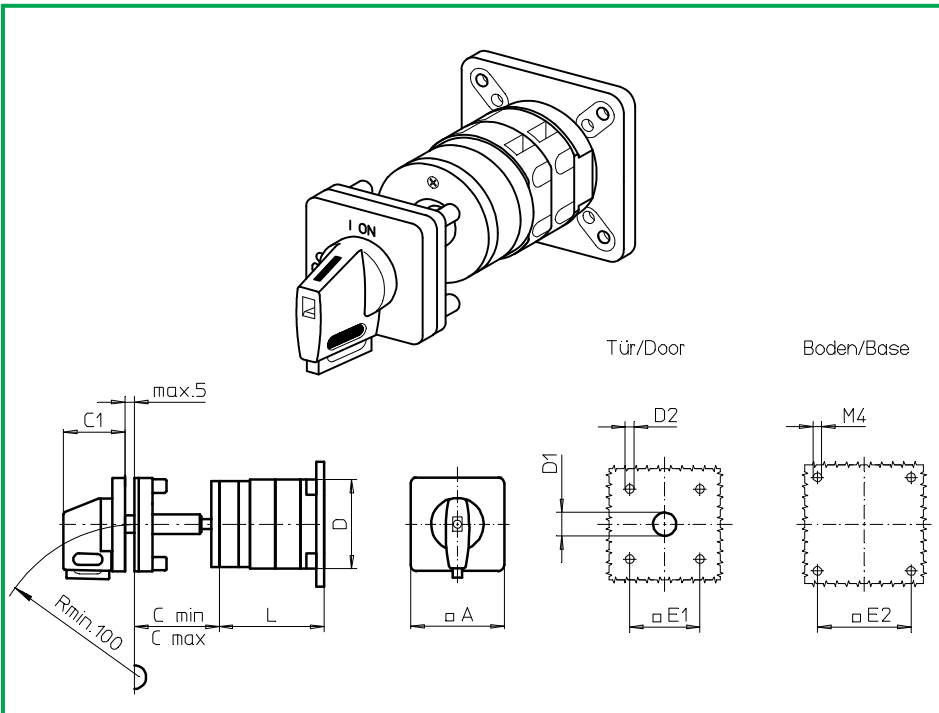
Four hole mounting

36 x 36 mm front

48 x 48 mm base

032V1 (IP66)

032V4 (IP66)



| Complete switch | Poles | Product line | Rated data (IEC 60947) | | | Order code number |
|------------------------------|----------|--------------|---------------------------|--------------------------------|------------|------------------------------|
| | | | Operational current I_e | Operational power at 380–440 V | | |
| | | | AC-21A A | AC-23A kW | AC-3 kW | |
| Main Switches | 1 ... 24 | M200 | 20 | 7,5 | 5,5 | M220 - 61 ... - 032V1 |
| Switching angle 90° | | | 25 | 11 | 7,5 | M225 - 61 ... - 032V1 |
| OFF position padlockable 09h | 1 ... 24 | T200 | 32 | 15 | 11 | T225 - 61 ... - 032V1 |
| Main/Emergency-Off Switches | 1 ... 24 | M200 | 20 | 7,5 | 5,5 | M220 - 61 ... - 032V4 |
| Switching angle 90° | | | 25 | 11 | 7,5 | M225 - 61 ... - 032V4 |
| OFF position padlockable 09h | 1 ... 24 | T200 | 32 | 15 | 11 | T225 - 61 ... - 032V4 |

SMD modules for basic switch

Mounting form module for 032V.

M200 / T200

BFB2 - 041

V-operator module 48 x 48 mm, mounting form 032V1
Escutcheon black, handle black

2AV1 - 09

Legend plate silver, operator module 032V1

FAS2 - 9078

V-operator module 48 x 48 mm, mounting form 032V4
Escutcheon black, handle red

2AV4 - 09

Legend plate yellow, operator module 032V4

FBS2 - 9078

Dimensions (mm)

| Product lines | A | Cmin | Cmax | C1 | D | D1 | D2 | E1 | E2 | L with ... stages (max. 12) | | | each add. stage |
|---------------|----|------|------|----|----|----|-----|----|----|-----------------------------|----|----|-----------------|
| | | | | | | | | | | 1 | 2 | 3 | |
| M220 | 48 | 42 | 59 | 32 | 46 | 12 | 4,5 | 36 | 48 | 38 | 48 | 58 | 10 |
| M221 | 48 | 42 | 59 | 32 | 46 | 12 | 4,5 | 36 | 48 | 41 | 54 | 67 | 13 |
| M225 | 48 | 42 | 59 | 32 | 48 | 12 | 4,5 | 36 | 48 | 41 | 54 | 67 | 13 |
| T225 | 48 | 42 | 59 | 32 | 50 | 12 | 4,5 | 36 | 48 | 43 | 58 | 73 | 15 |

Base Mounting Switches

sälzer

Product lines
M200 / T200

Base mounting switch

Door clutch

Modular shaft extension

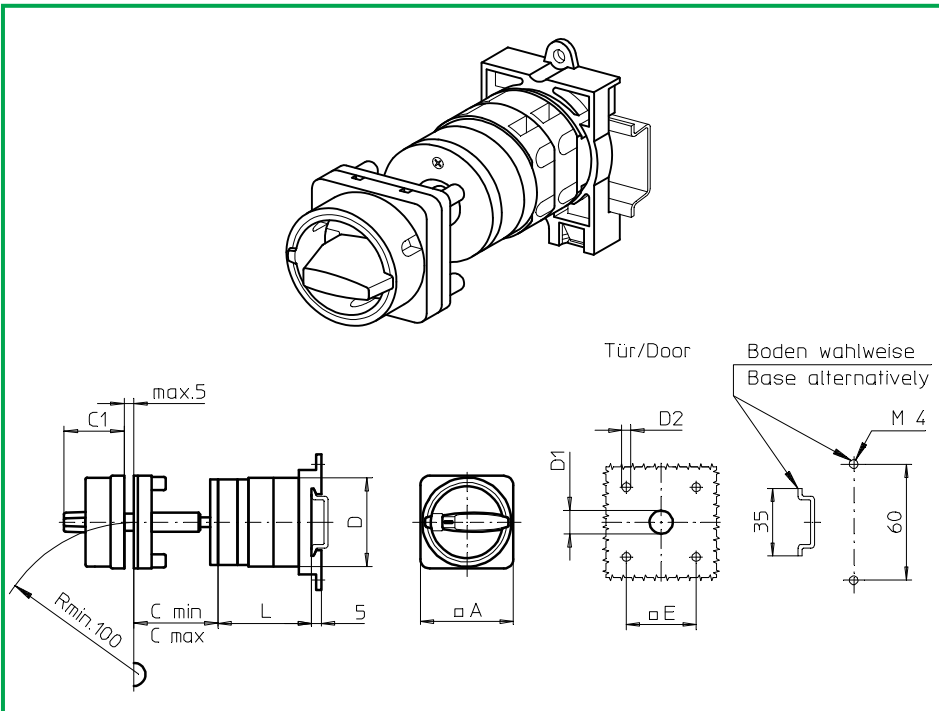
Four hole mounting

36 x 36 mm front

Snap on mounting base plate

231M1 (IP66)

231M4 (IP66)



| Complete switch | Poles | Product line | Rated data (IEC 60947) | | | Order code number |
|------------------------------|----------|--------------|------------------------------------|--------------------------------|------------|------------------------------|
| | | | Operational current I _e | Operational power at 380–440 V | | |
| | | | AC-21A A | AC-23A kW | AC-3 kW | |
| Main Switches | 1 ... 24 | M200 | 20 | 7,5 | 5,5 | M220 - 61 ... - 231M1 |
| Switching angle 90° | | | 25 | 11 | 7,5 | M225 - 61 ... - 231M1 |
| OFF position padlockable 09h | 1 ... 24 | T200 | 32 | 15 | 11 | T225 - 61 ... - 231M1 |
| Main/Emergency-Off Switches | 1 ... 24 | M200 | 20 | 7,5 | 5,5 | M220 - 61 ... - 231M4 |
| Switching angle 90° | | | 25 | 11 | 7,5 | M225 - 61 ... - 231M4 |
| OFF position padlockable 09h | 1 ... 24 | T200 | 32 | 15 | 11 | T225 - 61 ... - 231M4 |

SMD modules for basic switch

Mounting form module for 231M.

M200 / T200

BFB2 - 241

M-padlock device 48 x 48 mm, mounting form 231M1
Escutcheon black, padlockable handle black

2BM1

M-padlock device 48 x 48 mm, mounting form 231M4
Escutcheon yellow, padlockable handle red

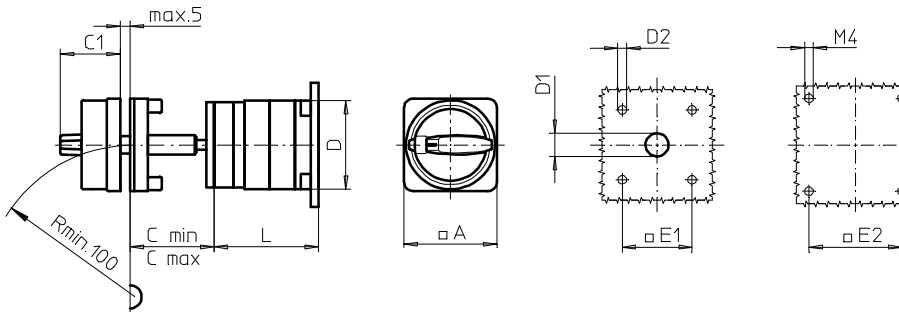
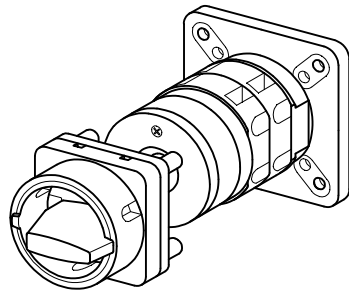
2BM4

Dimensions (mm)

| Product lines | A | C _{min} | C _{max} | C1 | D | D1 | D2 | E | L with ... stages (max. 12) | | | | each add. stage |
|---------------|----|------------------|------------------|----|----|----|-----|----|-----------------------------|----|----|----|-----------------|
| | | | | | | | | | 1 | 2 | 3 | 4 | |
| M220 | 48 | 42 | 59 | 32 | 46 | 12 | 4,5 | 36 | 37 | 47 | 57 | 67 | 10 |
| M221 | 48 | 42 | 59 | 32 | 46 | 12 | 4,5 | 36 | 40 | 53 | 66 | 79 | 13 |
| M225 | 48 | 42 | 59 | 32 | 48 | 12 | 4,5 | 36 | 40 | 53 | 66 | 79 | 13 |
| T225 | 48 | 42 | 59 | 32 | 50 | 12 | 4,5 | 36 | 42 | 57 | 72 | 87 | 15 |

Base Mounting Switches

sälzer



Product lines
M200 / T200

Base mounting switch

Door clutch
Modular shaft extension

Four hole mounting
36 x 36 mm front
48 x 48 mm base

031M1 (IP66)
031M4 (IP66)

| Complete switch | Poles | Product line | Rated data (IEC 60947) | | | Order code number |
|------------------------------|----------|--------------|------------------------------------|--------------------------------|------------|------------------------------|
| | | | Operational current I _e | Operational power at 380–440 V | | |
| | | | AC-21A A | AC-23A kW | AC-3 kW | |
| Main Switches | 1 ... 24 | M200 | 20 | 7,5 | 5,5 | M220 - 61 ... - 031M1 |
| Switching angle 90° | | | 25 | 11 | 7,5 | M225 - 61 ... - 031M1 |
| OFF position padlockable 09h | 1 ... 24 | T200 | 32 | 15 | 11 | T225 - 61 ... - 031M1 |
| Main/Emergency-Off Switches | 1 ... 24 | M200 | 20 | 7,5 | 5,5 | M220 - 61 ... - 031M4 |
| Switching angle 90° | | | 25 | 11 | 7,5 | M225 - 61 ... - 031M4 |
| OFF position padlockable 09h | 1 ... 24 | T200 | 32 | 15 | 11 | T225 - 61 ... - 031M4 |

SMD modules for basic switch

Mounting form module for 031M.

M200 / T200

BFB2 - 041

M-padlock device 48 x 48 mm, mounting form 031M1
Escutcheon black, padlockable handle black

2BM1

M-padlock device 48 x 48 mm, mounting form 031M4
Escutcheon yellow, padlockable handle red

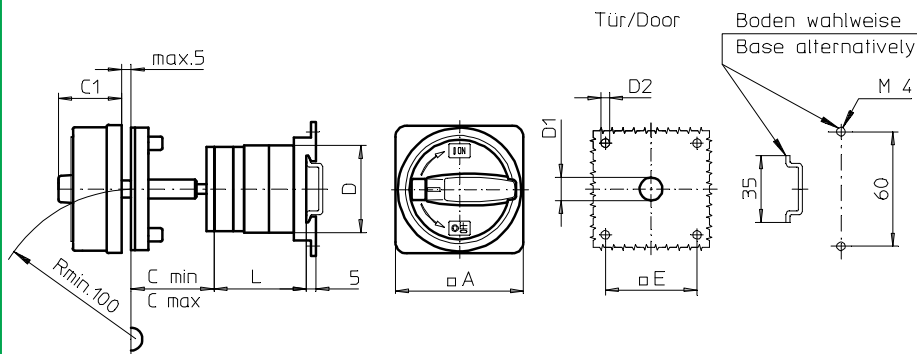
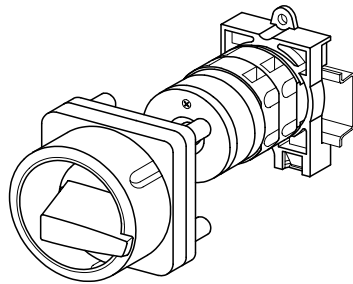
2BM4

Dimensions (mm)

| Product lines | A | C _{min} | C _{max} | C1 | D | D1 | D2 | E1 | E2 | L with ... stages (max. 12) | | | each add. stage |
|---------------|----|------------------|------------------|----|----|----|-----|----|----|-----------------------------|----|----|-----------------|
| | | | | | | | | | | 1 | 2 | 3 | |
| M220 | 48 | 42 | 59 | 32 | 46 | 12 | 4,5 | 36 | 48 | 38 | 48 | 58 | 10 |
| M221 | 48 | 42 | 59 | 32 | 46 | 12 | 4,5 | 36 | 48 | 41 | 54 | 67 | 13 |
| M225 | 48 | 42 | 59 | 32 | 48 | 12 | 4,5 | 36 | 48 | 41 | 54 | 67 | 13 |
| T225 | 48 | 42 | 59 | 32 | 50 | 12 | 4,5 | 36 | 48 | 43 | 58 | 73 | 15 |

Base Mounting Switches

sälzer



Product lines
M200 / T200

Base mounting switch
Operator module of next size

Door clutch
Modular shaft extension

Four hole mounting
48 x 48 mm front
Snap on mounting base plate

237M1 (IP66)

237M4 (IP66)

| Complete switch | Poles | Product line | Rated data (IEC 60947) | | | Order code number |
|------------------------------|----------|--------------|------------------------------------|--------------------------------|------------|------------------------------|
| | | | Operational current I _e | Operational power at 380–440 V | | |
| | | | AC-21A A | AC-23A kW | AC-3 kW | |
| Main Switches | 1 ... 24 | M200 | 20 | 7,5 | 5,5 | M220 - 61 ... - 237M1 |
| Switching angle 90° | | | 25 | 11 | 7,5 | M225 - 61 ... - 237M1 |
| OFF position padlockable 09h | 1 ... 24 | T200 | 32 | 15 | 11 | T225 - 61 ... - 237M1 |
| Main/Emergency-Off Switches | 1 ... 24 | M200 | 20 | 7,5 | 5,5 | M220 - 61 ... - 237M4 |
| Switching angle 90° | | | 25 | 11 | 7,5 | M225 - 61 ... - 237M4 |
| OFF position padlockable 09h | 1 ... 24 | T200 | 32 | 15 | 11 | T225 - 61 ... - 237M4 |

SMD modules for basic switch

Mounting form module for 237M.

M200 / T200

BFC2 - 237

M-padlock device 67 x 67 mm, mounting form 237M1
Escutcheon black, padlockable handle black

4BM1

M-padlock device 67 x 67 mm, mounting form 237M4
Escutcheon yellow, padlockable handle red

4BM4

Dimensions (mm)

| Product lines | A | C _{min} | C _{max} | C1 | D | D1 | D2 | E | L with ... stages (max. 12) | | | | each add. stage |
|---------------|----|------------------|------------------|----|----|----|----|----|-----------------------------|----|----|----|-----------------|
| | | | | | | | | | 1 | 2 | 3 | 4 | |
| M220 | 67 | 42 | 59 | 38 | 46 | 15 | 5 | 48 | 37 | 47 | 57 | 67 | 10 |
| M221 | 67 | 42 | 59 | 38 | 46 | 15 | 5 | 48 | 40 | 53 | 66 | 79 | 13 |
| M225 | 67 | 42 | 59 | 38 | 48 | 15 | 5 | 48 | 40 | 53 | 66 | 79 | 13 |
| T225 | 67 | 42 | 59 | 38 | 50 | 15 | 5 | 48 | 42 | 57 | 72 | 87 | 15 |

Base Mounting Switches

sälzer

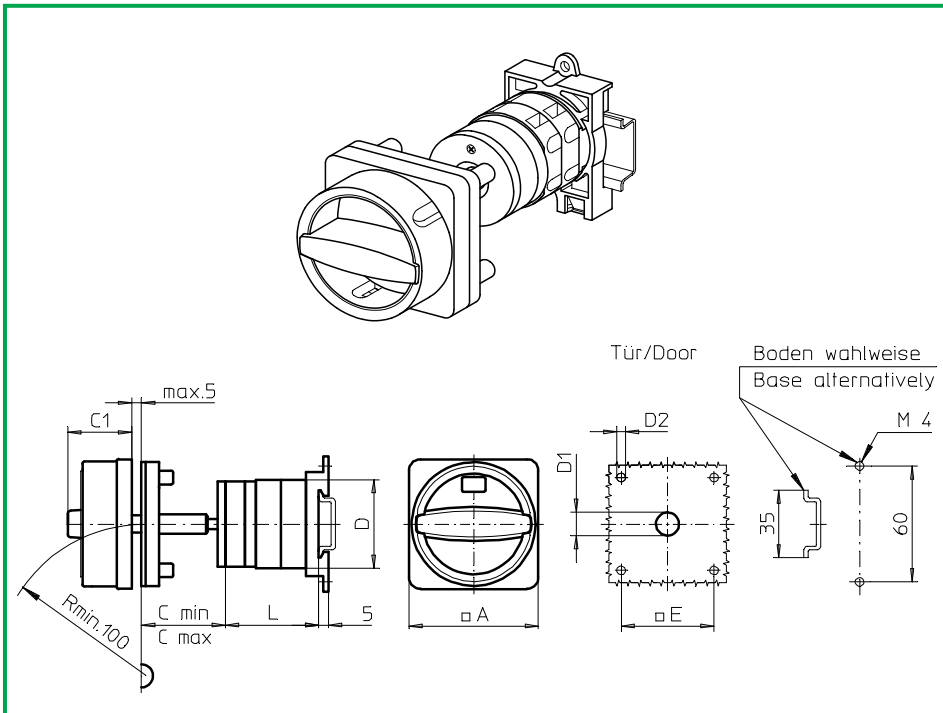
Product lines
M200 / T200

Base mounting switch
Operator module of next size

Door clutch
Modular shaft extension

Four hole mounting
48 x 48 mm front
Snap on mounting base plate

237N1 (IP66)
237N4 (IP66)



| Complete switch | Poles | Product line | Rated data (IEC 60947) | | | Order code number |
|------------------------------|----------|--------------|------------------------------------|--------------------------------|------------|------------------------------|
| | | | Operational current I _e | Operational power at 380–440 V | | |
| | | | AC-21A A | AC-23A kW | AC-3 kW | |
| Main Switches | 1 ... 24 | M200 | 20 | 7,5 | 5,5 | M220 - 61 ... - 237N1 |
| Switching angle 90° | | | 25 | 11 | 7,5 | M225 - 61 ... - 237N1 |
| OFF position padlockable 09h | 1 ... 24 | T200 | 32 | 15 | 11 | T225 - 61 ... - 237N1 |
| Main/Emergency-Off Switches | 1 ... 24 | M200 | 20 | 7,5 | 5,5 | M220 - 61 ... - 237N4 |
| Switching angle 90° | | | 25 | 11 | 7,5 | M225 - 61 ... - 237N4 |
| OFF position padlockable 09h | 1 ... 24 | T200 | 32 | 15 | 11 | T225 - 61 ... - 237N4 |

SMD modules for basic switch

Mounting form module for 237N.

M200 / T200

BFC2 - 237

N-padlock device 67 x 67 mm, mounting form 237N1
Escutcheon black, padlockable handle black

4BN1

N-padlock device 67 x 67 mm, mounting form 237N4
Escutcheon yellow, padlockable handle red

4BN4

Dimensions (mm)

| Product lines | A | C _{min} | C _{max} | C1 | D | D1 | D2 | E | L with ... stages (max. 12) | | | | each add. stage |
|---------------|----|------------------|------------------|----|----|----|----|----|-----------------------------|----|----|----|-----------------|
| | | | | | | | | | 1 | 2 | 3 | 4 | |
| M220 | 67 | 42 | 59 | 33 | 46 | 15 | 5 | 48 | 37 | 47 | 57 | 67 | 10 |
| M221 | 67 | 42 | 59 | 33 | 46 | 15 | 5 | 48 | 40 | 53 | 66 | 79 | 13 |
| M225 | 67 | 42 | 59 | 33 | 48 | 15 | 5 | 48 | 40 | 53 | 66 | 79 | 13 |
| T225 | 67 | 42 | 59 | 33 | 50 | 15 | 5 | 48 | 42 | 57 | 72 | 87 | 15 |

Base Mounting Switches

sälzer

Product lines
M200 / T200

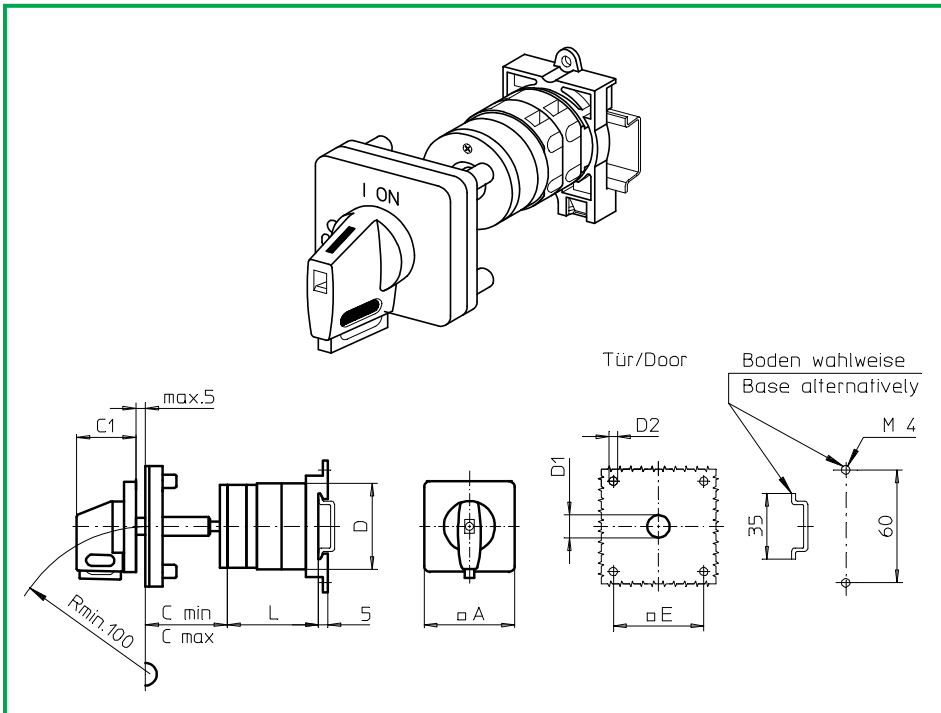
Base mounting switch
Operator module of next size

Door clutch
Modular shaft extension

Four hole mounting
48 x 48 mm front
Snap on mounting base plate

237V1 (IP66)

237V4 (IP66)



| Complete switch | Poles | Product line | Rated data (IEC 60947) | | | Order code number |
|------------------------------|----------|--------------|------------------------------------|--------------------------------|------------|------------------------------|
| | | | Operational current I _e | Operational power at 380–440 V | | |
| | | | AC-21A A | AC-23A kW | AC-3 kW | |
| Main Switches | 1 ... 24 | M200 | 20 | 7,5 | 5,5 | M220 - 61 ... - 237V1 |
| Switching angle 90° | | | 25 | 11 | 7,5 | M225 - 61 ... - 237V1 |
| OFF position padlockable 09h | 1 ... 24 | T200 | 32 | 15 | 11 | T225 - 61 ... - 237V1 |
| Main/Emergency-Off Switches | 1 ... 24 | M200 | 20 | 7,5 | 5,5 | M220 - 61 ... - 237V4 |
| Switching angle 90° | | | 25 | 11 | 7,5 | M225 - 61 ... - 237V4 |
| OFF position padlockable 09h | 1 ... 24 | T200 | 32 | 15 | 11 | T225 - 61 ... - 237V4 |

SMD modules for basic switch

Mounting form module for 237V.

M200 / T200

BFC2 - 247

V-operator module 64 x 64 mm, mounting form 237V1
Escutcheon black, handle black

4AV1 - 09

Legend plate silver, operator module 237V1

FAS4 - 9078

V-operator module 64 x 64 mm, mounting form 237V4
Escutcheon black, handle red

4AV4 - 09

Legend plate yellow, operator module 237V4

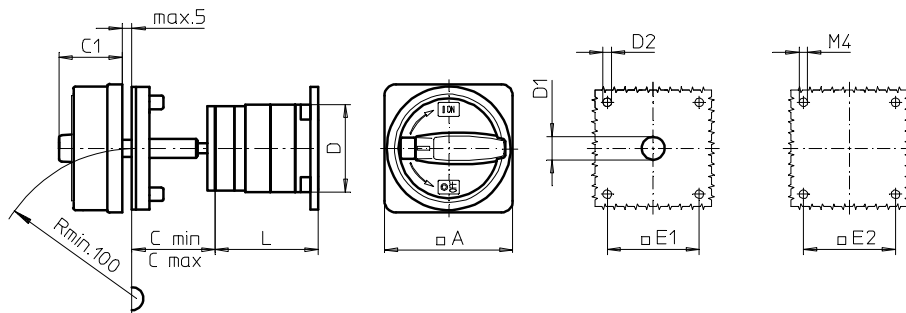
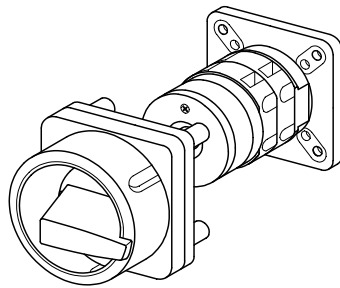
FBS4 - 9078

Dimensions (mm)

| Product lines | A | C _{min} | C _{max} | C1 | D | D1 | D2 | E | L with ... stages (max. 12) | | | | each add. stage |
|---------------|----|------------------|------------------|----|----|----|----|----|-----------------------------|----|----|----|-----------------|
| | | | | | | | | | 1 | 2 | 3 | 4 | |
| M220 | 64 | 42 | 59 | 39 | 46 | 15 | 5 | 48 | 37 | 47 | 57 | 67 | 10 |
| M221 | 64 | 42 | 59 | 39 | 46 | 15 | 5 | 48 | 40 | 53 | 66 | 79 | 13 |
| M225 | 64 | 42 | 59 | 39 | 48 | 15 | 5 | 48 | 40 | 53 | 66 | 79 | 13 |
| T225 | 64 | 42 | 59 | 39 | 50 | 15 | 5 | 48 | 42 | 57 | 72 | 87 | 15 |

Base Mounting Switches

sälzer



Product lines
M200 / T200

Base mounting switch
Operator module of next size

Door clutch
Modular shaft extension

Four hole mounting
48 x 48 mm front
48 x 48 mm base

037M1 (IP66)
037M4 (IP66)

| Complete switch | Poles | Product line | Rated data (IEC 60947) | | | Order code number |
|------------------------------|----------|--------------|------------------------------------|--------------------------------|------------|------------------------------|
| | | | Operational current I _e | Operational power at 380–440 V | | |
| | | | AC-21A A | AC-23A kW | AC-3 kW | |
| Main Switches | 1 ... 24 | M200 | 20 | 7,5 | 5,5 | M220 - 61 ... - 037M1 |
| Switching angle 90° | | | 25 | 11 | 7,5 | M225 - 61 ... - 037M1 |
| OFF position padlockable 09h | 1 ... 24 | T200 | 32 | 15 | 11 | T225 - 61 ... - 037M1 |
| Main/Emergency-Off Switches | 1 ... 24 | M200 | 20 | 7,5 | 5,5 | M220 - 61 ... - 037M4 |
| Switching angle 90° | | | 25 | 11 | 7,5 | M225 - 61 ... - 037M4 |
| OFF position padlockable 09h | 1 ... 24 | T200 | 32 | 15 | 11 | T225 - 61 ... - 037M4 |

SMD modules for basic switch

Mounting form module for 037M.

M200 / T200

BFC2 - 037

M-padlock device 67 x 67 mm, mounting form 037M1
Escutcheon black, padlockable handle black

4BM1

M-padlock device 67 x 67 mm, mounting form 037M4
Escutcheon yellow, padlockable handle red

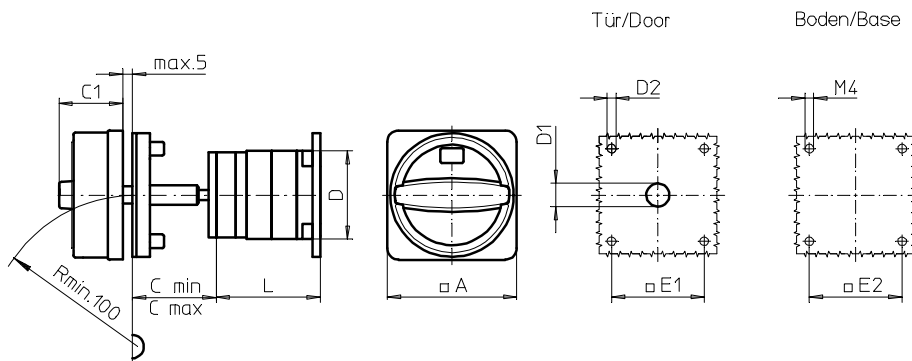
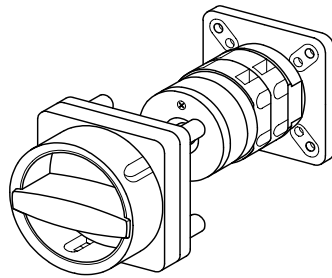
4BM4

Dimensions (mm)

| Product lines | A | C _{min} | C _{max} | C1 | D | D1 | D2 | E1 | E2 | L with ... stages (max. 12) each add. | | | stage |
|---------------|----|------------------|------------------|----|----|----|----|----|----|---------------------------------------|----|----|-------|
| | | | | | | | | | | 1 | 2 | 3 | |
| M220 | 67 | 42 | 59 | 38 | 46 | 15 | 5 | 48 | 48 | 38 | 48 | 58 | 10 |
| M221 | 67 | 42 | 59 | 38 | 46 | 15 | 5 | 48 | 48 | 41 | 54 | 67 | 13 |
| M225 | 67 | 42 | 59 | 38 | 48 | 15 | 5 | 48 | 48 | 41 | 54 | 67 | 13 |
| T225 | 67 | 42 | 59 | 38 | 50 | 15 | 5 | 48 | 48 | 43 | 58 | 73 | 15 |

Base Mounting Switches

sälzer



Product lines
M200 / T200

Base mounting switch
Operator module of next size

Door clutch
Modular shaft extension

Four hole mounting
48 x 48 mm front
48 x 48 mm base

037N1 (IP66)
037N4 (IP66)

| Complete switch | Poles | Product line | Rated data (IEC 60947) | | | Order code number |
|------------------------------|----------|--------------|------------------------------------|--------------------------------|------------|------------------------------|
| | | | Operational current I _e | Operational power at 380–440 V | | |
| | | | AC-21A A | AC-23A kW | AC-3 kW | |
| Main Switches | 1 ... 24 | M200 | 20 | 7,5 | 5,5 | M220 - 61 ... - 037N1 |
| Switching angle 90° | | | 25 | 11 | 7,5 | M225 - 61 ... - 037N1 |
| OFF position padlockable 09h | 1 ... 24 | T200 | 32 | 15 | 11 | T225 - 61 ... - 037N1 |
| Main/Emergency-Off Switches | 1 ... 24 | M200 | 20 | 7,5 | 5,5 | M220 - 61 ... - 037N4 |
| Switching angle 90° | | | 25 | 11 | 7,5 | M225 - 61 ... - 037N4 |
| OFF position padlockable 09h | 1 ... 24 | T200 | 32 | 15 | 11 | T225 - 61 ... - 037N4 |

SMD modules for basic switch

Mounting form module for 037N.

M200 / T200

BFC2 -037

N-padlock device 67 x 67 mm, mounting form 037N1
Escutcheon black, padlockable handle black

4BN1

N-padlock device 67 x 67 mm, mounting form 037N4
Escutcheon yellow, padlockable handle red

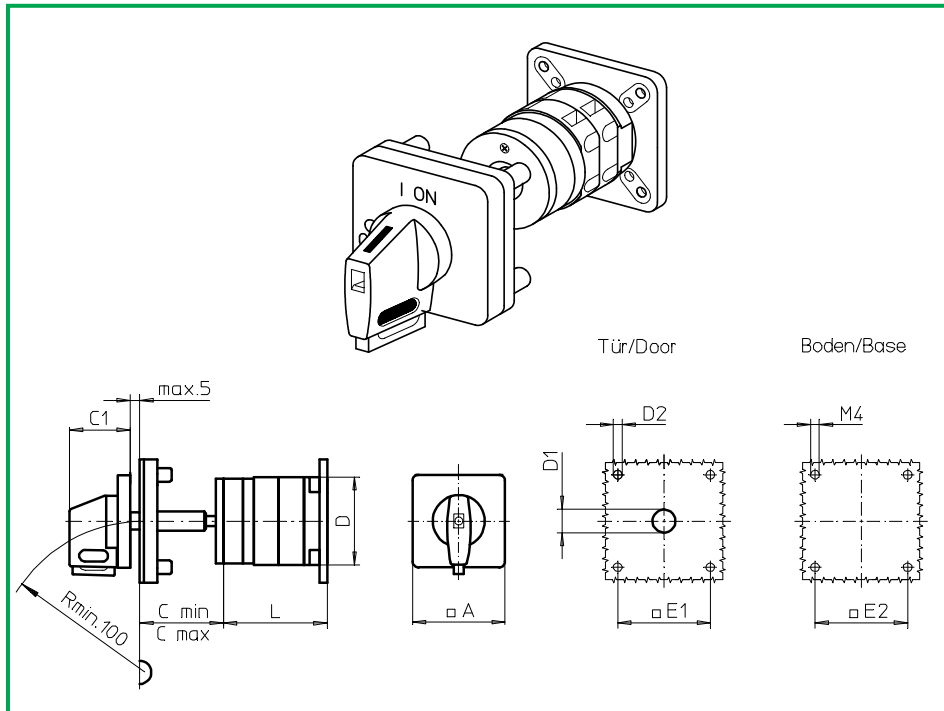
4BN4

Dimensions (mm)

| Product lines | A | C _{min} | C _{max} | C1 | D | D1 | D2 | E1 | E2 | L with ... stages (max. 12) | | | each add. stage |
|---------------|----|------------------|------------------|----|----|----|----|----|----|-----------------------------|----|----|-----------------|
| | | | | | | | | | | 1 | 2 | 3 | |
| M220 | 67 | 42 | 59 | 33 | 46 | 15 | 5 | 48 | 48 | 38 | 48 | 58 | 10 |
| M221 | 67 | 42 | 59 | 33 | 46 | 15 | 5 | 48 | 48 | 41 | 54 | 67 | 13 |
| M225 | 67 | 42 | 59 | 33 | 48 | 15 | 5 | 48 | 48 | 41 | 54 | 67 | 13 |
| T225 | 67 | 42 | 59 | 33 | 50 | 15 | 5 | 48 | 48 | 43 | 58 | 73 | 15 |

Base Mounting Switches

sälzer



Product lines
M200 / T200

Base mounting switch
Operator module of next size

Door clutch
Modular shaft extension

Four hole mounting
48 x 48 mm front
48 x 48 mm base

037V1 (IP66)
037V4 (IP66)

| Complete switch | Poles | Product line | Rated data (IEC 60947) | | | Order code number |
|------------------------------|----------|--------------|------------------------------------|--------------------------------|------------|------------------------------|
| | | | Operational current I _e | Operational power at 380–440 V | | |
| | | | AC-21A A | AC-23A kW | AC-3 kW | |
| Main Switches | 1 ... 24 | M200 | 20 | 7,5 | 5,5 | M220 - 61 ... - 037V1 |
| Switching angle 90° | | | 25 | 11 | 7,5 | M225 - 61 ... - 037V1 |
| OFF position padlockable 09h | 1 ... 24 | T200 | 32 | 15 | 11 | T225 - 61 ... - 037V1 |
| Main/Emergency-Off Switches | 1 ... 24 | M200 | 20 | 7,5 | 5,5 | M220 - 61 ... - 037V4 |
| Switching angle 90° | | | 25 | 11 | 7,5 | M225 - 61 ... - 037V4 |
| OFF position padlockable 09h | 1 ... 24 | T200 | 32 | 15 | 11 | T225 - 61 ... - 037V4 |

SMD modules for basic switch

Mounting form module for 037V.

M200 / T200

BFC2 - 047

V-operator module 64 x 64 mm, mounting form 037V1
Escutcheon black, handle black

4AV1 - 09

Legend plate silver, operator module 037V1

FAS4 - 9078

V-operator module 64 x 64 mm, mounting form 037V4
Escutcheon black, handle red

4AV4 - 09

Legend plate yellow, operator module 037V4

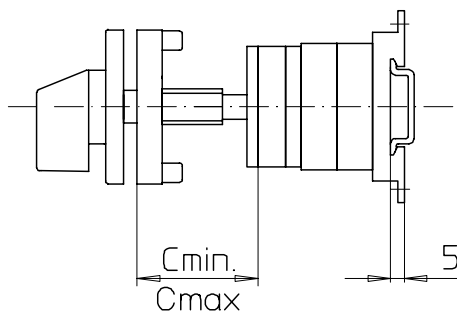
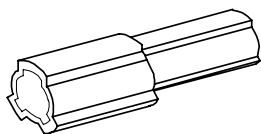
FBS4 - 9078

Dimensions (mm)

| Product lines | A | C _{min} | C _{max} | C1 | D | D1 | D2 | E1 | E2 | L with ... stages (max. 12) each add. | | | stage |
|---------------|----|------------------|------------------|----|----|----|----|----|----|---------------------------------------|----|----|-------|
| | | | | | | | | | | 1 | 2 | 3 | |
| M220 | 64 | 42 | 59 | 39 | 46 | 15 | 5 | 48 | 48 | 38 | 48 | 58 | 10 |
| M221 | 64 | 42 | 59 | 39 | 46 | 15 | 5 | 48 | 48 | 41 | 54 | 67 | 13 |
| M225 | 64 | 42 | 59 | 39 | 48 | 15 | 5 | 48 | 48 | 41 | 54 | 67 | 13 |
| T225 | 64 | 42 | 59 | 39 | 50 | 15 | 5 | 48 | 48 | 43 | 58 | 73 | 15 |

Modular shaft extension

sälzer



Product lines
M200 / T200

Base mounting switch

Door clutch
Modular shaft extension

Four hole mounting
Front

AVD2

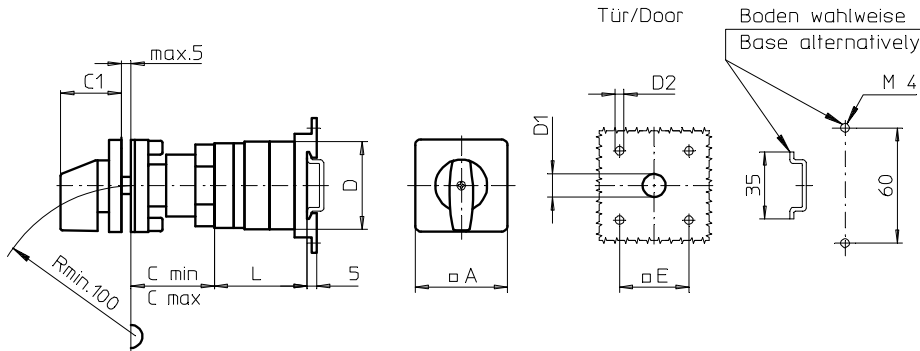
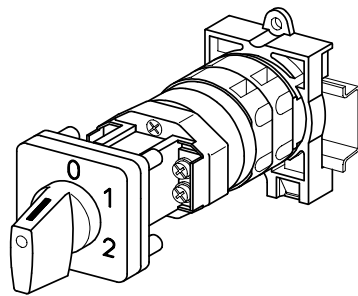
Modular shaft extensions for use with door clutch

Dimensions C_{min} , C_{max}

| No. | C_{min} | C_{max} | Quantity | Order code number |
|-----|-----------|-----------|----------|-------------------|
| 0 | 42 mm | 59 mm | - | - |
| 1 | 60 mm | 84 mm | 1 | AVD2 |
| 2 | 85 mm | 109 mm | 2 | AVD2 |
| 3 | 110 mm | 134 mm | 3 | AVD2 |
| 4 | 135 mm | 159 mm | 4 | AVD2 |
| 5 | 160 mm | 184 mm | 5 | AVD2 |
| 6 | 185 mm | 209 mm | 6 | AVD2 |

Base Mounting Switches

sälzer



Product lines
M200 / T200

Base mounting switch

Door interlock
Modular shaft extension
N/PE connection link

Four hole mounting
36 x 36 mm front
Snap on mounting base plate

242M1 (IP66)

| Complete switch | Poles | Product line | Rated data (IEC 60947) | | | Order code number | | | | | | | |
|---|----------|------------------------|------------------------------------|--------------------------------|------------|--|-----------|----------|------------------------------------|----------|----------|------------------------|----|
| | | | Operational current I _e | Operational power at 380–440 V | | | | | | | | | |
| | | | AC-21A A | AC-23A kW | AC-3 kW | | | | | | | | |
| Rotary Cam Switches Switching angle 30°/45°/60°/90° | 1 ... 24 | M200 | 20 | 7,5 | 5,5 | M220 - 61 ... - 242M1 | | | | | | | |
| | | | 25 | 11 | 7,5 | M225 - 61 ... - 242M1 | | | | | | | |
| | 1 ... 24 | T200 | 32 | 15 | 11 | T225 - 61 ... - 242M1 | | | | | | | |
| SMD modules for basic switch | | | | | | | | | | | | | |
| Mounting form module for 242M1 | | | M200 T200 | | | BFB2 - 242 BFE2 - 242 | | | | | | | |
| M-operator module 48 x 48 mm, mounting form 242M1 Escutcheon black, handle black | | | M200 / T200 | | | 2AM1 | | | | | | | |
| Legend plate silver, operator module 242M1 | | | | | | FAS2 - (FA number) | | | | | | | |
| Dimensions (mm) | | | | | | | | | | | | | |
| Product lines | A | C_{min} | C_{max} | C1 | D | D1 | D2 | E | L with ... stages (max. 12) | | | each add. stage | |
| | | | | | | | | | 1 | 2 | 3 | 4 | |
| M220 | 48 | 42 | 57 | 32 | 46 | 12 | 4,5 | 36 | 37 | 47 | 57 | 67 | 10 |
| M221 | 48 | 42 | 57 | 32 | 46 | 12 | 4,5 | 36 | 40 | 53 | 66 | 79 | 13 |
| M225 | 48 | 42 | 57 | 32 | 48 | 12 | 4,5 | 36 | 40 | 53 | 66 | 79 | 13 |
| T225 | 48 | 42 | 57 | 32 | 50 | 12 | 4,5 | 36 | 42 | 57 | 72 | 87 | 15 |

Base Mounting Switches

sälzer

Product lines
M200 / T200

Base mounting switch

Door interlock

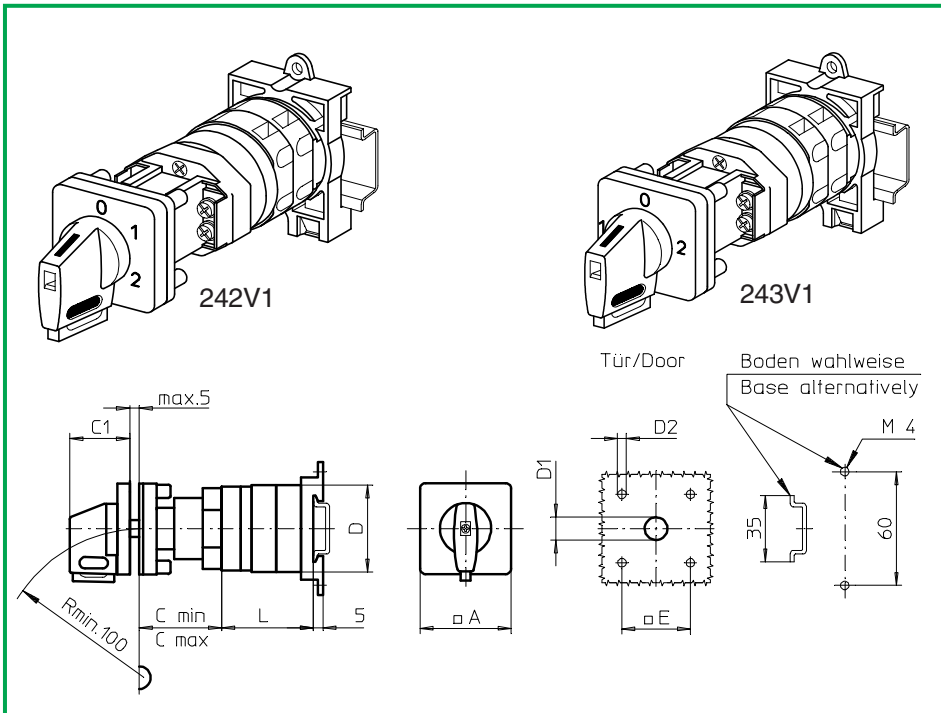
Modular shaft extension
N/PE connection link

Four hole mounting

36 x 36 mm front
Snap on mounting base plate

242V1 (IP66)

243V1 (IP66)



| Complete switch | Poles | Product line | Rated data (IEC 60947) | | | Order code number |
|--|----------|--------------|------------------------------------|--------------------------------|------------|------------------------------|
| | | | Operational current I _e | Operational power at 380–440 V | | |
| | | | AC-21A A | AC-23A kW | AC-3 kW | |
| Rotary Cam Switches Switching angle 30°/45°/60°/90° Padlockable 12h | 1 ... 24 | M200 | 20 | 7,5 | 5,5 | M220 - 61 ... - 242V1 |
| | | | 25 | 11 | 7,5 | M225 - 61 ... - 242V1 |
| | 1 ... 24 | T200 | 32 | 15 | 11 | T225 - 61 ... - 242V1 |
| Rotary Cam Switches Switching angle 90° 3 positions padlockable (09h/12h/03h) | 1 ... 24 | M200 | 20 | 7,5 | 5,5 | M220 - 61 ... - 243V1 |
| | | | 25 | 11 | 7,5 | M225 - 61 ... - 243V1 |
| | 1 ... 24 | T200 | 32 | 15 | 11 | T225 - 61 ... - 243V1 |

SMD modules for basic switch

Mounting form module for 242V1/ 243V1

M200
T200

BFD2 - 242
BFF2 - 242

V-operator module 48 x 48 mm, mounting form 242V1
Escutcheon black, handle black

M200 / T200

2AV1 - 12

V-operator module 48 x 48 mm, mounting form 243V1
Escutcheon black, handle black

2AV1 - 99

Legend plate silver, operator module 242V1/ 243V1

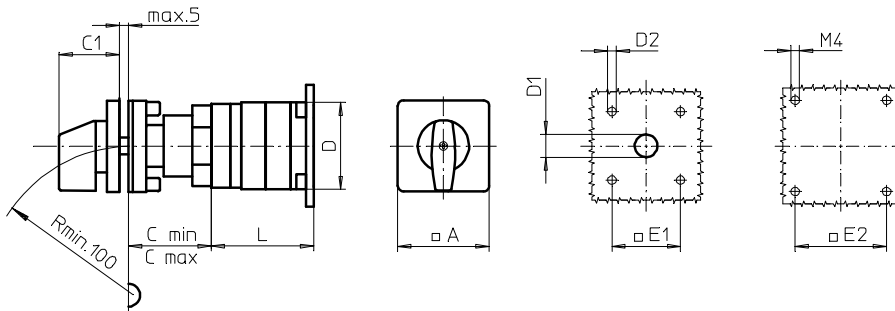
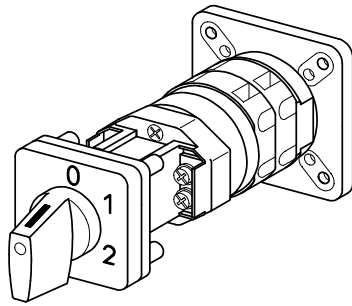
FAS2 - (FA number)

Dimensions (mm)

| Product lines | A | C _{min} | C _{max} | C1 | D | D1 | D2 | E | L with ... stages (max. 12) | | | | each add. stage |
|---------------|----|------------------|------------------|----|----|----|-----|----|-----------------------------|----|----|----|-----------------|
| | | | | | | | | | 1 | 2 | 3 | 4 | |
| M220 | 48 | 42 | 57 | 32 | 46 | 12 | 4,5 | 36 | 37 | 47 | 57 | 67 | 10 |
| M221 | 48 | 42 | 57 | 32 | 46 | 12 | 4,5 | 36 | 40 | 53 | 66 | 79 | 13 |
| M225 | 48 | 42 | 57 | 32 | 48 | 12 | 4,5 | 36 | 40 | 53 | 66 | 79 | 13 |
| T225 | 48 | 42 | 57 | 32 | 50 | 12 | 4,5 | 36 | 42 | 57 | 72 | 87 | 15 |

Base Mounting Switches

sälzer



Product lines
M200 / T200

Base mounting switch

Door interlock
Modular shaft extension
N/PE connection link

Four hole mounting
36 x 36 mm front
48 x 48 mm base

042M1 (IP66)

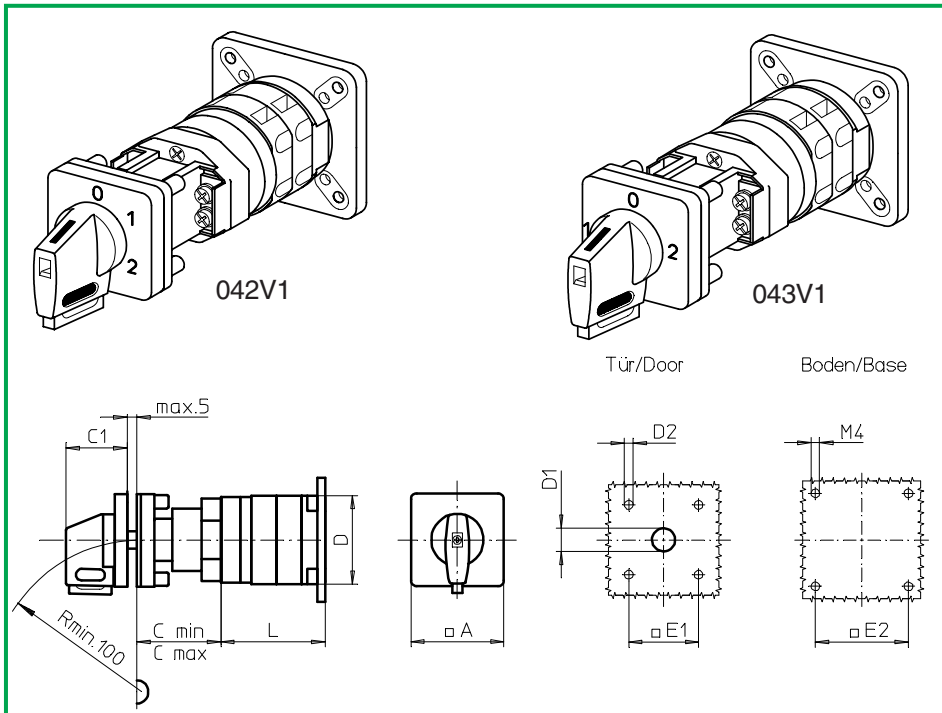
| Complete switch | Poles | Product line | Rated data (IEC 60947) | | | Order code number |
|--|----------|--------------|------------------------------------|--------------------------------|------------|------------------------------|
| | | | Operational current I _e | Operational power at 380–440 V | | |
| | | | AC-21A A | AC-23A kW | AC-3 kW | |
| Rotary Cam Switches Switching angle 30°/45°/60°/90° | 1 ... 24 | M200 | 20 | 7,5 | 5,5 | M220 - 61 ... - 042M1 |
| | | | 25 | 11 | 7,5 | M225 - 61 ... - 042M1 |
| | 1 ... 24 | T200 | 32 | 15 | 11 | T225 - 61 ... - 042M1 |

| SMD modules for basic switch | | | |
|---|--|--------------|--|
| Mounting form module for 042M1 | | M200 T200 | BFB2 - 042 BFE2 - 042 |
| M-operator module 48 x 48 mm, mounting form 042M1 Escutcheon black, handle black | | M200 / T200 | 2AM1 |
| Legend plate silver, operator module 042M1 | | | FAS2 - (FA number) |

| Dimensions (mm) | | | | | | | | | | L with ... stages (max. 12) each add. | | | |
|-----------------|----|------------------|------------------|----|----|----|-----|----|----|---------------------------------------|----|----|-------|
| Product lines | A | C _{min} | C _{max} | C1 | D | D1 | D2 | E1 | E2 | 1 | 2 | 3 | stage |
| M220 | 48 | 42 | 57 | 32 | 46 | 12 | 4,5 | 36 | 48 | 38 | 48 | 58 | 10 |
| M221 | 48 | 42 | 57 | 32 | 46 | 12 | 4,5 | 36 | 48 | 41 | 54 | 67 | 13 |
| M225 | 48 | 42 | 57 | 32 | 48 | 12 | 4,5 | 36 | 48 | 41 | 54 | 67 | 13 |
| T225 | 48 | 42 | 57 | 32 | 50 | 12 | 4,5 | 36 | 48 | 43 | 58 | 73 | 15 |

Base Mounting Switches

sälzer



Product lines
M200 / T200

Base mounting switch

Door interlock
Modular shaft extension
N/PE connection link

Four hole mounting
36 x 36 mm front
48 x 48 mm base

042V1 (IP66)

043V1 (IP66)

| Complete switch | Poles | Product line | Rated data (IEC 60947) | | | Order code number |
|--|----------|--------------|------------------------------------|--------------------------------|------------|------------------------------|
| | | | Operational current I _e | Operational power at 380–440 V | | |
| | | | AC-21A A | AC-23A kW | AC-3 kW | |
| Rotary Cam Switches Switching angle 30°/45°/60°/90° Padlockable 12h | 1 ... 24 | M200 | 20 | 7,5 | 5,5 | M220 - 61 ... - 042V1 |
| | 1 ... 24 | T200 | 25 | 11 | 7,5 | M225 - 61 ... - 042V1 |
| Rotary Cam Switches Switching angle 90° 3 positions padlockable (09h/12h/03h) | 1 ... 24 | M200 | 32 | 15 | 11 | T225 - 61 ... - 042V1 |
| | 1 ... 24 | T200 | 20 | 7,5 | 5,5 | M220 - 61 ... - 043V1 |
| | 1 ... 24 | M200 | 25 | 11 | 7,5 | M225 - 61 ... - 043V1 |
| | 1 ... 24 | T200 | 32 | 15 | 11 | T225 - 61 ... - 043V1 |

SMD modules for basic switch

Mounting form module for 042V1/ 043V1

M200
T200

BFD2 - 042
BFF2 - 042

V-operator module 48 x 48 mm, mounting form 042V1
Escutcheon black, handle black

M200 / T200

2AV1 - 12

V-operator module 48 x 48 mm, mounting form 043V1
Escutcheon black, handle black

2AV1 - 99

Legend plate silver, operator module 042V1/ 043V1

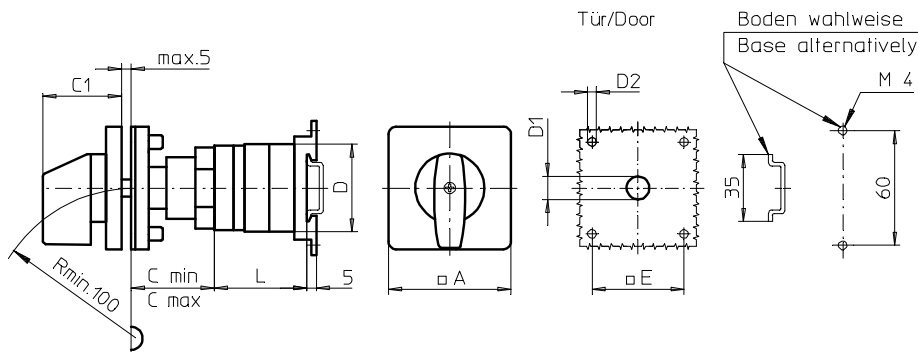
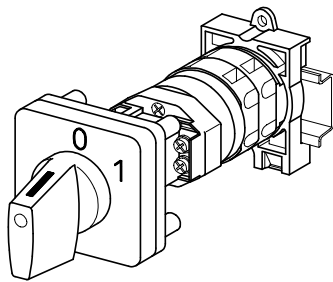
FAS2 - (FA number)

Dimensions (mm)

| Product lines | A | C _{min} | C _{max} | C1 | D | D1 | D2 | E1 | E2 | L with ... stages (max. 12) | | | each add. stage |
|---------------|----|------------------|------------------|----|----|----|-----|----|----|-----------------------------|----|----|-----------------|
| | | | | | | | | | | 1 | 2 | 3 | |
| M220 | 48 | 42 | 57 | 32 | 46 | 12 | 4,5 | 36 | 48 | 38 | 48 | 58 | 10 |
| M221 | 48 | 42 | 57 | 32 | 46 | 12 | 4,5 | 36 | 48 | 41 | 54 | 67 | 13 |
| M225 | 48 | 42 | 57 | 32 | 48 | 12 | 4,5 | 36 | 48 | 41 | 54 | 67 | 13 |
| T225 | 48 | 42 | 57 | 32 | 50 | 12 | 4,5 | 36 | 48 | 43 | 58 | 73 | 15 |

Base Mounting Switches

sälzer



Product lines
M200 / T200

Base mounting switch
Operator module of next size

Door interlock
Modular shaft extension
N/PE connection link

Four hole mounting
48 x 48 mm front
Snap on mounting base plate

248M1 (IP66)

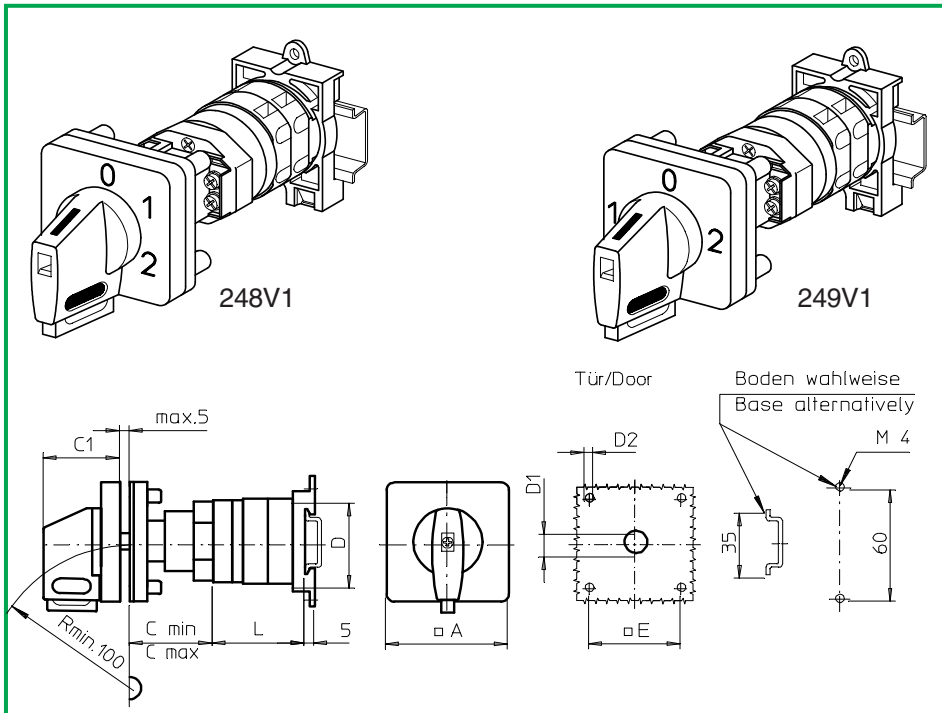
| Complete switch | Poles | Product line | Rated data (IEC 60947) | | | Order code number |
|--|----------|--------------|------------------------------------|--------------------------------|------------|------------------------------|
| | | | Operational current I _e | Operational power at 380–440 V | | |
| | | | AC-21A A | AC-23A kW | AC-3 kW | |
| Rotary Cam Switches Switching angle 30°/45°/60°/90° | 1 ... 24 | M200 | 20 | 7,5 | 5,5 | M220 - 61 ... - 248M1 |
| | | | 25 | 11 | 7,5 | M225 - 61 ... - 248M1 |
| | 1 ... 24 | T200 | 32 | 15 | 11 | T225 - 61 ... - 248M1 |

| SMD modules for basic switch | | | |
|---|--|--------------|--|
| Mounting form module for 248M1 | | M200 T200 | BFD2 - 248 BFF2 - 248 |
| M-operator module 64 x 64 mm, mounting form 248M1 Escutcheon black, handle black | | M200 / T200 | 4AM1 |
| Legend plate silver, operator module 248M1 | | | FAS4 - (FA number) |

| Dimensions (mm) | | | | | | | | | | | | | |
|-----------------|----|------------------|------------------|----|----|----|----|----|-----------------------------|----|----|----|-----------------|
| Product lines | A | C _{min} | C _{max} | C1 | D | D1 | D2 | E | L with ... stages (max. 12) | | | | each add. stage |
| | | | | | | | | | 1 | 2 | 3 | 4 | |
| M220 | 64 | 42 | 57 | 39 | 46 | 15 | 5 | 48 | 37 | 47 | 57 | 67 | 10 |
| M221 | 64 | 42 | 57 | 39 | 46 | 15 | 5 | 48 | 40 | 53 | 66 | 79 | 13 |
| M225 | 64 | 42 | 57 | 39 | 48 | 15 | 5 | 48 | 40 | 53 | 66 | 79 | 13 |
| T225 | 64 | 42 | 57 | 39 | 50 | 15 | 5 | 48 | 42 | 57 | 72 | 87 | 15 |

Base Mounting Switches

sälzer



Product lines
M200 / T200

Base mounting switch
Operator module of next size

Door interlock
Modular shaft extension
N/PE connection link

Four hole mounting
48 x 48 mm front
Snap on mounting base plate

248V1 (IP66)

249V1 (IP66)

| Complete switch | Poles | Product line | Rated data (IEC 60947) | | | Order code number |
|--|----------|--------------|------------------------------------|--------------------------------|------------|------------------------------|
| | | | Operational current I _e | Operational power at 380–440 V | | |
| | | | AC-21A A | AC-23A kW | AC-3 kW | |
| Rotary Cam Switches Switching angle 30°/45°/60°/90° Padlockable 12h | 1 ... 24 | M200 | 20 | 7,5 | 5,5 | M220 - 61 ... - 248V1 |
| | 1 ... 24 | T200 | 25 | 11 | 7,5 | M225 - 61 ... - 248V1 |
| Rotary Cam Switches Switching angle 90° 3 positions padlockable (09h/12h/03h) | 1 ... 24 | M200 | 32 | 15 | 11 | T225 - 61 ... - 248V1 |
| | 1 ... 24 | T200 | 20 | 7,5 | 5,5 | M220 - 61 ... - 249V1 |
| | 1 ... 24 | M200 | 25 | 11 | 7,5 | M225 - 61 ... - 249V1 |
| | 1 ... 24 | T200 | 32 | 15 | 11 | T225 - 61 ... - 249V1 |

SMD modules for basic switch

Mounting form module for 248V1/ 249V1

M200
T200

BFE2 - 248
BFG2 - 248

V-operator module 64 x 64 mm, mounting form 248V1
Escutcheon black, handle black

M200 / T200

4AV1 - 12

V-operator module 64 x 64 mm, mounting form 249V1
Escutcheon black, handle black

4AV1 - 99

Legend plate silver, operator module 248V1/ 249V1

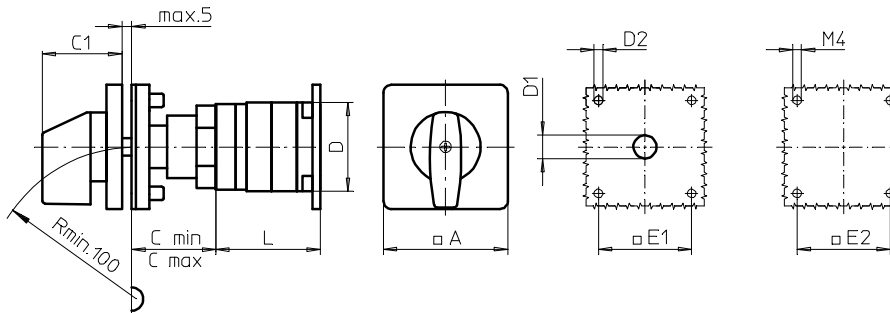
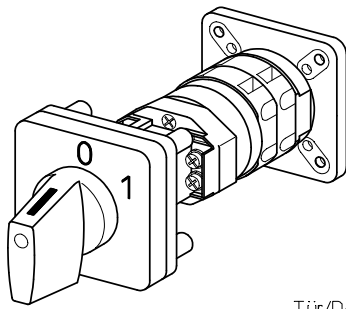
FAS4 - (FA number)

Dimensions (mm)

| Product lines | A | C _{min} | C _{max} | C1 | D | D1 | D2 | E | L with ... stages (max. 12) | | | | each add. stage |
|---------------|----|------------------|------------------|----|----|----|----|----|-----------------------------|----|----|----|-----------------|
| | | | | | | | | | 1 | 2 | 3 | 4 | |
| M220 | 64 | 42 | 57 | 39 | 46 | 15 | 5 | 48 | 37 | 47 | 57 | 67 | 10 |
| M221 | 64 | 42 | 57 | 39 | 46 | 15 | 5 | 48 | 40 | 53 | 66 | 79 | 13 |
| M225 | 64 | 42 | 57 | 39 | 48 | 15 | 5 | 48 | 40 | 53 | 66 | 79 | 13 |
| T225 | 64 | 42 | 57 | 39 | 50 | 15 | 5 | 48 | 42 | 57 | 72 | 87 | 15 |

Base Mounting Switches

sälzer



Product lines
M200 / T200

Base mounting switch
Operator module of next size

Door interlock
Modular shaft extension
N/PE connection link

Four hole mounting
48 x 48 mm front
48 x 48 mm base

048M1 (IP66)

| Complete switch | Poles | Product line | Rated data (IEC 60947) | | | Order code number |
|--|----------|--------------|------------------------------------|--------------------------------|------------|------------------------------|
| | | | Operational current I _e | Operational power at 380–440 V | | |
| | | | AC-21A A | AC-23A kW | AC-3 kW | |
| Rotary Cam Switches Switching angle 30°/45°/60°/90° | 1 ... 24 | M200 | 20 | 7,5 | 5,5 | M220 - 61 ... - 048M1 |
| | | | 25 | 11 | 7,5 | M225 - 61 ... - 048M1 |
| | 1 ... 24 | T200 | 32 | 15 | 11 | T225 - 61 ... - 048M1 |

SMD modules for basic switch

| | | |
|---|--------------|--|
| Mounting form module for 048M1 | M200 T200 | BFD2 - 048 BFF2 - 048 |
| M-operator module 64 x 64 mm, mounting form 048M1 Escutcheon black, handle black | M200 / T200 | 4AM1 |
| Legend plate silver, operator module 048M1 | | FAS4 - (FA number) |

Dimensions (mm)

| Product lines | A | C _{min} | C _{max} | C ₁ | D | D ₁ | D ₂ | E ₁ | E ₂ | L with ... stages (max. 12) each add. | | | stage |
|---------------|----|------------------|------------------|----------------|----|----------------|----------------|----------------|----------------|---------------------------------------|----|----|-------|
| | | | | | | | | | | 1 | 2 | 3 | |
| M220 | 64 | 42 | 57 | 39 | 46 | 15 | 5 | 48 | 48 | 38 | 48 | 58 | 10 |
| M221 | 64 | 42 | 57 | 39 | 46 | 15 | 5 | 48 | 48 | 41 | 54 | 67 | 13 |
| M225 | 64 | 42 | 57 | 39 | 48 | 15 | 5 | 48 | 48 | 41 | 54 | 67 | 13 |
| T225 | 64 | 42 | 57 | 39 | 50 | 15 | 5 | 48 | 48 | 43 | 58 | 73 | 15 |

Base Mounting Switches

sälzer

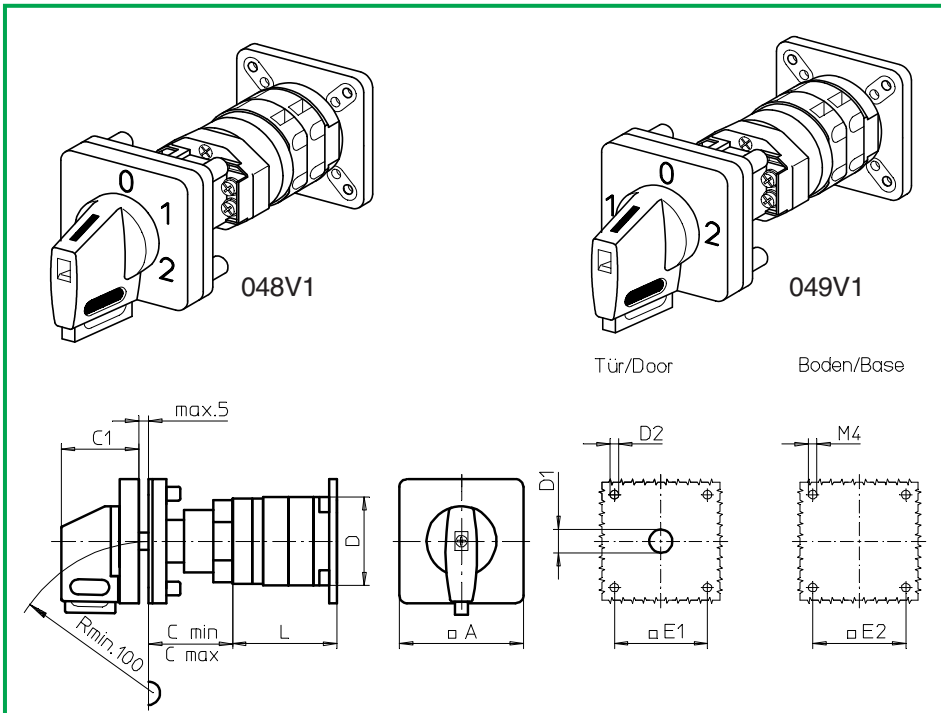
Product lines
M200 / T200

Base mounting switch
Operator module of next size

Door interlock
Modular shaft extension
N/PE connection link

Four hole mounting
48 x 48 mm front
48 x 48 mm base

048V1 (IP66)
049V1 (IP66)



| Complete switch | Poles | Product line | Rated data (IEC 60947) | | | Order code number |
|--|----------|--------------|------------------------------------|--------------------------------|------------|------------------------------|
| | | | Operational current I _e | Operational power at 380–440 V | | |
| | | | AC-21A A | AC-23A kW | AC-3 kW | |
| Rotary Cam Switches Switching angle 30°/45°/60°/90° Padlockable 12h | 1 ... 24 | M200 | 20 | 7,5 | 5,5 | M220 - 61 ... - 048V1 |
| | 1 ... 24 | T200 | 25 | 11 | 7,5 | M225 - 61 ... - 048V1 |
| Rotary Cam Switches Switching angle 90° 3 positions padlockable (09h/12h/03h) | 1 ... 24 | M200 | 32 | 15 | 11 | T225 - 61 ... - 048V1 |
| | 1 ... 24 | T200 | 20 | 7,5 | 5,5 | M220 - 61 ... - 049V1 |
| | 1 ... 24 | M200 | 25 | 11 | 7,5 | M225 - 61 ... - 049V1 |
| | 1 ... 24 | T200 | 32 | 15 | 11 | T225 - 61 ... - 049V1 |

SMD modules for basic switch

Mounting form module for 048V1/ 049V1

M200
T200

BFE2 - 048
BFG2 - 048

V-operator module 64 x 64 mm, mounting form 048V1
Escutcheon black, handle black

M200 / T200

4AV1 - 12

V-operator module 64 x 64 mm, mounting form 049V1
Escutcheon black, handle black

4AV1 - 99

Legend plate silver, operator module 048V1/ 049V1

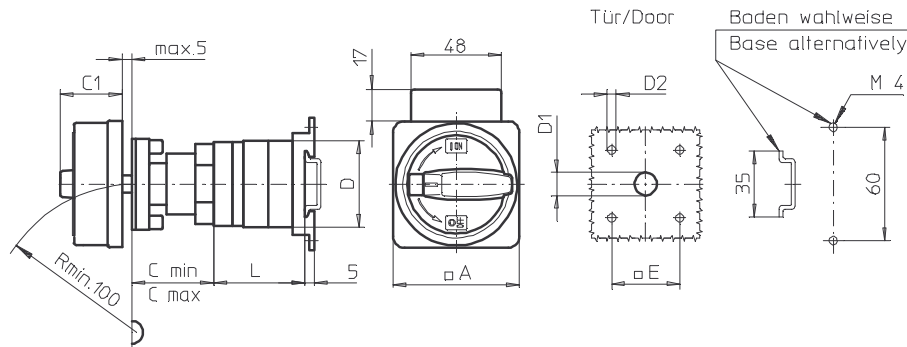
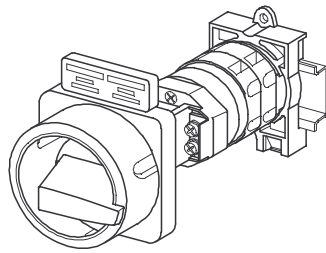
FAS4 - (FA number)

Dimensions (mm)

| Product lines | A | C _{min} | C _{max} | C1 | D | D1 | D2 | E1 | E2 | L with ... stages (max. 12) each add. | | | stage |
|---------------|----|------------------|------------------|----|----|----|----|----|----|---------------------------------------|----|----|-------|
| | | | | | | | | | | 1 | 2 | 3 | |
| M220 | 64 | 42 | 57 | 39 | 46 | 15 | 5 | 48 | 48 | 38 | 48 | 58 | 10 |
| M221 | 64 | 42 | 57 | 39 | 46 | 15 | 5 | 48 | 48 | 41 | 54 | 67 | 13 |
| M225 | 64 | 42 | 57 | 39 | 48 | 15 | 5 | 48 | 48 | 41 | 54 | 67 | 13 |
| T225 | 64 | 42 | 57 | 39 | 50 | 15 | 5 | 48 | 48 | 43 | 58 | 73 | 15 |

Base Mounting Switches

sälzer



Product lines
M200 / T200

Base mounting switch

Door interlock

Modular shaft extension
N/PE connection link

Four hole mounting

36 x 36 mm front
Snap on mounting base plate

234M1 (IP66)

234M4 (IP66)

| Complete switch | Poles | Product line | Rated data (IEC 60947) | | | Order code number |
|------------------------------|----------|--------------|------------------------------------|--------------------------------|------------|------------------------------|
| | | | Operational current I _e | Operational power at 380–440 V | | |
| | | | AC-21A A | AC-23A kW | AC-3 kW | |
| Main Switches | 1 ... 24 | M200 | 20 | 7,5 | 5,5 | M220 - 61 ... - 234M1 |
| Switching angle 90° | | | 25 | 11 | 7,5 | M225 - 61 ... - 234M1 |
| OFF position padlockable 09h | 1 ... 24 | T200 | 32 | 15 | 11 | T225 - 61 ... - 234M1 |
| Main/Emergency-Off Switches | 1 ... 24 | M200 | 20 | 7,5 | 5,5 | M220 - 61 ... - 234M4 |
| Switching angle 90° | | | 25 | 11 | 7,5 | M225 - 61 ... - 234M4 |
| OFF position padlockable 09h | 1 ... 24 | T200 | 32 | 15 | 11 | T225 - 61 ... - 234M4 |

SMD modules for basic switch

Mounting form module for 234M.

M200
T200

BFC2 - 234
BFD2 - 234

M-padlock device 67 x 67 mm, mounting form 234M1
Escutcheon black, padlockable handle black

M200 / T200

2CM1

M-padlock device 67 x 67 mm, mounting form 234M4
Escutcheon yellow, padlockable handle red

2CM4

Additional top escutcheon plate

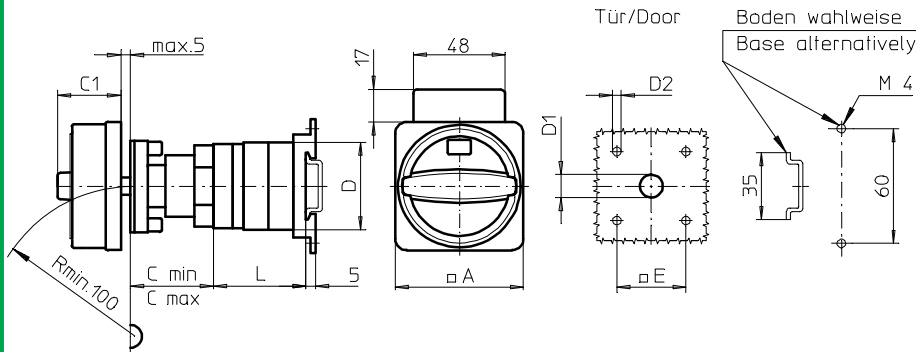
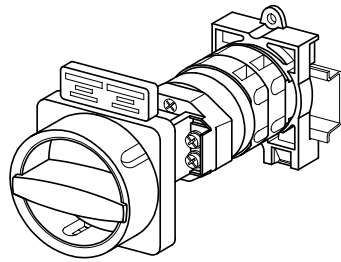
FAZZ - 8041

Dimensions (mm)

| Product lines | A | C _{min} | C _{max} | C1 | D | D1 | D2 | E | L with ... stages (max. 12) | | | | each add. stage |
|---------------|----|------------------|------------------|----|----|----|-----|----|-----------------------------|----|----|----|-----------------|
| | | | | | | | | | 1 | 2 | 3 | 4 | |
| M220 | 67 | 42 | 57 | 38 | 46 | 15 | 4,5 | 36 | 37 | 47 | 57 | 67 | 10 |
| M221 | 67 | 42 | 57 | 38 | 46 | 15 | 4,5 | 36 | 40 | 53 | 66 | 79 | 13 |
| M225 | 67 | 42 | 57 | 38 | 48 | 15 | 4,5 | 36 | 40 | 53 | 66 | 79 | 13 |
| T225 | 67 | 42 | 57 | 38 | 50 | 15 | 4,5 | 36 | 42 | 57 | 72 | 87 | 15 |

Base Mounting Switches

sälzer



Product lines
M200 / T200

Base mounting switch

Door interlock

Modular shaft extension
N/PE connection link

Four hole mounting

36 x 36 mm front
Snap on mounting base plate

234N1 (IP66)

234N4 (IP66)

| Complete switch | Poles | Product line | Rated data (IEC 60947) | | | Order code number |
|------------------------------|----------|--------------|------------------------------------|--------------------------------|------------|------------------------------|
| | | | Operational current I _e | Operational power at 380–440 V | | |
| | | | AC-21A A | AC-23A kW | AC-3 kW | |
| Main Switches | 1 ... 24 | M200 | 20 | 7,5 | 5,5 | M220 - 61 ... - 234N1 |
| Switching angle 90° | | | 25 | 11 | 7,5 | M225 - 61 ... - 234N1 |
| OFF position padlockable 09h | 1 ... 24 | T200 | 32 | 15 | 11 | T225 - 61 ... - 234N1 |
| Main/Emergency-Off Switches | 1 ... 24 | M200 | 20 | 7,5 | 5,5 | M220 - 61 ... - 234N4 |
| Switching angle 90° | | | 25 | 11 | 7,5 | M225 - 61 ... - 234N4 |
| OFF position padlockable 09h | 1 ... 24 | T200 | 32 | 15 | 11 | T225 - 61 ... - 234N4 |

SMD modules for basic switch

Mounting form module for 234N.

M200
T200

BFC2 - 234
BFD2 - 234

N-padlock device 67 x 67 mm, mounting form 234N1
Escutcheon black, padlockable handle black

M200 / T200

2CN1

N-padlock device 67 x 67 mm, mounting form 234N4
Escutcheon yellow, padlockable handle red

2CN4

Additional top escutcheon plate

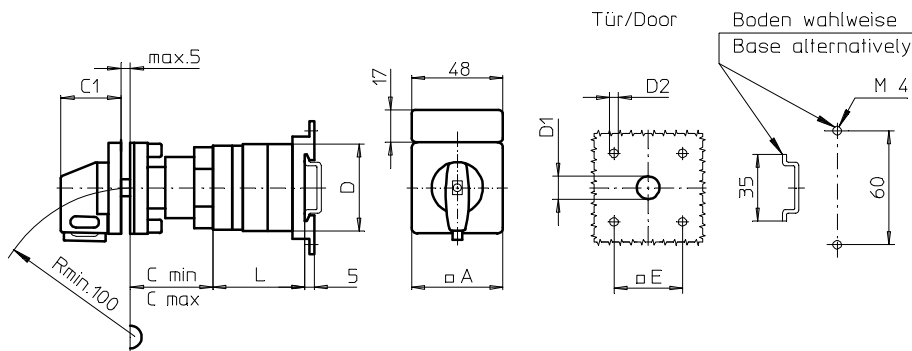
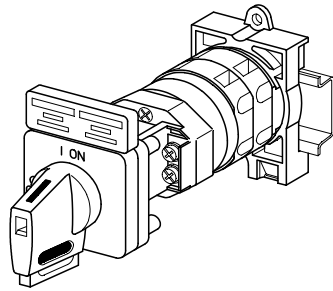
FAZZ - 8041

Dimensions (mm)

| Product lines | A | C _{min} | C _{max} | C1 | D | D1 | D2 | E | L with ... stages (max. 12) | | | | each add. stage |
|---------------|----|------------------|------------------|----|----|----|-----|----|-----------------------------|----|----|----|-----------------|
| | | | | | | | | | 1 | 2 | 3 | 4 | |
| M220 | 67 | 42 | 57 | 33 | 46 | 15 | 4,5 | 36 | 37 | 47 | 57 | 67 | 10 |
| M221 | 67 | 42 | 57 | 33 | 46 | 15 | 4,5 | 36 | 40 | 53 | 66 | 79 | 13 |
| M225 | 67 | 42 | 57 | 33 | 48 | 15 | 4,5 | 36 | 40 | 53 | 66 | 79 | 13 |
| T225 | 67 | 42 | 57 | 33 | 50 | 15 | 4,5 | 36 | 42 | 57 | 72 | 87 | 15 |

Base Mounting Switches

sälzer



Product lines
M200 / T200

Base mounting switch

Door interlock

Modular shaft extension
N/PE connection link

Four hole mounting

36 x 36 mm front
Snap on mounting base plate

234V1 (IP66)

234V4 (IP66)

| Complete switch | Poles | Product line | Rated data (IEC 60947) | | | Order code number |
|------------------------------|----------|--------------|------------------------------------|--------------------------------|------------|------------------------------|
| | | | Operational current I _e | Operational power at 380–440 V | | |
| | | | AC-21A A | AC-23A kW | AC-3 kW | |
| Main Switches | 1 ... 24 | M200 | 20 | 7,5 | 5,5 | M220 - 61 ... - 234V1 |
| Switching angle 90° | | | 25 | 11 | 7,5 | M225 - 61 ... - 234V1 |
| OFF position padlockable 09h | 1 ... 24 | T200 | 32 | 15 | 11 | T225 - 61 ... - 234V1 |
| Main/Emergency-Off Switches | 1 ... 24 | M200 | 20 | 7,5 | 5,5 | M220 - 61 ... - 234V4 |
| Switching angle 90° | | | 25 | 11 | 7,5 | M225 - 61 ... - 234V4 |
| OFF position padlockable 09h | 1 ... 24 | T200 | 32 | 15 | 11 | T225 - 61 ... - 234V4 |

SMD modules for basic switch

Mounting form module for 234V.

M200
T200

BFB2 - 242
BFE2 - 242

V-operator module 48 x 48 mm, mounting form 234V1
Escutcheon black, handle black
Legend plate silver, operator module 234V1

M200 / T200

2AV1 - 09

V-operator module 48 x 48 mm, mounting form 234V4
Escutcheon black, handle red
Legend plate yellow, operator module 234V4

FAS2 - 9078

2AV4 - 09

Additional top escutcheon plate

FBS2 - 9078

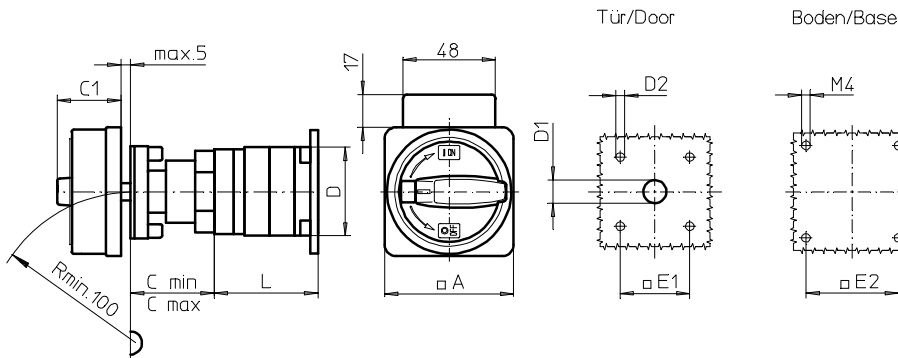
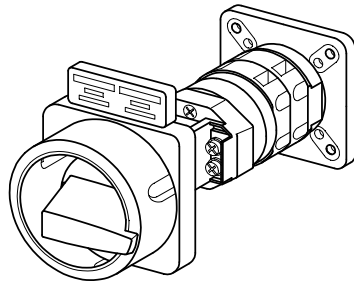
FAZ2 - 8041

Dimensions (mm)

| Product lines | A | C _{min} | C _{max} | C1 | D | D1 | D2 | E | L with ... stages (max. 12) | | | | each add. stage |
|---------------|----|------------------|------------------|----|----|----|-----|----|-----------------------------|----|----|----|-----------------|
| | | | | | | | | | 1 | 2 | 3 | 4 | |
| M220 | 48 | 42 | 57 | 32 | 46 | 12 | 4,5 | 36 | 37 | 47 | 57 | 67 | 10 |
| M221 | 48 | 42 | 57 | 32 | 46 | 12 | 4,5 | 36 | 40 | 53 | 66 | 79 | 13 |
| M225 | 48 | 42 | 57 | 32 | 48 | 12 | 4,5 | 36 | 40 | 53 | 66 | 79 | 13 |
| T225 | 48 | 42 | 57 | 32 | 50 | 12 | 4,5 | 36 | 42 | 57 | 72 | 87 | 15 |

Base Mounting Switches

sälzer



Product lines
M200 / T200

Base mounting switch

Door interlock
Modular shaft extension
N/PE connection link

Four hole mounting
36 x 36 mm front
48 x 48 mm base

034M1 (IP66)

034M4 (IP66)

| Complete switch | Poles | Product line | Rated data (IEC 60947) | | | Order code number |
|------------------------------|----------|--------------|------------------------------------|--------------------------------|------------|------------------------------|
| | | | Operational current I _e | Operational power at 380–440 V | | |
| | | | AC-21A A | AC-23A kW | AC-3 kW | |
| Main Switches | 1 ... 24 | M200 | 20 | 7,5 | 5,5 | M220 - 61 ... - 034M1 |
| Switching angle 90° | | | 25 | 11 | 7,5 | M225 - 61 ... - 034M1 |
| OFF position padlockable 09h | 1 ... 24 | T200 | 32 | 15 | 11 | T225 - 61 ... - 034M1 |
| Main/Emergency-Off Switches | 1 ... 24 | M200 | 20 | 7,5 | 5,5 | M220 - 61 ... - 034M4 |
| Switching angle 90° | | | 25 | 11 | 7,5 | M225 - 61 ... - 034M4 |
| OFF position padlockable 09h | 1 ... 24 | T200 | 32 | 15 | 11 | T225 - 61 ... - 034M4 |

SMD modules for basic switch

Mounting form module for 034M.

M200
T200

BFC2 - 034
BFD2 - 034

M-padlock device 67 x 67 mm, mounting form 034M1
Escutcheon black, padlockable handle black

M200 / T200

2CM1

M-padlock device 67 x 67 mm, mounting form 034M4
Escutcheon yellow, padlockable handle red

2CM4

Additional top escutcheon plate

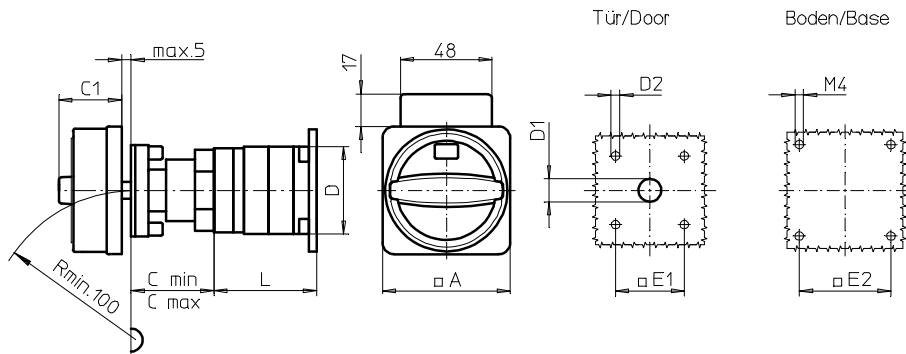
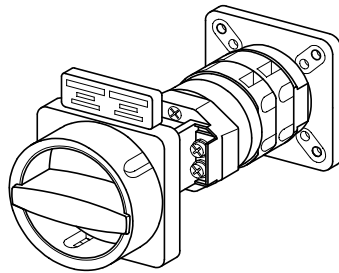
FAZZ - 8041

Dimensions (mm)

| Product lines | A | C _{min} | C _{max} | C1 | D | D1 | D2 | E1 | E2 | L with ... stages (max. 12) | | | each add. stage |
|---------------|----|------------------|------------------|----|----|----|-----|----|----|-----------------------------|----|----|-----------------|
| | | | | | | | | | | 1 | 2 | 3 | |
| M220 | 67 | 42 | 57 | 38 | 46 | 15 | 4,5 | 36 | 48 | 38 | 48 | 58 | 10 |
| M221 | 67 | 42 | 57 | 38 | 46 | 15 | 4,5 | 36 | 48 | 41 | 54 | 67 | 13 |
| M225 | 67 | 42 | 57 | 38 | 48 | 15 | 4,5 | 36 | 48 | 41 | 54 | 67 | 13 |
| T225 | 67 | 42 | 57 | 38 | 50 | 15 | 4,5 | 36 | 48 | 43 | 58 | 73 | 15 |

Base Mounting Switches

sälzer



Product lines
M200 / T200

Base mounting switch

Door interlock

Modular shaft extension
N/PE connection link

Four hole mounting

36 x 36 mm front
48 x 48 mm base

034N1 (IP66)

034N4 (IP66)

| Complete switch | Poles | Product line | Rated data (IEC 60947) | | | Order code number |
|------------------------------|----------|--------------|------------------------------------|--------------------------------|------------|------------------------------|
| | | | Operational current I _e | Operational power at 380–440 V | | |
| | | | AC-21A A | AC-23A kW | AC-3 kW | |
| Main Switches | 1 ... 24 | M200 | 20 | 7,5 | 5,5 | M220 - 61 ... - 034N1 |
| Switching angle 90° | | | 25 | 11 | 7,5 | M225 - 61 ... - 034N1 |
| OFF position padlockable 09h | 1 ... 24 | T200 | 32 | 15 | 11 | T225 - 61 ... - 034N1 |
| Main/Emergency-Off Switches | 1 ... 24 | M200 | 20 | 7,5 | 5,5 | M220 - 61 ... - 034N4 |
| Switching angle 90° | | | 25 | 11 | 7,5 | M225 - 61 ... - 034N4 |
| OFF position padlockable 09h | 1 ... 24 | T200 | 32 | 15 | 11 | T225 - 61 ... - 034N4 |

SMD modules for basic switch

Mounting form module for 034N.

M200
T200

BFC2 - 034
BFD2 - 034

N-padlock device 67 x 67 mm, mounting form 034N1
Escutcheon black, padlockable handle black

M200 / T200

2CN1

N-padlock device 67 x 67 mm, mounting form 034N4
Escutcheon yellow, padlockable handle red

2CN4

Additional top escutcheon plate

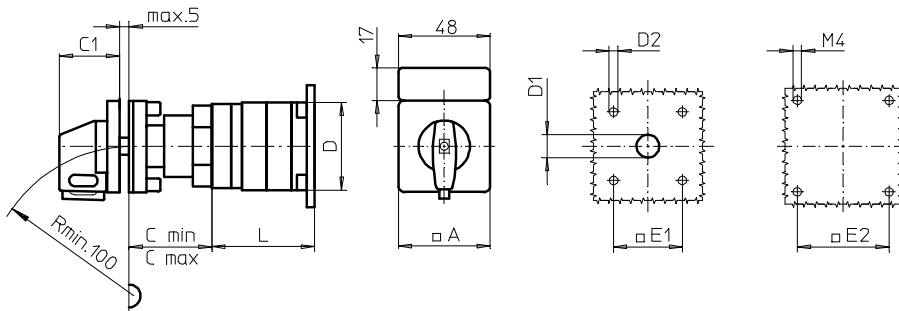
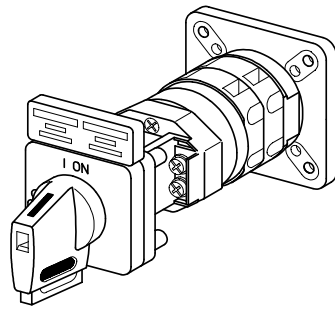
FAZ2 - 8041

Dimensions (mm)

| Product lines | A | C _{min} | C _{max} | C1 | D | D1 | D2 | E1 | E2 | L with ... stages (max. 12) | | | each add. stage |
|---------------|----|------------------|------------------|----|----|----|-----|----|----|-----------------------------|----|----|-----------------|
| | | | | | | | | | | 1 | 2 | 3 | |
| M220 | 67 | 42 | 59 | 33 | 46 | 15 | 4,5 | 36 | 48 | 38 | 48 | 58 | 10 |
| M221 | 67 | 42 | 59 | 33 | 46 | 15 | 4,5 | 36 | 48 | 41 | 54 | 67 | 13 |
| M225 | 67 | 42 | 59 | 33 | 48 | 15 | 4,5 | 36 | 48 | 41 | 54 | 67 | 13 |
| T225 | 67 | 42 | 59 | 33 | 50 | 15 | 4,5 | 36 | 48 | 43 | 58 | 73 | 15 |

Base Mounting Switches

sälzer



Product lines
M200 / T200

Base mounting switch

Door interlock

Modular shaft extension
N/PE connection link

Four hole mounting

36 x 36 mm front
48 x 48 mm base

034V1 (IP66)

034V4 (IP66)

| Complete switch | Poles | Product line | Rated data (IEC 60947) | | | Order code number |
|------------------------------|----------|--------------|------------------------------------|--------------------------------|------------|------------------------------|
| | | | Operational current I _e | Operational power at 380–440 V | | |
| | | | AC-21A A | AC-23A kW | AC-3 kW | |
| Main Switches | 1 ... 24 | M200 | 20 | 7,5 | 5,5 | M220 - 61 ... - 034V1 |
| Switching angle 90° | | | 25 | 11 | 7,5 | M225 - 61 ... - 034V1 |
| OFF position padlockable 09h | 1 ... 24 | T200 | 32 | 15 | 11 | T225 - 61 ... - 034V1 |
| Main/Emergency-Off Switches | 1 ... 24 | M200 | 20 | 7,5 | 5,5 | M220 - 61 ... - 034V4 |
| Switching angle 90° | | | 25 | 11 | 7,5 | M225 - 61 ... - 034V4 |
| OFF position padlockable 09h | 1 ... 24 | T200 | 32 | 15 | 11 | T225 - 61 ... - 034V4 |

SMD modules for basic switch

Mounting form module for 034V.

M200
T200

BFB2 - 042
BFE2 - 042

V-operator module 48 x 48 mm, mounting form 034V1
Escutcheon black, handle black
Legend plate silver, operator module 034V1

M200 / T200

2AV1 - 09

V-operator module 48 x 48 mm, mounting form 034V4
Escutcheon black, handle red
Legend plate yellow, operator module 034V4

FAS2 - 9078

2AV4 - 09

Additional top escutcheon plate

FBS2 - 9078

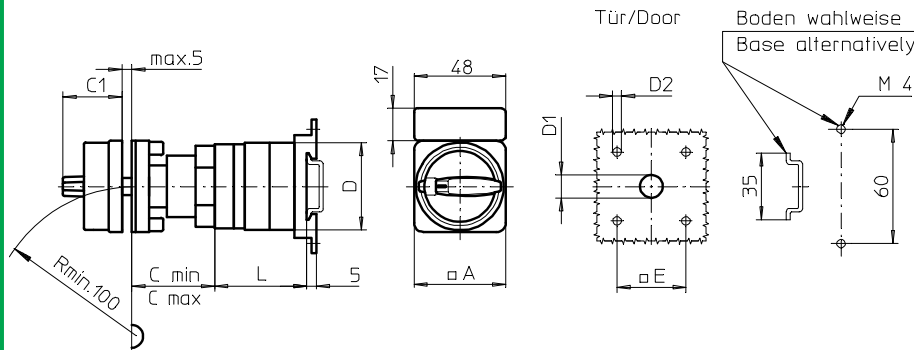
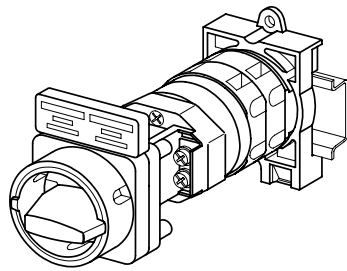
FAZ2 - 8041

Dimensions (mm)

| Product lines | A | C _{min} | C _{max} | C1 | D | D1 | D2 | E1 | E2 | L with ... stages (max. 12) each add. | | | stage |
|---------------|----|------------------|------------------|----|----|----|-----|----|----|---------------------------------------|----|----|-------|
| | | | | | | | | | | 1 | 2 | 3 | |
| M220 | 48 | 42 | 57 | 32 | 46 | 12 | 4,5 | 36 | 48 | 38 | 48 | 58 | 10 |
| M221 | 48 | 42 | 57 | 32 | 46 | 12 | 4,5 | 36 | 48 | 41 | 54 | 67 | 13 |
| M225 | 48 | 42 | 57 | 32 | 48 | 12 | 4,5 | 36 | 48 | 41 | 54 | 67 | 13 |
| T225 | 48 | 42 | 57 | 32 | 50 | 12 | 4,5 | 36 | 48 | 43 | 58 | 73 | 15 |

Base Mounting Switches

sälzer



Product lines
M200 / T200

Base mounting switch

Door interlock

Modular shaft extension
N/PE connection link

Four hole mounting

36 x 36 mm front
Snap on mounting base plate

235M1 (IP66)

235M4 (IP66)

| Complete switch | Poles | Product line | Rated data (IEC 60947) | | | Order code number |
|------------------------------|----------|--------------|------------------------------------|--------------------------------|------------|------------------------------|
| | | | Operational current I _e | Operational power at 380–440 V | | |
| | | | AC-21A A | AC-23A kW | AC-3 kW | |
| Main Switches | 1 ... 24 | M200 | 20 | 7,5 | 5,5 | M220 - 61 ... - 235M1 |
| Switching angle 90° | | | 25 | 11 | 7,5 | M225 - 61 ... - 235M1 |
| OFF position padlockable 09h | 1 ... 24 | T200 | 32 | 15 | 11 | T225 - 61 ... - 235M1 |
| Main/Emergency-Off Switches | 1 ... 24 | M200 | 20 | 7,5 | 5,5 | M220 - 61 ... - 235M4 |
| Switching angle 90° | | | 25 | 11 | 7,5 | M225 - 61 ... - 235M4 |
| OFF position padlockable 09h | 1 ... 24 | T200 | 32 | 15 | 11 | T225 - 61 ... - 235M4 |

SMD modules for basic switch

Mounting form module for 235M.

M200
T200

BFB2 - 242
BFE2 - 242

M-padlock device 48 x 48 mm, mounting form 235M1
Escutcheon black, padlockable handle black

M200 / T200

2BM1

M-padlock device 48 x 48 mm, mounting form 235M4
Escutcheon yellow, padlockable handle red

2BM4

Additional top escutcheon plate

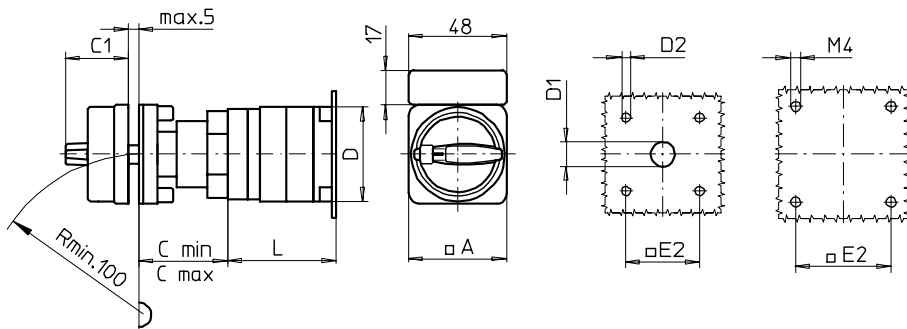
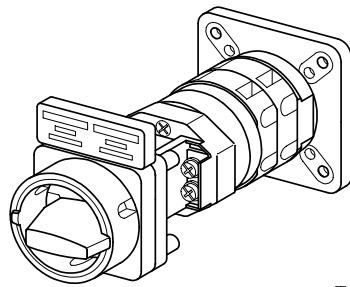
FAZ2 - 8041

Dimensions (mm)

| Product lines | A | C _{min} | C _{max} | C1 | D | D1 | D2 | E | L with ... stages (max. 12) | | | | each add. stage |
|---------------|----|------------------|------------------|----|----|----|-----|----|-----------------------------|----|----|----|-----------------|
| | | | | | | | | | 1 | 2 | 3 | 4 | |
| M220 | 48 | 42 | 57 | 31 | 46 | 12 | 4,5 | 36 | 37 | 47 | 57 | 67 | 10 |
| M221 | 48 | 42 | 57 | 31 | 46 | 12 | 4,5 | 36 | 40 | 53 | 66 | 79 | 13 |
| M225 | 48 | 42 | 57 | 31 | 48 | 12 | 4,5 | 36 | 40 | 53 | 66 | 79 | 13 |
| T225 | 48 | 42 | 57 | 31 | 50 | 12 | 4,5 | 36 | 42 | 57 | 72 | 87 | 15 |

Base Mounting Switches

sälzer



Product lines
M200 / T200

Base mounting switch

Door interlock

Modular shaft extension
N/PE connection link

Four hole mounting

36 x 36 mm front
48 x 48 mm base

135M1 (IP66)

135M4 (IP66)

| Complete switch | Poles | Product line | Rated data (IEC 60947) | | | Order code number |
|------------------------------|----------|--------------|------------------------------------|--------------------------------|------------|------------------------------|
| | | | Operational current I _e | Operational power at 380–440 V | | |
| | | | AC-21A A | AC-23A kW | AC-3 kW | |
| Main Switches | 1 ... 24 | M200 | 20 | 7,5 | 5,5 | M220 - 61 ... - 135M1 |
| Switching angle 90° | | | 25 | 11 | 7,5 | M225 - 61 ... - 135M1 |
| OFF position padlockable 09h | 1 ... 24 | T200 | 32 | 15 | 11 | T225 - 61 ... - 135M1 |
| Main/Emergency-Off Switches | 1 ... 24 | M200 | 20 | 7,5 | 5,5 | M220 - 61 ... - 135M4 |
| Switching angle 90° | | | 25 | 11 | 7,5 | M225 - 61 ... - 135M4 |
| OFF position padlockable 09h | 1 ... 24 | T200 | 32 | 15 | 11 | T225 - 61 ... - 135M4 |

SMD modules for basic switch

Mounting form module for 135M.

M200
T200

BFB2 - 042
BFE2 - 042

M-padlock device 48 x 48 mm, mounting form 135M1
Escutcheon black, padlockable handle black

M200 / T200

2BM1

M-padlock device 48 x 48 mm, mounting form 135M4
Escutcheon yellow, padlockable handle red

2BM4

Additional top escutcheon plate

FAZZ - 8041

Dimensions (mm)

| Product lines | A | C _{min} | C _{max} | C1 | D | D1 | D2 | E1 | E2 | L with ... stages (max. 12) each add. | | | stage |
|---------------|----|------------------|------------------|----|----|----|-----|----|----|---------------------------------------|----|----|-------|
| | | | | | | | | | | 1 | 2 | 3 | |
| M220 | 48 | 42 | 57 | 31 | 46 | 12 | 4,5 | 36 | 48 | 38 | 48 | 58 | 10 |
| M221 | 48 | 42 | 57 | 31 | 46 | 12 | 4,5 | 36 | 48 | 41 | 54 | 67 | 13 |
| M225 | 48 | 42 | 57 | 31 | 48 | 12 | 4,5 | 36 | 48 | 41 | 54 | 67 | 13 |
| T225 | 48 | 42 | 57 | 31 | 50 | 12 | 4,5 | 36 | 48 | 43 | 58 | 73 | 15 |

Base Mounting Switches

sälzer

Product lines
M200 / T200

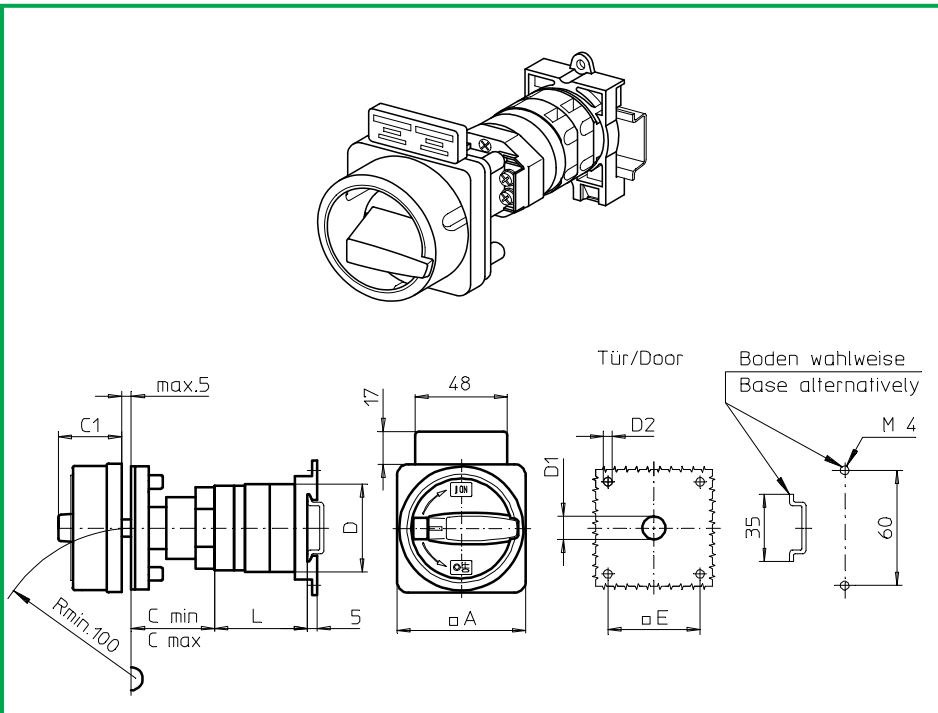
Base mounting switch
Operator module of next size

Door interlock
Modular shaft extension
N/PE connection link

Four hole mounting
48 x 48 mm front
Snap on mounting base plate

238M1 (IP66)

238M4 (IP66)



| Complete switch | Poles | Product line | Rated data (IEC 60947) | | | Order code number |
|------------------------------|----------|--------------|------------------------------------|--------------------------------|------------|------------------------------|
| | | | Operational current I _e | Operational power at 380–440 V | | |
| | | | AC-21A A | AC-23A kW | AC-3 kW | |
| Main Switches | 1 ... 24 | M200 | 20 | 7,5 | 5,5 | M220 - 61 ... - 238M1 |
| Switching angle 90° | | | 25 | 11 | 7,5 | M225 - 61 ... - 238M1 |
| OFF position padlockable 09h | 1 ... 24 | T200 | 32 | 15 | 11 | T225 - 61 ... - 238M1 |
| Main/Emergency-Off Switches | 1 ... 24 | M200 | 20 | 7,5 | 5,5 | M220 - 61 ... - 238M4 |
| Switching angle 90° | | | 25 | 11 | 7,5 | M225 - 61 ... - 238M4 |
| OFF position padlockable 09h | 1 ... 24 | T200 | 32 | 15 | 11 | T225 - 61 ... - 238M4 |

SMD modules for basic switch

Mounting form module for 238M.

M200
T200

BFC2 - 238
BFD2 - 238

M-padlock device 67 x 67 mm, mounting form 238M1
Escutcheon black, padlockable handle black

M200 / T200

4BM1

M-padlock device 67 x 67 mm, mounting form 238M4
Escutcheon yellow, padlockable handle red

4BM4

Additional top escutcheon plate

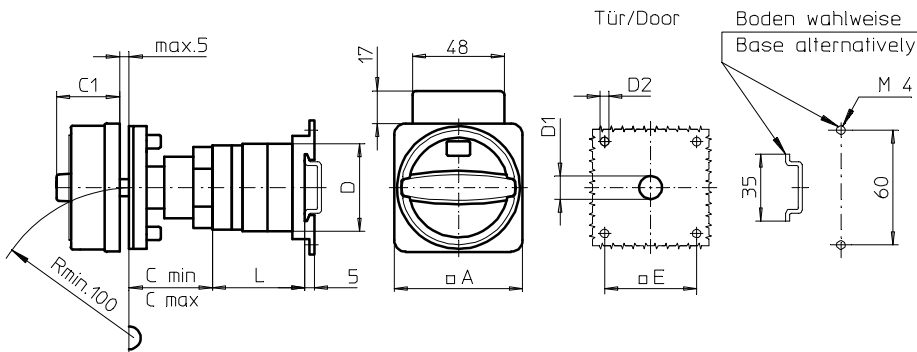
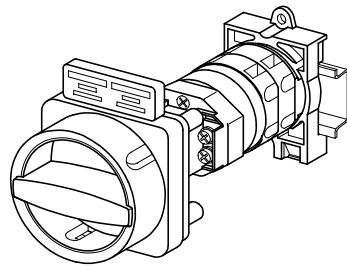
FAZ2 - 8041

Dimensions (mm)

| Product lines | A | C _{min} | C _{max} | C1 | D | D1 | D2 | E | L with ... stages (max. 12) | | | | each add. stage |
|---------------|----|------------------|------------------|-----------|-----------|-----------|----------|-----------|-----------------------------|-----------|-----------|-----------|-----------------|
| | | | | | | | | | 1 | 2 | 3 | 4 | |
| M220 | 67 | 42 | 57 | 38 | 46 | 15 | 5 | 48 | 37 | 47 | 57 | 67 | 10 |
| M221 | 67 | 42 | 57 | 38 | 46 | 15 | 5 | 48 | 40 | 53 | 66 | 79 | 13 |
| M225 | 67 | 42 | 57 | 38 | 48 | 15 | 5 | 48 | 40 | 53 | 66 | 79 | 13 |
| T225 | 67 | 42 | 57 | 38 | 50 | 15 | 5 | 48 | 42 | 57 | 72 | 87 | 15 |

Base Mounting Switches

sälzer



Product lines
M200 / T200

Base mounting switch
Operator module of next size

Door interlock
Modular shaft extension
N/PE connection link

Four hole mounting
48 x 48 mm front
Snap on mounting base plate

238N1 (IP66)

238N4 (IP66)

| Complete switch | Poles | Product line | Rated data (IEC 60947) | | | Order code number |
|------------------------------|----------|--------------|------------------------------------|--------------------------------|------------|------------------------------|
| | | | Operational current I _e | Operational power at 380–440 V | | |
| | | | AC-21A A | AC-23A kW | AC-3 kW | |
| Main Switches | 1 ... 24 | M200 | 20 | 7,5 | 5,5 | M220 - 61 ... - 238N1 |
| Switching angle 90° | | | 25 | 11 | 7,5 | M225 - 61 ... - 238N1 |
| OFF position padlockable 09h | 1 ... 24 | T200 | 32 | 15 | 11 | T225 - 61 ... - 238N1 |
| Main/Emergency-Off Switches | 1 ... 24 | M200 | 20 | 7,5 | 5,5 | M220 - 61 ... - 238N4 |
| Switching angle 90° | | | 25 | 11 | 7,5 | M225 - 61 ... - 238N4 |
| OFF position padlockable 09h | 1 ... 24 | T200 | 32 | 15 | 11 | T225 - 61 ... - 238N4 |

SMD modules for basic switch

Mounting form module for 238N.

M200
T200

BFC2 - 238
BFD2 - 238

N-padlock device 67 x 67 mm, mounting form 238N1
Escutcheon black, padlockable handle black

M200 / T200

4BN1

N-padlock device 67 x 67 mm, mounting form 238N4
Escutcheon yellow, padlockable handle red

4BN4

Additional top escutcheon plate

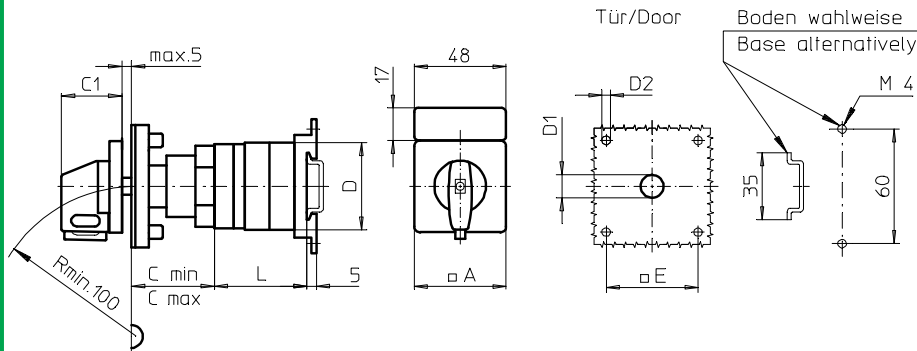
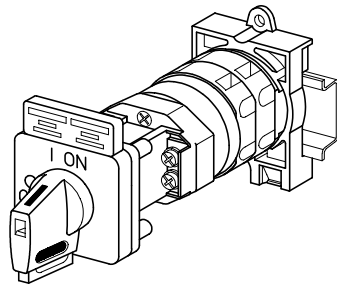
FAZZ - 8041

Dimensions (mm)

| Product lines | A | C _{min} | C _{max} | C1 | D | D1 | D2 | E | L with ... stages (max. 12) | | | | each add. stage |
|---------------|----|------------------|------------------|----|----|----|----|----|-----------------------------|----|----|----|-----------------|
| | | | | | | | | | 1 | 2 | 3 | 4 | |
| M220 | 67 | 42 | 57 | 33 | 46 | 15 | 5 | 48 | 37 | 47 | 57 | 67 | 10 |
| M221 | 67 | 42 | 57 | 33 | 46 | 15 | 5 | 48 | 40 | 53 | 66 | 79 | 13 |
| M225 | 67 | 42 | 57 | 33 | 48 | 15 | 5 | 48 | 40 | 53 | 66 | 79 | 13 |
| T225 | 67 | 42 | 57 | 33 | 50 | 15 | 5 | 48 | 42 | 57 | 72 | 87 | 15 |

Base Mounting Switches

sälzer



Product lines
M200 / T200

Base mounting switch
Operator module of next size

Door interlock
Modular shaft extension
N/PE connection link

Four hole mounting
48 x 48 mm front
Snap on mounting base plate

238V1 (IP66)

238V4 (IP66)

| Complete switch | Poles | Product line | Rated data (IEC 60947) | | | Order code number |
|------------------------------|----------|--------------|------------------------------------|--------------------------------|------------|------------------------------|
| | | | Operational current I _e | Operational power at 380–440 V | | |
| | | | AC-21A A | AC-23A kW | AC-3 kW | |
| Main Switches | 1 ... 24 | M200 | 20 | 7,5 | 5,5 | M220 - 61 ... - 238V1 |
| Switching angle 90° | | | 25 | 11 | 7,5 | M225 - 61 ... - 238V1 |
| OFF position padlockable 09h | 1 ... 24 | T200 | 32 | 15 | 11 | T225 - 61 ... - 238V1 |
| Main/Emergency-Off Switches | 1 ... 24 | M200 | 20 | 7,5 | 5,5 | M220 - 61 ... - 238V4 |
| Switching angle 90° | | | 25 | 11 | 7,5 | M225 - 61 ... - 238V4 |
| OFF position padlockable 09h | 1 ... 24 | T200 | 32 | 15 | 11 | T225 - 61 ... - 238V4 |

SMD modules for basic switch

Mounting form module for 238V.

M200
T200

BFD2 - 248
BFF2 - 248

V-operator module 64 x 64 mm, mounting form 238V1
Escutcheon black, handle black
Legend plate silver, operator module 238V1

M200 / T200

4AV1 - 09

V-operator module 64 x 64 mm, mounting form 238V4
Escutcheon black, handle red
Legend plate yellow, operator module 238V4

FAS4 - 9078

4AV4 - 09

Additional top escutcheon plate

FBS4 - 9078

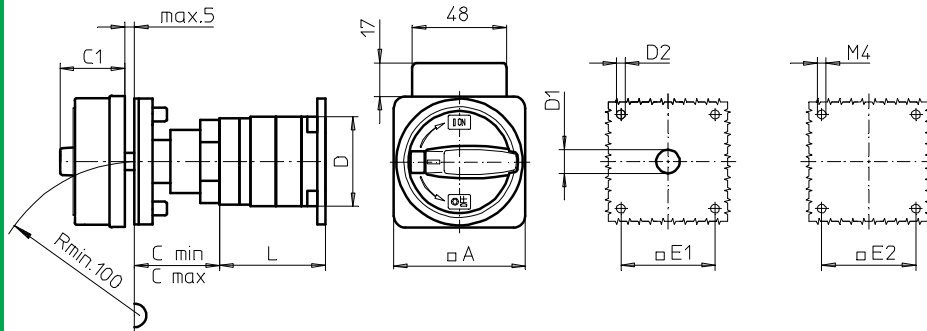
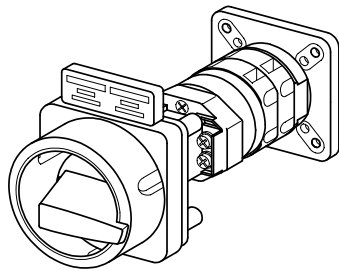
FAZ2 - 8041

Dimensions (mm)

| Product lines | A | C _{min} | C _{max} | C1 | D | D1 | D2 | E | L with ... stages (max. 12) | | | | each add. stage |
|---------------|----|------------------|------------------|----|----|----|----|----|-----------------------------|----|----|----|-----------------|
| | | | | | | | | | 1 | 2 | 3 | 4 | |
| M220 | 64 | 42 | 57 | 39 | 46 | 15 | 5 | 48 | 37 | 47 | 57 | 67 | 10 |
| M221 | 64 | 42 | 57 | 39 | 46 | 15 | 5 | 48 | 40 | 53 | 66 | 79 | 13 |
| M225 | 64 | 42 | 57 | 39 | 48 | 15 | 5 | 48 | 40 | 53 | 66 | 79 | 13 |
| T225 | 64 | 42 | 57 | 39 | 50 | 15 | 5 | 48 | 42 | 57 | 72 | 87 | 15 |

Base Mounting Switches

sälzer



Product lines
M200 / T200

Base mounting switch
Operator module of next size

Door interlock
Modular shaft extension
N/PE connection link

Four hole mounting
48 x 48 mm front
48 x 48 mm base

038M1 (IP66)

038M4 (IP66)

| Complete switch | Poles | Product line | Rated data (IEC 60947) | | | Order code number |
|------------------------------|----------|--------------|------------------------------------|--------------------------------|------------|------------------------------|
| | | | Operational current I _e | Operational power at 380–440 V | | |
| | | | AC-21A A | AC-23A kW | AC-3 kW | |
| Main Switches | 1 ... 24 | M200 | 20 | 7,5 | 5,5 | M220 - 61 ... - 038M1 |
| Switching angle 90° | | | 25 | 11 | 7,5 | M225 - 61 ... - 038M1 |
| OFF position padlockable 09h | 1 ... 24 | T200 | 32 | 15 | 11 | T225 - 61 ... - 038M1 |
| Main/Emergency-Off Switches | 1 ... 24 | M200 | 20 | 7,5 | 5,5 | M220 - 61 ... - 038M4 |
| Switching angle 90° | | | 25 | 11 | 7,5 | M225 - 61 ... - 038M4 |
| OFF position padlockable 09h | 1 ... 24 | T200 | 32 | 15 | 11 | T225 - 61 ... - 038M4 |

SMD modules for basic switch

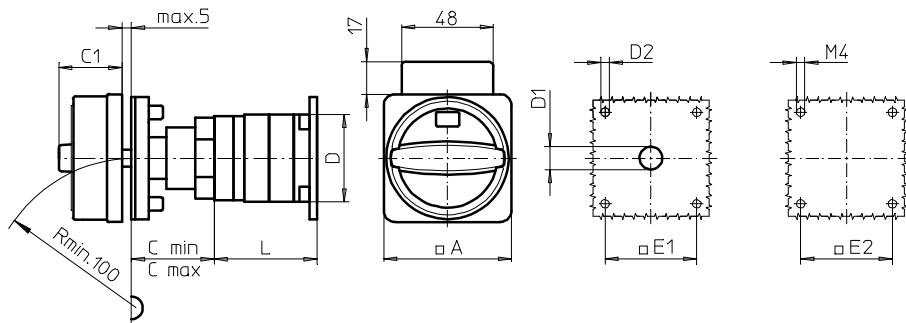
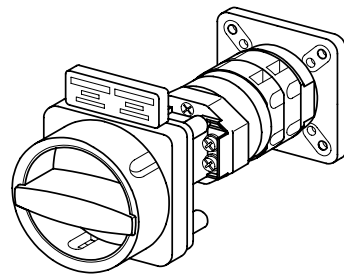
| | | |
|--|--------------|--|
| Mounting form module for 038M. | M200 T200 | BFC2 - 038 BFD2 - 038 |
| M-padlock device 67 x 67 mm, mounting form 038M1 Escutcheon black, padlockable handle black | M200 / T200 | 4BM1 |
| M-padlock device 67 x 67 mm, mounting form 038M4 Escutcheon yellow, padlockable handle red | | 4BM4 |
| Additional top escutcheon plate | | FAZZ - 8041 |

Dimensions (mm)

| Product lines | A | C _{min} | C _{max} | C1 | D | D1 | D2 | E1 | E2 | L with ... stages (max. 12) each add. | | | stage |
|---------------|----|------------------|------------------|----|----|----|----|----|----|---------------------------------------|----|----|-------|
| | | | | | | | | | | 1 | 2 | 3 | |
| M220 | 67 | 42 | 57 | 38 | 46 | 15 | 5 | 48 | 48 | 38 | 48 | 58 | 10 |
| M221 | 67 | 42 | 57 | 38 | 46 | 15 | 5 | 48 | 48 | 41 | 54 | 67 | 13 |
| M225 | 67 | 42 | 57 | 38 | 48 | 15 | 5 | 48 | 48 | 41 | 54 | 67 | 13 |
| T225 | 67 | 42 | 57 | 38 | 50 | 15 | 5 | 48 | 48 | 43 | 58 | 73 | 15 |

Base Mounting Switches

sälzer



Product lines
M200 / T200

Base mounting switch
Operator module of next size

Door interlock
Modular shaft extension
N/PE connection link

Four hole mounting
48 x 48 mm front
48 x 48 mm base

038N1 (IP66)
038N4 (IP66)

| Complete switch | Poles | Product line | Rated data (IEC 60947) | | | Order code number |
|------------------------------|----------|--------------|------------------------------------|--------------------------------|------------|------------------------------|
| | | | Operational current I _e | Operational power at 380–440 V | | |
| | | | AC-21A A | AC-23A kW | AC-3 kW | |
| Main Switches | 1 ... 24 | M200 | 20 | 7,5 | 5,5 | M220 - 61 ... - 038N1 |
| Switching angle 90° | | | 25 | 11 | 7,5 | M225 - 61 ... - 038N1 |
| OFF position padlockable 09h | 1 ... 24 | T200 | 32 | 15 | 11 | T225 - 61 ... - 038N1 |
| Main/Emergency-Off Switches | 1 ... 24 | M200 | 20 | 7,5 | 5,5 | M220 - 61 ... - 038N4 |
| Switching angle 90° | | | 25 | 11 | 7,5 | M225 - 61 ... - 038N4 |
| OFF position padlockable 09h | 1 ... 24 | T200 | 32 | 15 | 11 | T225 - 61 ... - 038N4 |

SMD modules for basic switch

Mounting form module for 038N.

M200
T200

BFC2 - 038
BFD2 - 038

N-padlock device 67 x 67 mm, mounting form 038N1
Escutcheon black, padlockable handle black

M200 / T200

4BN1

N-padlock device 67 x 67 mm, mounting form 038N4
Escutcheon yellow, padlockable handle red

4BN4

Additional top escutcheon plate

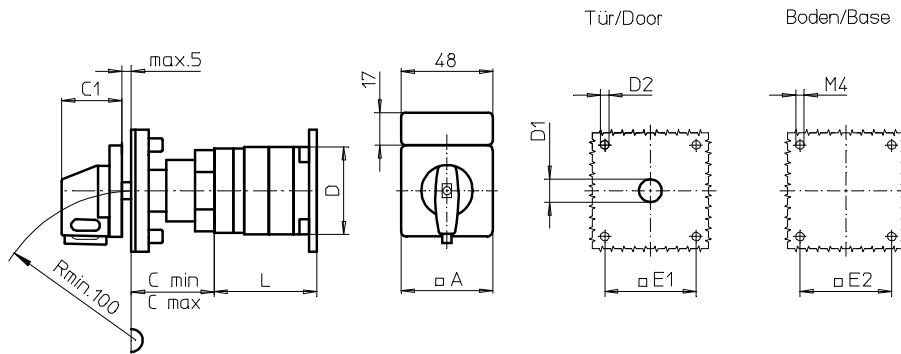
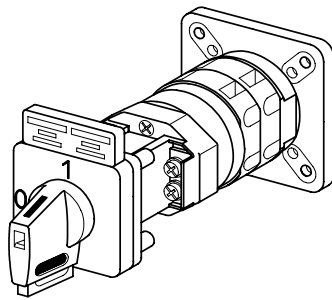
FAZ2 - 8041

Dimensions (mm)

| Product lines | A | C _{min} | C _{max} | C1 | D | D1 | D2 | E1 | E2 | L with ... stages (max. 12) | | | each add. stage |
|---------------|----|------------------|------------------|----|----|----|----|----|----|-----------------------------|----|----|-----------------|
| | | | | | | | | | | 1 | 2 | 3 | |
| M220 | 67 | 42 | 57 | 33 | 46 | 15 | 5 | 48 | 48 | 38 | 48 | 58 | 10 |
| M221 | 67 | 42 | 57 | 33 | 46 | 15 | 5 | 48 | 48 | 41 | 54 | 67 | 13 |
| M225 | 67 | 42 | 57 | 33 | 48 | 15 | 5 | 48 | 48 | 41 | 54 | 67 | 13 |
| T225 | 67 | 42 | 57 | 33 | 50 | 15 | 5 | 48 | 48 | 43 | 58 | 73 | 15 |

Base Mounting Switches

sälzer



Product lines
M200 / T200

Base mounting switch
Operator module of next size

Door interlock
Modular shaft extension
N/PE connection link

Four hole mounting
48 x 48 mm front
48 x 48 mm base

038V1 (IP66)

038V4 (IP66)

| Complete switch | Poles | Product line | Rated data (IEC 60947) | | | Order code number |
|------------------------------|----------|--------------|------------------------------------|--------------------------------|------------|------------------------------|
| | | | Operational current I _e | Operational power at 380–440 V | | |
| | | | AC-21A A | AC-23A kW | AC-3 kW | |
| Main Switches | 1 ... 24 | M200 | 20 | 7,5 | 5,5 | M220 - 61 ... - 038V1 |
| Switching angle 90° | | | 25 | 11 | 7,5 | M225 - 61 ... - 038V1 |
| OFF position padlockable 09h | 1 ... 24 | T200 | 32 | 15 | 11 | T225 - 61 ... - 038V1 |
| Main/Emergency-Off Switches | 1 ... 24 | M200 | 20 | 7,5 | 5,5 | M220 - 61 ... - 038V4 |
| Switching angle 90° | | | 25 | 11 | 7,5 | M225 - 61 ... - 038V4 |
| OFF position padlockable 09h | 1 ... 24 | T200 | 32 | 15 | 11 | T225 - 61 ... - 038V4 |

SMD modules for basic switch

Mounting form module for 038V.

M200
T200

BFD2 - 048
BFF2 - 048

V-operator module 64 x 64 mm, mounting form 038V1
Escutcheon black, handle black
Legend plate silver, operator module 038V1

M200 / T200

4AV1 - 09

V-operator module 64 x 64 mm, mounting form 038V4
Escutcheon black, handle red
Legend plate yellow, operator module 038V4

FAS4 - 9078

4AV4 - 09

Additional top escutcheon plate

FBS4 - 9078

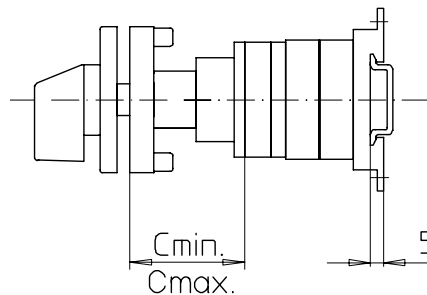
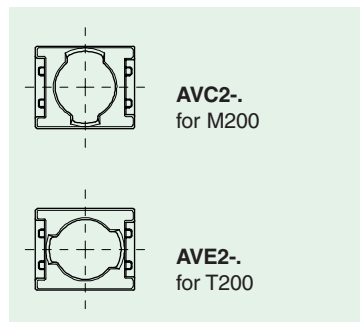
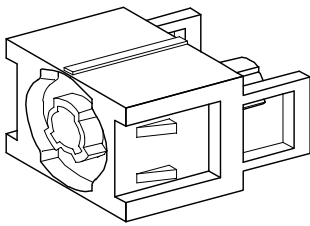
FAZ2 - 8041

Dimensions (mm)

| Product lines | A | C _{min} | C _{max} | C1 | D | D1 | D2 | E1 | E2 | L with ... stages (max. 12) | | | each add. stage |
|---------------|----|------------------|------------------|----|----|----|----|----|----|-----------------------------|----|----|-----------------|
| | | | | | | | | | | 1 | 2 | 3 | |
| M220 | 64 | 42 | 57 | 39 | 46 | 15 | 5 | 48 | 48 | 38 | 48 | 58 | 10 |
| M221 | 64 | 42 | 57 | 39 | 46 | 15 | 5 | 48 | 48 | 41 | 54 | 67 | 13 |
| M225 | 64 | 42 | 57 | 39 | 48 | 15 | 5 | 48 | 48 | 41 | 54 | 67 | 13 |
| T225 | 64 | 42 | 57 | 39 | 50 | 15 | 5 | 48 | 48 | 43 | 58 | 73 | 15 |

Modular shaft extension

sälzer



**Product lines
M200 / T200**

Base mounting switch

Door interlock
Modular shaft extension

Four hole mounting
Front

AVC2 - .
AVE2 - .

Modular shaft extensions for use with door interlock M200/T200

Dimensions C_{min} , C_{max}

| No. | C_{min} | C_{max} | Quantity | Order code number for M200 | Order code number for T200 |
|-----|-----------|-----------|----------|-------------------------------|-------------------------------|
| 0 | 42 mm | 57 mm | - | - | - |
| 1 | 64 mm | 82 mm | 1 | AVC2 - 1 | AVE2 - 1 |
| 2 | 89 mm | 107 mm | 1 | AVC2 - 2 | AVE2 - 2 |
| 3 | 114 mm | 132 mm | 1 | AVC2 - 3 | AVE2 - 3 |
| 4 | 139 mm | 157 mm | 1 | AVC2 - 4 | AVE2 - 4 |
| 5 | 164 mm | 182 mm | 1 | AVC2 - 5 | AVE2 - 5 |
| 6 | 189 mm | 207 mm | 1 | AVC2 - 6 | AVE2 - 6 |



Section C

| | Page |
|-----------------------------|-------------------|
| | from to |
| Insulated Enclosures | C1-1 C1-14 |

Originator: Sälzer Electric GmbH · Product Data Management (PDM) · 09306 Rochlitz (Germany)
Copyright reserved by Sälzer Electric GmbH. This document replaces all previous issues.
Valid until a new version is published. Changes and revisions reserved.

Enclosed Switches

sälzer

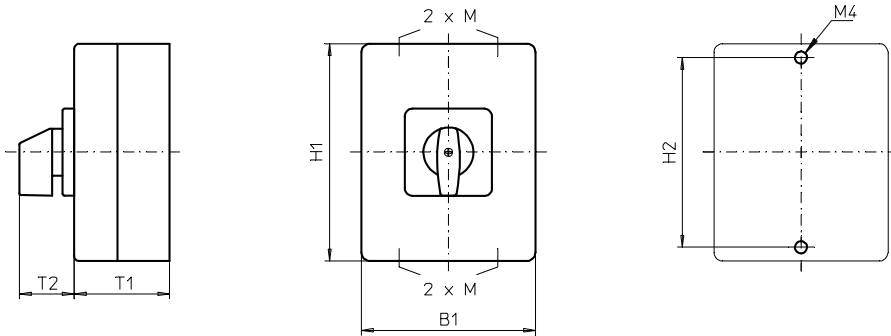
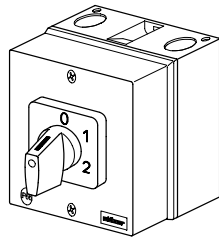
Product line
M200

Enclosed Switches

Insulated enclosure
100 x 80 x 65 mm

Cable entries
4 x M20

076M1 (IP66)



| Complete switch | Poles | Product line | Rated data (IEC 60947) | | | Order code number |
|--|---------|--------------|------------------------------------|--------------------------------|------------|------------------------------|
| | | | Operational current I _e | Operational power at 380–440 V | | |
| | | | AC-21A A | AC-23A kW | AC-3 kW | |
| Rotary Cam Switches Switching angle 30°/45°/60°/90° | 1 ... 4 | M200 | 20 | 7,5 | 5,5 | M220 - 61 ... - 076M1 |

SMD modules for basic switch

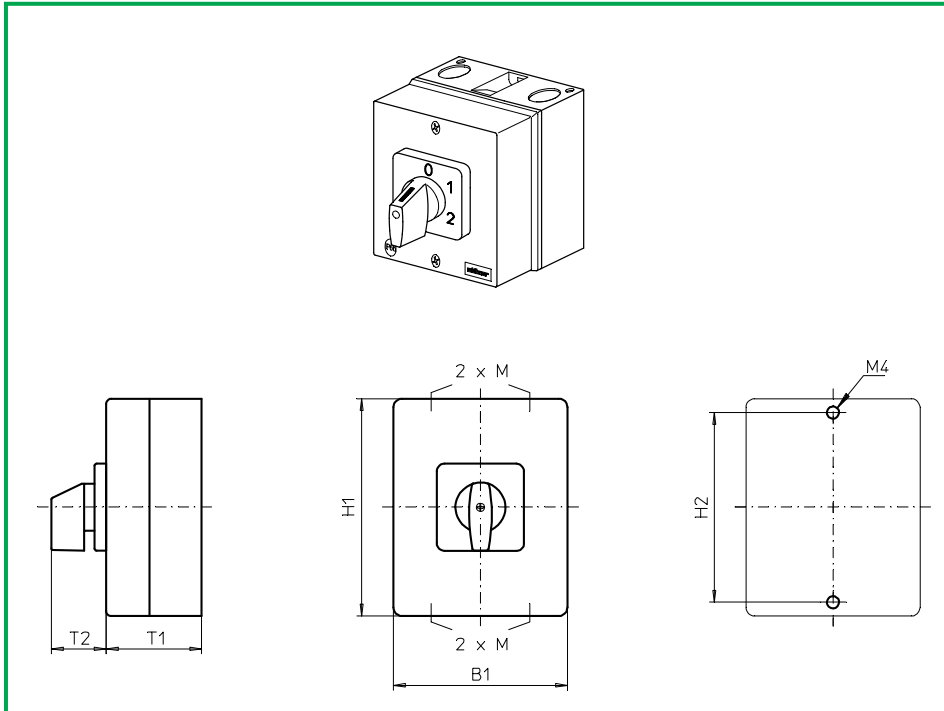
| | | |
|--|------|--------------------------------|
| Mounting form module for 076M1, 1 contact stage | M220 | BFE2 - EA |
| Mounting form module for 076M1, 2 contact stages | M220 | BFF2 - EA |
| Enclosure module, mounting form 076M1 | | PAM2 - 076M1 |
| Legend plate silver, enclosure module 076M1 | | FAS2 - (FA number) |

Dimensions (mm)

| Product line | H1 | B1 | T1 | T2 | 2xM | H2 |
|--------------|-----|----|----|----|-----|----|
| M220 | 100 | 80 | 65 | 32 | 20 | 90 |

Enclosed Switches

sälzer



Product line
M200

Enclosed Switches

Insulated enclosure
100 x 80 x 85 mm

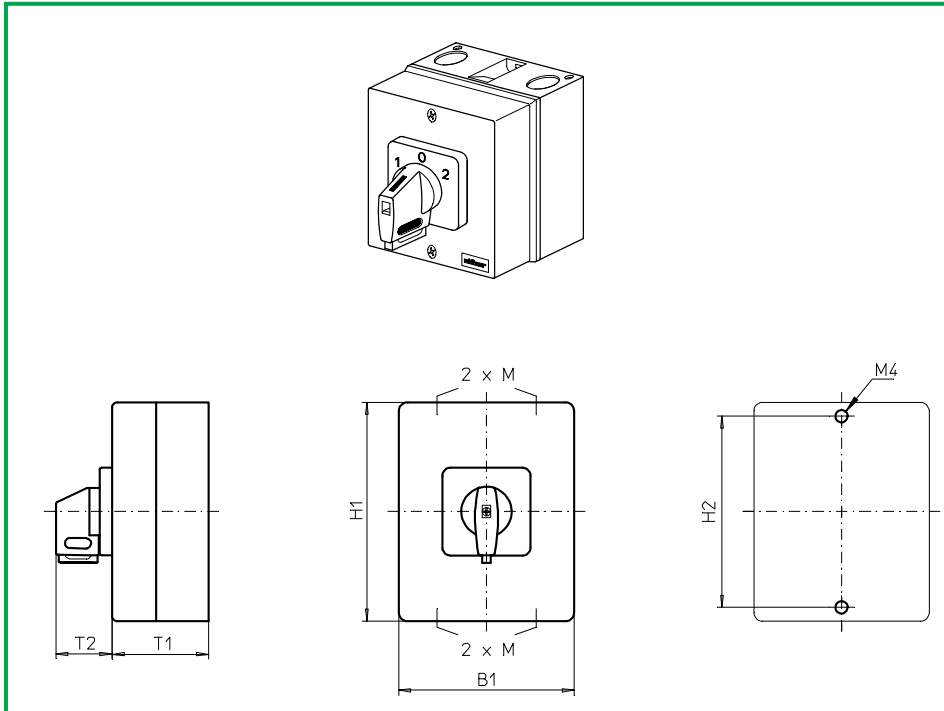
Cable entries
4 x M20

176M1 (IP66)

| Complete switch | Poles | Product line | Rated data (IEC 60947) | | | Order code number |
|--|-----------|--------------|------------------------------------|--------------------------------|------------|--------------------------------|
| | | | Operational current I _e | Operational power at 380–440 V | | |
| | | | AC-21A A | AC-23A kW | AC-3 kW | |
| Rotary Cam Switches Switching angle 30°/45°/60°/90° | 5 ... 8 | M200 | 20 | 7,5 | 5,5 | M220 - 61 ... - 176M1 |
| SMD modules for basic switch | | | | | | |
| Mounting form module for 176M1, 3 contact stages | | | M220 | | | BFE2 - EA |
| Mounting form module for 176M1, 4 contact stages | | | M220 | | | BFF2 - EA |
| Enclosure module, mounting form 176M1 | | | | | | PAM2 - 176M1 |
| Legend plate silver, enclosure module 176M1 | | | | | | FAS2 - (FA number) |
| Dimensions (mm) | | | | | | |
| Product line | H1 | B1 | T1 | T2 | 2xM | H2 |
| M220 | 100 | 80 | 85 | 32 | 20 | 90 |

Enclosed Switches

sälzer



Product line
M200

Enclosed Switches

Insulated enclosure
100 x 80 x 65 mm

Cable entries
4 x M20

076V1 (IP66)
078V1 (IP66)

| Complete switch | Poles | Product line | Rated data (IEC 60947) | | | Order code number |
|--|---------|--------------|------------------------------------|--------------------------------|------------|------------------------------|
| | | | Operational current I _e | Operational power at 380–440 V | | |
| | | | AC-21A A | AC-23A kW | AC-3 kW | |
| Rotary Cam Switches Switching angle 30°/45°/60°/90° Padlockable 12h | 1 ... 4 | M200 | 20 | 7,5 | 5,5 | M220 - 61 ... - 076V1 |
| Rotary Cam Switches Switching angle 90° 3 positions padlockable (09h/12h/03h) | 1 ... 4 | M200 | 20 | 7,5 | 5,5 | M220 - 61 ... - 078V1 |

SMD modules for basic switch

Mounting form module for 076V1/ 078V1, 1 contact stage
Mounting form module for 076V1/ 078V1, 2 contact stages

M220
M220

BFE2 - EA
BFF2 - EA

Enclosure module, mounting form 076V1
Enclosure module, mounting form 078V1

PAM2 - 076V1
PAM2 - 078V1

Legend plate silver, enclosure module 076V1/ 078V1

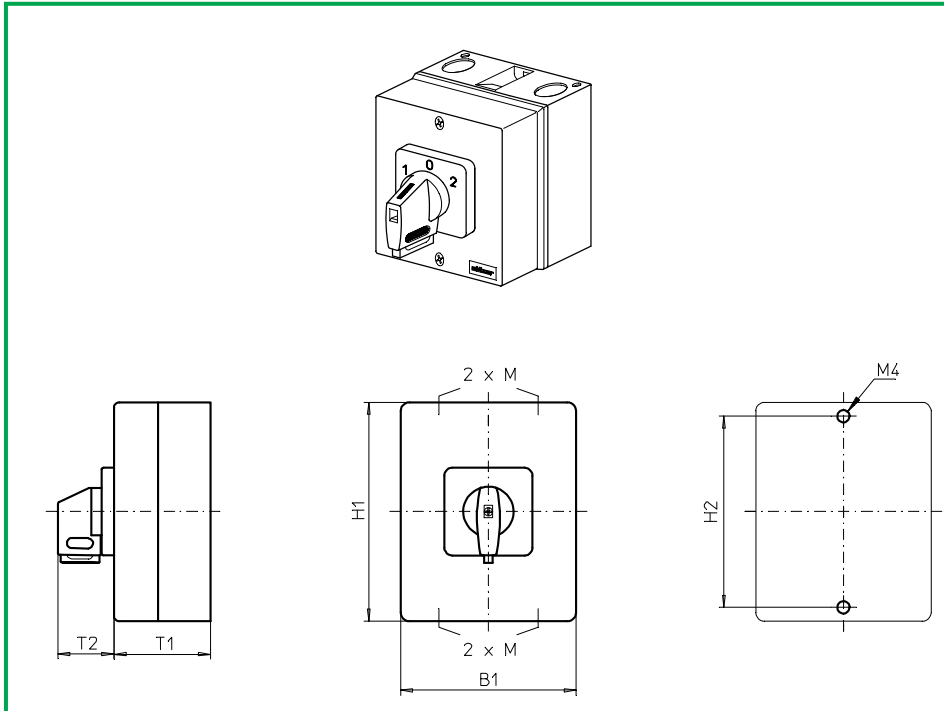
FAS2 - (FA number)

Dimensions (mm)

| Product line | H1 | B1 | T1 | T2 | 2xM | H2 |
|--------------|-----|----|----|----|-----|----|
| M220 | 100 | 80 | 65 | 32 | 20 | 90 |

Enclosed Switches

sälzer



Product line
M200

Enclosed Switches

Insulated enclosure
100 x 80 x 85 mm

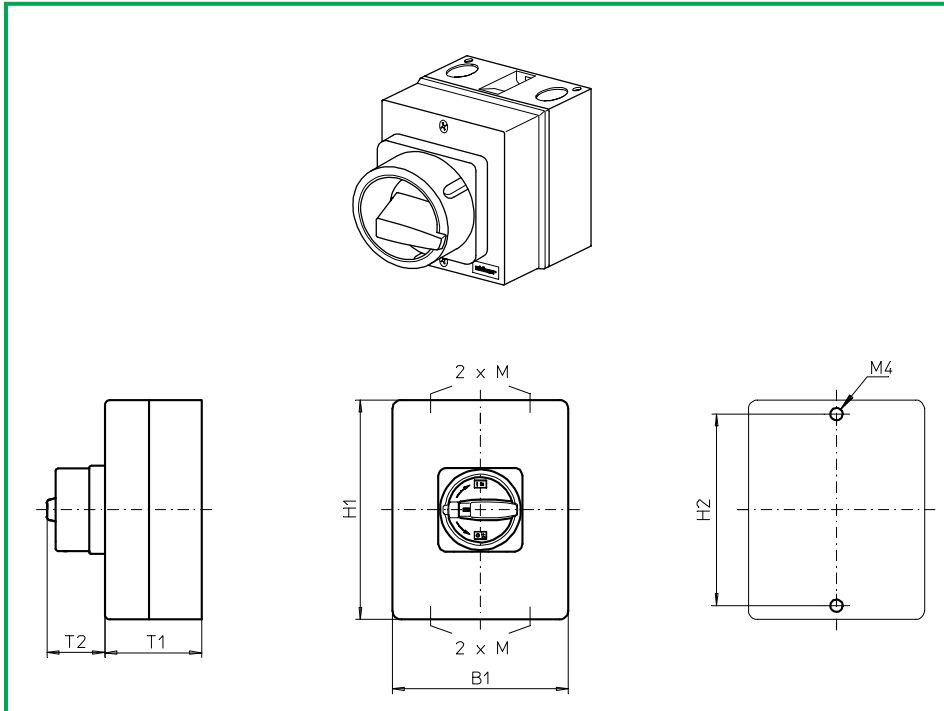
Cable entries
4 x M20

176V1 (IP66)
178V1 (IP66)

| Complete switch | Poles | Product line | Rated data (IEC 60947) | | | Order code number |
|--|-----------|--------------|---|--|------------|--------------------------------|
| | | | Operational current I _e AC-21A A | Operational power at 380–440 V AC-23A kW | AC-3 kW | |
| Rotary Cam Switches Switching angle 30°/45°/60°/90° Padlockable 12h | 5 ... 8 | M200 | 20 | 7,5 | 5,5 | M220 - 61 ... - 176V1 |
| Rotary Cam Switches Switching angle 90° 3 positions padlockable (09h/12h/03h) | 5 ... 8 | M200 | 20 | 7,5 | 5,5 | M220 - 61 ... - 178V1 |
| SMD modules for basic switch | | | | | | |
| Mounting form module for 176V1/ 178V1, 3 contact stages | | | M220 | | | BFE2 - EA |
| Mounting form module for 176V1/ 178V1, 4 contact stages | | | M220 | | | BFF2 - EA |
| Enclosure module, mounting form 176V1 | | | | | | PAM2 - 176V1 |
| Enclosure module, mounting form 178V1 | | | | | | PAM2 - 178V1 |
| Legend plate silver, enclosure module 176V1/ 178V1 | | | | | | FAS2 - (FA number) |
| Dimensions (mm) | | | | | | |
| Product line | H1 | B1 | T1 | T2 | 2xM | H2 |
| M220 | 100 | 80 | 85 | 32 | 20 | 90 |

Enclosed Switches

sälzer



Product line
M200

Enclosed Switches

Insulated enclosure
100 x 80 x 65 mm

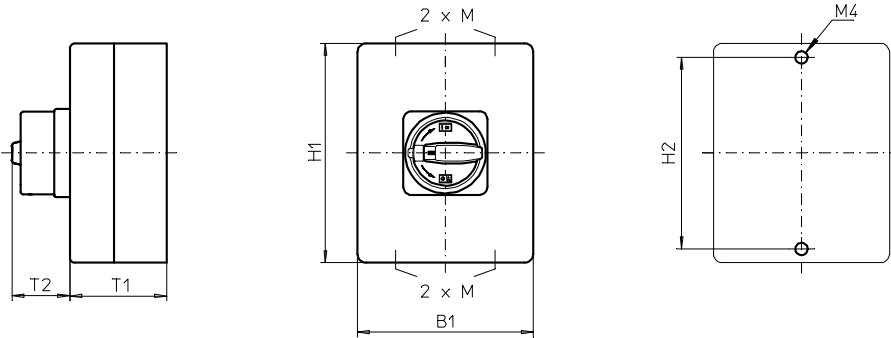
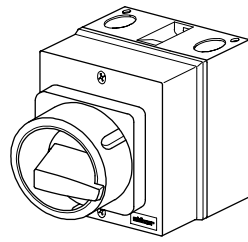
Cable entries
4 x M20

077M1 (IP66)
077M4 (IP66)

| Complete switch | Poles | Product line | Rated data (IEC 60947) | | | Order code number |
|---|---------|--------------|------------------------------------|--------------------------------|------------|------------------------------|
| | | | Operational current I _e | Operational power at 380–440 V | | |
| | | | AC-21A A | AC-23A kW | AC-3 kW | |
| Main Switches OFF position padlockable 09h | 1 ... 4 | M200 | 20 | 7,5 | 5,5 | M220 - 61 ... - 077M1 |
| Main/Emergency-Off Switches OFF position padlockable 09h | 1 ... 4 | M200 | 20 | 7,5 | 5,5 | M220 - 61 ... - 077M4 |
| SMD modules for basic switch | | | | | | |
| Mounting form module for 077M., 1 contact stage | | | M220 | | | BFE2 - EA |
| Mounting form module for 077M., 2 contact stages | | | M220 | | | BFF2 - EA |
| Enclosure module, mounting form 077M1 | | | | | | PAM2 - 077M1 |
| Enclosure module, mounting form 077M4 | | | | | | PAM2 - 077M4 |
| Dimensions (mm) | | | | | | |
| Product line | H1 | B1 | T1 | T2 | 2xM | H2 |
| M220 | 100 | 80 | 65 | 38 | 20 | 90 |

Enclosed Switches

sälzer



Product line
M200

Enclosed Switches

Insulated enclosure
100 x 80 x 85 mm

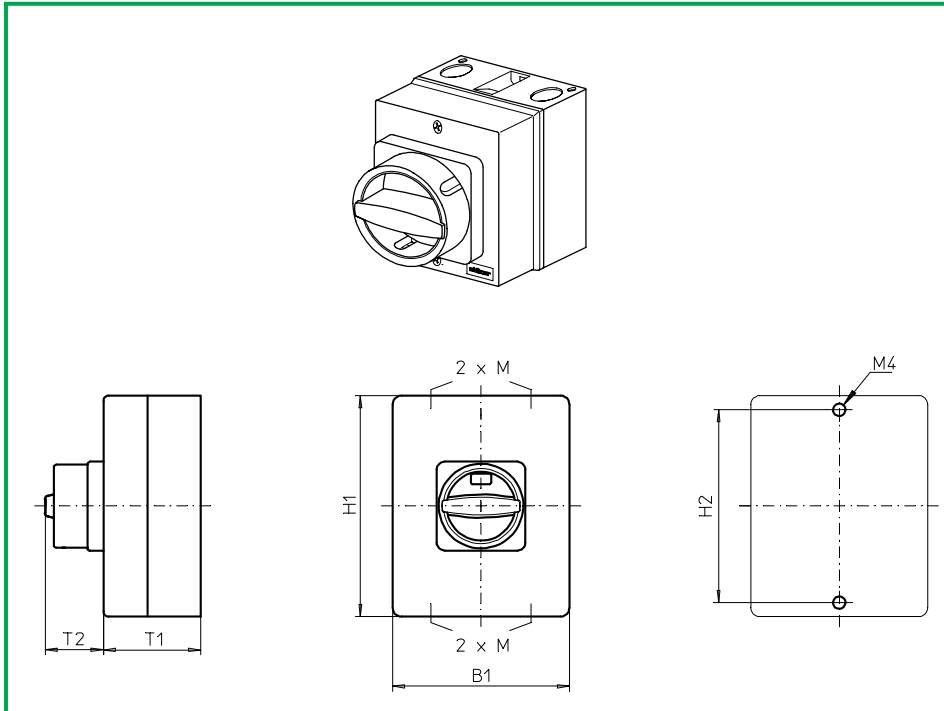
Cable entries
4 x M20

177M1 (IP66)
177M4 (IP66)

| Complete switch | Poles | Product line | Rated data (IEC 60947) | | | Order code number |
|---|-----------|--------------|------------------------------------|--------------------------------|------------|-----------------------|
| | | | Operational current I _e | Operational power at 380–440 V | | |
| | | | AC-21A A | AC-23A kW | AC-3 kW | |
| Main Switches OFF position padlockable 09h | 5 ... 8 | M200 | 20 | 7,5 | 5,5 | M220 - 61 ... - 177M1 |
| Main/Emergency-Off Switches OFF position padlockable 09h | 5 ... 8 | M200 | 20 | 7,5 | 5,5 | M220 - 61 ... - 177M4 |
| SMD modules for basic switch | | | | | | |
| Mounting form module for 177M., 3 contact stages | | | M220 | | | BFE2 - EA |
| Mounting form module for 177M., 4 contact stages | | | M220 | | | BFF2 - EA |
| Enclosure module, mounting form 177M1 | | | | | | PAM2 - 177M1 |
| Enclosure module, mounting form 177M4 | | | | | | PAM2 - 177M4 |
| Dimensions (mm) | | | | | | |
| Product line | H1 | B1 | T1 | T2 | 2xM | H2 |
| M220 | 100 | 80 | 85 | 38 | 20 | 90 |

Enclosed Switches

sälzer



Product line
M200

Enclosed Switches

Insulated enclosure
100 x 80 x 65 mm

Cable entries
4 x M20

077N1 (IP66)
077N4 (IP66)

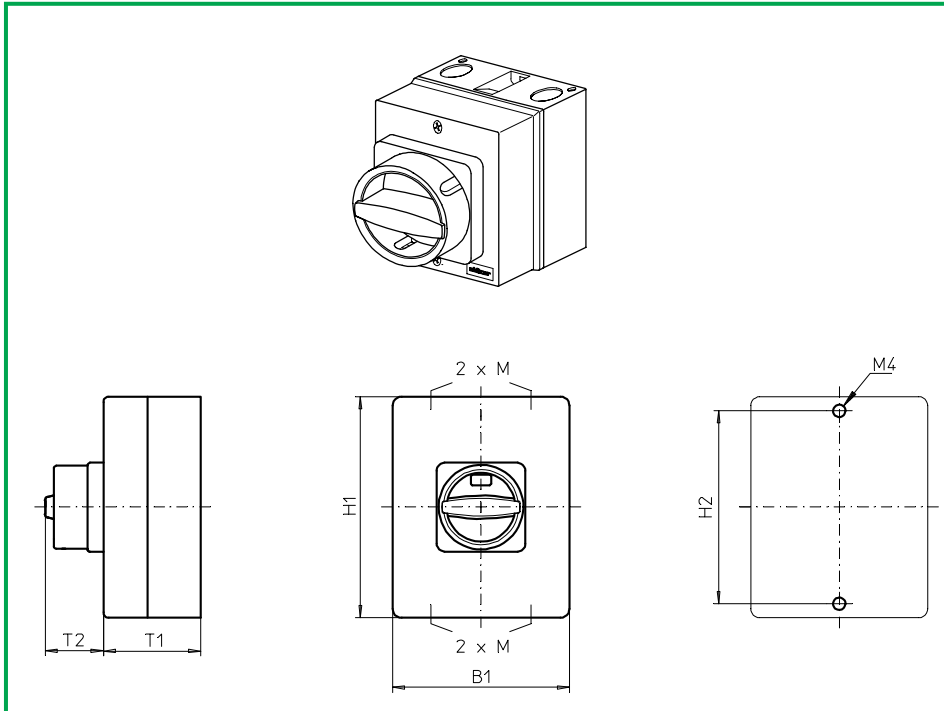
| Complete switch | Poles | Product line | Rated data (IEC 60947) | | | Order code number |
|---|---------|--------------|------------------------------------|--------------------------------|------------|------------------------------|
| | | | Operational current I _e | Operational power at 380–440 V | | |
| | | | AC-21A A | AC-23A kW | AC-3 kW | |
| Main Switches OFF position padlockable 09h | 1 ... 4 | M200 | 20 | 7,5 | 5,5 | M220 - 61 ... - 077N1 |
| Main/Emergency-Off Switches OFF position padlockable 09h | 1 ... 4 | M200 | 20 | 7,5 | 5,5 | M220 - 61 ... - 077N4 |

| SMD modules for basic switch | | | | | | |
|--|--|--|--|------|--|---------------------|
| Mounting form module for 077N., 1 contact stage | | | | M220 | | BFE2 - EA |
| Mounting form module for 077N., 2 contact stages | | | | M220 | | BFF2 - EA |
| Enclosure module, mounting form 077N1 | | | | | | PAM2 - 077N1 |
| Enclosure module, mounting form 077N4 | | | | | | PAM2 - 077N4 |

| Dimensions (mm) | | | | | | |
|-----------------|-----|----|----|----|-----|----|
| Product line | H1 | B1 | T1 | T2 | 2xM | H2 |
| M220 | 100 | 80 | 65 | 33 | 20 | 90 |

Enclosed Switches

sälzer



Product line
M200

Enclosed Switches

Insulated enclosure
100 x 80 x 85 mm

Cable entries
4 x M20

177N1 (IP66)
177N4 (IP66)

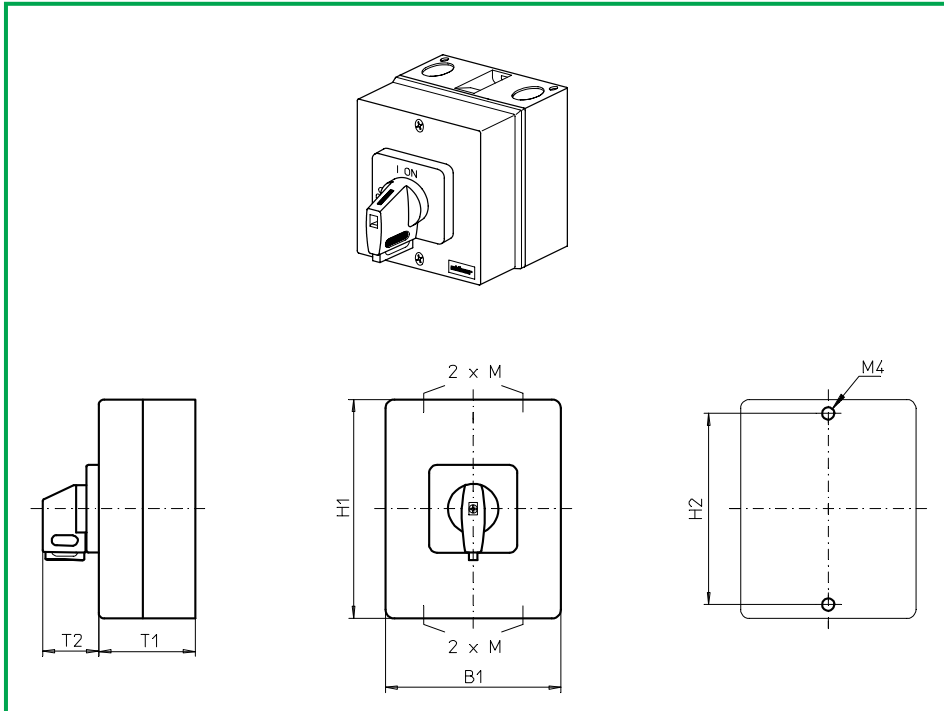
| Complete switch | Poles | Product line | Rated data (IEC 60947) | | | Order code number |
|---|---------|--------------|---------------------------|--------------------------------|------------|------------------------------|
| | | | Operational current I_e | Operational power at 380–440 V | | |
| | | | AC-21A A | AC-23A kW | AC-3 kW | |
| Main Switches OFF position padlockable 09h | 5 ... 8 | M200 | 20 | 7,5 | 5,5 | M220 - 61 ... - 177N1 |
| Main/Emergency-Off Switches OFF position padlockable 09h | 5 ... 8 | M200 | 20 | 7,5 | 5,5 | M220 - 61 ... - 177N4 |

| SMD modules for basic switch | | | | | | |
|--|--|--|--|------|--|---------------------|
| Mounting form module for 177N., 3 contact stages | | | | M220 | | BFE2 - EA |
| Mounting form module for 177N., 4 contact stages | | | | M220 | | BFF2 - EA |
| Enclosure module, mounting form 177N1 | | | | | | PAM2 - 177N1 |
| Enclosure module, mounting form 177N4 | | | | | | PAM2 - 177N4 |

| Dimensions (mm) | | | | | | |
|-----------------|-----|----|----|----|-----|----|
| Product line | H1 | B1 | T1 | T2 | 2xM | H2 |
| M220 | 100 | 80 | 85 | 33 | 20 | 90 |

Enclosed Switches

sälzer



Product line
M200

Enclosed Switches

Insulated enclosure
100 x 80 x 65 mm

Cable entries
4 x M20

077V1 (IP66)
077V4 (IP66)

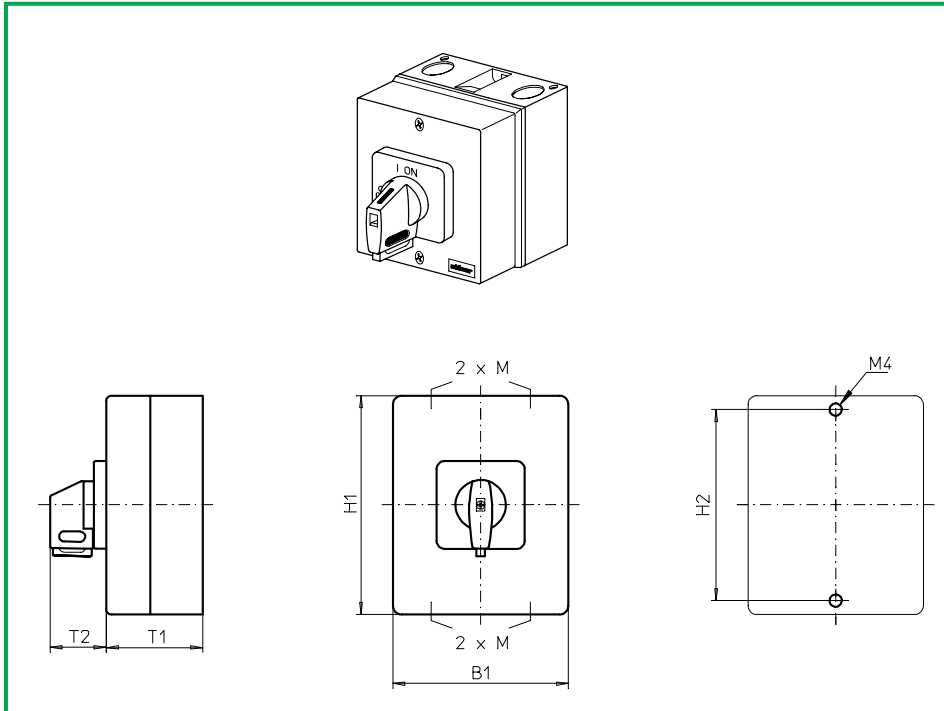
| Complete switch | Poles | Product line | Rated data (IEC 60947) | | | Order code number |
|---|---------|--------------|------------------------------------|--------------------------------|------------|------------------------------|
| | | | Operational current I _e | Operational power at 380–440 V | | |
| | | | AC-21A A | AC-23A kW | AC-3 kW | |
| Main Switches OFF position padlockable 09h | 1 ... 4 | M200 | 20 | 7,5 | 5,5 | M220 - 61 ... - 077V1 |
| Main/Emergency-Off Switches OFF position padlockable 09h | 1 ... 4 | M200 | 20 | 7,5 | 5,5 | M220 - 61 ... - 077V4 |

| SMD modules for basic switch | | | | | | |
|--|--|--|--|------|--|---------------------|
| Mounting form module for 077V., 1 contact stage | | | | M220 | | BFE2 - EA |
| Mounting form module for 077V., 2 contact stages | | | | M220 | | BFF2 - EA |
| Enclosure module, mounting form 077V1 | | | | | | PAM2 - 077V1 |
| Enclosure module, mounting form 077V4 | | | | | | PAM2 - 077V4 |
| Legend plate silver, enclosure module 077V1 | | | | | | FAS2 - 9078 |
| Legend plate yellow, enclosure module 077V4 | | | | | | FBS2 - 9078 |

| Dimensions (mm) | | | | | | | |
|-----------------|-----|----|----|----|-----|----|--|
| Product line | H1 | B1 | T1 | T2 | 2xM | H2 | |
| M220 | 100 | 80 | 65 | 32 | 20 | 90 | |

Enclosed Switches

sälzer



Product line
M200

Enclosed Switches

Insulated enclosure
100 x 80 x 85 mm

Cable entries
4 x M20

177V1 (IP66)
177V4 (IP66)

| Complete switch | Poles | Product line | Rated data (IEC 60947) | | | Order code number |
|---|---------|--------------|------------------------------------|--------------------------------|------------|------------------------------|
| | | | Operational current I _e | Operational power at 380–440 V | | |
| | | | AC-21A A | AC-23A kW | AC-3 kW | |
| Main Switches OFF position padlockable 09h | 5 ... 8 | M200 | 20 | 7,5 | 5,5 | M220 - 61 ... - 177V1 |
| Main/Emergency-Off Switches OFF position padlockable 09h | 5 ... 8 | M200 | 20 | 7,5 | 5,5 | M220 - 61 ... - 177V4 |

SMD modules for basic switch

Mounting form module for 177V., 3 contact stages
Mounting form module for 177V., 4 contact stages

M220
M220

BFE2 - EA
BFF2 - EA

Enclosure module, mounting form 177V1
Enclosure module, mounting form 177V4

PAM2 - 177V1
PAM2 - 177V4

Legend plate silver, enclosure module 177V1
Legend plate yellow, enclosure module 177V4

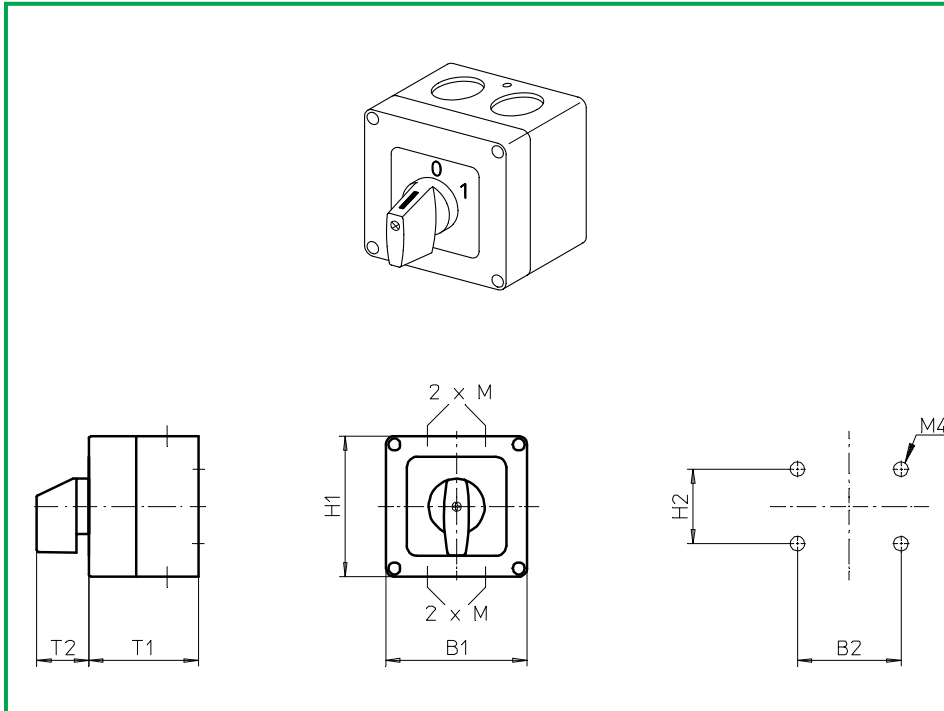
FAS2 - 9078
FBS2 - 9078

Dimensions (mm)

| Product line | H1 | B1 | T1 | T2 | 2xM | H2 |
|--------------|-----|----|----|----|-----|----|
| M220 | 100 | 80 | 85 | 32 | 20 | 90 |

Enclosed Switches

sälzer



Product line
M200

Enclosed Switches

Insulated enclosure
68 x 68 x 53 mm

Cable entries
4 x M16

107M1 (IP65)

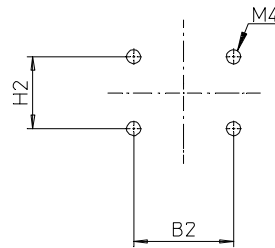
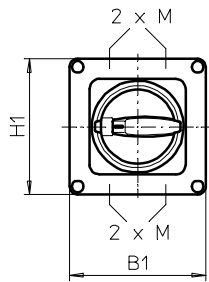
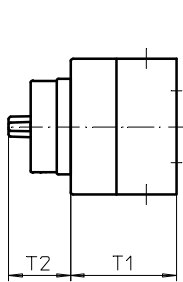
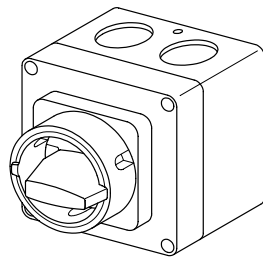
| Complete switch | Poles | Product line | Rated data (IEC 60947) | | | Order code number |
|--|---------|--------------|------------------------------------|--------------------------------|------------|------------------------------|
| | | | Operational current I _e | Operational power at 380–440 V | | |
| | | | AC-21A A | AC-23A kW | AC-3 kW | |
| Rotary Cam Switches Switching angle 30°/45°/60°/90° | 1 ... 4 | M200 | 20 | 7,5 | 5,5 | M220 - 61 ... - 107M1 |

| SMD modules for basic switch | | | | | | |
|---|--|--|--|------|--|--------------------------------|
| Enclosure module, mounting form 107M1 | | | | M220 | | PBM2 - 107M1 |
| Legend plate silver, enclosure module 107M1 | | | | | | FAS2 - (FA number) |

| Dimensions (mm) | | | | | | | |
|-----------------|----|----|----|----|-----|----|----|
| Product line | H1 | B1 | T1 | T2 | 2xM | H2 | B2 |
| M220 | 68 | 68 | 54 | 25 | 16 | 36 | 50 |

Enclosed Switches

sälzer



Product line
M200

Enclosed Switches

Insulated enclosure
68 x 68 x 53 mm

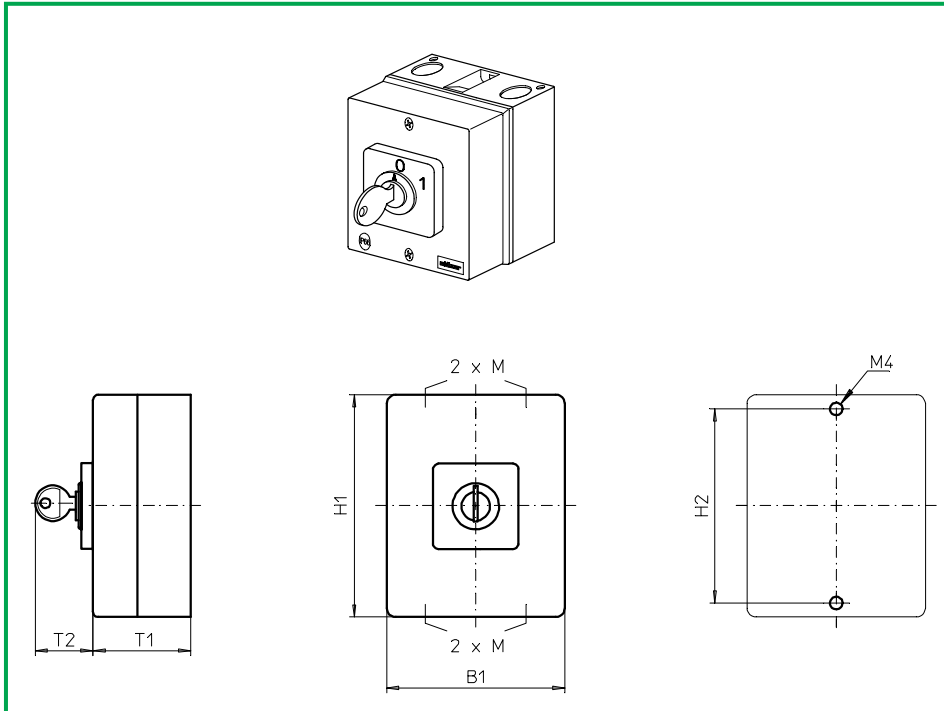
Cable entries
4 x M16

117M1 (IP65)
117M4 (IP65)

| Complete switch | Poles | Product line | Rated data (IEC 60947) | | | Order code number | |
|---|-----------|--------------|---|--|------------|------------------------------|-----------|
| | | | Operational current I _e AC-21A A | Operational power at 380–440 V AC-23A kW | AC-3 kW | | |
| Main Switches OFF position padlockable 09h | 1 ... 4 | M200 | 20 | 7,5 | 5,5 | M220 - 61 ... - 117M1 | |
| Main/Emergency-Off Switches OFF position padlockable 09h | 1 ... 4 | M200 | 20 | 7,5 | 5,5 | M220 - 61 ... - 117M4 | |
| SMD modules for basic switch | | | | | | | |
| Enclosure module for mounting form 117M1 | | | M220 | | | PBM2 - 117M1 | |
| Enclosure module for mounting form 117M4 | | | M220 | | | PBM2 - 117M4 | |
| Dimensions (mm) | | | | | | | |
| Product line | H1 | B1 | T1 | T2 | 2xM | H2 | B2 |
| M220 | 68 | 68 | 54 | 31 | 16 | 36 | 50 |

Enclosed Switches

sälzer



Product line
M200

Insulated Enclosure
Polycarbonate

100 x 80 x 65 mm (1 stage)

Cable entries

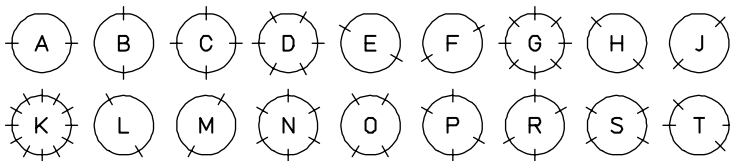
4 x M20

Key operated

K001. (IP40)

| Complete switch | Poles | Product line | Rated data (IEC 60947) | | | Order code number |
|---|---------|--------------|------------------------------------|--------------------------------|------------|------------------------------|
| | | | Operational current I _e | Operational power at 380–440 V | | |
| | | | AC-21A A | AC-23A kW | AC-3 kW | |
| Rotary Cam Switches Switching angle 30°/ 45°/ 60°/ 90° | 1 ... 2 | M200 | 20 | 7,5 | 5,5 | M220 - 61 ... - K001. |

The dot in the order code number of the complete mounting form/operator module must be replaced by the classification letter which identifies the key removable positions:



Lines indicate the key removable positions.

| SMD modules for basic switch | | | |
|--|------|--|--------------------------------|
| Enclosure module, mounting form K001. for 1 stage | M220 | | PAM2 - K |
| Operator module 48 x 48 mm, mounting form K001. Escutcheon black, Ronis lock C001, 2 keys | | | 2AS1 - 001. |
| Legend plate silver, operator module K001. | | | FAS2 - (FA number) |

| Dimensions (mm) | | | | | | | |
|-----------------|-----|----|----|----|-----|----|--|
| Product line | H1 | B1 | T1 | T2 | 2xM | H2 | |
| M220 | 100 | 80 | 65 | 33 | 20 | 90 | |

Enclosed Switches

sälzer

Product line
M200

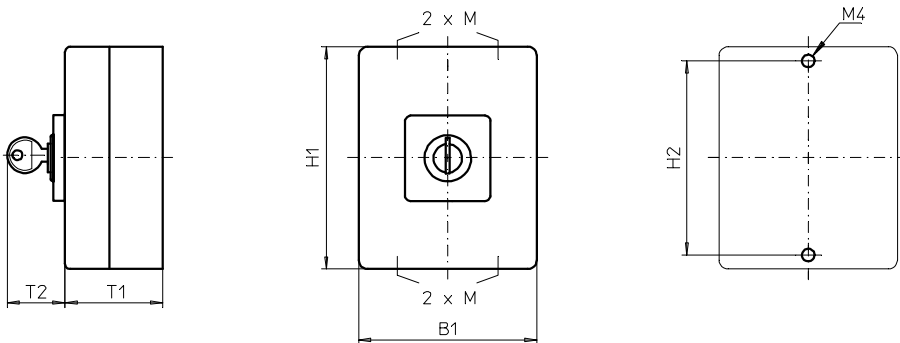
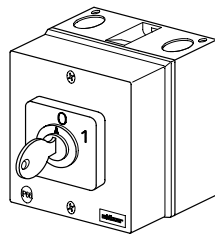
Insulated Enclosure
Polycarbonate

100 x 80 x 85 mm (1-3 stages)

Cable entries
4 x M20

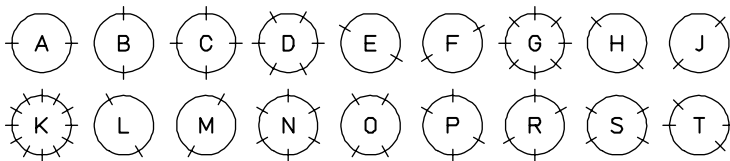
Key operated

E001. (IP40)



| Complete switch | Poles | Product line | Rated data (IEC 60947) | | | Order code number |
|---|---------|--------------|------------------------------------|--------------------------------|------------|------------------------------|
| | | | Operational current I _e | Operational power at 380–440 V | | |
| | | | AC-21A A | AC-23A kW | AC-3 kW | |
| Rotary Cam Switches Switching angle 30°/ 45°/ 60°/ 90° | 1 ... 6 | M200 | 20 | 7,5 | 5,5 | M220 - 61 ... - E001. |

The dot in the order code number of the complete mounting form/operator module must be replaced by the classification letter which identifies the key removable positions:



Lines indicate the key removable positions.

SMD modules for basic switch

Enclosure module, mounting form E001. for 1-3 stages

M220

PAM2 - E

Operator module 48 x 48 mm, mounting form E001.

2AS1 - 001.

Escutcheon black, Ronis lock C001, 2 keys

Legend plate silver, operator module E001.

FAS2 - (FA number)

Dimensions (mm)

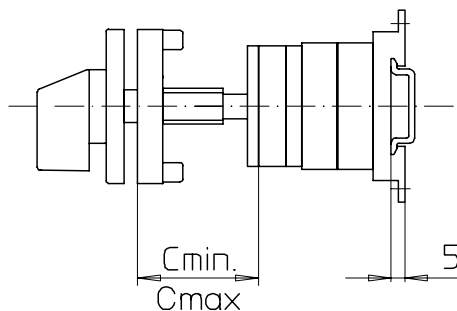
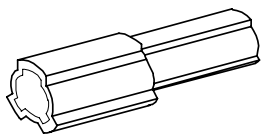
| Product line | H1 | B1 | T1 | T2 | 2xM | H2 |
|--------------|-----|----|----|----|-----|----|
| M220 | 100 | 80 | 85 | 33 | 20 | 90 |



Section D

| | Page | |
|---|-------------|-------------|
| | from | to |
| Shaft extensions | D1-1 | D1-2 |
| Additional top escutcheon plates | D2-1 | D2-2 |
| Assembly tool | D3-1 | D3-1 |

Originator: Sälzer Electric GmbH · Product Data Management (PDM) · 09306 Rochlitz (Germany)
 Copyright reserved by Sälzer Electric GmbH. This document replaces all previous issues.
 Valid until a new version is published. Changes and revisions reserved.



Product lines
M200 / T200

Base mounting switch

Door clutch

Modular shaft extension

Four hole mounting

Front

AVD2

Modular shaft extensions for use with door clutch

Dimensions C_{min} , C_{max}

| No. | C_{min} | C_{max} | Quantity | Order code number |
|-----|-----------|-----------|----------|-------------------|
| 0 | 42 mm | 59 mm | - | - |
| 1 | 60 mm | 84 mm | 1 | AVD2 |
| 2 | 85 mm | 109 mm | 2 | AVD2 |
| 3 | 110 mm | 134 mm | 3 | AVD2 |
| 4 | 135 mm | 159 mm | 4 | AVD2 |
| 5 | 160 mm | 184 mm | 5 | AVD2 |
| 6 | 185 mm | 209 mm | 6 | AVD2 |

Product lines M200 / T200

AVD2 is suitable to extend the shaft:

**48 x 48 mm
Base mounting**

031M1/ 031M4

032M1/ 032M4
032N1/ 032N4
032V1/ 032V4

037M1/ 037M4
037N1/ 037N4
037V1/ 037V4

041M1

046V1/ 047V1

047M1

**Base mounting
Snap on mounting**

231M1/ 231M4

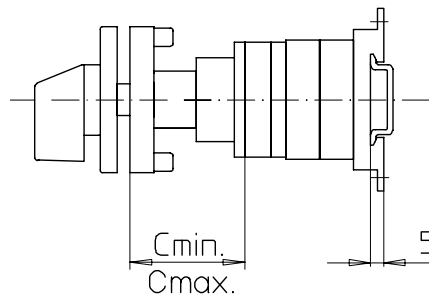
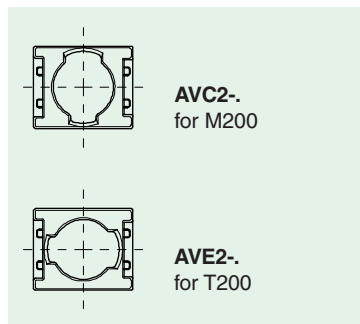
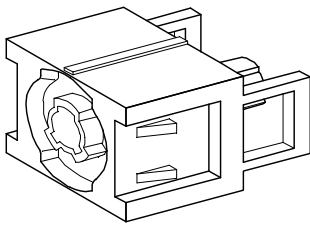
232M1/ 232M4
232N1/ 232N4
232V1/ 232V4

237M1/ 237M4
237N1/ 237N4
237V1/ 237V4

241M1

246V1/ 247V1

247M1



Product lines
M200 / T200

Base mounting switch

Door interlock
Modular shaft extension

Four hole mounting
Front

AVC2 - .
AVE2 - .

Modular shaft extensions for use with door interlock M200/T200

Dimensions C_{min} , C_{max}

| No. | C_{min} | C_{max} | Quantity | Order code number for M200 | Order code number for T200 |
|-----|-----------|-----------|----------|----------------------------|----------------------------|
| 0 | 42 mm | 57 mm | - | - | - |
| 1 | 64 mm | 82 mm | 1 | AVC2 - 1 | AVE2 - 1 |
| 2 | 89 mm | 107 mm | 1 | AVC2 - 2 | AVE2 - 2 |
| 3 | 114 mm | 132 mm | 1 | AVC2 - 3 | AVE2 - 3 |
| 4 | 139 mm | 157 mm | 1 | AVC2 - 4 | AVE2 - 4 |
| 5 | 164 mm | 182 mm | 1 | AVC2 - 5 | AVE2 - 5 |
| 6 | 189 mm | 207 mm | 1 | AVC2 - 6 | AVE2 - 6 |

Product lines M200 / T200

AVC2 - . / AVE2 - . is suitable to extend the shaft:

48 x 48 mm
Base mounting

034M1/ 034M4
034N1/ 034N4
034V1/ 034V4

038M1/ 038M4
038N1/ 038N4
038V1/ 038V4

042M1
042V1/ 043V1

048M1
048V1/ 049V1

135M1/ 135M4

Base mounting
Snap on mounting

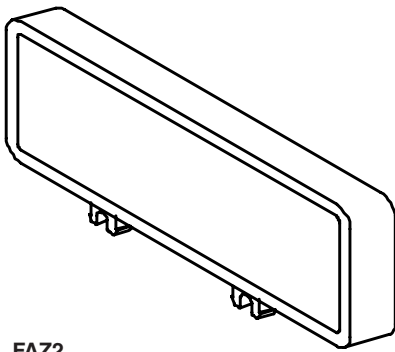
234M1/ 234M4
234N1/ 234N4
234V1/ 234V4

238M1/ 238M4
238N1/ 238N4
238V1/ 237V4

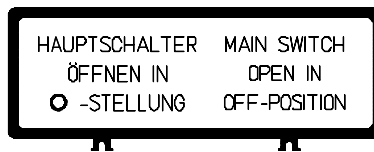
242M1
242V1/ 243V1

248M1
248V1/ 249V1

235M1/ 235M4



FAZ2
Escutcheon frame plate black
(without legend plate)



FAZ2 - 8041

Product lines
M200 / T200

Additional top
escutcheon plates

to put on escutcheons
and padlock devices
(also in connection with
enclosures)

FAZ2 -

Additional top escutcheon plates

with additional inscription to be clipped on the escutcheon and padlock devices

Escutcheon frame plate black, legend plate silver, without inscription (can be engraved)

Escutcheon frame plate black, legend plate silver, inscription FA 8...*

Escutcheon frame plate black, legend plate silver, special engraving

Escutcheon frame plate black, legend plate yellow, without inscription (can be engraved)

Escutcheon frame plate black, legend plate yellow, inscription FA 8...*

Escutcheon frame plate black, legend plate yellow, special engraving

Escutcheon frame plate black (without legend plate)

FAZ2 - 8000

FAZ2 - 8 . . .

FAZ2 - (special no.)

FBZ2 - 8000

FBZ2 - 8 . . .

FBZ2 - (special no.)

FAZ2

Legend plates

Legend plate silver without inscription (can be engraved)

Legend plate silver, inscription FA 8...*

Legend plate silver, special engraving

Legend plate yellow without inscription (can be engraved)

Legend plate yellow, inscription FA 8...*

Legend plate yellow, special engraving

FAS2 - 8000

FAS2 - 8 . . .

FAS2 - (special no.)

FBS2 - 8000

FBS2 - 8 . . .

FBS2 - (special no.)

* inscription FA 8... see next page

HAUPTSCHALTER MAIN SWITCH
 ÖFFNEN IN OPEN IN
 O-STELLUNG OFF-POSITION

Example: Legend plate silver **FAS2 - 8041**
 for top escutcheon plate FAZ2-8041

Product lines
M200 / T200

Legend plates
 for additional top
 escutcheon plates

FAS2 - 8 ...
FBS2 - 8 ...

Legend plates for additional top escutcheon plates

Legend plate silver, without inscription (can be engraved)
 Legend plate silver, inscription FA 8...
 Legend plate silver, special engraving

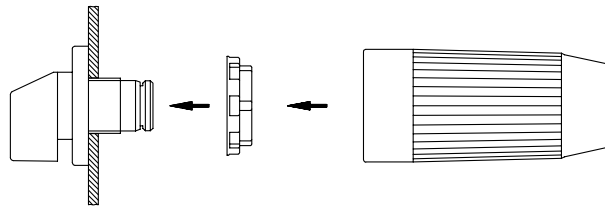
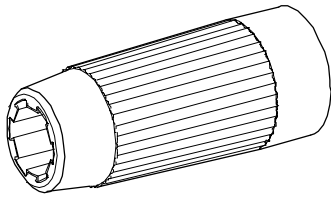
Legend plate yellow without inscription (can be engraved)
 Legend plate yellow, inscription FA 8...
 Legend plate yellow, special engraving

FAS2 - 8000
FAS2 - 8 ...
FAS2 - (special no.)

FBS2 - 8000
FBS2 - 8 ...
FBS2 - (special no.)

Legend plates, inscription FA 8...

| | | | | | |
|---------|---------|---------|---------|---------|---------|
| | | | | | |
| FA 8000 | FA 8001 | FA 8002 | FA 8003 | FA 8004 | FA 8005 |
| | | | | | |
| FA 8006 | FA 8007 | FA 8008 | FA 8009 | FA 8010 | FA 8011 |
| | | | | | |
| FA 8012 | FA 8013 | FA 8014 | FA 8015 | FA 8016 | FA 8017 |
| | | | | | |
| FA 8018 | FA 8019 | FA 8021 | FA 8023 | FA 8024 | FA 8025 |
| | | | | | |
| FA 8026 | FA 8027 | FA 8028 | FA 8029 | FA 8030 | FA 8031 |
| | | | | | |
| FA 8032 | FA 8033 | FA 8034 | FA 8035 | FA 8036 | FA 8037 |
| | | | | | |
| FA 8038 | FA 8039 | FA 8040 | FA 8041 | FA 8042 | FA 8044 |



Product lines
M200 / T200

Assembly tool

for switches with
Single hole mounting
ø 22,5 mm and ø 30,5 mm

218098

Assembly tool

Suitable for a **fast assembly of the single hole mounting** together with escutcheon / padlock device resp. door clutch / door interlock on mounting forms:

203V1
204M1, 204V4
205M1, 205M4
206M1, 206M4

206N1, 206N4
206V1, 206V4
208M1
209M1

213V1
214M1, 214V1
215V1, 215V4
215M1, 215M4

216M1, 216M4
216N1, 216N4
216V1, 216V4
218M1

219M1
226V1, 226V4



Faster deliveries through SMD

In order to ensure even greater flexibility for worldwide supply availability within 24h, Sälzer Electric has introduced the SMD (Sälzer Modular Design) system.

SMD modules are individually prefabricated and tested all-in-one modules which SMD Service holds in stock in sufficient quantities. From basic switch modules, mounting form modules and operator modules, SMD Service can assemble a complete switch requested by the customer and pack it ready for delivery in just a few actions.

– **back** –