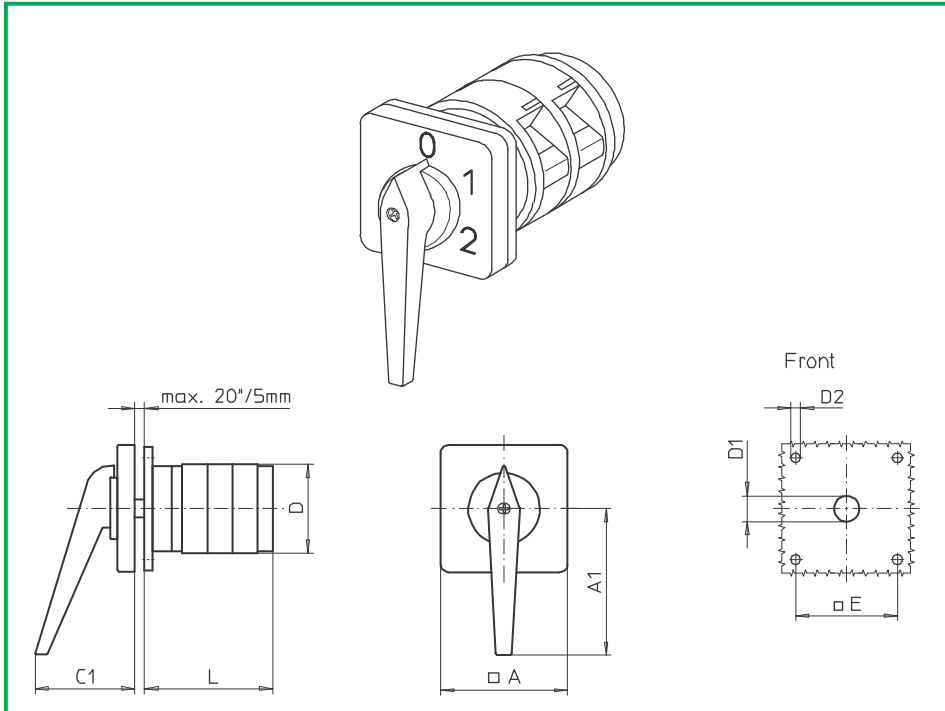


# Front mounting switch

# sälzer



**Product line**  
**S600**

**Front mounting switch**

**Four hole mounting**  
68 x 68 mm

**G-operator module**  
88 x 88 mm escutcheon

**003G1 (IP55)**

Complete switch	Poles	Product lines	Rated data (IEC 60947)			Order code number
			Operational current I <sub>e</sub>	Operational power at 380–440 V		
			AC-21A A	AC-23A kW	AC-3 kW	
Rotary Cam Switches Switching angle 30°/45°/60°/90°	1 ... 24	S600	80 100 160	45 55 75	30 37 45	<b>S606 - 61 ... - 003G1</b> <b>S608 - 61 ... - 003G1</b> <b>S612 - 61 ... - 003G1</b>

SMD modules for basic switch (A33)			
Mounting form module for 003G1		S600	<b>BFA6 - 003</b>
G-operator module 88 x 88 mm, mounting form 003G1			<b>6AG1</b>
Starting position of the handle 09h			
Escutcheon black, G-handle black			
G-operator module 88 x 88 mm, mounting form 003G1			<b>6BG1</b>
Starting position of the handle 12h			
Escutcheon black, G-handle black			
Legend plate silver, operator module 003G1			<b>FAS6 - .... (FA number)</b>

Dimensions (mm)														
Type	A	A1	C1	D	D1	D2	E	L with ... stages (max. 12)						each add. stage
								1	2	3	4	5	6	
S606	88	86	66	84	15	5,5	68	59	81	103	125	147	169	22
S608	88	86	66	88	15	5,5	68	66	92	118	144	170	196	26
S612	88	86	66	88	15	5,5	68	72	104	136	168	200	232	32