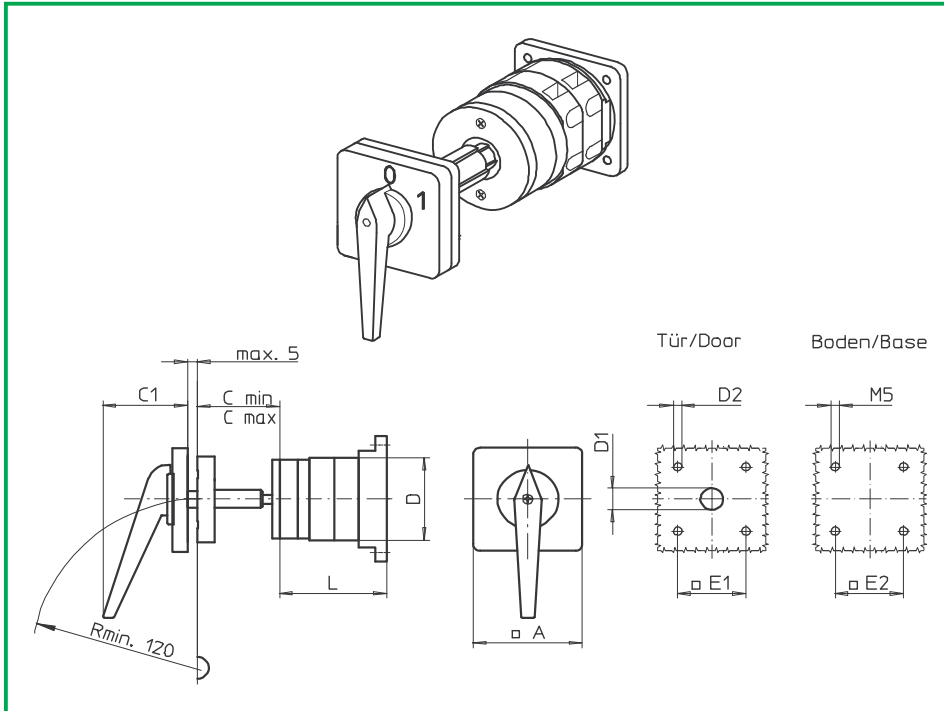


Base Mounting Switches

sälzer



Product line
S800

Base mounting switch

Door clutch

Four hole mounting

104 x 104 mm front
104 x 104 mm base

041G1 (IP55)

Complete switch	Poles	Product lines	Rated data (IEC 60947)			Order code number
			Operational current I _e	Operational power at 380–440 V		
			AC-21A A	AC-23A kW	AC-3 kW	
Rotary Cam Switches Switching angle 30°/45°/60°/90°	1 ... 24	S800	315	132	55	S825 - 61 ... - 041G1

SMD modules for basic switch (GA A45)						
Mounting form module for 041G1					S800	BFA8 - 041
G-operator module 130 x 130 mm, mounting form 041G1						8AG1
Starting position of the handle 09h						
Escutcheon black, handle black						
G-operator module 130 x 130 mm, mounting form 041G1						8BG1
Starting position of the handle 12h						
Escutcheon black, handle black						
Legend plate silver, operator module 041G1						FAS8 - (FA number)

Dimensions (mm)											L with ... stages (max. 12) each add.			
Type	A	Cmin	Cmax	C1	D*	D1	D2	E1	E2		1	2	3	stage
S825	130	75	102	74	210	20	5,5	104	104		90	126	162	36

* terminal lugs included