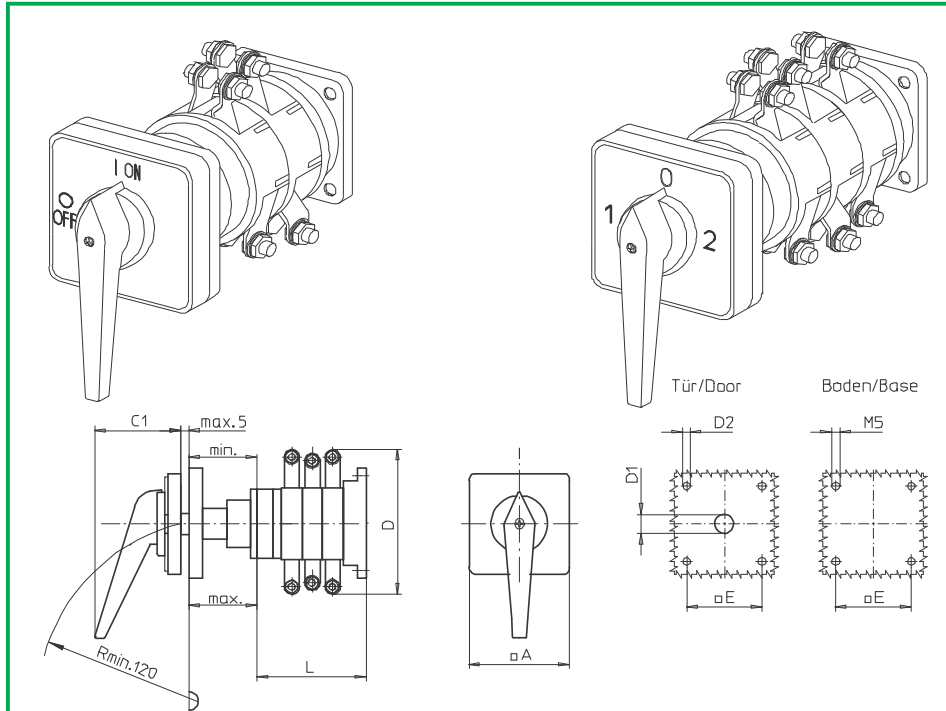


Base Mounting Switches

sälzer



**Product line
K616**

Base mounting switch

Door interlock

Four hole mounting

68 x 68 mm base
68 x 68 mm front

042G1 (IP55)

Complete Switch	Poles	Product lines	Rated Data (IEC 60947)			Order Code Number							
			Operational current I _e	Operational power at 380–440V									
			AC-21A A	AC-23A kW	AC-3 kW								
ON-OFF Switches Switching angle 90° Starting position of the handle 09h	3 ... 8	K616	160	75	45	K616 - 41 ... - 042G1							
Changeover with OFF Switching angle 90° Starting position of the handle 12h	3 ... 4	K616	160	75	45	K616 - 71 ... - 042G1							
SMD modules for basic switch		(GA A02)											
Mounting form module for 042G1			K616			BFA6 - 042 6AG1							
G-operator module 88 x 88 mm, mounting form 042G1 Escutcheon black, handle black; Starting position of the handle 09h						6BG1							
G-operator module 88 x 88 mm, mounting form 042G1 Escutcheon black, handle black; Starting position of the handle 12h						FAS6 - (FA number)							
Legend plate silver, operator module 042G1													
Dimensions (mm)													
Type	A	C1	D*	D1	D2	E	min.	max	L with ... stages				
K616	88	66	150	15	5,5	68	48	60	1	2	3	4	
									72	104	136	168	
Switching programmes													
41300, 41400, 41600, 41800													
71300, 71400													

* terminal lugs included