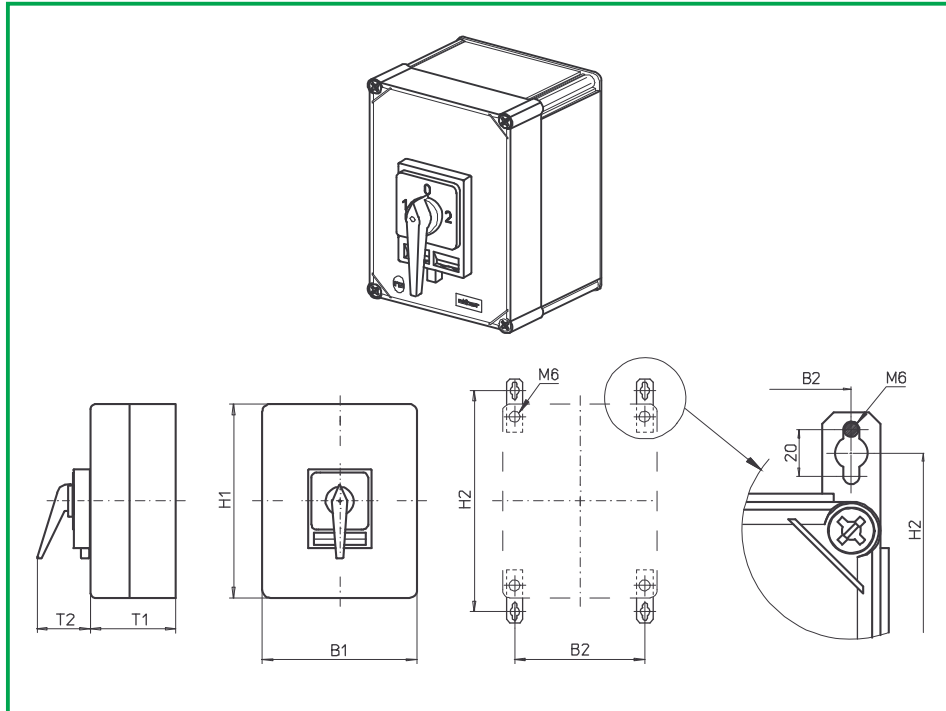


Enclosed Switches



Product line
H400-E

Enclosed switches

Insulated enclosure
440 x 320 x 180 mm

With cover interlock
in ON position

Cable entries
Gland plates

576H1 (IP66)
579H1 (IP66)

Complete switch	Poles	Product line	Rated data (IEC 60947)			Order code number
			Operational current I_e	Operational power at 380–440 V		
			AC-21A A	AC-23A kW	AC-3 kW	
Changeover with OFF Switching angle 90° OFF position padlockable 12h	3 ... 4	H400-E	63	22	18,5	H406 - 71 ... - 576H1
			80	30	22	H408 - 71 ... - 576H1
			100	37	30	H410 - 71 ... - 576H1
			125	45	37	H412 - 71 ... - 576H1
Changeover with OFF Switching angle 90° 3 positions padlockable (09h/ 12h/ 03h)	3 ... 4	H400-E	63	22	18,5	H406 - 71 ... - 579H1
			80	30	22	H408 - 71 ... - 579H1
			100	37	30	H410 - 71 ... - 579H1
			125	45	37	H412 - 71 ... - 579H1

SMD modules for basic switch A02		
Mounting form module for 576H1/579H1	H400-E	BFC4 - ED
Enclosure module, mounting form 576H1		PAH4 - 576H1
Enclosure module, mounting form 579H1		PAH4 - 579H1
Legend plate silver, enclosure module 576H1/579H1		FAS6 - 9 ... (FA number)
Mounting brackets are part of delivery capacity		

Dimensions (mm)						
Product line	H1	B1	T1	T2	H2	B2
H400-E	440	320	180	83	480	293