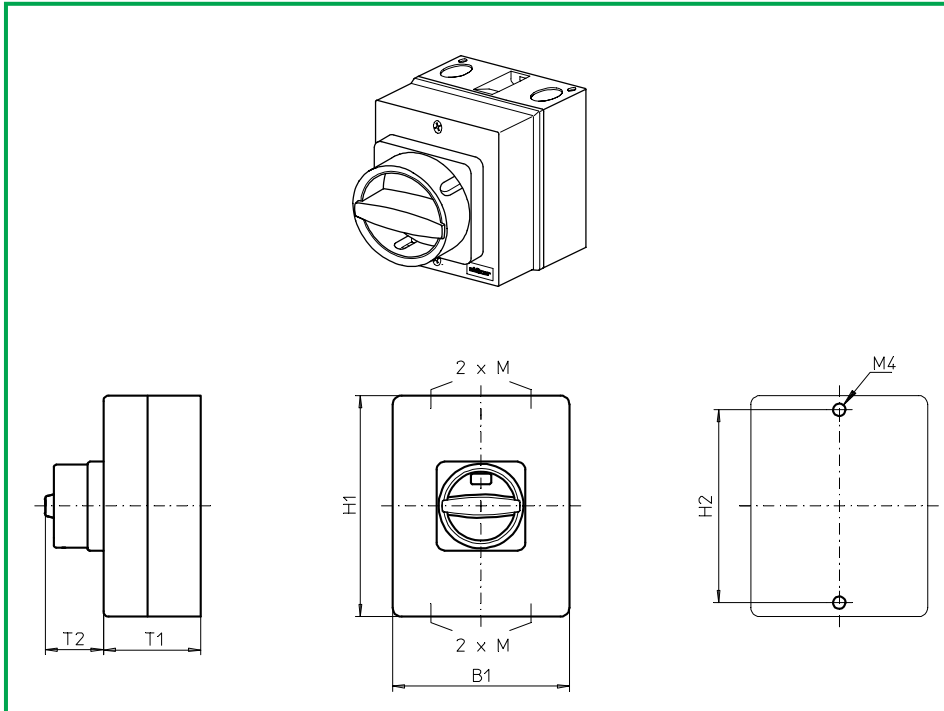


# Enclosed Switches

# sälzer



**Product line**  
**M200**

**Enclosed Switches**

**Insulated enclosure**  
100 x 80 x 65 mm

**Cable entries**  
4 x M20

**077N1 (IP66)**  
**077N4 (IP66)**

| Complete switch                                             | Poles   | Product line | Rated data (IEC 60947)             |                                |            | Order code number            |
|-------------------------------------------------------------|---------|--------------|------------------------------------|--------------------------------|------------|------------------------------|
|                                                             |         |              | Operational current I <sub>e</sub> | Operational power at 380–440 V |            |                              |
|                                                             |         |              | AC-21A<br>A                        | AC-23A<br>kW                   | AC-3<br>kW |                              |
| Main Switches<br>OFF position padlockable 09h               | 1 ... 4 | M200         | 20                                 | 7,5                            | 5,5        | <b>M220 - 61 ... - 077N1</b> |
| Main/Emergency-Off Switches<br>OFF position padlockable 09h | 1 ... 4 | M200         | 20                                 | 7,5                            | 5,5        | <b>M220 - 61 ... - 077N4</b> |

| SMD modules for basic switch                     |  |  |  |      |  |                     |
|--------------------------------------------------|--|--|--|------|--|---------------------|
| Mounting form module for 077N., 1 contact stage  |  |  |  | M220 |  | <b>BFE2 - EA</b>    |
| Mounting form module for 077N., 2 contact stages |  |  |  | M220 |  | <b>BFF2 - EA</b>    |
| Enclosure module, mounting form 077N1            |  |  |  |      |  | <b>PAM2 - 077N1</b> |
| Enclosure module, mounting form 077N4            |  |  |  |      |  | <b>PAM2 - 077N4</b> |

| Dimensions (mm) |     |    |    |    |     |    |
|-----------------|-----|----|----|----|-----|----|
| Product line    | H1  | B1 | T1 | T2 | 2xM | H2 |
| M220            | 100 | 80 | 65 | 33 | 20  | 90 |