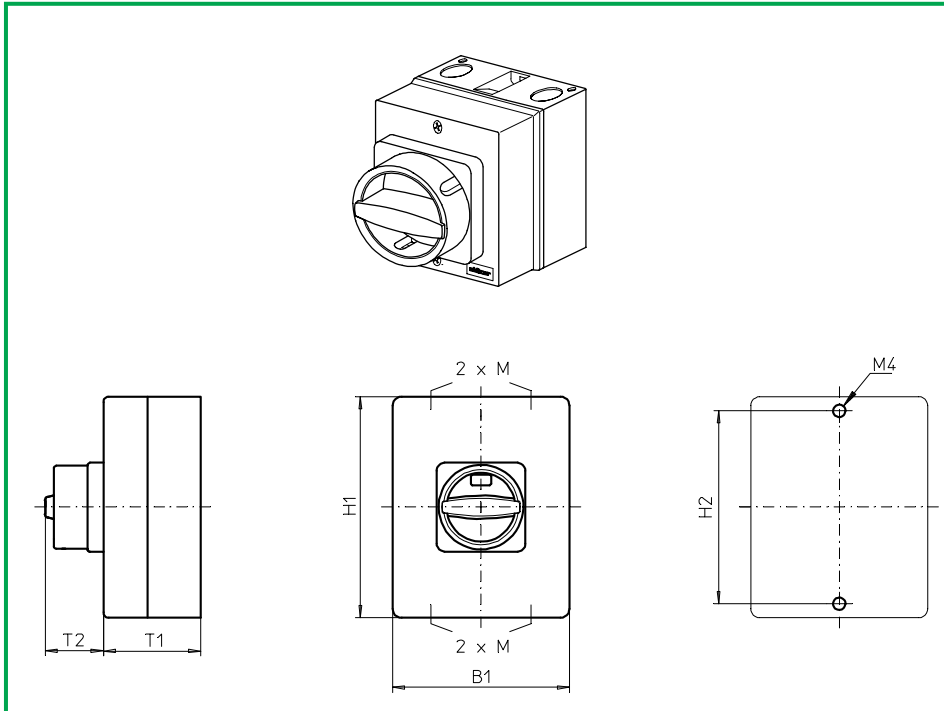


Enclosed Switches

sälzer



Product line
M200

Enclosed Switches

Insulated enclosure
100 x 80 x 85 mm

Cable entries
4 x M20

177N1 (IP66)
177N4 (IP66)

Complete switch	Poles	Product line	Rated data (IEC 60947)			Order code number
			Operational current I _e	Operational power at 380–440 V		
			AC-21A A	AC-23A kW	AC-3 kW	
Main Switches OFF position padlockable 09h	5 ... 8	M200	20	7,5	5,5	M220 - 61 ... - 177N1
Main/Emergency-Off Switches OFF position padlockable 09h	5 ... 8	M200	20	7,5	5,5	M220 - 61 ... - 177N4

SMD modules for basic switch						
Mounting form module for 177N., 3 contact stages				M220		BFE2 - EA
Mounting form module for 177N., 4 contact stages				M220		BFF2 - EA
Enclosure module, mounting form 177N1						PAM2 - 177N1
Enclosure module, mounting form 177N4						PAM2 - 177N4

Dimensions (mm)						
Product line	H1	B1	T1	T2	2xM	H2
M220	100	80	85	33	20	90