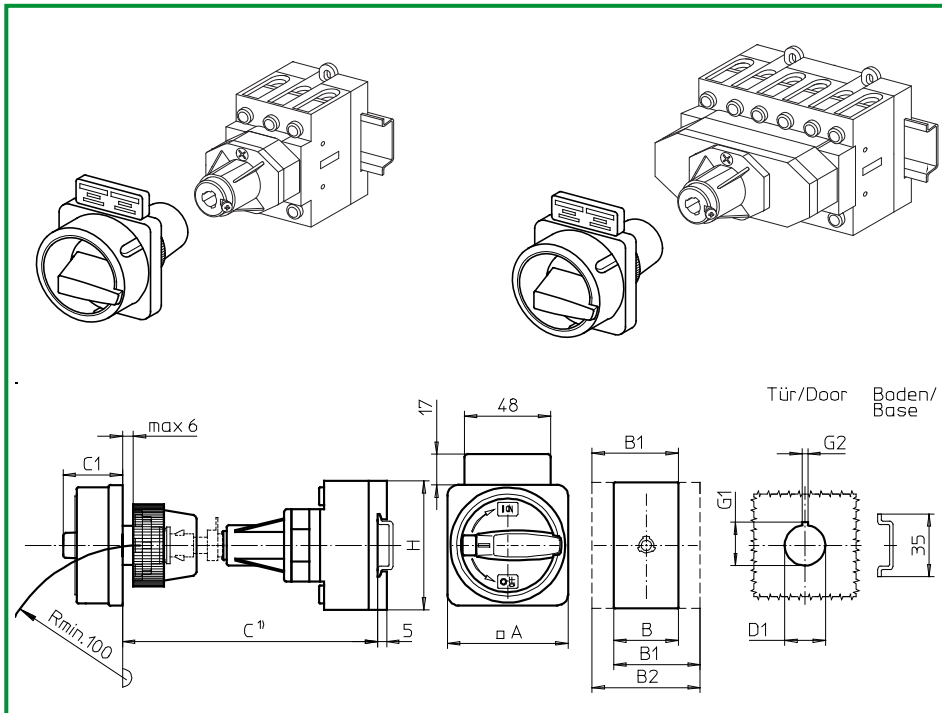


Base Mounting Switches

sälzer



**Product lines
H200-A/-B/-D**

Base mounting switch

Door interlock
Metal shaft extension
With shaft retaining screw

Single hole mounting
ø 22,5 mm front

261M1 (IP66)

261M4 (IP66)

Complete switch	Poles	Product lines	Rated data (IEC 60947)			Order code number
			Operational current I _e	Operational power at 380–440V		
			AC-21A A	AC-23A kW	AC-3 kW	
Main Switches OFF position padlockable 09h	3 ... 8	H200-A/-D	20	5,5	3,7	H216 - 41 ... - 261M1
			25	7,5	5,5	H220 - 41 ... - 261M1
			32	11	7,5	H226 - 41 ... - 261M1
			40	15	11	H233 - 41 ... - 261M1
			63	22	18,5	H263 - 41 ... - 261M1
Main/Emergency-Off Switches OFF position padlockable 09h	3 ... 8	H200-A/-D	20	5,5	3,7	H216 - 41 ... - 261M4
			25	7,5	5,5	H220 - 41 ... - 261M4
			32	11	7,5	H226 - 41 ... - 261M4
			40	15	11	H233 - 41 ... - 261M4
			63	22	18,5	H263 - 41 ... - 261M4
	3 ... 4	H200-B				

SMD modules for basic switch A02			
Mounting form module for 261M.		H200-A H200-B/-D	BFA2 - 261 BFB2 - 261
M-padlock device 67 × 67 mm, mounting form 261M1 Escutcheon black, padlockable handle black		H200-A/-B/-D	2GM1
M-padlock device 67 × 67 mm, mounting form 261M4 Escutcheon yellow, padlockable handle red			2GM4
Additional top escutcheon plate			FAZ2 - 8041

Dimensions (mm)									
Product lines	A	B	B1	B2	C1	D1	G1	G2	H
H200-A	67	36	48	60	38	22,5	24,2	3,2	70
H200-B	67	50	69	88	38	22,5	24,2	3,2	72
H200-D	67	72	84	96	38	22,5	24,2	3,2	70

C¹⁾ Internal depth, outside of door to top of DIN rail. Metal shaft is not included. Please order separately. See page B6-17.