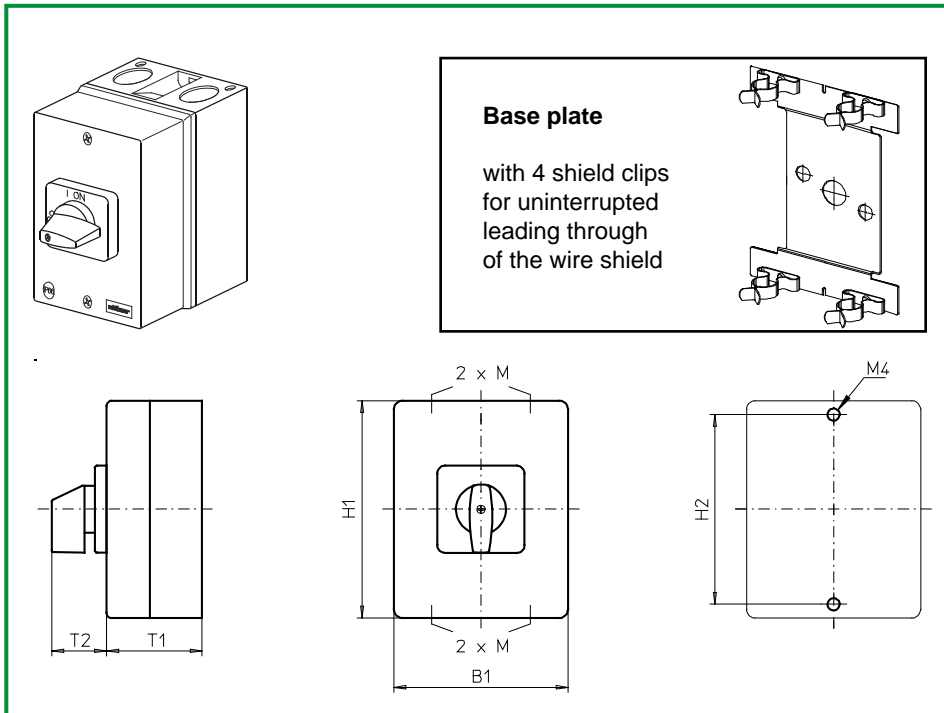


# Enclosed Switches



## Product lines H200-A/-B

**Insulated enclosure**  
175 x 115 x 100 mm

with cover interlock  
in ON position

with N/PE connection link

Uninterrupted leading  
through of the wire shield

## Cable entries

4 x M20/M25  
4 x SKL Shield clip  
for shield diameter 12–16 mm

## 716M1 (IP66)

Complete switch	Poles	Product lines	Rated data (IEC 60947)			Order code number
			Operational current I <sub>e</sub>	Operational power at 380–440V		
			AC-21A A	AC-23A kW	AC-3 kW	
ON-OFF Switches Switching angle 90°	3 ... 4	H200-A	20	5,5	3,7	<b>H216 - 41 ... - 716M1</b>
			25	7,5	5,5	<b>H220 - 41 ... - 716M1</b>
			32	11	7,5	<b>H226 - 41 ... - 716M1</b>
	3 ... 4	H200-B	40	15	11	<b>H233 - 41 ... - 716M1</b>
			63	22	18,5	<b>H263 - 41 ... - 716M1</b>
<b>SMD modules for basic switch A02</b>						
Mounting form module for 716M1			H200-A		<b>BFA2 - E7</b>	
Mounting form module for 716M1			H200-B		<b>BFB2 - E7</b>	
Enclosure module, mounting form 716M1			H200-A/-B		<b>PAH2 - 716M1</b>	
Legend plate silver, enclosure module 716M1			H200-A/-B		<b>FAS4 - 9...</b> (FA number)	
<b>Dimensions (mm)</b>						
Product lines	H1	B1	T1	T2	2xM	H2
H200-A	175	115	100	39	20/25	165
H200-B	175	115	100	39	20/25	165