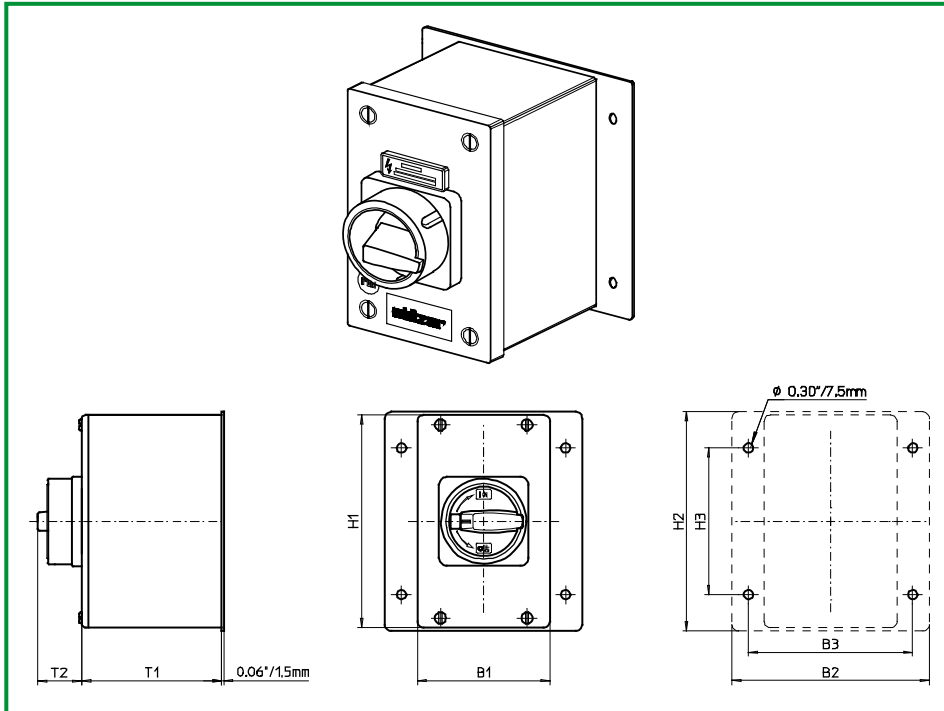


# Enclosed Switches



**Product line**  
**H200-A**

**Enclosed switch**

**Stainless steel enclosure polished**

160 × 100 × 105 mm

with cover interlock in ON position

with PE connection link without N connection link

**092M1** (IP66)

**092M4** (IP66)

Complete switch	Poles	Product lines	Rated data (IEC 60947)			Order code number
			Operational current I <sub>e</sub>	Operational power at 380–440V		
			AC-21A A	AC-23A kW	AC-3 kW	
Main Switches OFF position padlockable 09h	3 ... 4	H200-A	20	5,5	3,7	<b>H216 - 4.... - 092M1</b>
			25	7,5	5,5	<b>H220 - 4.... - 092M1</b>
			32	11	7,5	<b>H226 - 4.... - 092M1</b>
Main/Emergency-Off Switches OFF position padlockable 09h	3 ... 4	H200-A	20	5,5	3,7	<b>H216 - 4.... - 092M4</b>
			25	7,5	5,5	<b>H220 - 4.... - 092M4</b>
			32	11	7,5	<b>H226 - 4.... - 092M4</b>

SMD modules for basic switch A02			
Mounting form module for 092M1/092M4		H200-A	<b>BFA2 - E9</b>
Enclosure module, mounting form 092M1			<b>SBH2 - 092M1</b>
Enclosure module, mounting form 092M4			<b>SBH2 - 092M4</b>

Dimensions (mm)								
Product line	H1	B1	T1	T2	H2	H3	B2	B3
H200-A	160	100	105	38	165	110	149	123,5