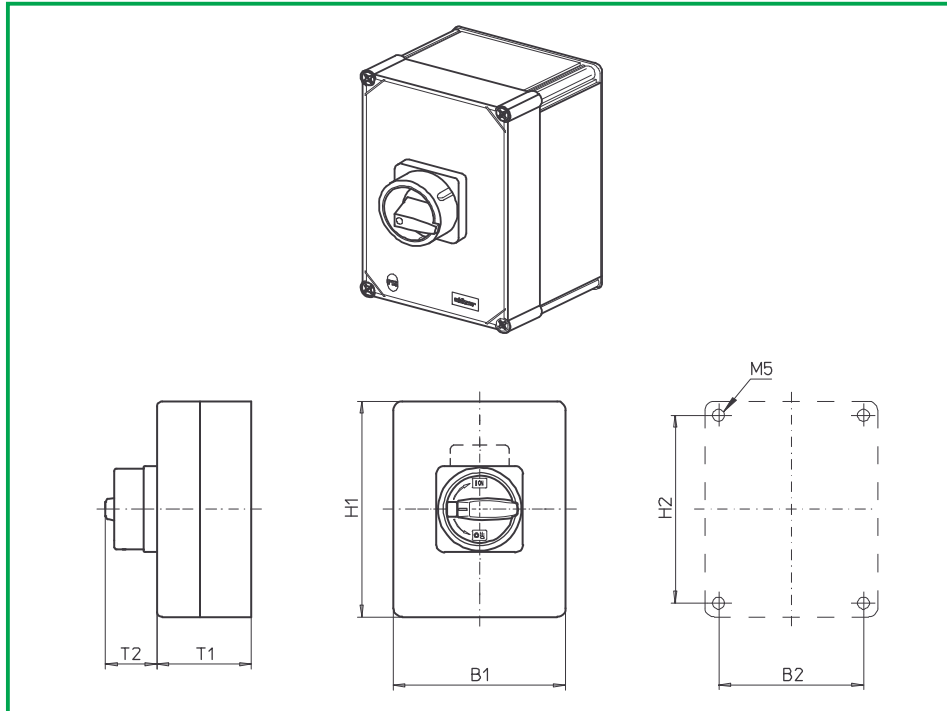


# Enclosed Switches



**Product line**  
**H400-A**

**Enclosed switches**

**Insulated enclosure**  
320 x 220 x 180 mm

With cover interlock  
in ON position

**Cable entries**  
Gland plates

**471M1 (IP66)**  
**471M4 (IP66)**

Complete switch	Poles	Product line	Rated data (IEC 60947)			Order code number
			Operational current $I_e$	Operational power at 380–440 V		
			AC-21A A	AC-23A kW	AC-3 kW	
Main Switches OFF position padlockable 09h	3 ... 4	H400-A	63	22	18,5	<b>H406 - 41 ... - 471M1</b>
			80	30	22	<b>H408 - 41 ... - 471M1</b>
			100	37	30	<b>H410 - 41 ... - 471M1</b>
			125	45	37	<b>H412 - 41 ... - 471M1</b>
Main/Emergency-Off Switches OFF position padlockable 09h	3 ... 4	H400-A	63	22	18,5	<b>H406 - 41 ... - 471M4</b>
			80	30	22	<b>H408 - 41 ... - 471M4</b>
			100	37	30	<b>H410 - 41 ... - 471M4</b>
			125	45	37	<b>H412 - 41 ... - 471M4</b>

SMD modules for basic switch A02		
Mounting form module (switch module ED)	H400-A	<b>BFA4 - ED</b>
Enclosure module, mounting form 471M1		<b>PAH4 - 471M1</b>
Enclosure module, mounting form 471M4		<b>PAH4 - 471M4</b>

Dimensions (mm)						
Product line	H1	B1	T1	T2	H2	B2
H400-A	320	220	180	50	293	193