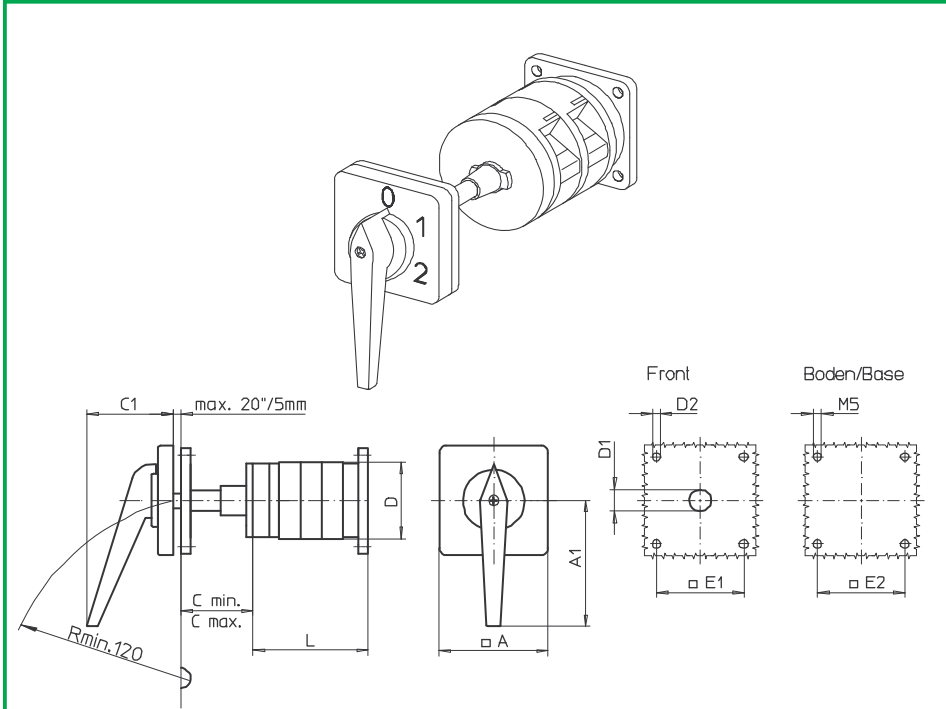


Base Mounting Switches

sälzer



Product line
S600

Base mounting switch

Door clutch

Base mounting

68 x 68 mm base

G-operator module

88 x 88 mm escutcheon

041G1 (IP55)

Complete switch	Poles	Product lines	Rated data (IEC 60947)			Order code number							
			Operational current I_e	Operational power at 380–440 V									
			AC-21A A	AC-23A kW	AC-3 kW								
Rotary Cam Switches	1 ... 24	S600	80	45	30	S606 - 61 ... - 041G1							
Switching angle 30°/45°/60°/90°			100	55	37	S608 - 61 ... - 041G1							
			160	75	45	S612 - 61 ... - 041G1							
SMD modules for basic switch (A33)													
Mounting form module for 041G1			S600			BFA6 - 041							
G-operator module 88 x 88 mm, mounting form 041G1						6AG1							
Starting position of the handle 09h													
Escutcheon black, handle black													
G-operator module 88 x 88 mm, mounting form 041G1						6BG1							
Starting position of the handle 12h													
Escutcheon black, handle black													
Legend plate silver, operator module 041G1						FAS6 - (FA number)							
Dimensions (mm)													
Type	A	Cmin	Cmax	C1	D	D1	D2	E1	E2	L with ... stages (max. 12)			
										1	2	3	each add. stage
S606	88	48	60	66	84	18	5,5	68	68	58	80	107	22
S608	88	48	60	66	88	18	5,5	68	68	65	91	117	26
S612	88	48	60	66	88	18	5,5	68	68	71	103	135	32