



## Mounting Form Table

**H200**  
**20A up to 63A**

### Section

|                               |          |
|-------------------------------|----------|
| <b>Mounting Switches</b>      | <b>A</b> |
| <b>Base Mounting Switches</b> | <b>B</b> |
| <b>Enclosed Switches</b>      | <b>C</b> |
| <b>Accessories</b>            | <b>D</b> |

Sälzer Electric GmbH  
Matthiasstraße 16  
57482 Wenden (Germany)  
[www.saelzer.com](http://www.saelzer.com)

Headquarters:  
Tel. +49 (0) 27 62 / 6 14-110  
Fax +49 (0) 27 62 / 6 14-100  
[sales@salzer.de](mailto:sales@salzer.de)

---

**Originator: Sälzer Electric GmbH · Product Data Management (PDM) · 09306 Rochlitz (Germany)**  
Copyright reserved by Sälzer Electric GmbH. This document replaces all previous issues.  
Valid until a new version is published. Changes and revisions reserved.

# Mounting Form Table



| Mtg. form | Pages       | Mtg. form | Pages       | Mtg. form | Pages       | Mtg. form | Pages       |
|-----------|-------------|-----------|-------------|-----------|-------------|-----------|-------------|
| 003M1     | A1-1 (5)    | 187M1     | C2-6 (286)  | 234N4     | B3-5 (68)   | 280V1     | B5-14 (99)  |
| 013M1     | A1-2 (6)    | 187M4     | C2-6 (286)  | 234V1     | B3-6 (69)   | 280V4     | B5-14 (99)  |
| 013V1     | A1-3 (7)    | 187N1     | C2-7 (287)  | 234V4     | B3-6 (69)   | 281M1     | B6-12 (114) |
| 014V1     | A1-3 (7)    | 187N4     | C2-7 (287)  | 235M1     | B3-7 (70)   | 281M4     | B6-12 (114) |
| 021M1     | B1-1 (46)   | 187V1     | C2-8 (288)  | 235M4     | B3-7 (70)   | 281N1     | B6-13 (115) |
| 026M1     | B1-2 (47)   | 187V4     | C2-8 (288)  | 237M1     | B2-8 (60)   | 281N4     | B6-13 (115) |
| 026N2     | B1-3 (48)   | 188M1     | C2-9 (289)  | 237M4     | B2-8 (60)   | 281V1     | B6-14 (116) |
| 026V1     | B1-5 (50)   | 188V1     | C2-10 (290) | 237N1     | B2-9 (61)   | 281V4     | B6-14 (116) |
| 026V4     | B1-5 (50)   | 190M1     | C3-25 (325) | 237N4     | B2-9 (61)   | 282M1     | B5-9 (94)   |
| 027V1     | B1-4 (49)   | 191M1     | C3-26 (326) | 237V1     | B2-10 (62)  | 283M1     | B6-9 (111)  |
| 028V1     | B1-4 (49)   | 192M1     | C3-27 (327) | 237V4     | B2-10 (62)  | 284V1     | B5-11 (96)  |
| 033M1     | A1-4 (8)    | 192M2     | C3-27 (327) | 238M1     | B3-8 (71)   | 285M1     | B6-10 (112) |
| 033M4     | A1-4 (8)    | 192N1     | C3-28 (328) | 238M4     | B3-8 (71)   | 285V1     | B6-11 (113) |
| 033N1     | A1-5 (9)    | 192N4     | C3-28 (328) | 238N1     | B3-9 (72)   | 286M1     | B5-15 (100) |
| 033N4     | A1-5 (9)    | 192V1     | C3-29 (329) | 238N4     | B3-9 (72)   | 286M4     | B5-15 (100) |
| 033V1     | A1-6 (10)   | 192V4     | C3-29 (329) | 238V1     | B3-10 (73)  | 287M1     | B6-15 (117) |
| 033V4     | A1-6 (10)   | 193M1     | C3-30 (330) | 238V4     | B3-10 (73)  | 287M4     | B6-15 (117) |
| 035M1     | A1-7 (11)   | 193V1     | C3-31 (331) | 241M1     | B2-1 (53)   | 288V1     | B5-16 (101) |
| 035M4     | A1-7 (11)   | 194M1     | C3-32 (332) | 242M1     | B3-1 (64)   | 288V4     | B5-16 (101) |
| 036M1     | A1-8 (12)   | 194M4     | C3-32 (332) | 246V1     | B2-3 (55)   | 289V1     | B6-16 (118) |
| 036M4     | A1-8 (12)   | 194N1     | C3-33 (333) | 247M1     | B2-2 (54)   | 289V4     | B6-16 (118) |
| 036N1     | A1-9 (13)   | 194N4     | C3-33 (333) | 247V1     | B2-3 (55)   | 290V1     | B5-11 (96)  |
| 036N4     | A1-9 (13)   | 194V1     | C3-34 (334) | 248M1     | B3-2 (65)   | 291V1     | B6-11 (113) |
| 036V1     | A1-10 (14)  | 194V4     | C3-34 (334) | 248M1     | B5-10 (95)  | 311M1     | B7-1 (120)  |
| 036V4     | A1-10 (14)  | 195V1     | C3-31 (331) | 248V1     | B3-3 (66)   | 311M4     | B7-1 (120)  |
| 076M1     | C1-1 (207)  | 196M1     | C3-5 (305)  | 249V1     | B3-3 (66)   | 311N1     | B7-2 (121)  |
| 077M1     | C1-2 (208)  | 196V1     | C3-10 (310) | 252M1     | B8-1 (140)  | 311N4     | B7-2 (121)  |
| 077M4     | C1-2 (208)  | 197M1     | C3-6 (306)  | 254M1     | B8-2 (141)  | 312M1     | B7-3 (122)  |
| 077N1     | C1-3 (209)  | 197M4     | C3-6 (306)  | 254V1     | B8-3 (142)  | 312M4     | B7-3 (122)  |
| 077N4     | C1-3 (209)  | 197N1     | C3-7 (307)  | 255M1     | B8-4 (143)  | 312N1     | B7-4 (123)  |
| 077V1     | C1-4 (210)  | 197N4     | C3-7 (307)  | 255M4     | B8-4 (143)  | 312N4     | B7-4 (123)  |
| 077V4     | C1-4 (210)  | 197V1     | C3-8 (308)  | 255N1     | B8-5 (144)  | 313M1     | B7-5 (124)  |
| 086M1     | C2-1 (281)  | 197V4     | C3-8 (308)  | 255N4     | B8-5 (144)  | 313M4     | B7-5 (124)  |
| 087M1     | C2-2 (282)  | 198M1     | C3-9 (309)  | 255V1     | B8-6 (145)  | 313N1     | B7-6 (125)  |
| 087M4     | C2-2 (282)  | 198V1     | C3-10 (310) | 255V4     | B8-6 (145)  | 313N4     | B7-6 (125)  |
| 087N1     | C2-3 (283)  | 203V1     | A3-3 (30)   | 256M1     | B8-7 (146)  | 314M1     | B7-7 (126)  |
| 087N4     | C2-3 (283)  | 204M1     | A3-2 (29)   | 256M4     | B8-7 (146)  | 314M4     | B7-7 (126)  |
| 087V1     | C2-4 (284)  | 204V1     | A3-3 (30)   | 257M1     | B8-8 (147)  | 314N1     | B7-8 (127)  |
| 087V4     | C2-4 (284)  | 205M1     | A2-7 (25)   | 257M4     | B8-8 (147)  | 314N4     | B7-8 (127)  |
| 090M1     | C3-21 (321) | 205M4     | A2-7 (25)   | 257N1     | B8-9 (148)  | 315M1     | B7-9 (128)  |
| 092M1     | C3-22 (322) | 206M1     | A2-4 (22)   | 257N4     | B8-9 (148)  | 315M4     | B7-9 (128)  |
| 092M4     | C3-22 (322) | 206M4     | A2-4 (22)   | 257V1     | B8-10 (149) | 315N1     | B7-10 (129) |
| 092N1     | C3-23 (323) | 206N1     | A2-5 (23)   | 257V4     | B8-10 (149) | 315N4     | B7-10 (129) |
| 092N4     | C3-23 (323) | 206N4     | A2-5 (23)   | 258V1     | B8-3 (142)  | 316M1     | B7-11 (130) |
| 092V1     | C3-24 (324) | 206V1     | A2-6 (24)   | 260M1     | B5-4 (89)   | 316M4     | B7-11 (130) |
| 092V4     | C3-24 (324) | 206V4     | A2-6 (24)   | 260M4     | B5-4 (89)   | 316N1     | B7-12 (131) |
| 096M1     | C3-1 (301)  | 208M1     | A3-9 (36)   | 260N1     | B5-5 (90)   | 316N4     | B7-12 (131) |
| 097M1     | C3-2 (302)  | 209M1     | A3-1 (28)   | 260N4     | B5-5 (90)   | 317M1     | B7-13 (132) |
| 097M4     | C3-2 (302)  | 213V1     | A2-3 (21)   | 260V1     | B5-6 (91)   | 317M4     | B7-13 (132) |
| 097N1     | C3-3 (303)  | 214M1     | A2-2 (20)   | 260V4     | B5-6 (91)   | 317N1     | B7-14 (133) |
| 097N4     | C3-3 (303)  | 214V1     | A2-3 (21)   | 261M1     | B6-4 (106)  | 317N4     | B7-14 (133) |
| 097V1     | C3-4 (304)  | 215M1     | A3-7 (34)   | 261M4     | B6-4 (106)  | 318M1     | B7-15 (134) |
| 097V4     | C3-4 (304)  | 215M4     | A3-7 (34)   | 261N1     | B6-5 (107)  | 318M4     | B7-15 (134) |
| 103M1     | A1-13 (17)  | 215V1     | A3-6 (33)   | 261N4     | B6-5 (107)  | 318N1     | B7-16 (135) |
| 113M1     | A1-14 (18)  | 215V4     | A3-6 (33)   | 261V1     | B6-6 (108)  | 318N4     | B7-16 (135) |
| 126M1     | B1-6 (51)   | 216M1     | A3-4 (31)   | 261V4     | B6-6 (108)  | 319M1     | B7-17 (136) |
| 126V1     | B1-7 (52)   | 216M4     | A3-4 (31)   | 262M1     | B5-1 (86)   | 319M4     | B7-17 (136) |
| 126V4     | B1-7 (52)   | 216N1     | A3-5 (32)   | 263M1     | B6-1 (103)  | 319N1     | B7-18 (137) |
| 133M1     | A4-2 (38)   | 216N4     | A3-5 (32)   | 264M1     | B5-2 (87)   | 319N4     | B7-18 (137) |
| 133M4     | A4-2 (38)   | 216V1     | A3-8 (35)   | 264V1     | B5-3 (88)   | 320M1     | B7-19 (138) |
| 133N1     | A4-3 (39)   | 216V4     | A3-8 (35)   | 265M1     | B6-2 (104)  | 320M4     | B7-19 (138) |
| 133N4     | A4-3 (39)   | 218M1     | A2-9 (27)   | 265V1     | B6-3 (105)  | 320N1     | B7-20 (139) |
| 133V1     | A4-4 (40)   | 219M1     | A2-1 (19)   | 266M1     | B5-7 (92)   | 320N4     | B7-20 (139) |
| 133V4     | A4-4 (40)   | 226V1     | A2-8 (26)   | 266M4     | B5-7 (92)   | 381D1     | B11-1 (202) |
| 136M1     | A1-11 (15)  | 226V4     | A2-8 (26)   | 267M1     | B6-7 (109)  | 381D4     | B11-1 (202) |
| 136M4     | A1-11 (15)  | 231M1     | B2-7 (59)   | 267M4     | B6-7 (109)  | 386D1     | B11-2 (203) |
| 136N1     | A1-12 (16)  | 231M4     | B2-7 (59)   | 268V1     | B5-8 (93)   | 386D4     | B11-2 (203) |
| 136N4     | A1-12 (16)  | 232M1     | B2-4 (56)   | 268V4     | B5-8 (93)   | 431M1     | B8-17 (156) |
| 153M1     | A4-6 (42)   | 232M4     | B2-4 (56)   | 269V1     | B6-8 (110)  | 431M4     | B8-17 (156) |
| 153M4     | A4-6 (42)   | 232N1     | B2-5 (57)   | 269V4     | B6-8 (110)  | 432B1     | B8-16 (155) |
| 153N1     | A4-7 (43)   | 232N4     | B2-5 (57)   | 270V1     | B5-3 (88)   | 432M1     | B8-14 (153) |
| 153N4     | A4-7 (43)   | 232V1     | B2-6 (58)   | 271V1     | B6-3 (105)  | 432M4     | B8-14 (153) |
| 153V1     | A4-8 (44)   | 232V4     | B2-6 (58)   | 280M1     | B5-12 (97)  | 432N1     | B8-15 (154) |
| 153V4     | A4-8 (44)   | 234M1     | B3-4 (67)   | 280M4     | B5-12 (97)  | 432N4     | B8-15 (154) |
| 186M1     | C2-5 (285)  | 234M4     | B3-4 (67)   | 280N1     | B5-13 (98)  | 432V4     | B8-16 (155) |
| 186V1     | C2-10 (290) | 234N1     | B3-5 (68)   | 280N4     | B5-13 (98)  | 435M1     | B9-17 (177) |

The red coloured mounting forms were added to the Manual H200 Release 2.3.

# Mounting Form Table



| Mtg. form | Pages        | Mtg. form | Pages        | Mtg. form | Pages       | Mtg. form  | Pages       |
|-----------|--------------|-----------|--------------|-----------|-------------|------------|-------------|
| 435M4     | B9-17 (177)  | 491M4     | B10-11 (192) | 700N4     | C1-7 (213)  | 742V1      | C1-68 (274) |
| 437M1     | B8-18 (157)  | 491N1     | B10-12 (193) | 700V1     | C1-8 (214)  | 743V1      | C1-68 (274) |
| 437M4     | B8-18 (157)  | 491N4     | B10-12 (193) | 700V4     | C1-8 (214)  | 750M1      | C1-27 (233) |
| 437N1     | B8-19 (158)  | 492M1     | B10-13 (194) | 701M1     | C1-5 (211)  | 750M4      | C1-27 (233) |
| 437N4     | B8-19 (158)  | 492M4     | B10-13 (194) | 710M1     | C1-10 (216) | 750M6      | C1-28 (234) |
| 437V1     | B8-20 (159)  | 492N1     | B10-14 (195) | 710M4     | C1-10 (216) | 750N1      | C1-29 (235) |
| 437V4     | B8-20 (159)  | 492N4     | B10-14 (195) | 710N1     | C1-11 (217) | 750N4      | C1-29 (235) |
| 441M1     | B8-11 (150)  | 493M1     | B10-15 (196) | 710N4     | C1-11 (217) | 750N6      | C1-30 (236) |
| 446V1     | B8-13 (152)  | 493M4     | B10-15 (196) | 710V1     | C1-12 (218) | 750V1      | C1-31 (237) |
| 447M1     | B8-12 (151)  | 493N1     | B10-16 (197) | 710V4     | C1-12 (218) | 750V4      | C1-31 (237) |
| 447V1     | B8-13 (152)  | 493N4     | B10-16 (197) | 711M1     | C1-9 (215)  | 755M1      | C1-32 (238) |
| 449V1     | B9-13 (173)  | 494M1     | B10-17 (198) | 715M1     | C1-14 (220) | 755M4      | C1-32 (238) |
| 452M1     | B9-1 (161)   | 494M4     | B10-17 (198) | 715M4     | C1-14 (220) | 755M6      | C1-33 (239) |
| 454M1     | B9-2 (162)   | 494N1     | B10-18 (199) | 715N1     | C1-15 (221) | 755N1      | C1-34 (240) |
| 454V1     | B9-3 (163)   | 494N4     | B10-18 (199) | 715N4     | C1-15 (221) | 755N4      | C1-34 (240) |
| 455M1     | B9-4 (164)   | 495M1     | B10-19 (200) | 715V1     | C1-16 (222) | 755N6      | C1-35 (241) |
| 455M4     | B9-4 (164)   | 495M4     | B10-19 (200) | 715V4     | C1-16 (222) | 755V1      | C1-36 (242) |
| 455N1     | B9-5 (165)   | 495N1     | B10-20 (201) | 716M1     | C1-13 (219) | 755V4      | C1-36 (242) |
| 455N4     | B9-5 (165)   | 495N4     | B10-20 (201) | 720M1     | C1-18 (224) | 770M1      | C1-70 (276) |
| 455V1     | B9-6 (166)   | 503M1     | A4-1 (37)    | 720M4     | C1-18 (224) | 770M4      | C1-70 (276) |
| 455V4     | B9-6 (166)   | 523M1     | A4-5 (41)    | 720N1     | C1-19 (225) | 770N1      | C1-71 (277) |
| 456M1     | B9-7 (167)   | 534M1     | B4-3 (77)    | 720N4     | C1-19 (225) | 770N4      | C1-71 (277) |
| 456M4     | B9-7 (167)   | 534M4     | B4-4 (78)    | 720V1     | C1-20 (226) | 770V1      | C1-72 (278) |
| 457M1     | B9-8 (168)   | 534N1     | B4-4 (78)    | 720V4     | C1-20 (226) | 770V4      | C1-72 (278) |
| 457M4     | B9-8 (168)   | 534N4     | B4-5 (79)    | 721M1     | C1-17 (223) | 771M1      | C1-69 (275) |
| 457N1     | B9-9 (169)   | 534V1     | B4-5 (79)    | 722M1     | C1-21 (227) | 772M1      | C1-73 (279) |
| 457N4     | B9-9 (169)   | 534V4     | B4-6 (80)    | 725M1     | C1-23 (229) | 772V1      | C1-74 (280) |
| 457V1     | B9-10 (170)  | 535M1     | B4-6 (80)    | 725M4     | C1-23 (229) | 773V1      | C1-74 (280) |
| 457V4     | B9-10 (170)  | 535M4     | B4-7 (81)    | 725N1     | C1-24 (230) | AVA8-...   | B5-17 (102) |
| 458V1     | B9-3 (163)   | 538M1     | B4-7 (81)    | 725N4     | C1-24 (230) | AVA8-...   | B6-17 (119) |
| 476M1     | C1-37 (243)  | 538M4     | B4-8 (82)    | 725V1     | C1-25 (231) | AVA8-...   | D1-3 (341)  |
| 476V1     | C1-41 (247)  | 538N1     | B4-8 (82)    | 725V4     | C1-25 (231) | AVB8-...   | B8-21 (160) |
| 476V4     | C1-41 (247)  | 538N4     | B4-9 (83)    | 726M1     | C1-22 (228) | AVB8-...   | B9-21 (181) |
| 477M1     | C1-38 (244)  | 538V1     | B4-10 (84)   | 727M1     | C1-26 (232) | AVB8-...   | D1-4 (342)  |
| 477M4     | C1-38 (244)  | 538V1     | B4-10 (84)   | 728V1     | C1-48 (254) | AVC2-...   | B3-11 (74)  |
| 477N1     | C1-39 (245)  | 542M1     | B4-1 (75)    | 729V1     | C1-58 (264) | AVC2-...   | B4-11 (85)  |
| 477N4     | C1-39 (245)  | 548M1     | B4-2 (76)    | 730M1     | C1-43 (249) | AVC2-...   | D1-2 (340)  |
| 477V1     | C1-40 (246)  | 548V1     | B4-2 (76)    | 730M4     | C1-43 (249) | AVD2       | B2-11 (63)  |
| 477V4     | C1-40 (246)  | 549V1     | B4-3 (77)    | 730N1     | C1-44 (250) | AVD2       | D1-1 (339)  |
| 478V1     | C1-42 (248)  | 586M1     | C2-11 (291)  | 730N4     | C1-44 (250) | AVE5-...   | B11-3 (204) |
| 481M1     | B9-11 (171)  | 587M1     | C2-12 (292)  | 730V1     | C1-45 (251) | AVE5-...   | D1-5 (343)  |
| 482M1     | B9-12 (172)  | 587M4     | C2-12 (292)  | 730V4     | C1-45 (251) | AVF5-...   | B11-4 (205) |
| 482V1     | B9-13 (173)  | 587N1     | C2-13 (293)  | 731M1     | C1-46 (252) | AVF5-...   | D1-6 (344)  |
| 483M1     | B9-14 (174)  | 587N4     | C2-13 (293)  | 732M1     | C1-47 (253) | FAS2-8-... | D3-2 (348)  |
| 483M4     | B9-14 (174)  | 587V1     | C2-14 (294)  | 732V1     | C1-48 (254) | FAZ2-...   | D3-1 (347)  |
| 483N1     | B9-15 (175)  | 587V4     | C2-14 (294)  | 733M1     | C1-49 (255) | FBS2-8-... | D3-2 (348)  |
| 483N4     | B9-15 (175)  | 596M1     | C3-11 (311)  | 733M4     | C1-49 (255) | H200-E7    | C4-3 (337)  |
| 483V1     | B9-16 (176)  | 597M1     | C3-12 (312)  | 733N1     | C1-50 (256) | H200-EA    | C4-1 (335)  |
| 483V4     | B9-16 (176)  | 597M4     | C3-12 (312)  | 733N4     | C1-50 (256) | H200-ED    | C4-2 (336)  |
| 484M1     | B9-18 (178)  | 597N1     | C3-13 (313)  | 733V1     | C1-51 (257) | SAX1       | D5-1 (350)  |
| 484M4     | B9-18 (178)  | 597N4     | C3-13 (313)  | 733V4     | C1-51 (257) | SBX1       | D5-2 (351)  |
| 484N1     | B9-19 (179)  | 597V1     | C3-14 (314)  | 734M1     | C1-52 (258) | TCA2       | D2-1 (345)  |
| 484N4     | B9-19 (179)  | 597V4     | C3-14 (314)  | 735M1     | C1-53 (259) | TCB2       | D2-1 (345)  |
| 484V1     | B9-20 (180)  | 686M1     | C2-15 (295)  | 735M4     | C1-53 (259) | TCC2       | D2-2 (346)  |
| 484V4     | B9-20 (180)  | 686V1     | C2-20 (300)  | 735N1     | C1-54 (260) | TCD2       | D2-2 (346)  |
| 486M1     | B10-1 (182)  | 687M1     | C2-16 (296)  | 735N4     | C1-54 (260) | 218098     | D4-1 (349)  |
| 486M4     | B10-1 (182)  | 687M4     | C2-16 (296)  | 735V1     | C1-55 (261) |            |             |
| 486N1     | B10-2 (183)  | 687N1     | C2-17 (297)  | 735V4     | C1-55 (261) |            |             |
| 486N4     | B10-2 (183)  | 687N4     | C2-17 (297)  | 736M1     | C1-56 (262) |            |             |
| 487M1     | B10-3 (184)  | 687V1     | C2-18 (298)  | 737M1     | C1-57 (263) |            |             |
| 487M4     | B10-3 (184)  | 687V4     | C2-18 (298)  | 737V1     | C1-58 (264) |            |             |
| 487N1     | B10-4 (185)  | 688M1     | C2-19 (299)  | 738M1     | C1-59 (265) |            |             |
| 487N4     | B10-4 (185)  | 688V1     | C2-20 (300)  | 738M4     | C1-59 (265) |            |             |
| 488M1     | B10-5 (186)  | 696M1     | C3-15 (315)  | 738N1     | C1-60 (266) |            |             |
| 488M4     | B10-5 (186)  | 696V1     | C3-20 (320)  | 738N4     | C1-60 (266) |            |             |
| 488N1     | B10-6 (187)  | 697M1     | C3-16 (316)  | 738V1     | C1-61 (267) |            |             |
| 488N4     | B10-6 (187)  | 697M4     | C3-16 (316)  | 738V4     | C1-61 (267) |            |             |
| 489M1     | B10-7 (188)  | 697N1     | C3-17 (317)  | 739M1     | C1-62 (268) |            |             |
| 489M4     | B10-7 (188)  | 697N4     | C3-17 (317)  | 740M1     | C1-64 (270) |            |             |
| 489N1     | B10-8 (189)  | 697V1     | C3-18 (318)  | 740M4     | C1-64 (270) |            |             |
| 489N4     | B10-8 (189)  | 697V4     | C3-18 (318)  | 740N1     | C1-65 (271) |            |             |
| 490M1     | B10-9 (190)  | 698M1     | C3-19 (319)  | 740N4     | C1-65 (271) |            |             |
| 490M4     | B10-9 (190)  | 698V1     | C3-20 (320)  | 740V1     | C1-66 (272) |            |             |
| 490N1     | B10-10 (191) | 700M1     | C1-6 (212)   | 740V4     | C1-66 (272) |            |             |
| 490N4     | B10-10 (191) | 700M4     | C1-6 (212)   | 741M1     | C1-63 (269) |            |             |
| 491M1     | B10-11 (192) | 700N1     | C1-7 (213)   | 742M1     | C1-67 (273) |            |             |

The red coloured mounting forms were added to the Manual H200 Release 2.3.



## Section A

|  | Page        |              |
|--|-------------|--------------|
|  | from        | to           |
| <b>Four hole mounting</b>                                    | <b>A1-1</b> | <b>A1-14</b> |
| <b>Single hole mounting <math>\varnothing</math> 22,5 mm</b> | <b>A2-1</b> | <b>A2-9</b>  |
| <b>Single hole mounting <math>\varnothing</math> 30,5 mm</b> | <b>A3-1</b> | <b>A3-9</b>  |
| <b>Two hole mounting</b>                                     | <b>A4-1</b> | <b>A4-8</b>  |

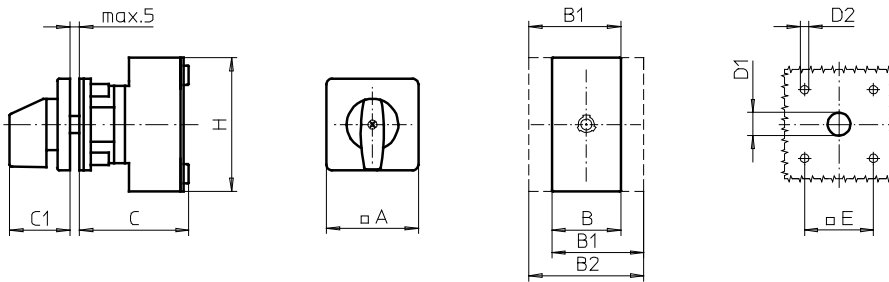
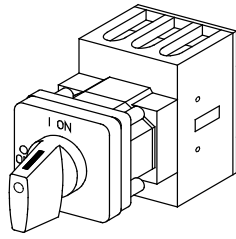
---

**Originator: Sälzer Electric GmbH · Product Data Management (PDM) · 09306 Rochlitz (Germany)**  
Copyright reserved by Sälzer Electric GmbH. This document replaces all previous issues.  
Valid until a new version is published. Changes and revisions reserved.



# Front Mounting Switches

**sälzer**



**Product lines  
H200-A/-B/-C**

**Front mounting switch**

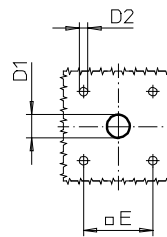
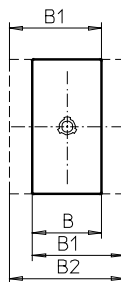
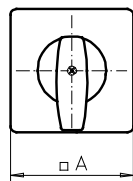
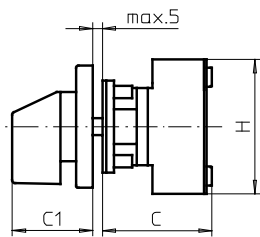
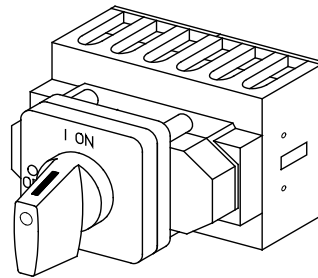
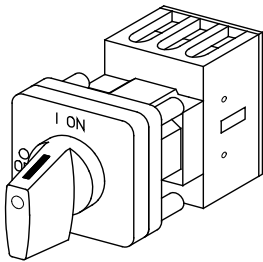
**Four hole mounting  
36 × 36 mm**

**003M1 (IP66)**

| Complete switch   | Poles    | Product line | Rated data (IEC 60947)             |                               |  | Order code number            |           |           |          |          |
|---|----------|--------------|------------------------------------|-------------------------------|--|------------------------------|-----------|-----------|----------|----------|
|   |          |              | Operational current I <sub>e</sub> | Operational power at 380–440V |  |                              |           |           |          |          |
|   |          |              | AC-21A<br>A                        | AC-23A<br>kW                  | AC-3<br>kW                             |                              |           |           |          |          |
| ON-OFF Switches<br>Switching angle 90°  | 3 ... 4  | H200-C       | 20                                 | 5,5                           | 3,7                                    | <b>H212 - 41 ... - 003M1</b> |           |           |          |          |
|   | 3 ... 4  | H200-A       | 20                                 | 5,5                           | 3,7                                    | <b>H216 - 41 ... - 003M1</b> |           |           |          |          |
|   |          |              | 25                                 | 7,5                           | 5,5                                    | <b>H220 - 41 ... - 003M1</b> |           |           |          |          |
|   |          |              | 32                                 | 11                            | 7,5                                    | <b>H226 - 41 ... - 003M1</b> |           |           |          |          |
|   |          |              | 40                                 | 15                            | 11                                     | <b>H233 - 41 ... - 003M1</b> |           |           |          |          |
|   | 3 ... 4  | H200-B       | 63                                 | 22                            | 18,5                                   | <b>H263 - 41 ... - 003M1</b> |           |           |          |          |
| <b>SMD modules for basic switch A02</b>   |          |              |                                    |                               |  |                              |           |           |          |          |
| Mounting form module for 003M1  |          |              | H200-A<br>H200-B/-C                |                               | <b>BFA2 - 003</b><br><b>BFB2 - 003</b> |                              |           |           |          |          |
| M-operator module 48 × 48 mm, mounting form 003M1<br>Escutcheon black, handle black |          |              | H200-A/-B/-C                       |                               | <b>2AM1</b>                            |                              |           |           |          |          |
| Legend plate silver, operator module 003M1  |          |              |                                    |                               | <b>FAS2 - 9...</b> (FA number)         |                              |           |           |          |          |
| <b>Dimensions (mm)</b>  |          |              |                                    |                               |  |                              |           |           |          |          |
| <b>Product lines</b>  | <b>A</b> | <b>B</b>     | <b>B1</b>                          | <b>B2</b>                     | <b>C</b>                               | <b>C1</b>                    | <b>D1</b> | <b>D2</b> | <b>E</b> | <b>H</b> |
| H200-A  | 48       | 36           | 48                                 | 60                            | 58                                     | 32                           | 12        | 4,5       | 36       | 70       |
| H200-B  | 48       | 50           | 69                                 | 88                            | 58                                     | 32                           | 12        | 4,5       | 36       | 72       |
| H200-C  | 48       | 45           | -                                  | -                             | 50                                     | 32                           | 12        | 4,5       | 36       | 45       |

# Front Mounting Switches

**sälzer**



**Product lines**  
H200-A/-B/-C/-D/-E

**Front mounting switch**  
Operator module of next size

**Four hole mounting**  
48 x 48 mm

**013M1** (IP66)

| Complete switch                            | Poles   | Product line | Rated data (IEC 60947)             |                               |                              | Order code number            |
|--|---------|--------------|------------------------------------|-------------------------------|------------------------------|------------------------------|
|  |         |              | Operational current I <sub>e</sub> | Operational power at 380–440V |                              |                              |
|  |         |              | AC-21A<br>A                        | AC-23A<br>kW                  | AC-3<br>kW                   |                              |
| ON-OFF Switches<br>Switching angle 90°     | 3 ... 4 | H200-C       | 20                                 | 5,5                           | 3,7                          | <b>H212 - 41 ... - 013M1</b> |
|  | 3 ... 8 | H200-A/-D    | 20                                 | 5,5                           | 3,7                          | <b>H216 - 41 ... - 013M1</b> |
|  |         |              | 25                                 | 7,5                           | 5,5                          | <b>H220 - 41 ... - 013M1</b> |
|  |         |              | 32                                 | 11                            | 7,5                          | <b>H226 - 41 ... - 013M1</b> |
|  |         |              | 40                                 | 15                            | 11                           | <b>H233 - 41 ... - 013M1</b> |
| 3 ... 4                                    | H200-B  | 63           | 22                                 | 18,5                          | <b>H263 - 41 ... - 013M1</b> |                              |
| Changeover with OFF<br>Switching angle 90° | 3 ... 4 | H200-E       | 20                                 | 5,5                           | 3,7                          | <b>H216 - 71 ... - 013M1</b> |
|  |         |              | 25                                 | 7,5                           | 5,5                          | <b>H220 - 71 ... - 013M1</b> |
|  |         |              | 32                                 | 11                            | 7,5                          | <b>H226 - 71 ... - 013M1</b> |
|  |         |              | 40                                 | 15                            | 11                           | <b>H233 - 71 ... - 013M1</b> |

### SMD modules for basic switch A02

Mounting form module for 013M1

H200-A  
H200-B/-C/-D/-E

**BFA2 - 013**  
**BFB2 - 013**

M-operator module 64 x 64 mm, mounting form 013M1  
Escutcheon black, handle black

H200-A/-B/-C/-D/-E

**4AM1**

Legend plate silver, operator module 013M1

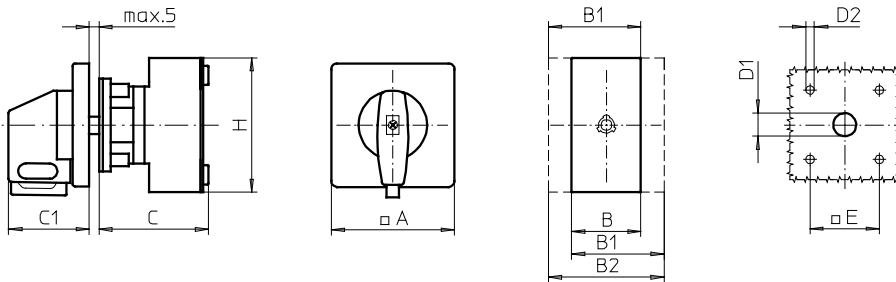
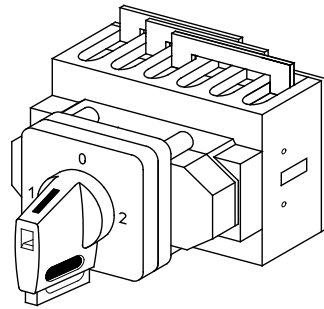
**FAS4 - 9...** (FA number)

### Dimensions (mm)

| Product lines | A  | B  | B1 | B2 | C  | C1 | D1 | D2 | E  | H  |
|---------------|----|----|----|----|----|----|----|----|----|----|
| H200-A        | 64 | 36 | 48 | 60 | 58 | 39 | 15 | 5  | 48 | 70 |
| H200-B        | 64 | 50 | 69 | 88 | 58 | 39 | 15 | 5  | 48 | 72 |
| H200-C        | 64 | 45 | -  | -  | 50 | 39 | 15 | 5  | 48 | 45 |
| H200-D        | 64 | 72 | 84 | 96 | 66 | 39 | 15 | 5  | 48 | 70 |
| H200-E        | 64 | 72 | 84 | 96 | 66 | 39 | 15 | 5  | 48 | 70 |

# Front Mounting Switches

**sälzer**



**Product line  
H200-E**

**Front mounting switch**  
Operator module of next size

**Four hole mounting**  
48 × 48 mm

**013V1 (IP66)**  
**014V1 (IP66)**

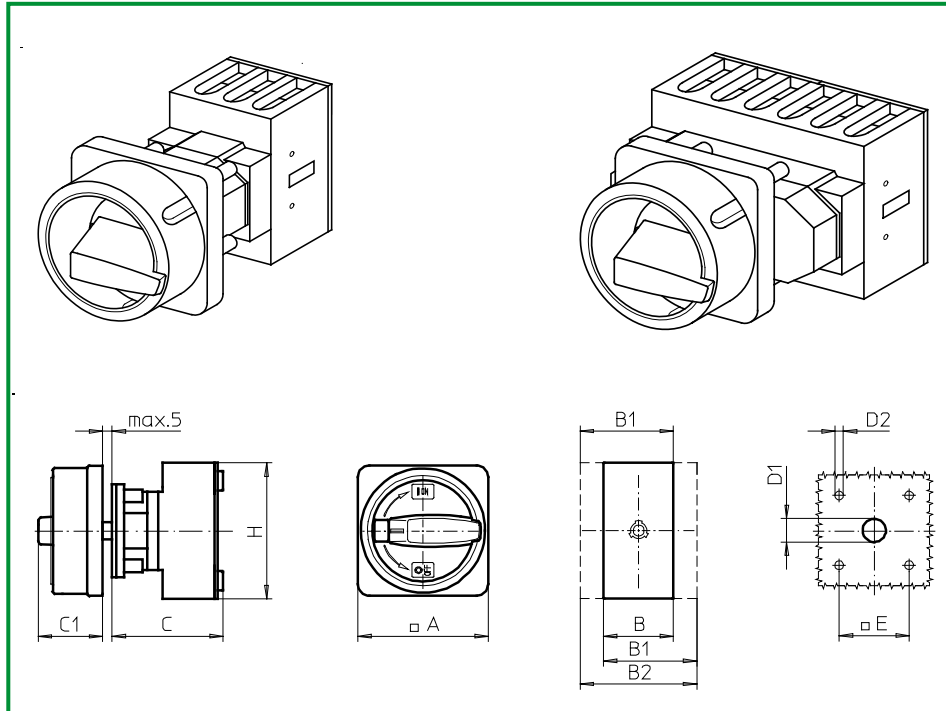
| Complete switch  | Poles   | Product line | Rated data (IEC 60947)             |                               |            | Order code number            |
|--|---------|--------------|------------------------------------|-------------------------------|------------|------------------------------|
|  |         |              | Operational current I <sub>e</sub> | Operational power at 380–440V |            |                              |
|  |         |              | AC-21A<br>A                        | AC-23A<br>kW                  | AC-3<br>kW |                              |
| Changeover with OFF<br>Switching angle 90°<br>OFF position padlockable 12h             | 3 ... 4 | H200-E       | 20                                 | 5,5                           | 3,7        | <b>H216 - 71 ... - 013V1</b> |
|  |         |              | 25                                 | 7,5                           | 5,5        | <b>H220 - 71 ... - 013V1</b> |
|  |         |              | 32                                 | 11                            | 7,5        | <b>H226 - 71 ... - 013V1</b> |
|  |         |              | 40                                 | 15                            | 11         | <b>H233 - 71 ... - 013V1</b> |
| Changeover with OFF<br>Switching angle 90°<br>3 positions padlockable<br>(09h/12h/03h) | 3 ... 4 | H200-E       | 20                                 | 5,5                           | 3,7        | <b>H216 - 71 ... - 014V1</b> |
|  |         |              | 25                                 | 7,5                           | 5,5        | <b>H220 - 71 ... - 014V1</b> |
|  |         |              | 32                                 | 11                            | 7,5        | <b>H226 - 71 ... - 014V1</b> |
|  |         |              | 40                                 | 15                            | 11         | <b>H233 - 71 ... - 014V1</b> |

| SMD modules for basic switch A02  |        |                                |
|---|--------|--------------------------------|
| Mounting form module for 013V1/014V1  | H200-E | <b>BFB2 - 013</b>              |
| V-operator module 64 × 64 mm, mounting form 013V1<br>Escutcheon black, handle black |        | <b>4AV1 - 12</b>               |
| V-operator module 64 × 64 mm, mounting form 014V1<br>Escutcheon black, handle black |        | <b>4AV1 - 99</b>               |
| Legend plate silver, operator modules 013V1/014V1                                   |        | <b>FAS4 - 9...</b> (FA number) |

| Dimensions (mm) |    |    |    |    |    |    |    |    |    |    |
|-----------------|----|----|----|----|----|----|----|----|----|----|
| Product line    | A  | B  | B1 | B2 | C  | C1 | D1 | D2 | E  | H  |
| H200-E          | 64 | 72 | 84 | 96 | 66 | 39 | 15 | 5  | 48 | 70 |

# Front Mounting Switches

**sälzer**



**Product lines  
H200-A/-B/-C/-D**

**Front mounting switch**

**Four hole mounting**

36 × 36 mm

**033M1** (IP66)

**033M4** (IP66)

| Complete switch   | Poles   | Product line | Rated data (IEC 60947)             |                               |                              | Order code number            |
|---|---------|--------------|------------------------------------|-------------------------------|------------------------------|------------------------------|
|   |         |              | Operational current I <sub>e</sub> | Operational power at 380–440V |                              |                              |
|   |         |              | AC-21A<br>A                        | AC-23A<br>kW                  | AC-3<br>kW                   |                              |
| Main Switches<br>OFF position padlockable 09h               | 3 ... 4 | H200-C       | 20                                 | 5,5                           | 3,7                          | <b>H212 - 41 ... - 033M1</b> |
|   | 3 ... 8 | H200-A/-D    | 20                                 | 5,5                           | 3,7                          | <b>H216 - 41 ... - 033M1</b> |
|   |         |              | 25                                 | 7,5                           | 5,5                          | <b>H220 - 41 ... - 033M1</b> |
|   |         |              | 32                                 | 11                            | 7,5                          | <b>H226 - 41 ... - 033M1</b> |
|   |         |              | 40                                 | 15                            | 11                           | <b>H233 - 41 ... - 033M1</b> |
| 3 ... 4   | H200-B  | 63           | 22                                 | 18,5                          | <b>H263 - 41 ... - 033M1</b> |                              |
| Main/Emergency-Off Switches<br>OFF position padlockable 09h | 3 ... 4 | H200-C       | 20                                 | 5,5                           | 3,7                          | <b>H212 - 41 ... - 033M4</b> |
|   | 3 ... 8 | H200-A/-D    | 20                                 | 5,5                           | 3,7                          | <b>H216 - 41 ... - 033M4</b> |
|   |         |              | 25                                 | 7,5                           | 5,5                          | <b>H220 - 41 ... - 033M4</b> |
|   |         |              | 32                                 | 11                            | 7,5                          | <b>H226 - 41 ... - 033M4</b> |
|   |         |              | 40                                 | 15                            | 11                           | <b>H233 - 41 ... - 033M4</b> |
| 3 ... 4   | H200-B  | 63           | 22                                 | 18,5                          | <b>H263 - 41 ... - 033M4</b> |                              |

## SMD modules for basic switch A02

Mounting form module for 033M.

H200-A  
H200-B/-C/-D

**BFA2 - 033**  
**BFB2 - 033**

M-padlock device 67 × 67 mm, mounting form 033M1  
Escutcheon black, padlockable handle black

H200-A/-B/-C/-D

**2CM1**

M-padlock device 67 × 67 mm, mounting form 033M4  
Escutcheon yellow, padlockable handle red

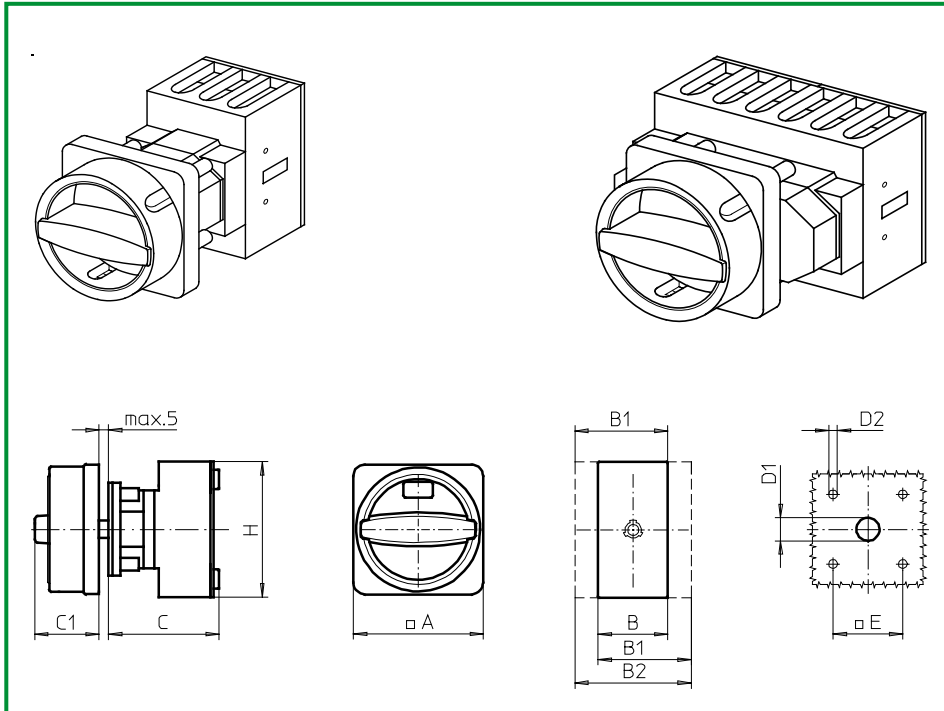
**2CM4**

## Dimensions (mm)

| Product lines | A  | B  | B1 | B2 | C  | C1 | D1 | D2  | E  | H  |
|---------------|----|----|----|----|----|----|----|-----|----|----|
| H200-A        | 67 | 36 | 48 | 60 | 58 | 38 | 15 | 4,5 | 36 | 70 |
| H200-B        | 67 | 50 | 69 | 88 | 58 | 38 | 15 | 4,5 | 36 | 72 |
| H200-C        | 67 | 45 | -  | -  | 50 | 38 | 15 | 4,5 | 36 | 45 |
| H200-D        | 67 | 72 | 84 | 96 | 66 | 38 | 15 | 4,5 | 36 | 70 |

# Front Mounting Switches

**sälzer**



**Product lines  
H200-A/-B/-C/-D**

**Front mounting switch**

**Four hole mounting**

36 × 36 mm

**033N1 (IP66)**

**033N4 (IP66)**

| Complete switch   | Poles   | Product line | Rated data (IEC 60947)             |                               |                              | Order code number            |
|---|---------|--------------|------------------------------------|-------------------------------|------------------------------|------------------------------|
|   |         |              | Operational current I <sub>e</sub> | Operational power at 380–440V |                              |                              |
|   |         |              | AC-21A<br>A                        | AC-23A<br>kW                  | AC-3<br>kW                   |                              |
| Main Switches<br>OFF position padlockable 12h               | 3 ... 4 | H200-C       | 20                                 | 5,5                           | 3,7                          | <b>H212 - 41 ... - 033N1</b> |
|   | 3 ... 8 | H200-A/-D    | 20                                 | 5,5                           | 3,7                          | <b>H216 - 41 ... - 033N1</b> |
|   |         |              | 25                                 | 7,5                           | 5,5                          | <b>H220 - 41 ... - 033N1</b> |
|   |         |              | 32                                 | 11                            | 7,5                          | <b>H226 - 41 ... - 033N1</b> |
|   |         |              | 40                                 | 15                            | 11                           | <b>H233 - 41 ... - 033N1</b> |
| 3 ... 4   | H200-B  | 63           | 22                                 | 18,5                          | <b>H263 - 41 ... - 033N1</b> |                              |
| Main/Emergency-Off Switches<br>OFF position padlockable 12h | 3 ... 4 | H200-C       | 20                                 | 5,5                           | 3,7                          | <b>H212 - 41 ... - 033N4</b> |
|   | 3 ... 8 | H200-A/-D    | 20                                 | 5,5                           | 3,7                          | <b>H216 - 41 ... - 033N4</b> |
|   |         |              | 25                                 | 7,5                           | 5,5                          | <b>H220 - 41 ... - 033N4</b> |
|   |         |              | 32                                 | 11                            | 7,5                          | <b>H226 - 41 ... - 033N4</b> |
|   |         |              | 40                                 | 15                            | 11                           | <b>H233 - 41 ... - 033N4</b> |
| 3 ... 4   | H200-B  | 63           | 22                                 | 18,5                          | <b>H263 - 41 ... - 033N4</b> |                              |

### SMD modules for basic switch A02

Mounting form module for 033N.

H200-A  
H200-B/-C/-D  
H200-A/-B/-C/-D

**BFA2 - 033**  
**BFB2 - 033**

N-padlock device 67 × 67 mm, mounting form 033N1  
Escutcheon black, padlockable handle black

**2CN1**

N-padlock device 67 × 67 mm, mounting form 033N4  
Escutcheon yellow, padlockable handle red

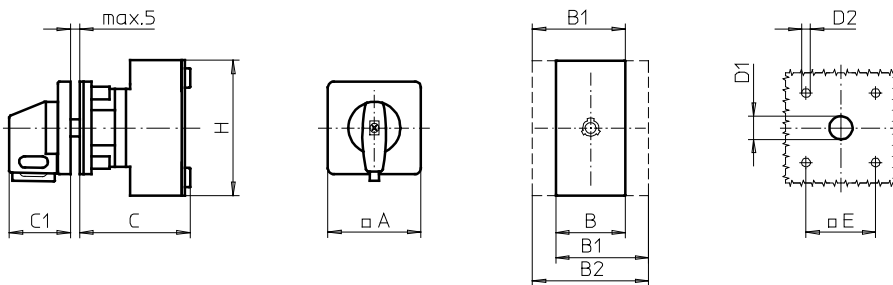
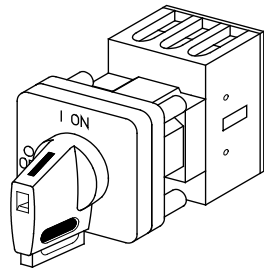
**2CN4**

### Dimensions (mm)

| Product lines | A  | B  | B1 | B2 | C  | C1 | D1 | D2  | E  | H  |
|---------------|----|----|----|----|----|----|----|-----|----|----|
| H200-A        | 67 | 36 | 48 | 60 | 58 | 33 | 15 | 4,5 | 36 | 70 |
| H200-B        | 67 | 50 | 69 | 88 | 58 | 33 | 15 | 4,5 | 36 | 72 |
| H200-C        | 67 | 45 | -  | -  | 50 | 33 | 15 | 4,5 | 36 | 45 |
| H200-D        | 67 | 72 | 84 | 96 | 66 | 33 | 15 | 4,5 | 36 | 70 |

# Front Mounting Switches

**sälzer**



**Product lines  
H200-A/-B/-C**

**Front mounting switch**

**Four hole mounting**

36 × 36 mm

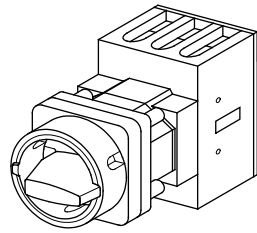
**033V1 (IP66)**

**033V4 (IP66)**

| Complete switch   | Poles    | Product line | Rated data (IEC 60947)             |                               |  | Order code number            |           |           |          |          |
|---|----------|--------------|------------------------------------|-------------------------------|--|------------------------------|-----------|-----------|----------|----------|
|   |          |              | Operational current I <sub>e</sub> | Operational power at 380–440V |  |                              |           |           |          |          |
|   |          |              | AC-21A<br>A                        | AC-23A<br>kW                  | AC-3<br>kW                             |                              |           |           |          |          |
| Main Switches<br>OFF position padlockable 09h                                       | 3 ... 4  | H200-C       | 20                                 | 5,5                           | 3,7                                    | <b>H212 - 41 ... - 033V1</b> |           |           |          |          |
|   | 3 ... 4  | H200-A       | 20                                 | 5,5                           | 3,7                                    | <b>H216 - 41 ... - 033V1</b> |           |           |          |          |
|   |          |              | 25                                 | 7,5                           | 5,5                                    | <b>H220 - 41 ... - 033V1</b> |           |           |          |          |
|   |          |              | 32                                 | 11                            | 7,5                                    | <b>H226 - 41 ... - 033V1</b> |           |           |          |          |
|   |          |              | 40                                 | 15                            | 11                                     | <b>H233 - 41 ... - 033V1</b> |           |           |          |          |
|   |          |              | 63                                 | 22                            | 18,5                                   | <b>H263 - 41 ... - 033V1</b> |           |           |          |          |
| Main/Emergency-Off Switches<br>OFF position padlockable 09h                         | 3 ... 4  | H200-C       | 20                                 | 5,5                           | 3,7                                    | <b>H212 - 41 ... - 033V4</b> |           |           |          |          |
|   | 3 ... 4  | H200-A       | 20                                 | 5,5                           | 3,7                                    | <b>H216 - 41 ... - 033V4</b> |           |           |          |          |
|   |          |              | 25                                 | 7,5                           | 5,5                                    | <b>H220 - 41 ... - 033V4</b> |           |           |          |          |
|   |          |              | 32                                 | 11                            | 7,5                                    | <b>H226 - 41 ... - 033V4</b> |           |           |          |          |
|   |          |              | 40                                 | 15                            | 11                                     | <b>H233 - 41 ... - 033V4</b> |           |           |          |          |
|   |          |              | 63                                 | 22                            | 18,5                                   | <b>H263 - 41 ... - 033V4</b> |           |           |          |          |
| <b>SMD modules for basic switch A02</b>   |          |              |                                    |                               |  |                              |           |           |          |          |
| Mounting form module for 033V.  |          |              | H200-A<br>H200-B /-C               |                               | <b>BFA2 - 003</b><br><b>BFB2 - 003</b> |                              |           |           |          |          |
| V-operator module 48 × 48 mm, mounting form 033V1<br>Escutcheon black, handle black |          |              | H200-A/-B/-C                       |                               | <b>2AV1 - 09</b>                       |                              |           |           |          |          |
| Legend plate silver, operator module 033V1  |          |              |                                    |                               | <b>FAS2 - 9078</b>                     |                              |           |           |          |          |
| V-operator module 48 × 48 mm, mounting form 033V4<br>Escutcheon black, handle red   |          |              |                                    |                               | <b>2AV4 - 09</b>                       |                              |           |           |          |          |
| Legend plate yellow, operator module 033V4  |          |              |                                    |                               | <b>FBS2 - 9078</b>                     |                              |           |           |          |          |
| <b>Dimensions (mm)</b>  |          |              |                                    |                               |  |                              |           |           |          |          |
| <b>Product lines</b>  | <b>A</b> | <b>B</b>     | <b>B1</b>                          | <b>B2</b>                     | <b>C</b>                               | <b>C1</b>                    | <b>D1</b> | <b>D2</b> | <b>E</b> | <b>H</b> |
| H200-A  | 48       | 36           | 48                                 | 60                            | 58                                     | 32                           | 12        | 4,5       | 36       | 70       |
| H200-B  | 48       | 50           | 69                                 | 88                            | 58                                     | 32                           | 12        | 4,5       | 36       | 72       |
| H200-C  | 48       | 45           | -                                  | -                             | 50                                     | 32                           | 12        | 4,5       | 36       | 45       |

# Front Mounting Switches

**sälzer**



**Product lines  
H200-A/-B/-C**

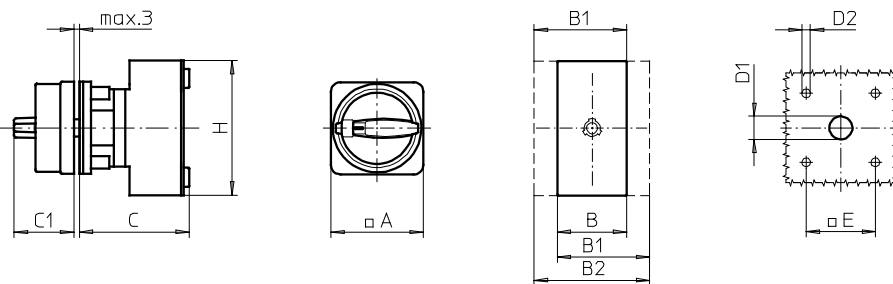
**Front mounting switch**

**Four hole mounting**

36 × 36 mm

**035M1** (IP66)

**035M4** (IP66)



| Complete switch   | Poles   | Product line | Rated data (IEC 60947)             |                               |            | Order code number            |
|---|---------|--------------|------------------------------------|-------------------------------|------------|------------------------------|
|   |         |              | Operational current I <sub>e</sub> | Operational power at 380–440V |            |                              |
|   |         |              | AC-21A<br>A                        | AC-23A<br>kW                  | AC-3<br>kW |                              |
| Main Switches<br>OFF position padlockable 09h               | 3 ... 4 | H200-C       | 20                                 | 5,5                           | 3,7        | <b>H212 - 41 ... - 035M1</b> |
|   | 3 ... 4 | H200-A       | 20                                 | 5,5                           | 3,7        | <b>H216 - 41 ... - 035M1</b> |
|   |         |              | 25                                 | 7,5                           | 5,5        | <b>H220 - 41 ... - 035M1</b> |
|   |         |              | 32                                 | 11                            | 7,5        | <b>H226 - 41 ... - 035M1</b> |
|   |         |              | 40                                 | 15                            | 11         | <b>H233 - 41 ... - 035M1</b> |
|   |         |              | 63                                 | 22                            | 18,5       | <b>H263 - 41 ... - 035M1</b> |
| Main/Emergency-Off Switches<br>OFF position padlockable 09h | 3 ... 4 | H200-C       | 20                                 | 5,5                           | 3,7        | <b>H212 - 41 ... - 035M4</b> |
|   | 3 ... 4 | H200-A       | 20                                 | 5,5                           | 3,7        | <b>H216 - 41 ... - 035M4</b> |
|   |         |              | 25                                 | 7,5                           | 5,5        | <b>H220 - 41 ... - 035M4</b> |
|   |         |              | 32                                 | 11                            | 7,5        | <b>H226 - 41 ... - 035M4</b> |
|   |         |              | 40                                 | 15                            | 11         | <b>H233 - 41 ... - 035M4</b> |
|   |         |              | 63                                 | 22                            | 18,5       | <b>H263 - 41 ... - 035M4</b> |

### SMD modules for basic switch A02

Mounting form module for 035M.

H200-A  
H200-B/-C

**BFA2 - 003**  
**BFB2 - 003**

M-padlock device 48 × 48 mm, mounting form 035M1  
Escutcheon black, padlockable handle black

H200-A/-B/-C

**2BM1**

M-padlock device 48 × 48 mm, mounting form 035M4  
Escutcheon yellow, padlockable handle red

**2BM4**

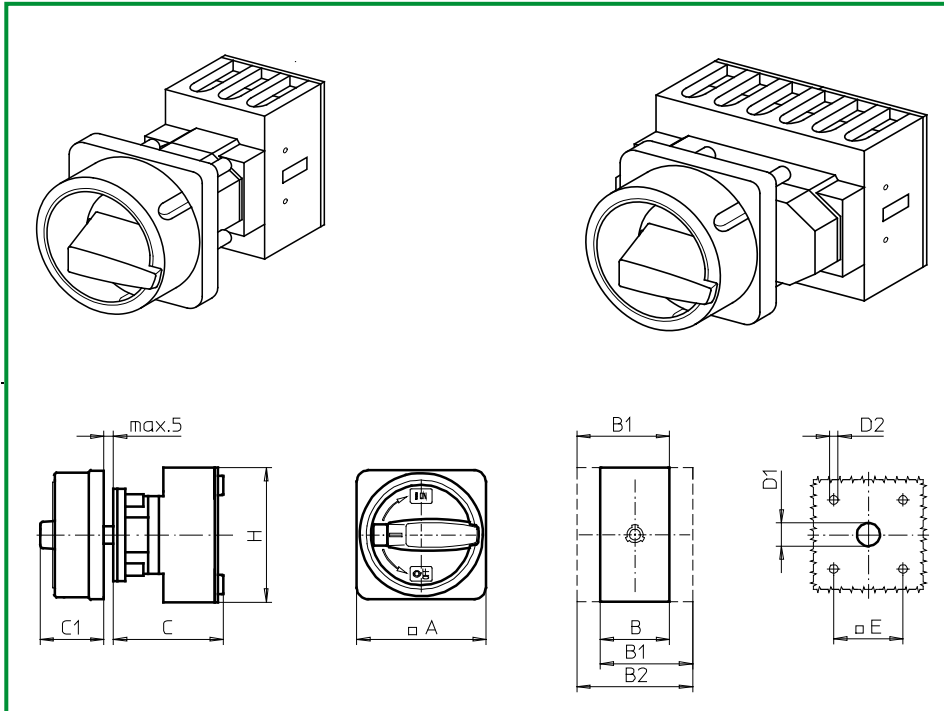
### Dimensions (mm)

| Product lines | A  | B  | B1 | B2 | C  | C1 | D1 | D2  | E  | H  |
|---------------|----|----|----|----|----|----|----|-----|----|----|
| H200-A        | 48 | 36 | 48 | 60 | 58 | 31 | 12 | 4,5 | 36 | 70 |
| H200-B        | 48 | 50 | 69 | 88 | 58 | 31 | 12 | 4,5 | 36 | 72 |
| H200-C        | 48 | 45 | -  | -  | 50 | 31 | 12 | 4,5 | 36 | 45 |



# Front Mounting Switches

**sälzer**



**Product lines**  
H200-A/-B/-C/-D

**Front mounting switch**  
Operator module of next size

**Four hole mounting**  
48 × 48 mm

**036M1** (IP66)

**036M4** (IP66)

| Complete switch   | Poles   | Product line | Rated data (IEC 60947)             |                               |                              | Order code number            |
|---|---------|--------------|------------------------------------|-------------------------------|------------------------------|------------------------------|
|   |         |              | Operational current I <sub>e</sub> | Operational power at 380–440V |                              |                              |
|   |         |              | AC-21A<br>A                        | AC-23A<br>kW                  | AC-3<br>kW                   |                              |
| Main Switches<br>OFF position padlockable 09h               | 3 ... 4 | H200-C       | 20                                 | 5,5                           | 3,7                          | <b>H212 - 41 ... - 036M1</b> |
|   | 3 ... 8 | H200-A/-D    | 20                                 | 5,5                           | 3,7                          | <b>H216 - 41 ... - 036M1</b> |
|   |         |              | 25                                 | 7,5                           | 5,5                          | <b>H220 - 41 ... - 036M1</b> |
|   |         |              | 32                                 | 11                            | 7,5                          | <b>H226 - 41 ... - 036M1</b> |
|   |         |              | 40                                 | 15                            | 11                           | <b>H233 - 41 ... - 036M1</b> |
| 3 ... 4   | H200-B  | 63           | 22                                 | 18,5                          | <b>H263 - 41 ... - 036M1</b> |                              |
| Main/Emergency-Off Switches<br>OFF position padlockable 09h | 3 ... 4 | H200-C       | 20                                 | 5,5                           | 3,7                          | <b>H212 - 41 ... - 036M4</b> |
|   | 3 ... 8 | H200-A/-D    | 20                                 | 5,5                           | 3,7                          | <b>H216 - 41 ... - 036M4</b> |
|   |         |              | 25                                 | 7,5                           | 5,5                          | <b>H220 - 41 ... - 036M4</b> |
|   |         |              | 32                                 | 11                            | 7,5                          | <b>H226 - 41 ... - 036M4</b> |
|   |         |              | 40                                 | 15                            | 11                           | <b>H233 - 41 ... - 036M4</b> |
| 3 ... 4   | H200-B  | 63           | 22                                 | 18,5                          | <b>H263 - 41 ... - 036M4</b> |                              |

### SMD modules for basic switch A02

Mounting form module for 036M.

H200-A  
H200-B/-C/-D  
H200-A/-B/-C/-D

**BFA2 - 036**  
**BFB2 - 036**

M-padlock device 67 × 67 mm, mounting form 036M1  
Escutcheon black, padlockable handle black

**4BM1**

M-padlock device 67 × 67 mm, mounting form 036M4  
Escutcheon yellow, padlockable handle red

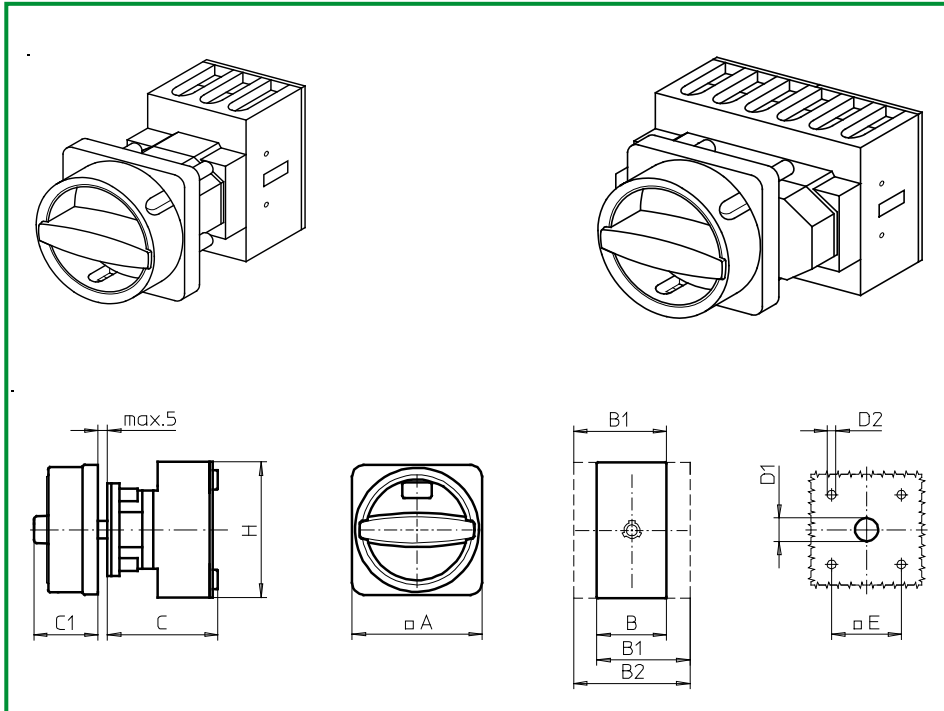
**4BM4**

### Dimensions (mm)

| Product lines | A  | B  | B1 | B2 | C  | C1 | D1 | D2 | E  | H  |
|---------------|----|----|----|----|----|----|----|----|----|----|
| H200-A        | 67 | 36 | 48 | 60 | 58 | 38 | 15 | 5  | 48 | 70 |
| H200-B        | 67 | 50 | 69 | 88 | 58 | 38 | 15 | 5  | 48 | 72 |
| H200-C        | 67 | 45 | -  | -  | 50 | 38 | 15 | 5  | 48 | 45 |
| H200-D        | 67 | 72 | 84 | 96 | 66 | 38 | 15 | 5  | 48 | 70 |

# Front Mounting Switches

**sälzer**



**Product lines**  
H200-A/-B/-C/-D

**Front mounting switch**  
Operator module of next size

**Four hole mounting**  
48 × 48 mm

**036N1** (IP66)  
**036N4** (IP66)

| Complete switch   | Poles   | Product line | Rated data (IEC 60947)             |                               |                              | Order code number            |
|---|---------|--------------|------------------------------------|-------------------------------|------------------------------|------------------------------|
|   |         |              | Operational current I <sub>e</sub> | Operational power at 380–440V |                              |                              |
|   |         |              | AC-21A<br>A                        | AC-23A<br>kW                  | AC-3<br>kW                   |                              |
| Main Switches<br>OFF position padlockable 12h               | 3 ... 4 | H200-C       | 20                                 | 5,5                           | 3,7                          | <b>H212 - 41 ... - 036N1</b> |
|   | 3 ... 8 | H200-A/-D    | 20                                 | 5,5                           | 3,7                          | <b>H216 - 41 ... - 036N1</b> |
|   |         |              | 25                                 | 7,5                           | 5,5                          | <b>H220 - 41 ... - 036N1</b> |
|   |         |              | 32                                 | 11                            | 7,5                          | <b>H226 - 41 ... - 036N1</b> |
|   |         |              | 40                                 | 15                            | 11                           | <b>H233 - 41 ... - 036N1</b> |
| 3 ... 4   | H200-B  | 63           | 22                                 | 18,5                          | <b>H263 - 41 ... - 036N1</b> |                              |
| Main/Emergency-Off Switches<br>OFF position padlockable 12h | 3 ... 4 | H200-C       | 20                                 | 5,5                           | 3,7                          | <b>H212 - 41 ... - 036N4</b> |
|   | 3 ... 8 | H200-A/-D    | 20                                 | 5,5                           | 3,7                          | <b>H216 - 41 ... - 036N4</b> |
|   |         |              | 25                                 | 7,5                           | 5,5                          | <b>H220 - 41 ... - 036N4</b> |
|   |         |              | 32                                 | 11                            | 7,5                          | <b>H226 - 41 ... - 036N4</b> |
|   |         |              | 40                                 | 15                            | 11                           | <b>H233 - 41 ... - 036N4</b> |
| 3 ... 4   | H200-B  | 63           | 22                                 | 18,5                          | <b>H263 - 41 ... - 036N4</b> |                              |

### SMD modules for basic switch A02

Mounting form module for 036N.

H200-A  
H200-B/-C/-D  
H200-A/-B/-C/-D

**BFA2 - 036**  
**BFB2 - 036**

N-padlock device 67 × 67 mm, mounting form 036N1  
Escutcheon black, padlockable handle black

**4BN1**

N-padlock device 67 × 67 mm, mounting form 036N4  
Escutcheon yellow, padlockable handle red

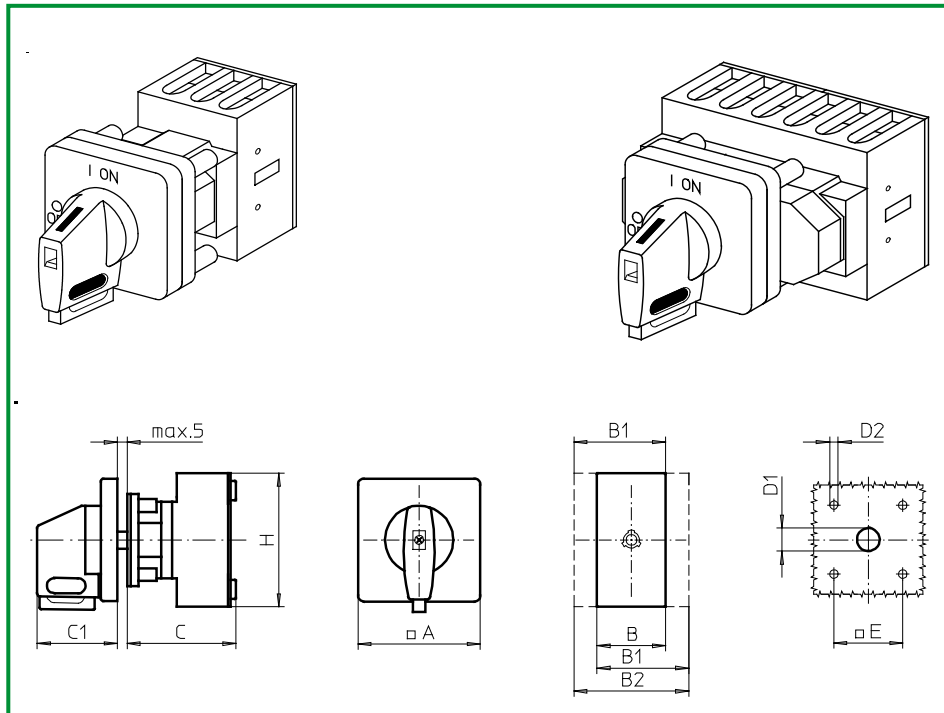
**4BN4**

### Dimensions (mm)

| Product lines | A  | B  | B1 | B2 | C  | C1 | D1 | D2 | E  | H  |
|---------------|----|----|----|----|----|----|----|----|----|----|
| H200-A        | 67 | 36 | 48 | 60 | 58 | 33 | 15 | 5  | 48 | 70 |
| H200-B        | 67 | 50 | 69 | 88 | 58 | 33 | 15 | 5  | 48 | 72 |
| H200-C        | 67 | 45 | -  | -  | 50 | 33 | 15 | 5  | 48 | 45 |
| H200-D        | 67 | 72 | 84 | 96 | 66 | 33 | 15 | 5  | 48 | 70 |

# Front Mounting Switches

**sälzer**



**Product lines  
H200-A/-B/-C/-D**

**Front mounting switch**

Operator module of next size

**Four hole mounting**

48 × 48 mm

**036V1 (IP66)**

**036V4 (IP66)**

| Complete switch   | Poles   | Product line | Rated data (IEC 60947)             |                               |            | Order code number            |
|---|---------|--------------|------------------------------------|-------------------------------|------------|------------------------------|
|   |         |              | Operational current I <sub>e</sub> | Operational power at 380–440V |            |                              |
|   |         |              | AC-21A<br>A                        | AC-23A<br>kW                  | AC-3<br>kW |                              |
| Main Switches<br>OFF position padlockable 09h               | 3 ... 4 | H200-C       | 20                                 | 5,5                           | 3,7        | <b>H212 - 41 ... - 036V1</b> |
|   | 3 ... 8 | H200-A/-D    | 20                                 | 5,5                           | 3,7        | <b>H216 - 41 ... - 036V1</b> |
|   |         |              | 25                                 | 7,5                           | 5,5        | <b>H220 - 41 ... - 036V1</b> |
|   |         |              | 32                                 | 11                            | 7,5        | <b>H226 - 41 ... - 036V1</b> |
|   |         |              | 40                                 | 15                            | 11         | <b>H233 - 41 ... - 036V1</b> |
|   |         |              | 63                                 | 22                            | 18,5       | <b>H263 - 41 ... - 036V1</b> |
| Main/Emergency-Off Switches<br>OFF position padlockable 09h | 3 ... 4 | H200-C       | 20                                 | 5,5                           | 3,7        | <b>H212 - 41 ... - 036V4</b> |
|   | 3 ... 8 | H200-A/-D    | 20                                 | 5,5                           | 3,7        | <b>H216 - 41 ... - 036V4</b> |
|   |         |              | 25                                 | 7,5                           | 5,5        | <b>H220 - 41 ... - 036V4</b> |
|   |         |              | 32                                 | 11                            | 7,5        | <b>H226 - 41 ... - 036V4</b> |
|   |         |              | 40                                 | 15                            | 11         | <b>H233 - 41 ... - 036V4</b> |
|   |         |              | 63                                 | 22                            | 18,5       | <b>H263 - 41 ... - 036V4</b> |

## SMD modules for basic switch A02

Mounting form module for 036V.

H200-A  
H200-B/-C/-D

**BFA2 - 013**  
**BFB2 - 013**

V-operator module 64 × 64 mm, mounting form 036V1  
Escutcheon black, handle black

H200-A/-B/-C/-D

**4AV1 - 09**

Legend plate silver, operator module 036V1

**FAS4 - 9078**

V-operator module 64 × 64 mm, mounting form 036V4  
Escutcheon black, handle red

**4AV4 - 09**

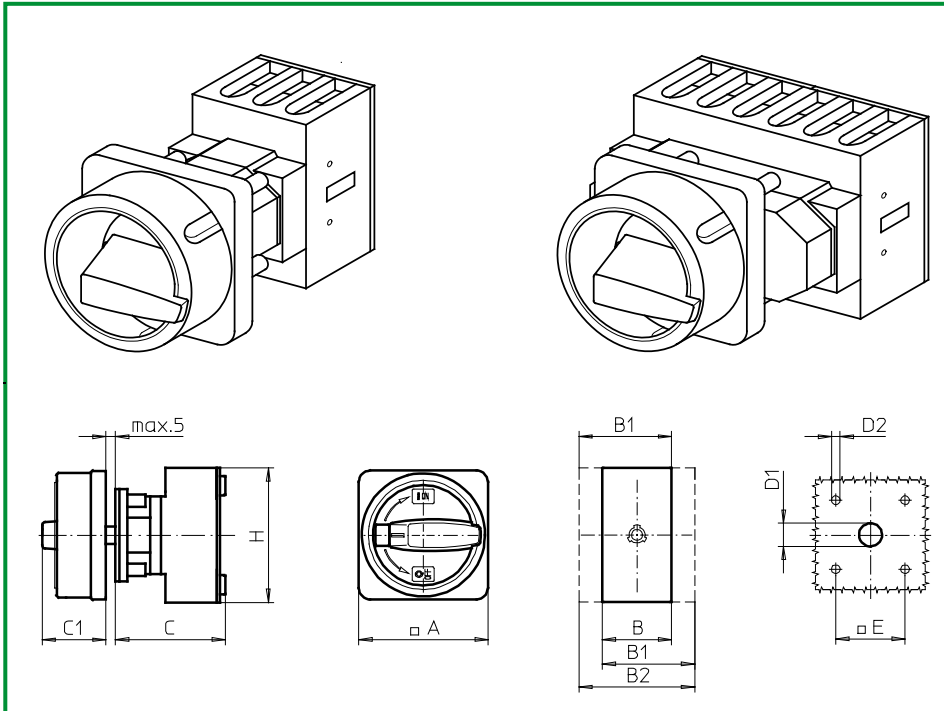
Legend plate yellow, operator module 036V4

**FBS4 - 9078**

## Dimensions (mm)

| Product lines | A  | B  | B1 | B2 | C  | C1 | D1 | D2 | E  | H  |
|---------------|----|----|----|----|----|----|----|----|----|----|
| H200-A        | 64 | 36 | 48 | 60 | 58 | 39 | 15 | 5  | 48 | 70 |
| H200-B        | 64 | 50 | 69 | 88 | 58 | 39 | 15 | 5  | 48 | 72 |
| H200-C        | 64 | 45 | -  | -  | 50 | 39 | 15 | 5  | 48 | 45 |
| H200-D        | 64 | 72 | 84 | 96 | 66 | 39 | 15 | 5  | 48 | 70 |

# Front Mounting Switches



**Product lines**  
H200-B/-D

**Front mounting switch**  
Operator module of size 600

**Four hole mounting**  
68 × 68 mm

**136M1** (IP55)  
**136M4** (IP55)

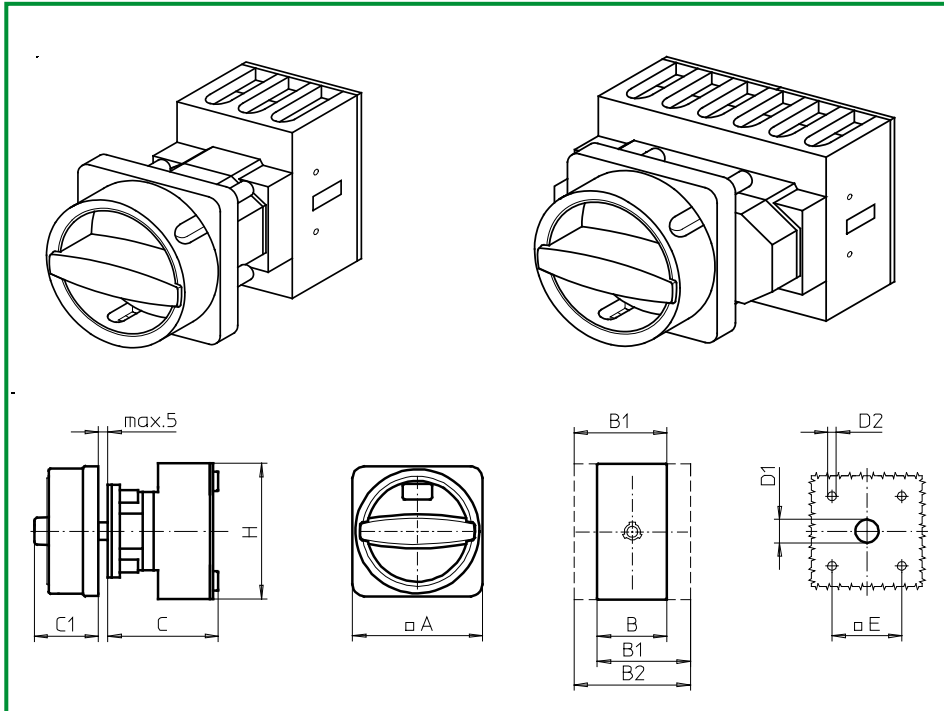
| Complete switch   | Poles  | Product line | Rated data (IEC 60947)             |                               |            | Order code number            |
|---|--|--------------|------------------------------------|-------------------------------|------------|------------------------------|
|   |  |              | Operational current I <sub>e</sub> | Operational power at 380–440V |            |                              |
|   |  |              | AC-21A<br>A                        | AC-23A<br>kW                  | AC-3<br>kW |                              |
| Main Switches<br>OFF position padlockable 09h   | 6 ... 8  | H200-D       | 20                                 | 5,5                           | 3,7        | <b>H216 - 41 ... - 136M1</b> |
|   |  |              | 25                                 | 7,5                           | 5,5        | <b>H220 - 41 ... - 136M1</b> |
|   |  |              | 32                                 | 11                            | 7,5        | <b>H226 - 41 ... - 136M1</b> |
|   |  |              | 40                                 | 15                            | 11         | <b>H233 - 41 ... - 136M1</b> |
|   |  |              | 63                                 | 18,5                          | 15         | <b>H263 - 41 ... - 136M1</b> |
| Main/Emergency-Off Switches<br>OFF position padlockable 09h                                   | 6 ... 8  | H200-D       | 20                                 | 5,5                           | 3,7        | <b>H216 - 41 ... - 136M4</b> |
|   |  |              | 25                                 | 7,5                           | 5,5        | <b>H220 - 41 ... - 136M4</b> |
|   |  |              | 32                                 | 11                            | 7,5        | <b>H226 - 41 ... - 136M4</b> |
|   |  |              | 40                                 | 15                            | 11         | <b>H233 - 41 ... - 136M4</b> |
|   |  |              | 63                                 | 18,5                          | 15         | <b>H263 - 41 ... - 136M4</b> |
| SMD modules for basic switch A02  |  |              |                                    |                               |            |                              |
|   | Mounting form module for 136M.   |              |                                    | H200-B/-D                     |            | <b>BFA2 - 136</b>            |
|   | M-padlock device 88 × 88 mm, mounting form 136M1<br>Escutcheon black, padlockable handle black |              |                                    | H200-B/-D                     |            | <b>6HM1</b>                  |
| M-padlock device 88 × 88 mm, mounting form 136M4<br>Escutcheon yellow, padlockable handle red |  |              |                                    |                               |            | <b>6HM4</b>                  |

### Dimensions (mm)

| Product lines | A  | B  | B1 | B2 | C  | C1 | D1 | D2  | E  | H  |
|---------------|----|----|----|----|----|----|----|-----|----|----|
| H200-B        | 88 | 50 | 69 | 88 | 58 | 38 | 15 | 5,5 | 68 | 72 |
| H200-D        | 88 | 72 | 84 | 96 | 66 | 38 | 15 | 5,5 | 68 | 70 |

# Front Mounting Switches

**sälzer**



**Product lines  
H200-B/-D**

**Front mounting switch**  
Operator module of size 600

**Four hole mounting**  
68 × 68 mm

**136N1 (IP55)**  
**136N4 (IP55)**

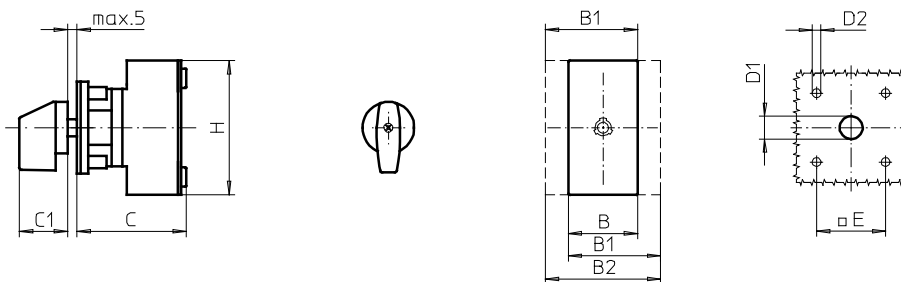
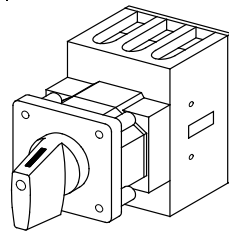
| Complete switch   | Poles   | Product line | Rated data (IEC 60947)             |                               |            | Order code number            |
|---|---------|--------------|------------------------------------|-------------------------------|------------|------------------------------|
|   |         |              | Operational current I <sub>e</sub> | Operational power at 380–440V |            |                              |
|   |         |              | AC-21A<br>A                        | AC-23A<br>kW                  | AC-3<br>kW |                              |
| Main Switches<br>OFF position padlockable 12h               | 6 ... 8 | H200 -D      | 20                                 | 5,5                           | 3,7        | <b>H216 - 41 ... - 136N1</b> |
|   |         |              | 25                                 | 7,5                           | 5,5        | <b>H220 - 41 ... - 136N1</b> |
|   |         |              | 32                                 | 11                            | 7,5        | <b>H226 - 41 ... - 136N1</b> |
|   |         |              | 40                                 | 15                            | 11         | <b>H233 - 41 ... - 136N1</b> |
|   |         |              | 63                                 | 18,5                          | 15         | <b>H263 - 41 ... - 136N1</b> |
| Main/Emergency-Off Switches<br>OFF position padlockable 12h | 6 ... 8 | H200-D       | 20                                 | 5,5                           | 3,7        | <b>H216 - 41 ... - 136N4</b> |
|   |         |              | 25                                 | 7,5                           | 5,5        | <b>H220 - 41 ... - 136N4</b> |
|   |         |              | 32                                 | 11                            | 7,5        | <b>H226 - 41 ... - 136N4</b> |
|   |         |              | 40                                 | 15                            | 11         | <b>H233 - 41 ... - 136N4</b> |
|   |         |              | 63                                 | 18,5                          | 15         | <b>H263 - 41 ... - 136N4</b> |

| SMD modules for basic switch A02   |  |           |                   |
|--|--|-----------|-------------------|
| Mounting form module for 136N.   |  | H200-B/-D | <b>BFA2 - 136</b> |
| N-padlock device 88 × 88 mm, mounting form 136N1<br>Escutcheon black, padlockable handle black |  | H200-B/-D | <b>6HN1</b>       |
| N-padlock device 88 × 88 mm, mounting form 136N4<br>Escutcheon yellow, padlockable handle red  |  |           | <b>6HN4</b>       |

| Dimensions (mm) |    |    |    |    |    |    |    |     |    |    |
|-----------------|----|----|----|----|----|----|----|-----|----|----|
| Product lines   | A  | B  | B1 | B2 | C  | C1 | D1 | D2  | E  | H  |
| H200-B          | 88 | 50 | 69 | 88 | 58 | 33 | 15 | 5,5 | 68 | 72 |
| H200-D          | 88 | 72 | 84 | 96 | 66 | 33 | 15 | 5,5 | 68 | 70 |

# Front Mounting Switches

**sälzer**



**Product lines  
H200-A/-B/-C**

**Front mounting switch  
without escutcheon**

**Four hole mounting  
36 x 36 mm**

**103M1 (IP66)**

| Complete switch                        | Poles   | Product line | Rated data (IEC 60947)             |                               |            | Order code number            |
|--|---------|--------------|------------------------------------|-------------------------------|------------|------------------------------|
|  |         |              | Operational current I <sub>e</sub> | Operational power at 380–440V |            |                              |
|  |         |              | AC-21A<br>A                        | AC-23A<br>kW                  | AC-3<br>kW |                              |
| ON-OFF Switches<br>Switching angle 90° | 3 ... 4 | H200-B       | 20                                 | 5,5                           | 3,7        | <b>H212 - 41 ... - 103M1</b> |
|  | 3 ... 4 | H200-A       | 20                                 | 5,5                           | 3,7        | <b>H216 - 41 ... - 103M1</b> |
|  |         |              | 25                                 | 7,5                           | 5,5        | <b>H220 - 41 ... - 103M1</b> |
|  |         |              | 32                                 | 11                            | 7,5        | <b>H226 - 41 ... - 103M1</b> |
|  |         |              | 40                                 | 15                            | 11         | <b>H233 - 41 ... - 103M1</b> |
|  | 3 ... 4 | H200-B       | 63                                 | 18,5                          | 15         | <b>H263 - 41 ... - 103M1</b> |

## SMD modules for basic switch A02

Mounting form module for 103M1  
(shaft shortened by 5 mm)

H200-A  
H200-B/-C

**BFA2 - 103**  
**BFB2 - 103**

M-handle black, mounting form 103M1  
(without escutcheon and legend plate)

H200-A/-B/-C

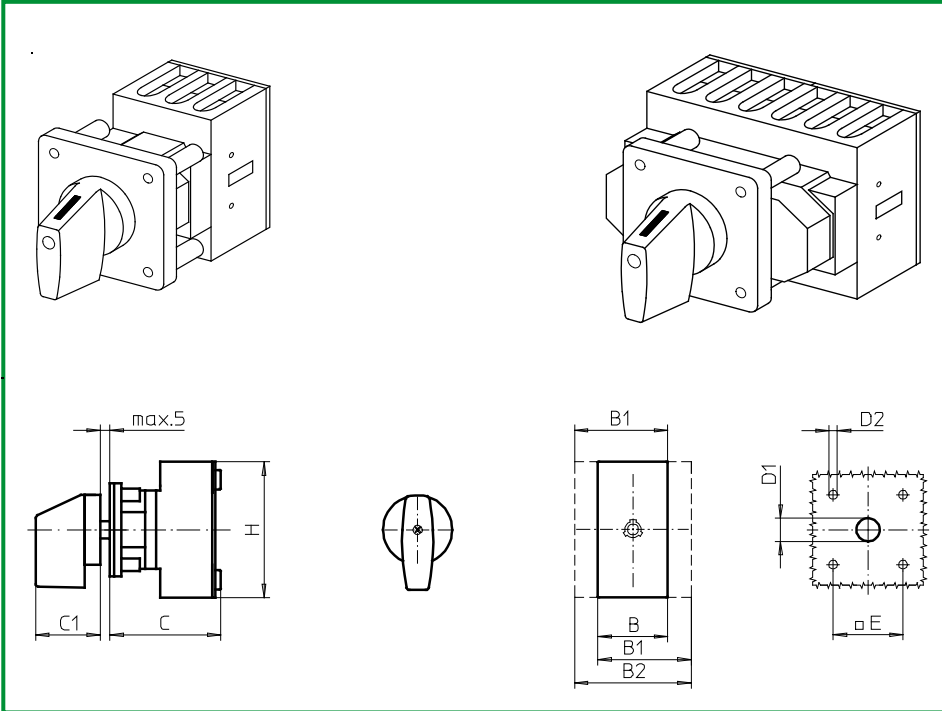
**2XM1**

## Dimensions (mm)

| Product lines | B  | B1 | B2 | C  | C1 | D1 | D2  | E  | H  |
|---------------|----|----|----|----|----|----|-----|----|----|
| H200-A        | 36 | 48 | 60 | 58 | 25 | 12 | 4,5 | 36 | 70 |
| H200-B        | 50 | 69 | 88 | 58 | 25 | 12 | 4,5 | 36 | 72 |
| H200-C        | 45 | -  | -  | 50 | 25 | 12 | 4,5 | 36 | 45 |

# Front Mounting Switches

**sälzer**



**Product lines**  
H200-A/-B/-C/-D/-E

**Front mounting switch**  
Operator module of next size  
without escutcheon

**Four hole mounting**  
48 x 48 mm

**113M1** (IP66)

| Complete switch                            | Poles   | Product line | Rated data (IEC 60947)             |                               |            | Order code number     |
|--|---------|--------------|------------------------------------|-------------------------------|------------|-----------------------|
|  |         |              | Operational current I <sub>e</sub> | Operational power at 380–440V |            |                       |
|  |         |              | AC-21A<br>A                        | AC-23A<br>kW                  | AC-3<br>kW |                       |
| ON-OFF Switches<br>Switching angle 90°     | 3 ... 4 | H200-C       | 20                                 | 5,5                           | 3,7        | H212 - 41 ... - 113M1 |
|  | 3 ... 8 | H200-A/-D    | 20                                 | 5,5                           | 3,7        | H216 - 41 ... - 113M1 |
|  |         |              | 25                                 | 7,5                           | 5,5        | H220 - 41 ... - 113M1 |
|  |         |              | 32                                 | 11                            | 7,5        | H226 - 41 ... - 113M1 |
|  |         |              | 40                                 | 15                            | 11         | H233 - 41 ... - 113M1 |
|  | 3 ... 4 | H200-B       | 63                                 | 18,5                          | 15         | H263 - 41 ... - 113M1 |
| Changeover with OFF<br>Switching angle 90° | 3 ... 4 | H200-E       | 20                                 | 5,5                           | 3,7        | H216 - 71 ... - 113M1 |
|  |         |              | 25                                 | 7,5                           | 5,5        | H220 - 71 ... - 113M1 |
|  |         |              | 32                                 | 11                            | 7,5        | H226 - 71 ... - 113M1 |
|  |         |              | 40                                 | 15                            | 11         | H233 - 71 ... - 113M1 |

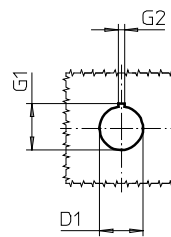
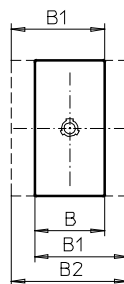
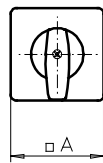
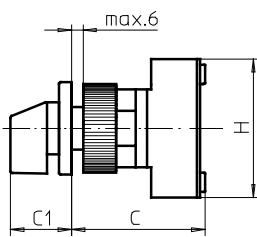
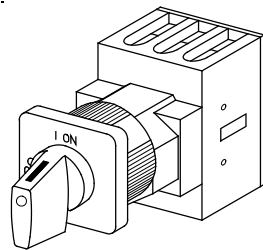
| SMD modules for basic switch A02   |                           |                          |
|--|---------------------------|--------------------------|
| Mounting form module for 113M1<br>(shaft shortened by 5 mm)                  | H200-A<br>H200-B/-C/-D/-E | BFA2 - 036<br>BFB2 - 036 |
| M-handle black, mounting form 113M1<br>(without escutcheon and legend plate) | H200-A/-B/-C/-D/-E        | 4XM1                     |

| Dimensions (mm) |    |    |    |    |    |    |    |    |    |
|-----------------|----|----|----|----|----|----|----|----|----|
| Product lines   | B  | B1 | B2 | C  | C1 | D1 | D2 | E  | H  |
| H200-A          | 36 | 48 | 60 | 58 | 30 | 15 | 5  | 48 | 70 |
| H200-B          | 50 | 69 | 88 | 58 | 30 | 15 | 5  | 48 | 72 |
| H200-C          | 45 | -  | -  | 50 | 30 | 15 | 5  | 48 | 45 |
| H200-D          | 72 | 84 | 96 | 66 | 30 | 15 | 5  | 48 | 70 |
| H200-E          | 72 | 84 | 96 | 66 | 30 | 15 | 5  | 48 | 70 |



# Front Mounting Switches

**sälzer**



**Product lines  
H200-A/-B/-C**

**Front mounting switch**

**Single hole mounting**  
ø 22,5 mm

**219M1** (IP66)

| Complete switch                        | Poles   | Product lines | Rated data (IEC 60947)             |                               |                              | Order code number            |
|--|---------|---------------|------------------------------------|-------------------------------|------------------------------|------------------------------|
|  |         |               | Operational current I <sub>e</sub> | Operational power at 380–440V |                              |                              |
|  |         |               | AC-21A<br>A                        | AC-23A<br>kW                  | AC-3<br>kW                   |                              |
| ON-OFF Switches<br>Switching angle 90° | 3 ... 4 | H200-C        | 20                                 | 5,5                           | 3,7                          | <b>H212 - 41 ... - 219M1</b> |
|  |         | H200-A        | 20                                 | 5,5                           | 3,7                          | <b>H216 - 41 ... - 219M1</b> |
|  | 25      |               | 7,5                                | 5,5                           | <b>H220 - 41 ... - 219M1</b> |                              |
|  | 32      |               | 11                                 | 7,5                           | <b>H226 - 41 ... - 219M1</b> |                              |
|  | 40      |               | 15                                 | 11                            | <b>H233 - 41 ... - 219M1</b> |                              |
|  | 3 ... 4 | H200-B        | 63                                 | 18,5                          | 15                           | <b>H263 - 41 ... - 219M1</b> |

## SMD modules for basic switch A01

Mounting form module for 219M1

H200-A  
H200-B/-C

**BFA2 - 219**  
**BFB2 - 219**

M-operator module 48 x 48 mm, mounting form 219M1  
Escutcheon black, handle black

H200-A/-B/-C

**2DM1**

Legend plate silver, operator module 219M1

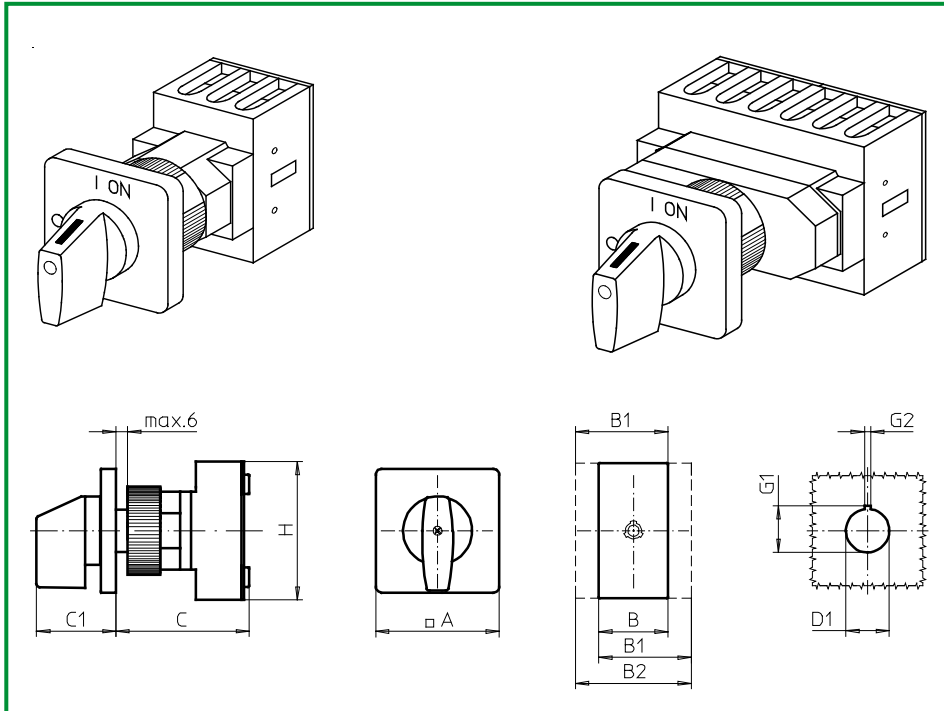
**FAS2 - 9...** (FA number)

## Dimensions (mm)

| Product lines | A  | B  | B1 | B2 | C  | C1 | D1   | G1   | G2  | H  |
|---------------|----|----|----|----|----|----|------|------|-----|----|
| H200-A        | 48 | 36 | 48 | 60 | 75 | 32 | 22,5 | 24,2 | 3,2 | 70 |
| H200-B        | 48 | 50 | 69 | 88 | 75 | 32 | 22,5 | 24,2 | 3,2 | 72 |
| H200-C        | 48 | 45 | -  | -  | 70 | 32 | 22,5 | 24,2 | 3,2 | 45 |

# Front Mounting Switches

**sälzer**



**Product lines  
H200-A/-B/-C/-D/-E**

**Front mounting switch**  
Operator module of next size

**Single hole mounting**  
ø 22,5 mm

**214M1** (IP66)

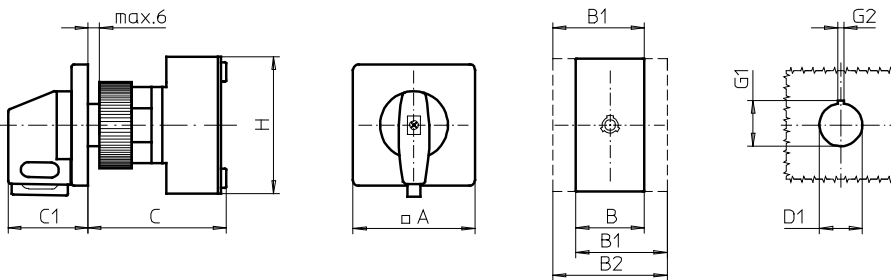
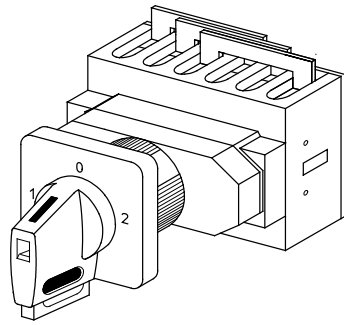
| Complete switch                            | Poles   | Product lines | Rated data (IEC 60947)             |                               |                              | Order code number            |
|--|---------|---------------|------------------------------------|-------------------------------|------------------------------|------------------------------|
|  |         |               | Operational current I <sub>e</sub> | Operational power at 380–440V |                              |                              |
|  |         |               | AC-21A<br>A                        | AC-23A<br>kW                  | AC-3<br>kW                   |                              |
| ON-OFF Switches<br>Switching angle 90°     | 3 ... 4 | H200-C        | 20                                 | 5,5                           | 3,7                          | <b>H212 - 41 ... - 214M1</b> |
|  | 3 ... 8 | H200-A/-D     | 20                                 | 5,5                           | 3,7                          | <b>H216 - 41 ... - 214M1</b> |
|  |         |               | 25                                 | 7,5                           | 5,5                          | <b>H220 - 41 ... - 214M1</b> |
|  |         |               | 32                                 | 11                            | 7,5                          | <b>H226 - 41 ... - 214M1</b> |
|  |         |               | 40                                 | 15                            | 11                           | <b>H233 - 41 ... - 214M1</b> |
| 3 ... 4                                    | H200-B  | 63            | 18,5                               | 15                            | <b>H263 - 41 ... - 214M1</b> |                              |
| Changeover with OFF<br>Switching angle 90° | 3 ... 4 | H200-E        | 20                                 | 5,5                           | 3,7                          | <b>H216 - 71 ... - 214M1</b> |
|  |         |               | 25                                 | 7,5                           | 5,5                          | <b>H220 - 71 ... - 214M1</b> |
|  |         |               | 32                                 | 11                            | 7,5                          | <b>H226 - 71 ... - 214M1</b> |
|  |         |               | 40                                 | 15                            | 11                           | <b>H233 - 71 ... - 214M1</b> |

| SMD modules for basic switch A01  |                           |  |
|---|---------------------------|--|
| Mounting form module for 214M1  | H200-A<br>H200-B/-C/-D/-E | <b>BFA2 - 219</b><br><b>BFB2 - 219</b> |
| M-operator module 64 x 64 mm, mounting form 214M1<br>Escutcheon black, handle black | H200-A/-B/-C/-D/-E        | <b>2KM1</b>                            |
| Legend plate silver, operator module 214M1  |                           | <b>FAS4 - 9...</b> (FA number)         |

| Dimensions (mm) |    |    |    |    |    |    |      |      |     |    |
|-----------------|----|----|----|----|----|----|------|------|-----|----|
| Product lines   | A  | B  | B1 | B2 | C  | C1 | D1   | G1   | G2  | H  |
| H200-A          | 64 | 36 | 48 | 60 | 75 | 39 | 22,5 | 24,2 | 3,2 | 70 |
| H200-B          | 64 | 50 | 69 | 88 | 75 | 39 | 22,5 | 24,2 | 3,2 | 72 |
| H200-C          | 64 | 45 | -  | -  | 70 | 39 | 22,5 | 24,2 | 3,2 | 45 |
| H200-D          | 64 | 72 | 84 | 96 | 83 | 39 | 22,5 | 24,2 | 3,2 | 70 |
| H200-E          | 64 | 72 | 84 | 96 | 83 | 39 | 22,5 | 24,2 | 3,2 | 70 |

# Front Mounting Switches

**sälzer**



**Product line  
H200-E**

**Front mounting switch**  
Operator module of next size

**Single hole mounting**  
ø 22,5 mm

**214V1 (IP66)**  
**213V1 (IP66)**

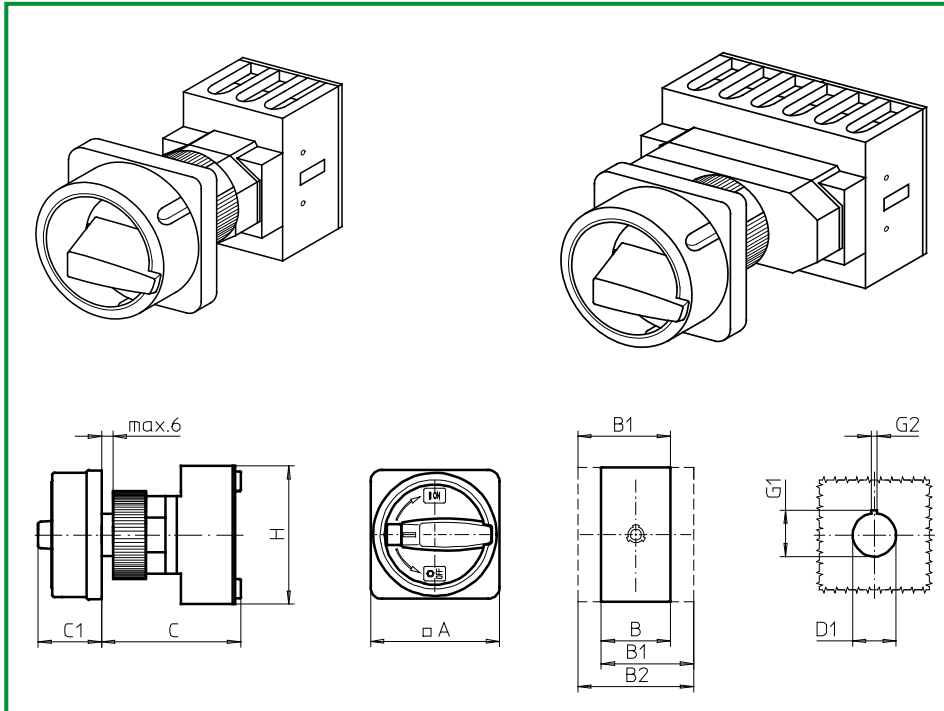
| Complete switch  | Poles   | Product lines | Rated data (IEC 60947)             |                               |            | Order code number            |
|--|---------|---------------|------------------------------------|-------------------------------|------------|------------------------------|
|  |         |               | Operational current I <sub>e</sub> | Operational power at 380–440V |            |                              |
|  |         |               | AC-21A<br>A                        | AC-23A<br>kW                  | AC-3<br>kW |                              |
| Changeover with OFF<br>Switching angle 90°<br>OFF position padlockable 12h             | 3 ... 4 | H200-E        | 20                                 | 5,5                           | 3,7        | <b>H216 - 71 ... - 214V1</b> |
|  |         |               | 25                                 | 7,5                           | 5,5        | <b>H220 - 71 ... - 214V1</b> |
|  |         |               | 32                                 | 11                            | 7,5        | <b>H226 - 71 ... - 214V1</b> |
|  |         |               | 40                                 | 15                            | 11         | <b>H233 - 71 ... - 214V1</b> |
| Changeover with OFF<br>Switching angle 90°<br>3 positions padlockable<br>(09h/12h/03h) | 3 ... 4 | H200-E        | 20                                 | 5,5                           | 3,7        | <b>H216 - 71 ... - 213V1</b> |
|  |         |               | 25                                 | 7,5                           | 5,5        | <b>H220 - 71 ... - 213V1</b> |
|  |         |               | 32                                 | 11                            | 7,5        | <b>H226 - 71 ... - 213V1</b> |
|  |         |               | 40                                 | 15                            | 11         | <b>H233 - 71 ... - 213V1</b> |

| SMD modules for basic switch A01  |        |                                |
|---|--------|--------------------------------|
| Mounting form module for 214V1/213V1  | H200-E | <b>BFB2 - 219</b>              |
| V-operator module 64 × 64 mm, mounting form 214V1<br>Escutcheon black, handle black |        | <b>2KV1 - 12</b>               |
| V-operator module 64 × 64 mm, mounting form 213V1<br>Escutcheon black, handle black |        | <b>2KV1 - 99</b>               |
| Legend plate silver, operator modules 214V1/213V1                                   |        | <b>FAS4 - 9...</b> (FA number) |

| Dimensions (mm) |    |    |    |    |    |    |      |      |     |    |
|-----------------|----|----|----|----|----|----|------|------|-----|----|
| Product lines   | A  | B  | B1 | B2 | C  | C1 | D1   | G1   | G2  | H  |
| H200-E          | 64 | 72 | 84 | 96 | 83 | 39 | 22,5 | 24,2 | 3,2 | 70 |

# Front Mounting Switches

**sälzer**



**Product lines  
H200-A/-B/-C/-D**

**Front mounting switch**

**Single hole mounting**  
ø 22,5 mm

**206M1** (IP66)

**206M4** (IP66)

| Complete switch   | Poles   | Product lines | Rated data (IEC 60947)             |                               |                              | Order code number            |
|---|---------|---------------|------------------------------------|-------------------------------|------------------------------|------------------------------|
|   |         |               | Operational current I <sub>e</sub> | Operational power at 380–440V |                              |                              |
|   |         |               | AC-21A<br>A                        | AC-23A<br>kW                  | AC-3<br>kW                   |                              |
| Main Switches<br>OFF position padlockable 09h               | 3 ... 4 | H200-C        | 20                                 | 5,5                           | 3,7                          | <b>H212 - 41 ... - 206M1</b> |
|   | 3 ... 8 | H200-A/-D     | 20                                 | 5,5                           | 3,7                          | <b>H216 - 41 ... - 206M1</b> |
|   |         |               | 25                                 | 7,5                           | 5,5                          | <b>H220 - 41 ... - 206M1</b> |
|   |         |               | 32                                 | 11                            | 7,5                          | <b>H226 - 41 ... - 206M1</b> |
|   |         |               | 40                                 | 15                            | 11                           | <b>H233 - 41 ... - 206M1</b> |
| 3 ... 4   | H200-B  | 63            | 18,5                               | 15                            | <b>H263 - 41 ... - 206M1</b> |                              |
| Main/Emergency-Off Switches<br>OFF position padlockable 09h | 3 ... 4 | H200-C        | 20                                 | 5,5                           | 3,7                          | <b>H212 - 41 ... - 206M4</b> |
|   | 3 ... 8 | H200-A/-D     | 20                                 | 5,5                           | 3,7                          | <b>H216 - 41 ... - 206M4</b> |
|   |         |               | 25                                 | 7,5                           | 5,5                          | <b>H220 - 41 ... - 206M4</b> |
|   |         |               | 32                                 | 11                            | 7,5                          | <b>H226 - 41 ... - 206M4</b> |
|   |         |               | 40                                 | 15                            | 11                           | <b>H233 - 41 ... - 206M4</b> |
| 3 ... 4   | H200-B  | 63            | 18,5                               | 15                            | <b>H263 - 41 ... - 206M4</b> |                              |

### SMD modules for basic switch A01

Mounting form module for 206M.

H200-A  
H200-B/-C/-D  
H200-A/-B/-C/-D

**BFA2 - 219**  
**BFB2 - 219**

M-padlock device 67 × 67 mm, mounting form 206M1  
Escutcheon black, padlockable handle black

**2FM1**

M-padlock device 67 × 67 mm, mounting form 206M4  
Escutcheon yellow, padlockable handle red

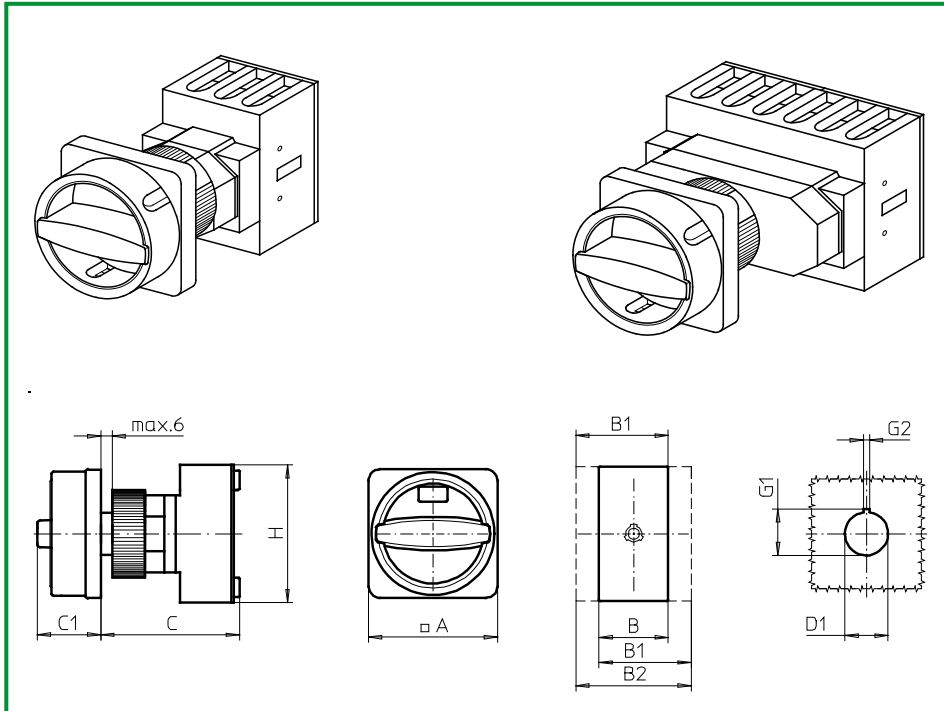
**2FM4**

### Dimensions (mm)

| Product lines | A  | B  | B1 | B2 | C  | C1 | D1   | G1   | G2  | H  |
|---------------|----|----|----|----|----|----|------|------|-----|----|
| H200-A        | 67 | 36 | 48 | 60 | 75 | 38 | 22,5 | 24,2 | 3,2 | 70 |
| H200-B        | 67 | 50 | 69 | 88 | 75 | 38 | 22,5 | 24,2 | 3,2 | 72 |
| H200-C        | 67 | 45 | -  | -  | 70 | 38 | 22,5 | 24,2 | 3,2 | 50 |
| H200-D        | 67 | 72 | 84 | 96 | 83 | 38 | 22,5 | 24,2 | 3,2 | 70 |

# Front Mounting Switches

**sälzer**



**Product lines  
H200-A/-B/-C/-D**

**Front mounting switch**

**Single hole mounting**  
ø 22,5 mm

**206N1 (IP66)**  
**206N4 (IP66)**

| Complete switch   | Poles   | Product lines | Rated data (IEC 60947)             |                               |                              | Order code number            |
|---|---------|---------------|------------------------------------|-------------------------------|------------------------------|------------------------------|
|   |         |               | Operational current I <sub>e</sub> | Operational power at 380–440V |                              |                              |
|   |         |               | AC-21A<br>A                        | AC-23A<br>kW                  | AC-3<br>kW                   |                              |
| Main Switches<br>OFF position padlockable 12h               | 3 ... 4 | H200-C        | 20                                 | 5,5                           | 3,7                          | <b>H212 - 41 ... - 206N1</b> |
|   | 3 ... 8 | H200-A/-D     | 20                                 | 5,5                           | 3,7                          | <b>H216 - 41 ... - 206N1</b> |
|   |         |               | 25                                 | 7,5                           | 5,5                          | <b>H220 - 41 ... - 206N1</b> |
|   |         |               | 32                                 | 11                            | 7,5                          | <b>H226 - 41 ... - 206N1</b> |
|   |         |               | 40                                 | 15                            | 11                           | <b>H233 - 41 ... - 206N1</b> |
| 3 ... 4   | H200-B  | 63            | 18,5                               | 15                            | <b>H263 - 41 ... - 206N1</b> |                              |
| Main/Emergency-Off Switches<br>OFF position padlockable 12h | 3 ... 4 | H200-C        | 20                                 | 5,5                           | 3,7                          | <b>H212 - 41 ... - 206N4</b> |
|   | 3 ... 8 | H200-A/-D     | 20                                 | 5,5                           | 3,7                          | <b>H216 - 41 ... - 206N4</b> |
|   |         |               | 25                                 | 7,5                           | 5,5                          | <b>H220 - 41 ... - 206N4</b> |
|   |         |               | 32                                 | 11                            | 7,5                          | <b>H226 - 41 ... - 206N4</b> |
|   |         |               | 40                                 | 15                            | 11                           | <b>H233 - 41 ... - 206N4</b> |
| 3 ... 4   | H200-B  | 63            | 18,5                               | 15                            | <b>H263 - 41 ... - 206N4</b> |                              |

### SMD modules for basic switch A01

Mounting form module for 206N.

H200-A  
H200-B/-C/-D  
H200-A/-B/-C/-D

**BFA2 - 219**  
**BFB2 - 219**

N-padlock device 67 × 67 mm, mounting form 206N1  
Escutcheon black, padlockable handle black

**2FN1**

N-padlock device 67 × 67 mm, mounting form 206N4  
Escutcheon yellow, padlockable handle red

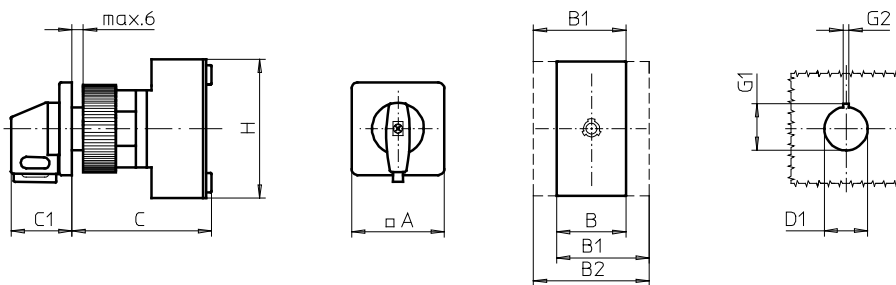
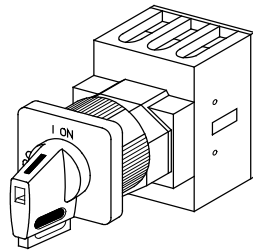
**2FN4**

### Dimensions (mm)

| Product lines | A  | B  | B1 | B2 | C  | C1 | D1   | G1   | G2  | H  |
|---------------|----|----|----|----|----|----|------|------|-----|----|
| H200-A        | 67 | 36 | 48 | 60 | 75 | 33 | 22,5 | 24,2 | 3,2 | 70 |
| H200-B        | 67 | 50 | 69 | 88 | 75 | 33 | 22,5 | 24,2 | 3,2 | 72 |
| H200-C        | 67 | 45 | -  | -  | 70 | 33 | 22,5 | 24,2 | 3,2 | 45 |
| H200-D        | 67 | 72 | 84 | 96 | 83 | 33 | 22,5 | 24,2 | 3,2 | 70 |

# Front Mounting Switches

**sälzer**



**Product lines  
H200-A/-B/-C**

**Front mounting switch**

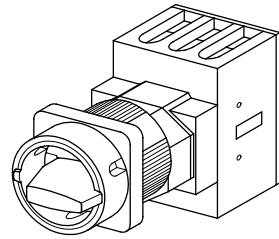
**Single hole mounting**  
ø 22,5 mm

**206V1 (IP66)**  
**206V4 (IP66)**

| Complete switch   | Poles   | Product lines | Rated data (IEC 60947)             |                               |  | Order code number            |      |      |     |    |
|---|---------|---------------|------------------------------------|-------------------------------|--|------------------------------|------|------|-----|----|
|   |         |               | Operational current I <sub>e</sub> | Operational power at 380–440V |  |                              |      |      |     |    |
|   |         |               | AC-21A<br>A                        | AC-23A<br>kW                  | AC-3<br>kW                             |                              |      |      |     |    |
| Main Switches<br>OFF position padlockable 09h                                       | 3 ... 4 | H200-C        | 20                                 | 5,5                           | 3,7                                    | <b>H212 - 41 ... - 206V1</b> |      |      |     |    |
|   | 3 ... 4 | H200-A        | 20                                 | 5,5                           | 3,7                                    | <b>H216 - 41 ... - 206V1</b> |      |      |     |    |
|   |         |               | 25                                 | 7,5                           | 5,5                                    | <b>H220 - 41 ... - 206V1</b> |      |      |     |    |
|   |         |               | 32                                 | 11                            | 7,5                                    | <b>H226 - 41 ... - 206V1</b> |      |      |     |    |
|   |         |               | 40                                 | 15                            | 11                                     | <b>H233 - 41 ... - 206V1</b> |      |      |     |    |
| 3 ... 4   | H200-B  | 63            | 18,5                               | 15                            | <b>H263 - 41 ... - 206V1</b>           |                              |      |      |     |    |
| Main/Emergency-Off Switches<br>OFF position padlockable 09h                         | 3 ... 4 | H200-C        | 20                                 | 5,5                           | 3,7                                    | <b>H212 - 41 ... - 206V4</b> |      |      |     |    |
|   | 3 ... 4 | H200-A        | 20                                 | 5,5                           | 3,7                                    | <b>H216 - 41 ... - 206V4</b> |      |      |     |    |
|   |         |               | 25                                 | 7,5                           | 5,5                                    | <b>H220 - 41 ... - 206V4</b> |      |      |     |    |
|   |         |               | 32                                 | 11                            | 7,5                                    | <b>H226 - 41 ... - 206V4</b> |      |      |     |    |
|   |         |               | 40                                 | 15                            | 11                                     | <b>H233 - 41 ... - 206V4</b> |      |      |     |    |
| 3 ... 4   | H200-B  | 63            | 18,5                               | 15                            | <b>H263 - 41 ... - 206V4</b>           |                              |      |      |     |    |
| <b>SMD modules for basic switch A01</b>   |         |               |                                    |                               |  |                              |      |      |     |    |
| Mounting form module for 206V.  |         |               | H200-A<br>H200-B/-C                |                               | <b>BFA2 - 219</b><br><b>BFB2 - 219</b> |                              |      |      |     |    |
| V-operator module 48 × 48 mm, mounting form 206V1<br>Escutcheon black, handle black |         |               | H200-A/-B/-C                       |                               | <b>2DV1 - 09</b>                       |                              |      |      |     |    |
| Legend plate silver, operator module 206V1  |         |               |                                    |                               | <b>FAS2 - 9078</b>                     |                              |      |      |     |    |
| V-operator module 48 × 48 mm, mounting form 206V4<br>Escutcheon black, handle red   |         |               |                                    |                               | <b>2DV4 - 09</b>                       |                              |      |      |     |    |
| Legend plate yellow, operator module 206V4  |         |               |                                    |                               | <b>FBS2 - 9078</b>                     |                              |      |      |     |    |
| <b>Dimensions (mm)</b>  |         |               |                                    |                               |  |                              |      |      |     |    |
| Product lines   | A       | B             | B1                                 | B2                            | C                                      | C1                           | D1   | G1   | G2  | H  |
| H200-A  | 48      | 36            | 48                                 | 60                            | 75                                     | 32                           | 22,5 | 24,2 | 3,2 | 70 |
| H200-B  | 48      | 50            | 69                                 | 88                            | 75                                     | 32                           | 22,5 | 24,2 | 3,2 | 72 |
| H200-C  | 48      | 45            | -                                  | -                             | 70                                     | 32                           | 22,5 | 24,2 | 3,2 | 45 |

# Front Mounting Switches

**sälzer**

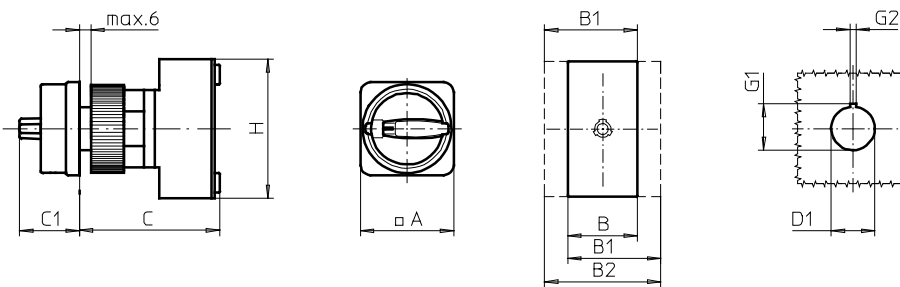


**Product lines  
H200-A/-B/-C**

**Front mounting switch**

**Single hole mounting**  
ø 22,5 mm

**205M1** (IP66)  
**205M4** (IP66)



| Complete switch   | Poles   | Product lines | Rated data (IEC 60947)             |                               |            | Order code number            |
|---|---------|---------------|------------------------------------|-------------------------------|------------|------------------------------|
|   |         |               | Operational current I <sub>e</sub> | Operational power at 380–440V |            |                              |
|   |         |               | AC-21A<br>A                        | AC-23A<br>kW                  | AC-3<br>kW |                              |
| Main Switches<br>OFF position padlockable 09h               | 3 ... 4 | H200-C        | 20                                 | 5,5                           | 3,7        | <b>H212 - 41 ... - 205M1</b> |
|   | 3 ... 4 | H200-A        | 20                                 | 5,5                           | 3,7        | <b>H216 - 41 ... - 205M1</b> |
|   |         |               | 25                                 | 7,5                           | 5,5        | <b>H220 - 41 ... - 205M1</b> |
|   |         |               | 32                                 | 11                            | 7,5        | <b>H226 - 41 ... - 205M1</b> |
|   |         |               | 40                                 | 15                            | 11         | <b>H233 - 41 ... - 205M1</b> |
|   |         |               | 63                                 | 18,5                          | 15         | <b>H263 - 41 ... - 205M1</b> |
| Main/Emergency-Off Switches<br>OFF position padlockable 09h | 3 ... 4 | H200-C        | 20                                 | 5,5                           | 3,7        | <b>H212 - 41 ... - 205M4</b> |
|   | 3 ... 4 | H200-A        | 20                                 | 5,5                           | 3,7        | <b>H216 - 41 ... - 205M4</b> |
|   |         |               | 25                                 | 7,5                           | 5,5        | <b>H220 - 41 ... - 205M4</b> |
|   |         |               | 32                                 | 11                            | 7,5        | <b>H226 - 41 ... - 205M4</b> |
|   |         |               | 40                                 | 15                            | 11         | <b>H233 - 41 ... - 205M4</b> |
|   |         |               | 63                                 | 18,5                          | 15         | <b>H263 - 41 ... - 205M4</b> |

### SMD modules for basic switch A01

Mounting form module for 205M.

H200-A  
H200-B/-C

**BFA2 - 219**  
**BFB2 - 219**

M-padlock device 48 x 48 mm, mounting form 205M1  
Escutcheon black, padlockable handle black

H200-A/-B/-C

**2EM1**

M-padlock device 48 x 48 mm, mounting form 205M4  
Escutcheon yellow, padlockable handle red

**2EM4**

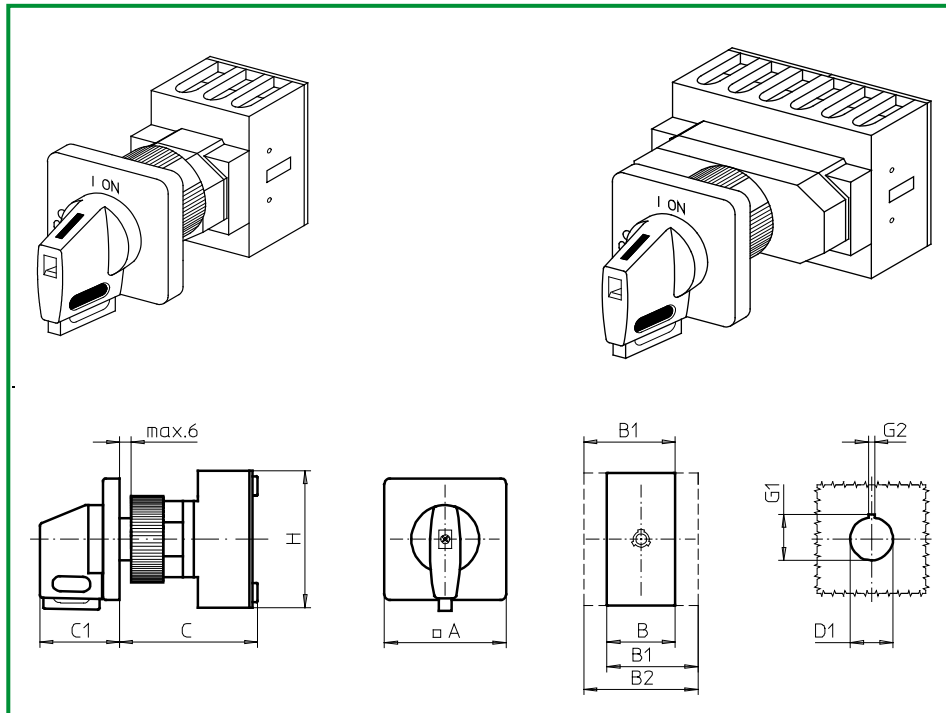
### Dimensions (mm)

| Product lines | A  | B  | B1 | B2 | C  | C1 | D1   | G1   | G2  | H  |
|---------------|----|----|----|----|----|----|------|------|-----|----|
| H200-A        | 48 | 36 | 48 | 60 | 75 | 31 | 22,5 | 24,2 | 3,2 | 70 |
| H200-B        | 48 | 50 | 69 | 88 | 75 | 31 | 22,5 | 24,2 | 3,2 | 72 |
| H200-C        | 48 | 45 | -  | -  | 70 | 31 | 22,5 | 24,2 | 3,2 | 45 |



# Front Mounting Switches

**sälzer**



**Product lines  
H200-A/-B/-C/-D**

**Front mounting switch**  
Operator module of next size

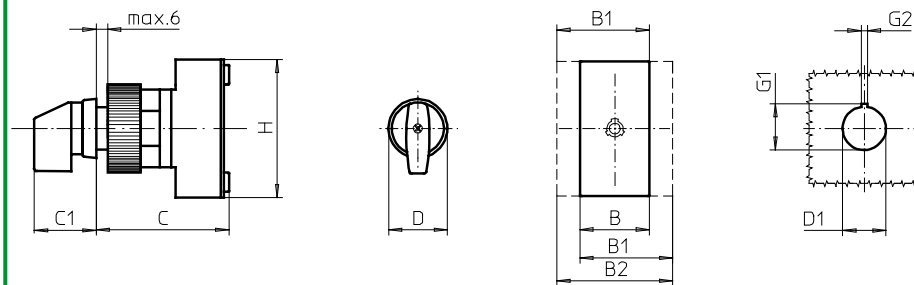
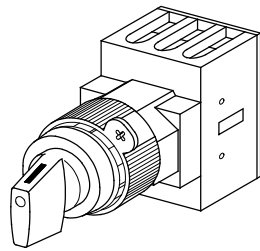
**Single hole mounting**  
ø 22,5 mm

**226V1 (IP66)**  
**226V4 (IP66)**

| Complete switch   | Poles    | Product lines | Rated data (IEC 60947)             |                               |  | Order code number            |           |           |           |          |
|---|----------|---------------|------------------------------------|-------------------------------|--|------------------------------|-----------|-----------|-----------|----------|
|   |          |               | Operational current I <sub>e</sub> | Operational power at 380–440V |  |                              |           |           |           |          |
|   |          |               | AC-21A<br>A                        | AC-23A<br>kW                  | AC-3<br>kW                             |                              |           |           |           |          |
| Main Switches<br>OFF position padlockable 09h                                       | 3 ... 4  | H200-C        | 20                                 | 5,5                           | 3,7                                    | <b>H212 - 41 ... - 226V1</b> |           |           |           |          |
|   | 3 ... 8  | H200-A/-D     | 20                                 | 5,5                           | 3,7                                    | <b>H216 - 41 ... - 226V1</b> |           |           |           |          |
|   |          |               | 25                                 | 7,5                           | 5,5                                    | <b>H220 - 41 ... - 226V1</b> |           |           |           |          |
|   |          |               | 32                                 | 11                            | 7,5                                    | <b>H226 - 41 ... - 226V1</b> |           |           |           |          |
|   |          |               | 40                                 | 15                            | 11                                     | <b>H233 - 41 ... - 226V1</b> |           |           |           |          |
| 3 ... 4   | H200-B   | 63            | 18,5                               | 15                            | <b>H263 - 41 ... - 226V1</b>           |                              |           |           |           |          |
| Main/Emergency-Off Switches<br>OFF position padlockable 09h                         | 3 ... 4  | H200-C        | 20                                 | 5,5                           | 3,7                                    | <b>H212 - 41 ... - 226V4</b> |           |           |           |          |
|   | 3 ... 8  | H200-A/-D     | 20                                 | 5,5                           | 3,7                                    | <b>H216 - 41 ... - 226V4</b> |           |           |           |          |
|   |          |               | 25                                 | 7,5                           | 5,5                                    | <b>H220 - 41 ... - 226V4</b> |           |           |           |          |
|   |          |               | 32                                 | 11                            | 7,5                                    | <b>H226 - 41 ... - 226V4</b> |           |           |           |          |
|   |          |               | 40                                 | 15                            | 11                                     | <b>H233 - 41 ... - 226V4</b> |           |           |           |          |
| 3 ... 4   | H200-B   | 63            | 18,5                               | 15                            | <b>H263 - 41 ... - 226V4</b>           |                              |           |           |           |          |
| <b>SMD modules for basic switch A01</b>   |          |               |                                    |                               |  |                              |           |           |           |          |
| Mounting form module for 226V.  |          |               | H200-A<br>H200-B/-C/-D             |                               | <b>BFA2 - 219</b><br><b>BFB2 - 219</b> |                              |           |           |           |          |
| V-operator module 64 × 64 mm, mounting form 226V1<br>Escutcheon black, handle black |          |               | H200-A/-B/-C/-D                    |                               | <b>2KV1 - 09</b>                       |                              |           |           |           |          |
| Legend plate silver, operator module 226V1  |          |               |                                    |                               | <b>FAS4 - 9078</b>                     |                              |           |           |           |          |
| V-operator module 64 × 64 mm, mounting form 226V4<br>Escutcheon black, handle red   |          |               |                                    |                               | <b>2KV4 - 09</b>                       |                              |           |           |           |          |
| Legend plate yellow, operator module 226V4  |          |               |                                    |                               | <b>FBS4 - 9078</b>                     |                              |           |           |           |          |
| <b>Dimensions (mm)</b>  |          |               |                                    |                               |  |                              |           |           |           |          |
| <b>Product lines</b>  | <b>A</b> | <b>B</b>      | <b>B1</b>                          | <b>B2</b>                     | <b>C</b>                               | <b>C1</b>                    | <b>D1</b> | <b>G1</b> | <b>G2</b> | <b>H</b> |
| H200-A  | 64       | 36            | 48                                 | 60                            | 75                                     | 39                           | 22,5      | 24,2      | 3,2       | 70       |
| H200-B  | 64       | 50            | 69                                 | 88                            | 75                                     | 39                           | 22,5      | 24,2      | 3,2       | 72       |
| H200-C  | 64       | 45            | -                                  | -                             | 70                                     | 39                           | 22,5      | 24,2      | 3,2       | 45       |
| H200-D  | 64       | 72            | 84                                 | 96                            | 83                                     | 39                           | 22,5      | 24,2      | 3,2       | 70       |

# Front Mounting Switches

**sälzer**



**Product lines  
H200-A/-B/-C**

**Front mounting switch  
with front ring**

**Single hole mounting  
ø 22,5 mm**

**218M1 (IP66)**

| Complete switch                        | Poles   | Product lines | Rated data (IEC 60947)             |                               |                              | Order code number            |
|--|---------|---------------|------------------------------------|-------------------------------|------------------------------|------------------------------|
|  |         |               | Operational current I <sub>e</sub> | Operational power at 380–440V |                              |                              |
|  |         |               | AC-21A<br>A                        | AC-23A<br>kW                  | AC-3<br>kW                   |                              |
| ON-OFF Switches<br>Switching angle 90° | 3 ... 4 | H200-C        | 20                                 | 5,5                           | 3,7                          | <b>H212 - 41 ... - 218M1</b> |
|  |         | H200-A        | 20                                 | 5,5                           | 3,7                          | <b>H216 - 41 ... - 218M1</b> |
|  | 25      |               | 7,5                                | 5,5                           | <b>H220 - 41 ... - 218M1</b> |                              |
|  | 32      |               | 11                                 | 7,5                           | <b>H226 - 41 ... - 218M1</b> |                              |
|  | 40      |               | 15                                 | 11                            | <b>H233 - 41 ... - 218M1</b> |                              |
|  | 3 ... 4 | H200-B        | 63                                 | 18,5                          | 15                           | <b>H263 - 41 ... - 218M1</b> |

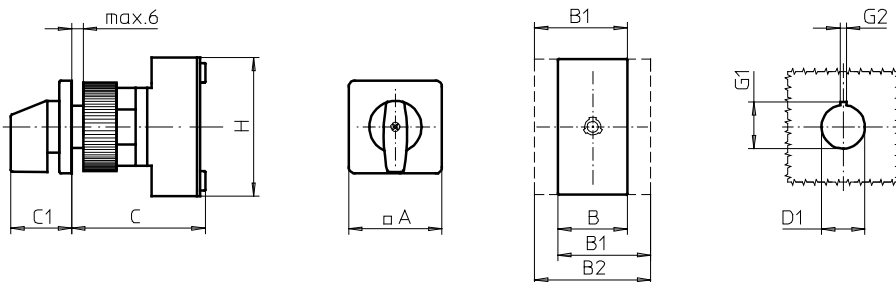
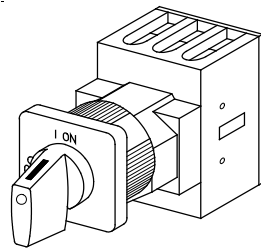
| SMD modules for basic switch A01  |  |                     |  |
|---|--|---------------------|--|
| Mounting form module for 218M1  |  | H200-A<br>H200-B/-C | <b>BFA2 - 219</b><br><b>BFB2 - 219</b> |
| Front ring black ø 30,5 mm<br>M-handle black, mounting form 218M1<br>(Front ring without inscription) |  | H200-A/-B/-C        | <b>2HM1</b>                            |

| Dimensions (mm) |    |    |    |    |      |    |      |      |     |    |
|-----------------|----|----|----|----|------|----|------|------|-----|----|
| Product lines   | B  | B1 | B2 | C  | C1   | D  | D1   | G1   | G2  | H  |
| H200-A          | 36 | 48 | 60 | 75 | 31,5 | 31 | 22,5 | 24,2 | 3,2 | 70 |
| H200-B          | 50 | 69 | 88 | 75 | 31,5 | 31 | 22,5 | 24,2 | 3,2 | 72 |
| H200-C          | 45 | -  | -  | 70 | 31,5 | 31 | 22,5 | 24,2 | 3,2 | 45 |

# Front Mounting Switches

**sälzer**



**Product lines  
H200-A/-B/-C**

**Front mounting switch**

**Single hole mounting  
ø 30,5 mm**

**209M1 (IP66)**

| Complete switch                        | Poles   | Product lines | Rated data (IEC 60947)             |                               |                              | Order code number            |
|--|---------|---------------|------------------------------------|-------------------------------|------------------------------|------------------------------|
|  |         |               | Operational current I <sub>e</sub> | Operational power at 380–440V |                              |                              |
|  |         |               | AC-21A<br>A                        | AC-23A<br>kW                  | AC-3<br>kW                   |                              |
| ON-OFF Switches<br>Switching angle 90° | 3 ... 4 | H200-C        | 20                                 | 5,5                           | 3,7                          | <b>H212 - 41 ... - 209M1</b> |
|  |         | H200-A        | 20                                 | 5,5                           | 3,7                          | <b>H216 - 41 ... - 209M1</b> |
|  | 25      |               | 7,5                                | 5,5                           | <b>H220 - 41 ... - 209M1</b> |                              |
|  | 32      |               | 11                                 | 7,5                           | <b>H226 - 41 ... - 209M1</b> |                              |
|  | 40      |               | 15                                 | 11                            | <b>H233 - 41 ... - 209M1</b> |                              |
|  | 3 ... 4 | H200-B        | 63                                 | 22                            | 18,5                         | <b>H263 - 41 ... - 209M1</b> |

### SMD modules for basic switch A01

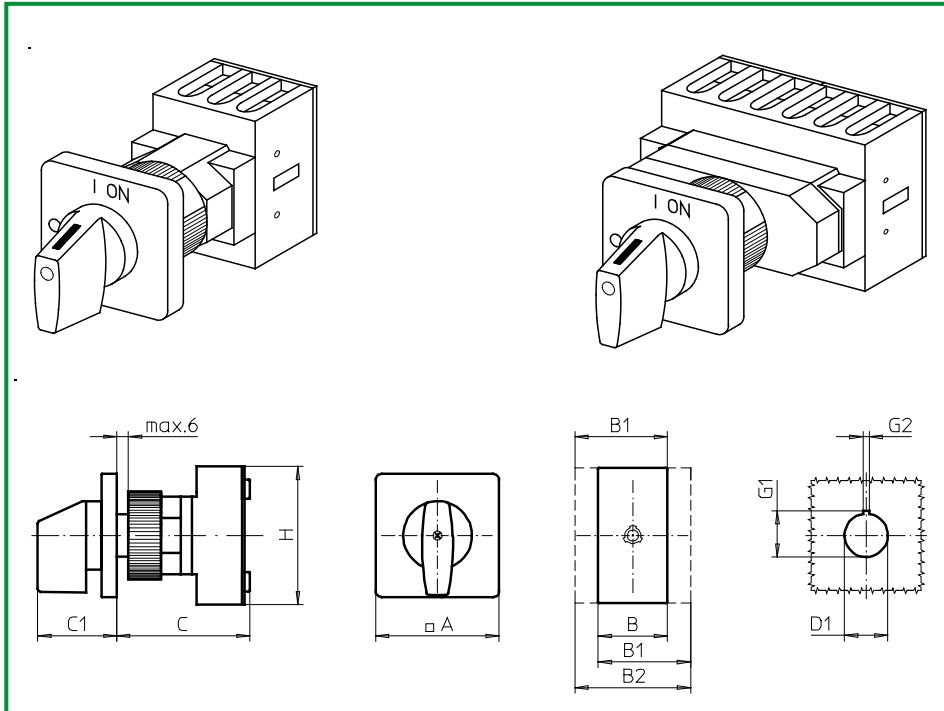
|   |                     |  |
|---|---------------------|--|
| Mounting form module for 209M1  | H200-A<br>H200-B/-C | <b>BFA2 - 219</b><br><b>BFB2 - 219</b> |
| M-operator module 48 x 48 mm, mounting form 209M1<br>Escutcheon black, handle black | H200-A/-B/-C        | <b>2DM1 - 30</b>                       |
| Legend plate silver, operator module 209M1  |                     | <b>FAS2 - 9...</b> (FA number)         |

### Dimensions (mm)

| Product lines | A  | B  | B1 | B2 | C  | C1 | D1   | G1 | G2  | H  |
|---------------|----|----|----|----|----|----|------|----|-----|----|
| H200-A        | 48 | 36 | 48 | 60 | 75 | 32 | 30,5 | 33 | 4,8 | 70 |
| H200-B        | 48 | 50 | 69 | 88 | 75 | 32 | 30,5 | 33 | 4,8 | 72 |
| H200-C        | 48 | 45 | -  | -  | 70 | 32 | 30,5 | 33 | 4,8 | 45 |

# Front Mounting Switches

**sälzer**



**Product lines  
H200-A/-B/-C/-D/-E**

**Front mounting switch**  
Operator module of next size

**Single hole mounting**  
ø 30,5 mm

**204M1** (IP66)

| Complete switch                            | Poles   | Product lines | Rated data (IEC 60947)             |                               |                              | Order code number            |
|--|---------|---------------|------------------------------------|-------------------------------|------------------------------|------------------------------|
|  |         |               | Operational current I <sub>e</sub> | Operational power at 380–440V |                              |                              |
|  |         |               | AC-21A<br>A                        | AC-23A<br>kW                  | AC-3<br>kW                   |                              |
| ON-OFF Switches<br>Switching angle 90°     | 3 ... 4 | H200-C        | 20                                 | 5,5                           | 3,7                          | <b>H212 - 41 ... - 204M1</b> |
|  | 3 ... 8 | H200-A/-D     | 20                                 | 5,5                           | 3,7                          | <b>H216 - 41 ... - 204M1</b> |
|  |         |               | 25                                 | 7,5                           | 5,5                          | <b>H220 - 41 ... - 204M1</b> |
|  |         |               | 32                                 | 11                            | 7,5                          | <b>H226 - 41 ... - 204M1</b> |
|  |         |               | 40                                 | 15                            | 11                           | <b>H233 - 41 ... - 204M1</b> |
| 3 ... 4                                    | H200-B  | 63            | 22                                 | 18,5                          | <b>H263 - 41 ... - 204M1</b> |                              |
| Changeover with OFF<br>Switching angle 90° | 3 ... 4 | H200-E        | 20                                 | 5,5                           | 3,7                          | <b>H216 - 71 ... - 204M1</b> |
|  |         |               | 25                                 | 7,5                           | 5,5                          | <b>H220 - 71 ... - 204M1</b> |
|  |         |               | 32                                 | 11                            | 7,5                          | <b>H226 - 71 ... - 204M1</b> |
|  |         |               | 40                                 | 22                            | 18,5                         | <b>H233 - 71 ... - 204M1</b> |

## SMD modules for basic switch A01

Mounting form module for 204M1

H200-A  
H200-B/-C/-D/-E

**BFA2 - 219**  
**BFB2 - 219**

M-operator module 64 × 64 mm, mounting form 204M1  
Escutcheon black, handle black

H200-A/-B/-C/-D/-E

**2KM1 - 30**

Legend plate silver, operator module 204M1

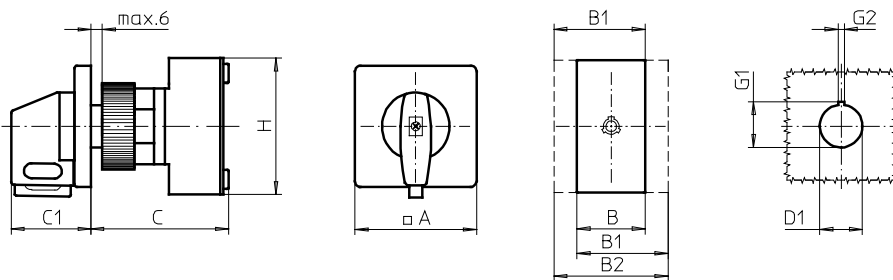
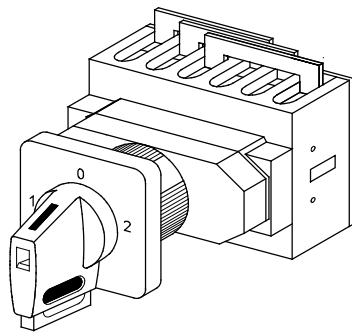
**FAS4 - 9...** (FA number)

## Dimensions (mm)

| Product lines | A  | B  | B1 | B2 | C  | C1 | D1   | G1 | G2  | H  |
|---------------|----|----|----|----|----|----|------|----|-----|----|
| H200-A        | 64 | 36 | 48 | 60 | 75 | 39 | 30,5 | 33 | 4,8 | 70 |
| H200-B        | 64 | 50 | 69 | 88 | 75 | 39 | 30,5 | 33 | 4,8 | 72 |
| H200-C        | 64 | 45 | -  | -  | 70 | 39 | 30,5 | 33 | 4,8 | 45 |
| H200-D        | 64 | 72 | 84 | 96 | 83 | 39 | 30,5 | 33 | 4,8 | 70 |
| H200-E        | 64 | 72 | 84 | 96 | 83 | 39 | 30,5 | 33 | 4,8 | 70 |

# Front Mounting Switches

**sälzer**



**Product line  
H200-E**

**Front mounting switch**  
Operator module of next size

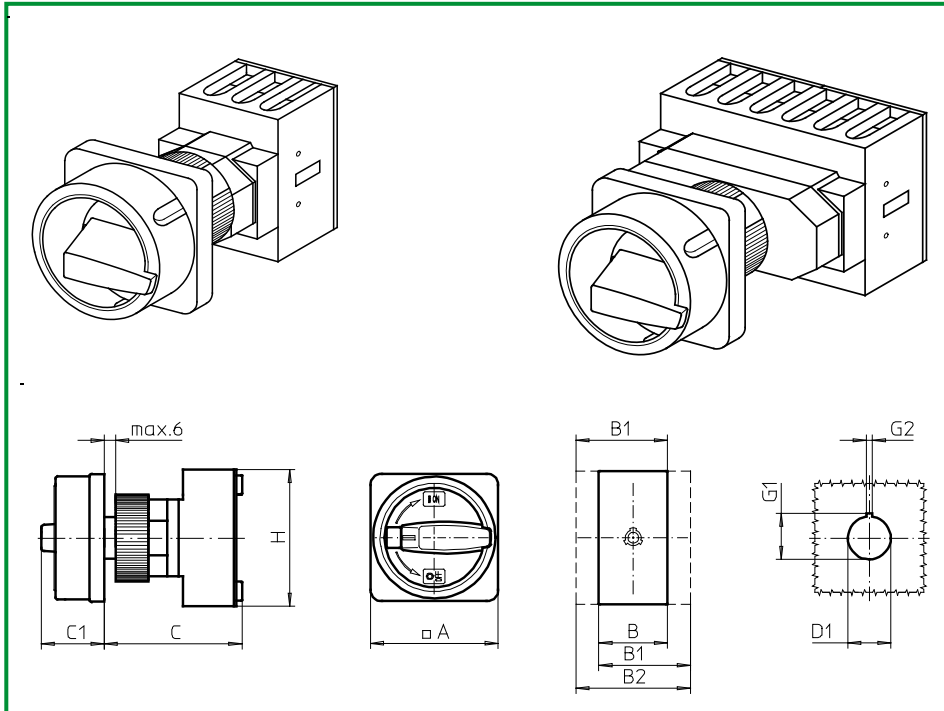
**Single hole mounting**  
ø 30,5 mm

**204V1 (IP66)**  
**203V1 (IP66)**

| Complete switch  | Poles    | Product lines | Rated data (IEC 60947)             |                               |            | Order code number              |           |           |           |          |
|--|----------|---------------|------------------------------------|-------------------------------|------------|--------------------------------|-----------|-----------|-----------|----------|
|  |          |               | Operational current I <sub>e</sub> | Operational power at 380–440V |            |                                |           |           |           |          |
|  |          |               | AC-21A<br>A                        | AC-23A<br>kW                  | AC-3<br>kW |                                |           |           |           |          |
| Changeover with OFF<br>Switching angle 90°<br>OFF position padlockable 12h             | 3 ... 4  | H200-E        | 20                                 | 5,5                           | 3,7        | <b>H216 - 71 ... - 204V1</b>   |           |           |           |          |
|  |          |               | 25                                 | 7,5                           | 5,5        | <b>H220 - 71 ... - 204V1</b>   |           |           |           |          |
|  |          |               | 32                                 | 11                            | 7,5        | <b>H226 - 71 ... - 204V1</b>   |           |           |           |          |
|  |          |               | 40                                 | 15                            | 11         | <b>H233 - 11 ... - 204V1</b>   |           |           |           |          |
| Changeover with OFF<br>Switching angle 90°<br>3 positions padlockable<br>(09h/12h/03h) | 3 ... 4  | H200-E        | 20                                 | 5,5                           | 3,7        | <b>H216 - 71 ... - 203V1</b>   |           |           |           |          |
|  |          |               | 25                                 | 7,5                           | 5,5        | <b>H220 - 71 ... - 203V1</b>   |           |           |           |          |
|  |          |               | 32                                 | 11                            | 7,5        | <b>H226 - 71 ... - 203V1</b>   |           |           |           |          |
|  |          |               | 40                                 | 15                            | 11         | <b>H233 - 71 ... - 203V1</b>   |           |           |           |          |
| <b>SMD modules for basic switch A01</b>  |          |               |                                    |                               |            |                                |           |           |           |          |
| Mounting form module for 204V1/203V1   |          |               | H200-E                             |                               |            | <b>BFB2 - 219</b>              |           |           |           |          |
| V-operator module 64 × 64 mm, mounting form 204V1<br>Escutcheon black, handle black    |          |               |                                    |                               |            | <b>2KV1 - 1230</b>             |           |           |           |          |
| V-operator module 64 × 64 mm, mounting form 203V1<br>Escutcheon black, handle black    |          |               |                                    |                               |            | <b>2KV1 - 9930</b>             |           |           |           |          |
| Legend plate silver, operator modules 204V1/203V1                                      |          |               |                                    |                               |            | <b>FAS4 - 9...</b> (FA number) |           |           |           |          |
| <b>Dimensions (mm)</b>   |          |               |                                    |                               |            |                                |           |           |           |          |
| <b>Product line</b>  | <b>A</b> | <b>B</b>      | <b>B1</b>                          | <b>B2</b>                     | <b>C</b>   | <b>C1</b>                      | <b>D1</b> | <b>G1</b> | <b>G2</b> | <b>H</b> |
| H200-E   | 64       | 72            | 84                                 | 96                            | 83         | 39                             | 30,5      | 33        | 4,8       | 70       |

# Front Mounting Switches

**sälzer**



**Product lines  
H200-A/-B/-C/-D**

**Front mounting switch**

**Single hole mounting  
ø 30,5 mm**

**216M1 (IP66)**

**216M4 (IP66)**

| Complete switch   | Poles   | Product lines | Rated data (IEC 60947)             |                               |            | Order code number            |
|---|---------|---------------|------------------------------------|-------------------------------|------------|------------------------------|
|   |         |               | Operational current I <sub>e</sub> | Operational power at 380–440V |            |                              |
|   |         |               | AC-21A<br>A                        | AC-23A<br>kW                  | AC-3<br>kW |                              |
| Main Switches<br>OFF position padlockable 09h               | 3 ... 4 | H200-C        | 20                                 | 5,5                           | 3,7        | <b>H212 - 41 ... - 216M1</b> |
|   | 3 ... 8 | H200-A/-D     | 20                                 | 5,5                           | 3,7        | <b>H216 - 41 ... - 216M1</b> |
|   |         |               | 25                                 | 7,5                           | 5,5        | <b>H220 - 41 ... - 216M1</b> |
|   |         |               | 32                                 | 11                            | 7,5        | <b>H226 - 41 ... - 216M1</b> |
|   |         |               | 40                                 | 15                            | 11         | <b>H233 - 41 ... - 216M1</b> |
|   |         |               | 63                                 | 22                            | 18,5       | <b>H263 - 41 ... - 216M1</b> |
| Main/Emergency-Off Switches<br>OFF position padlockable 09h | 3 ... 4 | H200-C        | 20                                 | 5,5                           | 3,7        | <b>H212 - 41 ... - 216M4</b> |
|   | 3 ... 8 | H200-A/-D     | 20                                 | 5,5                           | 3,7        | <b>H216 - 41 ... - 216M4</b> |
|   |         |               | 25                                 | 7,5                           | 5,5        | <b>H220 - 41 ... - 216M4</b> |
|   |         |               | 32                                 | 11                            | 7,5        | <b>H226 - 41 ... - 216M4</b> |
|   |         |               | 40                                 | 15                            | 11         | <b>H233 - 41 ... - 216M4</b> |
|   |         |               | 63                                 | 22                            | 18,5       | <b>H263 - 41 ... - 216M4</b> |

### SMD modules for basic switch A01

Mounting form module for 216M.

H200-A  
H200-B/-C/-D  
H200-A/-B/-C/-D

**BFA2 - 219**  
**BFB2 - 219**

M-padlock device 67 × 67 mm, mounting form 216M1  
Escutcheon black, padlockable handle black

**2FM1 - 30**

M-padlock device 67 × 67 mm, mounting form 216M4  
Escutcheon yellow, padlockable handle red

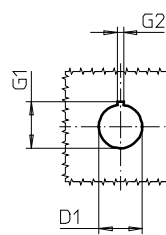
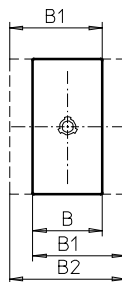
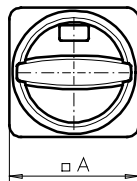
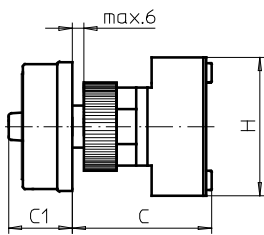
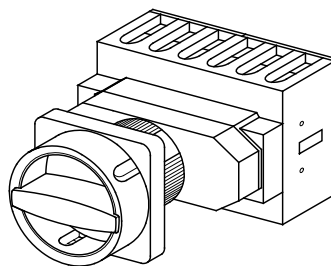
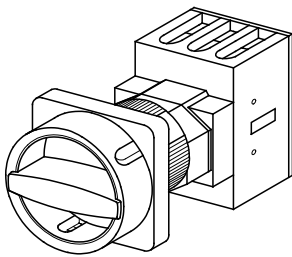
**2FM4 - 30**

### Dimensions (mm)

| Product lines | A  | B  | B1 | B2 | C  | C1 | D1   | G1 | G2  | H  |
|---------------|----|----|----|----|----|----|------|----|-----|----|
| H200-A        | 67 | 36 | 48 | 60 | 75 | 38 | 30,5 | 33 | 4,8 | 70 |
| H200-B        | 67 | 50 | 69 | 88 | 75 | 38 | 30,5 | 33 | 4,8 | 72 |
| H200-C        | 67 | 45 | -  | -  | 70 | 38 | 30,5 | 33 | 4,8 | 45 |
| H200-D        | 67 | 72 | 84 | 96 | 83 | 38 | 30,5 | 33 | 4,8 | 70 |

# Front Mounting Switches

**sälzer**



**Product lines  
H200-A/-B/-C/-D**

**Front mounting switch**

**Single hole mounting  
ø 30,5 mm**

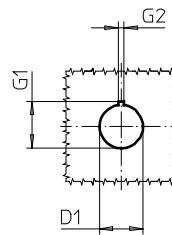
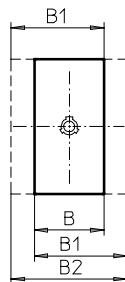
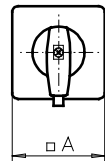
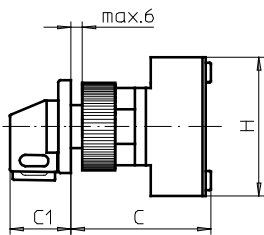
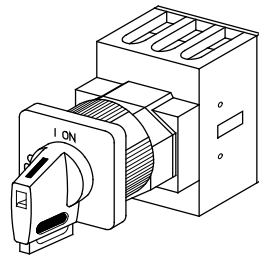
**216N1 (IP66)**

**216N4 (IP66)**

| Complete switch  | Poles    | Product lines | Rated data (IEC 60947)             |                               |  | Order code number            |           |           |           |          |
|--|----------|---------------|------------------------------------|-------------------------------|--|------------------------------|-----------|-----------|-----------|----------|
|  |          |               | Operational current I <sub>e</sub> | Operational power at 380–440V |  |                              |           |           |           |          |
|  |          |               | AC-21A<br>A                        | AC-23A<br>kW                  | AC-3<br>kW                             |                              |           |           |           |          |
| Main Switches<br>OFF position padlockable 12h  | 3 ... 4  | H200-C        | 20                                 | 5,5                           | 3,7                                    | <b>H212 - 41 ... - 216N1</b> |           |           |           |          |
|  | 3 ... 8  | H200-A/-D     | 20                                 | 5,5                           | 3,7                                    | <b>H216 - 41 ... - 216N1</b> |           |           |           |          |
|  |          |               | 25                                 | 7,5                           | 5,5                                    | <b>H220 - 41 ... - 216N1</b> |           |           |           |          |
|  |          |               | 32                                 | 11                            | 7,5                                    | <b>H226 - 41 ... - 216N1</b> |           |           |           |          |
|  |          |               | 40                                 | 15                            | 11                                     | <b>H233 - 41 ... - 216N1</b> |           |           |           |          |
| 3 ... 4  | H200-B   | 63            | 22                                 | 18,5                          | <b>H263 - 41 ... - 216N1</b>           |                              |           |           |           |          |
| Main/Emergency-Off Switches<br>OFF position padlockable 12h                                    | 3 ... 4  | H200-B        | 20                                 | 5,5                           | 3,7                                    | <b>H212 - 41 ... - 216N4</b> |           |           |           |          |
|  | 3 ... 8  | H200-A/-D     | 20                                 | 5,5                           | 3,7                                    | <b>H216 - 41 ... - 216N4</b> |           |           |           |          |
|  |          |               | 25                                 | 7,5                           | 5,5                                    | <b>H220 - 41 ... - 216N4</b> |           |           |           |          |
|  |          |               | 32                                 | 11                            | 7,5                                    | <b>H226 - 41 ... - 216N4</b> |           |           |           |          |
|  |          |               | 40                                 | 15                            | 11                                     | <b>H233 - 41 ... - 216N4</b> |           |           |           |          |
| 3 ... 4  | H200-B   | 63            | 22                                 | 18,5                          | <b>H263 - 41 ... - 216N4</b>           |                              |           |           |           |          |
| <b>SMD modules for basic switch A01</b>  |          |               |                                    |                               |  |                              |           |           |           |          |
| Mounting form module for 216N.   |          |               | H200-A<br>H200-B/-C/-D             |                               | <b>BFA2 - 219</b><br><b>BFB2 - 219</b> |                              |           |           |           |          |
| N-padlock device 67 × 67 mm, mounting form 216N1<br>Escutcheon black, padlockable handle black |          |               | H200-A/-B/-C/-D                    |                               | <b>2FN1 - 30</b>                       |                              |           |           |           |          |
| N-padlock device 67 × 67 mm, mounting form 216N4<br>Escutcheon yellow, padlockable handle red  |          |               |                                    |                               | <b>2FN4 - 30</b>                       |                              |           |           |           |          |
| <b>Dimensions (mm)</b>   |          |               |                                    |                               |  |                              |           |           |           |          |
| <b>Product lines</b>   | <b>A</b> | <b>B</b>      | <b>B1</b>                          | <b>B2</b>                     | <b>C</b>                               | <b>C1</b>                    | <b>D1</b> | <b>G1</b> | <b>G2</b> | <b>H</b> |
| H200-A   | 67       | 36            | 48                                 | 60                            | 75                                     | 33                           | 30,5      | 33        | 4,8       | 70       |
| H200-B   | 67       | 50            | 69                                 | 88                            | 75                                     | 33                           | 30,5      | 33        | 4,8       | 72       |
| H200-C   | 67       | 45            | -                                  | -                             | 70                                     | 33                           | 30,5      | 33        | 4,8       | 45       |
| H200-D   | 67       | 72            | 84                                 | 96                            | 83                                     | 33                           | 30,5      | 33        | 4,8       | 70       |

# Front Mounting Switches

**sälzer**



**Product lines  
H200-A/-B**

**Front mounting switch**

**Single hole mounting  
ø 30,5 mm**

**215V1 (IP66)**

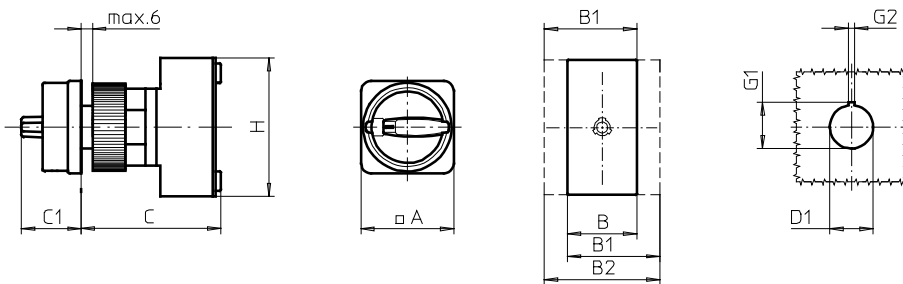
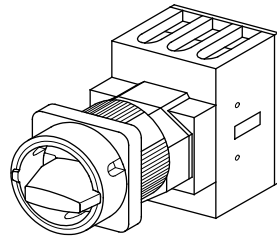
**215V4 (IP66)**

| Complete switch   | Poles    | Product lines | Rated data (IEC 60947)             |                               |                              | Order code number                      |           |           |           |          |
|---|----------|---------------|------------------------------------|-------------------------------|------------------------------|--|-----------|-----------|-----------|----------|
|   |          |               | Operational current I <sub>e</sub> | Operational power at 380–440V |                              |  |           |           |           |          |
|   |          |               | AC-21A<br>A                        | AC-23A<br>kW                  | AC-3<br>kW                   |  |           |           |           |          |
| Main Switches<br>OFF position padlockable 09h                                       | 3 ... 4  | H200-C        | 20                                 | 5,5                           | 3,7                          | <b>H212 - 41 ... - 215V1</b>           |           |           |           |          |
|   | 3 ... 4  | H200-A        | 20                                 | 5,5                           | 3,7                          | <b>H216 - 41 ... - 215V1</b>           |           |           |           |          |
|   |          |               | 25                                 | 7,5                           | 5,5                          | <b>H220 - 41 ... - 215V1</b>           |           |           |           |          |
|   |          |               | 32                                 | 11                            | 7,5                          | <b>H226 - 41 ... - 215V1</b>           |           |           |           |          |
|   |          |               | 40                                 | 15                            | 11                           | <b>H233 - 41 ... - 215V1</b>           |           |           |           |          |
| 3 ... 4   | H200-B   | 63            | 22                                 | 18,5                          | <b>H263 - 41 ... - 215V1</b> |  |           |           |           |          |
| Main/Emergency-Off Switches<br>OFF position padlockable 09h                         | 3 ... 4  | H200-C        | 20                                 | 5,5                           | 3,7                          | <b>H212 - 41 ... - 215V4</b>           |           |           |           |          |
|   | 3 ... 4  | H200-A        | 20                                 | 5,5                           | 3,7                          | <b>H216 - 41 ... - 215V4</b>           |           |           |           |          |
|   |          |               | 25                                 | 7,5                           | 5,5                          | <b>H220 - 41 ... - 215V4</b>           |           |           |           |          |
|   |          |               | 32                                 | 11                            | 7,5                          | <b>H226 - 41 ... - 215V4</b>           |           |           |           |          |
|   |          |               | 40                                 | 15                            | 11                           | <b>H233 - 41 ... - 215V4</b>           |           |           |           |          |
| 3 ... 4   | H200-B   | 63            | 22                                 | 18,5                          | <b>H263 - 41 ... - 215V4</b> |  |           |           |           |          |
| <b>SMD modules for basic switch A01</b>   |          |               |                                    |                               |                              |  |           |           |           |          |
| Mounting form module for 215V.  |          |               | H200-A<br>H200-B/-C                |                               |                              | <b>BFA2 - 219</b><br><b>BFB2 - 219</b> |           |           |           |          |
| V-operator module 48 × 48 mm, mounting form 215V1<br>Escutcheon black, handle black |          |               | H200-A/-B/-C                       |                               |                              | <b>2DV1 - 0930</b>                     |           |           |           |          |
| Legend plate silver, operator module 215V1  |          |               |                                    |                               |                              | <b>FAS2 - 9078</b>                     |           |           |           |          |
| V-operator module 48 × 48 mm, mounting form 215V4<br>Escutcheon black, handle red   |          |               |                                    |                               |                              | <b>2DV4 - 0930</b>                     |           |           |           |          |
| Legend plate yellow, operator module 215V4  |          |               |                                    |                               |                              | <b>FBS2 - 9078</b>                     |           |           |           |          |
| <b>Dimensions (mm)</b>  |          |               |                                    |                               |                              |  |           |           |           |          |
| <b>Product lines</b>  | <b>A</b> | <b>B</b>      | <b>B1</b>                          | <b>B2</b>                     | <b>C</b>                     | <b>C1</b>                              | <b>D1</b> | <b>G1</b> | <b>G2</b> | <b>H</b> |
| H200-A  | 48       | 36            | 48                                 | 60                            | 75                           | 32                                     | 30,5      | 33        | 4,8       | 70       |
| H200-B  | 48       | 50            | 69                                 | 88                            | 75                           | 32                                     | 30,5      | 33        | 4,8       | 72       |
| H200-C  | 48       | 45            | -                                  | -                             | 70                           | 32                                     | 30,5      | 33        | 4,8       | 45       |



# Front Mounting Switches

**sälzer**



**Product lines  
H200-A/-B/-C**

**Front mounting switch**

**Single hole mounting**  
ø 30,5 mm

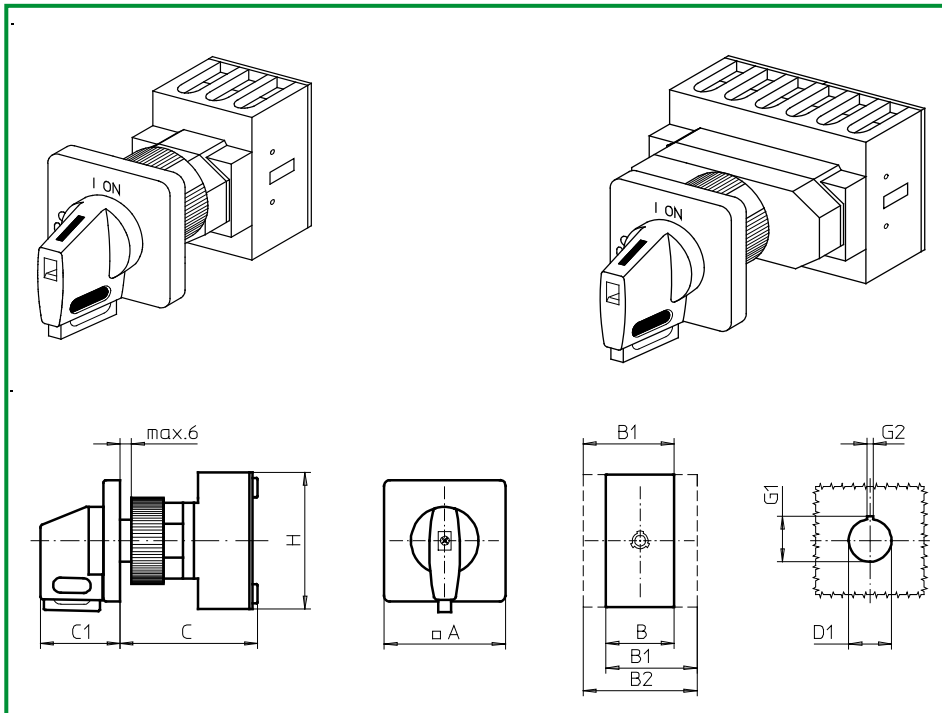
**215M1** (IP66)

**215M4** (IP66)

| Complete switch  | Poles    | Product lines | Rated data (IEC 60947)             |                               |            | Order code number                      |           |           |           |          |
|--|----------|---------------|------------------------------------|-------------------------------|------------|--|-----------|-----------|-----------|----------|
|  |          |               | Operational current I <sub>e</sub> | Operational power at 380–440V |            |  |           |           |           |          |
|  |          |               | AC-21A<br>A                        | AC-23A<br>kW                  | AC-3<br>kW |  |           |           |           |          |
| Main Switches<br>OFF position padlockable 09h  | 3 ... 4  | H200-C        | 20                                 | 5,5                           | 3,7        | <b>H212 - 41 ... - 215M1</b>           |           |           |           |          |
|  | 3 ... 4  | H200-A        | 20                                 | 5,5                           | 3,7        | <b>H216 - 41 ... - 215M1</b>           |           |           |           |          |
|  |          |               | 25                                 | 7,5                           | 5,5        | <b>H220 - 41 ... - 215M1</b>           |           |           |           |          |
|  |          |               | 32                                 | 11                            | 7,5        | <b>H226 - 41 ... - 215M1</b>           |           |           |           |          |
|  |          |               | 40                                 | 15                            | 11         | <b>H233 - 41 ... - 215M1</b>           |           |           |           |          |
|  |          |               | 63                                 | 22                            | 18,5       | <b>H263 - 41 ... - 215M1</b>           |           |           |           |          |
| Main/Emergency-Off Switches<br>OFF position padlockable 09h                                    | 3 ... 4  | H200-C        | 20                                 | 5,5                           | 3,7        | <b>H212 - 41 ... - 215M4</b>           |           |           |           |          |
|  | 3 ... 4  | H200-A        | 20                                 | 5,5                           | 3,7        | <b>H216 - 41 ... - 215M4</b>           |           |           |           |          |
|  |          |               | 25                                 | 7,5                           | 5,5        | <b>H220 - 41 ... - 215M4</b>           |           |           |           |          |
|  |          |               | 32                                 | 11                            | 7,5        | <b>H226 - 41 ... - 215M4</b>           |           |           |           |          |
|  |          |               | 40                                 | 15                            | 11         | <b>H233 - 41 ... - 215M4</b>           |           |           |           |          |
|  |          |               | 63                                 | 22                            | 18,5       | <b>H263 - 41 ... - 215M4</b>           |           |           |           |          |
| <b>SMD modules for basic switch A01</b>  |          |               |                                    |                               |            |  |           |           |           |          |
| Mounting form module for 215M.   |          |               | H200-A<br>H200-B/-C                |                               |            | <b>BFA2 - 219</b><br><b>BFB2 - 219</b> |           |           |           |          |
| M-padlock device 48 x 48 mm, mounting form 215M1<br>Escutcheon black, padlockable handle black |          |               | H200-A/-B/-C                       |                               |            | <b>2EM1 - 30</b>                       |           |           |           |          |
| M-padlock device 48 x 48 mm, mounting form 215M4<br>Escutcheon yellow, padlockable handle red  |          |               |                                    |                               |            | <b>2EM4 - 30</b>                       |           |           |           |          |
| <b>Dimensions (mm)</b>   |          |               |                                    |                               |            |  |           |           |           |          |
| <b>Product lines</b>   | <b>A</b> | <b>B</b>      | <b>B1</b>                          | <b>B2</b>                     | <b>C</b>   | <b>C1</b>                              | <b>D1</b> | <b>G1</b> | <b>G2</b> | <b>H</b> |
| H200-A   | 48       | 36            | 48                                 | 60                            | 75         | 31                                     | 30,5      | 33        | 4,8       | 70       |
| H200-B   | 48       | 50            | 69                                 | 88                            | 75         | 31                                     | 30,5      | 33        | 4,8       | 72       |
| H200-C   | 48       | 45            | -                                  | -                             | 70         | 31                                     | 30,5      | 33        | 4,8       | 45       |

# Front Mounting Switches

# sälzer



**Product lines**  
H200-A/-B/-C/-D

**Front mounting switch**  
Operator module of next size

**Single hole mounting**  
ø 30,5 mm

**216V1** (IP66)

**216V4** (IP66)

| Complete switch   | Poles   | Product lines | Rated data (IEC 60947)             |                               |                              | Order code number            |
|---|---------|---------------|------------------------------------|-------------------------------|------------------------------|------------------------------|
|   |         |               | Operational current I <sub>e</sub> | Operational power at 380–440V |                              |                              |
|   |         |               | AC-21A<br>A                        | AC-23A<br>kW                  | AC-3<br>kW                   |                              |
| Main Switches<br>OFF position padlockable 09h               | 3 ... 4 | H200-C        | 20                                 | 5,5                           | 3,7                          | <b>H212 - 41 ... - 216V1</b> |
|   | 3 ... 8 | H200-A/-D     | 20                                 | 5,5                           | 3,7                          | <b>H216 - 41 ... - 216V1</b> |
|   |         |               | 25                                 | 7,5                           | 5,5                          | <b>H220 - 41 ... - 216V1</b> |
|   |         |               | 32                                 | 11                            | 7,5                          | <b>H226 - 41 ... - 216V1</b> |
|   |         |               | 40                                 | 15                            | 11                           | <b>H233 - 41 ... - 216V1</b> |
| 3 ... 4   | H200-B  | 63            | 22                                 | 18,5                          | <b>H263 - 41 ... - 216V1</b> |                              |
| Main/Emergency-Off Switches<br>OFF position padlockable 09h | 3 ... 4 | H200-C        | 20                                 | 5,5                           | 3,7                          | <b>H212 - 41 ... - 216V4</b> |
|   | 3 ... 8 | H200-A/-D     | 20                                 | 5,5                           | 3,7                          | <b>H216 - 41 ... - 216V4</b> |
|   |         |               | 25                                 | 7,5                           | 5,5                          | <b>H220 - 41 ... - 216V4</b> |
|   |         |               | 32                                 | 11                            | 7,5                          | <b>H226 - 41 ... - 216V4</b> |
|   |         |               | 40                                 | 15                            | 11                           | <b>H233 - 41 ... - 216V4</b> |
| 3 ... 4   | H200-B  | 63            | 22                                 | 18,5                          | <b>H263 - 41 ... - 216V4</b> |                              |

### SMD modules for basic switch A01

Mounting form module for 216V.

H200-A  
H200-B/-C/-D  
H200-A/-B /-C/ -D

**BFA2 - 219**  
**BFB2 - 219**  
**2KV1 - 0930**

V-operator module 64 × 64 mm, mounting form 216V1  
Escutcheon black, handle black

Legend plate silver, operator module 216V1

**FAS4 - 9078**

V-operator module 64 × 64 mm, mounting form 216V4  
Escutcheon black, handle red

**2KV4 - 0930**

Legend plate yellow, operator module 216V4

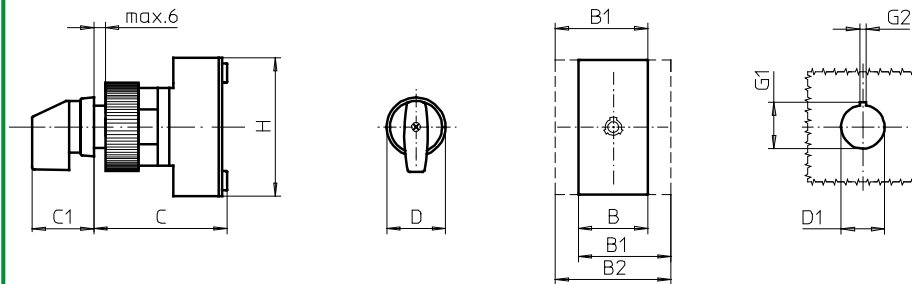
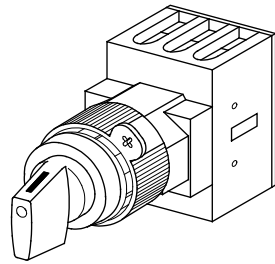
**FBS4 - 9078**

### Dimensions (mm)

| Product lines | A  | B  | B1 | B2 | C  | C1 | D1   | G1 | G2  | H  |
|---------------|----|----|----|----|----|----|------|----|-----|----|
| H200-A        | 64 | 36 | 48 | 60 | 75 | 39 | 30,5 | 33 | 4,8 | 70 |
| H200-B        | 64 | 50 | 69 | 88 | 75 | 39 | 30,5 | 33 | 4,8 | 72 |
| H200-C        | 64 | 45 | -  | -  | 70 | 39 | 30,5 | 33 | 4,8 | 45 |
| H200-D        | 64 | 72 | 84 | 96 | 83 | 39 | 30,5 | 33 | 4,8 | 70 |

# Front Mounting Switches

# sälzer



**Product lines  
H200-A/-B/-C**

**Front mounting switch  
with front ring**

**Single hole mounting  
ø 30,5 mm**

**208M1 (IP66)**

| Complete switch                        | Poles   | Product lines | Rated data (IEC 60947)             |                               |                              | Order code number            |
|--|---------|---------------|------------------------------------|-------------------------------|------------------------------|------------------------------|
|  |         |               | Operational current I <sub>e</sub> | Operational power at 380–440V |                              |                              |
|  |         |               | AC-21A<br>A                        | AC-23A<br>kW                  | AC-3<br>kW                   |                              |
| ON-OFF Switches<br>Switching angle 90° | 3 ... 4 | H200-C        | 20                                 | 5,5                           | 3,7                          | <b>H212 - 41 ... - 208M1</b> |
|  |         | H200-A        | 20                                 | 5,5                           | 3,7                          | <b>H216 - 41 ... - 208M1</b> |
|  | 25      |               | 7,5                                | 5,5                           | <b>H220 - 41 ... - 208M1</b> |                              |
|  | 32      |               | 11                                 | 7,5                           | <b>H226 - 41 ... - 208M1</b> |                              |
|  | 40      |               | 15                                 | 11                            | <b>H233 - 41 ... - 208M1</b> |                              |
|  | 3 ... 4 | H200-B        | 63                                 | 22                            | 18,5                         | <b>H263 - 41 ... - 208M1</b> |

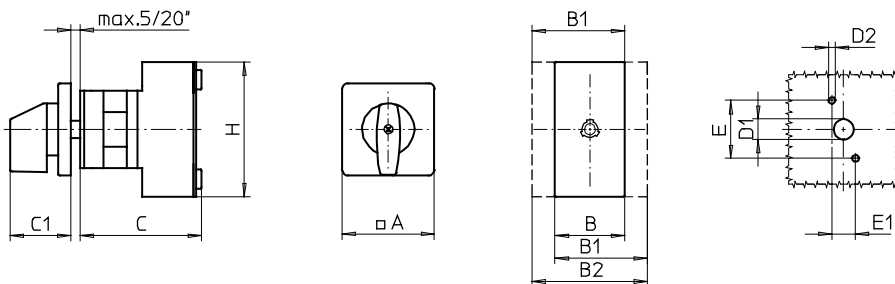
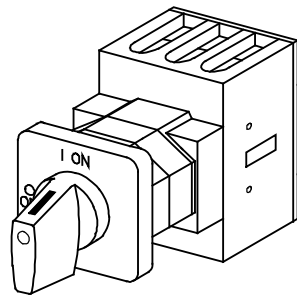
| SMD modules for basic switch A01  |  |                     |  |
|---|--|---------------------|--|
| Mounting form module for 208M1  |  | H200-A<br>H200-B/-C | <b>BFA2 - 219</b><br><b>BFB2 - 219</b> |
| Front ring black ø 39,5 mm<br>M-handle black, mounting form 208M1<br>(Front ring without inscription) |  | H200-A/-B/-C        | <b>2HM1 - 30</b>                       |

| Dimensions (mm) |    |    |    |    |    |      |      |    |     |    |
|-----------------|----|----|----|----|----|------|------|----|-----|----|
| Product lines   | B  | B1 | B2 | C  | C1 | D    | D1   | G1 | G2  | H  |
| H200-A          | 36 | 48 | 60 | 75 | 32 | 39,5 | 30,5 | 33 | 4,8 | 70 |
| H200-B          | 50 | 69 | 88 | 75 | 32 | 39,5 | 30,5 | 33 | 4,8 | 72 |
| H200-C          | 45 | -  | -  | 70 | 32 | 39,5 | 30,5 | 33 | 4,8 | 45 |

# Front Mounting Switches

**sälzer**



**Product line  
H200-A**

**Front mounting switch**

**Two hole mounting  
30 × 12,2 mm**

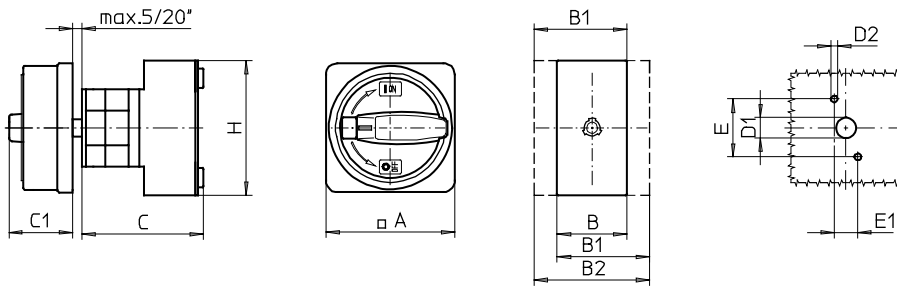
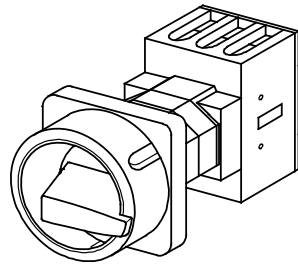
**M-operator module  
48 × 48 mm**

**503M1 (IP66)**

| Complete switch   | Poles   | Product lines | Rated data (IEC 60947)             |                               |            | Order code number              |    |     |    |      |    |
|---|---------|---------------|------------------------------------|-------------------------------|------------|--------------------------------|----|-----|----|------|----|
|   |         |               | Operational current I <sub>e</sub> | Operational power at 380–440V |            |                                |    |     |    |      |    |
|   |         |               | AC-21A<br>A                        | AC-23A<br>kW                  | AC-3<br>kW |                                |    |     |    |      |    |
| ON-OFF Switches<br>Switching angle 90°  | 3 ... 4 | H200-A        | 20                                 | 5,5                           | 3,7        | <b>H216 - 41 ... - 503M1</b>   |    |     |    |      |    |
|   |         |               | 25                                 | 7,5                           | 5,5        | <b>H220 - 41 ... - 503M1</b>   |    |     |    |      |    |
|   |         |               | 32                                 | 11                            | 7,5        | <b>H226 - 41 ... - 503M1</b>   |    |     |    |      |    |
|   |         |               | 40                                 | 15                            | 11         | <b>H233 - 41 ... - 503M1</b>   |    |     |    |      |    |
| <b>SMD modules for basic switch A01</b>   |         |               |                                    |                               |            |                                |    |     |    |      |    |
| Mounting form module for 503M1  |         |               |                                    | H200-A                        |            | <b>BFA2 - 503</b>              |    |     |    |      |    |
| M-operator module 48 × 48 mm, mounting form 503M1<br>Escutcheon black, handle black |         |               |                                    | H200-A                        |            | <b>2UM1</b>                    |    |     |    |      |    |
| Legend plate silver, operator module 503M1  |         |               |                                    |                               |            | <b>FAS2 - 9...</b> (FA number) |    |     |    |      |    |
| <b>Dimensions (mm)</b>  |         |               |                                    |                               |            |                                |    |     |    |      |    |
| Product lines   | A       | B             | B1                                 | B2                            | C          | C1                             | D1 | D2  | E  | E1   | H  |
| H200-A  | 48      | 36            | 48                                 | 60                            | 64         | 32                             | 12 | 3,5 | 30 | 12,2 | 70 |

# Front Mounting Switches

**sälzer**



**Product line  
H200-A**

**Front mounting switch**

**Two hole mounting  
30 × 12,2 mm**

**M-operator module  
67 × 67 mm**

**133M1 (IP66)**

**133M4 (IP66)**

| Complete switch   | Poles   | Product lines | Rated data (IEC 60947)             |                               |            | Order code number            |
|---|---------|---------------|------------------------------------|-------------------------------|------------|------------------------------|
|   |         |               | Operational current I <sub>e</sub> | Operational power at 380–440V |            |                              |
|   |         |               | AC-21A<br>A                        | AC-23A<br>kW                  | AC-3<br>kW |                              |
| Main Switches<br>OFF position padlockable 09h               | 3 ... 4 | H200-A        | 20                                 | 5,5                           | 3,7        | <b>H216 - 41 ... - 133M1</b> |
|   |         |               | 25                                 | 7,5                           | 5,5        | <b>H220 - 41 ... - 133M1</b> |
|   |         |               | 32                                 | 11                            | 7,5        | <b>H226 - 41 ... - 133M1</b> |
|   |         |               | 40                                 | 15                            | 11         | <b>H233 - 41 ... - 133M1</b> |
| Main/Emergency-Off Switches<br>OFF position padlockable 09h | 3 ... 4 | H200-A        | 20                                 | 5,5                           | 3,7        | <b>H216 - 41 ... - 133M4</b> |
|   |         |               | 25                                 | 7,5                           | 5,5        | <b>H220 - 41 ... - 133M4</b> |
|   |         |               | 32                                 | 11                            | 7,5        | <b>H226 - 41 ... - 133M4</b> |
|   |         |               | 40                                 | 15                            | 11         | <b>H233 - 41 ... - 133M4</b> |

### SMD modules for basic switch A01

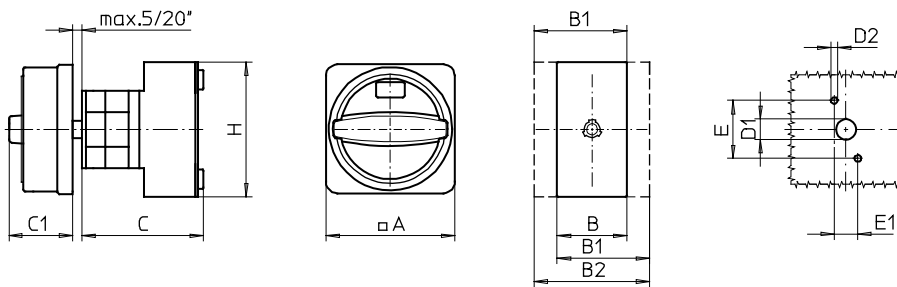
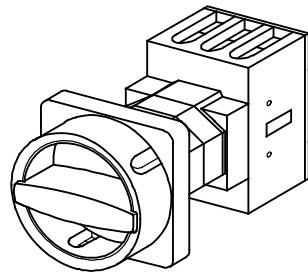
|  |        |                   |
|--|--------|-------------------|
| Mounting form module for 133M.   | H200-A | <b>BFA2 - 133</b> |
| M-padlock device 67 × 67 mm, mounting form 133M1<br>Escutcheon black, padlockable handle black | H200-A | <b>2VM1</b>       |
| M-padlock device 67 × 67 mm, mounting form 133M4<br>Escutcheon yellow, padlockable handle red  |        | <b>2VM4</b>       |

### Dimensions (mm)

| Product lines | A  | B  | B1 | B2 | C  | C1 | D1 | D2  | E  | E1   | H  |
|---------------|----|----|----|----|----|----|----|-----|----|------|----|
| H200-A        | 67 | 36 | 48 | 60 | 64 | 38 | 12 | 3,5 | 30 | 12,2 | 70 |

# Front Mounting Switches

**sälzer**



**Product line  
H200-A**

**Front mounting switch**

**Two hole mounting  
30 x 12,2 mm**

**N-operator module  
67 x 67 mm**

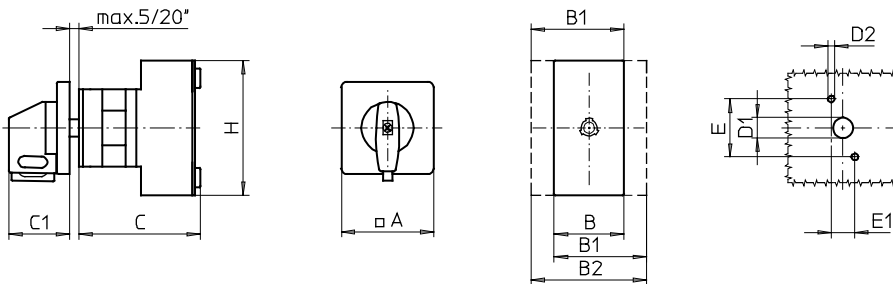
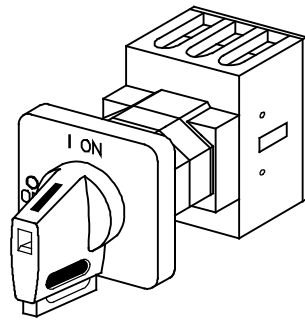
**133N1 (IP66)**

**133N4 (IP66)**

| Complete switch  | Poles   | Product lines | Rated data (IEC 60947)             |                               |                   | Order code number            |    |     |    |      |    |
|--|---------|---------------|------------------------------------|-------------------------------|-------------------|------------------------------|----|-----|----|------|----|
|  |         |               | Operational current I <sub>e</sub> | Operational power at 380–440V |                   |                              |    |     |    |      |    |
|  |         |               | AC-21A<br>A                        | AC-23A<br>kW                  | AC-3<br>kW        |                              |    |     |    |      |    |
| Main Switches<br>OFF position padlockable 12h  | 3 ... 4 | H200-A        | 20                                 | 5,5                           | 3,7               | <b>H216 - 41 ... - 133N1</b> |    |     |    |      |    |
|  |         |               | 25                                 | 7,5                           | 5,5               | <b>H220 - 41 ... - 133N1</b> |    |     |    |      |    |
|  |         |               | 32                                 | 11                            | 7,5               | <b>H226 - 41 ... - 133N1</b> |    |     |    |      |    |
|  |         |               | 40                                 | 15                            | 11                | <b>H233 - 41 ... - 133N1</b> |    |     |    |      |    |
| Main/Emergency-Off Switches<br>OFF position padlockable 12h                                    | 3 ... 4 | H200-A        | 20                                 | 5,5                           | 3,7               | <b>H216 - 41 ... - 133N4</b> |    |     |    |      |    |
|  |         |               | 25                                 | 7,5                           | 5,5               | <b>H220 - 41 ... - 133N4</b> |    |     |    |      |    |
|  |         |               | 32                                 | 11                            | 7,5               | <b>H226 - 41 ... - 133N4</b> |    |     |    |      |    |
|  |         |               | 40                                 | 15                            | 11                | <b>H233 - 41 ... - 133N4</b> |    |     |    |      |    |
| <b>SMD modules for basic switch A01</b>  |         |               |                                    |                               |                   |                              |    |     |    |      |    |
| Mounting form module for 133N.   |         |               | H200-A                             |                               | <b>BFA2 - 133</b> |                              |    |     |    |      |    |
| N-padlock device 67 x 67 mm, mounting form 133N1<br>Escutcheon black, padlockable handle black |         |               | H200-A                             |                               | <b>2VN1</b>       |                              |    |     |    |      |    |
| N-padlock device 67 x 67 mm, mounting form 133N4<br>Escutcheon yellow, padlockable handle red  |         |               |                                    |                               | <b>2VN4</b>       |                              |    |     |    |      |    |
| <b>Dimensions (mm)</b>   |         |               |                                    |                               |                   |                              |    |     |    |      |    |
| Product lines  | A       | B             | B1                                 | B2                            | C                 | C1                           | D1 | D2  | E  | E1   | H  |
| H200-A   | 67      | 36            | 48                                 | 60                            | 64                | 33                           | 12 | 3,5 | 30 | 12,2 | 70 |

# Front Mounting Switches

**sälzer**



**Product line  
H200-A**

**Front mounting switch**

**Two hole mounting  
30 × 12,2 mm**

**V-operator module  
48 × 48 mm**

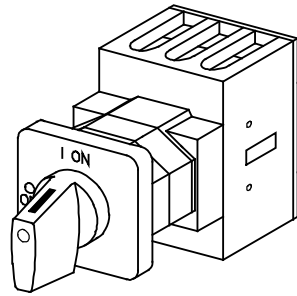
**133V1 (IP66)**

**133V4 (IP66)**

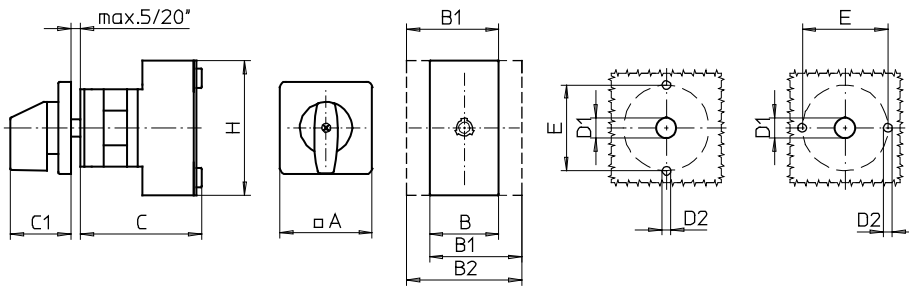
| Complete switch   | Poles    | Product lines | Rated data (IEC 60947)             |                               |            | Order code number            |           |           |          |           |          |
|---|----------|---------------|------------------------------------|-------------------------------|------------|------------------------------|-----------|-----------|----------|-----------|----------|
|   |          |               | Operational current I <sub>e</sub> | Operational power at 380–440V |            |                              |           |           |          |           |          |
|   |          |               | AC-21A<br>A                        | AC-23A<br>kW                  | AC-3<br>kW |                              |           |           |          |           |          |
| Main Switches<br>OFF position padlockable 09h                                       | 3 ... 4  | H200-A        | 20                                 | 5,5                           | 3,7        | <b>H216 - 41 ... - 133V1</b> |           |           |          |           |          |
|   |          |               | 25                                 | 7,5                           | 5,5        | <b>H220 - 41 ... - 133V1</b> |           |           |          |           |          |
|   |          |               | 32                                 | 11                            | 7,5        | <b>H226 - 41 ... - 133V1</b> |           |           |          |           |          |
|   |          |               | 40                                 | 15                            | 11         | <b>H233 - 41 ... - 133V1</b> |           |           |          |           |          |
| Main/Emergency-Off Switches<br>OFF position padlockable 09h                         | 3 ... 4  | H200-A        | 20                                 | 5,5                           | 3,7        | <b>H216 - 41 ... - 133V4</b> |           |           |          |           |          |
|   |          |               | 25                                 | 7,5                           | 5,5        | <b>H220 - 41 ... - 133V4</b> |           |           |          |           |          |
|   |          |               | 32                                 | 11                            | 7,5        | <b>H226 - 41 ... - 133V4</b> |           |           |          |           |          |
|   |          |               | 40                                 | 15                            | 11         | <b>H233 - 41 ... - 133V4</b> |           |           |          |           |          |
| <b>SMD modules for basic switch A01</b>   |          |               |                                    |                               |            |                              |           |           |          |           |          |
| Mounting form module for 133V.  |          |               | H200-A                             |                               |            | <b>BFA2 - 503</b>            |           |           |          |           |          |
| V-operator module 48 × 48 mm, mounting form 133V1<br>Escutcheon black, handle black |          |               | H200-A                             |                               |            | <b>2UV1 - 09</b>             |           |           |          |           |          |
| Legend plate silver, operator module 133V1  |          |               |                                    |                               |            | <b>FAS2 - 9078</b>           |           |           |          |           |          |
| V-operator module 48 × 48 mm, mounting form 133V4<br>Escutcheon black, handle red   |          |               |                                    |                               |            | <b>2UV4 - 09</b>             |           |           |          |           |          |
| Legend plate yellow, operator module 133V4  |          |               |                                    |                               |            | <b>FBS2 - 9078</b>           |           |           |          |           |          |
| <b>Dimensions (mm)</b>  |          |               |                                    |                               |            |                              |           |           |          |           |          |
| <b>Product lines</b>  | <b>A</b> | <b>B</b>      | <b>B1</b>                          | <b>B2</b>                     | <b>C</b>   | <b>C1</b>                    | <b>D1</b> | <b>D2</b> | <b>E</b> | <b>E1</b> | <b>H</b> |
| H200-A  | 48       | 36            | 48                                 | 60                            | 64         | 32                           | 12        | 3,5       | 30       | 12,2      | 70       |

# Front Mounting Switches

**sälzer**



2-Loch wahlweise  
2 hole alternatively



**Product line  
H200-A**

**Front mounting switch**

**Two hole mounting  
ø 30 mm**

**M-operator module  
48 × 48 mm**

**523M1 (IP66)**

| Complete switch                        | Poles   | Product lines | Rated data (IEC 60947)             |                               |            | Order code number            |
|--|---------|---------------|------------------------------------|-------------------------------|------------|------------------------------|
|  |         |               | Operational current I <sub>e</sub> | Operational power at 380–440V |            |                              |
|  |         |               | AC-21A<br>A                        | AC-23A<br>kW                  | AC-3<br>kW |                              |
| ON-OFF Switches<br>Switching angle 90° | 3 ... 4 | H200-A        | 20                                 | 5,5                           | 3,7        | <b>H216 - 41 ... - 523M1</b> |
|  |         |               | 25                                 | 7,5                           | 5,5        | <b>H220 - 41 ... - 523M1</b> |
|  |         |               | 32                                 | 11                            | 7,5        | <b>H226 - 41 ... - 523M1</b> |
|  |         |               | 40                                 | 15                            | 11         | <b>H233 - 41 ... - 523M1</b> |

## SMD modules for basic switch A01

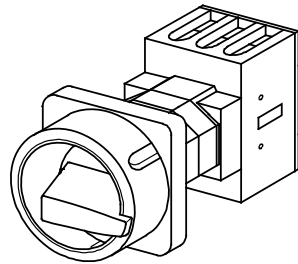
|   |        |                                |
|---|--------|--------------------------------|
| Mounting form module for 523M1  | H200-A | <b>BFA2 - 523</b>              |
| M-operator module 48 × 48 mm, mounting form 523M1<br>Escutcheon black, handle black | H200-A | <b>2UM1</b>                    |
| Legend plate silver, operator module 523M1  |        | <b>FAS2 - 9...</b> (FA number) |

## Dimensions (mm)

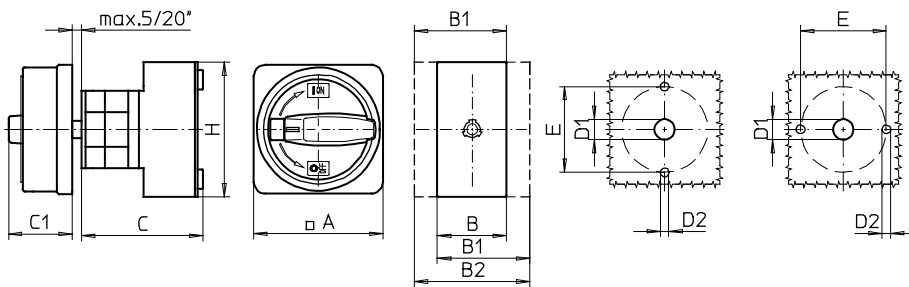
| Product lines | A  | B  | B1 | B2 | C  | C1 | D1 | D2  | E  | H  |
|---------------|----|----|----|----|----|----|----|-----|----|----|
| H200-A        | 48 | 36 | 48 | 60 | 64 | 32 | 12 | 3,5 | 30 | 70 |



# Front Mounting Switches



2-Loch wahlweise  
2 hole alternatively



**Product line**  
**H200-A**

**Front mounting switch**

**Two hole mounting**  
ø 30 mm

**M-operator module**  
67 x 67 mm

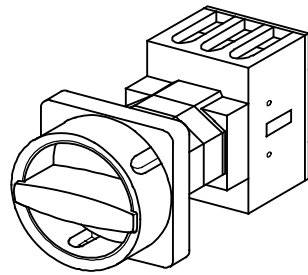
**153M1** (IP66)

**153M4** (IP66)

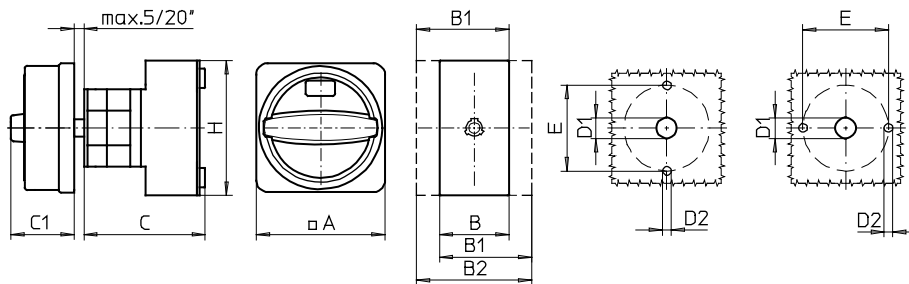
| Complete switch  | Poles   | Product lines | Rated data (IEC 60947)             |                               |                   | Order code number            |    |     |    |    |
|--|---------|---------------|------------------------------------|-------------------------------|-------------------|------------------------------|----|-----|----|----|
|  |         |               | Operational current I <sub>e</sub> | Operational power at 380–440V |                   |                              |    |     |    |    |
|  |         |               | AC-21A<br>A                        | AC-23A<br>kW                  | AC-3<br>kW        |                              |    |     |    |    |
| Main Switches<br>OFF position padlockable 09h  | 3 ... 4 | H200-A        | 20                                 | 5,5                           | 3,7               | <b>H216 - 41 ... - 153M1</b> |    |     |    |    |
|  |         |               | 25                                 | 7,5                           | 5,5               | <b>H220 - 41 ... - 153M1</b> |    |     |    |    |
|  |         |               | 32                                 | 11                            | 7,5               | <b>H226 - 41 ... - 153M1</b> |    |     |    |    |
|  |         |               | 40                                 | 15                            | 11                | <b>H233 - 41 ... - 153M1</b> |    |     |    |    |
| Main/Emergency-Off Switches<br>OFF position padlockable 09h                                    | 3 ... 4 | H200-A        | 20                                 | 5,5                           | 3,7               | <b>H216 - 41 ... - 153M4</b> |    |     |    |    |
|  |         |               | 25                                 | 7,5                           | 5,5               | <b>H220 - 41 ... - 153M4</b> |    |     |    |    |
|  |         |               | 32                                 | 11                            | 7,5               | <b>H226 - 41 ... - 153M4</b> |    |     |    |    |
|  |         |               | 40                                 | 15                            | 11                | <b>H233 - 41 ... - 153M4</b> |    |     |    |    |
| <b>SMD modules for basic switch A01</b>  |         |               |                                    |                               |                   |                              |    |     |    |    |
| Mounting form module for 153M.   |         |               | H200-A                             |                               | <b>BFA2 - 153</b> |                              |    |     |    |    |
| M-padlock device 67 x 67 mm, mounting form 153M1<br>Escutcheon black, padlockable handle black |         |               | H200-A                             |                               | <b>2VM1</b>       |                              |    |     |    |    |
| M-padlock device 67 x 67 mm, mounting form 153M4<br>Escutcheon yellow, padlockable handle red  |         |               |                                    |                               | <b>2VM4</b>       |                              |    |     |    |    |
| <b>Dimensions (mm)</b>   |         |               |                                    |                               |                   |                              |    |     |    |    |
| Product lines  | A       | B             | B1                                 | B2                            | C                 | C1                           | D1 | D2  | E  | H  |
| H200-A   | 67      | 36            | 48                                 | 60                            | 64                | 38                           | 12 | 3,5 | 30 | 70 |

# Front Mounting Switches

# sälzer



2-Loch wahlweise  
2 hole alternatively



**Product line**  
**H200-A**

**Front mounting switch**

**Two hole mounting**  
ø 30 mm

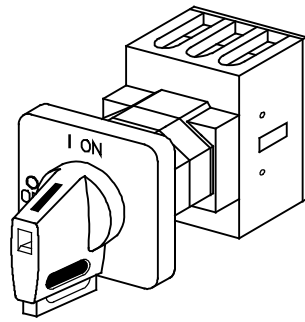
**N-operator module**  
67 × 67 mm

**153N1** (IP66)

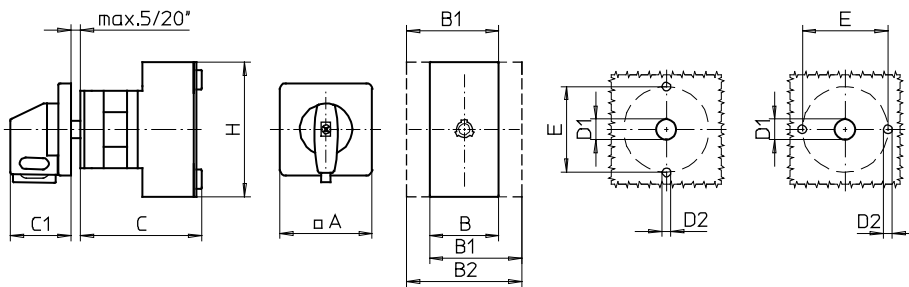
**153N4** (IP66)

| Complete switch  | Poles    | Product lines | Rated data (IEC 60947)             |                               |                   | Order code number            |           |           |          |          |
|--|----------|---------------|------------------------------------|-------------------------------|-------------------|------------------------------|-----------|-----------|----------|----------|
|  |          |               | Operational current I <sub>e</sub> | Operational power at 380–440V |                   |                              |           |           |          |          |
|  |          |               | AC-21A<br>A                        | AC-23A<br>kW                  | AC-3<br>kW        |                              |           |           |          |          |
| Main Switches<br>OFF position padlockable 12h  | 3 ... 4  | H200-A        | 20                                 | 5,5                           | 3,7               | <b>H216 - 41 ... - 153N1</b> |           |           |          |          |
|  |          |               | 25                                 | 7,5                           | 5,5               | <b>H220 - 41 ... - 153N1</b> |           |           |          |          |
|  |          |               | 32                                 | 11                            | 7,5               | <b>H226 - 41 ... - 153N1</b> |           |           |          |          |
|  |          |               | 40                                 | 15                            | 11                | <b>H233 - 41 ... - 153N1</b> |           |           |          |          |
| Main/Emergency-Off Switches<br>OFF position padlockable 12h                                    | 3 ... 4  | H200-A        | 20                                 | 5,5                           | 3,7               | <b>H216 - 41 ... - 153N4</b> |           |           |          |          |
|  |          |               | 25                                 | 7,5                           | 5,5               | <b>H220 - 41 ... - 153N4</b> |           |           |          |          |
|  |          |               | 32                                 | 11                            | 7,5               | <b>H226 - 41 ... - 153N4</b> |           |           |          |          |
|  |          |               | 40                                 | 15                            | 11                | <b>H233 - 41 ... - 153N4</b> |           |           |          |          |
| <b>SMD modules for basic switch A01</b>  |          |               |                                    |                               |                   |                              |           |           |          |          |
| Mounting form module for 153N.   |          |               | H200-A                             |                               | <b>BFA2 - 153</b> |                              |           |           |          |          |
| N-padlock device 67 × 67 mm, mounting form 153N1<br>Escutcheon black, padlockable handle black |          |               | H200-A                             |                               | <b>2VN1</b>       |                              |           |           |          |          |
| N-padlock device 67 × 67 mm, mounting form 153N4<br>Escutcheon yellow, padlockable handle red  |          |               |                                    |                               | <b>2VN4</b>       |                              |           |           |          |          |
| <b>Dimensions (mm)</b>   |          |               |                                    |                               |                   |                              |           |           |          |          |
| <b>Product lines</b>   | <b>A</b> | <b>B</b>      | <b>B1</b>                          | <b>B2</b>                     | <b>C</b>          | <b>C1</b>                    | <b>D1</b> | <b>D2</b> | <b>E</b> | <b>H</b> |
| H200-A   | 67       | 36            | 48                                 | 60                            | 64                | 33                           | 12        | 3,5       | 30       | 70       |

# Front Mounting Switches



2-Loch wahlweise  
2 hole alternatively



**Product line**  
**H200-A**

**Front mounting switch**

**Two hole mounting**  
ø 30 mm

**V-operator module**  
48 × 48 mm

**153V1** (IP66)

**153V4** (IP66)

| Complete switch   | Poles    | Product lines | Rated data (IEC 60947)             |              |                               | Order code number            |           |           |          |          |
|---|----------|---------------|------------------------------------|--------------|-------------------------------|------------------------------|-----------|-----------|----------|----------|
|   |          |               | Operational current I <sub>e</sub> |              | Operational power at 380–440V |                              |           |           |          |          |
|   |          |               | AC-21A<br>A                        | AC-23A<br>kW | AC-3<br>kW                    |                              |           |           |          |          |
| Main Switches<br>OFF position padlockable 09h                                       | 3 ... 4  | H200-A        | 20                                 | 5,5          | 3,7                           | <b>H216 - 41 ... - 153V1</b> |           |           |          |          |
|   |          |               | 25                                 | 7,5          | 5,5                           | <b>H220 - 41 ... - 153V1</b> |           |           |          |          |
|   |          |               | 32                                 | 11           | 7,5                           | <b>H226 - 41 ... - 153V1</b> |           |           |          |          |
|   |          |               | 40                                 | 15           | 11                            | <b>H233 - 41 ... - 153V1</b> |           |           |          |          |
| Main/Emergency-Off Switches<br>OFF position padlockable 09h                         | 3 ... 4  | H200-A        | 20                                 | 5,5          | 3,7                           | <b>H216 - 41 ... - 153V4</b> |           |           |          |          |
|   |          |               | 25                                 | 7,5          | 5,5                           | <b>H220 - 41 ... - 153V4</b> |           |           |          |          |
|   |          |               | 32                                 | 11           | 7,5                           | <b>H226 - 41 ... - 153V4</b> |           |           |          |          |
|   |          |               | 40                                 | 15           | 11                            | <b>H233 - 41 ... - 153V4</b> |           |           |          |          |
| <b>SMD modules for basic switch A01</b>   |          |               |                                    |              |                               |                              |           |           |          |          |
| Mounting form module for 153V.  |          |               | H200-A                             |              |                               | <b>BFA2 - 523</b>            |           |           |          |          |
| V-operator module 48 × 48 mm, mounting form 153V1<br>Escutcheon black, handle black |          |               | H200-A                             |              |                               | <b>2UV1 - 09</b>             |           |           |          |          |
| Legend plate silver, operator module 153V1  |          |               |                                    |              |                               | <b>FAS2 - 9078</b>           |           |           |          |          |
| V-operator module 48 × 48 mm, mounting form 153V4<br>Escutcheon black, handle red   |          |               |                                    |              |                               | <b>2UV4 - 09</b>             |           |           |          |          |
| Legend plate yellow, operator module 153V4  |          |               |                                    |              |                               | <b>FBS2 - 9078</b>           |           |           |          |          |
| <b>Dimensions (mm)</b>  |          |               |                                    |              |                               |                              |           |           |          |          |
| <b>Product lines</b>  | <b>A</b> | <b>B</b>      | <b>B1</b>                          | <b>B2</b>    | <b>C</b>                      | <b>C1</b>                    | <b>D1</b> | <b>D2</b> | <b>E</b> | <b>H</b> |
| H200-A  | 48       | 36            | 48                                 | 60           | 64                            | 32                           | 12        | 3,5       | 30       | 70       |



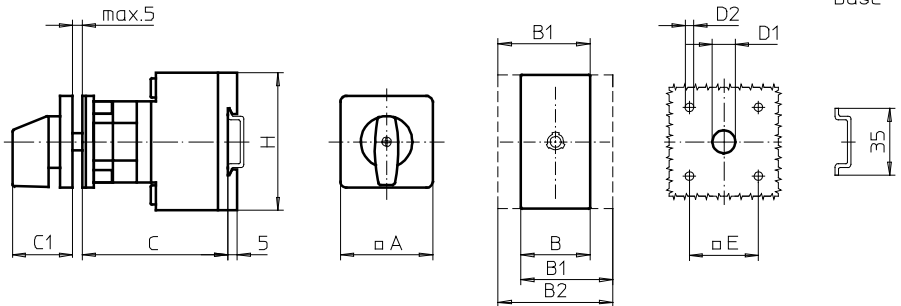
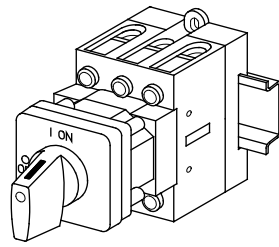
## Section B

|  | Page         |               |
|--|--------------|---------------|
|  | from         | to            |
| <b>Base / front mounting</b>   | <b>B1-1</b>  | <b>B1-7</b>   |
| <b>Door clutch with Modular shaft extension</b><br>Four hole front mounting                            | <b>B2-1</b>  | <b>B2-11</b>  |
| <b>Door interlock with Modular shaft extension</b><br>Four hole front mounting                         | <b>B3-1</b>  | <b>B3-11</b>  |
| <b>Door interlock with Modular shaft extension</b><br>Four hole front mounting<br>N/PE connection link | <b>B4-1</b>  | <b>B4-11</b>  |
| <b>Door clutch with metal shaft extension</b><br>Single hole $\varnothing$ 22,5 mm front mounting      | <b>B5-1</b>  | <b>B5-17</b>  |
| <b>Door interlock with metal shaft extension</b><br>Single hole $\varnothing$ 22,5 mm front mounting   | <b>B6-1</b>  | <b>B6-17</b>  |
| <b>Door interlock with fixed metal shaft</b><br>Single hole $\varnothing$ 22,5 mm front mounting       | <b>B7-1</b>  | <b>B7-20</b>  |
| <b>Door clutch with metal shaft extension</b><br>Four hole front mounting                              | <b>B8-1</b>  | <b>B8-21</b>  |
| <b>Door interlock with metal shaft extension</b><br>Four hole front mounting                           | <b>B9-1</b>  | <b>B9-21</b>  |
| <b>Door interlock with fixed metal shaft</b><br>Four hole front mounting                               | <b>B10-1</b> | <b>B10-20</b> |
| <b>Defeatable door interlock with metal shaft extension</b><br>Four hole front mounting                | <b>B11-1</b> | <b>B11-3</b>  |

Originator: Sälzer Electric GmbH · Product Data Management (PDM) · 09306 Rochlitz (Germany)  
 Copyright reserved by Sälzer Electric GmbH. This document replaces all previous issues.  
 Valid until a new version is published. Changes and revisions reserved.

# Base Mounting Switches

# sälzer



**Product lines**  
**H200-A/-B**

**Base mounting switch**

**Base/front mounting**

**Four hole mounting**

36 x 36 mm front

## 021M1

| Complete switch                        | Poles   | Product lines | Rated data (IEC 60947)             |                               |            | Order code number            |
|--|---------|---------------|------------------------------------|-------------------------------|------------|------------------------------|
|  |         |               | Operational current I <sub>e</sub> | Operational power at 380–440V |            |                              |
|  |         |               | AC-21A<br>A                        | AC-23A<br>kW                  | AC-3<br>kW |                              |
| ON-OFF Switches<br>Switching angle 90° | 3 ... 4 | H200-A        | 20                                 | 5,5                           | 3,7        | <b>H216 - 41 ... - 021M1</b> |
|  |         |               | 25                                 | 7,5                           | 5,5        | <b>H220 - 41 ... - 021M1</b> |
|  |         |               | 32                                 | 11                            | 7,5        | <b>H226 - 41 ... - 021M1</b> |
|  | 40      | 15            | 11                                 | <b>H233 - 41 ... - 021M1</b>  |            |                              |
|  | 3 ... 4 | H200-B        | 63                                 | 22                            | 18,5       | <b>H263 - 41 ... - 021M1</b> |

### SMD modules for basic switch A02

Mounting form module for 021M1

H200-A  
H200-B

**BFA2 - 003**  
**BFB2 - 003**

M-operator module 48 x 48 mm, mounting form 021M1  
Escutcheon black, handle black

H200-A/-B

**2AM1**

Legend plate silver, operator module 021M1

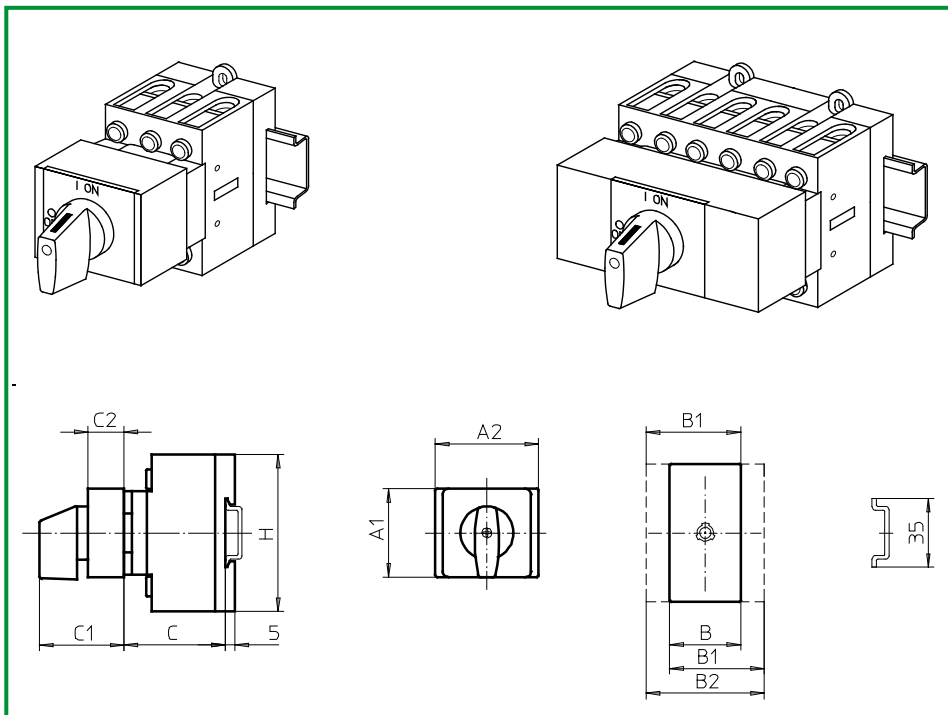
**FAS2 - 9...** (FA number)

### Dimensions (mm)

| Product lines | A  | B  | B1 | B2 | C  | C1 | D1 | D2  | E  | H  |
|---------------|----|----|----|----|----|----|----|-----|----|----|
| H200-A        | 48 | 36 | 48 | 60 | 56 | 32 | 12 | 4,5 | 36 | 70 |
| H200-B        | 48 | 50 | 69 | 88 | 56 | 32 | 12 | 4,5 | 36 | 72 |

# Base Mounting Switches

# sälzer



**Product lines**  
H200-A/-B/-D/-E

**Base mounting switch**

**Base/front mounting**

**DIN rail**  
with cover plate  
45 mm aperture

**026M1**

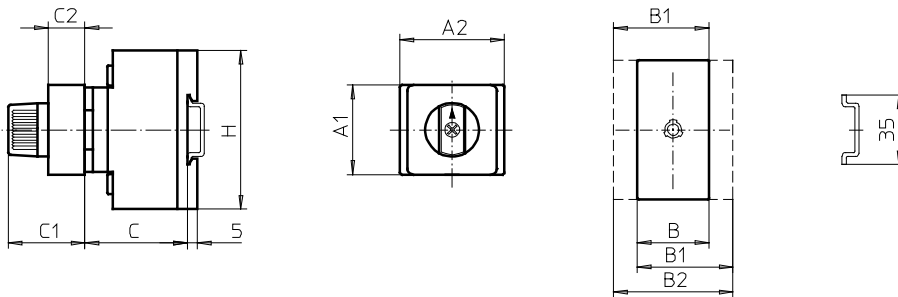
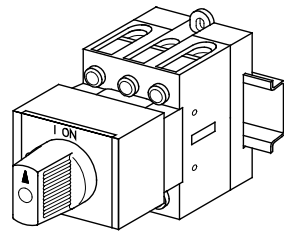
| Complete switch                            | Poles   | Product lines | Rated data (IEC 60947)             |                               |            | Order code number            |
|--|---------|---------------|------------------------------------|-------------------------------|------------|------------------------------|
|  |         |               | Operational current I <sub>e</sub> | Operational power at 380–440V |            |                              |
|  |         |               | AC-21A<br>A                        | AC-23A<br>kW                  | AC-3<br>kW |                              |
| ON-OFF Switches<br>Switching angle 90°     | 3 ... 8 | H200-A/-D     | 20                                 | 5,5                           | 3,7        | <b>H216 - 41 ... - 026M1</b> |
|  |         |               | 25                                 | 7,5                           | 5,5        | <b>H220 - 41 ... - 026M1</b> |
|  |         |               | 32                                 | 11                            | 7,5        | <b>H226 - 41 ... - 026M1</b> |
|  |         |               | 40                                 | 15                            | 11         | <b>H233 - 41 ... - 026M1</b> |
|  | 3 ... 4 | H200-B        | 63                                 | 22                            | 18,5       | <b>H263 - 41 ... - 026M1</b> |
| Changeover with OFF<br>Switching angle 90° | 3 ... 4 | H200-E        | 20                                 | 5,5                           | 3,7        | <b>H216 - 71 ... - 026M1</b> |
|  |         |               | 25                                 | 7,5                           | 5,5        | <b>H220 - 71 ... - 026M1</b> |
|  |         |               | 32                                 | 11                            | 7,5        | <b>H226 - 71 ... - 026M1</b> |
|  |         |               | 40                                 | 15                            | 11         | <b>H233 - 71 ... - 026M1</b> |

| SMD modules for basic switch A02   |                               |   |
|--|-------------------------------|---|
| Mounting form/operator module grey,<br>M-handle black, mounting form 026M1 | H200-A<br>H200-B<br>H200-D/-E | <b>BFA2 - 026M1</b><br><b>BFB2 - 026M1</b><br><b>BFD2 - 026M1</b> |
| Legend plate grey, mounting form/operator module 026M1                     | H200-A/-B/-D/-E               | <b>FAV2 - 9...</b> (FA number)                                    |

| Dimensions (mm) |    |      |    |    |    |    |      |      |    |
|-----------------|----|------|----|----|----|----|------|------|----|
| Product lines   | A1 | A2   | B  | B1 | B2 | C  | C1   | C2   | H  |
| H200-A          | 45 | 48   | 36 | 48 | 60 | 38 | 45   | 18,5 | 70 |
| H200-B          | 45 | 52,5 | 50 | 69 | 88 | 38 | 45   | 18,5 | 72 |
| H200-D          | 45 | 76   | 72 | 84 | 96 | 40 | 51,5 | 25,5 | 70 |
| H200-E          | 45 | 76   | 72 | 84 | 96 | 40 | 51,5 | 25,5 | 70 |

# Base Mounting Switches

# sälzer



**Product lines**  
H200-A/-B

**Base mounting switch**

**Base/front mounting**

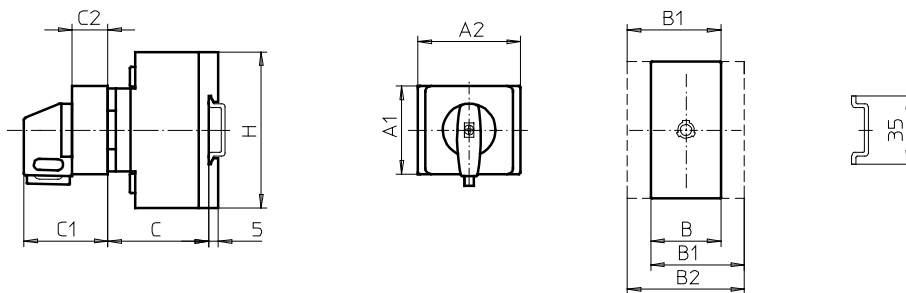
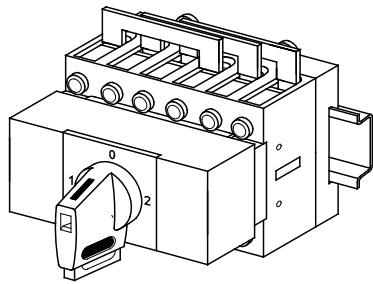
**DIN rail**  
with cover plate  
45 mm aperture

**026N2**

| Complete switch   | Poles   | Product lines | Rated data (IEC 60947)             |                               |            | Order code number              |    |      |    |
|---|---------|---------------|------------------------------------|-------------------------------|------------|--------------------------------|----|------|----|
|   |         |               | Operational current I <sub>e</sub> | Operational power at 380–440V |            |                                |    |      |    |
|   |         |               | AC-21A<br>A                        | AC-23A<br>kW                  | AC-3<br>kW |                                |    |      |    |
| ON-OFF Switches<br>Switching angle 90°                                    | 3 ... 4 | H200-A        | 20                                 | 5,5                           | 3,7        | <b>H216 - 41 ... - 026N2</b>   |    |      |    |
|   |         |               | 25                                 | 7,5                           | 5,5        | <b>H220 - 41 ... - 026N2</b>   |    |      |    |
|   |         |               | 32                                 | 11                            | 7,5        | <b>H226 - 41 ... - 026N2</b>   |    |      |    |
|   | 3 ... 4 | H200-B        | 40                                 | 15                            | 11         | <b>H233 - 41 ... - 026N2</b>   |    |      |    |
|   |         |               | 63                                 | 22                            | 18,5       | <b>H263 - 41 ... - 026N2</b>   |    |      |    |
| <b>SMD modules for basic switch A02</b>                                   |         |               |                                    |                               |            |                                |    |      |    |
| Mounting form/operator module grey,<br>N-handle grey, mounting form 026N2 |         |               | H200-A                             |                               |            | <b>BFA2 - 026N2</b>            |    |      |    |
|   |         |               | H200-B                             |                               |            | <b>BFB2 - 026N2</b>            |    |      |    |
| Legend plate grey, mounting form/operator module 026N2                    |         |               | H200-A/-B                          |                               |            | <b>FAV2 - 9...</b> (FA number) |    |      |    |
| <b>Dimensions (mm)</b>  |         |               |                                    |                               |            |                                |    |      |    |
| Product lines   | A1      | A2            | B                                  | B1                            | B2         | C                              | C1 | C2   | H  |
| H200-A  | 45      | 48            | 36                                 | 48                            | 60         | 38                             | 40 | 18,5 | 70 |
| H200-B  | 45      | 52,5          | 50                                 | 69                            | 88         | 38                             | 40 | 18,5 | 72 |

# Base Mounting Switches

**sälzer**



**Product line**  
**H200-E**

**Base mounting switch**

**Base/front mounting**

**DIN rail**  
with cover plate  
45 mm aperture

**028V1**  
**027V1**

| Complete switch  | Poles     | Product lines | Rated data (IEC 60947)             |                               |            | Order code number               |           |           |          |
|--|-----------|---------------|------------------------------------|-------------------------------|------------|---------------------------------|-----------|-----------|----------|
|  |           |               | Operational current I <sub>e</sub> | Operational power at 380–440V |            |                                 |           |           |          |
|  |           |               | AC-21A<br>A                        | AC-23A<br>kW                  | AC-3<br>kW |                                 |           |           |          |
| Changeover with OFF<br>Switching angle 90°<br>OFF position padlockable 12h             | 3 ... 4   | H200-E        | 20                                 | 5,5                           | 3,7        | <b>H216 - 71 ... - 028V1</b>    |           |           |          |
|  |           |               | 25                                 | 7,5                           | 5,5        | <b>H220 - 71 ... - 028V1</b>    |           |           |          |
|  |           |               | 32                                 | 11                            | 7,5        | <b>H226 - 71 ... - 028V1</b>    |           |           |          |
|  |           |               | 40                                 | 15                            | 11         | <b>H233 - 11 ... - 028V1</b>    |           |           |          |
| Changeover with OFF<br>Switching angle 90°<br>3 positions padlockable<br>(09h/12h/03h) | 3 ... 4   | H200-E        | 20                                 | 5,5                           | 3,7        | <b>H216 - 71 ... - 027V1</b>    |           |           |          |
|  |           |               | 25                                 | 7,5                           | 5,5        | <b>H220 - 71 ... - 027V1</b>    |           |           |          |
|  |           |               | 32                                 | 11                            | 7,5        | <b>H226 - 71 ... - 027V1</b>    |           |           |          |
|  |           |               | 40                                 | 15                            | 11         | <b>H233 - 71 ... - 027V1</b>    |           |           |          |
| <b>SMD modules for basic switch A02</b>  |           |               |                                    |                               |            |                                 |           |           |          |
| Mounting form/operator module grey,<br>V-handle black, mounting form 028V1             |           |               | H200-E                             |                               |            | <b>BFA2 - 028V1</b>             |           |           |          |
| Mounting form/operator module grey,<br>V-handle black, mounting form 027V1             |           |               |                                    |                               |            | <b>BFA2 - 027V1</b>             |           |           |          |
| Legend plate grey, mounting form/operator module 028V1/027V1                           |           |               |                                    |                               |            | <b>FAV2 - 9 ... (FA number)</b> |           |           |          |
| <b>Dimensions (mm)</b>   |           |               |                                    |                               |            |                                 |           |           |          |
| <b>Product line</b>  | <b>A1</b> | <b>A2</b>     | <b>B</b>                           | <b>B1</b>                     | <b>B2</b>  | <b>C</b>                        | <b>C1</b> | <b>C2</b> | <b>H</b> |
| H200-E   | 45        | 76            | 72                                 | 84                            | 96         | 40                              | 51,5      | 25,5      | 70       |



# Base Mounting Switches

# sälzer

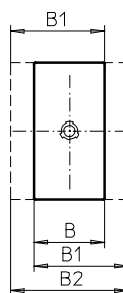
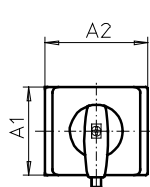
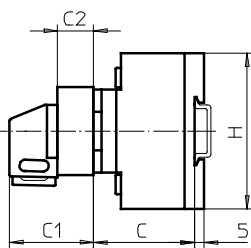
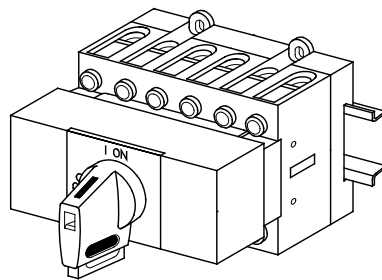
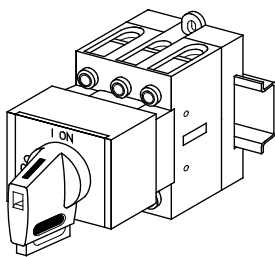
**Product lines**  
H200-A/-B/-D

**Base mounting switch**

**Base/front mounting**

**DIN rail**  
with cover plate  
45 mm aperture

**026V1**  
**026V4**



| Complete switch   | Poles   | Product lines | Rated data (IEC 60947)             |                               |            | Order code number            |
|---|---------|---------------|------------------------------------|-------------------------------|------------|------------------------------|
|   |         |               | Operational current I <sub>e</sub> | Operational power at 380–440V |            |                              |
|   |         |               | AC-21A<br>A                        | AC-23A<br>kW                  | AC-3<br>kW |                              |
| Main Switches<br>OFF position padlockable 09h               | 3 ... 8 | H200-A/-D     | 20                                 | 5,5                           | 3,7        | <b>H216 - 41 ... - 026V1</b> |
|   |         |               | 25                                 | 7,5                           | 5,5        | <b>H220 - 41 ... - 026V1</b> |
|   |         |               | 32                                 | 11                            | 7,5        | <b>H226 - 41 ... - 026V1</b> |
|   |         |               | 40                                 | 15                            | 11         | <b>H233 - 41 ... - 026V1</b> |
|   |         |               | 63                                 | 22                            | 18,5       | <b>H263 - 41 ... - 026V1</b> |
| Main/Emergency-Off Switches<br>OFF position padlockable 09h | 3 ... 8 | H200-A/-D     | 20                                 | 5,5                           | 3,7        | <b>H216 - 41 ... - 026V4</b> |
|   |         |               | 25                                 | 7,5                           | 5,5        | <b>H220 - 41 ... - 026V4</b> |
|   |         |               | 32                                 | 11                            | 7,5        | <b>H226 - 41 ... - 026V4</b> |
|   |         |               | 40                                 | 15                            | 11         | <b>H233 - 41 ... - 026V4</b> |
|   |         |               | 63                                 | 22                            | 18,5       | <b>H263 - 41 ... - 026V4</b> |
|   | 3 ... 4 | H200-B        |                                    |                               |            |                              |

### SMD modules for basic switch A02

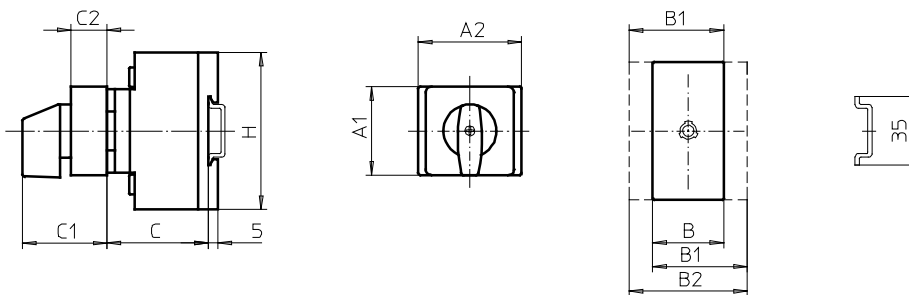
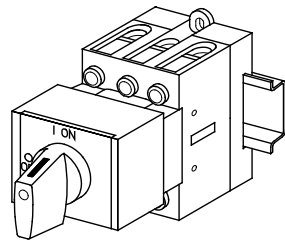
|  |                            |   |
|--|----------------------------|---|
| Mounting form/operator module grey,<br>V-handle black, mounting form 026V1 | H200-A<br>H200-B<br>H200-D | <b>BFA2 - 026V1</b><br><b>BFB2 - 026V1</b><br><b>BFD2 - 026V1</b> |
| Legend plate grey, mounting form/operator module 026V1                     | H200-A/-B/-D               | <b>FAV2 - 9...</b> (FA number)                                    |
| Mounting form/operator module grey,<br>V-handle red, mounting form 026V4   | H200-A<br>H200-B<br>H200-D | <b>BFA2 - 026V4</b><br><b>BFB2 - 026V4</b><br><b>BFD2 - 026V4</b> |
| Legend plate yellow, mounting form/operator module 026V4                   | H200-A/-B/-D               | <b>FBV2 - 9...</b> (FA number)                                    |

### Dimensions (mm)

| Product lines | A1 | A2   | B  | B1 | B2 | C  | C1   | C2   | H  |
|---------------|----|------|----|----|----|----|------|------|----|
| H200-A        | 45 | 48   | 36 | 48 | 60 | 38 | 45   | 18,5 | 70 |
| H200-B        | 45 | 52,5 | 50 | 69 | 88 | 38 | 45   | 18,5 | 72 |
| H200-D        | 45 | 76   | 72 | 84 | 96 | 40 | 51,5 | 25,5 | 70 |

# Base Mounting Switches

**sälzer**



**Product line  
H200-A**

**Base mounting switch**

**Base/front mounting**

**DIN rail**  
with cover plate  
45 x 60 mm aperture

**126M1**

| Complete switch                        | Poles   | Product lines | Rated data (IEC 60947)    |                        |                               | Order code number  |
|--|---------|---------------|---------------------------|------------------------|-------------------------------|--|
|  |         |               | Operational current $I_e$ |                        | Operational power at 380–440V |  |
|  |         |               | AC-21A<br>A               | AC-23A<br>kW           |                               |  |
| ON-OFF Switches<br>Switching angle 90° | 3 ... 4 | H200-A        | 20<br>25<br>32<br>40      | 5,5<br>7,5<br>11<br>15 | 3,7<br>5,5<br>7,5<br>11       | <b>H216 - 41 ... - 126M1</b><br><b>H220 - 41 ... - 126M1</b><br><b>H226 - 41 ... - 126M1</b><br><b>H233 - 41 ... - 126M1</b> |

## SMD modules for basic switch A02

Mounting form/operator module grey, M-handle black, mounting form 126M1 H200-A

**BFA2 - 126M1**

Legend plate grey, mounting form/operator module 126M1

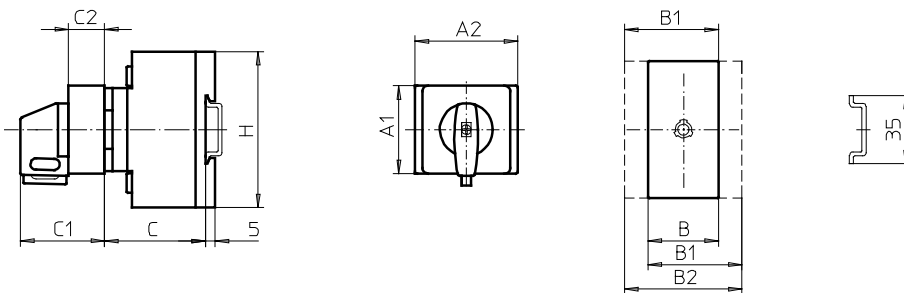
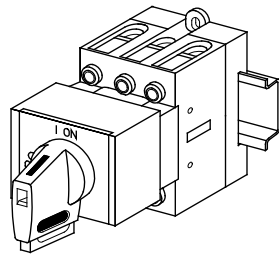
**FAV2 - 9...(FA number)**

## Dimensions (mm)

| Product line | A1 | A2 | B  | B1 | B2 | C  | C1 | C2   | H  |
|--------------|----|----|----|----|----|----|----|------|----|
| H200-A       | 45 | 60 | 36 | 48 | 60 | 38 | 45 | 18,5 | 70 |

# Base Mounting Switches

# sälzer



**Product line**  
**H200-A**

**Base mounting switch**

**Base/front mounting**

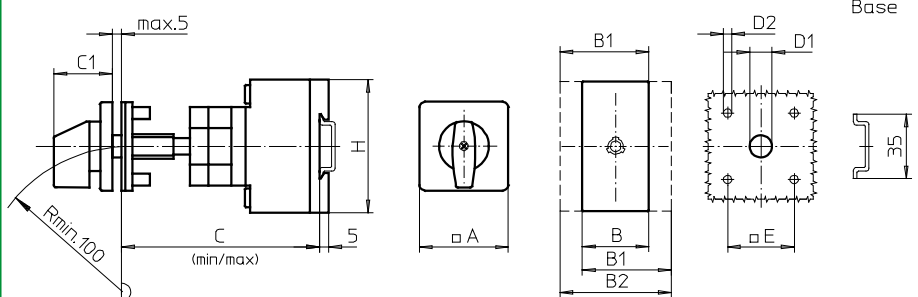
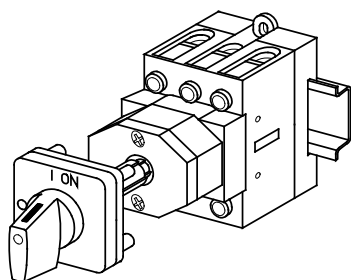
**DIN rail**  
with cover plate  
45 × 60 mm aperture

**126V1**  
**126V4**

| Complete switch  | Poles     | Product lines | Rated data (IEC 60947)             |                               |            | Order code number                                     |           |           |          |
|--|-----------|---------------|------------------------------------|-------------------------------|------------|---|-----------|-----------|----------|
|  |           |               | Operational current I <sub>e</sub> | Operational power at 380–440V |            |   |           |           |          |
|  |           |               | AC-21A<br>A                        | AC-23A<br>kW                  | AC-3<br>kW |   |           |           |          |
| Main Switches<br>OFF position padlockable 09h  | 3 ... 4   | H200-A        | 20                                 | 5,5                           | 3,7        | <b>H216 - 41 ... - 126V1</b>                          |           |           |          |
|  |           |               | 25                                 | 7,5                           | 5,5        | <b>H220 - 41 ... - 126V1</b>                          |           |           |          |
|  |           |               | 32                                 | 11                            | 7,5        | <b>H226 - 41 ... - 126V1</b>                          |           |           |          |
|  |           |               | 40                                 | 15                            | 11         | <b>H233 - 41 ... - 126V1</b>                          |           |           |          |
| Main/Emergency-Off Switches<br>OFF position padlockable 09h  | 3 ... 4   | H200-A        | 20                                 | 5,5                           | 3,7        | <b>H216 - 41 ... - 126V4</b>                          |           |           |          |
|  |           |               | 25                                 | 7,5                           | 5,5        | <b>H220 - 41 ... - 126V4</b>                          |           |           |          |
|  |           |               | 32                                 | 11                            | 7,5        | <b>H226 - 41 ... - 126V4</b>                          |           |           |          |
|  |           |               | 40                                 | 15                            | 11         | <b>H233 - 41 ... - 126V4</b>                          |           |           |          |
| <b>SMD modules for basic switch A02</b>  |           |               |                                    |                               |            |   |           |           |          |
| Mounting form/operator module grey, V-handle black, mounting form 126V1 H200-A<br>Legend plate grey, mounting form/operator module 126V1 |           |               |                                    |                               |            | <b>BFA2 - 126V1</b><br><b>FAV2 - 9...</b> (FA number) |           |           |          |
| Mounting form/operator module grey, V-handle red, mounting form 126V4<br>Legend plate yellow, mounting form/operator module 126V4        |           |               |                                    |                               |            | <b>BFA2 - 126V4</b><br><b>FBV2 - 9...</b> (FA number) |           |           |          |
| <b>Dimensions (mm)</b>   |           |               |                                    |                               |            |   |           |           |          |
| <b>Product line</b>  | <b>A1</b> | <b>A2</b>     | <b>B</b>                           | <b>B1</b>                     | <b>B2</b>  | <b>C</b>  | <b>C1</b> | <b>C2</b> | <b>H</b> |
| H200-A   | 45        | 60            | 36                                 | 48                            | 60         | 38  | 45        | 18,5      | 70       |

# Base Mounting Switches

# sälzer



**Product lines**  
**H200-A/-B**

**Base mounting switch**

**Door clutch**

Modular shaft extension

**Four hole mounting**

36 x 36 mm front

**241M1 (IP66)**

| Complete switch                        | Poles   | Product lines | Rated data (IEC 60947)             |                               |            | Order code number            |
|--|---------|---------------|------------------------------------|-------------------------------|------------|------------------------------|
|  |         |               | Operational current I <sub>e</sub> | Operational power at 380–440V |            |                              |
|  |         |               | AC-21A<br>A                        | AC-23A<br>kW                  | AC-3<br>kW |                              |
| ON-OFF Switches<br>Switching angle 90° | 3 ... 4 | H200-A        | 20                                 | 5,5                           | 3,7        | <b>H216 - 41 ... - 241M1</b> |
|  |         |               | 25                                 | 7,5                           | 5,5        | <b>H220 - 41 ... - 241M1</b> |
|  |         |               | 32                                 | 11                            | 7,5        | <b>H226 - 41 ... - 241M1</b> |
|  |         |               | 40                                 | 15                            | 11         | <b>H233 - 41 ... - 241M1</b> |
|  |         |               | 63                                 | 22                            | 18,5       | <b>H263 - 41 ... - 241M1</b> |
|  | 3 ... 4 | H200-B        |                                    |                               |            |                              |

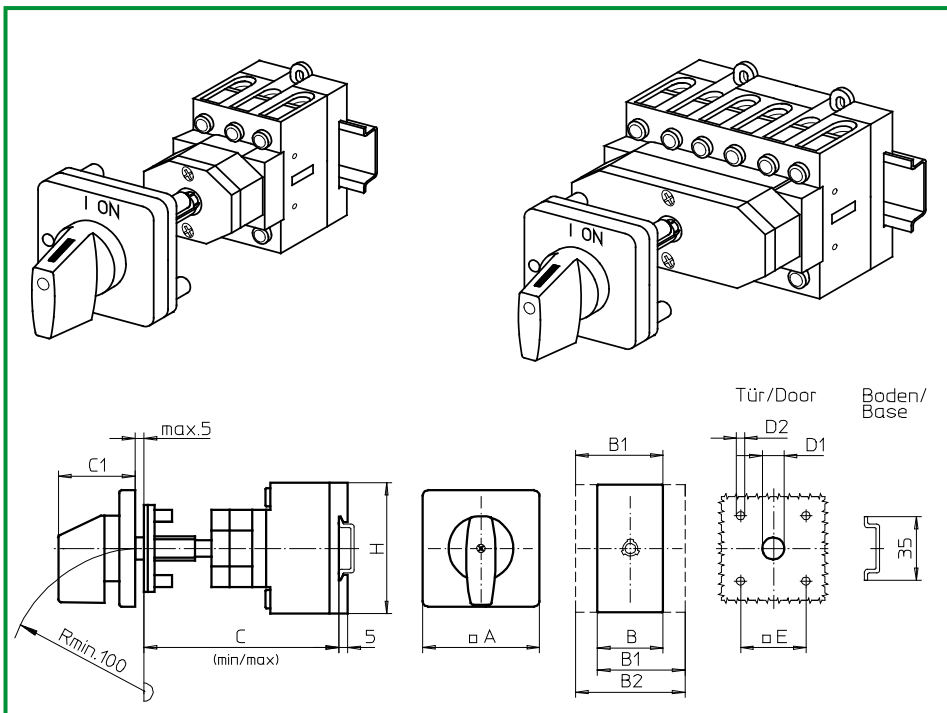
| SMD modules for basic switch A02  |                  |  |
|---|------------------|--|
| Mounting form module for 241M1  | H200-A<br>H200-B | <b>BFA2 - 241</b><br><b>BFC2 - 241</b> |
| M-operator module 48 x 48 mm, mounting form 241M1<br>Escutcheon black, handle black | H200-A/-B        | <b>2AM1</b>                            |
| Legend plate silver, operator module 241M1  |                  | <b>FAS2 - 9...</b> (FA number)         |

| Dimensions (mm) |    |    |    |    |      |      |    |    |     |    |    |
|-----------------|----|----|----|----|------|------|----|----|-----|----|----|
| Product lines   | A  | B  | B1 | B2 | Cmin | Cmax | C1 | D1 | D2  | E  | H  |
| H200-A          | 48 | 36 | 48 | 60 | 92   | 109  | 32 | 12 | 4,5 | 36 | 70 |
| H200-B          | 48 | 50 | 69 | 88 | 92   | 109  | 32 | 12 | 4,5 | 36 | 72 |

Modular shaft extensions see page B2-11.

# Base Mounting Switches

# sälzer



**Product lines**  
H200-A/-B/-D/-E

**Base mounting switch**  
Operator module of next size

**Door clutch**  
Modular shaft extension

**Four hole mounting**  
48 x 48 mm front

**247M1** (IP66)

| Complete switch                            | Poles   | Product lines | Rated data (IEC 60947)             |                               |            | Order code number            |
|--|---------|---------------|------------------------------------|-------------------------------|------------|------------------------------|
|  |         |               | Operational current I <sub>e</sub> | Operational power at 380–440V |            |                              |
|  |         |               | AC-21A<br>A                        | AC-23A<br>kW                  | AC-3<br>kW |                              |
| ON-OFF Switches<br>Switching angle 90°     | 3 ... 8 | H200-A/-D     | 20                                 | 5,5                           | 3,7        | <b>H216 - 41 ... - 247M1</b> |
|  |         |               | 25                                 | 7,5                           | 5,5        | <b>H220 - 41 ... - 247M1</b> |
|  |         |               | 32                                 | 11                            | 7,5        | <b>H226 - 41 ... - 247M1</b> |
|  |         |               | 40                                 | 15                            | 11         | <b>H233 - 41 ... - 247M1</b> |
|  | 3 ... 4 | H200-B        | 63                                 | 22                            | 18,5       | <b>H263 - 41 ... - 247M1</b> |
| Changeover with OFF<br>Switching angle 90° | 3 ... 4 | H200-E        | 20                                 | 5,5                           | 3,7        | <b>H216 - 71 ... - 247M1</b> |
|  |         |               | 25                                 | 7,5                           | 5,5        | <b>H220 - 71 ... - 247M1</b> |
|  |         |               | 32                                 | 11                            | 7,5        | <b>H226 - 71 ... - 247M1</b> |
|  |         |               | 40                                 | 15                            | 11         | <b>H233 - 71 ... - 247M1</b> |

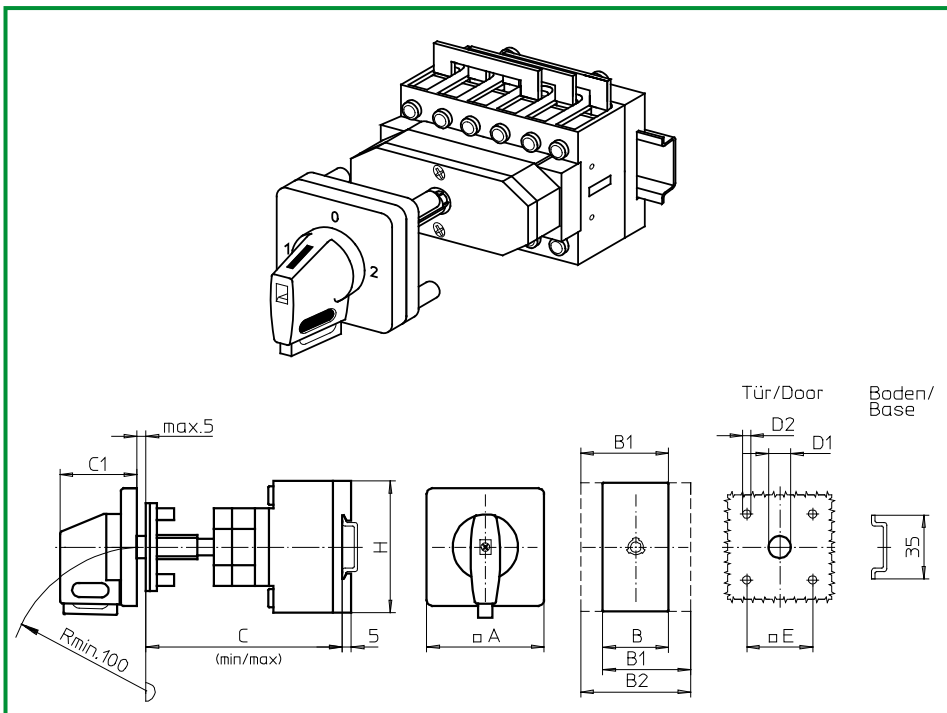
| SMD modules for basic switch A02  |                               |   |
|---|-------------------------------|---|
| Mounting form module for 247M1  | H200-A<br>H200-B/-D<br>H200-E | <b>BFA2 - 247</b><br><b>BFB2 - 247</b><br><b>BFD2 - 247</b> |
| M-operator module 64 x 64 mm, mounting form 247M1<br>Escutcheon black, handle black | H200-A/-B/-D/-E               | <b>4AM1</b>   |
| Legend plate silver, operator module 247M1  |                               | <b>FAS4 - 9...</b> (FA number)                              |

| Dimensions (mm) |    |    |    |    |      |      |    |    |    |    |    |
|-----------------|----|----|----|----|------|------|----|----|----|----|----|
| Product lines   | A  | B  | B1 | B2 | Cmin | Cmax | C1 | D1 | D2 | E  | H  |
| H200-A          | 64 | 36 | 48 | 60 | 92   | 109  | 39 | 15 | 5  | 48 | 70 |
| H200-B          | 64 | 50 | 69 | 88 | 92   | 109  | 39 | 15 | 5  | 48 | 72 |
| H200-D          | 64 | 72 | 84 | 96 | 100  | 117  | 39 | 15 | 5  | 48 | 70 |
| H200-E          | 64 | 72 | 84 | 96 | 100  | 117  | 39 | 15 | 5  | 48 | 70 |

Modular shaft extensions see page B2-11.

# Base Mounting Switches

# sälzer



**Product line**  
**H200-E**

**Base mounting switch**  
Operator module of next size

**Door clutch**  
Modular shaft extension

**Four hole mounting**  
48 x 48 mm front

**247V1** (IP66)

**246V1** (IP66)

| Complete switch  | Poles   | Product lines | Rated data (IEC 60947)             |                               |            | Order code number            |
|--|---------|---------------|------------------------------------|-------------------------------|------------|------------------------------|
|  |         |               | Operational current I <sub>e</sub> | Operational power at 380–440V |            |                              |
|  |         |               | AC-21A<br>A                        | AC-23A<br>kW                  | AC-3<br>kW |                              |
| Changeover with OFF<br>Switching angle 90°<br>OFF position padlockable 12h             | 3 ... 4 | H200-E        | 20                                 | 5,5                           | 3,7        | <b>H216 - 71 ... - 247V1</b> |
|  |         |               | 25                                 | 7,5                           | 5,5        | <b>H220 - 71 ... - 247V1</b> |
|  |         |               | 32                                 | 11                            | 7,5        | <b>H226 - 71 ... - 247V1</b> |
|  |         |               | 40                                 | 15                            | 11         | <b>H233 - 11 ... - 247V1</b> |
| Changeover with OFF<br>Switching angle 90°<br>3 positions padlockable<br>(09h/12h/03h) | 3 ... 4 | H200-E        | 20                                 | 5,5                           | 3,7        | <b>H216 - 71 ... - 246V1</b> |
|  |         |               | 25                                 | 7,5                           | 5,5        | <b>H220 - 71 ... - 246V1</b> |
|  |         |               | 32                                 | 11                            | 7,5        | <b>H226 - 71 ... - 246V1</b> |
|  |         |               | 40                                 | 15                            | 11         | <b>H233 - 71 ... - 246V1</b> |

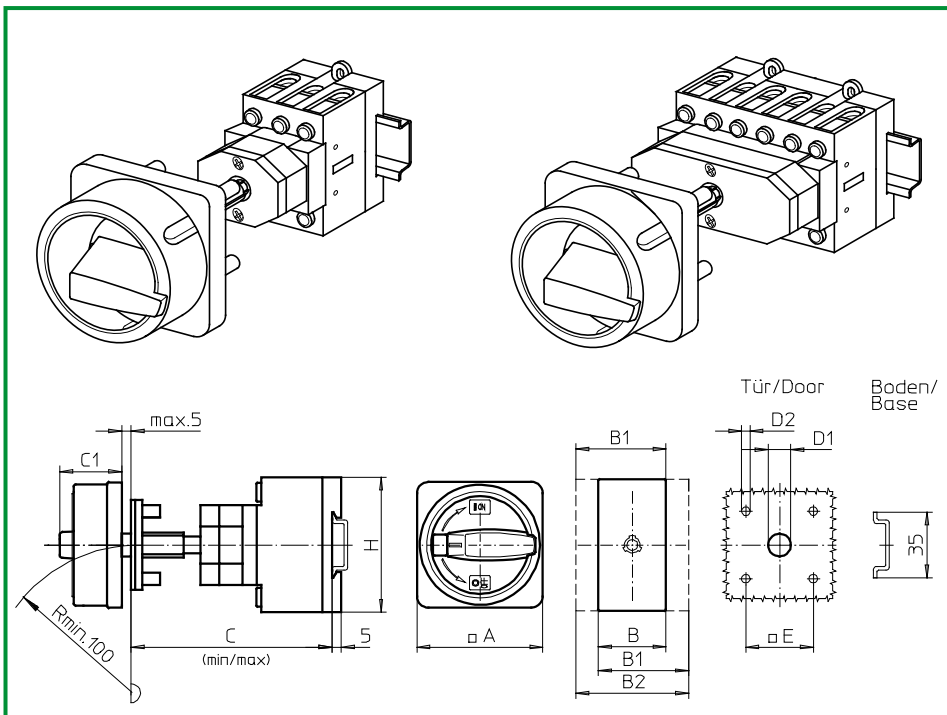
| SMD modules for basic switch A02  |  |        |                                |
|---|--|--------|--------------------------------|
| Mounting form module for 247V1/246V1  |  | H200-E | <b>BFD2 - 247</b>              |
| V-operator module 64 x 64 mm, mounting form 247V1<br>Escutcheon black, handle black |  |        | <b>4AV1 - 12</b>               |
| V-operator module 64 x 64 mm, mounting form 246V1<br>Escutcheon black, handle black |  |        | <b>4AV1 - 99</b>               |
| Legend plate silver, operator modules 247V1/246V1                                   |  |        | <b>FAS4 - 9...</b> (FA number) |

| Dimensions (mm) |    |    |    |    |      |      |    |    |    |    |    |
|-----------------|----|----|----|----|------|------|----|----|----|----|----|
| Product line    | A  | B  | B1 | B2 | Cmin | Cmax | C1 | D1 | D2 | E  | H  |
| H200-E          | 64 | 72 | 84 | 96 | 100  | 117  | 39 | 15 | 5  | 48 | 70 |

Modular shaft extensions see page B2-11.

# Base Mounting Switches

# sälzer



**Product lines**  
H200-A/-B/-D

**Base mounting switch**

**Door clutch**

Modular shaft extension

**Four hole mounting**

36 × 36 mm front

**232M1** (IP66)

**232M4** (IP66)

| Complete switch   | Poles   | Product lines | Rated data (IEC 60947)             |                               |            | Order code number            |
|---|---------|---------------|------------------------------------|-------------------------------|------------|------------------------------|
|   |         |               | Operational current I <sub>e</sub> | Operational power at 380–440V |            |                              |
|   |         |               | AC-21A<br>A                        | AC-23A<br>kW                  | AC-3<br>kW |                              |
| Main Switches<br>OFF position padlockable 09h               | 3 ... 8 | H200-A/-D     | 20                                 | 5,5                           | 3,7        | <b>H216 - 41 ... - 232M1</b> |
|   |         |               | 25                                 | 7,5                           | 5,5        | <b>H220 - 41 ... - 232M1</b> |
|   |         |               | 32                                 | 11                            | 7,5        | <b>H226 - 41 ... - 232M1</b> |
|   |         |               | 40                                 | 15                            | 11         | <b>H233 - 41 ... - 232M1</b> |
|   |         |               | 63                                 | 22                            | 18,5       | <b>H263 - 41 ... - 232M1</b> |
| Main/Emergency-Off Switches<br>OFF position padlockable 09h | 3 ... 8 | H200-A/-D     | 20                                 | 5,5                           | 3,7        | <b>H216 - 41 ... - 232M4</b> |
|   |         |               | 25                                 | 7,5                           | 5,5        | <b>H220 - 41 ... - 232M4</b> |
|   |         |               | 32                                 | 11                            | 7,5        | <b>H226 - 41 ... - 232M4</b> |
|   |         |               | 40                                 | 15                            | 11         | <b>H233 - 41 ... - 232M4</b> |
|   |         |               | 63                                 | 22                            | 18,5       | <b>H263 - 41 ... - 232M4</b> |
|   | 3 ... 4 | H200-B        |                                    |                               |            |                              |

## SMD modules for basic switch A02

Mounting form module for 232M.

H200-A  
H200-B/-D

**BFA2 - 232**  
**BFB2 - 232**

M-padlock device 67 × 67 mm, mounting form 232M1  
Escutcheon black, padlockable handle black

H200-A/-B/-D

**2CM1**

M-padlock device 67 × 67 mm, mounting form 232M4  
Escutcheon yellow, padlockable handle red

**2CM4**

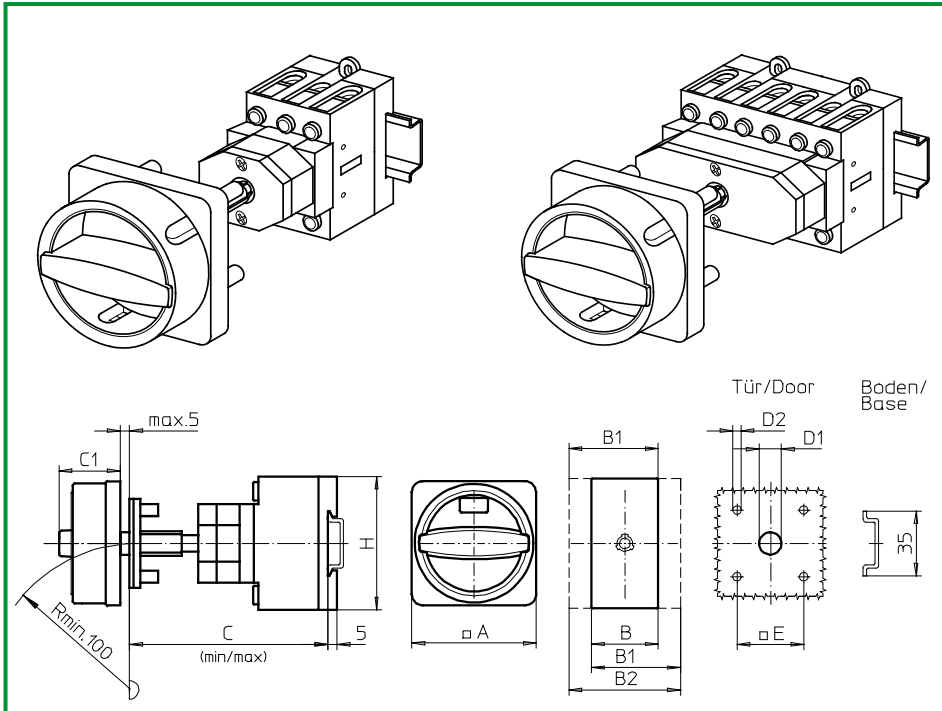
## Dimensions (mm)

| Product lines | A  | B  | B1 | B2 | C <sub>min</sub> | C <sub>max</sub> | C1 | D1 | D2  | E  | H  |
|---------------|----|----|----|----|------------------|------------------|----|----|-----|----|----|
| H200-A        | 67 | 36 | 48 | 60 | 92               | 109              | 38 | 15 | 4,5 | 36 | 70 |
| H200-B        | 67 | 50 | 69 | 88 | 92               | 109              | 38 | 15 | 4,5 | 36 | 72 |
| H200-D        | 67 | 72 | 84 | 96 | 100              | 117              | 38 | 15 | 4,5 | 36 | 70 |

Modular shaft extensions see page B2-11.

# Base Mounting Switches

**sälzer**



**Product lines  
H200-A/-B/-D**

**Base mounting switch**

**Door clutch**

Modular shaft extension

**Four hole mounting**

36 x 36 mm front

**232N1 (IP66)**

**232N4 (IP66)**

| Complete switch   | Poles   | Product lines | Rated data (IEC 60947)             |                               |            | Order code number            |
|---|---------|---------------|------------------------------------|-------------------------------|------------|------------------------------|
|   |         |               | Operational current I <sub>e</sub> | Operational power at 380–440V |            |                              |
|   |         |               | AC-21A<br>A                        | AC-23A<br>kW                  | AC-3<br>kW |                              |
| Main Switches<br>OFF position padlockable 12h               | 3 ... 8 | H200-A/-D     | 20                                 | 5,5                           | 3,7        | <b>H216 - 41 ... - 232N1</b> |
|   |         |               | 25                                 | 7,5                           | 5,5        | <b>H220 - 41 ... - 232N1</b> |
|   |         |               | 32                                 | 11                            | 7,5        | <b>H226 - 41 ... - 232N1</b> |
|   |         |               | 40                                 | 15                            | 11         | <b>H233 - 41 ... - 232N1</b> |
|   |         |               | 63                                 | 22                            | 18,5       | <b>H263 - 41 ... - 232N1</b> |
| Main/Emergency-Off Switches<br>OFF position padlockable 12h | 3 ... 8 | H200-A/-D     | 20                                 | 5,5                           | 3,7        | <b>H216 - 41 ... - 232N4</b> |
|   |         |               | 25                                 | 7,5                           | 5,5        | <b>H220 - 41 ... - 232N4</b> |
|   |         |               | 32                                 | 11                            | 7,5        | <b>H226 - 41 ... - 232N4</b> |
|   |         |               | 40                                 | 15                            | 11         | <b>H233 - 41 ... - 232N4</b> |
|   |         |               | 63                                 | 22                            | 18,5       | <b>H263 - 41 ... - 232N4</b> |
|   | 3 ... 4 | H200-B        |                                    |                               |            |                              |

## SMD modules for basic switch A02

Mounting form module for 232N.

H200-A  
H200-B/-D

**BFA2 - 232**  
**BFB2 - 232**

N-padlock device 67 x 67 mm, mounting form 232N1  
Escutcheon black, padlockable handle black

H200-A/-B/-D

**2CN1**

N-padlock device 67 x 67 mm, mounting form 232N4  
Escutcheon yellow, padlockable handle red

**2CN4**

## Dimensions (mm)

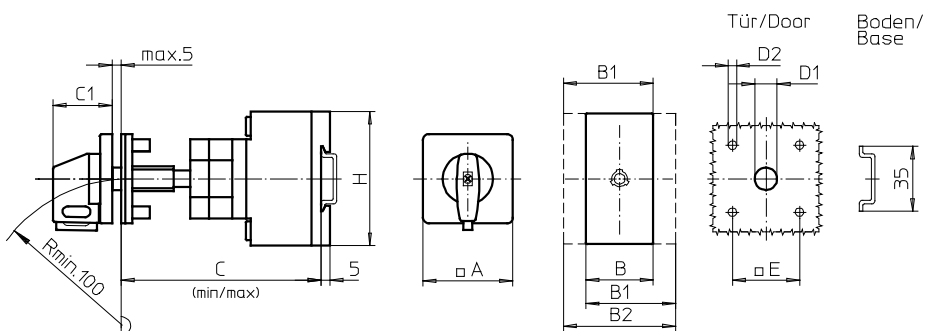
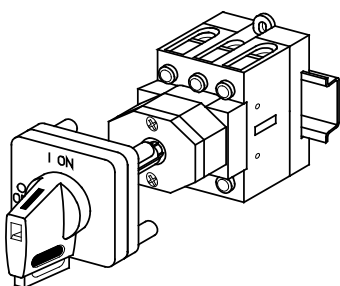
| Product lines | A  | B  | B1 | B2 | C <sub>min</sub> | C <sub>max</sub> | C1 | D1 | D2  | E  | H  |
|---------------|----|----|----|----|------------------|------------------|----|----|-----|----|----|
| H200-A        | 67 | 36 | 48 | 60 | 92               | 109              | 33 | 15 | 4,5 | 36 | 70 |
| H200-B        | 67 | 50 | 69 | 88 | 92               | 109              | 33 | 15 | 4,5 | 36 | 72 |
| H200-D        | 67 | 72 | 84 | 96 | 100              | 117              | 33 | 15 | 4,5 | 36 | 70 |

Modular shaft extensions see page B2-11.



# Base Mounting Switches

# sälzer



**Product lines**  
**H200-A/-B**

**Base mounting switch**

**Door clutch**

Modular shaft extension

**Four hole mounting**

36 × 36 mm front

**232V1** (IP66)

**232V4** (IP66)

| Complete switch   | Poles   | Product lines | Rated data (IEC 60947)             |                               |            | Order code number            |
|---|---------|---------------|------------------------------------|-------------------------------|------------|------------------------------|
|   |         |               | Operational current I <sub>e</sub> | Operational power at 380–440V |            |                              |
|   |         |               | AC-21A<br>A                        | AC-23A<br>kW                  | AC-3<br>kW |                              |
| Main Switches<br>OFF position padlockable 09h               | 3 ... 4 | H200-A        | 20                                 | 5,5                           | 3,7        | <b>H216 - 41 ... - 232V1</b> |
|   |         |               | 25                                 | 7,5                           | 5,5        | <b>H220 - 41 ... - 232V1</b> |
|   |         |               | 32                                 | 11                            | 7,5        | <b>H226 - 41 ... - 232V1</b> |
|   |         |               | 40                                 | 15                            | 11         | <b>H233 - 41 ... - 232V1</b> |
|   |         |               | 63                                 | 22                            | 18,5       | <b>H263 - 41 ... - 232V1</b> |
| Main/Emergency-Off Switches<br>OFF position padlockable 09h | 3 ... 4 | H200-A        | 20                                 | 5,5                           | 3,7        | <b>H216 - 41 ... - 232V4</b> |
|   |         |               | 25                                 | 7,5                           | 5,5        | <b>H220 - 41 ... - 232V4</b> |
|   |         |               | 32                                 | 11                            | 7,5        | <b>H226 - 41 ... - 232V4</b> |
|   |         |               | 40                                 | 15                            | 11         | <b>H233 - 41 ... - 232V4</b> |
|   |         |               | 63                                 | 22                            | 18,5       | <b>H263 - 41 ... - 232V4</b> |
|   | 3 ... 4 | H200-B        |                                    |                               |            |                              |

### SMD modules for basic switch A02

Mounting form module for 232V.

H200-A  
H200-B

**BFA2 - 241**  
**BFC2 - 241**

V-operator module 48 × 48 mm, mounting form 232V1  
Escutcheon black, handle black

H200-A/-B

**2AV1 - 09**

Legend plate silver, operator module 232V1

**FAS2 - 9078**

V-operator module 48 × 48 mm, mounting form 232V4  
Escutcheon black, handle red

**2AV4 - 09**

Legend plate yellow, operator module 232V4

**FBS2 - 9078**

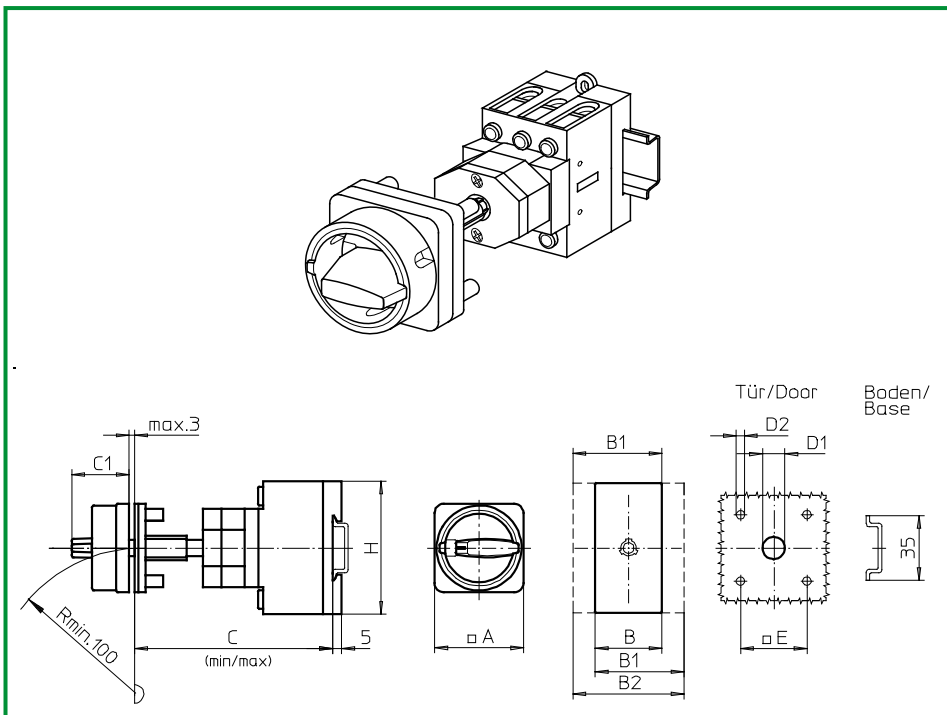
### Dimensions (mm)

| Product lines | A  | B  | B1 | B2 | C <sub>min</sub> | C <sub>max</sub> | C1 | D1 | D2  | E  | H  |
|---------------|----|----|----|----|------------------|------------------|----|----|-----|----|----|
| H200-A        | 48 | 36 | 48 | 60 | 92               | 109              | 32 | 12 | 4,5 | 36 | 70 |
| H200-B        | 48 | 50 | 69 | 88 | 92               | 109              | 32 | 12 | 4,5 | 36 | 72 |

Modular shaft extensions see page B2-11.

# Base Mounting Switches

# sälzer



**Product lines**  
**H200-A/-B**

**Base mounting switch**

**Door clutch**

Modular shaft extension

**Four hole mounting**

36 x 36 mm front

**231M1** (IP66)

**231M4** (IP66)

| Complete switch   | Poles   | Product lines | Rated data (IEC 60947)             |                               |            | Order code number            |
|---|---------|---------------|------------------------------------|-------------------------------|------------|------------------------------|
|   |         |               | Operational current I <sub>e</sub> | Operational power at 380–440V |            |                              |
|   |         |               | AC-21A<br>A                        | AC-23A<br>kW                  | AC-3<br>kW |                              |
| Main Switches<br>OFF position padlockable 09h               | 3 ... 4 | H200-A        | 20                                 | 5,5                           | 3,7        | <b>H216 - 41 ... - 231M1</b> |
|   |         |               | 25                                 | 7,5                           | 5,5        | <b>H220 - 41 ... - 231M1</b> |
|   |         |               | 32                                 | 11                            | 7,5        | <b>H226 - 41 ... - 231M1</b> |
|   |         |               | 40                                 | 15                            | 11         | <b>H233 - 41 ... - 231M1</b> |
|   |         |               | 63                                 | 22                            | 18,5       | <b>H263 - 41 ... - 231M1</b> |
| Main/Emergency-Off Switches<br>OFF position padlockable 09h | 3 ... 4 | H200-A        | 20                                 | 5,5                           | 3,7        | <b>H216 - 41 ... - 231M4</b> |
|   |         |               | 25                                 | 7,5                           | 5,5        | <b>H220 - 41 ... - 231M4</b> |
|   |         |               | 32                                 | 11                            | 7,5        | <b>H226 - 41 ... - 231M4</b> |
|   |         |               | 40                                 | 15                            | 11         | <b>H233 - 41 ... - 231M4</b> |
|   |         |               | 63                                 | 22                            | 18,5       | <b>H263 - 41 ... - 231M4</b> |
| Main/Emergency-Off Switches<br>OFF position padlockable 09h | 3 ... 4 | H200-B        | 20                                 | 5,5                           | 3,7        | <b>H216 - 41 ... - 231M4</b> |
|   |         |               | 25                                 | 7,5                           | 5,5        | <b>H220 - 41 ... - 231M4</b> |
|   |         |               | 32                                 | 11                            | 7,5        | <b>H226 - 41 ... - 231M4</b> |
|   |         |               | 40                                 | 15                            | 11         | <b>H233 - 41 ... - 231M4</b> |
|   |         |               | 63                                 | 22                            | 18,5       | <b>H263 - 41 ... - 231M4</b> |

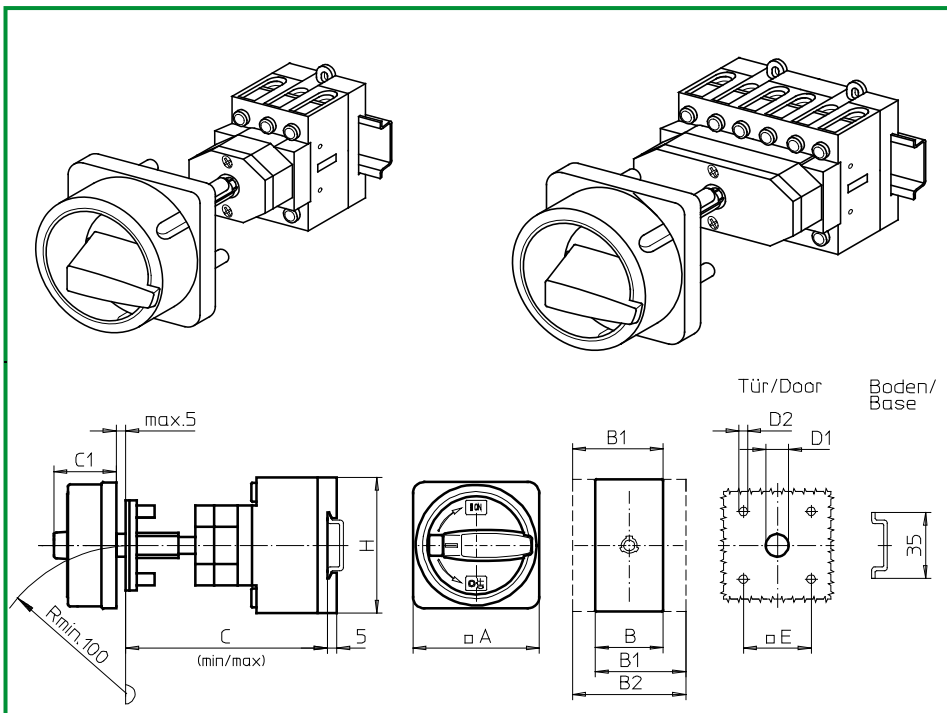
| SMD modules for basic switch A02   |                  |  |
|--|------------------|--|
| Mounting form module for 231M.   | H200-A<br>H200-B | <b>BFA2 - 241</b><br><b>BFC2 - 241</b> |
| M-padlock device 48 x 48 mm, mounting form 231M1<br>Escutcheon black, padlockable handle black | H200-A/-B        | <b>2BM1</b>                            |
| M-padlock device 48 x 48 mm, mounting form 231M4<br>Escutcheon yellow, padlockable handle red  |                  | <b>2BM4</b>                            |

| Dimensions (mm) |    |    |    |    |                  |                  |    |    |     |    |    |
|-----------------|----|----|----|----|------------------|------------------|----|----|-----|----|----|
| Product lines   | A  | B  | B1 | B2 | C <sub>min</sub> | C <sub>max</sub> | C1 | D1 | D2  | E  | H  |
| H200-A          | 48 | 36 | 48 | 60 | 92               | 109              | 31 | 12 | 4,5 | 36 | 70 |
| H200-B          | 48 | 50 | 69 | 88 | 92               | 109              | 31 | 12 | 4,5 | 36 | 72 |

**Modular shaft extensions see page B2-11.**

# Base Mounting Switches

**sälzer**



**Product lines**  
**H200-A/-B/-D**

**Base mounting switch**  
Operator module of next size

**Door clutch**  
Modular shaft extension

**Four hole mounting**  
48 x 48 mm front

**237M1** (IP66)  
**237M4** (IP66)

| Complete switch   | Poles   | Product lines | Rated data (IEC 60947)             |                               |            | Order code number            |
|---|---------|---------------|------------------------------------|-------------------------------|------------|------------------------------|
|   |         |               | Operational current I <sub>e</sub> | Operational power at 380–440V |            |                              |
|   |         |               | AC-21A<br>A                        | AC-23A<br>kW                  | AC-3<br>kW |                              |
| Main Switches<br>OFF position padlockable 09h               | 3 ... 8 | H200-A/-D     | 20                                 | 5,5                           | 3,7        | <b>H216 - 41 ... - 237M1</b> |
|   |         |               | 25                                 | 7,5                           | 5,5        | <b>H220 - 41 ... - 237M1</b> |
|   |         |               | 32                                 | 11                            | 7,5        | <b>H226 - 41 ... - 237M1</b> |
|   |         |               | 40                                 | 15                            | 11         | <b>H233 - 41 ... - 237M1</b> |
|   |         |               | 63                                 | 22                            | 18,5       | <b>H263 - 41 ... - 237M1</b> |
| Main/Emergency-Off Switches<br>OFF position padlockable 09h | 3 ... 8 | H200-A/-D     | 20                                 | 5,5                           | 3,7        | <b>H216 - 41 ... - 237M4</b> |
|   |         |               | 25                                 | 7,5                           | 5,5        | <b>H220 - 41 ... - 237M4</b> |
|   |         |               | 32                                 | 11                            | 7,5        | <b>H226 - 41 ... - 237M4</b> |
|   |         |               | 40                                 | 15                            | 11         | <b>H233 - 41 ... - 237M4</b> |
|   |         |               | 63                                 | 22                            | 18,5       | <b>H263 - 41 ... - 237M4</b> |
|   | 3 ... 4 | H200-B        |                                    |                               |            |                              |

## SMD modules for basic switch A02

Mounting form module for 237M.

H200-A  
H200-B/-D

**BFA2 - 237**  
**BFB2 - 237**

M-padlock device 67 x 67 mm, mounting form 237M1  
Escutcheon black, padlockable handle black

H200-A/-B/-D

**4BM1**

M-padlock device 67 x 67 mm, mounting form 237M4  
Escutcheon yellow, padlockable handle red

**4BM4**

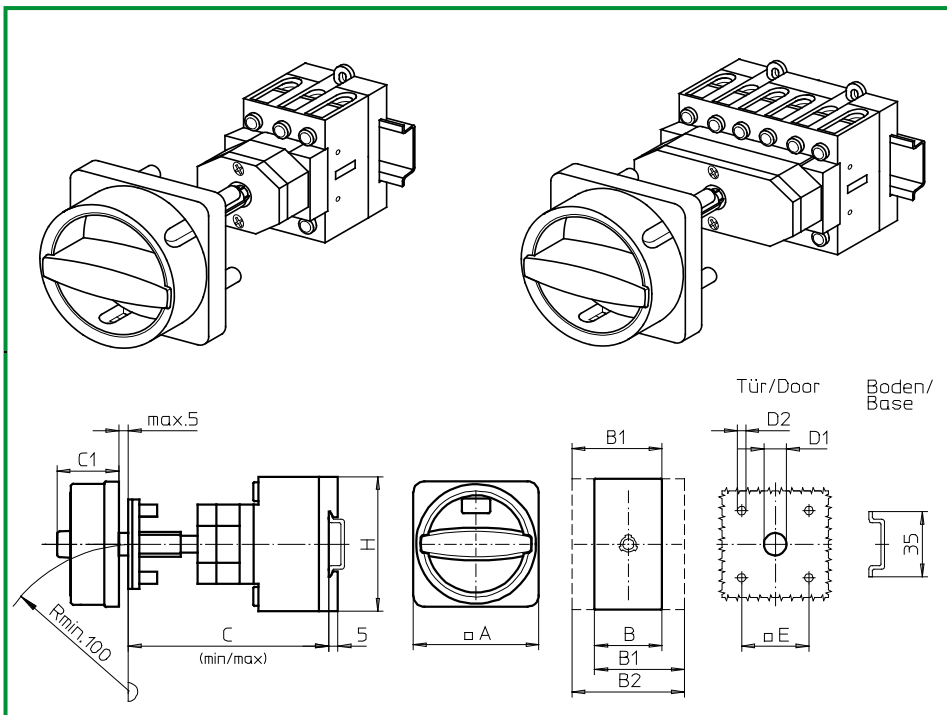
## Dimensions (mm)

| Product lines | A  | B  | B1 | B2 | C <sub>min</sub> | C <sub>max</sub> | C1 | D1 | D2 | E  | H  |
|---------------|----|----|----|----|------------------|------------------|----|----|----|----|----|
| H200-A        | 67 | 36 | 48 | 60 | 92               | 109              | 38 | 15 | 5  | 48 | 70 |
| H200-B        | 67 | 50 | 69 | 88 | 92               | 109              | 38 | 15 | 5  | 48 | 72 |
| H200-D        | 67 | 72 | 84 | 96 | 100              | 117              | 38 | 15 | 5  | 48 | 70 |

Modular shaft extensions see page B2-11.

# Base Mounting Switches

# sälzer



**Product lines**  
H200-A/-B/-D

**Base mounting switch**  
Operator module of next size

**Door clutch**  
Modular shaft extension

**Four hole mounting**  
48 x 48 mm front

**237N1** (IP66)  
**237N4** (IP66)

| Complete switch   | Poles   | Product lines | Rated data (IEC 60947)             |                               |            | Order code number            |
|---|---------|---------------|------------------------------------|-------------------------------|------------|------------------------------|
|   |         |               | Operational current I <sub>e</sub> | Operational power at 380–440V |            |                              |
|   |         |               | AC-21A<br>A                        | AC-23A<br>kW                  | AC-3<br>kW |                              |
| Main Switches<br>OFF position padlockable 12h               | 3 ... 8 | H200-A/-D     | 20                                 | 5,5                           | 3,7        | <b>H216 - 41 ... - 237N1</b> |
|   |         |               | 25                                 | 7,5                           | 5,5        | <b>H220 - 41 ... - 237N1</b> |
|   |         |               | 32                                 | 11                            | 7,5        | <b>H226 - 41 ... - 237N1</b> |
|   |         |               | 40                                 | 15                            | 11         | <b>H233 - 41 ... - 237N1</b> |
|   |         |               | 63                                 | 22                            | 18,5       | <b>H263 - 41 ... - 237N1</b> |
| Main/Emergency-Off Switches<br>OFF position padlockable 12h | 3 ... 8 | H200-A/-D     | 20                                 | 5,5                           | 3,7        | <b>H216 - 41 ... - 237N4</b> |
|   |         |               | 25                                 | 7,5                           | 5,5        | <b>H220 - 41 ... - 237N4</b> |
|   |         |               | 32                                 | 11                            | 7,5        | <b>H226 - 41 ... - 237N4</b> |
|   |         |               | 40                                 | 15                            | 11         | <b>H233 - 41 ... - 237N4</b> |
|   |         |               | 63                                 | 22                            | 18,5       | <b>H263 - 41 ... - 237N4</b> |
|   | 3 ... 4 | H200-B        |                                    |                               |            |                              |

### SMD modules for basic switch A02

Mounting form module for 237M.

H200-A  
H200-B/-D

**BFA2 - 237**  
**BFB2 - 237**

N-padlock device 67 x 67 mm, mounting form 237N1  
Escutcheon black, padlockable handle black

H200-A/-B/-D

**4BN1**

N-padlock device 67 x 67 mm, mounting form 237N4  
Escutcheon yellow, padlockable handle red

**4BN4**

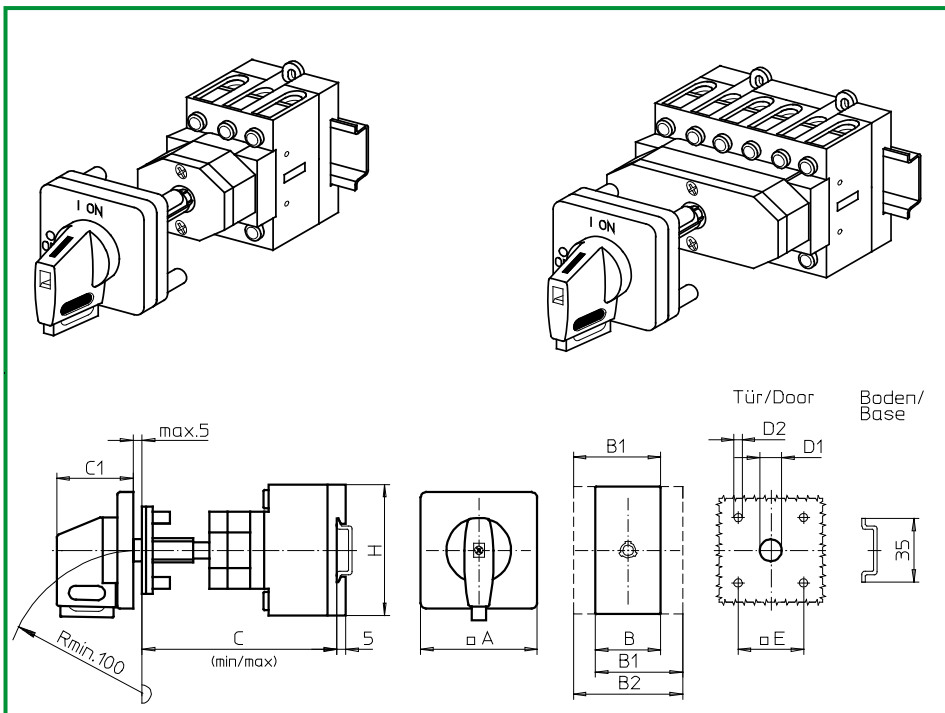
### Dimensions (mm)

| Product lines | A  | B  | B1 | B2 | C <sub>min</sub> | C <sub>max</sub> | C1 | D1 | D2 | E  | H  |
|---------------|----|----|----|----|------------------|------------------|----|----|----|----|----|
| H200-A        | 64 | 36 | 48 | 60 | 92               | 109              | 39 | 15 | 5  | 48 | 70 |
| H200-B        | 64 | 50 | 69 | 88 | 92               | 109              | 39 | 15 | 5  | 48 | 72 |
| H200-D        | 64 | 72 | 84 | 96 | 100              | 117              | 39 | 15 | 5  | 48 | 70 |

Modular shaft extensions see page B2-11.

# Base Mounting Switches

# sälzer



**Product lines**  
H200-A/-B/-D

**Base mounting switch**  
Operator module of next size

**Door clutch**  
Modular shaft extension

**Four hole mounting**  
48 x 48 mm front

**237V1** (IP66)  
**237V4** (IP66)

| Complete switch   | Poles   | Product lines | Rated data (IEC 60947)             |                               |            | Order code number            |
|---|---------|---------------|------------------------------------|-------------------------------|------------|------------------------------|
|   |         |               | Operational current I <sub>e</sub> | Operational power at 380–440V |            |                              |
|   |         |               | AC-21A<br>A                        | AC-23A<br>kW                  | AC-3<br>kW |                              |
| Main Switches<br>OFF position padlockable 09h               | 3 ... 8 | H200-A/-D     | 20                                 | 5,5                           | 3,7        | <b>H216 - 41 ... - 237V1</b> |
|   |         |               | 25                                 | 7,5                           | 5,5        | <b>H220 - 41 ... - 237V1</b> |
|   |         |               | 32                                 | 11                            | 7,5        | <b>H226 - 41 ... - 237V1</b> |
|   |         |               | 40                                 | 15                            | 11         | <b>H233 - 41 ... - 237V1</b> |
|   |         |               | 63                                 | 22                            | 18,5       | <b>H263 - 41 ... - 237V1</b> |
| Main/Emergency-Off Switches<br>OFF position padlockable 09h | 3 ... 8 | H200-A/-D     | 20                                 | 5,5                           | 3,7        | <b>H216 - 41 ... - 237V4</b> |
|   |         |               | 25                                 | 7,5                           | 5,5        | <b>H220 - 41 ... - 237V4</b> |
|   |         |               | 32                                 | 11                            | 7,5        | <b>H226 - 41 ... - 237V4</b> |
|   |         |               | 40                                 | 15                            | 11         | <b>H233 - 41 ... - 237V4</b> |
|   |         |               | 63                                 | 22                            | 18,5       | <b>H263 - 41 ... - 237V4</b> |
|   | 3 ... 4 | H200-B        |                                    |                               |            |                              |

## SMD modules for basic switch A02

Mounting form module for 237V.

H200-A  
H200-B/-D

**BFA2 - 247**  
**BFB2 - 247**

V-operator module 64 x 64 mm, mounting form 237V1  
Escutcheon black, handle black

H200-A/-B/-D

**4AV1 - 09**

Legend plate silver, operator module 237V1

**FAS4 - 9078**

V-operator module 64 x 64 mm, mounting form 237V4  
Escutcheon black, handle red

**4AV4 - 09**

Legend plate yellow, operator module 237V4

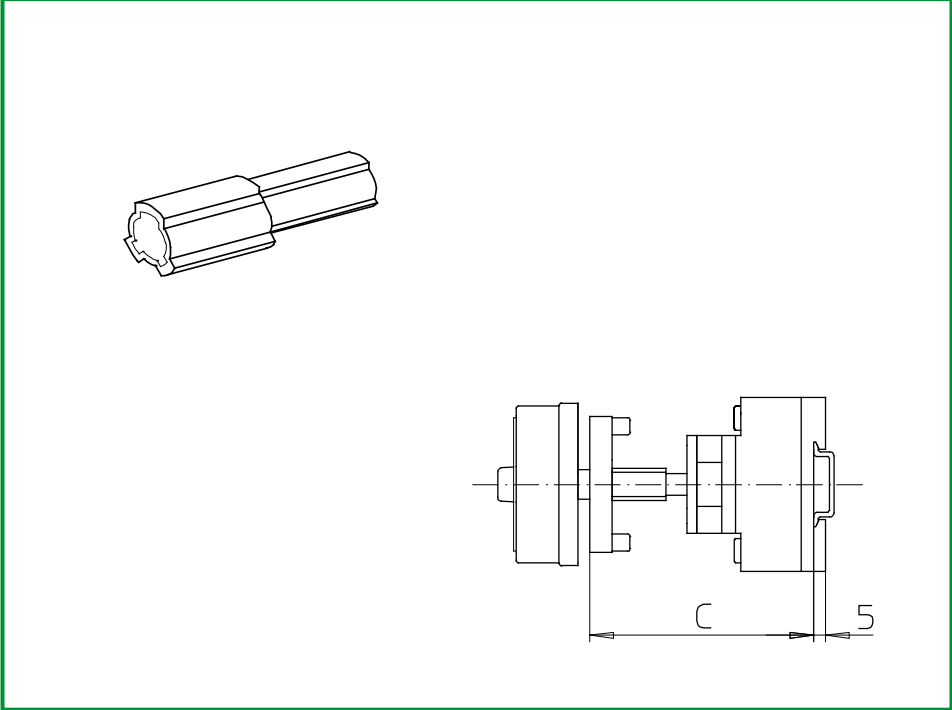
**FBS4 - 9078**

## Dimensions (mm)

| Product lines | A  | B  | B1 | B2 | Cmin | Cmax | C1 | D1 | D2 | E  | H  |
|---------------|----|----|----|----|------|------|----|----|----|----|----|
| H200-A        | 64 | 36 | 48 | 60 | 92   | 109  | 39 | 15 | 5  | 48 | 70 |
| H200-B        | 64 | 50 | 69 | 88 | 92   | 109  | 39 | 15 | 5  | 48 | 72 |
| H200-D        | 64 | 72 | 84 | 96 | 100  | 117  | 39 | 15 | 5  | 48 | 70 |

Modular shaft extensions see page B2-11.

**Modular shaft extension**



**Product lines**  
**H200-A/-B/-D/-E**

**Base mounting switch**

**Door cluch**  
 Modular shaft extension

**Four hole mounting**  
 Front

**AVD2**

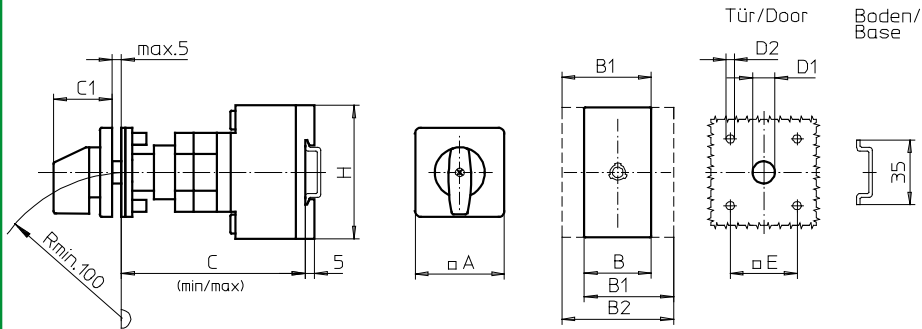
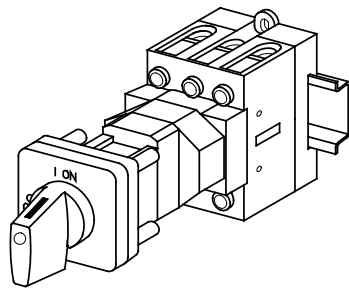
Modular shaft extensions for use with door cluch

Dimension C (Internal depth, inside of door to top of DIN rail)

| Dimension | H200-A/-B        | H200-D/-E        | No. | Order code number |
|-----------|------------------|------------------|-----|-------------------|
| 0         | 092 . . . 109 mm | 100 . . . 117 mm | -   | -                 |
| 1         | 110 . . . 134 mm | 118 . . . 142 mm | 1   | <b>AVD2</b>       |
| 2         | 135 . . . 159 mm | 143 . . . 167 mm | 2   | <b>AVD2</b>       |
| 3         | 160 . . . 184 mm | 168 . . . 192 mm | 3   | <b>AVD2</b>       |
| 4         | 185 . . . 209 mm | 193 . . . 217 mm | 4   | <b>AVD2</b>       |

# Base Mounting Switches

# sälzer



**Product lines**  
**H200-A/-B**

**Base mounting switch**

**Door interlock**  
Modular shaft extension

**Four hole mounting**  
36 × 36 mm front

**242M1 (IP66)**

| Complete switch                        | Poles   | Product lines | Rated data (IEC 60947)             |                               |            | Order code number            |
|--|---------|---------------|------------------------------------|-------------------------------|------------|------------------------------|
|  |         |               | Operational current I <sub>e</sub> | Operational power at 380–440V |            |                              |
|  |         |               | AC-21A<br>A                        | AC-23A<br>kW                  | AC-3<br>kW |                              |
| ON-OFF Switches<br>Switching angle 90° | 3 ... 4 | H200-A        | 20                                 | 5,5                           | 3,7        | <b>H216 - 41 ... - 242M1</b> |
|  |         |               | 25                                 | 7,5                           | 5,5        | <b>H220 - 41 ... - 242M1</b> |
|  |         |               | 32                                 | 11                            | 7,5        | <b>H226 - 41 ... - 242M1</b> |
|  |         |               | 40                                 | 15                            | 11         | <b>H233 - 41 ... - 242M1</b> |
|  | 3 ... 4 | H200-B        | 63                                 | 22                            | 18,5       | <b>H263 - 41 ... - 242M1</b> |

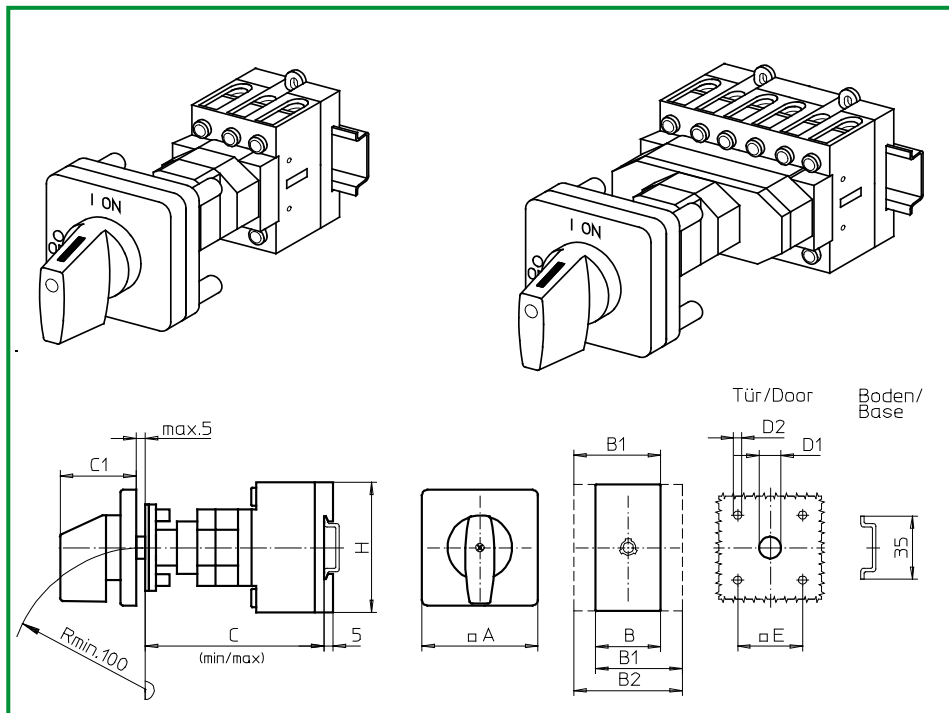
| SMD modules for basic switch A02  |                  |  |
|---|------------------|--|
| Mounting form module for 242M1  | H200-A<br>H200-B | <b>BFA2 - 242</b><br><b>BFC2 - 242</b> |
| M-operator module 48 × 48 mm, mounting form 242M1<br>Escutcheon black, handle black | H200-A/-B        | <b>2AM1</b>                            |
| Legend plate silver, operator module 242M1  |                  | <b>FAS2 - 9...</b> (FA number)         |

| Dimensions (mm) |    |    |    |    |                  |                  |    |    |     |    |    |
|-----------------|----|----|----|----|------------------|------------------|----|----|-----|----|----|
| Product lines   | A  | B  | B1 | B2 | C <sub>min</sub> | C <sub>max</sub> | C1 | D1 | D2  | E  | H  |
| H200-A          | 48 | 36 | 48 | 60 | 92               | 107              | 32 | 12 | 4,5 | 36 | 70 |
| H200-B          | 48 | 50 | 69 | 88 | 92               | 107              | 32 | 12 | 4,5 | 36 | 72 |

**Modular shaft extensions see page B3-11.**

# Base Mounting Switches

# sälzer



**Product lines**  
H200-A/-B/-D/-E

**Base mounting switch**  
Operator module of next size

**Door interlock**  
Modular shaft extension

**Four hole mounting**  
48 x 48 mm front

**248M1** (IP66)

| Complete switch                            | Poles   | Product lines | Rated data (IEC 60947)             |                               |            | Order code number            |
|--|---------|---------------|------------------------------------|-------------------------------|------------|------------------------------|
|  |         |               | Operational current I <sub>e</sub> | Operational power at 380–440V |            |                              |
|  |         |               | AC-21A<br>A                        | AC-23A<br>kW                  | AC-3<br>kW |                              |
| ON-OFF Switches<br>Switching angle 90°     | 3 ... 8 | H200-A/-D     | 20                                 | 5,5                           | 3,7        | <b>H216 - 41 ... - 248M1</b> |
|  |         |               | 25                                 | 7,5                           | 5,5        | <b>H220 - 41 ... - 248M1</b> |
|  |         |               | 32                                 | 11                            | 7,5        | <b>H226 - 41 ... - 248M1</b> |
|  |         |               | 40                                 | 15                            | 11         | <b>H233 - 41 ... - 248M1</b> |
|  |         |               | 63                                 | 22                            | 18,5       | <b>H263 - 41 ... - 248M1</b> |
| Changeover with OFF<br>Switching angle 90° | 3 ... 4 | H200-E        | 20                                 | 5,5                           | 3,7        | <b>H216 - 71 ... - 248M1</b> |
|  |         |               | 25                                 | 7,5                           | 5,5        | <b>H220 - 71 ... - 248M1</b> |
|  |         |               | 32                                 | 11                            | 7,5        | <b>H226 - 71 ... - 248M1</b> |
|  |         |               | 40                                 | 22                            | 18,5       | <b>H233 - 71 ... - 248M1</b> |

| SMD modules for basic switch A02  |                               |   |
|---|-------------------------------|---|
| Mounting form module for 248M1  | H200-A<br>H200-B/-D<br>H200-E | <b>BFA2 - 248</b><br><b>BFB2 - 248</b><br><b>BFC2 - 248</b> |
| M-operator module 64 x 64 mm, mounting form 248M1<br>Escutcheon black, handle black | H200-A/-B/-D/-E               | <b>4AM1</b>   |
| Legend plate silver, operator module 248M1  |                               | <b>FAS4 - 9...</b> (FA number)                              |

| Dimensions (mm) |    |    |    |    |      |      |    |    |    |    |    |
|-----------------|----|----|----|----|------|------|----|----|----|----|----|
| Product lines   | A  | B  | B1 | B2 | Cmin | Cmax | C1 | D1 | D2 | E  | H  |
| H200-A          | 64 | 36 | 48 | 60 | 92   | 107  | 39 | 15 | 5  | 48 | 70 |
| H200-B          | 64 | 50 | 69 | 88 | 92   | 107  | 39 | 15 | 5  | 48 | 72 |
| H200-D          | 64 | 72 | 84 | 96 | 100  | 115  | 39 | 15 | 5  | 48 | 70 |
| H200-E          | 64 | 72 | 84 | 96 | 100  | 115  | 39 | 15 | 5  | 48 | 70 |

Modular shaft extensions see page B3-11.



# Base Mounting Switches

# sälzer

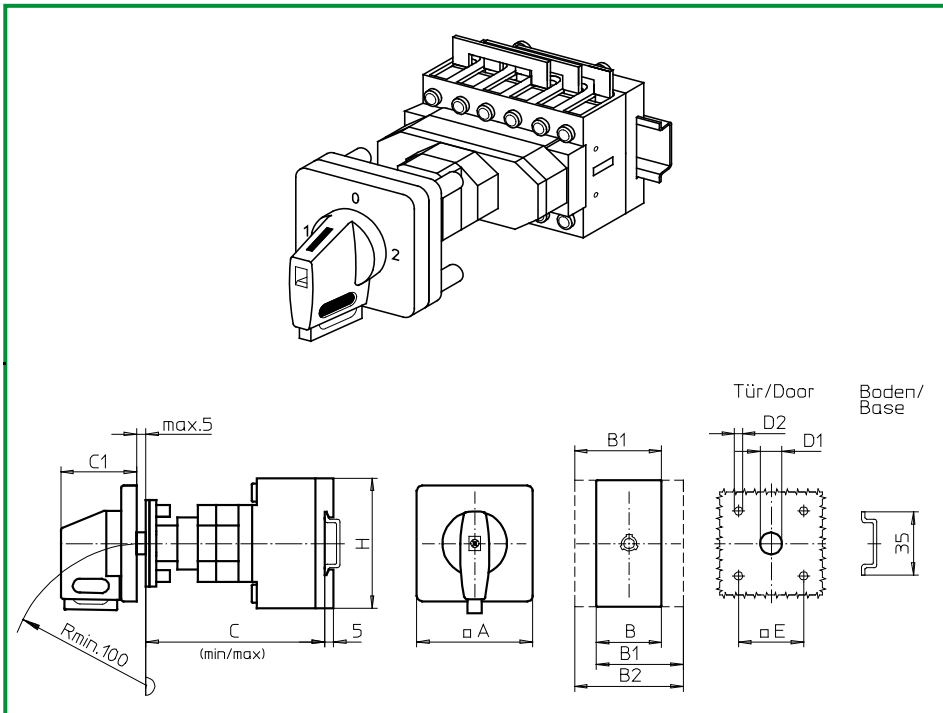
**Product line**  
**H200-E**

**Base mounting switch**  
Operator module of next size

**Door interlock**  
Modular shaft extension

**Four hole mounting**  
48 x 48 mm front

**248V1** (IP66)  
**249V1** (IP66)



| Complete switch  | Poles   | Product lines | Rated data (IEC 60947)             |                               |            | Order code number            |
|--|---------|---------------|------------------------------------|-------------------------------|------------|------------------------------|
|  |         |               | Operational current I <sub>e</sub> | Operational power at 380–440V |            |                              |
|  |         |               | AC-21A<br>A                        | AC-23A<br>kW                  | AC-3<br>kW |                              |
| Changeover with OFF<br>Switching angle 90°<br>OFF position padlockable 12h             | 3 ... 4 | H200-E        | 20                                 | 5,5                           | 3,7        | <b>H216 - 71 ... - 248V1</b> |
|  |         |               | 25                                 | 7,5                           | 5,5        | <b>H220 - 71 ... - 248V1</b> |
|  |         |               | 32                                 | 11                            | 7,5        | <b>H226 - 71 ... - 248V1</b> |
|  |         |               | 40                                 | 15                            | 11         | <b>H233 - 11 ... - 248V1</b> |
| Changeover with OFF<br>Switching angle 90°<br>3 positions padlockable<br>(09h/12h/03h) | 3 ... 4 | H200-E        | 20                                 | 5,5                           | 3,7        | <b>H216 - 71 ... - 249V1</b> |
|  |         |               | 25                                 | 7,5                           | 5,5        | <b>H220 - 71 ... - 249V1</b> |
|  |         |               | 32                                 | 11                            | 7,5        | <b>H226 - 71 ... - 249V1</b> |
|  |         |               | 40                                 | 15                            | 11         | <b>H233 - 71 ... - 249V1</b> |

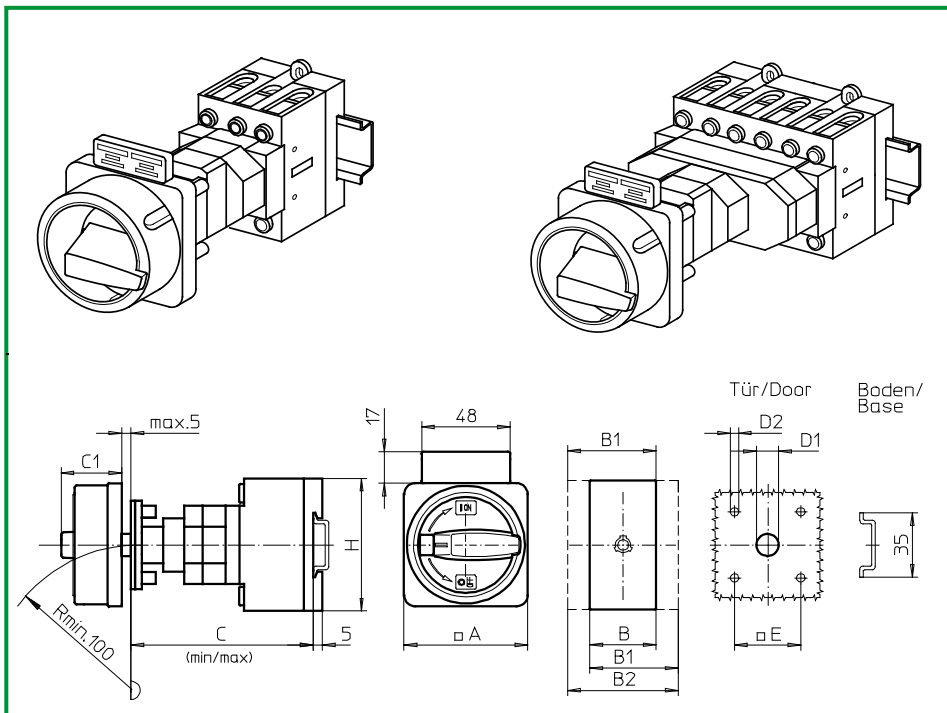
| SMD modules for basic switch A02  |  |        |                                |
|---|--|--------|--------------------------------|
| Mounting form module for 248V1/249V1  |  | H200-E | <b>BFC2 - 248</b>              |
| V-operator module 64 x 64 mm, mounting form 248V1<br>Escutcheon black, handle black |  |        | <b>4AV1 - 12</b>               |
| V-operator module 64 x 64 mm, mounting form 249V1<br>Escutcheon black, handle black |  |        | <b>4AV1 - 99</b>               |
| Legend plate silver, operator modules 248V1/249V1                                   |  |        | <b>FAS4 - 9...</b> (FA number) |

| Dimensions (mm) |    |    |    |    |      |      |    |    |    |    |    |
|-----------------|----|----|----|----|------|------|----|----|----|----|----|
| Product line    | A  | B  | B1 | B2 | Cmin | Cmax | C1 | D1 | D2 | E  | H  |
| H200-E          | 64 | 72 | 84 | 96 | 100  | 115  | 39 | 15 | 5  | 48 | 70 |

Modular shaft extensions see page B3-11.

# Base Mounting Switches

**sälzer**



**Product lines**  
**H200-A/-B/-D**

**Base mounting switch**

**Door interlock**

Modular shaft extension

**Four hole mounting**

36 × 36 mm front

**234M1** (IP66)

**234M4** (IP66)

| Complete switch   | Poles   | Product lines | Rated data (IEC 60947)             |                               |            | Order code number            |
|---|---------|---------------|------------------------------------|-------------------------------|------------|------------------------------|
|   |         |               | Operational current I <sub>e</sub> | Operational power at 380–440V |            |                              |
|   |         |               | AC-21A<br>A                        | AC-23A<br>kW                  | AC-3<br>kW |                              |
| Main Switches<br>OFF position padlockable 09h               | 3 ... 8 | H200-A/-D     | 20                                 | 5,5                           | 3,7        | <b>H216 - 41 ... - 234M1</b> |
|   |         |               | 25                                 | 7,5                           | 5,5        | <b>H220 - 41 ... - 234M1</b> |
|   |         |               | 32                                 | 11                            | 7,5        | <b>H226 - 41 ... - 234M1</b> |
|   |         |               | 40                                 | 15                            | 11         | <b>H233 - 41 ... - 234M1</b> |
|   |         |               | 63                                 | 22                            | 18,5       | <b>H263 - 41 ... - 234M1</b> |
| Main/Emergency-Off Switches<br>OFF position padlockable 09h | 3 ... 8 | H200-A/-D     | 20                                 | 5,5                           | 3,7        | <b>H216 - 41 ... - 234M4</b> |
|   |         |               | 25                                 | 7,5                           | 5,5        | <b>H220 - 41 ... - 234M4</b> |
|   |         |               | 32                                 | 11                            | 7,5        | <b>H226 - 41 ... - 234M4</b> |
|   |         |               | 40                                 | 15                            | 11         | <b>H233 - 41 ... - 234M4</b> |
|   |         |               | 63                                 | 22                            | 18,5       | <b>H263 - 41 ... - 234M4</b> |
|   | 3 ... 4 | H200-B        |                                    |                               |            |                              |

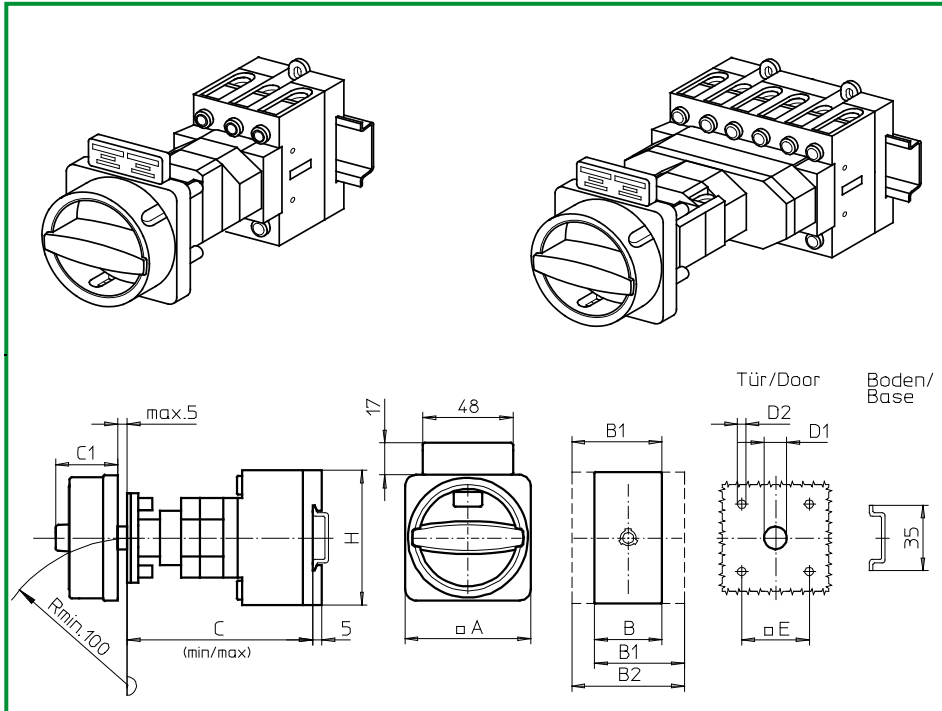
| SMD modules for basic switch A02   |                     |  |
|--|---------------------|--|
| Mounting form module for 234M.   | H200-A<br>H200-B/-D | <b>BFA2 - 234</b><br><b>BFB2 - 234</b> |
| M-padlock device 67 × 67 mm, mounting form 234M1<br>Escutcheon black, padlockable handle black | H200-A/-B/-D        | <b>2CM1</b>                            |
| M-padlock device 67 × 67 mm, mounting form 234M4<br>Escutcheon yellow, padlockable handle red  |                     | <b>2CM4</b>                            |
| Additional top escutcheon plate  |                     | <b>FAZZ - 8041</b>                     |

| Dimensions (mm) |    |    |    |    |                  |                  |    |    |     |    |    |
|-----------------|----|----|----|----|------------------|------------------|----|----|-----|----|----|
| Product lines   | A  | B  | B1 | B2 | C <sub>min</sub> | C <sub>max</sub> | C1 | D1 | D2  | E  | H  |
| H200-A          | 67 | 36 | 48 | 60 | 92               | 107              | 38 | 15 | 4,5 | 36 | 70 |
| H200-B          | 67 | 50 | 69 | 88 | 92               | 107              | 38 | 15 | 4,5 | 36 | 72 |
| H200-D          | 67 | 72 | 84 | 96 | 100              | 115              | 38 | 15 | 4,5 | 36 | 70 |

Modular shaft extensions see page B3-11.

# Base Mounting Switches

# sälzer



**Product lines**  
H200-A/-B/-D

**Base mounting switch**

**Door interlock**

Modular shaft extension

**Four hole mounting**

36 x 36 mm front

**234N1** (IP66)

**234N4** (IP66)

| Complete switch   | Poles   | Product lines | Rated data (IEC 60947)             |                               |            | Order code number            |
|---|---------|---------------|------------------------------------|-------------------------------|------------|------------------------------|
|   |         |               | Operational current I <sub>e</sub> | Operational power at 380–440V |            |                              |
|   |         |               | AC-21A<br>A                        | AC-23A<br>kW                  | AC-3<br>kW |                              |
| Main Switches<br>OFF position padlockable 12h               | 3 ... 8 | H200-A/-D     | 20                                 | 5,5                           | 3,7        | <b>H216 - 41 ... - 234N1</b> |
|   |         |               | 25                                 | 7,5                           | 5,5        | <b>H220 - 41 ... - 234N1</b> |
|   |         |               | 32                                 | 11                            | 7,5        | <b>H226 - 41 ... - 234N1</b> |
|   |         |               | 40                                 | 15                            | 11         | <b>H233 - 41 ... - 234N1</b> |
|   |         |               | 63                                 | 22                            | 18,5       | <b>H263 - 41 ... - 234N1</b> |
| Main/Emergency-Off Switches<br>OFF position padlockable 12h | 3 ... 8 | H200-A/-D     | 20                                 | 5,5                           | 3,7        | <b>H216 - 41 ... - 234N4</b> |
|   |         |               | 25                                 | 7,5                           | 5,5        | <b>H220 - 41 ... - 234N4</b> |
|   |         |               | 32                                 | 11                            | 7,5        | <b>H226 - 41 ... - 234N4</b> |
|   |         |               | 40                                 | 15                            | 11         | <b>H233 - 41 ... - 234N4</b> |
|   |         |               | 63                                 | 22                            | 18,5       | <b>H263 - 41 ... - 234N4</b> |
|   | 3 ... 4 | H200-B        |                                    |                               |            |                              |

## SMD modules for basic switch A02

Mounting form module for 234N.

H200-A  
H200-B/-D

**BFA2 - 234**  
**BFB2 - 234**

N-padlock device 67 x 67 mm, mounting form 234N1  
Escutcheon black, padlockable handle black

H200-A/-B/-D

**2CN1**

N-padlock device 67 x 67 mm, mounting form 234N4  
Escutcheon yellow, padlockable handle red

**2CN4**

Additional top escutcheon plate

**FAZZ - 8041**

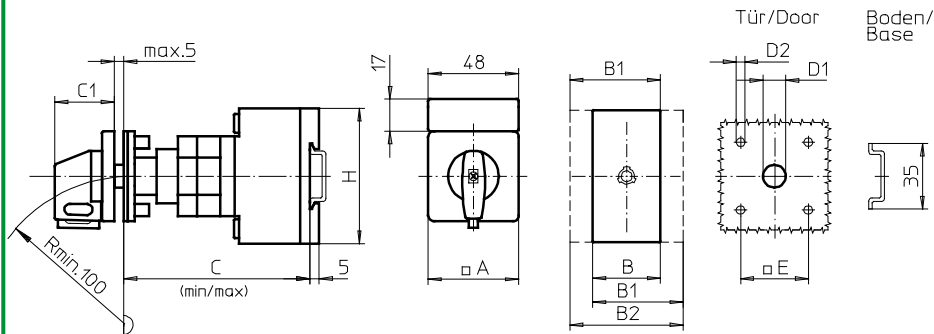
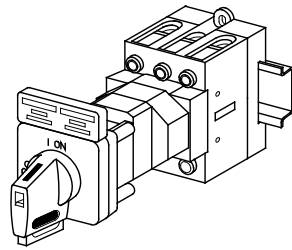
## Dimensions (mm)

| Product lines | A  | B  | B1 | B2 | Cmin | Cmax | C1 | D1 | D2  | E  | H  |
|---------------|----|----|----|----|------|------|----|----|-----|----|----|
| H200-A        | 67 | 36 | 48 | 60 | 92   | 107  | 33 | 15 | 4,5 | 36 | 70 |
| H200-B        | 67 | 50 | 69 | 88 | 92   | 107  | 33 | 15 | 4,5 | 36 | 72 |
| H200-D        | 67 | 72 | 84 | 96 | 100  | 115  | 33 | 15 | 4,5 | 36 | 70 |

Modular shaft extensions see page B3-11.

# Base Mounting Switches

# sälzer



**Product lines**  
H200-A/-B

**Base mounting switch**

**Door interlock**

Modular shaft extension

**Four hole mounting**

36 x 36 mm front

**234V1** (IP66)

**234V4** (IP66)

| Complete switch   | Poles   | Product lines | Rated data (IEC 60947)             |                               |            | Order code number            |
|---|---------|---------------|------------------------------------|-------------------------------|------------|------------------------------|
|   |         |               | Operational current I <sub>e</sub> | Operational power at 380–440V |            |                              |
|   |         |               | AC-21A<br>A                        | AC-23A<br>kW                  | AC-3<br>kW |                              |
| Main Switches<br>OFF position padlockable 09h               | 3 ... 4 | H200-A        | 20                                 | 5,5                           | 3,7        | <b>H216 - 41 ... - 234V1</b> |
|   |         |               | 25                                 | 7,5                           | 5,5        | <b>H220 - 41 ... - 234V1</b> |
|   |         |               | 32                                 | 11                            | 7,5        | <b>H226 - 41 ... - 234V1</b> |
|   |         |               | 40                                 | 15                            | 11         | <b>H233 - 41 ... - 234V1</b> |
|   |         |               | 63                                 | 22                            | 18,5       | <b>H263 - 41 ... - 234V1</b> |
| Main/Emergency-Off Switches<br>OFF position padlockable 09h | 3 ... 4 | H200-A        | 20                                 | 5,5                           | 3,7        | <b>H216 - 41 ... - 234V4</b> |
|   |         |               | 25                                 | 7,5                           | 5,5        | <b>H220 - 41 ... - 234V4</b> |
|   |         |               | 32                                 | 11                            | 7,5        | <b>H226 - 41 ... - 234V4</b> |
|   |         |               | 40                                 | 15                            | 11         | <b>H233 - 41 ... - 234V4</b> |
|   |         |               | 63                                 | 22                            | 18,5       | <b>H263 - 41 ... - 234V4</b> |
|   | 3 ... 4 | H200-B        |                                    |                               |            |                              |

### SMD modules for basic switch A02

Mounting form module for 234V.

H200-A  
H200-B  
H200-A/-B

**BFA2 - 242**  
**BFC2 - 242**  
**2AV1 - 09**

V-operator module 48 x 48 mm, mounting form 234V1  
Escutcheon black, handle black  
Legend plate silver, operator module 234V1

**FAS2 - 9078**  
**2AV4 - 09**

V-operator module 48 x 48 mm, mounting form 234V4  
Escutcheon black, handle red  
Legend plate yellow, operator module 234V4  
Additional top escutcheon plate

**FBS2 - 9078**  
**FAZ2 - 8041**

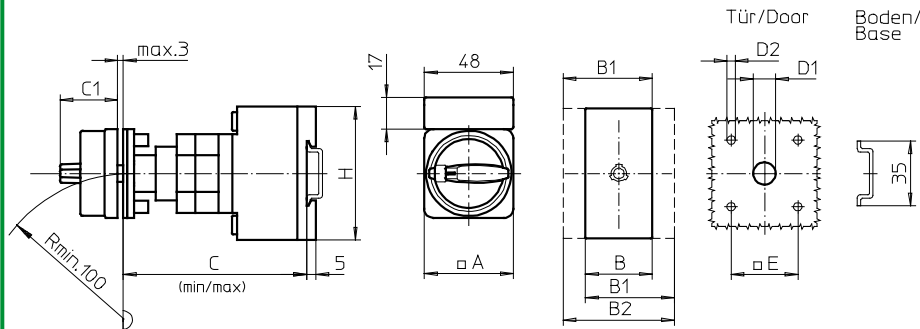
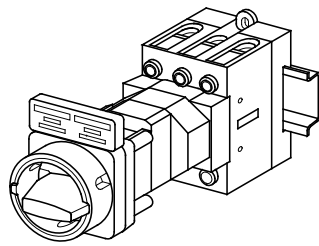
### Dimensions (mm)

| Product lines | A  | B  | B1 | B2 | C <sub>min</sub> | C <sub>max</sub> | C1 | D1 | D2  | E  | H  |
|---------------|----|----|----|----|------------------|------------------|----|----|-----|----|----|
| H200-A        | 48 | 36 | 48 | 60 | 92               | 107              | 32 | 12 | 4,5 | 36 | 70 |
| H200-B        | 48 | 50 | 69 | 88 | 92               | 107              | 32 | 12 | 4,5 | 36 | 72 |

Modular shaft extensions see page B3-11.

# Base Mounting Switches

# sälzer



**Product lines**  
**H200-A/-B**

**Base mounting switch**

**Door interlock**

Modular shaft extension

**Four hole mounting**

36 x 36 mm front

**235M1** (IP66)

**235M4** (IP66)

| Complete switch   | Poles   | Product lines | Rated data (IEC 60947)   |                               |            | Order code number            |                    |
|---|---------|---------------|--|-------------------------------|------------|------------------------------|--------------------|
|   |         |               | Operational current I <sub>e</sub>   | Operational power at 380–440V |            |                              |                    |
|   |         |               | AC-21A<br>A  | AC-23A<br>kW                  | AC-3<br>kW |                              |                    |
| Main Switches<br>OFF position padlockable 09h               | 3 ... 4 | H200-A        | 20   | 5,5                           | 3,7        | <b>H216 - 41 ... - 235M1</b> |                    |
|   |         |               | 25   | 7,5                           | 5,5        | <b>H220 - 41 ... - 235M1</b> |                    |
|   |         |               | 32   | 11                            | 7,5        | <b>H226 - 41 ... - 235M1</b> |                    |
|   |         |               | 40   | 15                            | 11         | <b>H233 - 41 ... - 235M1</b> |                    |
|   |         |               | 63   | 22                            | 18,5       | <b>H263 - 41 ... - 235M1</b> |                    |
| Main/Emergency-Off Switches<br>OFF position padlockable 09h | 3 ... 4 | H200-A        | 20   | 5,5                           | 3,7        | <b>H216 - 41 ... - 235M4</b> |                    |
|   |         |               | 25   | 7,5                           | 5,5        | <b>H220 - 41 ... - 235M4</b> |                    |
|   |         |               | 32   | 11                            | 7,5        | <b>H226 - 41 ... - 235M4</b> |                    |
|   |         |               | 40   | 15                            | 11         | <b>H233 - 41 ... - 235M4</b> |                    |
|   |         |               | 63   | 22                            | 18,5       | <b>H263 - 41 ... - 235M4</b> |                    |
| SMD modules for basic switch A02                            |         |               |  |                               |            | <b>BFA2 - 242</b>            |                    |
|   |         |               | Mounting form module for 235M.   |                               |            | H200-A<br>H200-B             | <b>BFC2 - 242</b>  |
|   |         |               | M-padlock device 48 x 48 mm, mounting form 235M1<br>Escutcheon black, padlockable handle black |                               |            | H200-A/-B                    | <b>2BM1</b>        |
|   |         |               | M-padlock device 48 x 48 mm, mounting form 235M4<br>Escutcheon yellow, padlockable handle red  |                               |            |                              | <b>2BM4</b>        |
|   |         |               | Additional top escutcheon plate  |                               |            |                              | <b>FAZ2 - 8041</b> |

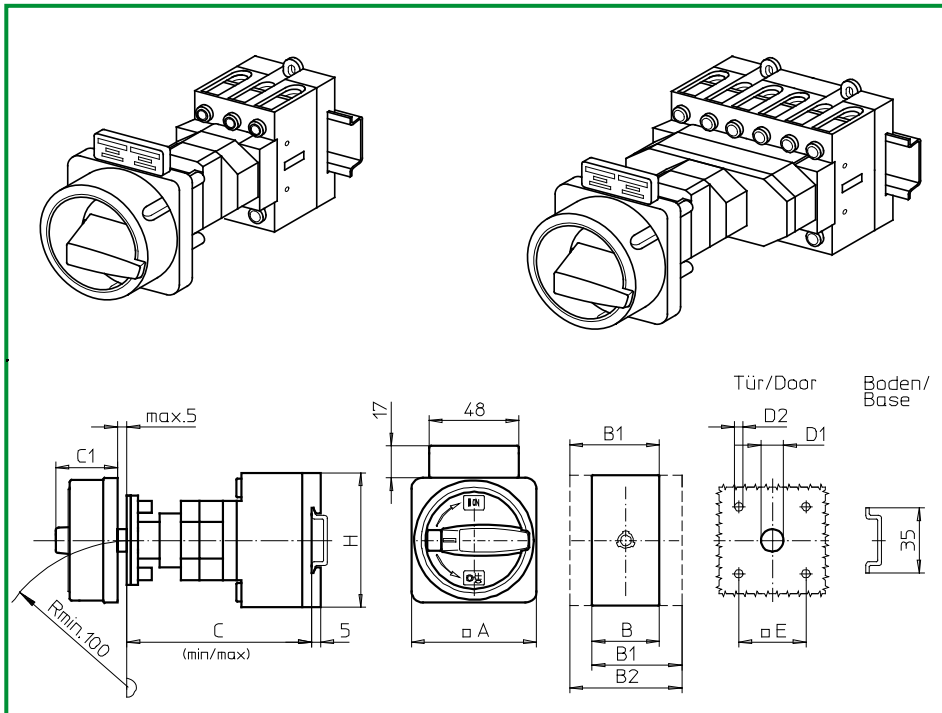
## Dimensions (mm)

| Product lines | A  | B  | B1 | B2 | C <sub>min</sub> | C <sub>max</sub> | C1 | D1 | D2  | E  | H  |
|---------------|----|----|----|----|------------------|------------------|----|----|-----|----|----|
| H200-A        | 48 | 36 | 48 | 60 | 92               | 107              | 31 | 12 | 4,5 | 36 | 70 |
| H200-B        | 48 | 50 | 69 | 88 | 92               | 107              | 31 | 12 | 4,5 | 36 | 72 |

Modular shaft extensions see page B3-11.

# Base Mounting Switches

**sälzer**



**Product lines**  
**H200-A/-B/-D**

**Base mounting switch**  
Operator module of next size

**Door interlock**  
Modular shaft extension

**Four hole mounting**  
48 x 48 mm front

**238M1** (IP66)  
**238M4** (IP66)

| Complete switch   | Poles   | Product lines | Rated data (IEC 60947)             |                               |            | Order code number            |
|---|---------|---------------|------------------------------------|-------------------------------|------------|------------------------------|
|   |         |               | Operational current I <sub>e</sub> | Operational power at 380–440V |            |                              |
|   |         |               | AC-21A<br>A                        | AC-23A<br>kW                  | AC-3<br>kW |                              |
| Main Switches<br>OFF position padlockable 09h               | 3 ... 8 | H200-A/-D     | 20                                 | 5,5                           | 3,7        | <b>H216 - 41 ... - 238M1</b> |
|   |         |               | 25                                 | 7,5                           | 5,5        | <b>H220 - 41 ... - 238M1</b> |
|   |         |               | 32                                 | 11                            | 7,5        | <b>H226 - 41 ... - 238M1</b> |
|   |         |               | 40                                 | 15                            | 11         | <b>H233 - 41 ... - 238M1</b> |
|   |         |               | 63                                 | 22                            | 18,5       | <b>H263 - 41 ... - 238M1</b> |
| Main/Emergency-Off Switches<br>OFF position padlockable 09h | 3 ... 8 | H200-A/-D     | 20                                 | 5,5                           | 3,7        | <b>H216 - 41 ... - 238M4</b> |
|   |         |               | 25                                 | 7,5                           | 5,5        | <b>H220 - 41 ... - 238M4</b> |
|   |         |               | 32                                 | 11                            | 7,5        | <b>H226 - 41 ... - 238M4</b> |
|   |         |               | 40                                 | 15                            | 11         | <b>H233 - 41 ... - 238M4</b> |
|   |         |               | 63                                 | 22                            | 18,5       | <b>H263 - 41 ... - 238M4</b> |
|   | 3 ... 4 | H200-B        |                                    |                               |            |                              |

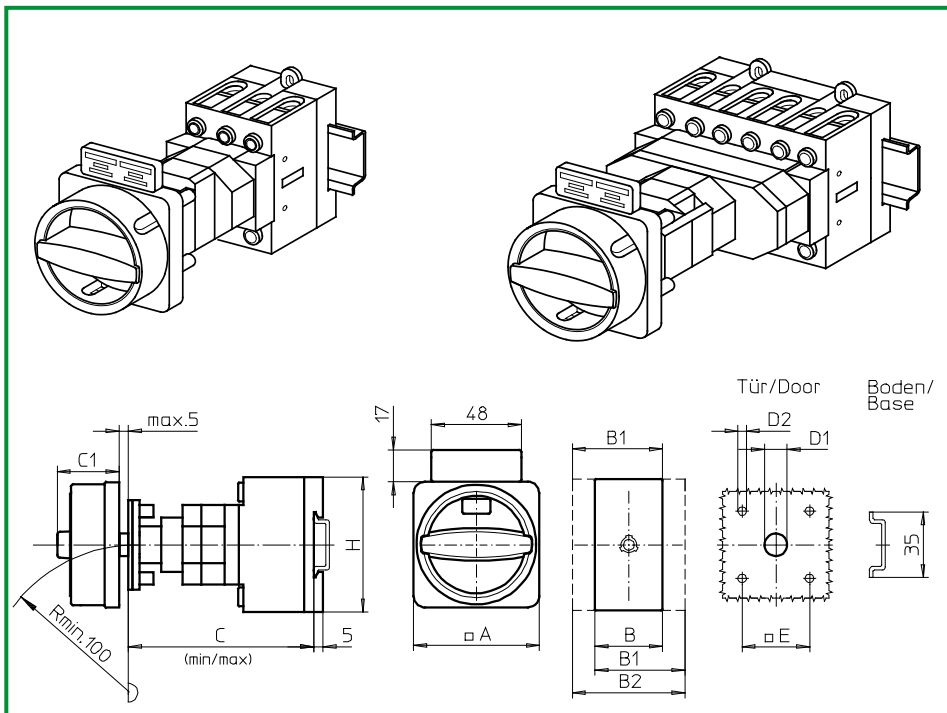
| SMD modules for basic switch A02   |                     |  |
|--|---------------------|--|
| Mounting form module for 238M.   | H200-A<br>H200-B/-D | <b>BFA2 - 238</b><br><b>BFB2 - 238</b> |
| M-padlock device 67 x 67 mm, mounting form 238M1<br>Escutcheon black, padlockable handle black | H200-A/-B/-D        | <b>4BM1</b>                            |
| M-padlock device 67 x 67 mm, mounting form 238M4<br>Escutcheon yellow, padlockable handle red  |                     | <b>4BM4</b>                            |
| Additional top escutcheon plate  |                     | <b>FAZZ - 8041</b>                     |

| Dimensions (mm) |    |    |    |    |                  |                  |    |    |    |    |    |
|-----------------|----|----|----|----|------------------|------------------|----|----|----|----|----|
| Product lines   | A  | B  | B1 | B2 | C <sub>min</sub> | C <sub>max</sub> | C1 | D1 | D2 | E  | H  |
| H200-A          | 67 | 36 | 48 | 60 | 92               | 107              | 38 | 15 | 5  | 48 | 70 |
| H200-B          | 67 | 50 | 69 | 88 | 92               | 107              | 38 | 15 | 5  | 48 | 72 |
| H200-D          | 67 | 72 | 84 | 96 | 100              | 115              | 38 | 15 | 5  | 48 | 70 |

**Modular shaft extensions see page B3-11.**

# Base Mounting Switches

# sälzer



**Product lines**  
H200-A/-B/-D

**Base mounting switch**  
Operator module of next size

**Door interlock**  
Modular shaft extension

**Four hole mounting**  
48 x 48 mm front

**238N1** (IP66)  
**238N4** (IP66)

| Complete switch   | Poles   | Product lines | Rated data (IEC 60947)             |                               |            | Order code number            |
|---|---------|---------------|------------------------------------|-------------------------------|------------|------------------------------|
|   |         |               | Operational current I <sub>e</sub> | Operational power at 380–440V |            |                              |
|   |         |               | AC-21A<br>A                        | AC-23A<br>kW                  | AC-3<br>kW |                              |
| Main Switches<br>OFF position padlockable 12h               | 3 ... 8 | H200-A/-D     | 20                                 | 5,5                           | 3,7        | <b>H216 - 41 ... - 238N1</b> |
|   |         |               | 25                                 | 7,5                           | 5,5        | <b>H220 - 41 ... - 238N1</b> |
|   |         |               | 32                                 | 11                            | 7,5        | <b>H226 - 41 ... - 238N1</b> |
|   |         |               | 40                                 | 15                            | 11         | <b>H233 - 41 ... - 238N1</b> |
|   |         |               | 63                                 | 22                            | 18,5       | <b>H263 - 41 ... - 238N1</b> |
| Main/Emergency-Off Switches<br>OFF position padlockable 12h | 3 ... 8 | H200-A/-D     | 20                                 | 5,5                           | 3,7        | <b>H216 - 41 ... - 238N4</b> |
|   |         |               | 25                                 | 7,5                           | 5,5        | <b>H220 - 41 ... - 238N4</b> |
|   |         |               | 32                                 | 11                            | 7,5        | <b>H226 - 41 ... - 238N4</b> |
|   |         |               | 40                                 | 15                            | 11         | <b>H233 - 41 ... - 238N4</b> |
|   |         |               | 63                                 | 22                            | 18,5       | <b>H263 - 41 ... - 238N4</b> |
|   | 3 ... 4 | H200-B        |                                    |                               |            |                              |

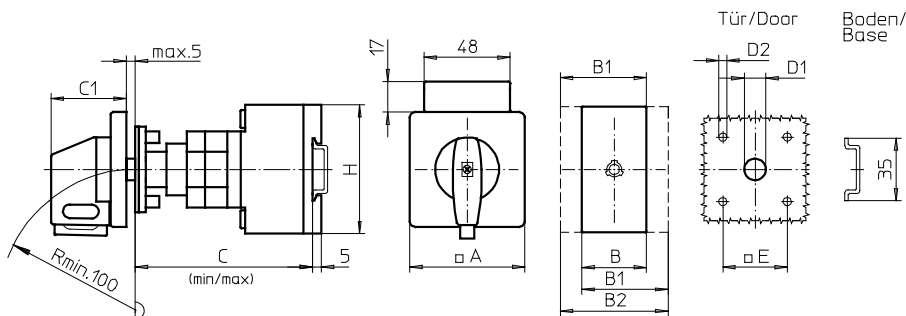
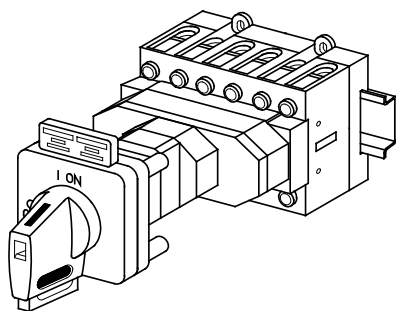
| SMD modules for basic switch A02   |  |                     |  |
|--|--|---------------------|--|
| Mounting form module for 238M.   |  | H200-A<br>H200-B/-D | <b>BFA2 - 238</b><br><b>BFB2 - 238</b> |
| N-padlock device 67 x 67 mm, mounting form 238N1<br>Escutcheon black, padlockable handle black |  | H200-A/-B/-D        | <b>4BN1</b>                            |
| N-padlock device 67 x 67 mm, mounting form 238N4<br>Escutcheon yellow, padlockable handle red  |  |                     | <b>4BN4</b>                            |
| Additional top escutcheon plate  |  |                     | <b>FAZZ - 8041</b>                     |

| Dimensions (mm) |    |    |    |    |      |      |    |    |    |    |    |
|-----------------|----|----|----|----|------|------|----|----|----|----|----|
| Product lines   | A  | B  | B1 | B2 | Cmin | Cmax | C1 | D1 | D2 | E  | H  |
| H200-A          | 67 | 36 | 48 | 60 | 92   | 107  | 33 | 15 | 5  | 48 | 70 |
| H200-B          | 67 | 50 | 69 | 88 | 92   | 107  | 33 | 15 | 5  | 48 | 72 |
| H200-D          | 67 | 72 | 84 | 96 | 100  | 115  | 33 | 15 | 5  | 48 | 70 |

Modular shaft extensions see page B3-11.

# Base Mounting Switches

# sälzer



**Product lines**  
H200-A/-B/-D

**Base mounting switch**  
Operator module of next size

**Door interlock**  
Modular shaft extension

**Four hole mounting**  
48 x 48 mm front

**238V1** (IP66)  
**238V4** (IP66)

| Complete switch   | Poles   | Product lines | Rated data (IEC 60947)             |                               |            | Order code number            |
|---|---------|---------------|------------------------------------|-------------------------------|------------|------------------------------|
|   |         |               | Operational current I <sub>e</sub> | Operational power at 380–440V |            |                              |
|   |         |               | AC-21A<br>A                        | AC-23A<br>kW                  | AC-3<br>kW |                              |
| Main Switches<br>OFF position padlockable 09h               | 3 ... 8 | H200-A/-D     | 20                                 | 5,5                           | 3,7        | <b>H216 - 41 ... - 238V1</b> |
|   |         |               | 25                                 | 7,5                           | 5,5        | <b>H220 - 41 ... - 238V1</b> |
|   |         |               | 32                                 | 11                            | 7,5        | <b>H226 - 41 ... - 238V1</b> |
|   |         |               | 40                                 | 15                            | 11         | <b>H233 - 41 ... - 238V1</b> |
|   |         |               | 63                                 | 22                            | 18,5       | <b>H263 - 41 ... - 238V1</b> |
| Main/Emergency-Off Switches<br>OFF position padlockable 09h | 3 ... 8 | H200-A/-D     | 20                                 | 5,5                           | 3,7        | <b>H216 - 41 ... - 238V4</b> |
|   |         |               | 25                                 | 7,5                           | 5,5        | <b>H220 - 41 ... - 238V4</b> |
|   |         |               | 32                                 | 11                            | 7,5        | <b>H226 - 41 ... - 238V4</b> |
|   |         |               | 40                                 | 15                            | 11         | <b>H233 - 41 ... - 238V4</b> |
|   |         |               | 63                                 | 22                            | 18,5       | <b>H263 - 41 ... - 238V4</b> |
|   | 3 ... 4 | H200-B        |                                    |                               |            |                              |

| SMD modules for basic switch A02  |  |              |                    |
|---|--|--------------|--------------------|
| Mounting form module for 238V.  |  | H200-A       | <b>BFA2 - 248</b>  |
|   |  | H200-B/-D    | <b>BFB2 - 248</b>  |
| V-operator module 64 x 64 mm, mounting form 238V1<br>Escutcheon black, handle black<br>Legend plate silver, operator module 238V1 |  | H200-A/-B/-D | <b>4AV1 - 09</b>   |
| V-operator module 64 x 64 mm, mounting form 238V4<br>Escutcheon black, handle red<br>Legend plate yellow, operator module 238V4   |  |              | <b>FAS4 - 9078</b> |
| Additional top escutcheon plate   |  |              | <b>4AV4 - 09</b>   |
|   |  |              | <b>FBS4 - 9078</b> |
|   |  |              | <b>FAZ2 - 8041</b> |

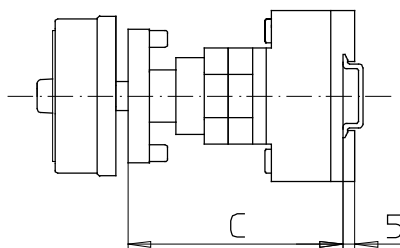
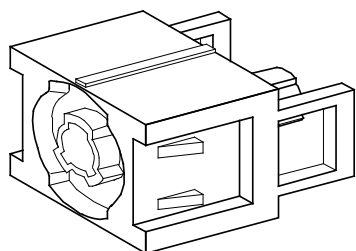
| Dimensions (mm) |    |    |    |    |                  |                  |    |    |    |    |    |
|-----------------|----|----|----|----|------------------|------------------|----|----|----|----|----|
| Product lines   | A  | B  | B1 | B2 | C <sub>min</sub> | C <sub>max</sub> | C1 | D1 | D2 | E  | H  |
| H200-A          | 64 | 36 | 48 | 60 | 92               | 107              | 39 | 15 | 5  | 48 | 70 |
| H200-B          | 64 | 50 | 69 | 88 | 92               | 107              | 39 | 15 | 5  | 48 | 72 |
| H200-D          | 64 | 72 | 84 | 96 | 100              | 115              | 39 | 15 | 5  | 48 | 70 |

Modular shaft extensions see page B3-11.



# Modular shaft extension

**sälzer**



**Product lines**  
H200-A/-B/-D/-E

**Base mounting switch**

**Door interlock**  
Modular shaft extension

**Four hole mounting**  
Front

**AVC2 - .**

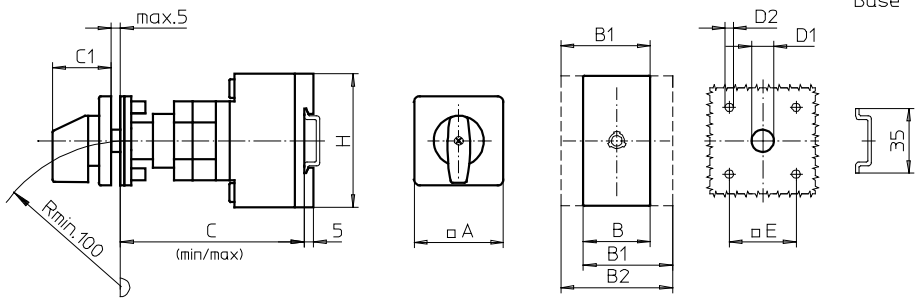
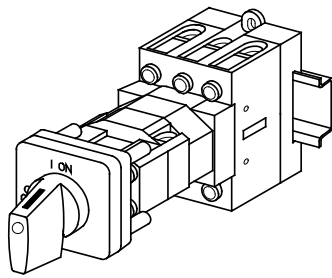
Modular shaft extensions for use with door interlock

Dimension C (Internal depth, inside of door to top of DIN rail)

| Dimension | H200-A/-B        | H200-D/-E        | No. | Order code number |
|-----------|------------------|------------------|-----|-------------------|
| 0         | 092 . . . 107 mm | 100 . . . 115 mm | -   | -                 |
| 1         | 114 . . . 132 mm | 122 . . . 140 mm | 1   | AVC2 - 1          |
| 2         | 139 . . . 157 mm | 147 . . . 165 mm | 1   | AVC2 - 2          |
| 3         | 164 . . . 182 mm | 172 . . . 190 mm | 1   | AVC2 - 3          |
| 4         | 189 . . . 207 mm | 197 . . . 215 mm | 1   | AVC2 - 4          |

# Base Mounting Switches

# sälzer



**Product line**  
**H200-B**

**Base mounting switch**

**Door interlock**  
Modular shaft extension  
N/PE connection link

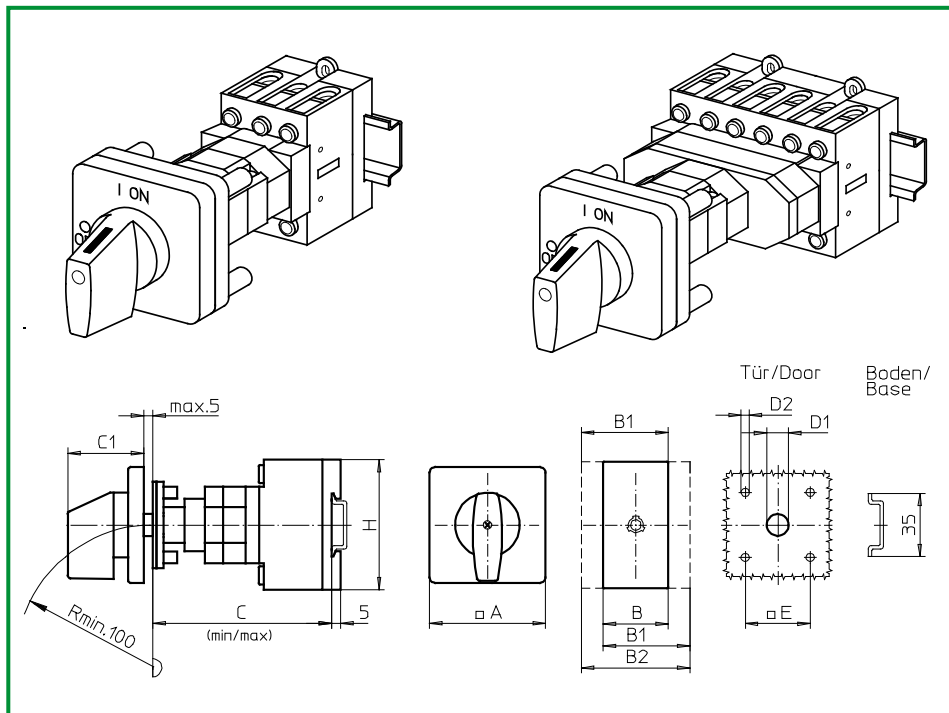
**Four hole mounting**  
36 x 36 mm front

**542M1 (IP66)**

| Complete switch   | Poles    | Product lines | Rated data (IEC 60947)             |                               |             | Order code number              |           |           |           |          |          |  |
|---|----------|---------------|------------------------------------|-------------------------------|-------------|--------------------------------|-----------|-----------|-----------|----------|----------|--|
|   |          |               | Operational current I <sub>e</sub> | Operational power at 380–440V |             |                                |           |           |           |          |          |  |
|   |          |               | AC-21A<br>A                        | AC-23A<br>kW                  | AC-3<br>kW  |                                |           |           |           |          |          |  |
| ON-OFF Switches<br>Switching angle 90°  | 3 ... 4  | H200-B        | 63                                 | 22                            | 18,5        | <b>H263 - 41 ... - 542M1</b>   |           |           |           |          |          |  |
| <b>SMD modules for basic switch A02</b>   |          |               |                                    |                               |             |                                |           |           |           |          |          |  |
| Mounting form module for 542M1  |          |               |                                    | H200-B                        |             | <b>BFA2 - 542</b>              |           |           |           |          |          |  |
| M-operator module 48 x 48 mm, mounting form 542M1<br>Escutcheon black, handle black |          |               |                                    | H200-B                        |             | <b>2AM1</b>                    |           |           |           |          |          |  |
| Legend plate silver, operator module 542M1  |          |               |                                    |                               |             | <b>FAS2 - 9...</b> (FA number) |           |           |           |          |          |  |
| <b>Dimensions (mm)</b>  |          |               |                                    |                               |             |                                |           |           |           |          |          |  |
| <b>Product line</b>   | <b>A</b> | <b>B</b>      | <b>B1</b>                          | <b>B2</b>                     | <b>Cmin</b> | <b>Cmax</b>                    | <b>C1</b> | <b>D1</b> | <b>D2</b> | <b>E</b> | <b>H</b> |  |
| H200-B  | 48       | 50            | 69                                 | 88                            | 92          | 107                            | 32        | 12        | 4,5       | 36       | 72       |  |
| <b>Modular shaft extensions see page B4-11.</b>                                     |          |               |                                    |                               |             |                                |           |           |           |          |          |  |

# Base Mounting Switches

# sälzer



**Product lines**  
H200-B/-D/-E

**Base mounting switch**  
Operator module of next size

**Door interlock**  
Modular shaft extension  
N/PE connection link

**Four hole mounting**  
48 x 48 mm front

**548M1 (IP66)**

| Complete switch                            | Poles   | Product lines | Rated data (IEC 60947)             |                               |            | Order code number            |
|--|---------|---------------|------------------------------------|-------------------------------|------------|------------------------------|
|  |         |               | Operational current I <sub>e</sub> | Operational power at 380–440V |            |                              |
|  |         |               | AC-21A<br>A                        | AC-23A<br>kW                  | AC-3<br>kW |                              |
| ON-OFF Switches<br>Switching angle 90°     | 6 ... 8 | H200-D        | 20                                 | 5,5                           | 3,7        | <b>H216 - 41 ... - 548M1</b> |
|  |         |               | 25                                 | 7,5                           | 5,5        | <b>H220 - 41 ... - 548M1</b> |
|  |         |               | 32                                 | 11                            | 7,5        | <b>H226 - 41 ... - 548M1</b> |
|  |         |               | 40                                 | 15                            | 11         | <b>H233 - 41 ... - 548M1</b> |
|  |         |               | 63                                 | 22                            | 18,5       | <b>H263 - 41 ... - 548M1</b> |
| Changeover with OFF<br>Switching angle 90° | 3 ... 4 | H200-E        | 20                                 | 5,5                           | 3,7        | <b>H216 - 71 ... - 548M1</b> |
|  |         |               | 25                                 | 7,5                           | 5,5        | <b>H220 - 71 ... - 548M1</b> |
|  |         |               | 32                                 | 11                            | 7,5        | <b>H226 - 71 ... - 548M1</b> |
|  |         |               | 40                                 | 15                            | 11         | <b>H233 - 71 ... - 548M1</b> |

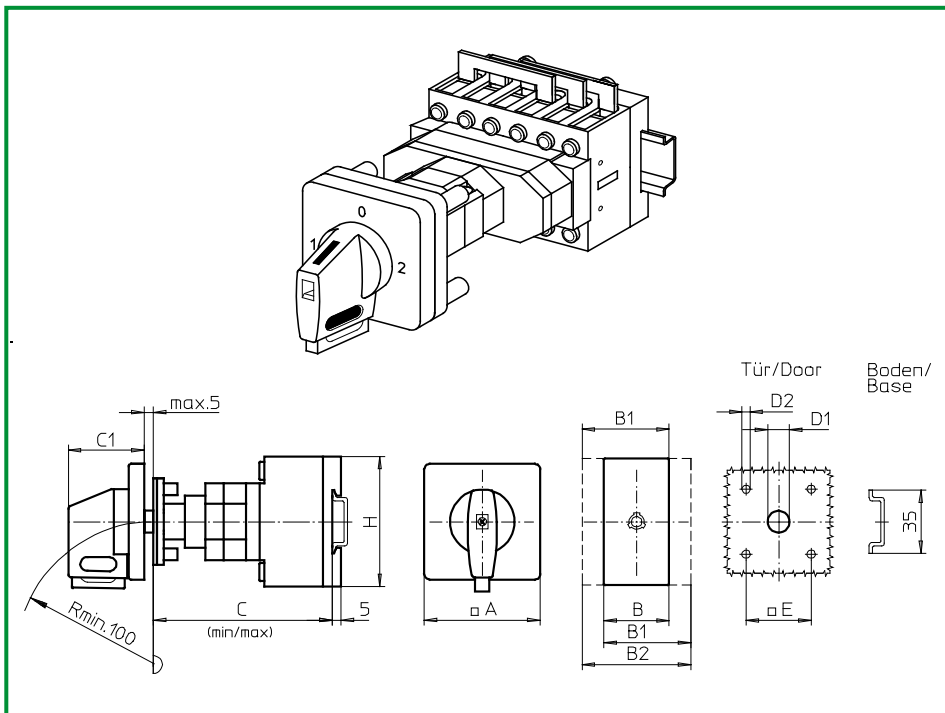
| SMD modules for basic switch A02  |                     |  |
|---|---------------------|--|
| Mounting form module for 548M1  | H200-B/-D<br>H200-E | <b>BFA2 - 548</b><br><b>BFB2 - 548</b> |
| M-operator module 64 x 64 mm, mounting form 548M1<br>Escutcheon black, handle black | H200-B/-D/-E        | <b>4AM1</b>                            |
| Legend plate silver, operator module 548M1  |                     | <b>FAS4 - 9...</b> (FA number)         |

| Dimensions (mm) |    |    |    |    |      |      |    |    |    |    |    |
|-----------------|----|----|----|----|------|------|----|----|----|----|----|
| Product lines   | A  | B  | B1 | B2 | Cmin | Cmax | C1 | D1 | D2 | E  | H  |
| H200-B          | 64 | 50 | 69 | 88 | 92   | 107  | 39 | 15 | 5  | 48 | 72 |
| H200-D          | 64 | 72 | 84 | 96 | 100  | 115  | 39 | 15 | 5  | 48 | 70 |
| H200-E          | 64 | 72 | 84 | 96 | 100  | 115  | 39 | 15 | 5  | 48 | 70 |

Modular shaft extensions see page B4-11.

# Base Mounting Switches

# sälzer



**Product line**  
**H200-E**

**Base mounting switch**  
Operator module of next size

**Door interlock**  
Modular shaft extension  
N/PE connection link

**Four hole mounting**  
48 x 48 mm front

**548V1** (IP66)

**549V1** (IP66)

| Complete switch  | Poles   | Product lines | Rated data (IEC 60947)             |                               |            | Order code number            |
|--|---------|---------------|------------------------------------|-------------------------------|------------|------------------------------|
|  |         |               | Operational current I <sub>e</sub> | Operational power at 380–440V |            |                              |
|  |         |               | AC-21A<br>A                        | AC-23A<br>kW                  | AC-3<br>kW |                              |
| Changeover with OFF<br>Switching angle 90°<br>OFF position padlockable 12h             | 3 ... 4 | H200-E        | 20                                 | 5,5                           | 3,7        | <b>H216 - 71 ... - 548V1</b> |
|  |         |               | 25                                 | 7,5                           | 5,5        | <b>H220 - 71 ... - 548V1</b> |
|  |         |               | 32                                 | 11                            | 7,5        | <b>H226 - 71 ... - 548V1</b> |
|  |         |               | 40                                 | 15                            | 11         | <b>H233 - 11 ... - 548V1</b> |
| Changeover with OFF<br>Switching angle 90°<br>3 positions padlockable<br>(09h/12h/03h) | 3 ... 4 | H200-E        | 20                                 | 5,5                           | 3,7        | <b>H216 - 71 ... - 549V1</b> |
|  |         |               | 25                                 | 7,5                           | 5,5        | <b>H220 - 71 ... - 549V1</b> |
|  |         |               | 32                                 | 11                            | 7,5        | <b>H226 - 71 ... - 549V1</b> |
|  |         |               | 40                                 | 15                            | 11         | <b>H233 - 71 ... - 549V1</b> |

### SMD modules for basic switch A02

Mounting form module for 548V1/549V1

H200-E

**BFB2 - 548**

V-operator module 64 x 64 mm, mounting form 548V1  
Escutcheon black, handle black

**4AV1 - 12**

V-operator module 64 x 64 mm, mounting form 549V1  
Escutcheon black, handle black

**4AV1 - 99**

Legend plate silver, operator modules 548V1/549V1

**FAS4 - 9...** (FA number)

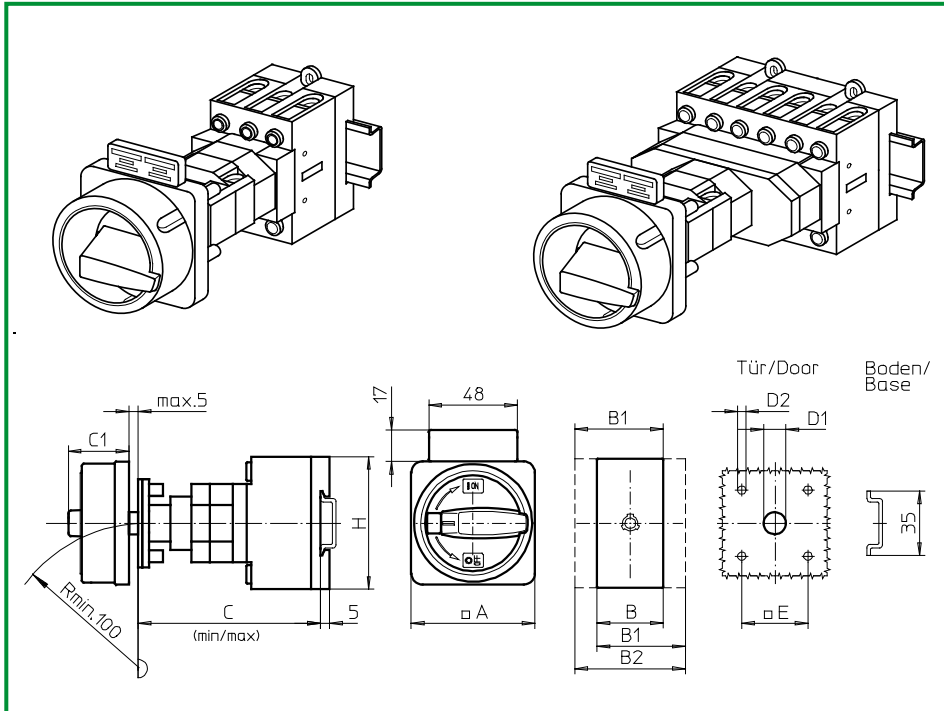
### Dimensions (mm)

| Product line | A  | B  | B1 | B2 | Cmin | Cmax | C1 | D1 | D2 | E  | H  |
|--------------|----|----|----|----|------|------|----|----|----|----|----|
| H200-E       | 64 | 72 | 84 | 96 | 100  | 115  | 39 | 15 | 5  | 48 | 70 |

Modular shaft extensions see page B4-11.

# Base Mounting Switches

# sälzer



**Product lines**  
H200-B/-D

**Base mounting switch**

**Door interlock**  
Modular shaft extension  
N/PE connection link

**Four hole mounting**  
36 x 36 mm front

**534M1** (IP66)

**534M4** (IP66)

| Complete switch   | Poles  | Product lines | Rated data (IEC 60947)             |                               |            | Order code number                 |
|---|--|---------------|------------------------------------|-------------------------------|------------|-----------------------------------|
|   |  |               | Operational current I <sub>e</sub> | Operational power at 380–440V |            |                                   |
|   |  |               | AC-21A<br>A                        | AC-23A<br>kW                  | AC-3<br>kW |                                   |
| Main Switches<br>OFF position padlockable 09h               | 6 ... 8  | H200-D        | 20                                 | 5,5                           | 3,7        | <b>H216 - 41 ... - 534M1</b>      |
|   |  |               | 25                                 | 7,5                           | 5,5        | <b>H220 - 41 ... - 534M1</b>      |
|   |  |               | 32                                 | 11                            | 7,5        | <b>H226 - 41 ... - 534M1</b>      |
|   |  |               | 40                                 | 15                            | 11         | <b>H233 - 41 ... - 534M1</b>      |
|   |  |               | 63                                 | 22                            | 18,5       | <b>H263 - 41 ... - 534M1</b>      |
| Main/Emergency-Off Switches<br>OFF position padlockable 09h | 6 ... 8  | H200-D        | 20                                 | 5,5                           | 3,7        | <b>H216 - 41 ... - 534M4</b>      |
|   |  |               | 25                                 | 7,5                           | 5,5        | <b>H220 - 41 ... - 534M4</b>      |
|   |  |               | 32                                 | 11                            | 7,5        | <b>H226 - 41 ... - 534M4</b>      |
|   |  |               | 40                                 | 15                            | 11         | <b>H233 - 41 ... - 534M4</b>      |
|   |  |               | 63                                 | 22                            | 18,5       | <b>H263 - 41 ... - 534M4</b>      |
| SMD modules for basic switch A02                            | Mounting form module for 534M.   |               | H200-B/-D                          |                               |            | <b>BFA2 - 534</b>                 |
|   | M-padlock device 67 x 67 mm, mounting form 534M1<br>Escutcheon black, padlockable handle black                                   |               | H200-B/-D                          |                               |            | <b>2CM1</b>                       |
|   | M-padlock device 67 x 67 mm, mounting form 534M4<br>Escutcheon yellow, padlockable handle red<br>Additional top escutcheon plate |               |                                    |                               |            | <b>2CM4</b><br><b>FAZ2 - 8041</b> |

## Dimensions (mm)

| Product lines | A  | B  | B1 | B2 | Cmin | Cmax | C1 | D1 | D2  | E  | H  |
|---------------|----|----|----|----|------|------|----|----|-----|----|----|
| H200-B        | 67 | 50 | 69 | 88 | 92   | 107  | 38 | 15 | 4,5 | 36 | 72 |
| H200-D        | 67 | 72 | 84 | 96 | 100  | 115  | 38 | 15 | 4,5 | 36 | 70 |

Modular shaft extensions see page B4-11.

# Base Mounting Switches

# sälzer

**Product lines**  
**H200-B/-D**

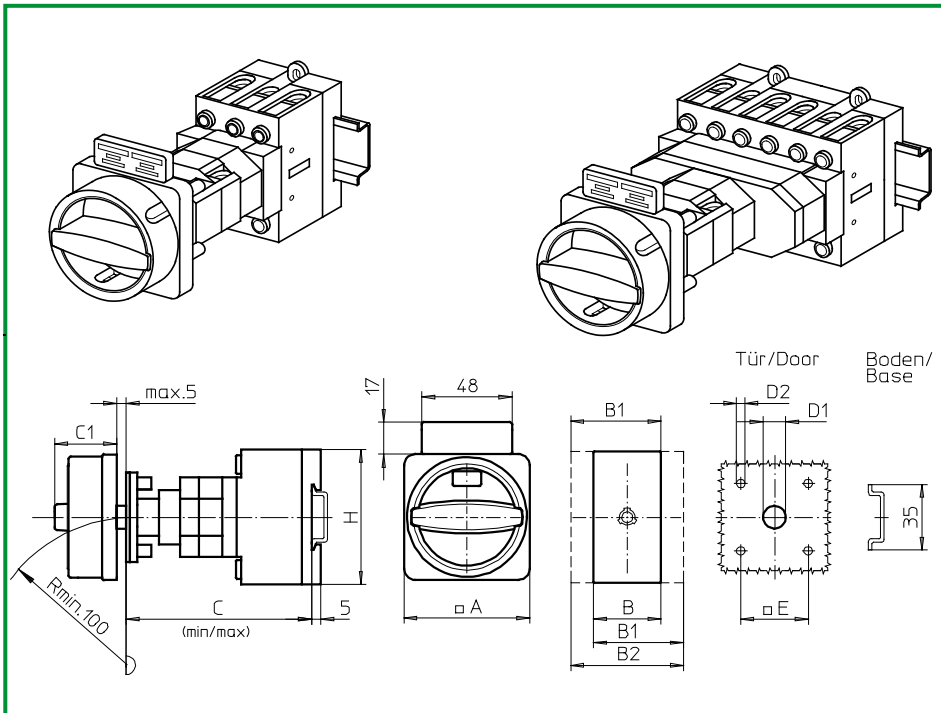
**Base mounting switch**

**Door interlock**  
Modular shaft extension  
N/PE connection link

**Four hole mounting**  
36 x 36 mm front

**534N1** (IP66)

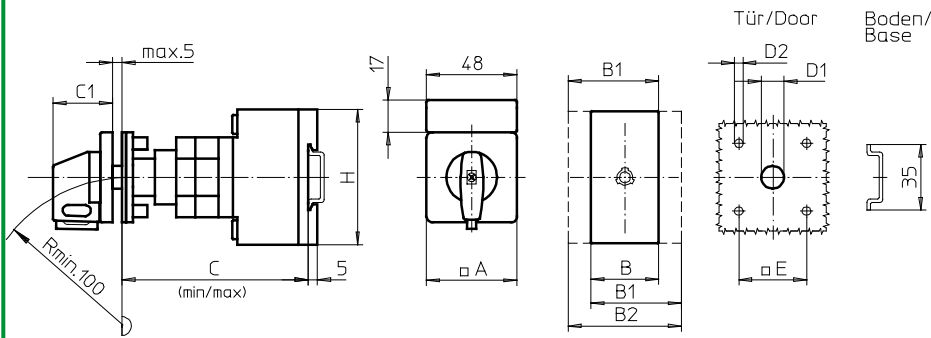
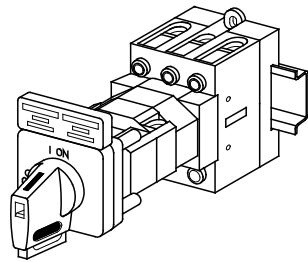
**534N4** (IP66)



| Complete switch  | Poles   | Product lines | Rated data (IEC 60947)             |                               |                    | Order code number            |    |    |     |    |    |
|--|---------|---------------|------------------------------------|-------------------------------|--------------------|------------------------------|----|----|-----|----|----|
|  |         |               | Operational current I <sub>e</sub> | Operational power at 380–440V |                    |                              |    |    |     |    |    |
|  |         |               | AC-21A<br>A                        | AC-23A<br>kW                  | AC-3<br>kW         |                              |    |    |     |    |    |
| Main Switches<br>OFF position padlockable 12h  | 6 ... 8 | H200-D        | 20                                 | 5,5                           | 3,7                | <b>H216 - 41 ... - 534N1</b> |    |    |     |    |    |
|  |         |               | 25                                 | 7,5                           | 5,5                | <b>H220 - 41 ... - 534N1</b> |    |    |     |    |    |
|  |         |               | 32                                 | 11                            | 7,5                | <b>H226 - 41 ... - 534N1</b> |    |    |     |    |    |
|  |         |               | 40                                 | 15                            | 11                 | <b>H233 - 41 ... - 534N1</b> |    |    |     |    |    |
|  |         |               | 63                                 | 22                            | 18,5               | <b>H263 - 41 ... - 534N1</b> |    |    |     |    |    |
| Main/Emergency-Off Switches<br>OFF position padlockable 12h                                    | 6 ... 8 | H200-D        | 20                                 | 5,5                           | 3,7                | <b>H216 - 41 ... - 534N4</b> |    |    |     |    |    |
|  |         |               | 25                                 | 7,5                           | 5,5                | <b>H220 - 41 ... - 534N4</b> |    |    |     |    |    |
|  |         |               | 32                                 | 11                            | 7,5                | <b>H226 - 41 ... - 534N4</b> |    |    |     |    |    |
|  |         |               | 40                                 | 15                            | 11                 | <b>H233 - 41 ... - 534N4</b> |    |    |     |    |    |
|  |         |               | 63                                 | 22                            | 18,5               | <b>H263 - 41 ... - 534N4</b> |    |    |     |    |    |
| <b>SMD modules for basic switch A02</b>  |         |               |                                    |                               |                    |                              |    |    |     |    |    |
| Mounting form module for 534N.   |         |               | H200-B/-D                          |                               | <b>BFA2 - 534</b>  |                              |    |    |     |    |    |
| N-padlock device 67 x 67 mm, mounting form 534N1<br>Escutcheon black, padlockable handle black |         |               | H200-B/-D                          |                               | <b>2CN1</b>        |                              |    |    |     |    |    |
| N-padlock device 67 x 67 mm, mounting form 534N4<br>Escutcheon yellow, padlockable handle red  |         |               |                                    |                               | <b>2CN4</b>        |                              |    |    |     |    |    |
| Additional top escutcheon plate  |         |               |                                    |                               | <b>FAZ2 - 8041</b> |                              |    |    |     |    |    |
| <b>Dimensions (mm)</b>   |         |               |                                    |                               |                    |                              |    |    |     |    |    |
| Product lines  | A       | B             | B1                                 | B2                            | Cmin               | Cmax                         | C1 | D1 | D2  | E  | H  |
| H200-B   | 67      | 50            | 69                                 | 88                            | 92                 | 107                          | 33 | 15 | 4,5 | 36 | 72 |
| H200-D   | 67      | 72            | 84                                 | 96                            | 100                | 115                          | 33 | 15 | 4,5 | 36 | 70 |
| <b>Modular shaft extensions see page B4-11.</b>  |         |               |                                    |                               |                    |                              |    |    |     |    |    |

# Base Mounting Switches

# sälzer



**Product line**  
**H200-B**

**Base mounting switch**

**Door interlock**

Modular shaft extension  
N/PE connection link

**Four hole mounting**

36 x 36 mm front

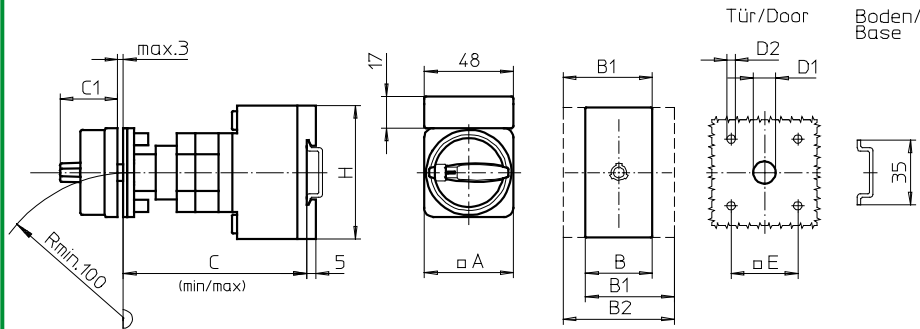
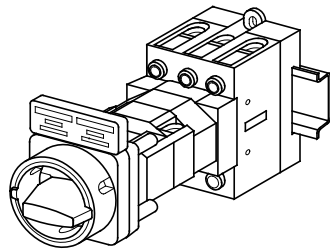
**534V1** (IP66)

**534V4** (IP66)

| Complete switch   | Poles    | Product lines | Rated data (IEC 60947)             |                               |             | Order code number                      |           |           |           |          |          |  |
|---|----------|---------------|------------------------------------|-------------------------------|-------------|--|-----------|-----------|-----------|----------|----------|--|
|   |          |               | Operational current I <sub>e</sub> | Operational power at 380–440V |             |  |           |           |           |          |          |  |
|   |          |               | AC-21A<br>A                        | AC-23A<br>kW                  | AC-3<br>kW  |  |           |           |           |          |          |  |
| Main Switches<br>OFF position padlockable 09h   | 3 ... 4  | H200-B        | 63                                 | 22                            | 18,5        | <b>H263 - 41 ... - 534V1</b>           |           |           |           |          |          |  |
| Main/Emergency-Off Switches<br>OFF position padlockable 09h   | 3 ... 4  | H200-B        | 63                                 | 22                            | 18,5        | <b>H263 - 41 ... - 534V4</b>           |           |           |           |          |          |  |
| <b>SMD modules for basic switch A02</b>   |          |               |                                    |                               |             |  |           |           |           |          |          |  |
| Mounting form module for 534V.  |          |               | H200-B                             |                               |             | <b>BFA2 - 542</b>                      |           |           |           |          |          |  |
| V-operator module 48 x 48 mm, mounting form 534V1<br>Escutcheon black, handle black<br>Legend plate silver, operator module 534V1 |          |               | H200-B                             |                               |             | <b>2AV1 - 09</b><br><b>FAS2 - 9078</b> |           |           |           |          |          |  |
| V-operator module 48 x 48 mm, mounting form 534V4<br>Escutcheon black, handle red<br>Legend plate yellow, operator module 534V4   |          |               |                                    |                               |             | <b>2AV4 - 09</b><br><b>FBS2 - 9078</b> |           |           |           |          |          |  |
| Additional top escutcheon plate   |          |               |                                    |                               |             | <b>FAZ2 - 8041</b>                     |           |           |           |          |          |  |
| <b>Dimensions (mm)</b>  |          |               |                                    |                               |             |  |           |           |           |          |          |  |
| <b>Product line</b>   | <b>A</b> | <b>B</b>      | <b>B1</b>                          | <b>B2</b>                     | <b>Cmin</b> | <b>Cmax</b>                            | <b>C1</b> | <b>D1</b> | <b>D2</b> | <b>E</b> | <b>H</b> |  |
| H200-B  | 48       | 50            | 69                                 | 88                            | 92          | 107                                    | 32        | 12        | 4,5       | 36       | 72       |  |
| <b>Modular shaft extensions see page B4-11.</b>   |          |               |                                    |                               |             |  |           |           |           |          |          |  |

# Base Mounting Switches

# sälzer



**Product line**  
**H200-B**

**Base mounting switch**

**Door interlock**  
Modular shaft extension  
N/PE connection link

**Four hole mounting**  
36 x 36 mm front

**535M1** (IP66)

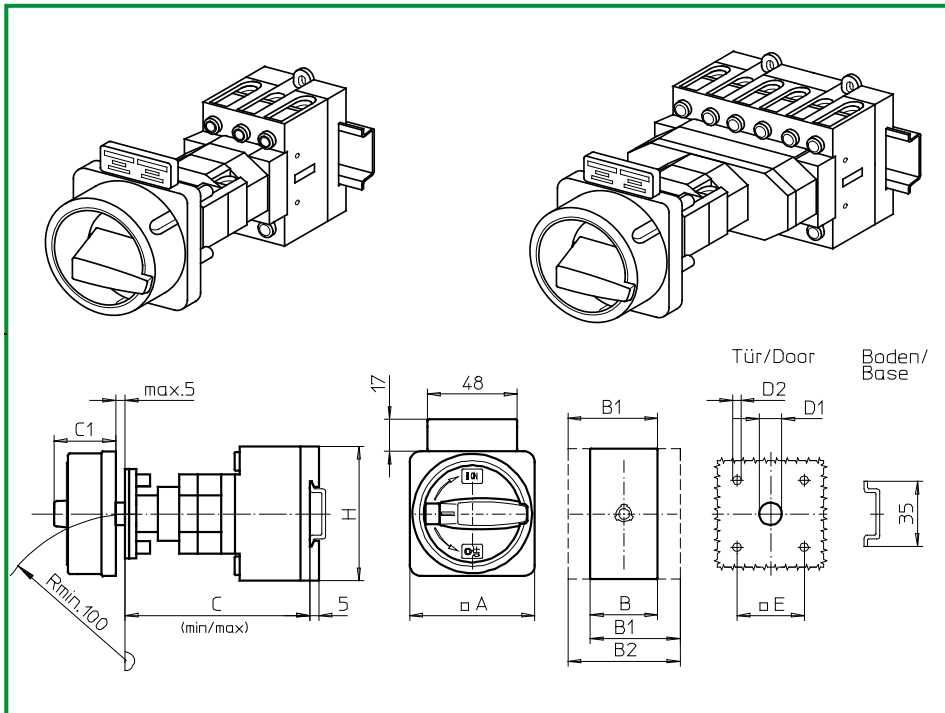
**535M4** (IP66)

| Complete switch  | Poles    | Product lines | Rated data (IEC 60947)             |                               |             | Order code number            |           |           |           |          |          |  |
|--|----------|---------------|------------------------------------|-------------------------------|-------------|------------------------------|-----------|-----------|-----------|----------|----------|--|
|  |          |               | Operational current I <sub>e</sub> | Operational power at 380–440V |             |                              |           |           |           |          |          |  |
|  |          |               | AC-21A<br>A                        | AC-23A<br>kW                  | AC-3<br>kW  |                              |           |           |           |          |          |  |
| Main Switches<br>OFF position padlockable 09h  | 3 ... 4  | H200-B        | 63                                 | 22                            | 18,5        | <b>H263 - 41 ... - 535M1</b> |           |           |           |          |          |  |
| Main/Emergency-Off Switches<br>OFF position padlockable 09h                                    | 3 ... 4  | H200-B        | 63                                 | 22                            | 18,5        | <b>H263 - 41 ... - 535M4</b> |           |           |           |          |          |  |
| <b>SMD modules for basic switch A02</b>  |          |               |                                    |                               |             |                              |           |           |           |          |          |  |
| Mounting form module for 535M.   |          |               |                                    | H200-B                        |             | <b>BFA2 - 542</b>            |           |           |           |          |          |  |
| M-padlock device 48 x 48 mm, mounting form 535M1<br>Escutcheon black, padlockable handle black |          |               |                                    | H200-B                        |             | <b>2BM1</b>                  |           |           |           |          |          |  |
| M-padlock device 48 x 48 mm, mounting form 535M4<br>Escutcheon yellow, padlockable handle red  |          |               |                                    |                               |             | <b>2BM4</b>                  |           |           |           |          |          |  |
| Additional top escutcheon plate  |          |               |                                    |                               |             | <b>FAZ2 - 8041</b>           |           |           |           |          |          |  |
| <b>Dimensions (mm)</b>   |          |               |                                    |                               |             |                              |           |           |           |          |          |  |
| <b>Product line</b>  | <b>A</b> | <b>B</b>      | <b>B1</b>                          | <b>B2</b>                     | <b>Cmin</b> | <b>Cmax</b>                  | <b>C1</b> | <b>D1</b> | <b>D2</b> | <b>E</b> | <b>H</b> |  |
| H200-B   | 48       | 50            | 69                                 | 88                            | 92          | 107                          | 31        | 12        | 4,5       | 36       | 72       |  |
| <b>Modular shaft extensions see page B4-11.</b>  |          |               |                                    |                               |             |                              |           |           |           |          |          |  |



# Base Mounting Switches

**sälzer**



**Product lines**  
**H200-B/-D**

**Base mounting switch**  
Operator module of next size

**Door interlock**  
Modular shaft extension  
N/PE connection link

**Four hole mounting**  
48 x 48 mm front

**538M1** (IP66)

**538M4** (IP66)

| Complete switch   | Poles   | Product lines | Rated data (IEC 60947)             |                               |            | Order code number            |
|---|---------|---------------|------------------------------------|-------------------------------|------------|------------------------------|
|   |         |               | Operational current I <sub>e</sub> | Operational power at 380–440V |            |                              |
|   |         |               | AC-21A<br>A                        | AC-23A<br>kW                  | AC-3<br>kW |                              |
| Main Switches<br>OFF position padlockable 09h               | 6 ... 8 | H200-D        | 20                                 | 5,5                           | 3,7        | <b>H216 - 41 ... - 538M1</b> |
|   |         |               | 25                                 | 7,5                           | 5,5        | <b>H220 - 41 ... - 538M1</b> |
|   |         |               | 32                                 | 11                            | 7,5        | <b>H226 - 41 ... - 538M1</b> |
|   |         |               | 40                                 | 15                            | 11         | <b>H233 - 41 ... - 538M1</b> |
|   |         |               | 63                                 | 22                            | 18,5       | <b>H263 - 41 ... - 538M1</b> |
| Main/Emergency-Off Switches<br>OFF position padlockable 09h | 3 ... 8 | H200-D        | 20                                 | 5,5                           | 3,7        | <b>H216 - 41 ... - 538M4</b> |
|   |         |               | 25                                 | 7,5                           | 5,5        | <b>H220 - 41 ... - 538M4</b> |
|   |         |               | 32                                 | 11                            | 7,5        | <b>H226 - 41 ... - 538M4</b> |
|   |         |               | 40                                 | 15                            | 11         | <b>H233 - 41 ... - 538M4</b> |
|   |         |               | 63                                 | 22                            | 18,5       | <b>H263 - 41 ... - 538M4</b> |

## SMD modules for basic switch A02

Mounting form module for 538M.

H200-B/-D

**BFA2 - 538**

M-padlock device 67 x 67 mm, mounting form 538M1  
Escutcheon black, padlockable handle black

H200-A/-B/-D

**4BM1**

M-padlock device 67 x 67 mm, mounting form 538M4  
Escutcheon yellow, padlockable handle red

**4BM4**

Additional top escutcheon plate

**FAZ2 - 8041**

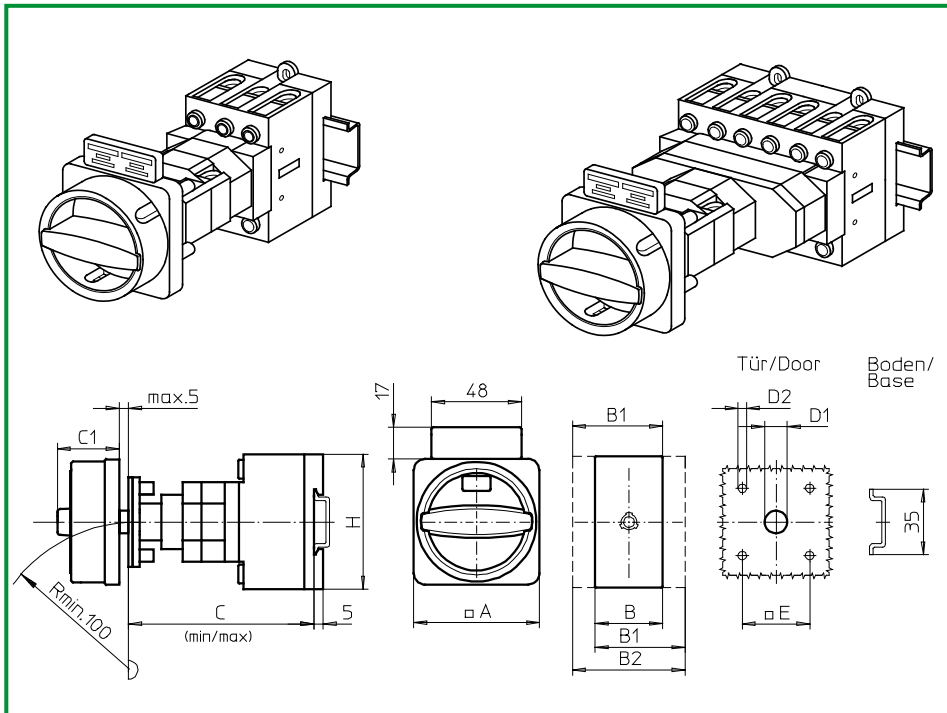
## Dimensions (mm)

| Product lines | A  | B  | B1 | B2 | Cmin | Cmax | C1 | D1 | D2 | E  | H  |
|---------------|----|----|----|----|------|------|----|----|----|----|----|
| H200-B        | 67 | 50 | 69 | 88 | 92   | 107  | 38 | 15 | 5  | 48 | 72 |
| H200-D        | 67 | 72 | 84 | 96 | 100  | 115  | 38 | 15 | 5  | 48 | 70 |

Modular shaft extensions see page B4-11.

# Base Mounting Switches

**sälzer**



**Product lines**  
**H200-B/-D**

**Base mounting switch**  
Operator module of next size

**Door interlock**  
Modular shaft extension  
N/PE connection link

**Four hole mounting**  
48 × 48 mm front

**538N1** (IP66)  
**538N4** (IP66)

| Complete switch   | Poles   | Product lines | Rated data (IEC 60947)             |                               |            | Order code number            |
|---|---------|---------------|------------------------------------|-------------------------------|------------|------------------------------|
|   |         |               | Operational current I <sub>e</sub> | Operational power at 380–440V |            |                              |
|   |         |               | AC-21A<br>A                        | AC-23A<br>kW                  | AC-3<br>kW |                              |
| Main Switches<br>OFF position padlockable 12h               | 6 ... 8 | H200 -D       | 20                                 | 5,5                           | 3,7        | <b>H216 - 41 ... - 538N1</b> |
|   |         |               | 25                                 | 7,5                           | 5,5        | <b>H220 - 41 ... - 538N1</b> |
|   |         |               | 32                                 | 11                            | 7,5        | <b>H226 - 41 ... - 538N1</b> |
|   |         |               | 40                                 | 15                            | 11         | <b>H233 - 41 ... - 538N1</b> |
|   |         |               | 63                                 | 22                            | 18,5       | <b>H263 - 41 ... - 538N1</b> |
| Main/Emergency-Off Switches<br>OFF position padlockable 12h | 6 ... 8 | H200-D        | 20                                 | 5,5                           | 3,7        | <b>H216 - 41 ... - 538N4</b> |
|   |         |               | 25                                 | 7,5                           | 5,5        | <b>H220 - 41 ... - 538N4</b> |
|   |         |               | 32                                 | 11                            | 7,5        | <b>H226 - 41 ... - 538N4</b> |
|   |         |               | 40                                 | 15                            | 11         | <b>H233 - 41 ... - 538N4</b> |
|   |         |               | 63                                 | 22                            | 18,5       | <b>H263 - 41 ... - 538N4</b> |

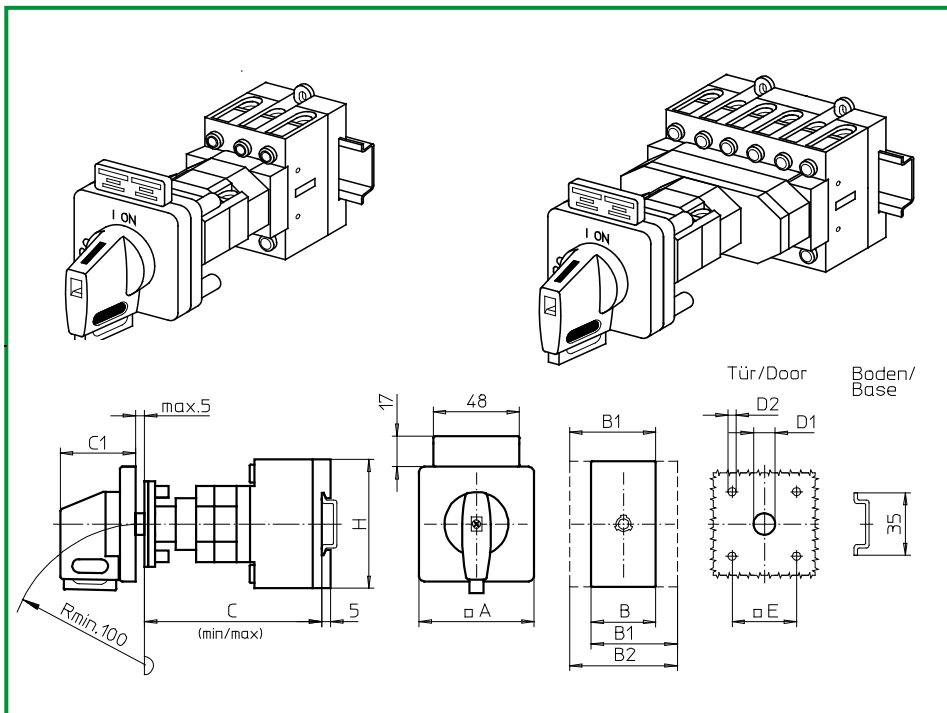
| SMD modules for basic switch A02   |  |              |                    |
|--|--|--------------|--------------------|
| Mounting form module for 538M.   |  | H200-B/-D    | <b>BFA2 - 538</b>  |
| N-padlock device 67 × 67 mm, mounting form 538N1<br>Escutcheon black, padlockable handle black |  | H200-A/-B/-D | <b>4BN1</b>        |
| N-padlock device 67 × 67 mm, mounting form 538N4<br>Escutcheon yellow, padlockable handle red  |  |              | <b>4BN4</b>        |
| Additional top escutcheon plate  |  |              | <b>FAZZ - 8041</b> |

| Dimensions (mm) |    |    |    |    |      |      |    |    |    |    |    |
|-----------------|----|----|----|----|------|------|----|----|----|----|----|
| Product lines   | A  | B  | B1 | B2 | Cmin | Cmax | C1 | D1 | D2 | E  | H  |
| H200-B          | 67 | 50 | 69 | 88 | 92   | 107  | 33 | 15 | 5  | 48 | 72 |
| H200-D          | 67 | 72 | 84 | 96 | 100  | 115  | 33 | 15 | 5  | 48 | 70 |

Modular shaft extensions see page B4-11.

# Base Mounting Switches

# sälzer



**Product lines**  
H200-B/-D

**Base mounting switch**  
Operator module of next size

**Door interlock**  
Modular shaft extension  
N/PE connection link

**Four hole mounting**  
48 x 48 mm front

**538V1** (IP66)  
**538V4** (IP66)

| Complete switch   | Poles   | Product lines | Rated data (IEC 60947)             |                               |            | Order code number            |
|---|---------|---------------|------------------------------------|-------------------------------|------------|------------------------------|
|   |         |               | Operational current I <sub>e</sub> | Operational power at 380–440V |            |                              |
|   |         |               | AC-21A<br>A                        | AC-23A<br>kW                  | AC-3<br>kW |                              |
| Main Switches<br>OFF position padlockable 09h               | 6 ... 8 | H200-D        | 20                                 | 5,5                           | 3,7        | <b>H216 - 41 ... - 538V1</b> |
|   |         |               | 25                                 | 7,5                           | 5,5        | <b>H220 - 41 ... - 538V1</b> |
|   |         |               | 32                                 | 11                            | 7,5        | <b>H226 - 41 ... - 538V1</b> |
|   |         |               | 40                                 | 15                            | 11         | <b>H233 - 41 ... - 538V1</b> |
|   |         |               | 63                                 | 22                            | 18,5       | <b>H263 - 41 ... - 538V1</b> |
| Main/Emergency-Off Switches<br>OFF position padlockable 09h | 6 ... 8 | H200-D        | 20                                 | 5,5                           | 3,7        | <b>H216 - 41 ... - 538V4</b> |
|   |         |               | 25                                 | 7,5                           | 5,5        | <b>H220 - 41 ... - 538V4</b> |
|   |         |               | 32                                 | 11                            | 7,5        | <b>H226 - 41 ... - 538V4</b> |
|   |         |               | 40                                 | 15                            | 11         | <b>H233 - 41 ... - 538V4</b> |
|   |         |               | 63                                 | 22                            | 18,5       | <b>H263 - 41 ... - 538V4</b> |

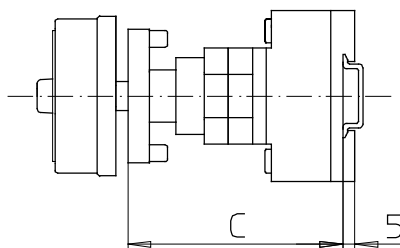
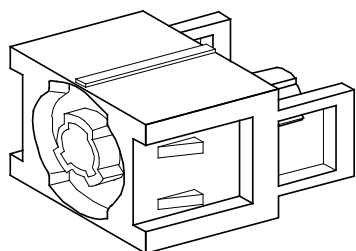
| SMD modules for basic switch A02   |  |           |  |
|--|--|-----------|--|
| Mounting form module for 538V.   |  | H200-B/-D | <b>BFA2 - 548</b>  |
| V-operator module 64 x 64 mm, mounting form 538V1<br>Escutcheon black, handle black<br>Legend plate silver, operator module 538V1                                  |  | H200-B/-D | <b>4AV1 - 09</b><br><b>FAS4 - 9078</b>                       |
| V-operator module 64 x 64 mm, mounting form 538V4<br>Escutcheon black, handle red<br>Legend plate yellow, operator module 538V4<br>Additional top escutcheon plate |  |           | <b>4AV4 - 09</b><br><b>FBS4 - 9078</b><br><b>FAZ2 - 8041</b> |

| Dimensions (mm) |    |    |    |    |      |      |    |    |    |    |    |
|-----------------|----|----|----|----|------|------|----|----|----|----|----|
| Product lines   | A  | B  | B1 | B2 | Cmin | Cmax | C1 | D1 | D2 | E  | H  |
| H200-B          | 64 | 50 | 69 | 88 | 92   | 107  | 39 | 15 | 5  | 48 | 72 |
| H200-D          | 64 | 72 | 84 | 96 | 100  | 115  | 39 | 15 | 5  | 48 | 70 |

Modular shaft extensions see page B4-11.

# Modular shaft extension

**sälzer**



**Product lines**  
H200-A/-B/-D/-E

**Base mounting switch**

**Door interlock**  
Modular shaft extension  
N/PE connection link

**Four hole mounting**  
Front

**AVC2 - .**

Modular shaft extensions for use with door interlock

Dimension C (Internal depth, inside of door to top of DIN rail)

| Dimension | H200-A/-B        | H200-D/-E        | No. | Order code number |
|-----------|------------------|------------------|-----|-------------------|
| 0         | 092 . . . 107 mm | 100 . . . 115 mm | -   | -                 |
| 1         | 114 . . . 132 mm | 122 . . . 140 mm | 1   | AVC2 - 1          |
| 2         | 139 . . . 157 mm | 147 . . . 165 mm | 1   | AVC2 - 2          |
| 3         | 164 . . . 182 mm | 172 . . . 190 mm | 1   | AVC2 - 3          |
| 4         | 189 . . . 207 mm | 197 . . . 215 mm | 1   | AVC2 - 4          |

# Base Mounting Switches

**sälzer**

**Product lines  
H200-A/B**

**Base mounting switch**

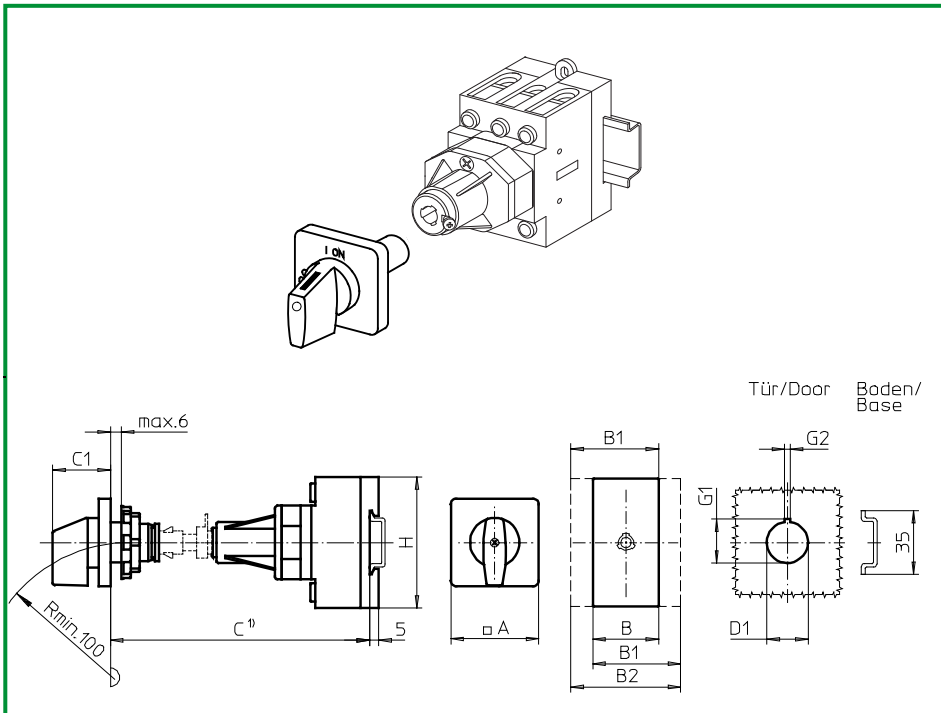
**Door clutch**

Metal shaft extension  
With shaft retaining screw

**Single hole mounting**

ø 22,5 mm front

**262M1 (IP66)**



| Complete switch                        | Poles   | Product lines | Rated data (IEC 60947)             |                               |            | Order code number            |
|--|---------|---------------|------------------------------------|-------------------------------|------------|------------------------------|
|  |         |               | Operational current I <sub>e</sub> | Operational power at 380–440V |            |                              |
|  |         |               | AC-21A<br>A                        | AC-23A<br>kW                  | AC-3<br>kW |                              |
| ON-OFF Switches<br>Switching angle 90° | 3 ... 4 | H200-A        | 20                                 | 5,5                           | 3,7        | <b>H216 - 41 ... - 262M1</b> |
|  |         |               | 25                                 | 7,5                           | 5,5        | <b>H220 - 41 ... - 262M1</b> |
|  |         |               | 32                                 | 11                            | 7,5        | <b>H226 - 41 ... - 262M1</b> |
|  |         |               | 40                                 | 15                            | 11         | <b>H233 - 41 ... - 262M1</b> |
|  |         |               | 63                                 | 22                            | 18,5       | <b>H263 - 41 ... - 262M1</b> |
|  | 3 ... 4 | H200-B        |                                    |                               |            |                              |

## SMD modules for basic switch A02

Mounting form module for 262M1

H200-A  
H200-B

**BFA2 - 260**  
**BFB2 - 260**

M-operator module 48 x 48 mm, mounting form 262M1  
Escutcheon black, handle black

H200-A/-B

**2LM1**

Legend plate silver, operator module 262M1

**FAS2 - 9...** (FA number)

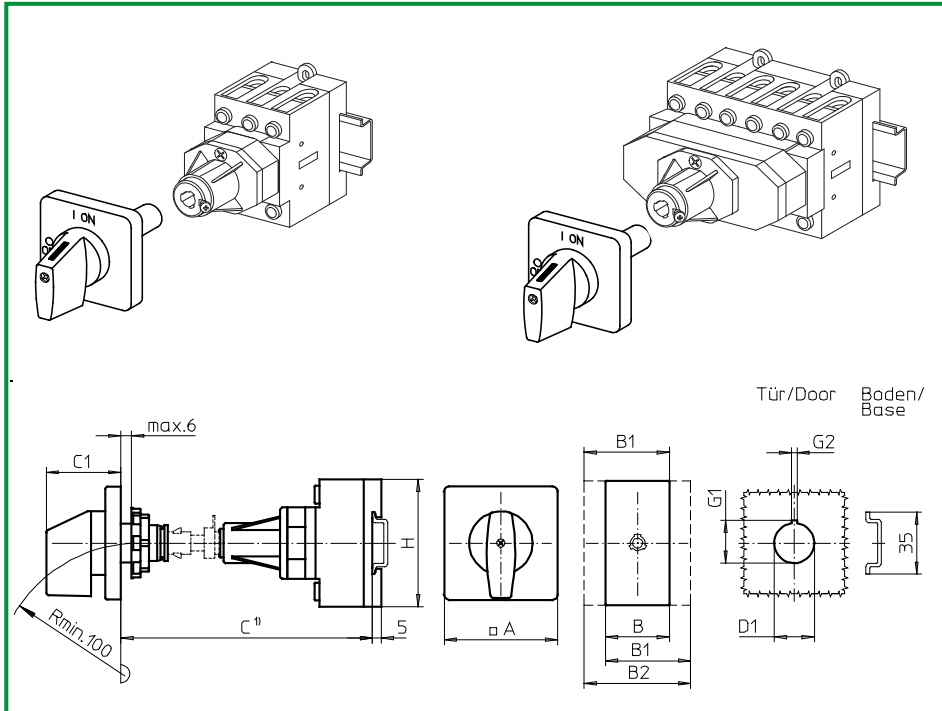
## Dimensions (mm)

| Product lines | A  | B  | B1 | B2 | C1 | D1   | G1   | G2  | H  |
|---------------|----|----|----|----|----|------|------|-----|----|
| H200-A        | 48 | 36 | 48 | 60 | 32 | 22,5 | 24,2 | 3,2 | 70 |
| H200-B        | 48 | 50 | 69 | 88 | 32 | 22,5 | 24,2 | 3,2 | 72 |

Modular shaft extensions see page B5-17.

# Base Mounting Switches

# sälzer



**Product lines**  
**H200-A/-B/-D/-E**

**Base mounting switch**  
Operator module of next size

**Door clutch**  
Metal shaft extension  
With shaft retaining screw

**Single hole mounting**  
ø 22,5 mm front

**264M1** (IP66)

| Complete switch                            | Poles   | Product lines | Rated data (IEC 60947)             |                               |            | Order code number            |
|--|---------|---------------|------------------------------------|-------------------------------|------------|------------------------------|
|  |         |               | Operational current I <sub>e</sub> | Operational power at 380–440V |            |                              |
|  |         |               | AC-21A<br>A                        | AC-23A<br>kW                  | AC-3<br>kW |                              |
| ON-OFF Switches<br>Switching angle 90°     | 3 ... 8 | H200-A/-D     | 20                                 | 5,5                           | 3,7        | <b>H216 - 41 ... - 264M1</b> |
|  |         |               | 25                                 | 7,5                           | 5,5        | <b>H220 - 41 ... - 264M1</b> |
|  |         |               | 32                                 | 11                            | 7,5        | <b>H226 - 41 ... - 264M1</b> |
|  |         |               | 40                                 | 15                            | 11         | <b>H233 - 41 ... - 264M1</b> |
|  |         |               | 63                                 | 22                            | 18,5       | <b>H263 - 41 ... - 264M1</b> |
| Changeover with OFF<br>Switching angle 90° | 3 ... 4 | H200-E        | 20                                 | 5,5                           | 3,7        | <b>H216 - 71 ... - 264M1</b> |
|  |         |               | 25                                 | 7,5                           | 5,5        | <b>H220 - 71 ... - 264M1</b> |
|  |         |               | 32                                 | 11                            | 7,5        | <b>H226 - 71 ... - 264M1</b> |
|  |         |               | 40                                 | 22                            | 18,5       | <b>H233 - 71 ... - 264M1</b> |

| SMD modules for basic switch A02  |                               |   |
|---|-------------------------------|---|
| Mounting form module for 264M1  | H200-A<br>H200-B/-D<br>H200-E | <b>BFA2 - 260</b><br><b>BFB2 - 260</b><br><b>BFC2 - 260</b> |
| M-operator module 64 × 64 mm, mounting form 264M1<br>Escutcheon black, handle black | H200-A/-B/-D/-E               | <b>2NM1</b>   |
| Legend plate silver, operator module 264M1  |                               | <b>FAS4 - 9...</b> (FA number)                              |

| Dimensions (mm) |    |    |    |    |    |      |      |     |    |
|-----------------|----|----|----|----|----|------|------|-----|----|
| Product lines   | A  | B  | B1 | B2 | C1 | D1   | G1   | G2  | H  |
| H200-A          | 64 | 36 | 48 | 60 | 39 | 22,5 | 24,2 | 3,2 | 70 |
| H200-B          | 64 | 50 | 69 | 88 | 39 | 22,5 | 24,2 | 3,2 | 72 |
| H200-D          | 64 | 72 | 84 | 96 | 39 | 22,5 | 24,2 | 3,2 | 70 |
| H200-E          | 64 | 72 | 84 | 96 | 39 | 22,5 | 24,2 | 3,2 | 70 |

Modular shaft extensions see page B5-17.

# Base Mounting Switches

# sälzer

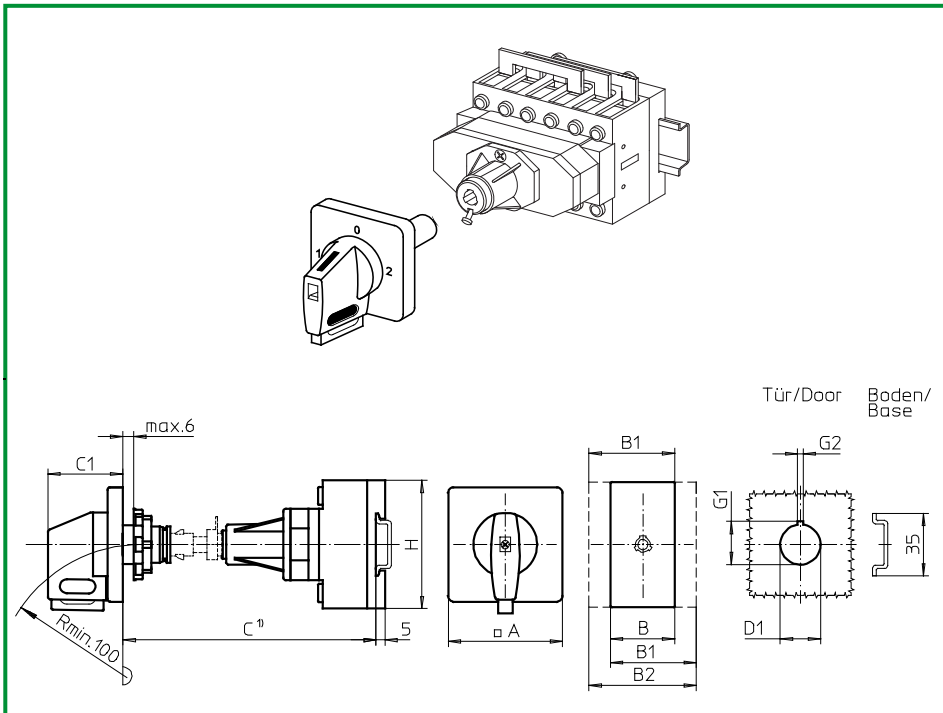
**Product line**  
**H200-E**

**Base mounting switch**  
Operator module of next size

**Door clutch**  
Metal shaft extension  
With shaft retaining screw

**Single hole mounting**  
ø 22,5 mm front

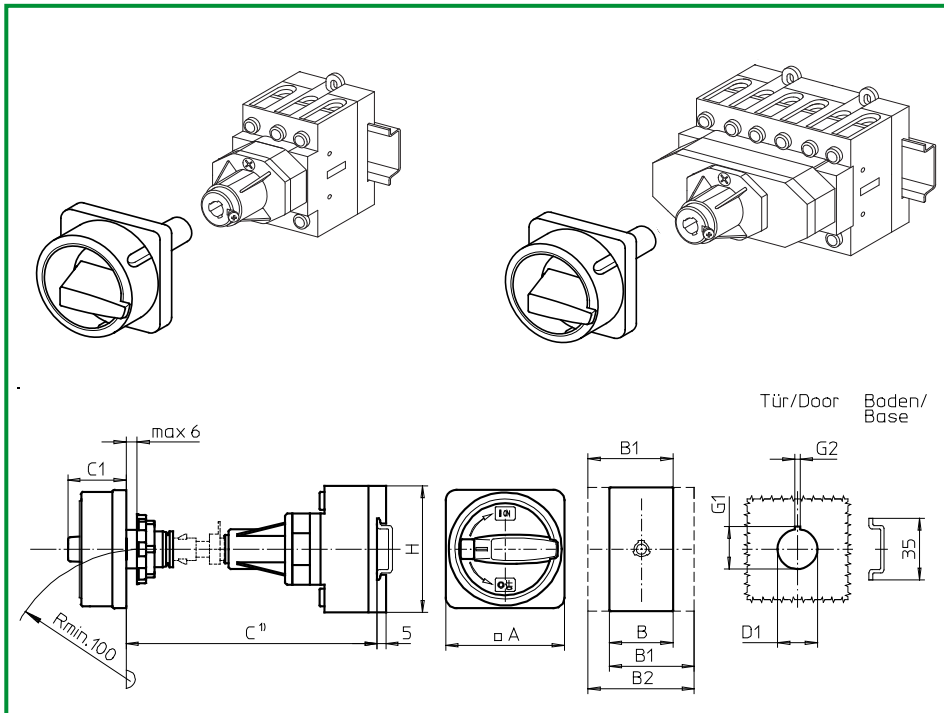
**264V1** (IP66)  
**270V1** (IP66)



| Complete switch  | Poles    | Product lines | Rated data (IEC 60947)             |                               |            | Order code number              |           |           |          |
|--|----------|---------------|------------------------------------|-------------------------------|------------|--------------------------------|-----------|-----------|----------|
|  |          |               | Operational current I <sub>e</sub> | Operational power at 380–440V |            |                                |           |           |          |
|  |          |               | AC-21A<br>A                        | AC-23A<br>kW                  | AC-3<br>kW |                                |           |           |          |
| Changeover with OFF<br>Switching angle 90°<br>OFF position padlockable 12h             | 3 ... 4  | H200-E        | 20                                 | 5,5                           | 3,7        | <b>H216 - 71 ... - 264V1</b>   |           |           |          |
|  |          |               | 25                                 | 7,5                           | 5,5        | <b>H220 - 71 ... - 264V1</b>   |           |           |          |
|  |          |               | 32                                 | 11                            | 7,5        | <b>H226 - 71 ... - 264V1</b>   |           |           |          |
|  |          |               | 40                                 | 15                            | 11         | <b>H233 - 71 ... - 264V1</b>   |           |           |          |
| Changeover with OFF<br>Switching angle 90°<br>3 positions padlockable<br>(09h/12h/03h) | 3 ... 4  | H200-E        | 20                                 | 5,5                           | 3,7        | <b>H216 - 71 ... - 270V1</b>   |           |           |          |
|  |          |               | 25                                 | 7,5                           | 5,5        | <b>H220 - 71 ... - 270V1</b>   |           |           |          |
|  |          |               | 32                                 | 11                            | 7,5        | <b>H226 - 71 ... - 270V1</b>   |           |           |          |
|  |          |               | 40                                 | 15                            | 11         | <b>H233 - 71 ... - 270V1</b>   |           |           |          |
| <b>SMD modules for basic switch A02</b>  |          |               |                                    |                               |            |                                |           |           |          |
| Mounting form module for 264V1/270V1   |          |               | H200-E                             |                               |            | <b>BFC2 - 260</b>              |           |           |          |
| V-operator module 64 × 64 mm, mounting form 264V1<br>Escutcheon black, handle black    |          |               |                                    |                               |            | <b>2NV1 - 12</b>               |           |           |          |
| V-operator module 64 × 64 mm, mounting form 270V1<br>Escutcheon black, handle black    |          |               |                                    |                               |            | <b>2NV1 - 99</b>               |           |           |          |
| Legend plate silver, operator modules 264V1/270V1                                      |          |               |                                    |                               |            | <b>FAS4 - 9...</b> (FA number) |           |           |          |
| <b>Dimensions (mm)</b>   |          |               |                                    |                               |            |                                |           |           |          |
| <b>Product line</b>  | <b>A</b> | <b>B</b>      | <b>B1</b>                          | <b>B2</b>                     | <b>C1</b>  | <b>D1</b>                      | <b>G1</b> | <b>G2</b> | <b>H</b> |
| H200-E   | 64       | 72            | 84                                 | 96                            | 39         | 22,5                           | 24,2      | 3,2       | 70       |
| <b>Modular shaft extensions see page B5-17.</b>  |          |               |                                    |                               |            |                                |           |           |          |

# Base Mounting Switches

**sälzer**



**Product lines  
H200-A/-B/-D**

**Base mounting switch**

**Door clutch**

Metal shaft extension  
With shaft retaining screw

**Single hole mounting**

ø 22,5 mm front

**260M1** (IP66)

**260M4** (IP66)

| Complete switch   | Poles   | Product lines | Rated data (IEC 60947)             |                               |            | Order code number            |
|---|---------|---------------|------------------------------------|-------------------------------|------------|------------------------------|
|   |         |               | Operational current I <sub>e</sub> | Operational power at 380–440V |            |                              |
|   |         |               | AC-21A<br>A                        | AC-23A<br>kW                  | AC-3<br>kW |                              |
| Main Switches<br>OFF position padlockable 09h               | 3 ... 8 | H200-A/-D     | 20                                 | 5,5                           | 3,7        | <b>H216 - 41 ... - 260M1</b> |
|   |         |               | 25                                 | 7,5                           | 5,5        | <b>H220 - 41 ... - 260M1</b> |
|   |         |               | 32                                 | 11                            | 7,5        | <b>H226 - 41 ... - 260M1</b> |
|   |         |               | 40                                 | 15                            | 11         | <b>H233 - 41 ... - 260M1</b> |
|   |         |               | 63                                 | 22                            | 18,5       | <b>H263 - 41 ... - 260M1</b> |
| Main/Emergency-Off Switches<br>OFF position padlockable 09h | 3 ... 8 | H200-A/-D     | 20                                 | 5,5                           | 3,7        | <b>H216 - 41 ... - 260M4</b> |
|   |         |               | 25                                 | 7,5                           | 5,5        | <b>H220 - 41 ... - 260M4</b> |
|   |         |               | 32                                 | 11                            | 7,5        | <b>H226 - 41 ... - 260M4</b> |
|   |         |               | 40                                 | 15                            | 11         | <b>H233 - 41 ... - 260M4</b> |
|   |         |               | 63                                 | 22                            | 18,5       | <b>H263 - 41 ... - 260M4</b> |
|   | 3 ... 4 | H200-B        |                                    |                               |            |                              |

## SMD modules for basic switch A02

Mounting form module for 260M.

H200-A  
H200-B/-D

**BFA2 - 260**  
**BFB2 - 260**

M-padlock device 67 × 67 mm, mounting form 260M1  
Escutcheon black, padlockable handle black

H200-A/-B/-D

**2GM1**

M-padlock device 67 × 67 mm, mounting form 260M4  
Escutcheon yellow, padlockable handle red

**2GM4**

## Dimensions (mm)

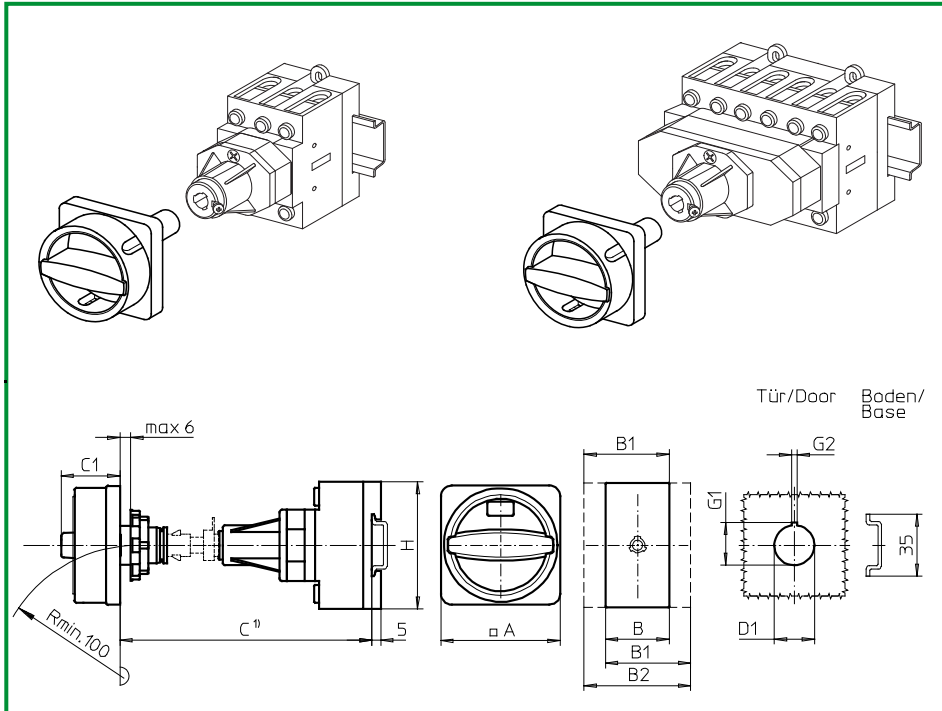
| Product lines | A  | B  | B1 | B2 | C1 | D1   | G1   | G2  | H  |
|---------------|----|----|----|----|----|------|------|-----|----|
| H200-A        | 67 | 36 | 48 | 60 | 38 | 22,5 | 24,2 | 3,2 | 70 |
| H200-B        | 67 | 50 | 69 | 88 | 38 | 22,5 | 24,2 | 3,2 | 72 |
| H200-D        | 67 | 72 | 84 | 96 | 38 | 22,5 | 24,2 | 3,2 | 70 |

Modular shaft extensions see page B5-17.



# Base Mounting Switches

# sälzer



**Product lines**  
**H200-A/-B/-D**

**Base mounting switch**

**Door clutch**

Metal shaft extension  
With shaft retaining screw

**Single hole mounting**

ø 22,5 mm front

**260N1 (IP66)**

**260N4 (IP66)**

| Complete switch   | Poles   | Product lines | Rated data (IEC 60947)             |                               |            | Order code number            |
|---|---------|---------------|------------------------------------|-------------------------------|------------|------------------------------|
|   |         |               | Operational current I <sub>e</sub> | Operational power at 380–440V |            |                              |
|   |         |               | AC-21A<br>A                        | AC-23A<br>kW                  | AC-3<br>kW |                              |
| Main Switches<br>OFF position padlockable 12h               | 3 ... 8 | H200-A/-D     | 20                                 | 5,5                           | 3,7        | <b>H216 - 41 ... - 260N1</b> |
|   |         |               | 25                                 | 7,5                           | 5,5        | <b>H220 - 41 ... - 260N1</b> |
|   |         |               | 32                                 | 11                            | 7,5        | <b>H226 - 41 ... - 260N1</b> |
|   |         |               | 40                                 | 15                            | 11         | <b>H233 - 41 ... - 260N1</b> |
|   |         |               | 63                                 | 22                            | 18,5       | <b>H263 - 41 ... - 260N1</b> |
| Main/Emergency-Off Switches<br>OFF position padlockable 12h | 3 ... 8 | H200-A/-D     | 20                                 | 5,5                           | 3,7        | <b>H216 - 41 ... - 260N4</b> |
|   |         |               | 25                                 | 7,5                           | 5,5        | <b>H220 - 41 ... - 260N4</b> |
|   |         |               | 32                                 | 11                            | 7,5        | <b>H226 - 41 ... - 260N4</b> |
|   |         |               | 40                                 | 15                            | 11         | <b>H233 - 41 ... - 260N4</b> |
|   |         |               | 63                                 | 22                            | 18,5       | <b>H263 - 41 ... - 260N4</b> |
|   | 3 ... 4 | H200-B        |                                    |                               |            |                              |

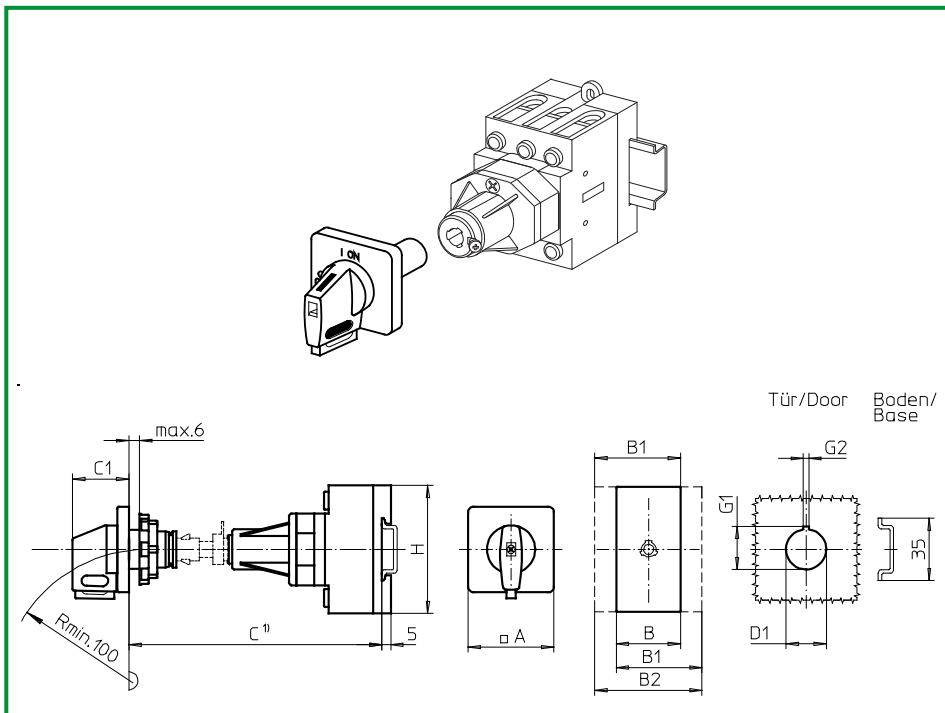
| SMD modules for basic switch A02   |                     |  |
|--|---------------------|--|
| Mounting form module for 260N.   | H200-A<br>H200-B/-D | <b>BFA2 - 260</b><br><b>BFB2 - 260</b> |
| N-padlock device 67 × 67 mm, mounting form 260N1<br>Escutcheon black, padlockable handle black | H200-A/-B/-D        | <b>2GN1</b>                            |
| N-padlock device 67 × 67 mm, mounting form 260N4<br>Escutcheon yellow, padlockable handle red  |                     | <b>2GN4</b>                            |

| Dimensions (mm) |    |    |    |    |    |      |      |     |    |
|-----------------|----|----|----|----|----|------|------|-----|----|
| Product lines   | A  | B  | B1 | B2 | C1 | D1   | G1   | G2  | H  |
| H200-A          | 67 | 36 | 48 | 60 | 33 | 22,5 | 24,2 | 3,2 | 70 |
| H200-B          | 67 | 50 | 69 | 88 | 33 | 22,5 | 24,2 | 3,2 | 72 |
| H200-D          | 67 | 72 | 84 | 96 | 33 | 22,5 | 24,2 | 3,2 | 70 |

Modular shaft extensions see page B5-17.

# Base Mounting Switches

**sälzer**



**Product lines  
H200-A/-B**

**Base mounting switch**

**Door clutch**

Metal shaft extension  
With shaft retaining screw

**Single hole mounting**

∅ 22,5 mm front

**260V1 (IP66)**

**260V4 (IP66)**

| Complete switch   | Poles   | Product lines | Rated data (IEC 60947)             |                               |            | Order code number            |
|---|---------|---------------|------------------------------------|-------------------------------|------------|------------------------------|
|   |         |               | Operational current I <sub>e</sub> | Operational power at 380–440V |            |                              |
|   |         |               | AC-21A<br>A                        | AC-23A<br>kW                  | AC-3<br>kW |                              |
| Main Switches<br>OFF position padlockable 09h               | 3 ... 4 | H200-A        | 20                                 | 5,5                           | 3,7        | <b>H216 - 41 ... - 260V1</b> |
|   |         |               | 25                                 | 7,5                           | 5,5        | <b>H220 - 41 ... - 260V1</b> |
|   |         |               | 32                                 | 11                            | 7,5        | <b>H226 - 41 ... - 260V1</b> |
|   |         |               | 40                                 | 15                            | 11         | <b>H233 - 41 ... - 260V1</b> |
|   |         |               | 63                                 | 22                            | 18,5       | <b>H263 - 41 ... - 260V1</b> |
| Main/Emergency-Off Switches<br>OFF position padlockable 09h | 3 ... 4 | H200-A        | 20                                 | 5,5                           | 3,7        | <b>H216 - 41 ... - 260V4</b> |
|   |         |               | 25                                 | 7,5                           | 5,5        | <b>H220 - 41 ... - 260V4</b> |
|   |         |               | 32                                 | 11                            | 7,5        | <b>H226 - 41 ... - 260V4</b> |
|   |         |               | 40                                 | 15                            | 11         | <b>H233 - 41 ... - 260V4</b> |
|   |         |               | 63                                 | 22                            | 18,5       | <b>H263 - 41 ... - 260V4</b> |
|   |         | H200-B        |                                    |                               |            |                              |

## SMD modules for basic switch A02

Mounting form module for 260V.

H200-A  
H200-B

**BFA2 - 260**  
**BFB2 - 260**

V-operator module 48 × 48 mm, mounting form 260V1  
Escutcheon black, handle black

H200-A/-B

**2LV1 - 09**

Legend plate silver, operator module 260V1

**FAS2 - 9078**

V-operator module 48 × 48 mm, mounting form 260V4  
Escutcheon black, handle red

**2LV4 - 09**

Legend plate yellow, operator module 260V4

**FBS2 - 9078**

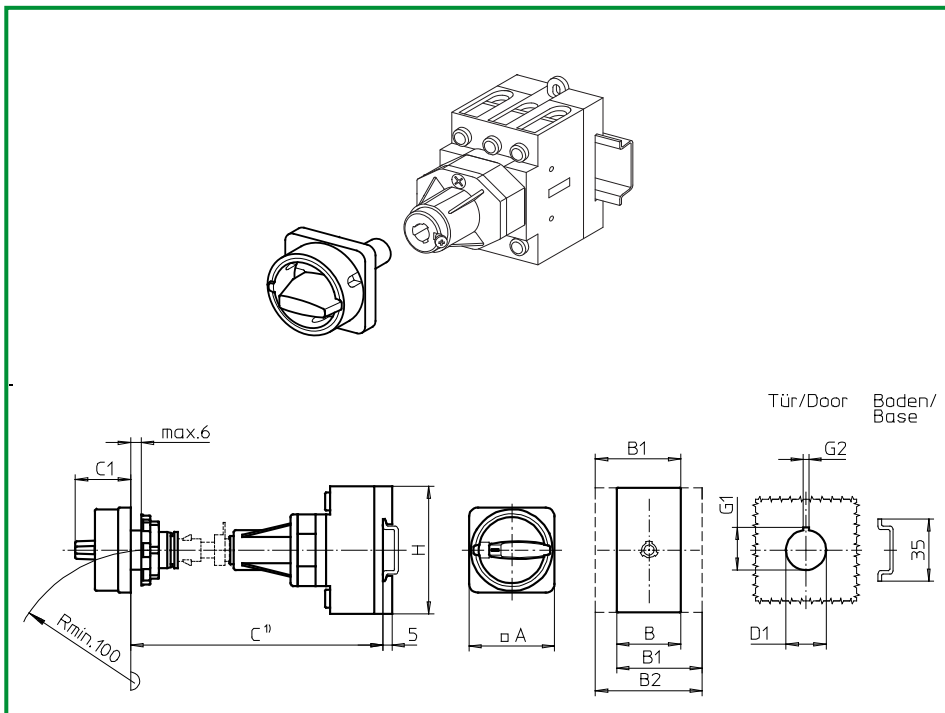
## Dimensions (mm)

| Product lines | A  | B  | B1 | B2 | C1 | D1   | G1   | G2  | H  |
|---------------|----|----|----|----|----|------|------|-----|----|
| H200-A        | 48 | 36 | 48 | 60 | 32 | 22,5 | 24,2 | 3,2 | 70 |
| H200-B        | 48 | 50 | 69 | 88 | 32 | 22,5 | 24,2 | 3,2 | 72 |

Modular shaft extensions see page B5-17.

# Base Mounting Switches

**sälzer**



**Product lines  
H200-A/-B**

**Base mounting switch**

**Door clutch**

Metal shaft extension  
With shaft retaining screw

**Single hole mounting**

ø 22,5 mm front

**266M1 (IP66)**

**266M4 (IP66)**

| Complete switch   | Poles   | Product lines | Rated data (IEC 60947)   |                               |            | Order code number            |  |
|---|---------|---------------|--|-------------------------------|------------|------------------------------|--|
|   |         |               | Operational current I <sub>e</sub>   | Operational power at 380–440V |            |                              |  |
|   |         |               | AC-21A<br>A  | AC-23A<br>kW                  | AC-3<br>kW |                              |  |
| Main Switches<br>OFF position padlockable 09h               | 3 ... 4 | H200-A        | 20   | 5,5                           | 3,7        | <b>H216 - 41 ... - 266M1</b> |  |
|   |         |               | 25   | 7,5                           | 5,5        | <b>H220 - 41 ... - 266M1</b> |  |
|   |         |               | 32   | 11                            | 7,5        | <b>H226 - 41 ... - 266M1</b> |  |
|   |         |               | 40   | 15                            | 11         | <b>H233 - 41 ... - 266M1</b> |  |
|   |         |               | 63   | 22                            | 18,5       | <b>H263 - 41 ... - 266M1</b> |  |
| Main/Emergency-Off Switches<br>OFF position padlockable 09h | 3 ... 4 | H200-A        | 20   | 5,5                           | 3,7        | <b>H216 - 41 ... - 266M4</b> |  |
|   |         |               | 25   | 7,5                           | 5,5        | <b>H220 - 41 ... - 266M4</b> |  |
|   |         |               | 32   | 11                            | 7,5        | <b>H226 - 41 ... - 266M4</b> |  |
|   |         |               | 40   | 15                            | 11         | <b>H233 - 41 ... - 266M4</b> |  |
|   |         |               | 63   | 22                            | 18,5       | <b>H263 - 41 ... - 266M4</b> |  |
| SMD modules for basic switch A02                            |         |               |  |                               |            |                              |  |
|   |         |               | Mounting form module for 266M.   |                               |            | H200-A<br>H200-B             | <b>BFA2 - 260</b><br><b>BFB2 - 260</b> |
|   |         |               | M-padlock device 48 x 48 mm, mounting form 266M1<br>Escutcheon black, padlockable handle black |                               |            | H200-A/-B                    | <b>2MM1</b>                            |
|   |         |               | M-padlock device 48 x 48 mm, mounting form 266M4<br>Escutcheon yellow, padlockable handle red  |                               |            |                              | <b>2MM4</b>                            |

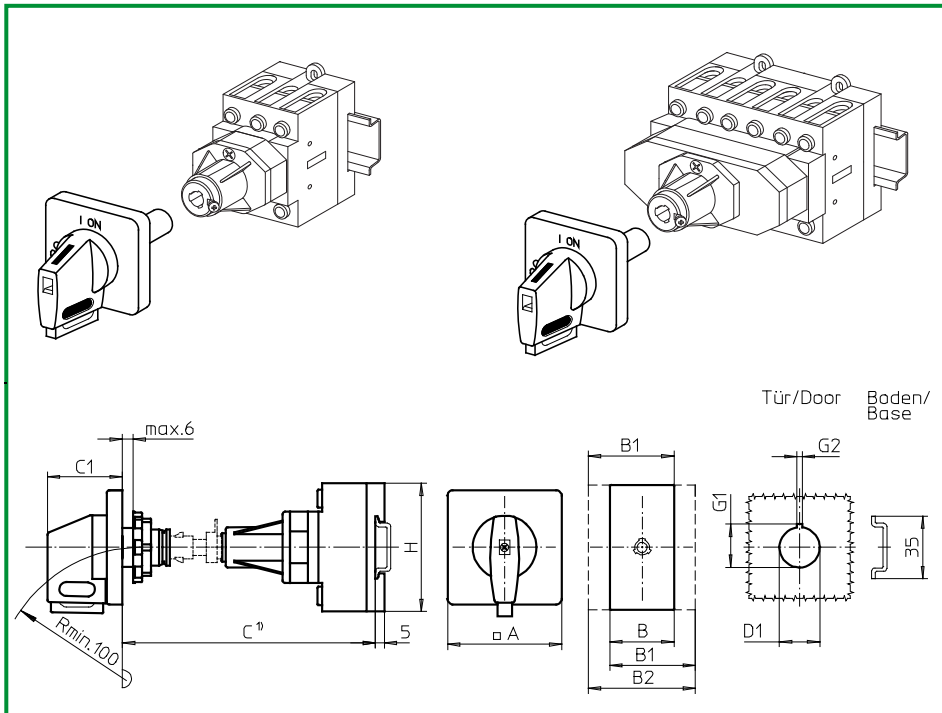
## Dimensions (mm)

| Product lines | A  | B  | B1 | B2 | C1 | D1   | G1   | G2  | H  |
|---------------|----|----|----|----|----|------|------|-----|----|
| H200-A        | 48 | 36 | 48 | 60 | 31 | 22,5 | 24,2 | 3,2 | 70 |
| H200-B        | 48 | 50 | 69 | 88 | 31 | 22,5 | 24,2 | 3,2 | 72 |

Modular shaft extensions see page B5-17.

# Base Mounting Switches

**sälzer**



**Product lines  
H200-A/-B/-D**

**Base mounting switch**  
Operator module of next size

**Door clutch**  
Metal shaft extension  
With shaft retaining screw

**Single hole mounting**  
ø 22,5 mm front

**268V1 (IP66)**  
**268V4 (IP66)**

| Complete switch   | Poles   | Product lines | Rated data (IEC 60947)             |                               |            | Order code number            |
|---|---------|---------------|------------------------------------|-------------------------------|------------|------------------------------|
|   |         |               | Operational current I <sub>e</sub> | Operational power at 380–440V |            |                              |
|   |         |               | AC-21A<br>A                        | AC-23A<br>kW                  | AC-3<br>kW |                              |
| Main Switches<br>OFF position padlockable 09h               | 3 ... 8 | H200-A/-D     | 20                                 | 5,5                           | 3,7        | <b>H216 - 41 ... - 268V1</b> |
|   |         |               | 25                                 | 7,5                           | 5,5        | <b>H220 - 41 ... - 268V1</b> |
|   |         |               | 32                                 | 11                            | 7,5        | <b>H226 - 41 ... - 268V1</b> |
|   |         |               | 40                                 | 15                            | 11         | <b>H233 - 41 ... - 268V1</b> |
|   |         |               | 63                                 | 22                            | 18,5       | <b>H263 - 41 ... - 268V1</b> |
| Main/Emergency-Off Switches<br>OFF position padlockable 09h | 3 ... 8 | H200-A/-D     | 20                                 | 5,5                           | 3,7        | <b>H216 - 41 ... - 268V4</b> |
|   |         |               | 25                                 | 7,5                           | 5,5        | <b>H220 - 41 ... - 268V4</b> |
|   |         |               | 32                                 | 11                            | 7,5        | <b>H226 - 41 ... - 268V4</b> |
|   |         |               | 40                                 | 15                            | 11         | <b>H233 - 41 ... - 268V4</b> |
|   |         |               | 63                                 | 22                            | 18,5       | <b>H263 - 41 ... - 268V4</b> |
|   | 3 ... 4 | H200-B        |                                    |                               |            |                              |

| SMD modules for basic switch A02  |                     |  |
|---|---------------------|--|
| Mounting form module for 268V.  | H200-A<br>H200-B/-D | <b>BFA2 - 260</b><br><b>BFB2 - 260</b> |
| V-operator module 64 × 64 mm, mounting form 268V1<br>Escutcheon black, handle black | H200-A/-B/-D        | <b>2NV1 - 09</b>                       |
| Legend plate silver, operator module 268V1  |                     | <b>FAS4 - 9078</b>                     |
| V-operator module 64 × 64 mm, mounting form 268V4<br>Escutcheon black, handle red   |                     | <b>2NV4 - 09</b>                       |
| Legend plate yellow, operator module 268V4  |                     | <b>FBS4 - 9078</b>                     |

| Dimensions (mm) |    |    |    |    |    |      |      |     |    |
|-----------------|----|----|----|----|----|------|------|-----|----|
| Product lines   | A  | B  | B1 | B2 | C1 | D1   | G1   | G2  | H  |
| H200-A          | 64 | 36 | 48 | 60 | 39 | 22,5 | 24,2 | 3,2 | 70 |
| H200-B          | 64 | 50 | 69 | 88 | 39 | 22,5 | 24,2 | 3,2 | 72 |
| H200-D          | 64 | 72 | 84 | 96 | 39 | 22,5 | 24,2 | 3,2 | 70 |

Modular shaft extensions see page B5-17.

# Base Mounting Switches

**sälzer**

**Product lines  
H200-A/-B**

**Base mounting switch**

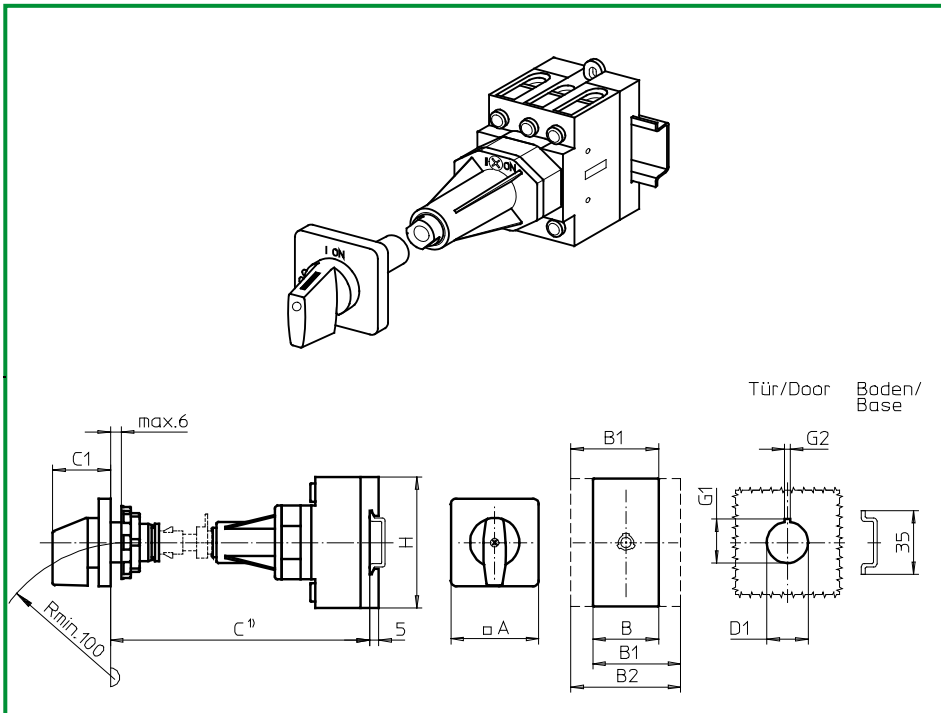
**Door clutch**

Metal shaft extension  
With shaft retaining bush

**Single hole mounting**

∅ 22,5 mm front

**282M1 (IP66)**



| Complete switch                        | Poles   | Product lines | Rated data (IEC 60947)             |                               |            | Order code number            |
|--|---------|---------------|------------------------------------|-------------------------------|------------|------------------------------|
|  |         |               | Operational current I <sub>e</sub> | Operational power at 380–440V |            |                              |
|  |         |               | AC-21A<br>A                        | AC-23A<br>kW                  | AC-3<br>kW |                              |
| ON-OFF Switches<br>Switching angle 90° | 3 ... 4 | H200-A        | 20                                 | 5,5                           | 3,7        | <b>H216 - 41 ... - 282M1</b> |
|  |         |               | 25                                 | 7,5                           | 5,5        | <b>H220 - 41 ... - 282M1</b> |
|  |         |               | 32                                 | 11                            | 7,5        | <b>H226 - 41 ... - 282M1</b> |
|  |         |               | 40                                 | 15                            | 11         | <b>H233 - 41 ... - 282M1</b> |
|  | 3 ... 4 | H200-B        | 63                                 | 22                            | 18,5       | <b>H263 - 41 ... - 282M1</b> |

## SMD modules for basic switch A02

Mounting form module for 282M1

H200-A  
H200-B

**BFA2 - 280**  
**BFB2 - 280**

M-operator module 48 x 48 mm, mounting form 282M1  
Escutcheon black, handle black

H200-A/-B

**2LM1**

Legend plate silver, operator module 282M1

**FAS2 - 9...** (FA number)

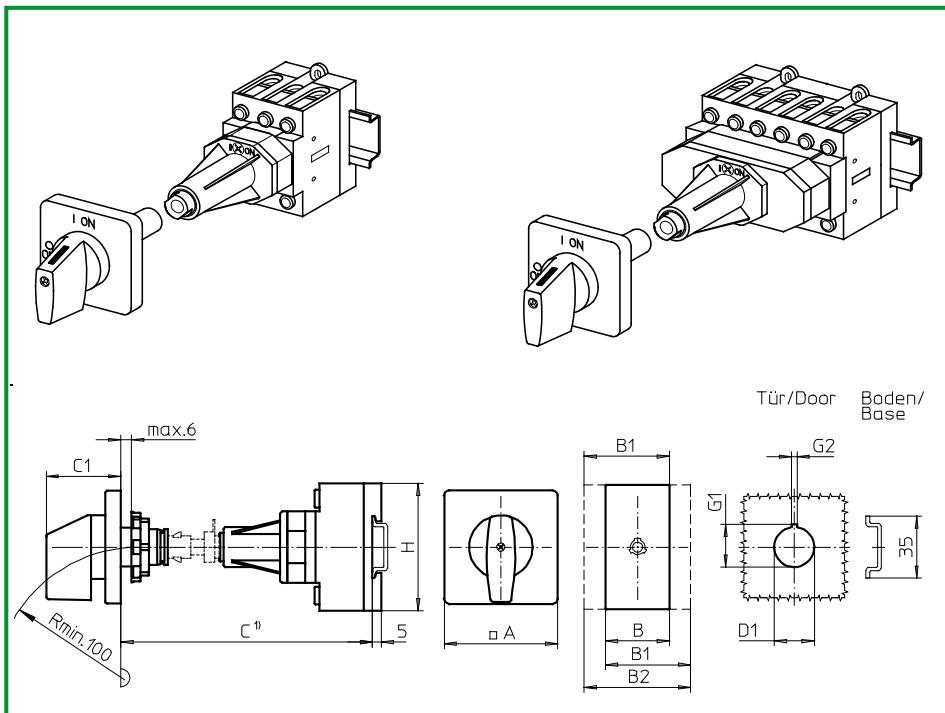
## Dimensions (mm)

| Product lines | A  | B  | B1 | B2 | C1 | D1   | G1   | G2  | H  |
|---------------|----|----|----|----|----|------|------|-----|----|
| H200-A        | 48 | 36 | 48 | 60 | 32 | 22,5 | 24,2 | 3,2 | 70 |
| H200-B        | 48 | 50 | 69 | 88 | 32 | 22,5 | 24,2 | 3,2 | 72 |

Modular shaft extensions see page B5-17.

# Base Mounting Switches

# sälzer



**Product lines**  
H200-A/-B/-D/-E

**Base mounting switch**  
Operator module of next size

**Door clutch**  
Metal shaft extension  
With shaft retaining bush

**Single hole mounting**  
ø 22,5 mm front

**284M1** (IP66)

| Complete switch                            | Poles   | Product lines | Rated data (IEC 60947)             |                               |            | Order code number            |
|--|---------|---------------|------------------------------------|-------------------------------|------------|------------------------------|
|  |         |               | Operational current I <sub>e</sub> | Operational power at 380–440V |            |                              |
|  |         |               | AC-21A<br>A                        | AC-23A<br>kW                  | AC-3<br>kW |                              |
| ON-OFF Switches<br>Switching angle 90°     | 3 ... 8 | H200-A/-D     | 20                                 | 5,5                           | 3,7        | <b>H216 - 41 ... - 284M1</b> |
|  |         |               | 25                                 | 7,5                           | 5,5        | <b>H220 - 41 ... - 284M1</b> |
|  |         |               | 32                                 | 11                            | 7,5        | <b>H226 - 41 ... - 284M1</b> |
|  |         |               | 40                                 | 15                            | 11         | <b>H233 - 41 ... - 284M1</b> |
|  | 3 ... 4 | H200-B        | 63                                 | 22                            | 18,5       | <b>H263 - 41 ... - 284M1</b> |
| Changeover with OFF<br>Switching angle 90° | 3 ... 4 | H200-E        | 20                                 | 5,5                           | 3,7        | <b>H216 - 71 ... - 284M1</b> |
|  |         |               | 25                                 | 7,5                           | 5,5        | <b>H220 - 71 ... - 284M1</b> |
|  |         |               | 32                                 | 11                            | 7,5        | <b>H226 - 71 ... - 284M1</b> |
|  |         |               | 40                                 | 22                            | 18,5       | <b>H233 - 71 ... - 284M1</b> |

| SMD modules for basic switch A02  |                               |   |
|---|-------------------------------|---|
| Mounting form module for 284M1  | H200-A<br>H200-B/-D<br>H200-E | <b>BFA2 - 280</b><br><b>BFB2 - 280</b><br><b>BFC2 - 280</b> |
| M-operator module 64 × 64 mm, mounting form 284M1<br>Escutcheon black, handle black | H200-A/-B/-D/-E               | <b>2NM1</b>   |
| Legend plate silver, operator module 284M1  |                               | <b>FAS4 - 9...</b> (FA number)                              |

| Dimensions (mm) |    |    |    |    |    |      |      |     |    |
|-----------------|----|----|----|----|----|------|------|-----|----|
| Product lines   | A  | B  | B1 | B2 | C1 | D1   | G1   | G2  | H  |
| H200-A          | 64 | 36 | 48 | 60 | 39 | 22,5 | 24,2 | 3,2 | 70 |
| H200-B          | 64 | 50 | 69 | 88 | 39 | 22,5 | 24,2 | 3,2 | 72 |
| H200-D          | 64 | 72 | 84 | 96 | 39 | 22,5 | 24,2 | 3,2 | 70 |
| H200-E          | 64 | 72 | 84 | 96 | 39 | 22,5 | 24,2 | 3,2 | 70 |

Modular shaft extensions see page B5-17.

# Base Mounting Switches

# sälzer

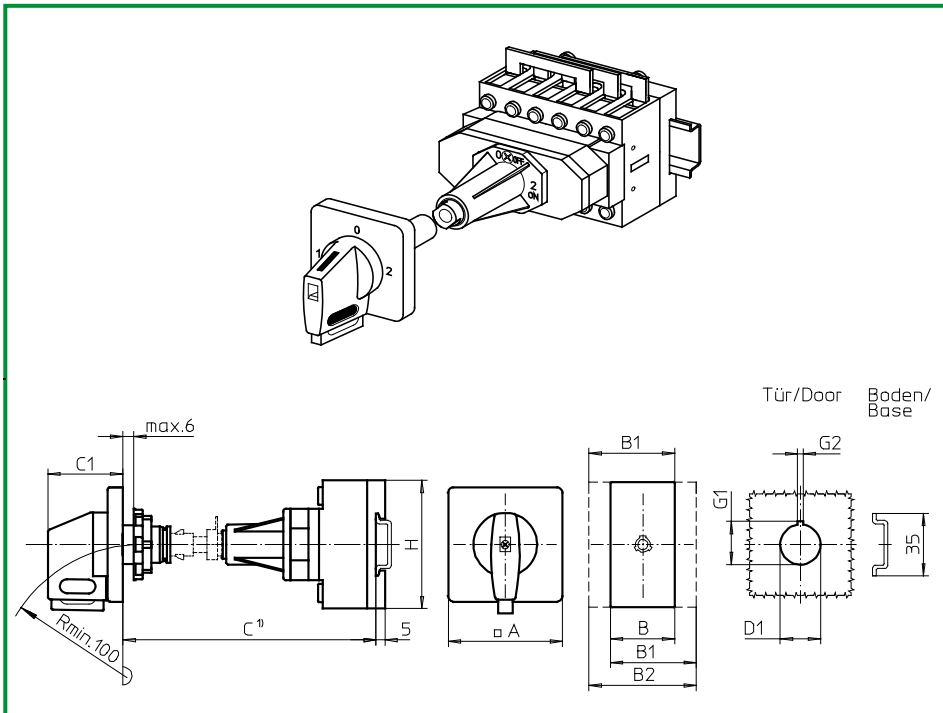
**Product line**  
**H200-E**

**Base mounting switch**  
Operator module of next size

**Door clutch**  
Metal shaft extension  
With shaft retaining bush

**Single hole mounting**  
ø 22,5 mm front

**284V1 (IP66)**  
**290V1 (IP66)**



| Complete switch  | Poles   | Product lines | Rated data (IEC 60947)             |                               |            | Order code number            |
|--|---------|---------------|------------------------------------|-------------------------------|------------|------------------------------|
|  |         |               | Operational current I <sub>e</sub> | Operational power at 380–440V |            |                              |
|  |         |               | AC-21A<br>A                        | AC-23A<br>kW                  | AC-3<br>kW |                              |
| Changeover with OFF<br>Switching angle 90°<br>OFF position padlockable 12h             | 3 ... 4 | H200-E        | 20                                 | 5,5                           | 3,7        | <b>H216 - 71 ... - 284V1</b> |
|  |         |               | 25                                 | 7,5                           | 5,5        | <b>H220 - 71 ... - 284V1</b> |
|  |         |               | 32                                 | 11                            | 7,5        | <b>H226 - 71 ... - 284V1</b> |
|  |         |               | 40                                 | 15                            | 11         | <b>H233 - 71 ... - 284V1</b> |
| Changeover with OFF<br>Switching angle 90°<br>3 positions padlockable<br>(09h/12h/03h) | 3 ... 4 | H200-E        | 20                                 | 5,5                           | 3,7        | <b>H216 - 71 ... - 290V1</b> |
|  |         |               | 25                                 | 7,5                           | 5,5        | <b>H220 - 71 ... - 290V1</b> |
|  |         |               | 32                                 | 11                            | 7,5        | <b>H226 - 71 ... - 290V1</b> |
|  |         |               | 40                                 | 15                            | 11         | <b>H233 - 71 ... - 290V1</b> |

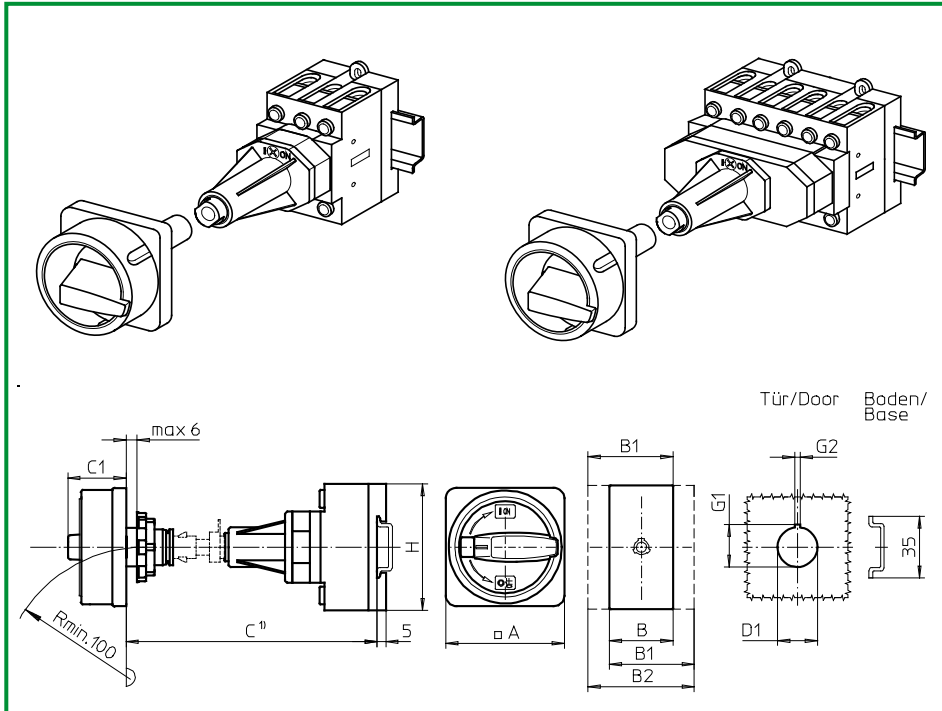
| SMD modules for basic switch A02  |  |        |                                |
|---|--|--------|--------------------------------|
| Mounting form module for 284V1/290V1  |  | H200-E | <b>BFC2 - 280</b>              |
| V-operator module 64 × 64 mm, mounting form 284V1<br>Escutcheon black, handle black |  |        | <b>2NV1 - 12</b>               |
| V-operator module 64 × 64 mm, mounting form 290V1<br>Escutcheon black, handle black |  |        | <b>2NV1 - 99</b>               |
| Legend plate silver, operator modules 284V1/290V1                                   |  |        | <b>FAS4 - 9...</b> (FA number) |

| Dimensions (mm) |    |    |    |    |    |      |      |     |    |
|-----------------|----|----|----|----|----|------|------|-----|----|
| Product line    | A  | B  | B1 | B2 | C1 | D1   | G1   | G2  | H  |
| H200-E          | 64 | 72 | 84 | 96 | 39 | 22,5 | 24,2 | 3,2 | 70 |

Modular shaft extensions see page B5-17.

# Base Mounting Switches

**sälzer**



**Product lines  
H200-A/-B/-D**

**Base mounting switch**

**Door clutch**

Metal shaft extension  
With shaft retaining bush

**Single hole mounting**

ø 22,5 mm front

**280M1** (IP66)

**280M4** (IP66)

| Complete switch   | Poles   | Product lines | Rated data (IEC 60947)             |                               |            | Order code number            |
|---|---------|---------------|------------------------------------|-------------------------------|------------|------------------------------|
|   |         |               | Operational current I <sub>e</sub> | Operational power at 380–440V |            |                              |
|   |         |               | AC-21A<br>A                        | AC-23A<br>kW                  | AC-3<br>kW |                              |
| Main Switches<br>OFF position padlockable 09h               | 3 ... 8 | H200-A/-D     | 20                                 | 5,5                           | 3,7        | <b>H216 - 41 ... - 280M1</b> |
|   |         |               | 25                                 | 7,5                           | 5,5        | <b>H220 - 41 ... - 280M1</b> |
|   |         |               | 32                                 | 11                            | 7,5        | <b>H226 - 41 ... - 280M1</b> |
|   |         |               | 40                                 | 15                            | 11         | <b>H233 - 41 ... - 280M1</b> |
|   |         |               | 63                                 | 22                            | 18,5       | <b>H263 - 41 ... - 280M1</b> |
| Main/Emergency-Off Switches<br>OFF position padlockable 09h | 3 ... 8 | H200-A/-D     | 20                                 | 5,5                           | 3,7        | <b>H216 - 41 ... - 280M4</b> |
|   |         |               | 25                                 | 7,5                           | 5,5        | <b>H220 - 41 ... - 280M4</b> |
|   |         |               | 32                                 | 11                            | 7,5        | <b>H226 - 41 ... - 280M4</b> |
|   |         |               | 40                                 | 15                            | 11         | <b>H233 - 41 ... - 280M4</b> |
|   |         |               | 63                                 | 22                            | 18,5       | <b>H263 - 41 ... - 280M4</b> |
|   | 3 ... 4 | H200-B        |                                    |                               |            |                              |
|   |         |               |                                    |                               |            |                              |

## SMD modules for basic switch A02

Mounting form module for 280M.

H200-A  
H200-B/-D

**BFA2 - 280**  
**BFB2 - 280**

M-padlock device 67 × 67 mm, mounting form 280M1  
Escutcheon black, padlockable handle black

H200-A/-B/-D

**2GM1**

M-padlock device 67 × 67 mm, mounting form 280M4  
Escutcheon yellow, padlockable handle red

**2GM4**

## Dimensions (mm)

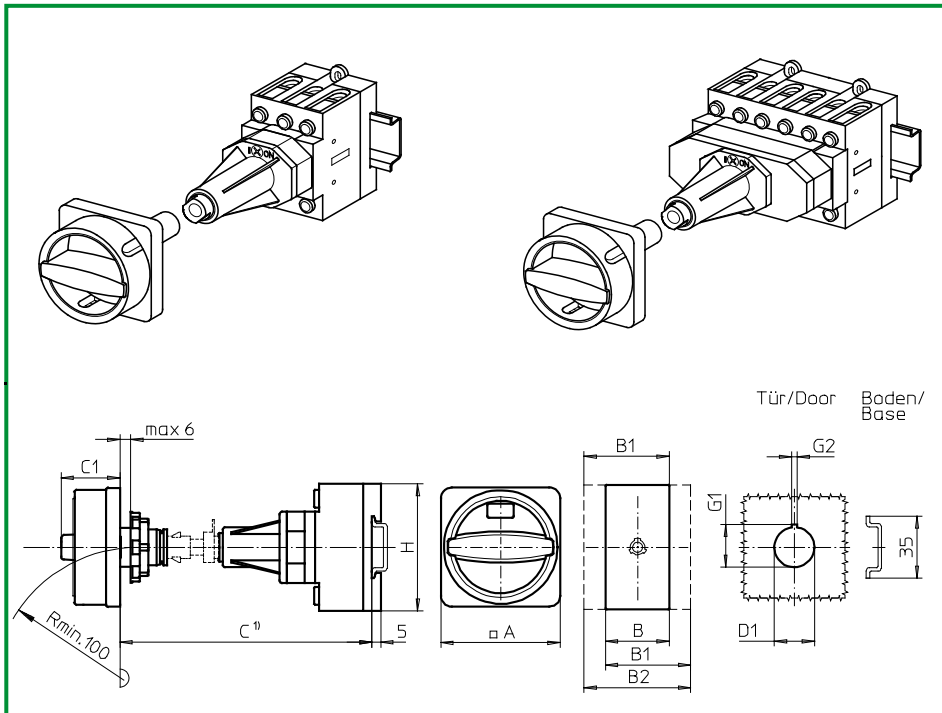
| Product lines | A  | B  | B1 | B2 | C1 | D1   | G1   | G2  | H  |
|---------------|----|----|----|----|----|------|------|-----|----|
| H200-A        | 67 | 36 | 48 | 60 | 38 | 22,5 | 24,2 | 3,2 | 70 |
| H200-B        | 67 | 50 | 69 | 88 | 38 | 22,5 | 24,2 | 3,2 | 72 |
| H200-D        | 67 | 72 | 84 | 96 | 38 | 22,5 | 24,2 | 3,2 | 70 |

Modular shaft extensions see page B5-17.



# Base Mounting Switches

**sälzer**



**Product lines  
H200-A/-B/-D**

**Base mounting switch**

**Door clutch**

Metal shaft extension  
With shaft retaining bush

**Single hole mounting**

ø 22,5 mm front

**280N1 (IP66)**

**280N4 (IP66)**

| Complete switch   | Poles   | Product lines | Rated data (IEC 60947)             |                               |            | Order code number            |
|---|---------|---------------|------------------------------------|-------------------------------|------------|------------------------------|
|   |         |               | Operational current I <sub>e</sub> | Operational power at 380–440V |            |                              |
|   |         |               | AC-21A<br>A                        | AC-23A<br>kW                  | AC-3<br>kW |                              |
| Main Switches<br>OFF position padlockable 12h               | 3 ... 8 | H200-A/-D     | 20                                 | 5,5                           | 3,7        | <b>H216 - 41 ... - 280N1</b> |
|   |         |               | 25                                 | 7,5                           | 5,5        | <b>H220 - 41 ... - 280N1</b> |
|   |         |               | 32                                 | 11                            | 7,5        | <b>H226 - 41 ... - 280N1</b> |
|   |         |               | 40                                 | 15                            | 11         | <b>H233 - 41 ... - 280N1</b> |
|   |         |               | 63                                 | 22                            | 18,5       | <b>H263 - 41 ... - 280N1</b> |
| Main/Emergency-Off Switches<br>OFF position padlockable 12h | 3 ... 8 | H200-A/-D     | 20                                 | 5,5                           | 3,7        | <b>H216 - 41 ... - 280N4</b> |
|   |         |               | 25                                 | 7,5                           | 5,5        | <b>H220 - 41 ... - 280N4</b> |
|   |         |               | 32                                 | 11                            | 7,5        | <b>H226 - 41 ... - 280N4</b> |
|   |         |               | 40                                 | 15                            | 11         | <b>H233 - 41 ... - 280N4</b> |
|   |         |               | 63                                 | 22                            | 18,5       | <b>H263 - 41 ... - 280N4</b> |
|   | 3 ... 4 | H200-B        |                                    |                               |            |                              |

## SMD modules for basic switch A02

Mounting form module for 280N.

H200-A  
H200-B/-D

**BFA2 - 280**  
**BFB2 - 280**

N-padlock device 67 × 67 mm, mounting form 280N1  
Escutcheon black, padlockable handle black

H200-A/-B/-D

**2GN1**

N-padlock device 67 × 67 mm, mounting form 280N4  
Escutcheon yellow, padlockable handle red

**2GN4**

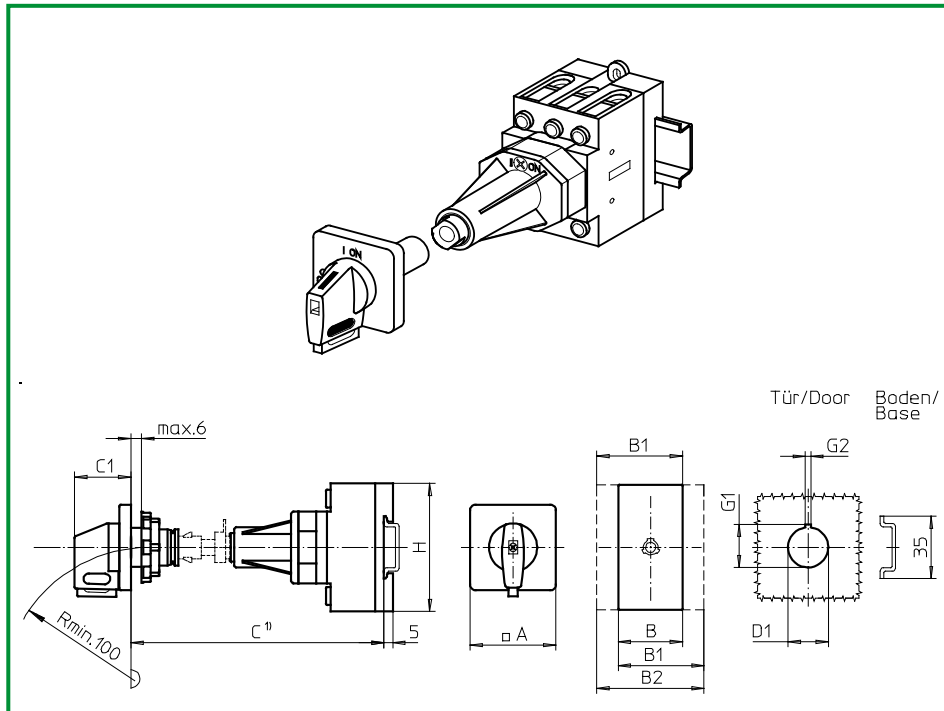
## Dimensions (mm)

| Product lines | A  | B  | B1 | B2 | C1 | D1   | G1   | G2  | H  |
|---------------|----|----|----|----|----|------|------|-----|----|
| H200-A        | 67 | 36 | 48 | 60 | 33 | 22,5 | 24,2 | 3,2 | 70 |
| H200-B        | 67 | 50 | 69 | 88 | 33 | 22,5 | 24,2 | 3,2 | 72 |
| H200-D        | 67 | 72 | 84 | 96 | 33 | 22,5 | 24,2 | 3,2 | 70 |

Modular shaft extensions see page B5-17.

# Base Mounting Switches

# sälzer



**Product lines**  
**H200-A/-B**

**Base mounting switch**

**Door clutch**

Metal shaft extension  
With shaft retaining bush

**Single hole mounting**

∅ 22,5 mm front

**280V1 (IP66)**

**280V4 (IP66)**

| Complete switch   | Poles   | Product lines | Rated data (IEC 60947)             |                               |                    | Order code number            |
|---|---------|---------------|------------------------------------|-------------------------------|--------------------|------------------------------|
|   |         |               | Operational current I <sub>e</sub> | Operational power at 380–440V |                    |                              |
|   |         |               | AC-21A<br>A                        | AC-23A<br>kW                  | AC-3<br>kW         |                              |
| Main Switches<br>OFF position padlockable 09h               | 3 ... 4 | H200-A        | 20                                 | 5,5                           | 3,7                | <b>H216 - 41 ... - 280V1</b> |
|   |         |               | 25                                 | 7,5                           | 5,5                | <b>H220 - 41 ... - 280V1</b> |
|   |         |               | 32                                 | 11                            | 7,5                | <b>H226 - 41 ... - 280V1</b> |
|   |         |               | 40                                 | 15                            | 11                 | <b>H233 - 41 ... - 280V1</b> |
|   |         |               | 63                                 | 22                            | 18,5               | <b>H263 - 41 ... - 280V1</b> |
| Main/Emergency-Off Switches<br>OFF position padlockable 09h | 3 ... 4 | H200-A        | 20                                 | 5,5                           | 3,7                | <b>H216 - 41 ... - 280V4</b> |
|   |         |               | 25                                 | 7,5                           | 5,5                | <b>H220 - 41 ... - 280V4</b> |
|   |         |               | 32                                 | 11                            | 7,5                | <b>H226 - 41 ... - 280V4</b> |
|   |         |               | 40                                 | 15                            | 11                 | <b>H233 - 41 ... - 280V4</b> |
|   |         |               | 63                                 | 22                            | 18,5               | <b>H263 - 41 ... - 280V4</b> |
| SMD modules for basic switch A02                            |         |               | H200-A                             |                               |                    | <b>BFA2 - 280</b>            |
|   |         |               | H200-B                             |                               |                    | <b>BFB2 - 280</b>            |
|   |         |               | H200-A/-B                          |                               |                    | <b>2LV1 - 09</b>             |
|   |         |               |                                    |                               |                    | <b>FAS2 - 9078</b>           |
|   |         |               |                                    |                               |                    | <b>2LV4 - 09</b>             |
|   |         |               |                                    |                               | <b>FBS2 - 9078</b> |                              |

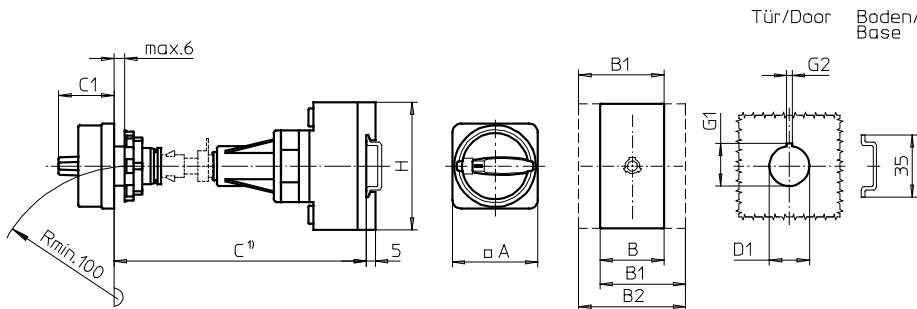
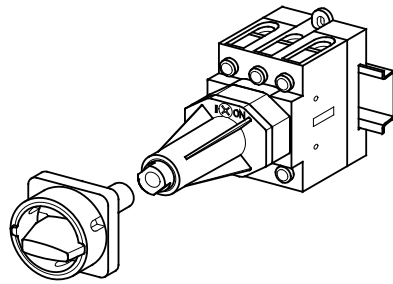
| SMD modules for basic switch A02  |  |  |  |  |  |  |  |  |  |
|---|--|--|--|--|--|--|--|--|--|
| Mounting form module for 280V.  |  |  |  |  |  |  |  |  |  |
| V-operator module 48 × 48 mm, mounting form 280V1<br>Escutcheon black, handle black |  |  |  |  |  |  |  |  |  |
| Legend plate silver, operator module 280V1  |  |  |  |  |  |  |  |  |  |
| V-operator module 48 × 48 mm, mounting form 280V4<br>Escutcheon black, handle red   |  |  |  |  |  |  |  |  |  |
| Legend plate yellow, operator module 280V4  |  |  |  |  |  |  |  |  |  |

| Dimensions (mm) |    |    |    |    |    |      |      |     |    |
|-----------------|----|----|----|----|----|------|------|-----|----|
| Product lines   | A  | B  | B1 | B2 | C1 | D1   | G1   | G2  | H  |
| H200-A          | 48 | 36 | 48 | 60 | 32 | 22,5 | 24,2 | 3,2 | 70 |
| H200-B          | 48 | 50 | 69 | 88 | 32 | 22,5 | 24,2 | 3,2 | 72 |

Modular shaft extensions see page B5-17.

# Base Mounting Switches

# sälzer



**Product lines**  
H200-A/-B

**Base mounting switch**

**Door clutch**

Metal shaft extension  
With shaft retaining bush

**Single hole mounting**

ø 22,5 mm front

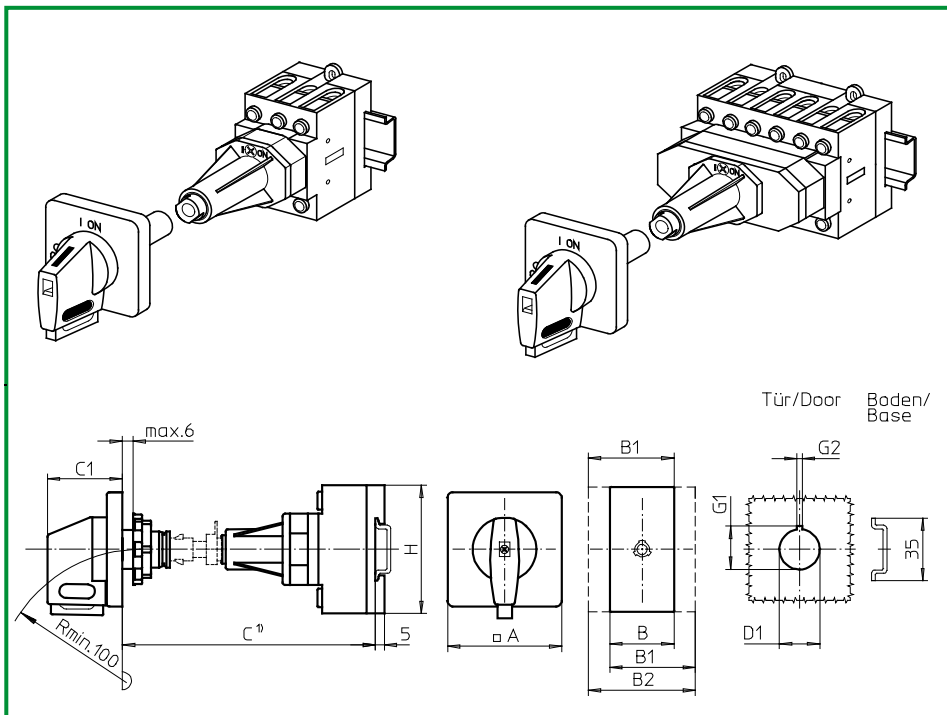
**286M1** (IP66)

**286M4** (IP66)

| Complete switch   | Poles  | Product lines | Rated data (IEC 60947)             |                               |             | Order code number            |           |           |          |
|---|--|---------------|------------------------------------|-------------------------------|-------------|------------------------------|-----------|-----------|----------|
|   |  |               | Operational current I <sub>e</sub> | Operational power at 380–440V |             |                              |           |           |          |
|   |  |               | AC-21A<br>A                        | AC-23A<br>kW                  | AC-3<br>kW  |                              |           |           |          |
| Main Switches<br>OFF position padlockable 09h               | 3 ... 4  | H200-A        | 20                                 | 5,5                           | 3,7         | <b>H216 - 41 ... - 286M1</b> |           |           |          |
|   |  |               | 25                                 | 7,5                           | 5,5         | <b>H220 - 41 ... - 286M1</b> |           |           |          |
|   |  |               | 32                                 | 11                            | 7,5         | <b>H226 - 41 ... - 286M1</b> |           |           |          |
|   |  |               | 40                                 | 15                            | 11          | <b>H233 - 41 ... - 286M1</b> |           |           |          |
|   |  |               | 63                                 | 22                            | 18,5        | <b>H263 - 41 ... - 286M1</b> |           |           |          |
| Main/Emergency-Off Switches<br>OFF position padlockable 09h | 3 ... 4  | H200-A        | 20                                 | 5,5                           | 3,7         | <b>H216 - 41 ... - 286M4</b> |           |           |          |
|   |  |               | 25                                 | 7,5                           | 5,5         | <b>H220 - 41 ... - 286M4</b> |           |           |          |
|   |  |               | 32                                 | 11                            | 7,5         | <b>H226 - 41 ... - 286M4</b> |           |           |          |
|   |  |               | 40                                 | 15                            | 11          | <b>H233 - 41 ... - 286M4</b> |           |           |          |
|   |  |               | 63                                 | 22                            | 18,5        | <b>H263 - 41 ... - 286M4</b> |           |           |          |
| SMD modules for basic switch A02                            | Mounting form module for 286M.   |               | H200-A                             |                               |             | <b>BFA2 - 280</b>            |           |           |          |
|   |  |               | H200-B                             |                               |             | <b>BFB2 - 280</b>            |           |           |          |
|   | M-padlock device 48 x 48 mm, mounting form 286M1<br>Escutcheon black, padlockable handle black |               | H200-A/-B                          |                               | <b>2MM1</b> |                              |           |           |          |
|   | M-padlock device 48 x 48 mm, mounting form 286M4<br>Escutcheon yellow, padlockable handle red  |               |                                    |                               | <b>2MM4</b> |                              |           |           |          |
| <b>Dimensions (mm)</b>                                      |  |               |                                    |                               |             |                              |           |           |          |
| <b>Product lines</b>  | <b>A</b>   | <b>B</b>      | <b>B1</b>                          | <b>B2</b>                     | <b>C1</b>   | <b>D1</b>                    | <b>G1</b> | <b>G2</b> | <b>H</b> |
| H200-A  | 48   | 36            | 48                                 | 60                            | 31          | 22,5                         | 24,2      | 3,2       | 70       |
| H200-B  | 48   | 50            | 69                                 | 88                            | 31          | 22,5                         | 24,2      | 3,2       | 72       |
| <b>Modular shaft extensions see page B5-17.</b>             |  |               |                                    |                               |             |                              |           |           |          |

# Base Mounting Switches

**sälzer**



## Product lines H200-A/-B/-D

**Base mounting switch**  
Operator module of next size

**Door clutch**  
Metal shaft extension  
With shaft retaining bush

**Single hole mounting**  
ø 22,5 mm front

**288V1** (IP66)

**288V4** (IP66)

| Complete switch   | Poles   | Product lines | Rated data (IEC 60947)             |                               |            | Order code number            |
|---|---------|---------------|------------------------------------|-------------------------------|------------|------------------------------|
|   |         |               | Operational current I <sub>e</sub> | Operational power at 380–440V |            |                              |
|   |         |               | AC-21A<br>A                        | AC-23A<br>kW                  | AC-3<br>kW |                              |
| Main Switches<br>OFF position padlockable 09h               | 3 ... 8 | H200-A/-D     | 20                                 | 5,5                           | 3,7        | <b>H216 - 41 ... - 288V1</b> |
|   |         |               | 25                                 | 7,5                           | 5,5        | <b>H220 - 41 ... - 288V1</b> |
|   |         |               | 32                                 | 11                            | 7,5        | <b>H226 - 41 ... - 288V1</b> |
|   |         |               | 40                                 | 15                            | 11         | <b>H233 - 41 ... - 288V1</b> |
|   |         |               | 63                                 | 22                            | 18,5       | <b>H263 - 41 ... - 288V1</b> |
| Main/Emergency-Off Switches<br>OFF position padlockable 09h | 3 ... 8 | H200-A/-D     | 20                                 | 5,5                           | 3,7        | <b>H216 - 41 ... - 288V4</b> |
|   |         |               | 25                                 | 7,5                           | 5,5        | <b>H220 - 41 ... - 288V4</b> |
|   |         |               | 32                                 | 11                            | 7,5        | <b>H226 - 41 ... - 288V4</b> |
|   |         |               | 40                                 | 15                            | 11         | <b>H233 - 41 ... - 288V4</b> |
|   |         |               | 63                                 | 22                            | 18,5       | <b>H263 - 41 ... - 288V4</b> |
|   | 3 ... 4 | H200-B        |                                    |                               |            |                              |

### SMD modules for basic switch A02

Mounting form module for 288V.

H200-A  
H200-B/-D

**BFA2 - 280**  
**BFB2 - 280**

V-operator module 64 × 64 mm, mounting form 288V1  
Escutcheon black, handle black

H200-A/-B/-D

**2NV1 - 09**

Legend plate silver, operator module 288V1

**FAS4 - 9078**

V-operator module 64 × 64 mm, mounting form 288V4  
Escutcheon black, handle red

**2NV4 - 09**

Legend plate yellow, operator module 288V4

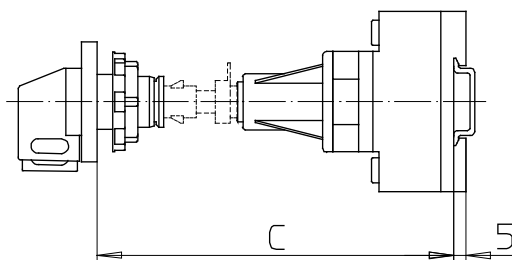
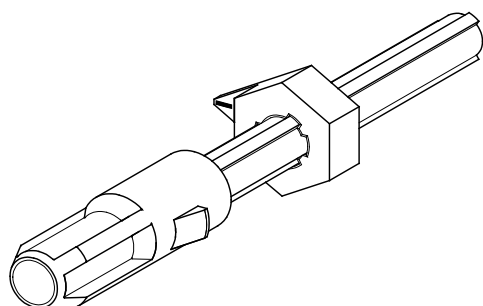
**FBS4 - 9078**

### Dimensions (mm)

| Product lines | A  | B  | B1 | B2 | C1 | D1   | G1   | G2  | H  |
|---------------|----|----|----|----|----|------|------|-----|----|
| H200-A        | 64 | 36 | 48 | 60 | 39 | 22,5 | 24,2 | 3,2 | 70 |
| H200-B        | 64 | 50 | 69 | 88 | 39 | 22,5 | 24,2 | 3,2 | 72 |
| H200-D        | 64 | 72 | 84 | 96 | 39 | 22,5 | 24,2 | 3,2 | 70 |

Modular shaft extensions see page B5-17.

# Metal shaft extension



**Product lines**  
H200-A/-B/-D/-E

**Base mounting**  
switch

**Door clutch**  
Metal shaft extension

**Single hole mounting**  
ø 22,5 mm front

**AVA8 - ...**

Metal shaft extension for mounting forms with **door clutch** and single hole mounting ø 22,5 mm front  
Dimension C (internal depth, outside of door to top of DIN rail)

| Mounting forms with shaft retaining screw |                | Order code number | Mounting forms with shaft retaining bush |                | Order code number |
|---|----------------|-------------------|--|----------------|-------------------|
| H200-A /-B                                | H200-D/-E      |                   | H200-A /-B                               | H200-D/-E      |                   |
| 137 ... 148 mm                            | 145 ... 156 mm | <b>AVA8 - 053</b> | 155 ... 173 mm                           | 163 ... 181 mm | <b>AVA8 - 065</b> |
| 149 ... 161 mm                            | 157 ... 169 mm | <b>AVA8 - 065</b> | 174 ... 198 mm                           | 182 ... 206 mm | <b>AVA8 - 090</b> |
| 162 ... 173 mm                            | 170 ... 181 mm | <b>AVA8 - 078</b> | 199 ... 223 mm                           | 207 ... 231 mm | <b>AVA8 - 115</b> |
| 174 ... 186 mm                            | 182 ... 194 mm | <b>AVA8 - 090</b> | 224 ... 248 mm                           | 232 ... 256 mm | <b>AVA8 - 140</b> |
| 187 ... 198 mm                            | 195 ... 206 mm | <b>AVA8 - 103</b> | 249 ... 273 mm                           | 257 ... 281 mm | <b>AVA8 - 165</b> |
| 199 ... 211 mm                            | 207 ... 219 mm | <b>AVA8 - 115</b> | 274 ... 298 mm                           | 282 ... 306 mm | <b>AVA8 - 190</b> |
| 212 ... 223 mm                            | 220 ... 231 mm | <b>AVA8 - 128</b> | 299 ... 323 mm                           | 307 ... 331 mm | <b>AVA8 - 215</b> |
| 224 ... 236 mm                            | 232 ... 244 mm | <b>AVA8 - 140</b> | 324 ... 348 mm                           | 332 ... 356 mm | <b>AVA8 - 240</b> |
| 237 ... 248 mm                            | 245 ... 256 mm | <b>AVA8 - 153</b> | 349 ... 373 mm                           | 357 ... 381 mm | <b>AVA8 - 265</b> |
| 249 ... 261 mm                            | 257 ... 269 mm | <b>AVA8 - 165</b> | 374 ... 398 mm                           | 382 ... 406 mm | <b>AVA8 - 290</b> |
| 262 ... 273 mm                            | 270 ... 281 mm | <b>AVA8 - 178</b> | 399 ... 423 mm                           | 407 ... 431 mm | <b>AVA8 - 315</b> |
| 274 ... 286 mm                            | 282 ... 294 mm | <b>AVA8 - 190</b> | 424 ... 448 mm                           | 432 ... 456 mm | <b>AVA8 - 340</b> |
| 287 ... 298 mm                            | 295 ... 306 mm | <b>AVA8 - 203</b> | 449 ... 473 mm                           | 457 ... 481 mm | <b>AVA8 - 365</b> |
| 299 ... 311 mm                            | 307 ... 319 mm | <b>AVA8 - 215</b> | 474 ... 498 mm                           | 482 ... 506 mm | <b>AVA8 - 390</b> |
| 312 ... 323 mm                            | 320 ... 331 mm | <b>AVA8 - 228</b> | 499 ... 523 mm                           | 507 ... 531 mm | <b>AVA8 - 415</b> |
| 324 ... 336 mm                            | 332 ... 344 mm | <b>AVA8 - 240</b> | 524 ... 548 mm                           | 532 ... 556 mm | <b>AVA8 - 440</b> |
| 337 ... 348 mm                            | 345 ... 356 mm | <b>AVA8 - 253</b> | 549 ... 573 mm                           | 557 ... 581 mm | <b>AVA8 - 465</b> |
| 349 ... 361 mm                            | 357 ... 369 mm | <b>AVA8 - 265</b> | 574 ... 598 mm                           | 582 ... 606 mm | <b>AVA8 - 490</b> |
| 362 ... 373 mm                            | 370 ... 381 mm | <b>AVA8 - 278</b> | 599 ... 623 mm                           | 607 ... 631 mm | <b>AVA8 - 515</b> |
| 374 ... 386 mm                            | 382 ... 394 mm | <b>AVA8 - 290</b> | 624 ... 643 mm                           | 632 ... 656 mm | <b>AVA8 - 540</b> |
| 387 ... 398 mm                            | 395 ... 404 mm | <b>AVA8 - 303</b> |  |                |                   |

# Base Mounting Switches

# sälzer

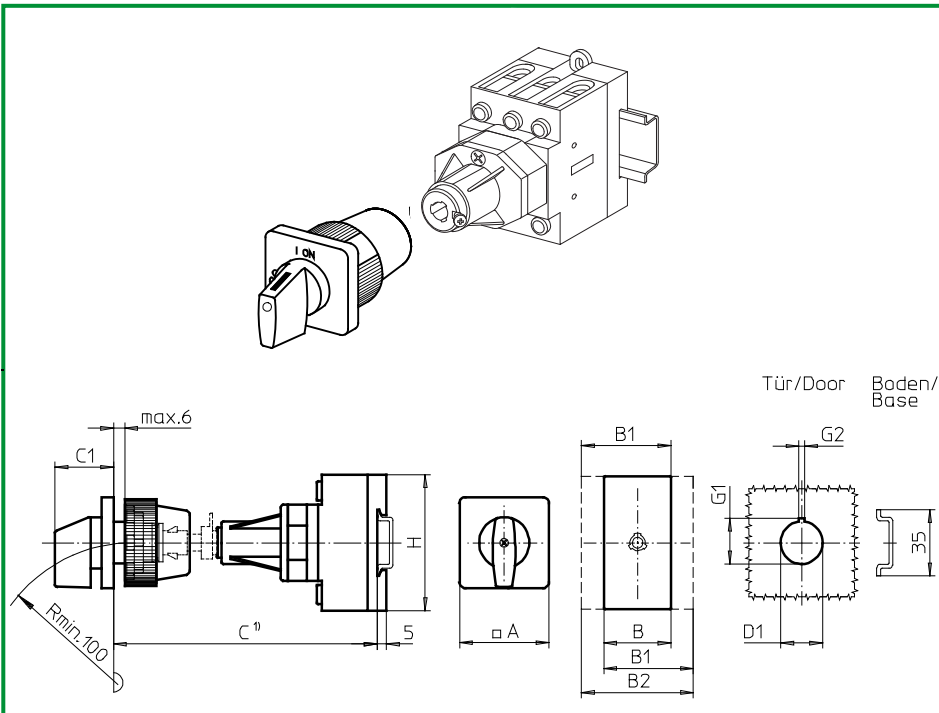
**Product lines**  
**H200-A/-B**

**Base mounting switch**

**Door interlock**  
Metal shaft extension  
With shaft retaining screw

**Single hole mounting**  
ø 22,5 mm front

**263M1 (IP66)**



| Complete switch                        | Poles   | Product lines | Rated data (IEC 60947)             |                               |            | Order code number            |
|--|---------|---------------|------------------------------------|-------------------------------|------------|------------------------------|
|  |         |               | Operational current I <sub>e</sub> | Operational power at 380–440V |            |                              |
|  |         |               | AC-21A<br>A                        | AC-23A<br>kW                  | AC-3<br>kW |                              |
| ON-OFF Switches<br>Switching angle 90° | 3 ... 4 | H200-A        | 20                                 | 5,5                           | 3,7        | <b>H216 - 41 ... - 263M1</b> |
|  |         |               | 25                                 | 7,5                           | 5,5        | <b>H220 - 41 ... - 263M1</b> |
|  |         |               | 32                                 | 11                            | 7,5        | <b>H226 - 41 ... - 263M1</b> |
|  |         |               | 40                                 | 15                            | 11         | <b>H233 - 41 ... - 263M1</b> |
|  |         |               | 63                                 | 22                            | 18,5       | <b>H263 - 41 ... - 263M1</b> |
|  | 3 ... 4 | H200-B        |                                    |                               |            |                              |

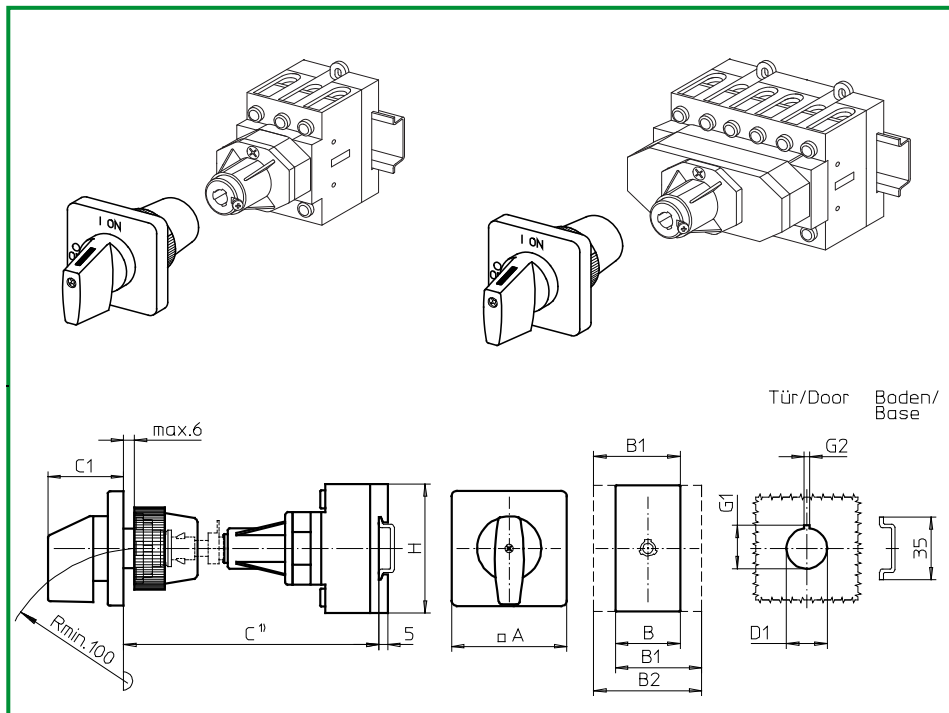
| SMD modules for basic switch A02  |                  |  |
|---|------------------|--|
| Mounting form module for 263M1  | H200-A<br>H200-B | <b>BFA2 - 261</b><br><b>BFB2 - 261</b> |
| M-operator module 48 x 48 mm, mounting form 263M1<br>Escutcheon black, handle black | H200-A/-B        | <b>2LM1</b>                            |
| Legend plate silver, operator module 263M1  |                  | <b>FAS2 - 9...</b> (FA number)         |

| Dimensions (mm) |    |    |    |    |    |      |      |     |    |
|-----------------|----|----|----|----|----|------|------|-----|----|
| Product lines   | A  | B  | B1 | B2 | C1 | D1   | G1   | G2  | H  |
| H200-A          | 48 | 36 | 48 | 60 | 32 | 22,5 | 24,2 | 3,2 | 70 |
| H200-B          | 48 | 50 | 69 | 88 | 32 | 22,5 | 24,2 | 3,2 | 72 |

**C<sup>1)</sup> Internal depth, outside of door to top of DIN rail. Metal shaft is not included. Please order separately. See page B6-17.**

# Base Mounting Switches

# sälzer



**Product lines**  
H200-A/-B/-D/-E

**Base mounting switch**  
Operator module of next size

**Door interlock**  
Metal shaft extension  
With shaft retaining screw

**Single hole mounting**  
ø 22,5 mm front

**265M1 (IP66)**

| Complete switch                            | Poles   | Product lines | Rated data (IEC 60947)             |                               |            | Order code number            |
|--|---------|---------------|------------------------------------|-------------------------------|------------|------------------------------|
|  |         |               | Operational current I <sub>e</sub> | Operational power at 380–440V |            |                              |
|  |         |               | AC-21A<br>A                        | AC-23A<br>kW                  | AC-3<br>kW |                              |
| ON-OFF Switches<br>Switching angle 90°     | 3 ... 8 | H200-A/-D     | 20                                 | 5,5                           | 3,7        | <b>H216 - 41 ... - 265M1</b> |
|  |         |               | 25                                 | 7,5                           | 5,5        | <b>H220 - 41 ... - 265M1</b> |
|  |         |               | 32                                 | 11                            | 7,5        | <b>H226 - 41 ... - 265M1</b> |
|  |         |               | 40                                 | 15                            | 11         | <b>H233 - 41 ... - 265M1</b> |
|  |         |               | 63                                 | 22                            | 18,5       | <b>H263 - 41 ... - 265M1</b> |
| Changeover with OFF<br>Switching angle 90° | 3 ... 4 | H200-E        | 20                                 | 5,5                           | 3,7        | <b>H216 - 71 ... - 265M1</b> |
|  |         |               | 25                                 | 7,5                           | 5,5        | <b>H220 - 71 ... - 265M1</b> |
|  |         |               | 32                                 | 11                            | 7,5        | <b>H226 - 71 ... - 265M1</b> |
|  |         |               | 40                                 | 15                            | 11         | <b>H233 - 71 ... - 265M1</b> |

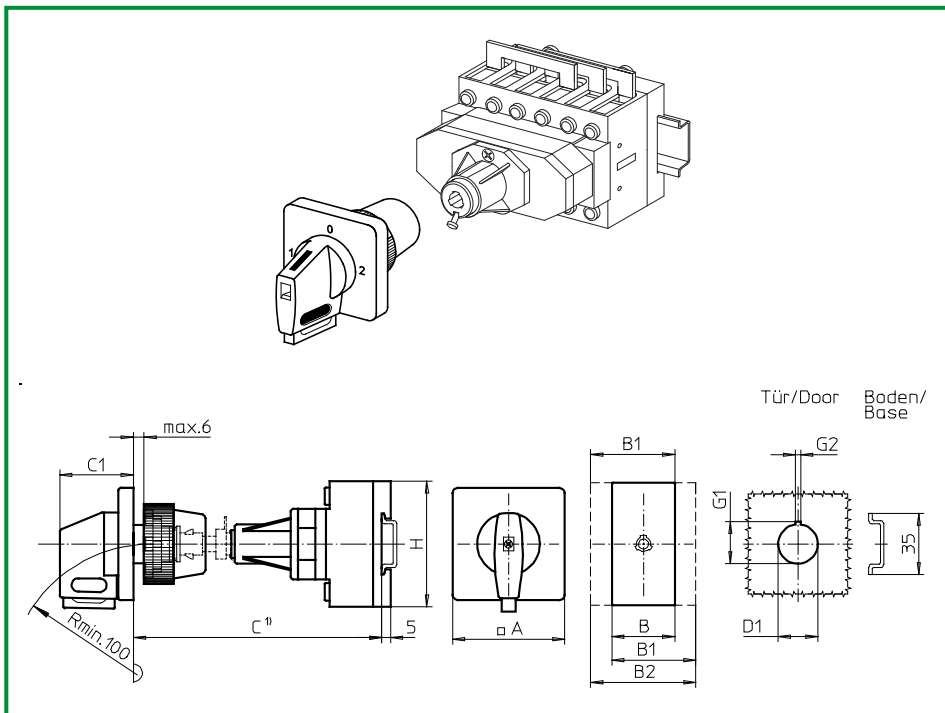
| SMD modules for basic switch A02  |                               |   |
|---|-------------------------------|---|
| Mounting form module for 265M1  | H200-A<br>H200-B/-D<br>H200-E | <b>BFA2 - 261</b><br><b>BFB2 - 261</b><br><b>BFC2 - 261</b> |
| M-operator module 64 × 64 mm, mounting form 265M1<br>Escutcheon black, handle black | H200-A/-B/-D<br>H200-E        | <b>2NM1</b><br><b>2IM1</b>                                  |
| Legend plate silver, operator module 265M1  |                               | <b>FAS4 - 9...</b> (FA number)                              |

| Dimensions (mm) |    |    |    |    |    |      |      |     |    |
|-----------------|----|----|----|----|----|------|------|-----|----|
| Product lines   | A  | B  | B1 | B2 | C1 | D1   | G1   | G2  | H  |
| H200-A          | 64 | 36 | 48 | 60 | 39 | 22,5 | 24,2 | 3,2 | 70 |
| H200-B          | 64 | 50 | 69 | 88 | 39 | 22,5 | 24,2 | 3,2 | 72 |
| H200-D          | 64 | 72 | 84 | 96 | 39 | 22,5 | 24,2 | 3,2 | 70 |
| H200-E          | 64 | 72 | 84 | 96 | 39 | 22,5 | 24,2 | 3,2 | 70 |

C<sup>1)</sup> Internal depth, outside of door to top of DIN rail. Metal shaft is not included. Please order separately. See page B6-17.

# Base Mounting Switches

# sälzer



**Product line**  
**H200-E**

**Base mounting switch**  
Operator module of next size

**Door interlock**  
Metal shaft extension  
With shaft retaining screw

**Single hole mounting**  
ø 22,5 mm front

**265V1** (IP66)

**271V1** (IP66)

| Complete switch  | Poles   | Product lines | Rated data (IEC 60947)             |                               |            | Order code number            |
|--|---------|---------------|------------------------------------|-------------------------------|------------|------------------------------|
|  |         |               | Operational current I <sub>e</sub> | Operational power at 380–440V |            |                              |
|  |         |               | AC-21A<br>A                        | AC-23A<br>kW                  | AC-3<br>kW |                              |
| Changeover with OFF<br>Switching angle 90°<br>OFF position padlockable 12h             | 3 ... 4 | H200-E        | 20                                 | 5,5                           | 3,7        | <b>H216 - 71 ... - 265V1</b> |
|  |         |               | 25                                 | 7,5                           | 5,5        | <b>H220 - 71 ... - 265V1</b> |
|  |         |               | 32                                 | 11                            | 7,5        | <b>H226 - 71 ... - 265V1</b> |
|  |         |               | 40                                 | 15                            | 11         | <b>H233 - 11 ... - 265V1</b> |
| Changeover with OFF<br>Switching angle 90°<br>3 positions padlockable<br>(09h/12h/03h) | 3 ... 4 | H200-E        | 20                                 | 5,5                           | 3,7        | <b>H216 - 71 ... - 271V1</b> |
|  |         |               | 25                                 | 7,5                           | 5,5        | <b>H220 - 71 ... - 271V1</b> |
|  |         |               | 32                                 | 11                            | 7,5        | <b>H226 - 71 ... - 271V1</b> |
|  |         |               | 40                                 | 15                            | 11         | <b>H233 - 71 ... - 271V1</b> |

| SMD modules for basic switch A02  |        |                                |
|---|--------|--------------------------------|
| Mounting form module for 265V1/271V1  | H200-E | <b>BFC2 - 261</b>              |
| V-operator module 64 × 64 mm, mounting form 265V1<br>Escutcheon black, handle black |        | <b>2IV1 - 12</b>               |
| V-operator module 64 × 64 mm, mounting form 271V1<br>Escutcheon black, handle black |        | <b>2IV1 - 99</b>               |
| Legend plate silver, operator modules 265V1/271V1                                   |        | <b>FAS4 - 9...</b> (FA number) |

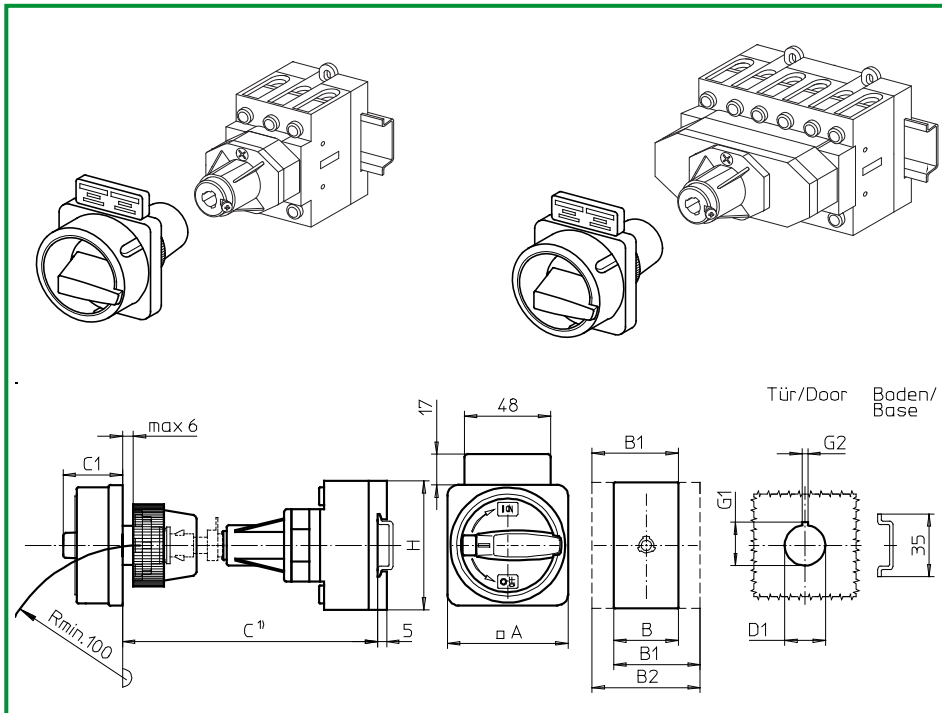
| Dimensions (mm) |    |    |    |    |    |      |      |     |    |
|-----------------|----|----|----|----|----|------|------|-----|----|
| Product line    | A  | B  | B1 | B2 | C1 | D1   | G1   | G2  | H  |
| H200-E          | 64 | 72 | 84 | 96 | 39 | 22,5 | 24,2 | 3,2 | 70 |

C<sup>1</sup>) Internal depth, outside of door to top of DIN rail. Metal shaft is not included. Please order separately. See page B6-17.



# Base Mounting Switches

**sälzer**



**Product lines  
H200-A/-B/-D**

**Base mounting switch**

**Door interlock**  
Metal shaft extension  
With shaft retaining screw

**Single hole mounting**  
ø 22,5 mm front

**261M1** (IP66)

**261M4** (IP66)

| Complete switch   | Poles   | Product lines | Rated data (IEC 60947)             |                               |            | Order code number            |
|---|---------|---------------|------------------------------------|-------------------------------|------------|------------------------------|
|   |         |               | Operational current I <sub>e</sub> | Operational power at 380–440V |            |                              |
|   |         |               | AC-21A<br>A                        | AC-23A<br>kW                  | AC-3<br>kW |                              |
| Main Switches<br>OFF position padlockable 09h               | 3 ... 8 | H200-A/-D     | 20                                 | 5,5                           | 3,7        | <b>H216 - 41 ... - 261M1</b> |
|   |         |               | 25                                 | 7,5                           | 5,5        | <b>H220 - 41 ... - 261M1</b> |
|   |         |               | 32                                 | 11                            | 7,5        | <b>H226 - 41 ... - 261M1</b> |
|   |         |               | 40                                 | 15                            | 11         | <b>H233 - 41 ... - 261M1</b> |
|   |         |               | 63                                 | 22                            | 18,5       | <b>H263 - 41 ... - 261M1</b> |
| Main/Emergency-Off Switches<br>OFF position padlockable 09h | 3 ... 8 | H200-A/-D     | 20                                 | 5,5                           | 3,7        | <b>H216 - 41 ... - 261M4</b> |
|   |         |               | 25                                 | 7,5                           | 5,5        | <b>H220 - 41 ... - 261M4</b> |
|   |         |               | 32                                 | 11                            | 7,5        | <b>H226 - 41 ... - 261M4</b> |
|   |         |               | 40                                 | 15                            | 11         | <b>H233 - 41 ... - 261M4</b> |
|   |         |               | 63                                 | 22                            | 18,5       | <b>H263 - 41 ... - 261M4</b> |
|   | 3 ... 4 | H200-B        |                                    |                               |            |                              |

| SMD modules for basic switch A02   |  |                     |  |
|--|--|---------------------|--|
| Mounting form module for 261M.   |  | H200-A<br>H200-B/-D | <b>BFA2 - 261</b><br><b>BFB2 - 261</b> |
| M-padlock device 67 × 67 mm, mounting form 261M1<br>Escutcheon black, padlockable handle black |  | H200-A/-B/-D        | <b>2GM1</b>                            |
| M-padlock device 67 × 67 mm, mounting form 261M4<br>Escutcheon yellow, padlockable handle red  |  |                     | <b>2GM4</b>                            |
| Additional top escutcheon plate  |  |                     | <b>FAZ2 - 8041</b>                     |

| Dimensions (mm) |    |    |    |    |    |      |      |     |    |
|-----------------|----|----|----|----|----|------|------|-----|----|
| Product lines   | A  | B  | B1 | B2 | C1 | D1   | G1   | G2  | H  |
| H200-A          | 67 | 36 | 48 | 60 | 38 | 22,5 | 24,2 | 3,2 | 70 |
| H200-B          | 67 | 50 | 69 | 88 | 38 | 22,5 | 24,2 | 3,2 | 72 |
| H200-D          | 67 | 72 | 84 | 96 | 38 | 22,5 | 24,2 | 3,2 | 70 |

C<sup>1</sup>) Internal depth, outside of door to top of DIN rail. Metal shaft is not included. Please order separately. See page B6-17.

# Base Mounting Switches

# sälzer

**Product lines**  
**H200-A/-B/-D**

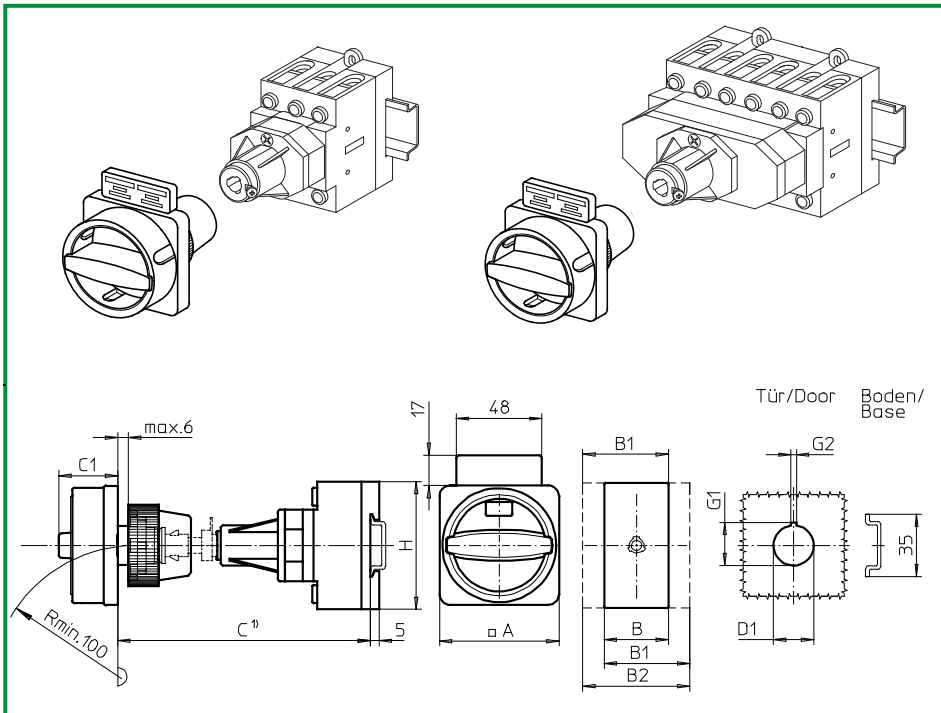
**Base mounting switch**

**Door interlock**  
Metal shaft extension  
With shaft retaining screw

**Single hole mounting**  
ø 22,5 mm front

**261N1** (IP66)

**261N4** (IP66)



| Complete switch   | Poles   | Product lines | Rated data (IEC 60947)             |                               |            | Order code number            |
|---|---------|---------------|------------------------------------|-------------------------------|------------|------------------------------|
|   |         |               | Operational current I <sub>e</sub> | Operational power at 380–440V |            |                              |
|   |         |               | AC-21A<br>A                        | AC-23A<br>kW                  | AC-3<br>kW |                              |
| Main Switches<br>OFF position padlockable 12h               | 3 ... 8 | H200-A/-D     | 20                                 | 5,5                           | 3,7        | <b>H216 - 41 ... - 261N1</b> |
|   |         |               | 25                                 | 7,5                           | 5,5        | <b>H220 - 41 ... - 261N1</b> |
|   |         |               | 32                                 | 11                            | 7,5        | <b>H226 - 41 ... - 261N1</b> |
|   |         |               | 40                                 | 15                            | 11         | <b>H233 - 41 ... - 261N1</b> |
|   |         |               | 63                                 | 22                            | 18,5       | <b>H263 - 41 ... - 261N1</b> |
| Main/Emergency-Off Switches<br>OFF position padlockable 12h | 3 ... 8 | H200-A/-D     | 20                                 | 5,5                           | 3,7        | <b>H216 - 41 ... - 261N4</b> |
|   |         |               | 25                                 | 7,5                           | 5,5        | <b>H220 - 41 ... - 261N4</b> |
|   |         |               | 32                                 | 11                            | 7,5        | <b>H226 - 41 ... - 261N4</b> |
|   |         |               | 40                                 | 15                            | 11         | <b>H233 - 41 ... - 261N4</b> |
|   |         |               | 63                                 | 22                            | 18,5       | <b>H263 - 41 ... - 261N4</b> |
|   | 3 ... 4 | H200-B        |                                    |                               |            |                              |

## SMD modules for basic switch A02

Mounting form module for 261N.

H200-A  
H200-B/-D

**BFA2 - 261**  
**BFB2 - 261**

N-padlock device 67 × 67 mm, mounting form 261N1  
Escutcheon black, padlockable handle black

H200-A/-B/-D

**2GN1**

N-padlock device 67 × 67 mm, mounting form 261N4  
Escutcheon yellow, padlockable handle red

**2GN4**

Additional top escutcheon plate

**FAZZ - 8041**

## Dimensions (mm)

| Product lines | A  | B  | B1 | B2 | C1 | D1   | G1   | G2  | H  |
|---------------|----|----|----|----|----|------|------|-----|----|
| H200-A        | 67 | 36 | 48 | 60 | 33 | 22,5 | 24,2 | 3,2 | 70 |
| H200-B        | 67 | 50 | 69 | 88 | 33 | 22,5 | 24,2 | 3,2 | 72 |
| H200-D        | 67 | 72 | 84 | 96 | 33 | 22,5 | 24,2 | 3,2 | 70 |

C<sup>1)</sup> Internal depth, outside of door to top of DIN rail. Metal shaft is not included. Please order separately. See page B6-17.

# Base Mounting Switches

# sälzer

**Product lines**  
**H200-A/-B**

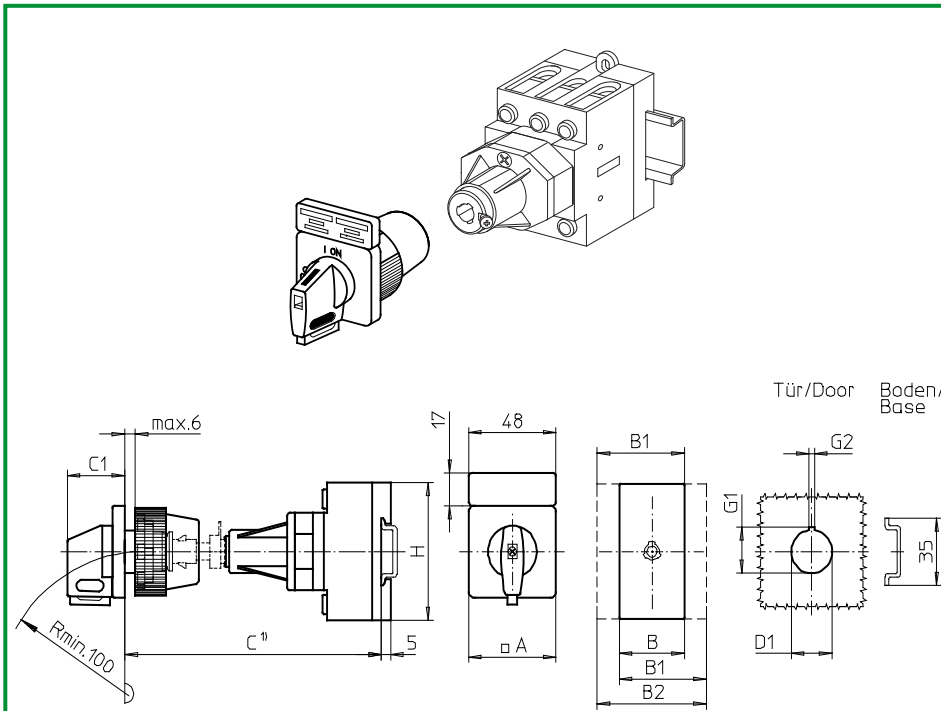
**Base mounting switch**

**Door interlock**  
Metal shaft extension  
With shaft retaining screw

**Single hole mounting**  
ø 22,5 mm front

**261V1 (IP66)**

**261V4 (IP66)**



| Complete switch  | Poles   | Product lines | Rated data (IEC 60947)             |                               |            | Order code number            |
|--|---|---------------|------------------------------------|-------------------------------|------------|------------------------------|
|  |   |               | Operational current I <sub>e</sub> | Operational power at 380–440V |            |                              |
|  |   |               | AC-21A<br>A                        | AC-23A<br>kW                  | AC-3<br>kW |                              |
| Main Switches<br>OFF position padlockable 09h                      | 3 ... 4   | H200-A        | 20                                 | 5,5                           | 3,7        | <b>H216 - 41 ... - 261V1</b> |
|  |   |               | 25                                 | 7,5                           | 5,5        | <b>H220 - 41 ... - 261V1</b> |
|  |   |               | 32                                 | 11                            | 7,5        | <b>H226 - 41 ... - 261V1</b> |
|  |   |               | 40                                 | 15                            | 11         | <b>H233 - 41 ... - 261V1</b> |
|  |   |               | 63                                 | 22                            | 18,5       | <b>H263 - 41 ... - 261V1</b> |
| Main/Emergency-Off Switches<br>OFF position padlockable 09h        | 3 ... 4   | H200-A        | 20                                 | 5,5                           | 3,7        | <b>H216 - 41 ... - 261V4</b> |
|  |   |               | 25                                 | 7,5                           | 5,5        | <b>H220 - 41 ... - 261V4</b> |
|  |   |               | 32                                 | 11                            | 7,5        | <b>H226 - 41 ... - 261V4</b> |
|  |   |               | 40                                 | 15                            | 11         | <b>H233 - 41 ... - 261V4</b> |
|  |   |               | 63                                 | 22                            | 18,5       | <b>H263 - 41 ... - 261V4</b> |
| SMD modules for basic switch A02<br>Mounting form module for 261V. |   |               | H200-A                             |                               |            | <b>BFA2 - 261</b>            |
|  |   |               | H200-B                             |                               |            | <b>BFB2 - 261</b>            |
|  | V-operator module 48 × 48 mm, mounting form 261V1<br>Escutcheon black, handle black<br>Legend plate silver, operator module 261V1 |               | H200-A/-B                          |                               |            | <b>2LV1 - 09</b>             |
|  | V-operator module 48 × 48 mm, mounting form 261V4<br>Escutcheon black, handle red<br>Legend plate yellow, operator module 261V4   |               |                                    |                               |            | <b>FAS2 - 9078</b>           |
|  | Additional top escutcheon plate   |               |                                    |                               |            | <b>2LV4 - 09</b>             |
|  |   |               |                                    |                               |            | <b>FBS2 - 9078</b>           |
|  |   |               |                                    |                               |            | <b>FAZ2 - 8041</b>           |

| Dimensions (mm) |    |    |    |    |    |      |      |     |    |
|-----------------|----|----|----|----|----|------|------|-----|----|
| Product lines   | A  | B  | B1 | B2 | C1 | D1   | G1   | G2  | H  |
| H200-A          | 48 | 36 | 48 | 60 | 32 | 22,5 | 24,2 | 3,2 | 70 |
| H200-B          | 48 | 50 | 69 | 88 | 32 | 22,5 | 24,2 | 3,2 | 72 |

C<sup>1</sup>) Internal depth, outside of door to top of DIN rail. Metal shaft is not included. Please order separately. See page B6-17.



# Base Mounting Switches

# sälzer

**Product lines**  
H200-A/-B/-D

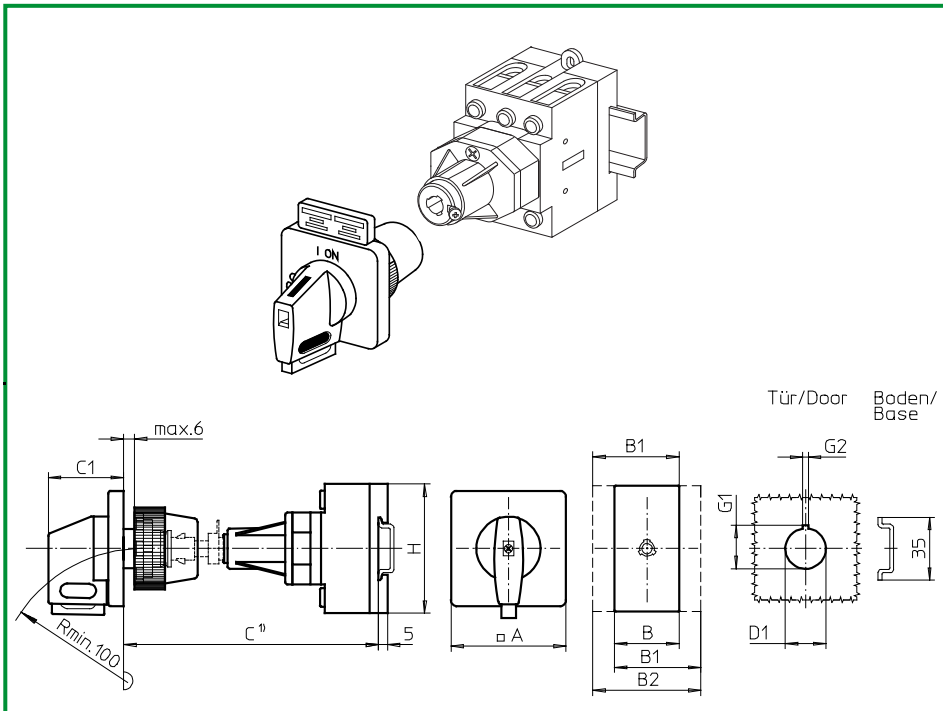
**Base mounting switch**  
Operator module of next size

**Door interlock**  
Metal shaft extension  
With shaft retaining screw

**Single hole mounting**  
ø 22,5 mm front

**269V1** (IP66)

**269V4** (IP66)



| Complete switch   | Poles   | Product lines | Rated data (IEC 60947)             |                               |            | Order code number            |
|---|---------|---------------|------------------------------------|-------------------------------|------------|------------------------------|
|   |         |               | Operational current I <sub>e</sub> | Operational power at 380–440V |            |                              |
|   |         |               | AC-21A<br>A                        | AC-23A<br>kW                  | AC-3<br>kW |                              |
| Main Switches<br>OFF position padlockable 09h               | 3 ... 8 | H200-A/-D     | 20                                 | 5,5                           | 3,7        | <b>H216 - 41 ... - 269V1</b> |
|   |         |               | 25                                 | 7,5                           | 5,5        | <b>H220 - 41 ... - 269V1</b> |
|   |         |               | 32                                 | 11                            | 7,5        | <b>H226 - 41 ... - 269V1</b> |
|   |         |               | 40                                 | 15                            | 11         | <b>H233 - 41 ... - 269V1</b> |
|   |         |               | 63                                 | 22                            | 18,5       | <b>H263 - 41 ... - 269V1</b> |
| Main/Emergency-Off Switches<br>OFF position padlockable 09h | 3 ... 8 | H200-A/-D     | 20                                 | 5,5                           | 3,7        | <b>H216 - 41 ... - 269V4</b> |
|   |         |               | 25                                 | 7,5                           | 5,5        | <b>H220 - 41 ... - 269V4</b> |
|   |         |               | 32                                 | 11                            | 7,5        | <b>H226 - 41 ... - 269V4</b> |
|   |         |               | 40                                 | 15                            | 11         | <b>H233 - 41 ... - 269V4</b> |
|   |         |               | 63                                 | 22                            | 18,5       | <b>H263 - 41 ... - 269V4</b> |
|   | 3 ... 4 | H200-B        |                                    |                               |            |                              |

| SMD modules for basic switch A02  |  |                     |  |
|---|--|---------------------|--|
| Mounting form module for 269V.  |  | H200-A<br>H200-B/-D | <b>BFA2 - 261</b><br><b>BFB2 - 261</b> |
| V-operator module 64 × 64 mm, mounting form 269V1<br>Escutcheon black, handle black |  | H200-A/-B/-D        | <b>2NV1 - 09</b>                       |
| Legend plate silver, operator module 269V1  |  |                     | <b>FAS4 - 9078</b>                     |
| V-operator module 64 × 64 mm, mounting form 269V4<br>Escutcheon black, handle red   |  |                     | <b>2NV4 - 09</b>                       |
| Legend plate yellow, operator module 269V4  |  |                     | <b>FBS4 - 9078</b>                     |
| Additional top escutcheon plate   |  |                     | <b>FAZ2 - 8041</b>                     |

| Dimensions (mm) |    |    |    |    |    |      |      |     |    |
|-----------------|----|----|----|----|----|------|------|-----|----|
| Product lines   | A  | B  | B1 | B2 | C1 | D1   | G1   | G2  | H  |
| H200-A          | 64 | 36 | 48 | 60 | 39 | 22,5 | 24,2 | 3,2 | 70 |
| H200-B          | 64 | 50 | 69 | 88 | 39 | 22,5 | 24,2 | 3,2 | 72 |
| H200-D          | 64 | 72 | 84 | 96 | 39 | 22,5 | 24,2 | 3,2 | 70 |

C<sup>1)</sup> Internal depth, outside of door to top of DIN rail. Metal shaft is not included. Please order separately. See page B6-17.

# Base Mounting Switches

# sälzer

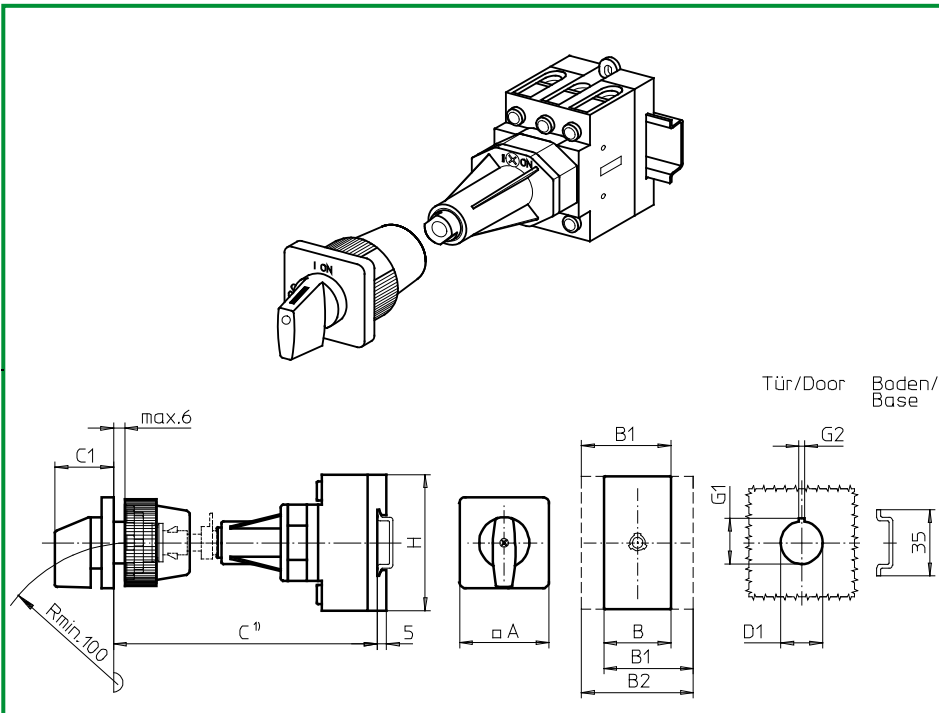
**Product lines**  
**H200-A/-B**

**Base mounting switch**

**Door interlock**  
Metal shaft extension  
With shaft retaining bush

**Single hole mounting**  
ø 22,5 mm front

**283M1 (IP66)**



| Complete switch                        | Poles   | Product lines | Rated data (IEC 60947)             |                               |            | Order code number            |
|--|---------|---------------|------------------------------------|-------------------------------|------------|------------------------------|
|  |         |               | Operational current I <sub>e</sub> | Operational power at 380–440V |            |                              |
|  |         |               | AC-21A<br>A                        | AC-23A<br>kW                  | AC-3<br>kW |                              |
| ON-OFF Switches<br>Switching angle 90° | 3 ... 4 | H200-A        | 20                                 | 5,5                           | 3,7        | <b>H216 - 41 ... - 283M1</b> |
|  |         |               | 25                                 | 7,5                           | 5,5        | <b>H220 - 41 ... - 283M1</b> |
|  |         |               | 32                                 | 11                            | 7,5        | <b>H226 - 41 ... - 283M1</b> |
|  |         |               | 40                                 | 15                            | 11         | <b>H233 - 41 ... - 283M1</b> |
|  |         |               | 63                                 | 22                            | 18,5       | <b>H263 - 41 ... - 283M1</b> |
|  | 3 ... 4 | H200-B        |                                    |                               |            |                              |

## SMD modules for basic switch A02

Mounting form module for 283M1

H200-A  
H200-B

**BFA2 - 281**  
**BFB2 - 281**

M-operator module 48 x 48 mm, mounting form 283M1  
Escutcheon black, handle black

H200-A/-B

**2LM1**

Legend plate silver, operator module 283M1

**FAS2 - 9...** (FA number)

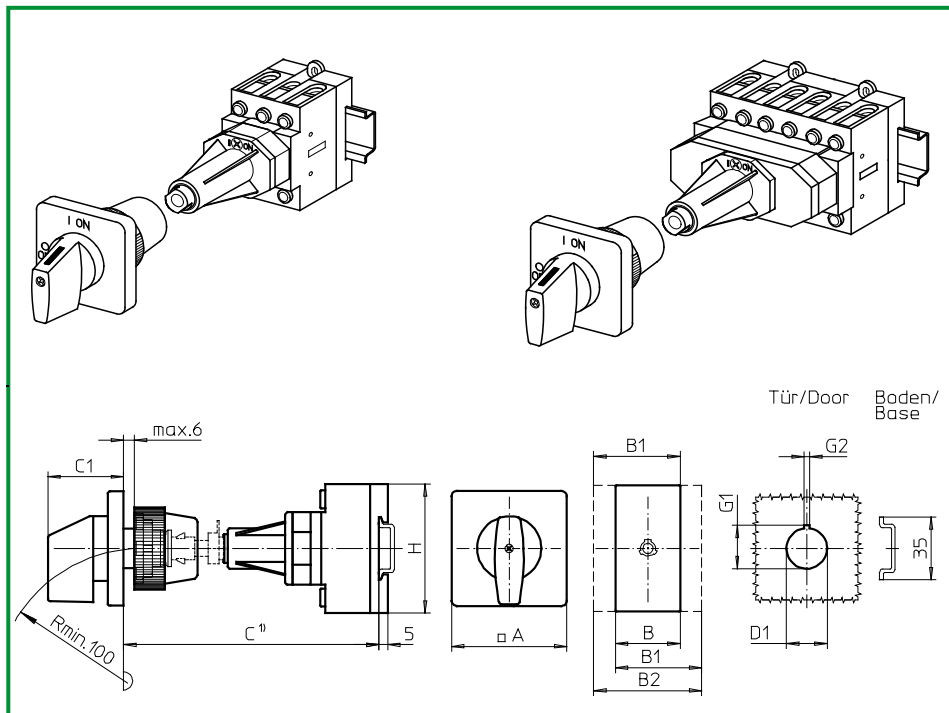
## Dimensions (mm)

| Product lines | A  | B  | B1 | B2 | C1 | D1   | G1   | G2  | H  |
|---------------|----|----|----|----|----|------|------|-----|----|
| H200-A        | 48 | 36 | 48 | 60 | 32 | 22,5 | 24,2 | 3,2 | 70 |
| H200-B        | 48 | 50 | 69 | 88 | 32 | 22,5 | 24,2 | 3,2 | 72 |

C<sup>1)</sup> Internal depth, outside of door to top of DIN rail. Metal shaft is not included. Please order separately. See page B6-17.

# Base Mounting Switches

# sälzer



**Product lines**  
H200-A/-B/-D/-E

**Base mounting switch**  
Operator module of next size

**Door interlock**  
Metal shaft extension  
With shaft retaining bush

**Single hole mounting**  
ø 22,5 mm front

**285M1** (IP66)

| Complete switch                            | Poles   | Product lines | Rated data (IEC 60947)             |                               |            | Order code number            |
|--|---------|---------------|------------------------------------|-------------------------------|------------|------------------------------|
|  |         |               | Operational current I <sub>e</sub> | Operational power at 380–440V |            |                              |
|  |         |               | AC-21A<br>A                        | AC-23A<br>kW                  | AC-3<br>kW |                              |
| ON-OFF Switches<br>Switching angle 90°     | 3 ... 8 | H200-A/-D     | 20                                 | 5,5                           | 3,7        | <b>H216 - 41 ... - 285M1</b> |
|  |         |               | 25                                 | 7,5                           | 5,5        | <b>H220 - 41 ... - 285M1</b> |
|  |         |               | 32                                 | 11                            | 7,5        | <b>H226 - 41 ... - 285M1</b> |
|  |         |               | 40                                 | 15                            | 11         | <b>H233 - 41 ... - 285M1</b> |
|  | 3 ... 4 | H200-B        | 63                                 | 22                            | 18,5       | <b>H263 - 41 ... - 285M1</b> |
| Changeover with OFF<br>Switching angle 90° | 3 ... 4 | H200-E        | 20                                 | 5,5                           | 3,7        | <b>H216 - 71 ... - 285M1</b> |
|  |         |               | 25                                 | 7,5                           | 5,5        | <b>H220 - 71 ... - 285M1</b> |
|  |         |               | 32                                 | 11                            | 7,5        | <b>H226 - 71 ... - 285M1</b> |
|  |         |               | 40                                 | 15                            | 11         | <b>H233 - 71 ... - 285M1</b> |

## SMD modules for basic switch A02

Mounting form module for 285M1

H200-A  
H200-B/-D  
H200-E

**BFA2 - 281**  
**BFB2 - 281**  
**BFC2 - 281**

M-operator module 64 × 64 mm, mounting form 285M1  
Escutcheon black, handle black

H200-A/-B/-D  
H200-E

**2NM1**  
**2IM1**

Legend plate silver, operator module 285M1

**FAS4 - 9...** (FA number)

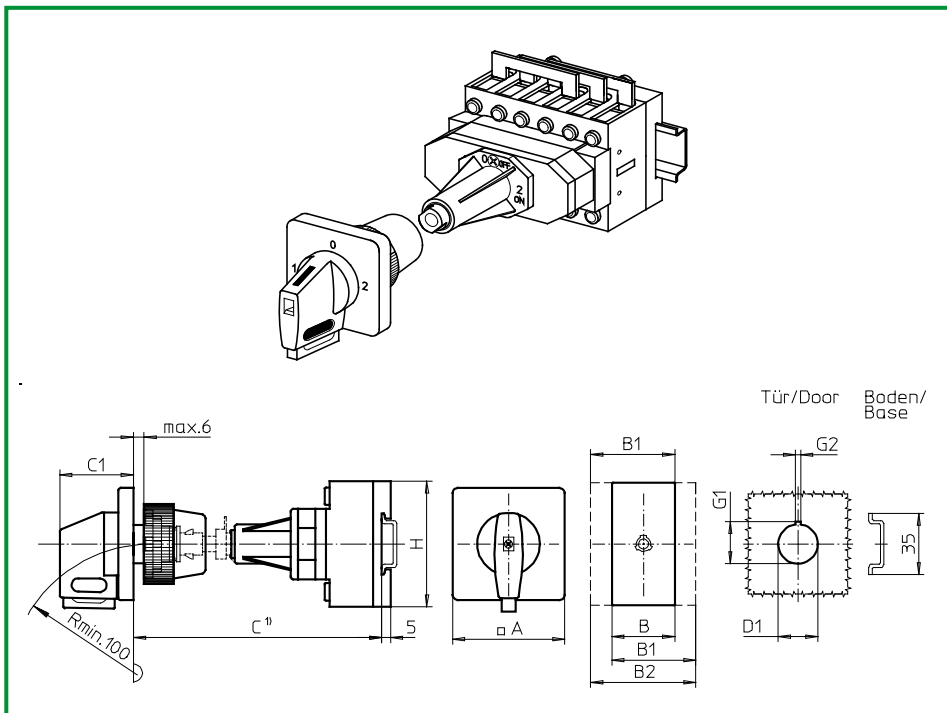
## Dimensions (mm)

| Product lines | A  | B  | B1 | B2 | C1 | D1   | G1   | G2  | H  |
|---------------|----|----|----|----|----|------|------|-----|----|
| H200-A        | 64 | 36 | 48 | 60 | 39 | 22,5 | 24,2 | 3,2 | 70 |
| H200-B        | 64 | 50 | 69 | 88 | 39 | 22,5 | 24,2 | 3,2 | 72 |
| H200-D        | 64 | 72 | 84 | 96 | 39 | 22,5 | 24,2 | 3,2 | 70 |
| H200-E        | 64 | 72 | 84 | 96 | 39 | 22,5 | 24,2 | 3,2 | 70 |

C<sup>1)</sup> Internal depth, outside of door to top of DIN rail. Metal shaft is not included. Please order separately. See page B6-17.

# Base Mounting Switches

# sälzer



**Product line**  
**H200-E**

**Base mounting switch**  
Operator module of next size

**Door interlock**  
Metal shaft extension  
With shaft retaining bush

**Single hole mounting**  
ø 22,5 mm front

**285V1** (IP66)

**291V1** (IP66)

| Complete switch  | Poles   | Product lines | Rated data (IEC 60947)             |                               |            | Order code number            |
|--|---------|---------------|------------------------------------|-------------------------------|------------|------------------------------|
|  |         |               | Operational current I <sub>e</sub> | Operational power at 380–440V |            |                              |
|  |         |               | AC-21A<br>A                        | AC-23A<br>kW                  | AC-3<br>kW |                              |
| Changeover with OFF<br>Switching angle 90°<br>OFF position padlockable 12h             | 3 ... 4 | H200-E        | 20                                 | 5,5                           | 3,7        | <b>H216 - 71 ... - 285V1</b> |
|  |         |               | 25                                 | 7,5                           | 5,5        | <b>H220 - 71 ... - 285V1</b> |
|  |         |               | 32                                 | 11                            | 7,5        | <b>H226 - 71 ... - 285V1</b> |
|  |         |               | 40                                 | 15                            | 11         | <b>H233 - 11 ... - 285V1</b> |
| Changeover with OFF<br>Switching angle 90°<br>3 positions padlockable<br>(09h/12h/03h) | 3 ... 4 | H200-E        | 20                                 | 5,5                           | 3,7        | <b>H216 - 71 ... - 291V1</b> |
|  |         |               | 25                                 | 7,5                           | 5,5        | <b>H220 - 71 ... - 291V1</b> |
|  |         |               | 32                                 | 11                            | 7,5        | <b>H226 - 71 ... - 291V1</b> |
|  |         |               | 40                                 | 15                            | 11         | <b>H233 - 71 ... - 291V1</b> |

| SMD modules for basic switch A02  |        |                                |
|---|--------|--------------------------------|
| Mounting form module for 285V1/291V1  | H200-E | <b>BFC2 - 281</b>              |
| V-operator module 64 × 64 mm, mounting form 285V1<br>Escutcheon black, handle black |        | <b>2IV1 - 12</b>               |
| V-operator module 64 × 64 mm, mounting form 291V1<br>Escutcheon black, handle black |        | <b>2IV1 - 99</b>               |
| Legend plate silver, operator modules 285V1/291V1                                   |        | <b>FAS4 - 9...</b> (FA number) |

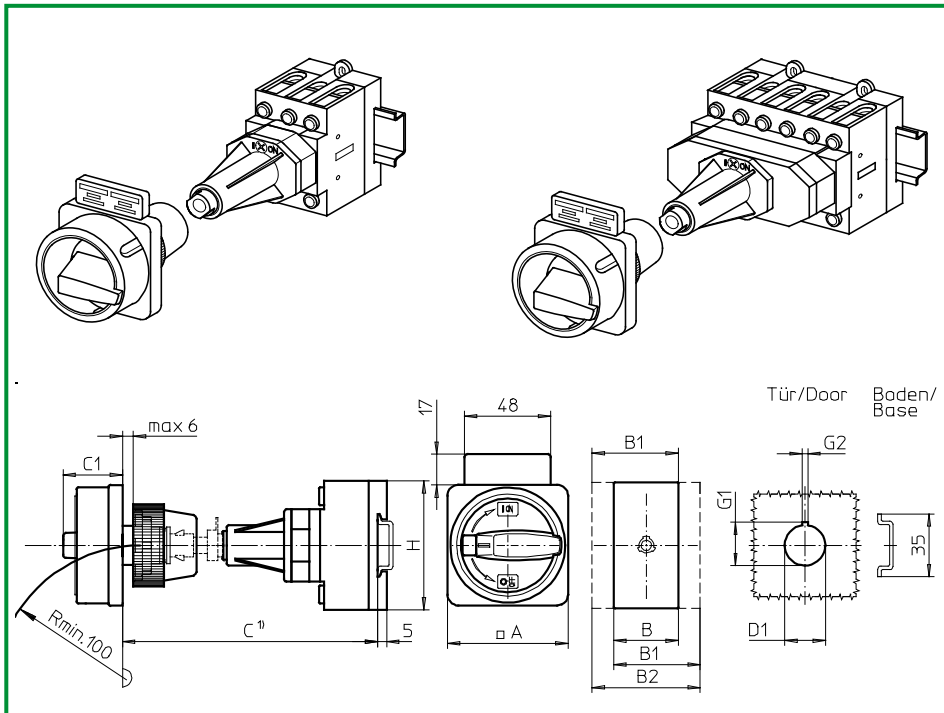
| Dimensions (mm) |    |    |    |    |    |      |      |     |    |
|-----------------|----|----|----|----|----|------|------|-----|----|
| Product line    | A  | B  | B1 | B2 | C1 | D1   | G1   | G2  | H  |
| H200-E          | 64 | 72 | 84 | 96 | 39 | 22,5 | 24,2 | 3,2 | 70 |

C<sup>1</sup>) Internal depth, outside of door to top of DIN rail. Metal shaft is not included. Please order separately. See page B6-17.



# Base Mounting Switches

**sälzer**



**Product lines  
H200-A/-B/-D**

**Base mounting switch**

**Door interlock**  
Metal shaft extension  
With shaft retaining bush

**Single hole mounting**  
ø 22,5 mm front

**281M1 (IP66)**

**281M4 (IP66)**

| Complete switch   | Poles   | Product lines | Rated data (IEC 60947)             |                               |            | Order code number            |
|---|---------|---------------|------------------------------------|-------------------------------|------------|------------------------------|
|   |         |               | Operational current I <sub>e</sub> | Operational power at 380–440V |            |                              |
|   |         |               | AC-21A<br>A                        | AC-23A<br>kW                  | AC-3<br>kW |                              |
| Main Switches<br>OFF position padlockable 09h               | 3 ... 8 | H200-A/-D     | 20                                 | 5,5                           | 3,7        | <b>H216 - 41 ... - 281M1</b> |
|   |         |               | 25                                 | 7,5                           | 5,5        | <b>H220 - 41 ... - 281M1</b> |
|   |         |               | 32                                 | 11                            | 7,5        | <b>H226 - 41 ... - 281M1</b> |
|   |         |               | 40                                 | 15                            | 11         | <b>H233 - 41 ... - 281M1</b> |
|   |         |               | 63                                 | 22                            | 18,5       | <b>H263 - 41 ... - 281M1</b> |
| Main/Emergency-Off Switches<br>OFF position padlockable 09h | 3 ... 8 | H200-A/-D     | 20                                 | 5,5                           | 3,7        | <b>H216 - 41 ... - 281M4</b> |
|   |         |               | 25                                 | 7,5                           | 5,5        | <b>H220 - 41 ... - 281M4</b> |
|   |         |               | 32                                 | 11                            | 7,5        | <b>H226 - 41 ... - 281M4</b> |
|   |         |               | 40                                 | 15                            | 11         | <b>H233 - 41 ... - 281M4</b> |
|   |         |               | 63                                 | 22                            | 18,5       | <b>H263 - 41 ... - 281M4</b> |
|   | 3 ... 4 | H200-B        |                                    |                               |            |                              |

## SMD modules for basic switch A02

Mounting form module for 281M.

H200-A  
H200-B/-D

**BFA2 - 281**  
**BFB2 - 281**

M-padlock device 67 × 67 mm, mounting form 281M1  
Escutcheon black, padlockable handle black

H200-A/-B/-D

**2GM1**

M-padlock device 67 × 67 mm, mounting form 281M4  
Escutcheon yellow, padlockable handle red

**2GM4**

Additional top escutcheon plate

**FAZ2 - 8041**

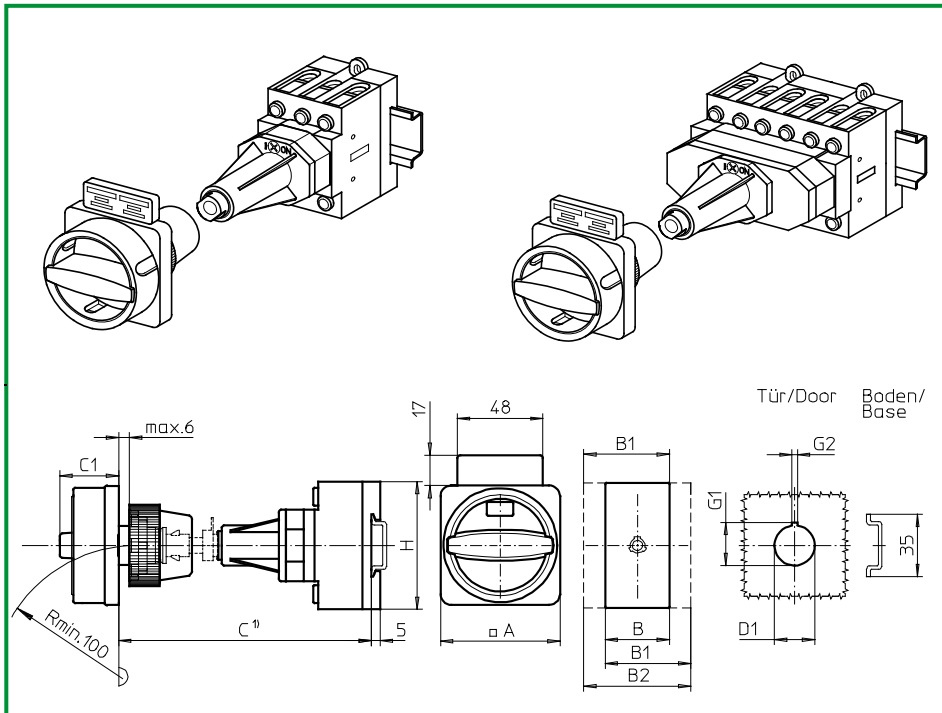
## Dimensions (mm)

| Product lines | A  | B  | B1 | B2 | C1 | D1   | G1   | G2  | H  |
|---------------|----|----|----|----|----|------|------|-----|----|
| H200-A        | 67 | 36 | 48 | 60 | 38 | 22,5 | 24,2 | 3,2 | 70 |
| H200-B        | 67 | 50 | 69 | 88 | 38 | 22,5 | 24,2 | 3,2 | 72 |
| H200-D        | 67 | 72 | 84 | 96 | 38 | 22,5 | 24,2 | 3,2 | 70 |

C<sup>1)</sup> Internal depth, outside of door to top of DIN rail. Metal shaft is not included. Please order separately. See page B6-17.

# Base Mounting Switches

# sälzer



**Product lines**  
H200-A/-B/-D

**Base mounting switch**

**Door interlock**  
Metal shaft extension  
With shaft retaining bush

**Single hole mounting**  
ø 22,5 mm front

**281N1** (IP66)

**281N4** (IP66)

| Complete switch   | Poles   | Product lines | Rated data (IEC 60947)             |                               |            | Order code number            |
|---|---------|---------------|------------------------------------|-------------------------------|------------|------------------------------|
|   |         |               | Operational current I <sub>e</sub> | Operational power at 380–440V |            |                              |
|   |         |               | AC-21A<br>A                        | AC-23A<br>kW                  | AC-3<br>kW |                              |
| Main Switches<br>OFF position padlockable 12h               | 3 ... 8 | H200-A/-D     | 20                                 | 5,5                           | 3,7        | <b>H216 - 41 ... - 281N1</b> |
|   |         |               | 25                                 | 7,5                           | 5,5        | <b>H220 - 41 ... - 281N1</b> |
|   |         |               | 32                                 | 11                            | 7,5        | <b>H226 - 41 ... - 281N1</b> |
|   |         |               | 40                                 | 15                            | 11         | <b>H233 - 41 ... - 281N1</b> |
|   |         |               | 63                                 | 22                            | 18,5       | <b>H263 - 41 ... - 281N1</b> |
| Main/Emergency-Off Switches<br>OFF position padlockable 12h | 3 ... 8 | H200-A/-D     | 20                                 | 5,5                           | 3,7        | <b>H216 - 41 ... - 281N4</b> |
|   |         |               | 25                                 | 7,5                           | 5,5        | <b>H220 - 41 ... - 281N4</b> |
|   |         |               | 32                                 | 11                            | 7,5        | <b>H226 - 41 ... - 281N4</b> |
|   |         |               | 40                                 | 15                            | 11         | <b>H233 - 41 ... - 281N4</b> |
|   |         |               | 63                                 | 22                            | 18,5       | <b>H263 - 41 ... - 281N4</b> |
|   | 3 ... 4 | H200-B        |                                    |                               |            |                              |

## SMD modules for basic switch A02

Mounting form module for 281N.

H200-A  
H200-B/-D

**BFA2 - 281**  
**BFB2 - 281**

N-padlock device 67 × 67 mm, mounting form 281N1  
Escutcheon black, padlockable handle black

H200-A/-B/-D

**2GN1**

N-padlock device 67 × 67 mm, mounting form 281N4  
Escutcheon yellow, padlockable handle red

**2GN4**

Additional top escutcheon plate

**FAZ2 - 8041**

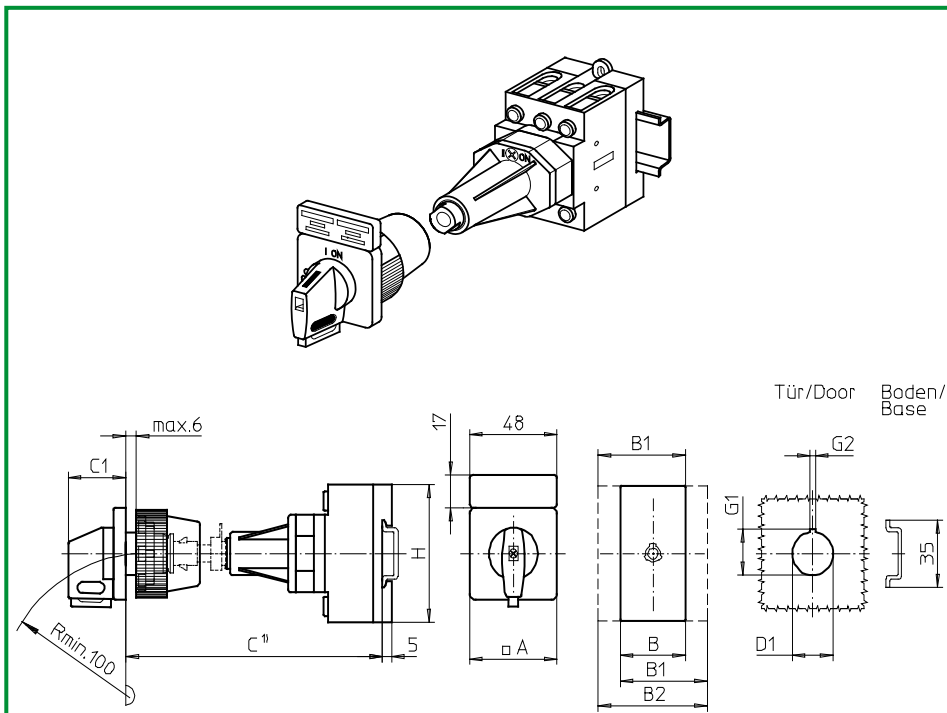
## Dimensions (mm)

| Product lines | A  | B  | B1 | B2 | C1 | D1   | G1   | G2  | H  |
|---------------|----|----|----|----|----|------|------|-----|----|
| H200-A        | 67 | 36 | 48 | 60 | 33 | 22,5 | 24,2 | 3,2 | 70 |
| H200-B        | 67 | 50 | 69 | 88 | 33 | 22,5 | 24,2 | 3,2 | 72 |
| H200-D        | 67 | 72 | 84 | 96 | 33 | 22,5 | 24,2 | 3,2 | 70 |

C<sup>1)</sup> Internal depth, outside of door to top of DIN rail. Metal shaft is not included. Please order separately. See page B6-17.

# Base Mounting Switches

# sälzer



**Product lines**  
H200-A/-B

**Base mounting switch**

**Door interlock**  
Metal shaft extension  
With shaft retaining bush

**Single hole mounting**  
ø 22,5 mm front

**281V1** (IP66)

**281V4** (IP66)

| Complete switch  | Poles   | Product lines | Rated data (IEC 60947)             |                               |            | Order code number  |
|--|---|---------------|------------------------------------|-------------------------------|------------|--|
|  |   |               | Operational current I <sub>e</sub> | Operational power at 380–440V |            |  |
|  |   |               | AC-21A<br>A                        | AC-23A<br>kW                  | AC-3<br>kW |  |
| Main Switches<br>OFF position padlockable 09h                      | 3 ... 4   | H200-A        | 20                                 | 5,5                           | 3,7        | <b>H216 - 41 ... - 281V1</b>                                 |
|  |   |               | 25                                 | 7,5                           | 5,5        | <b>H220 - 41 ... - 281V1</b>                                 |
|  |   |               | 32                                 | 11                            | 7,5        | <b>H226 - 41 ... - 281V1</b>                                 |
|  |   |               | 40                                 | 15                            | 11         | <b>H233 - 41 ... - 281V1</b>                                 |
|  |   |               | 63                                 | 22                            | 18,5       | <b>H263 - 41 ... - 281V1</b>                                 |
| Main/Emergency-Off Switches<br>OFF position padlockable 09h        | 3 ... 4   | H200-A        | 20                                 | 5,5                           | 3,7        | <b>H216 - 41 ... - 281V4</b>                                 |
|  |   |               | 25                                 | 7,5                           | 5,5        | <b>H220 - 41 ... - 281V4</b>                                 |
|  |   |               | 32                                 | 11                            | 7,5        | <b>H226 - 41 ... - 281V4</b>                                 |
|  |   |               | 40                                 | 15                            | 11         | <b>H233 - 41 ... - 281V4</b>                                 |
|  |   |               | 63                                 | 22                            | 18,5       | <b>H263 - 41 ... - 281V4</b>                                 |
| SMD modules for basic switch A02<br>Mounting form module for 281V. |   |               | H200-A                             |                               |            | <b>BFA2 - 281</b>  |
|  |   |               | H200-B                             |                               |            | <b>BFB2 - 281</b>  |
|  | V-operator module 48 × 48 mm, mounting form 281V1<br>Escutcheon black, handle black<br>Legend plate silver, operator module 281V1 |               | H200-A/-B                          |                               |            | <b>2LV1 - 09</b>   |
|  | V-operator module 48 × 48 mm, mounting form 281V4<br>Escutcheon black, handle red<br>Legend plate yellow, operator module 281V4   |               |                                    |                               |            | <b>FAS2 - 9078</b>   |
|  | Additional top escutcheon plate   |               |                                    |                               |            | <b>2LV4 - 09</b><br><b>FBS2 - 9078</b><br><b>FAZ2 - 8041</b> |

## Dimensions (mm)

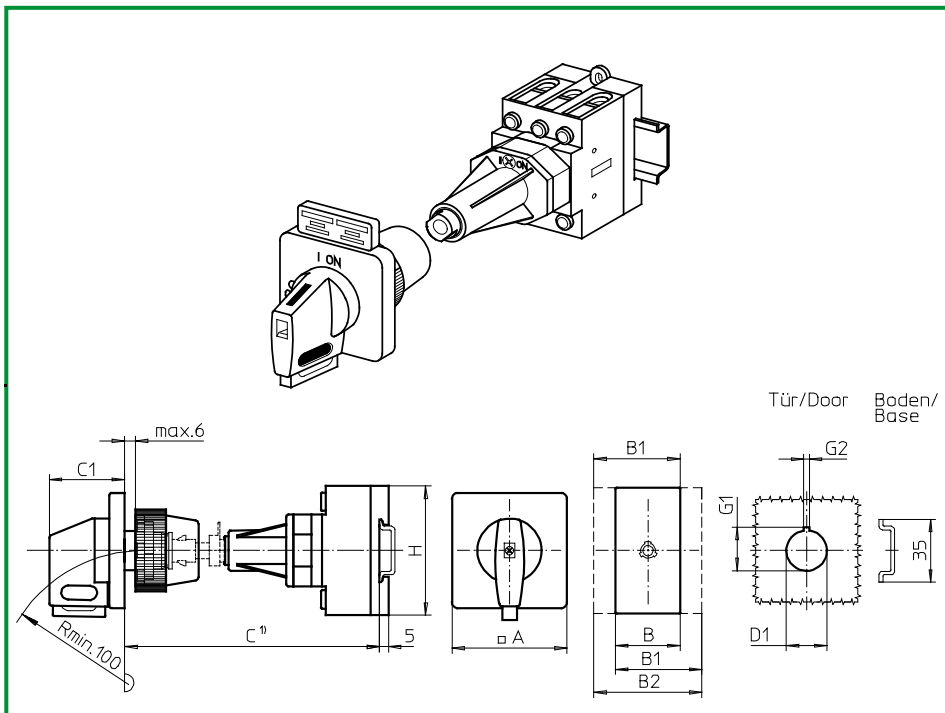
| Product lines | A  | B  | B1 | B2 | C1 | D1   | G1   | G2  | H  |
|---------------|----|----|----|----|----|------|------|-----|----|
| H200-A        | 48 | 36 | 48 | 60 | 32 | 22,5 | 24,2 | 3,2 | 70 |
| H200-B        | 48 | 50 | 69 | 88 | 32 | 22,5 | 24,2 | 3,2 | 72 |

C<sup>1</sup>) Internal depth, outside of door to top of DIN rail. Metal shaft is not included. Please order separately. See page B6-17.



# Base Mounting Switches

# sälzer



**Product lines**  
H200-A/-B/-D

**Base mounting switch**  
Operator module of next size

**Door interlock**  
Metal shaft extension  
With shaft retaining bush

**Single hole mounting**  
ø 22,5 mm front

**289V1** (IP66)  
**289V4** (IP66)

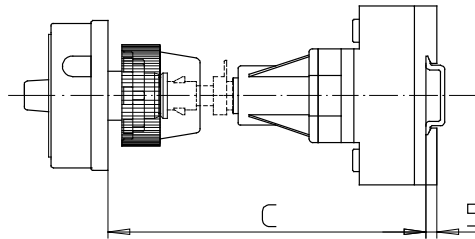
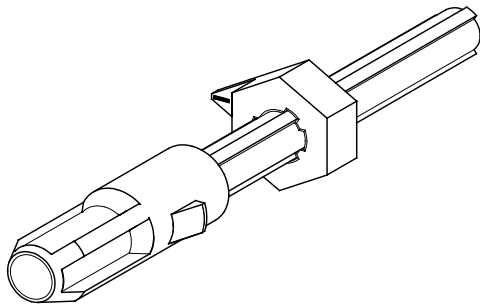
| Complete switch   | Poles   | Product lines | Rated data (IEC 60947)             |                               |            | Order code number            |
|---|---------|---------------|------------------------------------|-------------------------------|------------|------------------------------|
|   |         |               | Operational current I <sub>e</sub> | Operational power at 380–440V |            |                              |
|   |         |               | AC-21A<br>A                        | AC-23A<br>kW                  | AC-3<br>kW |                              |
| Main Switches<br>OFF position padlockable 09h               | 3 ... 8 | H200-A/-D     | 20                                 | 5,5                           | 3,7        | <b>H216 - 41 ... - 289V1</b> |
|   |         |               | 25                                 | 7,5                           | 5,5        | <b>H220 - 41 ... - 289V1</b> |
|   |         |               | 32                                 | 11                            | 7,5        | <b>H226 - 41 ... - 289V1</b> |
|   |         |               | 40                                 | 15                            | 11         | <b>H233 - 41 ... - 289V1</b> |
|   |         |               | 63                                 | 22                            | 18,5       | <b>H263 - 41 ... - 289V1</b> |
| Main/Emergency-Off Switches<br>OFF position padlockable 09h | 3 ... 8 | H200-A/-D     | 20                                 | 5,5                           | 3,7        | <b>H216 - 41 ... - 289V4</b> |
|   |         |               | 25                                 | 7,5                           | 5,5        | <b>H220 - 41 ... - 289V4</b> |
|   |         |               | 32                                 | 11                            | 7,5        | <b>H226 - 41 ... - 289V4</b> |
|   |         |               | 40                                 | 15                            | 11         | <b>H233 - 41 ... - 289V4</b> |
|   |         |               | 63                                 | 22                            | 18,5       | <b>H263 - 41 ... - 289V4</b> |
|   | 3 ... 4 | H200-B        |                                    |                               |            |                              |

| SMD modules for basic switch A02  |  |              |                    |
|---|--|--------------|--------------------|
| Mounting form module for 289V.  |  | H200-A       | <b>BFA2 - 281</b>  |
|   |  | H200-B/-D    | <b>BFB2 - 281</b>  |
| V-operator module 64 × 64 mm, mounting form 289V1<br>Escutcheon black, handle black |  | H200-A/-B/-D | <b>2NV1 - 09</b>   |
| Legend plate silver, operator module 289V1  |  |              | <b>FAS4 - 9078</b> |
| V-operator module 64 × 64 mm, mounting form 289V4<br>Escutcheon black, handle red   |  |              | <b>2NV4 - 09</b>   |
| Legend plate yellow, operator module 289V4  |  |              | <b>FBS4 - 9078</b> |
| Additional top escutcheon plate   |  |              | <b>FAZ2 - 8041</b> |

| Dimensions (mm) |    |    |    |    |    |      |      |     |    |
|-----------------|----|----|----|----|----|------|------|-----|----|
| Product lines   | A  | B  | B1 | B2 | C1 | D1   | G1   | G2  | H  |
| H200-A          | 64 | 36 | 48 | 60 | 39 | 22,5 | 24,2 | 3,2 | 70 |
| H200-B          | 64 | 50 | 69 | 88 | 39 | 22,5 | 24,2 | 3,2 | 72 |
| H200-D          | 64 | 72 | 84 | 96 | 39 | 22,5 | 24,2 | 3,2 | 70 |

C<sup>1)</sup> Internal depth, outside of door to top of DIN rail. Metal shaft is not included. Please order separately. See page B6-17.

# Metal shaft extension



**Product lines**  
H200-A/-B/-D/-E

**Base mounting**  
switch

**Door interlock**  
Metal shaft extension

**Single hole mounting**  
ø 22,5 mm front

**AVA8 - . . .**

Metal shaft extension for mounting forms with **door interlock** and single hole mounting ø 22,5 mm front

Dimension C (internal depth, outside of door to top of DIN rail)

| Mounting forms with shaft retaining screw |                | Order code number | Mounting forms with shaft retaining bush |                | Order code number |
|---|----------------|-------------------|--|----------------|-------------------|
| H200-A /-B                                | H200-D/-E      |                   | H200-A /-B                               | H200-D/-E      |                   |
| 137 ... 148 mm                            | 145 ... 156 mm | <b>AVA8 - 053</b> | 155 ... 173 mm                           | 163 ... 181 mm | <b>AVA8 - 065</b> |
| 149 ... 161 mm                            | 157 ... 169 mm | <b>AVA8 - 065</b> | 174 ... 198 mm                           | 182 ... 206 mm | <b>AVA8 - 090</b> |
| 162 ... 173 mm                            | 170 ... 181 mm | <b>AVA8 - 078</b> | 199 ... 223 mm                           | 207 ... 231 mm | <b>AVA8 - 115</b> |
| 174 ... 186 mm                            | 182 ... 194 mm | <b>AVA8 - 090</b> | 224 ... 248 mm                           | 232 ... 256 mm | <b>AVA8 - 140</b> |
| 187 ... 198 mm                            | 195 ... 206 mm | <b>AVA8 - 103</b> | 249 ... 273 mm                           | 257 ... 281 mm | <b>AVA8 - 165</b> |
| 199 ... 211 mm                            | 207 ... 219 mm | <b>AVA8 - 115</b> | 274 ... 298 mm                           | 282 ... 306 mm | <b>AVA8 - 190</b> |
| 212 ... 223 mm                            | 220 ... 231 mm | <b>AVA8 - 128</b> | 299 ... 323 mm                           | 307 ... 331 mm | <b>AVA8 - 215</b> |
| 224 ... 236 mm                            | 232 ... 244 mm | <b>AVA8 - 140</b> | 324 ... 348 mm                           | 332 ... 356 mm | <b>AVA8 - 240</b> |
| 237 ... 248 mm                            | 245 ... 256 mm | <b>AVA8 - 153</b> | 349 ... 373 mm                           | 357 ... 381 mm | <b>AVA8 - 265</b> |
| 249 ... 261 mm                            | 257 ... 269 mm | <b>AVA8 - 165</b> | 374 ... 398 mm                           | 382 ... 406 mm | <b>AVA8 - 290</b> |
| 262 ... 273 mm                            | 270 ... 281 mm | <b>AVA8 - 178</b> | 399 ... 423 mm                           | 407 ... 431 mm | <b>AVA8 - 315</b> |
| 274 ... 286 mm                            | 282 ... 294 mm | <b>AVA8 - 190</b> | 424 ... 448 mm                           | 432 ... 456 mm | <b>AVA8 - 340</b> |
| 287 ... 298 mm                            | 295 ... 306 mm | <b>AVA8 - 203</b> | 449 ... 473 mm                           | 457 ... 481 mm | <b>AVA8 - 365</b> |
| 299 ... 311 mm                            | 307 ... 319 mm | <b>AVA8 - 215</b> | 474 ... 498 mm                           | 482 ... 506 mm | <b>AVA8 - 390</b> |
| 312 ... 323 mm                            | 320 ... 331 mm | <b>AVA8 - 228</b> | 499 ... 523 mm                           | 507 ... 531 mm | <b>AVA8 - 415</b> |
| 324 ... 336 mm                            | 332 ... 344 mm | <b>AVA8 - 240</b> | 524 ... 548 mm                           | 532 ... 556 mm | <b>AVA8 - 440</b> |
| 337 ... 348 mm                            | 345 ... 356 mm | <b>AVA8 - 253</b> | 549 ... 573 mm                           | 557 ... 581 mm | <b>AVA8 - 465</b> |
| 349 ... 361 mm                            | 357 ... 369 mm | <b>AVA8 - 265</b> | 574 ... 598 mm                           | 582 ... 606 mm | <b>AVA8 - 490</b> |
| 362 ... 373 mm                            | 370 ... 381 mm | <b>AVA8 - 278</b> | 599 ... 623 mm                           | 607 ... 631 mm | <b>AVA8 - 515</b> |
| 374 ... 386 mm                            | 382 ... 394 mm | <b>AVA8 - 290</b> | 624 ... 643 mm                           | 632 ... 656 mm | <b>AVA8 - 540</b> |
| 387 ... 398 mm                            | 395 ... 404 mm | <b>AVA8 - 303</b> |  |                |                   |

# Base Mounting Switches

# sälzer

**Product lines**  
**H200-A/-B**

**Base mounting switch**

**Door interlock**

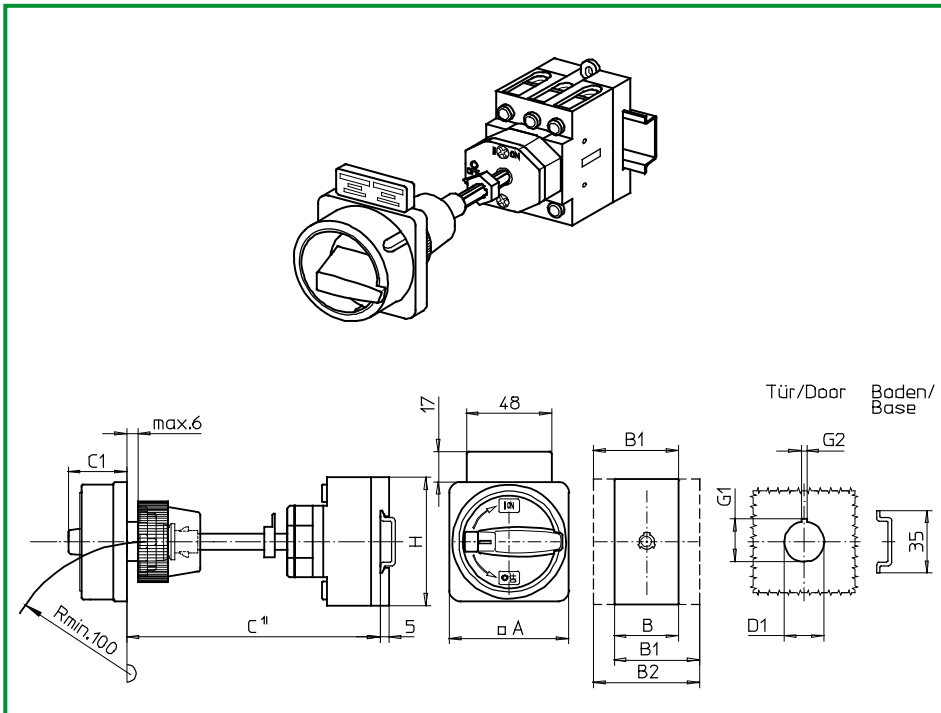
Metal shaft extension with fixed metal shaft, C = 110mm

**Single hole mounting**

ø 22,5 mm front

**311M1** (IP66)

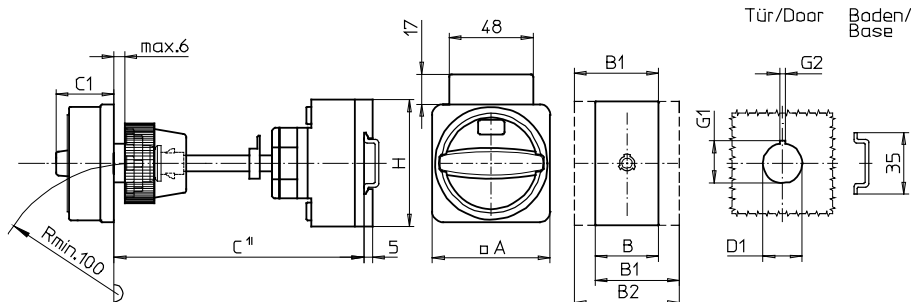
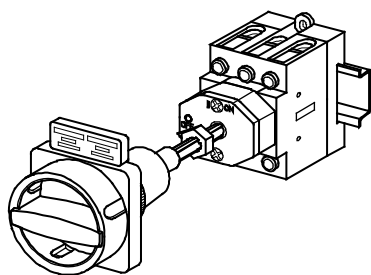
**311M4** (IP66)



| Complete switch  | Poles    | Product lines | Rated data (IEC 60947)             |                               |            | Order code number                      |           |           |           |          |
|--|----------|---------------|------------------------------------|-------------------------------|------------|--|-----------|-----------|-----------|----------|
|  |          |               | Operational current I <sub>e</sub> | Operational power at 380–440V |            |  |           |           |           |          |
|  |          |               | AC-21A<br>A                        | AC-23A<br>kW                  | AC-3<br>kW |  |           |           |           |          |
| Main Switches<br>OFF position padlockable 09h  | 3 ... 4  | H200-A        | 20                                 | 5,5                           | 3,7        | <b>H216 - 41 ... - 311M1</b>           |           |           |           |          |
|  |          |               | 25                                 | 7,5                           | 5,5        | <b>H220 - 41 ... - 311M1</b>           |           |           |           |          |
|  |          |               | 32                                 | 11                            | 7,5        | <b>H226 - 41 ... - 311M1</b>           |           |           |           |          |
|  |          |               | 40                                 | 15                            | 11         | <b>H233 - 41 ... - 311M1</b>           |           |           |           |          |
|  |          |               | 63                                 | 22                            | 18,5       | <b>H263 - 41 ... - 311M1</b>           |           |           |           |          |
| Main/Emergency-Off Switches<br>OFF position padlockable 09h                                    | 3 ... 4  | H200-A        | 20                                 | 5,5                           | 3,7        | <b>H216 - 41 ... - 311M4</b>           |           |           |           |          |
|  |          |               | 25                                 | 7,5                           | 5,5        | <b>H220 - 41 ... - 311M4</b>           |           |           |           |          |
|  |          |               | 32                                 | 11                            | 7,5        | <b>H226 - 41 ... - 311M4</b>           |           |           |           |          |
|  |          |               | 40                                 | 15                            | 11         | <b>H233 - 41 ... - 311M4</b>           |           |           |           |          |
|  |          |               | 63                                 | 22                            | 18,5       | <b>H263 - 41 ... - 311M4</b>           |           |           |           |          |
| <b>SMD modules for basic switch A02</b>  |          |               |                                    |                               |            |  |           |           |           |          |
| Mounting form module for 311M.   |          |               | H200-A<br>H200-B                   |                               |            | <b>BFA2 - 311</b><br><b>BFB2 - 311</b> |           |           |           |          |
| M-padlock device 67 × 67 mm, mounting form 311M1<br>Escutcheon black, padlockable handle black |          |               | H200-A/-B                          |                               |            | <b>2GM1</b>                            |           |           |           |          |
| M-padlock device 67 × 67 mm, mounting form 311M4<br>Escutcheon yellow, padlockable handle red  |          |               |                                    |                               |            | <b>2GM4</b>                            |           |           |           |          |
| Additional top escutcheon plate  |          |               |                                    |                               |            | <b>FAZZ - 8041</b>                     |           |           |           |          |
| <b>Dimensions (mm)</b>   |          |               |                                    |                               |            |  |           |           |           |          |
| <b>Product lines</b>   | <b>A</b> | <b>B</b>      | <b>B1</b>                          | <b>B2</b>                     | <b>C</b>   | <b>C1</b>                              | <b>D1</b> | <b>G1</b> | <b>G2</b> | <b>H</b> |
| H200-A   | 67       | 36            | 48                                 | 60                            | 110        | 38                                     | 22,5      | 24,2      | 3,2       | 70       |
| H200-B   | 67       | 50            | 69                                 | 88                            | 110        | 38                                     | 22,5      | 24,2      | 3,2       | 72       |
| <b>C<sup>1)</sup> Internal depth, outside of door to top of DIN rail.</b>                      |          |               |                                    |                               |            |  |           |           |           |          |

# Base Mounting Switches

# sälzer



**Product lines**  
H200-A/-B

**Base mounting switch**

**Door interlock**

Metal shaft extension with fixed metal shaft, C = 110 mm

**Single hole mounting**

∅ 22,5 mm front

**311N1 (IP66)**

**311N4 (IP66)**

| Complete switch   | Poles   | Product lines | Rated data (IEC 60947)             |                               |            | Order code number            |
|---|---------|---------------|------------------------------------|-------------------------------|------------|------------------------------|
|   |         |               | Operational current I <sub>e</sub> | Operational power at 380–440V |            |                              |
|   |         |               | AC-21A<br>A                        | AC-23A<br>kW                  | AC-3<br>kW |                              |
| Main Switches<br>OFF position padlockable 12h               | 3 ... 4 | H200-A        | 20                                 | 5,5                           | 3,7        | <b>H216 - 41 ... - 311N1</b> |
|   |         |               | 25                                 | 7,5                           | 5,5        | <b>H220 - 41 ... - 311N1</b> |
|   |         |               | 32                                 | 11                            | 7,5        | <b>H226 - 41 ... - 311N1</b> |
|   |         |               | 40                                 | 15                            | 11         | <b>H233 - 41 ... - 311N1</b> |
|   |         |               | 63                                 | 22                            | 18,5       | <b>H263 - 41 ... - 311N1</b> |
| Main/Emergency-Off Switches<br>OFF position padlockable 12h | 3 ... 4 | H200-A        | 20                                 | 5,5                           | 3,7        | <b>H216 - 41 ... - 311N4</b> |
|   |         |               | 25                                 | 7,5                           | 5,5        | <b>H220 - 41 ... - 311N4</b> |
|   |         |               | 32                                 | 11                            | 7,5        | <b>H226 - 41 ... - 311N4</b> |
|   |         |               | 40                                 | 15                            | 11         | <b>H233 - 41 ... - 311N4</b> |
|   |         |               | 63                                 | 22                            | 18,5       | <b>H263 - 41 ... - 311N4</b> |
|   |         | H200-B        |                                    |                               |            |                              |

### SMD modules for basic switch A02

Mounting form module for 311N.

H200-A  
H200-B/  
H200-A/-B

**BFA2 - 311**  
**BFB2 - 311**  
**2GN1**

N-padlock device 67 × 67 mm, mounting form 311N1  
Escutcheon black, padlockable handle black

N-padlock device 67 × 67 mm, mounting form 311N4  
Escutcheon yellow, padlockable handle red

**2GN4**

Additional top escutcheon plate

**FAZ2 - 8041**

### Dimensions (mm)

| Product lines | A  | B  | B1 | B2 | C   | C1 | D1   | G1   | G2  | H  |
|---------------|----|----|----|----|-----|----|------|------|-----|----|
| H200-A        | 67 | 36 | 48 | 60 | 110 | 33 | 22,5 | 24,2 | 3,2 | 70 |
| H200-B        | 67 | 50 | 69 | 88 | 110 | 33 | 22,5 | 24,2 | 3,2 | 72 |

C<sup>1)</sup> Internal depth, outside of door to top of DIN rail.



# Base Mounting Switches

# sälzer

**Product lines**  
H200-A/-B/-D

**Base mounting switch**

**Door interlock**

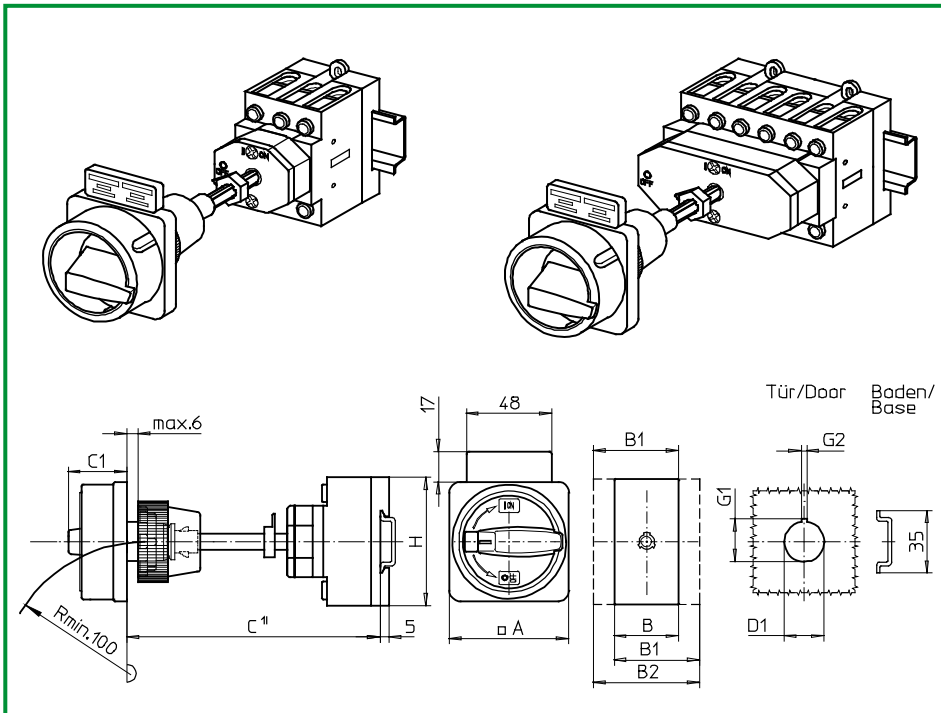
Metal shaft extension with fixed metal shaft, C = 115 mm

**Single hole mounting**

∅ 22,5 mm front

**312M1** (IP66)

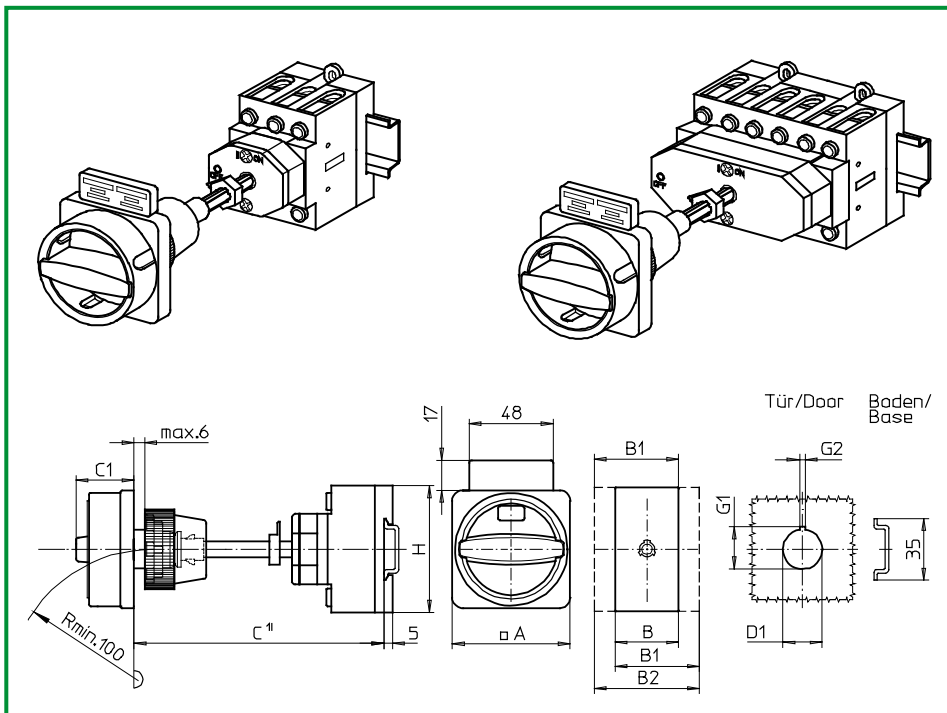
**312M4** (IP66)



| Complete switch  | Poles    | Product lines | Rated data (IEC 60947)             |                               |            | Order code number   |           |           |           |          |
|--|----------|---------------|------------------------------------|-------------------------------|------------|---|-----------|-----------|-----------|----------|
|  |          |               | Operational current I <sub>e</sub> | Operational power at 380–440V |            |   |           |           |           |          |
|  |          |               | AC-21A<br>A                        | AC-23A<br>kW                  | AC-3<br>kW |   |           |           |           |          |
| Main Switches<br>OFF position padlockable 09h  | 3 ... 8  | H200-A/-D     | 20                                 | 5,5                           | 3,7        | <b>H216 - 41 ... - 312M1</b>                                |           |           |           |          |
|  |          |               | 25                                 | 7,5                           | 5,5        | <b>H220 - 41 ... - 312M1</b>                                |           |           |           |          |
|  |          |               | 32                                 | 11                            | 7,5        | <b>H226 - 41 ... - 312M1</b>                                |           |           |           |          |
|  |          |               | 40                                 | 15                            | 11         | <b>H233 - 41 ... - 312M1</b>                                |           |           |           |          |
|  |          |               | 63                                 | 22                            | 18,5       | <b>H263 - 41 ... - 312M1</b>                                |           |           |           |          |
| Main/Emergency-Off Switches<br>OFF position padlockable 09h                                    | 3 ... 8  | H200-A/-D     | 20                                 | 5,5                           | 3,7        | <b>H216 - 41 ... - 312M4</b>                                |           |           |           |          |
|  |          |               | 25                                 | 7,5                           | 5,5        | <b>H220 - 41 ... - 312M4</b>                                |           |           |           |          |
|  |          |               | 32                                 | 11                            | 7,5        | <b>H226 - 41 ... - 312M4</b>                                |           |           |           |          |
|  |          |               | 40                                 | 15                            | 11         | <b>H233 - 41 ... - 312M4</b>                                |           |           |           |          |
|  |          |               | 63                                 | 22                            | 18,5       | <b>H263 - 41 ... - 312M4</b>                                |           |           |           |          |
| <b>SMD modules for basic switch A02</b>  |          |               |                                    |                               |            |   |           |           |           |          |
| Mounting form module for 312M.   |          |               | H200-A<br>H200-B<br>H200-D         |                               |            | <b>BFA2 - 312</b><br><b>BFB2 - 312</b><br><b>BFC2 - 312</b> |           |           |           |          |
| M-padlock device 67 × 67 mm, mounting form 312M1<br>Escutcheon black, padlockable handle black |          |               | H200-A/-B/-D                       |                               |            | <b>2GM1</b>   |           |           |           |          |
| M-padlock device 67 × 67 mm, mounting form 312M4<br>Escutcheon yellow, padlockable handle red  |          |               |                                    |                               |            | <b>2GM4</b>   |           |           |           |          |
| Additional top escutcheon plate  |          |               |                                    |                               |            | <b>FAZZ - 8041</b>  |           |           |           |          |
| <b>Dimensions (mm)</b>   |          |               |                                    |                               |            |   |           |           |           |          |
| <b>Product lines</b>   | <b>A</b> | <b>B</b>      | <b>B1</b>                          | <b>B2</b>                     | <b>C</b>   | <b>C1</b>   | <b>D1</b> | <b>G1</b> | <b>G2</b> | <b>H</b> |
| H200-A   | 67       | 36            | 48                                 | 60                            | 115        | 38  | 22,5      | 24,2      | 3,2       | 70       |
| H200-B   | 67       | 50            | 69                                 | 88                            | 115        | 38  | 22,5      | 24,2      | 3,2       | 72       |
| H200-D   | 67       | 72            | 84                                 | 96                            | 115        | 38  | 22,5      | 24,2      | 3,2       | 70       |
| <b>C<sup>1</sup>) Internal depth, outside of door to top of DIN rail.</b>                      |          |               |                                    |                               |            |   |           |           |           |          |

# Base Mounting Switches

# sälzer



**Product lines**  
H200-A/-B/-D

**Base mounting switch**

**Door interlock**  
Metal shaft extension with fixed metal shaft, C = 115 mm

**Single hole mounting**  
ø 22,5 mm front

**312N1 (IP66)**

**312N4 (IP66)**

| Complete switch   | Poles   | Product lines | Rated data (IEC 60947)             |                               |            | Order code number            |
|---|---------|---------------|------------------------------------|-------------------------------|------------|------------------------------|
|   |         |               | Operational current I <sub>e</sub> | Operational power at 380–440V |            |                              |
|   |         |               | AC-21A<br>A                        | AC-23A<br>kW                  | AC-3<br>kW |                              |
| Main Switches<br>OFF position padlockable 12h               | 3 ... 8 | H200-A/-D     | 20                                 | 5,5                           | 3,7        | <b>H216 - 41 ... - 312N1</b> |
|   |         |               | 25                                 | 7,5                           | 5,5        | <b>H220 - 41 ... - 312N1</b> |
|   |         |               | 32                                 | 11                            | 7,5        | <b>H226 - 41 ... - 312N1</b> |
|   |         |               | 40                                 | 15                            | 11         | <b>H233 - 41 ... - 312N1</b> |
|   |         |               | 63                                 | 22                            | 18,5       | <b>H263 - 41 ... - 312N1</b> |
| Main/Emergency-Off Switches<br>OFF position padlockable 12h | 3 ... 8 | H200-A/-D     | 20                                 | 5,5                           | 3,7        | <b>H216 - 41 ... - 312N4</b> |
|   |         |               | 25                                 | 7,5                           | 5,5        | <b>H220 - 41 ... - 312N4</b> |
|   |         |               | 32                                 | 11                            | 7,5        | <b>H226 - 41 ... - 312N4</b> |
|   |         |               | 40                                 | 15                            | 11         | <b>H233 - 41 ... - 312N4</b> |
|   |         |               | 63                                 | 22                            | 18,5       | <b>H263 - 41 ... - 312N4</b> |
|   | 3 ... 4 | H200-B        |                                    |                               |            |                              |

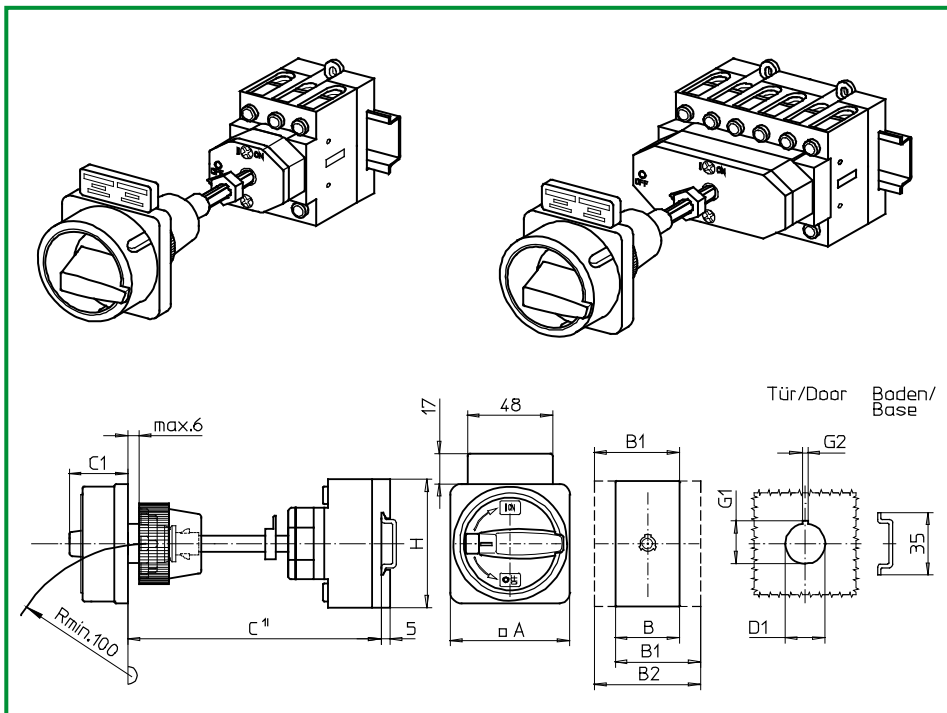
| SMD modules for basic switch A02   |                            |   |
|--|----------------------------|---|
| Mounting form module for 312N.   | H200-A<br>H200-B<br>H200-D | <b>BFA2 - 312</b><br><b>BFB2 - 312</b><br><b>BFC2 - 312</b> |
| N-padlock device 67 × 67 mm, mounting form 312N1<br>Escutcheon black, padlockable handle black | H200-A/-B/-D               | <b>2GN1</b>   |
| N-padlock device 67 × 67 mm, mounting form 312N4<br>Escutcheon yellow, padlockable handle red  |                            | <b>2GN4</b>   |
| Additional top escutcheon plate  |                            | <b>FAZ2 - 8041</b>  |

| Dimensions (mm) |    |    |    |    |     |    |      |      |     |    |
|-----------------|----|----|----|----|-----|----|------|------|-----|----|
| Product lines   | A  | B  | B1 | B2 | C   | C1 | D1   | G1   | G2  | H  |
| H200-A          | 67 | 36 | 48 | 60 | 115 | 33 | 22,5 | 24,2 | 3,2 | 70 |
| H200-B          | 67 | 50 | 69 | 88 | 115 | 33 | 22,5 | 24,2 | 3,2 | 72 |
| H200-D          | 67 | 72 | 84 | 96 | 115 | 33 | 22,5 | 24,2 | 3,2 | 70 |

C<sup>1</sup>) Internal depth, outside of door to top of DIN rail.

# Base Mounting Switches

# sälzer



**Product lines**  
H200-A/-B/-D

**Base mounting switch**

**Door interlock**  
Metal shaft extension with fixed metal shaft, C = 120 mm

**Single hole mounting**  
ø 22,5 mm front

**313M1** (IP66)

**313M4** (IP66)

| Complete switch   | Poles   | Product lines | Rated data (IEC 60947)             |                               |            | Order code number            |
|---|---------|---------------|------------------------------------|-------------------------------|------------|------------------------------|
|   |         |               | Operational current I <sub>e</sub> | Operational power at 380–440V |            |                              |
|   |         |               | AC-21A<br>A                        | AC-23A<br>kW                  | AC-3<br>kW |                              |
| Main Switches<br>OFF position padlockable 09h               | 3 ... 8 | H200-A/-D     | 20                                 | 5,5                           | 3,7        | <b>H216 - 41 ... - 313M1</b> |
|   |         |               | 25                                 | 7,5                           | 5,5        | <b>H220 - 41 ... - 313M1</b> |
|   |         |               | 32                                 | 11                            | 7,5        | <b>H226 - 41 ... - 313M1</b> |
|   |         |               | 40                                 | 15                            | 11         | <b>H233 - 41 ... - 313M1</b> |
|   | 3 ... 4 | H200-B        | 63                                 | 22                            | 18,5       | <b>H263 - 41 ... - 313M1</b> |
| Main/Emergency-Off Switches<br>OFF position padlockable 09h | 3 ... 8 | H200-A/-D     | 20                                 | 5,5                           | 3,7        | <b>H216 - 41 ... - 313M4</b> |
|   |         |               | 25                                 | 7,5                           | 5,5        | <b>H220 - 41 ... - 313M4</b> |
|   |         |               | 32                                 | 11                            | 7,5        | <b>H226 - 41 ... - 313M4</b> |
|   |         |               | 40                                 | 15                            | 11         | <b>H233 - 41 ... - 313M4</b> |
|   | 3 ... 4 | H200-B        | 63                                 | 22                            | 18,5       | <b>H263 - 41 ... - 313M4</b> |

## SMD modules for basic switch A02

Mounting form module for 313M.

H200-A  
H200-B  
H200-D

**BFA2 - 313**  
**BFB2 - 313**  
**BFC2 - 313**

M-padlock device 67 × 67 mm, mounting form 313M1  
Escutcheon black, padlockable handle black

H200-A/-B/-D

**2GM1**

M-padlock device 67 × 67 mm, mounting form 313M4  
Escutcheon yellow, padlockable handle red

**2GM4**

Additional top escutcheon plate

**FAZZ - 8041**

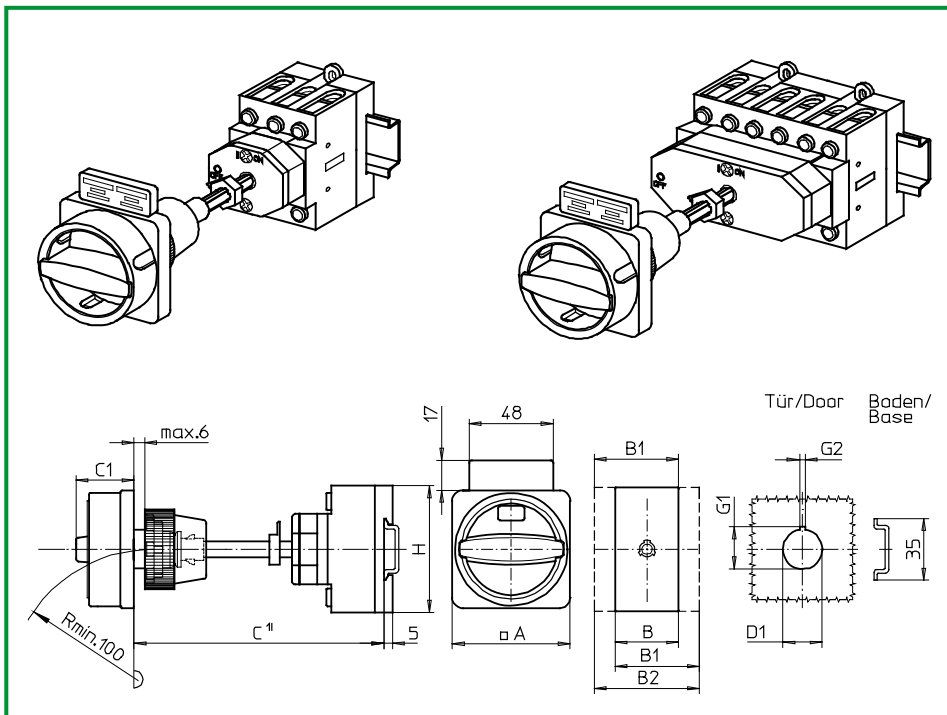
## Dimensions (mm)

| Product lines | A  | B  | B1 | B2 | C   | C1 | D1   | G1   | G2  | H  |
|---------------|----|----|----|----|-----|----|------|------|-----|----|
| H200-A        | 67 | 36 | 48 | 60 | 120 | 38 | 22,5 | 24,2 | 3,2 | 70 |
| H200-B        | 67 | 50 | 69 | 88 | 120 | 38 | 22,5 | 24,2 | 3,2 | 72 |
| H200-D        | 67 | 72 | 84 | 96 | 120 | 38 | 22,5 | 24,2 | 3,2 | 70 |

C<sup>1</sup>) Internal depth, outside of door to top of DIN rail.

# Base Mounting Switches

# sälzer



**Product lines**  
H200-A/-B/-D

**Base mounting switch**

**Door interlock**

Metal shaft extension with fixed metal shaft, C = 120 mm

**Single hole mounting**

∅ 22,5 mm front

**313N1 (IP66)**

**313N4 (IP66)**

| Complete switch   | Poles   | Product lines | Rated data (IEC 60947)             |                               |            | Order code number            |
|---|---------|---------------|------------------------------------|-------------------------------|------------|------------------------------|
|   |         |               | Operational current I <sub>e</sub> | Operational power at 380–440V |            |                              |
|   |         |               | AC-21A<br>A                        | AC-23A<br>kW                  | AC-3<br>kW |                              |
| Main Switches<br>OFF position padlockable 12h               | 3 ... 8 | H200-A/-D     | 20                                 | 5,5                           | 3,7        | <b>H216 - 41 ... - 313N1</b> |
|   |         |               | 25                                 | 7,5                           | 5,5        | <b>H220 - 41 ... - 313N1</b> |
|   |         |               | 32                                 | 11                            | 7,5        | <b>H226 - 41 ... - 313N1</b> |
|   |         |               | 40                                 | 15                            | 11         | <b>H233 - 41 ... - 313N1</b> |
|   |         |               | 63                                 | 22                            | 18,5       | <b>H263 - 41 ... - 313N1</b> |
| Main/Emergency-Off Switches<br>OFF position padlockable 12h | 3 ... 8 | H200-A/-D     | 20                                 | 5,5                           | 3,7        | <b>H216 - 41 ... - 313N4</b> |
|   |         |               | 25                                 | 7,5                           | 5,5        | <b>H220 - 41 ... - 313N4</b> |
|   |         |               | 32                                 | 11                            | 7,5        | <b>H226 - 41 ... - 313N4</b> |
|   |         |               | 40                                 | 15                            | 11         | <b>H233 - 41 ... - 313N4</b> |
|   |         |               | 63                                 | 22                            | 18,5       | <b>H263 - 41 ... - 313N4</b> |
|   | 3 ... 4 | H200-B        |                                    |                               |            |                              |

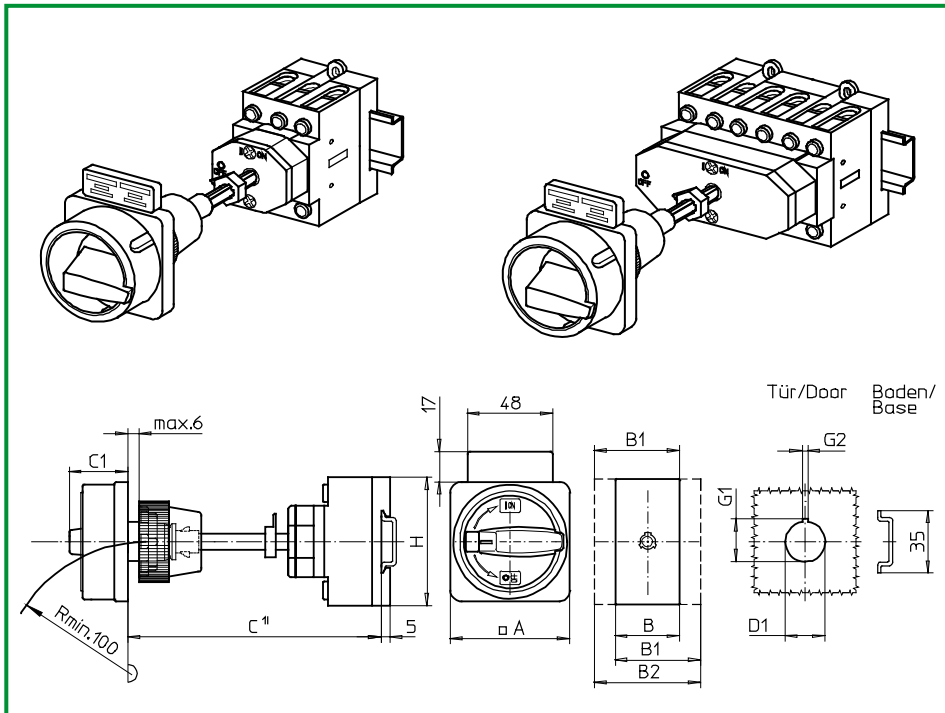
| SMD modules for basic switch A02   |                            |   |
|--|----------------------------|---|
| Mounting form module for 313N.   | H200-A<br>H200-B<br>H200-D | <b>BFA2 - 313</b><br><b>BFB2 - 313</b><br><b>BFC2 - 313</b> |
| N-padlock device 67 × 67 mm, mounting form 313N1<br>Escutcheon black, padlockable handle black | H200-A/-B/-D               | <b>2GN1</b>   |
| N-padlock device 67 × 67 mm, mounting form 313N4<br>Escutcheon yellow, padlockable handle red  |                            | <b>2GN4</b>   |
| Additional top escutcheon plate  |                            | <b>FAZ2 - 8041</b>  |

| Dimensions (mm) |    |    |    |    |     |    |      |      |     |    |
|-----------------|----|----|----|----|-----|----|------|------|-----|----|
| Product lines   | A  | B  | B1 | B2 | C   | C1 | D1   | G1   | G2  | H  |
| H200-A          | 67 | 36 | 48 | 60 | 120 | 33 | 22,5 | 24,2 | 3,2 | 70 |
| H200-B          | 67 | 50 | 69 | 88 | 120 | 33 | 22,5 | 24,2 | 3,2 | 72 |
| H200-D          | 67 | 72 | 84 | 96 | 120 | 33 | 22,5 | 24,2 | 3,2 | 70 |

C<sup>1</sup>) Internal depth, outside of door to top of DIN rail.

# Base Mounting Switches

# sälzer



**Product lines**  
H200-A/-B/-D

**Base mounting switch**

**Door interlock**

Metal shaft extension with fixed metal shaft, C = 125 mm

**Single hole mounting**

∅ 22,5 mm front

**314M1** (IP66)

**314M4** (IP66)

| Complete switch   | Poles   | Product lines | Rated data (IEC 60947)             |                               |            | Order code number            |
|---|---------|---------------|------------------------------------|-------------------------------|------------|------------------------------|
|   |         |               | Operational current I <sub>e</sub> | Operational power at 380–440V |            |                              |
|   |         |               | AC-21A<br>A                        | AC-23A<br>kW                  | AC-3<br>kW |                              |
| Main Switches<br>OFF position padlockable 09h               | 3 ... 8 | H200-A/-D     | 20                                 | 5,5                           | 3,7        | <b>H216 - 41 ... - 314M1</b> |
|   |         |               | 25                                 | 7,5                           | 5,5        | <b>H220 - 41 ... - 314M1</b> |
|   |         |               | 32                                 | 11                            | 7,5        | <b>H226 - 41 ... - 314M1</b> |
|   |         |               | 40                                 | 15                            | 11         | <b>H233 - 41 ... - 314M1</b> |
|   |         |               | 63                                 | 22                            | 18,5       | <b>H263 - 41 ... - 314M1</b> |
| Main/Emergency-Off Switches<br>OFF position padlockable 09h | 3 ... 8 | H200-A/-D     | 20                                 | 5,5                           | 3,7        | <b>H216 - 41 ... - 314M4</b> |
|   |         |               | 25                                 | 7,5                           | 5,5        | <b>H220 - 41 ... - 314M4</b> |
|   |         |               | 32                                 | 11                            | 7,5        | <b>H226 - 41 ... - 314M4</b> |
|   |         |               | 40                                 | 15                            | 11         | <b>H233 - 41 ... - 314M4</b> |
|   |         |               | 63                                 | 22                            | 18,5       | <b>H263 - 41 ... - 314M4</b> |
|   | 3 ... 4 | H200-B        |                                    |                               |            |                              |

## SMD modules for basic switch A02

Mounting form module for 314M.

H200-A  
H200-B  
H200-D

**BFA2 - 314**  
**BFB2 - 314**  
**BFC2 - 314**

M-padlock device 67 × 67 mm, mounting form 314M1  
Escutcheon black, padlockable handle black

H200-A/-B/-D

**2GM1**

M-padlock device 67 × 67 mm, mounting form 314M4  
Escutcheon yellow, padlockable handle red

**2GM4**

Additional top escutcheon plate

**FAZZ - 8041**

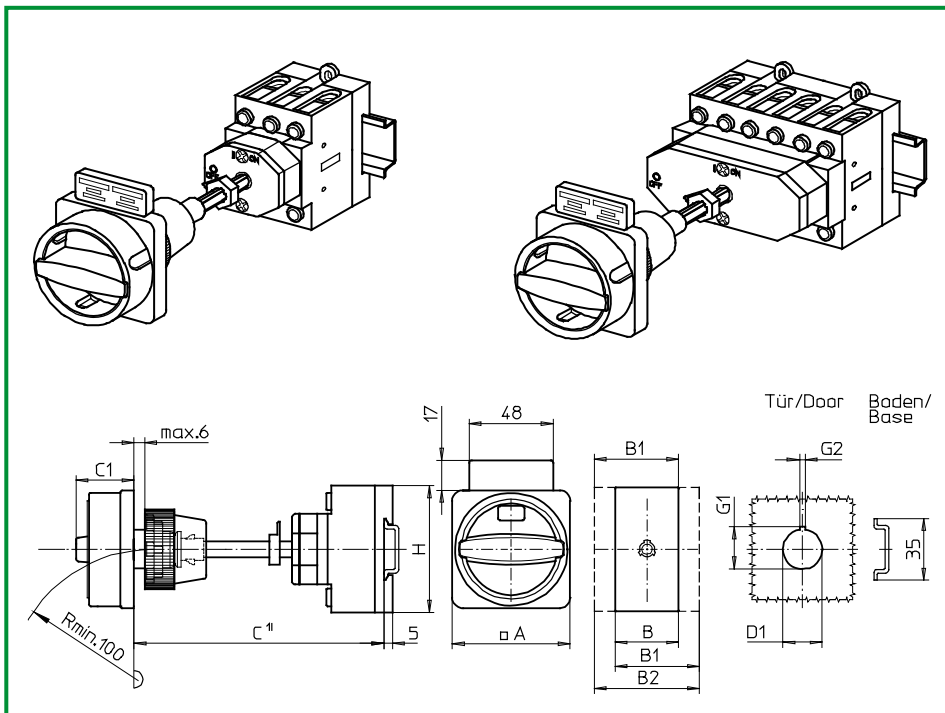
## Dimensions (mm)

| Product lines | A  | B  | B1 | B2 | C   | C1 | D1   | G1   | G2  | H  |
|---------------|----|----|----|----|-----|----|------|------|-----|----|
| H200-A        | 67 | 36 | 48 | 60 | 125 | 38 | 22,5 | 24,2 | 3,2 | 70 |
| H200-B        | 67 | 50 | 69 | 88 | 125 | 38 | 22,5 | 24,2 | 3,2 | 72 |
| H200-D        | 67 | 72 | 84 | 96 | 125 | 38 | 22,5 | 24,2 | 3,2 | 70 |

C<sup>1</sup>) Internal depth, outside of door to top of DIN rail.

# Base Mounting Switches

**sälzer**



**Product lines  
H200-A/-B/-D**

**Base mounting switch**

**Door interlock**

Metal shaft extension with fixed metal shaft, C = 125 mm

**Single hole mounting**

ø 22,5 mm front

**314N1 (IP66)**

**314N4 (IP66)**

| Complete switch   | Poles   | Product lines | Rated data (IEC 60947)             |                               |            | Order code number            |
|---|---------|---------------|------------------------------------|-------------------------------|------------|------------------------------|
|   |         |               | Operational current I <sub>e</sub> | Operational power at 380–440V |            |                              |
|   |         |               | AC-21A<br>A                        | AC-23A<br>kW                  | AC-3<br>kW |                              |
| Main Switches<br>OFF position padlockable 12h               | 3 ... 8 | H200-A/-D     | 20                                 | 5,5                           | 3,7        | <b>H216 - 41 ... - 314N1</b> |
|   |         |               | 25                                 | 7,5                           | 5,5        | <b>H220 - 41 ... - 314N1</b> |
|   |         |               | 32                                 | 11                            | 7,5        | <b>H226 - 41 ... - 314N1</b> |
|   |         |               | 40                                 | 15                            | 11         | <b>H233 - 41 ... - 314N1</b> |
|   |         |               | 63                                 | 22                            | 18,5       | <b>H263 - 41 ... - 314N1</b> |
| Main/Emergency-Off Switches<br>OFF position padlockable 12h | 3 ... 8 | H200-A/-D     | 20                                 | 5,5                           | 3,7        | <b>H216 - 41 ... - 314N4</b> |
|   |         |               | 25                                 | 7,5                           | 5,5        | <b>H220 - 41 ... - 314N4</b> |
|   |         |               | 32                                 | 11                            | 7,5        | <b>H226 - 41 ... - 314N4</b> |
|   |         |               | 40                                 | 15                            | 11         | <b>H233 - 41 ... - 314N4</b> |
|   |         |               | 63                                 | 22                            | 18,5       | <b>H263 - 41 ... - 314N4</b> |
|   | 3 ... 4 | H200-B        |                                    |                               |            |                              |

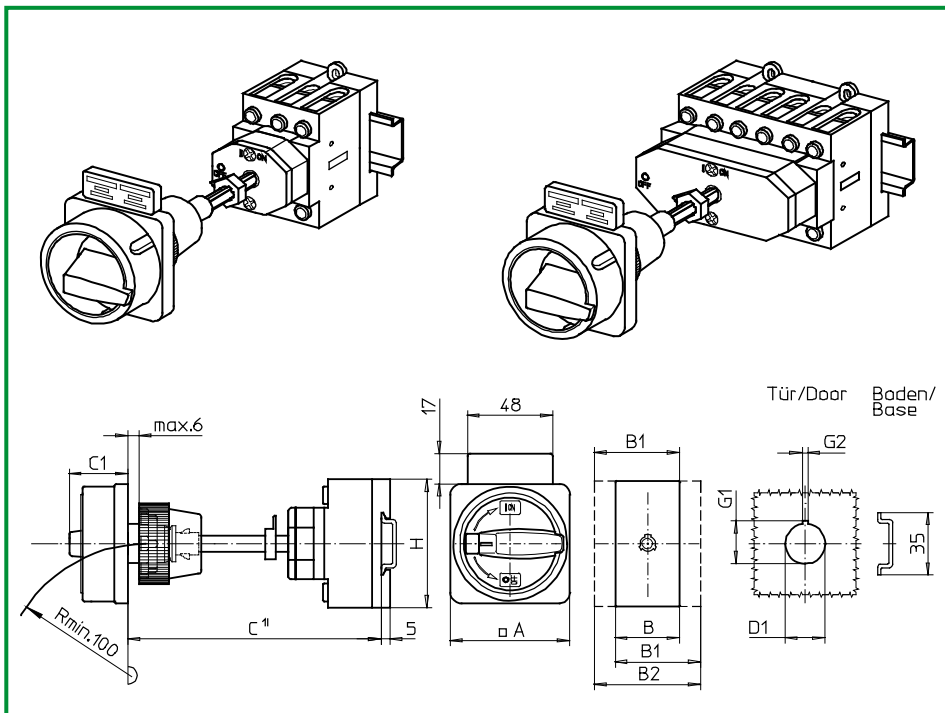
| SMD modules for basic switch A02   |  |                            |   |
|--|--|----------------------------|---|
| Mounting form module for 314N.   |  | H200-A<br>H200-B<br>H200-D | <b>BFA2 - 314</b><br><b>BFB2 - 314</b><br><b>BFC2 - 314</b> |
| N-padlock device 67 × 67 mm, mounting form 314N1<br>Escutcheon black, padlockable handle black |  | H200-A/-B/-D               | <b>2GN1</b>   |
| N-padlock device 67 × 67 mm, mounting form 314N4<br>Escutcheon yellow, padlockable handle red  |  |                            | <b>2GN4</b>   |
| Additional top escutcheon plate  |  |                            | <b>FAZ2 - 8041</b>  |

| Dimensions (mm) |    |    |    |    |     |    |      |      |     |    |
|-----------------|----|----|----|----|-----|----|------|------|-----|----|
| Product lines   | A  | B  | B1 | B2 | C   | C1 | D1   | G1   | G2  | H  |
| H200-A          | 67 | 36 | 48 | 60 | 125 | 33 | 22,5 | 24,2 | 3,2 | 70 |
| H200-B          | 67 | 50 | 69 | 88 | 125 | 33 | 22,5 | 24,2 | 3,2 | 72 |
| H200-D          | 67 | 72 | 84 | 96 | 125 | 33 | 22,5 | 24,2 | 3,2 | 70 |

C<sup>1</sup>) Internal depth, outside of door to top of DIN rail.

# Base Mounting Switches

# sälzer



**Product lines**  
H200-A/-B/-D

**Base mounting switch**

**Door interlock**

Metal shaft extension with fixed metal shaft, C = 130 mm

**Single hole mounting**

∅ 22,5 mm front

**315M1** (IP66)

**315M4** (IP66)

| Complete switch   | Poles   | Product lines | Rated data (IEC 60947)             |                               |            | Order code number            |
|---|---------|---------------|------------------------------------|-------------------------------|------------|------------------------------|
|   |         |               | Operational current I <sub>e</sub> | Operational power at 380–440V |            |                              |
|   |         |               | AC-21A<br>A                        | AC-23A<br>kW                  | AC-3<br>kW |                              |
| Main Switches<br>OFF position padlockable 09h               | 3 ... 8 | H200-A/-D     | 20                                 | 5,5                           | 3,7        | <b>H216 - 41 ... - 315M1</b> |
|   |         |               | 25                                 | 7,5                           | 5,5        | <b>H220 - 41 ... - 315M1</b> |
|   |         |               | 32                                 | 11                            | 7,5        | <b>H226 - 41 ... - 315M1</b> |
|   |         |               | 40                                 | 15                            | 11         | <b>H233 - 41 ... - 315M1</b> |
|   |         |               | 63                                 | 22                            | 18,5       | <b>H263 - 41 ... - 315M1</b> |
| Main/Emergency-Off Switches<br>OFF position padlockable 09h | 3 ... 8 | H200-A/-D     | 20                                 | 5,5                           | 3,7        | <b>H216 - 41 ... - 315M4</b> |
|   |         |               | 25                                 | 7,5                           | 5,5        | <b>H220 - 41 ... - 315M4</b> |
|   |         |               | 32                                 | 11                            | 7,5        | <b>H226 - 41 ... - 315M4</b> |
|   |         |               | 40                                 | 15                            | 11         | <b>H233 - 41 ... - 315M4</b> |
|   |         |               | 63                                 | 22                            | 18,5       | <b>H263 - 41 ... - 315M4</b> |
|   | 3 ... 4 | H200-B        |                                    |                               |            |                              |

| SMD modules for basic switch A02   |  |                            |   |
|--|--|----------------------------|---|
| Mounting form module for 315M.   |  | H200-A<br>H200-B<br>H200-D | <b>BFA2 - 315</b><br><b>BFB2 - 315</b><br><b>BFC2 - 315</b> |
| M-padlock device 67 × 67 mm, mounting form 315M1<br>Escutcheon black, padlockable handle black |  | H200-A/-B/-D               | <b>2GM1</b>   |
| M-padlock device 67 × 67 mm, mounting form 315M4<br>Escutcheon yellow, padlockable handle red  |  |                            | <b>2GM4</b>   |
| Additional top escutcheon plate  |  |                            | <b>FAZZ - 8041</b>  |

| Dimensions (mm) |    |    |    |    |     |    |      |      |     |    |
|-----------------|----|----|----|----|-----|----|------|------|-----|----|
| Product lines   | A  | B  | B1 | B2 | C   | C1 | D1   | G1   | G2  | H  |
| H200-A          | 67 | 36 | 48 | 60 | 130 | 38 | 22,5 | 24,2 | 3,2 | 70 |
| H200-B          | 67 | 50 | 69 | 88 | 130 | 38 | 22,5 | 24,2 | 3,2 | 72 |
| H200-D          | 67 | 72 | 84 | 96 | 130 | 38 | 22,5 | 24,2 | 3,2 | 70 |

C<sup>1</sup>) Internal depth, outside of door to top of DIN rail.

# Base Mounting Switches

# sälzer

**Product lines**  
H200-A/-B/-D

**Base mounting switch**

**Door interlock**

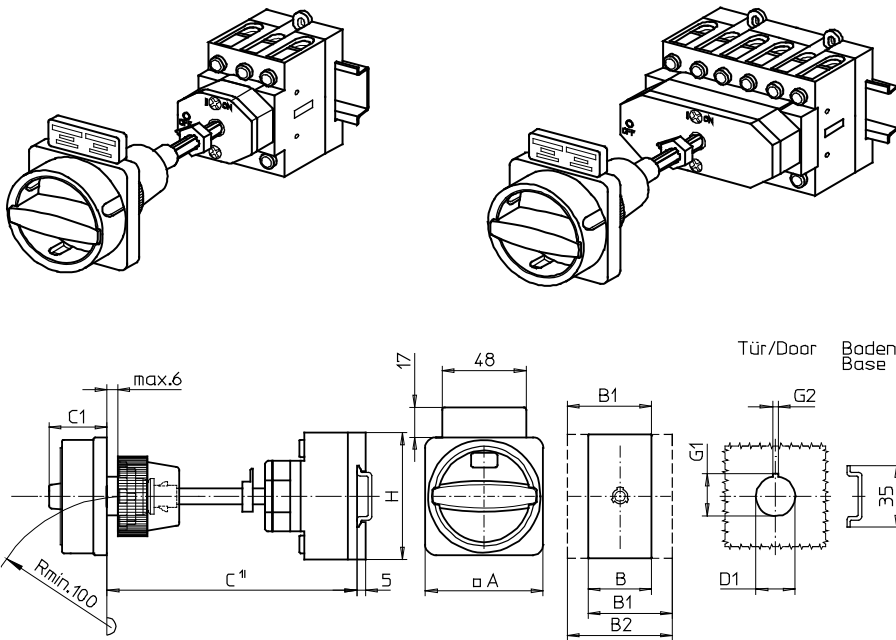
Metal shaft extension with fixed metal shaft, C = 130 mm

**Single hole mounting**

∅ 22,5 mm front

**315N1 (IP66)**

**315N4 (IP66)**



| Complete switch   | Poles   | Product lines | Rated data (IEC 60947)             |                               |            | Order code number            |
|---|---------|---------------|------------------------------------|-------------------------------|------------|------------------------------|
|   |         |               | Operational current I <sub>e</sub> | Operational power at 380–440V |            |                              |
|   |         |               | AC-21A<br>A                        | AC-23A<br>kW                  | AC-3<br>kW |                              |
| Main Switches<br>OFF position padlockable 12h               | 3 ... 8 | H200-A/-D     | 20                                 | 5,5                           | 3,7        | <b>H216 - 41 ... - 315N1</b> |
|   |         |               | 25                                 | 7,5                           | 5,5        | <b>H220 - 41 ... - 315N1</b> |
|   |         |               | 32                                 | 11                            | 7,5        | <b>H226 - 41 ... - 315N1</b> |
|   |         |               | 40                                 | 15                            | 11         | <b>H233 - 41 ... - 315N1</b> |
|   |         |               | 63                                 | 22                            | 18,5       | <b>H263 - 41 ... - 315N1</b> |
| Main/Emergency-Off Switches<br>OFF position padlockable 12h | 3 ... 8 | H200-A/-D     | 20                                 | 5,5                           | 3,7        | <b>H216 - 41 ... - 315N4</b> |
|   |         |               | 25                                 | 7,5                           | 5,5        | <b>H220 - 41 ... - 315N4</b> |
|   |         |               | 32                                 | 11                            | 7,5        | <b>H226 - 41 ... - 315N4</b> |
|   |         |               | 40                                 | 15                            | 11         | <b>H233 - 41 ... - 315N4</b> |
|   |         |               | 63                                 | 22                            | 18,5       | <b>H263 - 41 ... - 314N4</b> |

## SMD modules for basic switch A02

Mounting form module for 315N.

H200-A  
H200-B  
H200-D  
H200-A/-B/-D

**BFA2 - 315**  
**BFB2 - 315**  
**BFC2 - 315**  
**2GN1**

N-padlock device 67 × 67 mm, mounting form 315N1  
Escutcheon black, padlockable handle black

N-padlock device 67 × 67 mm, mounting form 315N4  
Escutcheon yellow, padlockable handle red

Additional top escutcheon plate

**2GN4**

**FAZ2 - 8041**

## Dimensions (mm)

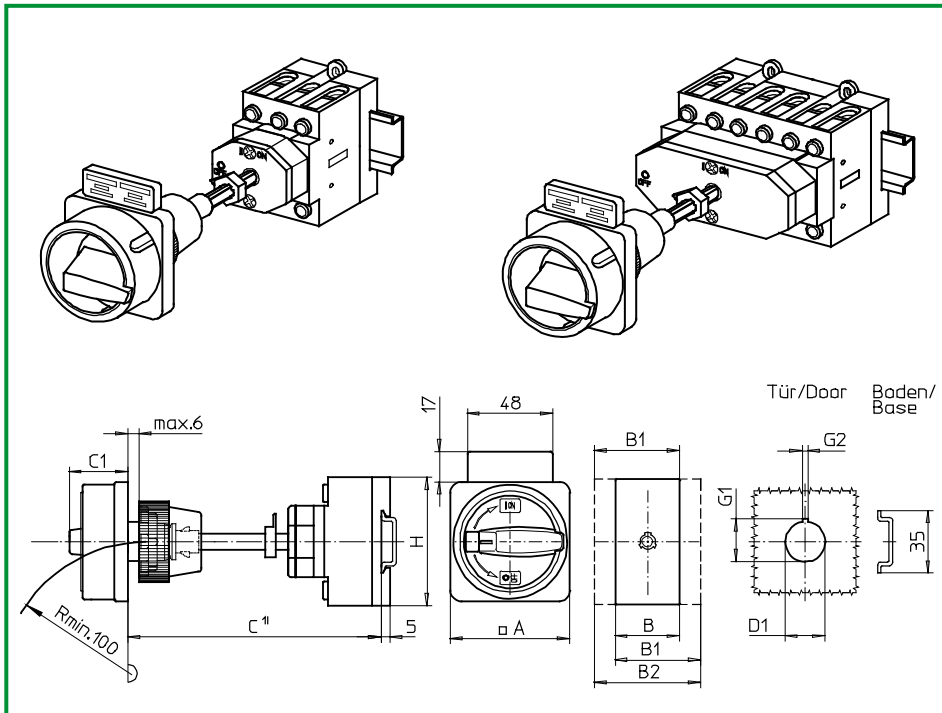
| Product lines | A  | B  | B1 | B2 | C   | C1 | D1   | G1   | G2  | H  |
|---------------|----|----|----|----|-----|----|------|------|-----|----|
| H200-A        | 67 | 36 | 48 | 60 | 130 | 33 | 22,5 | 24,2 | 3,2 | 70 |
| H200-B        | 67 | 50 | 69 | 88 | 130 | 33 | 22,5 | 24,2 | 3,2 | 72 |
| H200-D        | 67 | 72 | 84 | 96 | 130 | 33 | 22,5 | 24,2 | 3,2 | 70 |

C<sup>1</sup>) Internal depth, outside of door to top of DIN rail.



# Base Mounting Switches

# sälzer



**Product lines**  
H200-A/-B/-D

**Base mounting switch**

**Door interlock**

Metal shaft extension with fixed metal shaft, C = 135 mm

**Single hole mounting**

∅ 22,5 mm front

**316M1** (IP66)

**316M4** (IP66)

| Complete switch   | Poles   | Product lines | Rated data (IEC 60947)             |                               |            | Order code number            |
|---|---------|---------------|------------------------------------|-------------------------------|------------|------------------------------|
|   |         |               | Operational current I <sub>e</sub> | Operational power at 380–440V |            |                              |
|   |         |               | AC-21A<br>A                        | AC-23A<br>kW                  | AC-3<br>kW |                              |
| Main Switches<br>OFF position padlockable 09h               | 3 ... 8 | H200-A/-D     | 20                                 | 5,5                           | 3,7        | <b>H216 - 41 ... - 316M1</b> |
|   |         |               | 25                                 | 7,5                           | 5,5        | <b>H220 - 41 ... - 316M1</b> |
|   |         |               | 32                                 | 11                            | 7,5        | <b>H226 - 41 ... - 316M1</b> |
|   |         |               | 40                                 | 15                            | 11         | <b>H233 - 41 ... - 316M1</b> |
|   |         |               | 63                                 | 22                            | 18,5       | <b>H263 - 41 ... - 316M1</b> |
| Main/Emergency-Off Switches<br>OFF position padlockable 09h | 3 ... 8 | H200-A/-D     | 20                                 | 5,5                           | 3,7        | <b>H216 - 41 ... - 316M4</b> |
|   |         |               | 25                                 | 7,5                           | 5,5        | <b>H220 - 41 ... - 316M4</b> |
|   |         |               | 32                                 | 11                            | 7,5        | <b>H226 - 41 ... - 316M4</b> |
|   |         |               | 40                                 | 15                            | 11         | <b>H233 - 41 ... - 316M4</b> |
|   |         |               | 63                                 | 22                            | 18,5       | <b>H263 - 41 ... - 316M4</b> |
|   | 3 ... 4 | H200-B        |                                    |                               |            |                              |

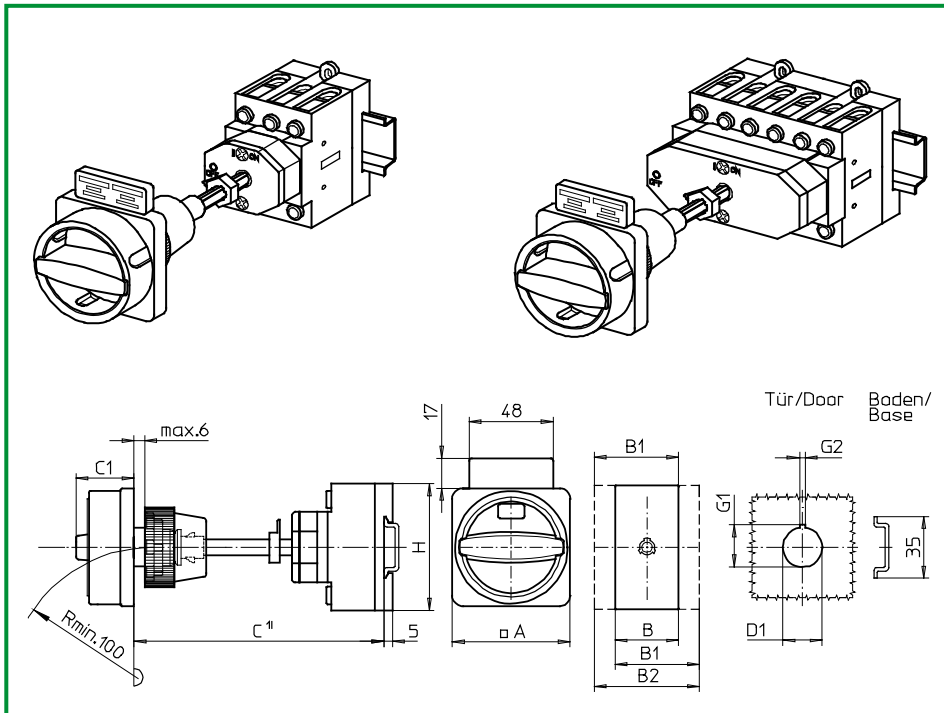
| SMD modules for basic switch A02   |  |                            |   |
|--|--|----------------------------|---|
| Mounting form module for 316M.   |  | H200-A<br>H200-B<br>H200-D | <b>BFA2 - 316</b><br><b>BFB2 - 316</b><br><b>BFC2 - 316</b> |
| M-padlock device 67 × 67 mm, mounting form 316M1<br>Escutcheon black, padlockable handle black |  | H200-A/-B/-D               | <b>2GM1</b>   |
| M-padlock device 67 × 67 mm, mounting form 316M4<br>Escutcheon yellow, padlockable handle red  |  |                            | <b>2GM4</b>   |
| Additional top escutcheon plate  |  |                            | <b>FAZZ - 8041</b>  |

| Dimensions (mm) |    |    |    |    |     |    |      |      |     |    |
|-----------------|----|----|----|----|-----|----|------|------|-----|----|
| Product lines   | A  | B  | B1 | B2 | C   | C1 | D1   | G1   | G2  | H  |
| H200-A          | 67 | 36 | 48 | 60 | 135 | 38 | 22,5 | 24,2 | 3,2 | 70 |
| H200-B          | 67 | 50 | 69 | 88 | 135 | 38 | 22,5 | 24,2 | 3,2 | 72 |
| H200-D          | 67 | 72 | 84 | 96 | 135 | 38 | 22,5 | 24,2 | 3,2 | 70 |

**C<sup>1</sup>) Internal depth, outside of door to top of DIN rail.**

# Base Mounting Switches

# sälzer



**Product lines**  
H200-A/-B/-D

**Base mounting switch**

**Door interlock**

Metal shaft extension with fixed metal shaft, C = 135 mm

**Single hole mounting**

∅ 22,5 mm front

**316N1** (IP66)

**316N4** (IP66)

| Complete switch   | Poles   | Product lines | Rated data (IEC 60947)             |                               |            | Order code number            |
|---|---------|---------------|------------------------------------|-------------------------------|------------|------------------------------|
|   |         |               | Operational current I <sub>e</sub> | Operational power at 380–440V |            |                              |
|   |         |               | AC-21A<br>A                        | AC-23A<br>kW                  | AC-3<br>kW |                              |
| Main Switches<br>OFF position padlockable 12h               | 3 ... 8 | H200-A/-D     | 20                                 | 5,5                           | 3,7        | <b>H216 - 41 ... - 316N1</b> |
|   |         |               | 25                                 | 7,5                           | 5,5        | <b>H220 - 41 ... - 316N1</b> |
|   |         |               | 32                                 | 11                            | 7,5        | <b>H226 - 41 ... - 316N1</b> |
|   |         |               | 40                                 | 15                            | 11         | <b>H233 - 41 ... - 316N1</b> |
|   |         |               | 63                                 | 22                            | 18,5       | <b>H263 - 41 ... - 316N1</b> |
| Main/Emergency-Off Switches<br>OFF position padlockable 12h | 3 ... 8 | H200-A/-D     | 20                                 | 5,5                           | 3,7        | <b>H216 - 41 ... - 316N4</b> |
|   |         |               | 25                                 | 7,5                           | 5,5        | <b>H220 - 41 ... - 316N4</b> |
|   |         |               | 32                                 | 11                            | 7,5        | <b>H226 - 41 ... - 316N4</b> |
|   |         |               | 40                                 | 15                            | 11         | <b>H233 - 41 ... - 316N4</b> |
|   |         |               | 63                                 | 22                            | 18,5       | <b>H263 - 41 ... - 316N4</b> |

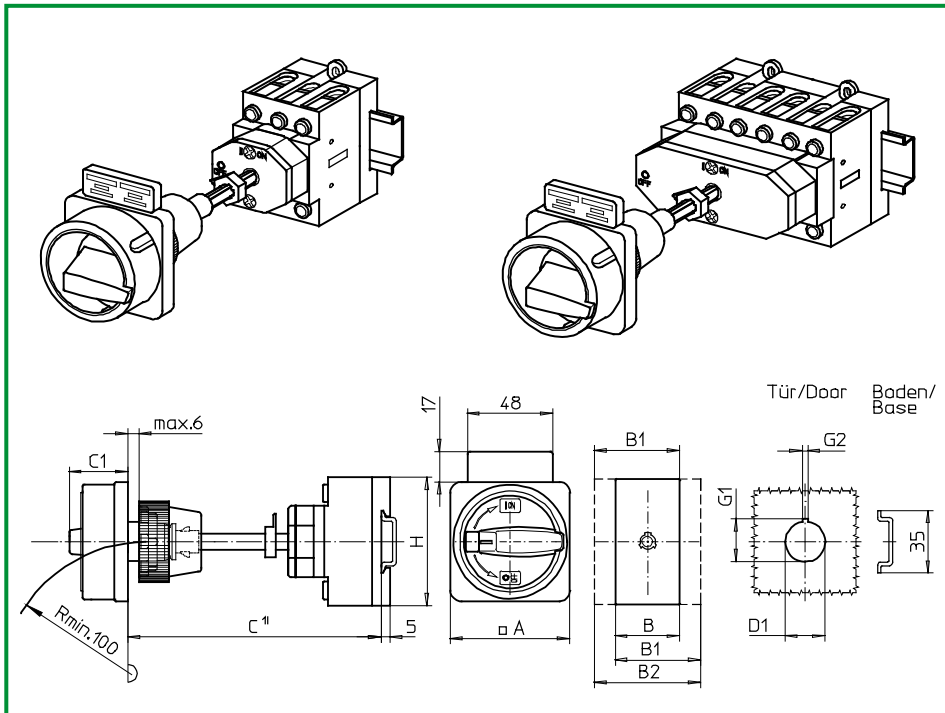
| SMD modules for basic switch A02   |                            |   |
|--|----------------------------|---|
| Mounting form module for 316N.   | H200-A<br>H200-B<br>H200-D | <b>BFA2 - 316</b><br><b>BFB2 - 316</b><br><b>BFC2 - 316</b> |
| N-padlock device 67 × 67 mm, mounting form 316N1<br>Escutcheon black, padlockable handle black | H200-A/-B/-D               | <b>2GN1</b>   |
| N-padlock device 67 × 67 mm, mounting form 316N4<br>Escutcheon yellow, padlockable handle red  |                            | <b>2GN4</b>   |
| Additional top escutcheon plate  |                            | <b>FAZ2 - 8041</b>  |

| Dimensions (mm) |    |    |    |    |     |    |      |      |     |    |
|-----------------|----|----|----|----|-----|----|------|------|-----|----|
| Product lines   | A  | B  | B1 | B2 | C   | C1 | D1   | G1   | G2  | H  |
| H200-A          | 67 | 36 | 48 | 60 | 135 | 33 | 22,5 | 24,2 | 3,2 | 70 |
| H200-B          | 67 | 50 | 69 | 88 | 135 | 33 | 22,5 | 24,2 | 3,2 | 72 |
| H200-D          | 67 | 72 | 84 | 96 | 135 | 33 | 22,5 | 24,2 | 3,2 | 70 |

**C<sup>1</sup>) Internal depth, outside of door to top of DIN rail.**

# Base Mounting Switches

# sälzer



**Product lines**  
H200-A/-B/-D

**Base mounting switch**

**Door interlock**

Metal shaft extension with fixed metal shaft, C = 140 mm

**Single hole mounting**

∅ 22,5 mm front

**317M1** (IP66)

**317M4** (IP66)

| Complete switch   | Poles   | Product lines | Rated data (IEC 60947)             |                               |            | Order code number            |
|---|---------|---------------|------------------------------------|-------------------------------|------------|------------------------------|
|   |         |               | Operational current I <sub>e</sub> | Operational power at 380–440V |            |                              |
|   |         |               | AC-21A<br>A                        | AC-23A<br>kW                  | AC-3<br>kW |                              |
| Main Switches<br>OFF position padlockable 09h               | 3 ... 8 | H200-A/-D     | 20                                 | 5,5                           | 3,7        | <b>H216 - 41 ... - 317M1</b> |
|   |         |               | 25                                 | 7,5                           | 5,5        | <b>H220 - 41 ... - 317M1</b> |
|   |         |               | 32                                 | 11                            | 7,5        | <b>H226 - 41 ... - 317M1</b> |
|   |         |               | 40                                 | 15                            | 11         | <b>H233 - 41 ... - 317M1</b> |
|   |         |               | 63                                 | 22                            | 18,5       | <b>H263 - 41 ... - 317M1</b> |
| Main/Emergency-Off Switches<br>OFF position padlockable 09h | 3 ... 8 | H200-A/-D     | 20                                 | 5,5                           | 3,7        | <b>H216 - 41 ... - 317M4</b> |
|   |         |               | 25                                 | 7,5                           | 5,5        | <b>H220 - 41 ... - 317M4</b> |
|   |         |               | 32                                 | 11                            | 7,5        | <b>H226 - 41 ... - 317M4</b> |
|   |         |               | 40                                 | 15                            | 11         | <b>H233 - 41 ... - 317M4</b> |
|   |         |               | 63                                 | 22                            | 18,5       | <b>H263 - 41 ... - 317M4</b> |
|   | 3 ... 4 | H200-B        |                                    |                               |            |                              |

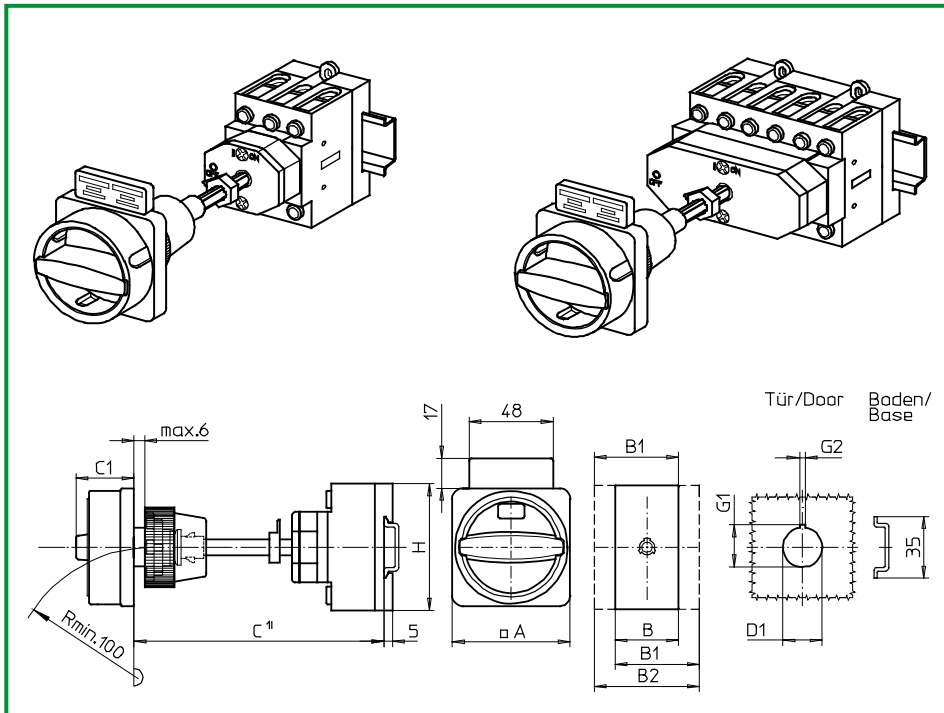
| SMD modules for basic switch A02   |                            |   |
|--|----------------------------|---|
| Mounting form module for 317M.   | H200-A<br>H200-B<br>H200-D | <b>BFA2 - 317</b><br><b>BFB2 - 317</b><br><b>BFC2 - 317</b> |
| M-padlock device 67 × 67 mm, mounting form 317M1<br>Escutcheon black, padlockable handle black | H200-A/-B/-D               | <b>2GM1</b>   |
| M-padlock device 67 × 67 mm, mounting form 317M4<br>Escutcheon yellow, padlockable handle red  |                            | <b>2GM4</b>   |
| Additional top escutcheon plate  |                            | <b>FAZZ - 8041</b>  |

| Dimensions (mm) |    |    |    |    |     |    |      |      |     |    |
|-----------------|----|----|----|----|-----|----|------|------|-----|----|
| Product lines   | A  | B  | B1 | B2 | C   | C1 | D1   | G1   | G2  | H  |
| H200-A          | 67 | 36 | 48 | 60 | 140 | 38 | 22,5 | 24,2 | 3,2 | 70 |
| H200-B          | 67 | 50 | 69 | 88 | 140 | 38 | 22,5 | 24,2 | 3,2 | 72 |
| H200-D          | 67 | 72 | 84 | 96 | 140 | 38 | 22,5 | 24,2 | 3,2 | 70 |

C<sup>1</sup>) Internal depth, outside of door to top of DIN rail.

# Base Mounting Switches

# sälzer



**Product lines**  
H200-A/-B/-D

**Base mounting switch**

**Door interlock**

Metal shaft extension with fixed metal shaft, C = 140 mm

**Single hole mounting**

∅ 22,5 mm front

**317N1 (IP66)**

**317N4 (IP66)**

| Complete switch   | Poles   | Product lines | Rated data (IEC 60947)             |                               |            | Order code number            |
|---|---------|---------------|------------------------------------|-------------------------------|------------|------------------------------|
|   |         |               | Operational current I <sub>e</sub> | Operational power at 380–440V |            |                              |
|   |         |               | AC-21A<br>A                        | AC-23A<br>kW                  | AC-3<br>kW |                              |
| Main Switches<br>OFF position padlockable 12h               | 3 ... 8 | H200-A/-D     | 20                                 | 5,5                           | 3,7        | <b>H216 - 41 ... - 317N1</b> |
|   |         |               | 25                                 | 7,5                           | 5,5        | <b>H220 - 41 ... - 317N1</b> |
|   |         |               | 32                                 | 11                            | 7,5        | <b>H226 - 41 ... - 317N1</b> |
|   |         |               | 40                                 | 15                            | 11         | <b>H233 - 41 ... - 317N1</b> |
|   |         |               | 63                                 | 22                            | 18,5       | <b>H263 - 41 ... - 317N1</b> |
| Main/Emergency-Off Switches<br>OFF position padlockable 12h | 3 ... 8 | H200-A/-D     | 20                                 | 5,5                           | 3,7        | <b>H216 - 41 ... - 317N4</b> |
|   |         |               | 25                                 | 7,5                           | 5,5        | <b>H220 - 41 ... - 317N4</b> |
|   |         |               | 32                                 | 11                            | 7,5        | <b>H226 - 41 ... - 317N4</b> |
|   |         |               | 40                                 | 15                            | 11         | <b>H233 - 41 ... - 317N4</b> |
|   |         |               | 63                                 | 22                            | 18,5       | <b>H263 - 41 ... - 317N4</b> |
|   | 3 ... 4 | H200-B        |                                    |                               |            |                              |

| SMD modules for basic switch A02   |  |                            |   |
|--|--|----------------------------|---|
| Mounting form module for 317N.   |  | H200-A<br>H200-B<br>H200-D | <b>BFA2 - 317</b><br><b>BFB2 - 317</b><br><b>BFC2 - 317</b> |
| N-padlock device 67 × 67 mm, mounting form 317N1<br>Escutcheon black, padlockable handle black |  | H200-A/-B/-D               | <b>2GN1</b>   |
| N-padlock device 67 × 67 mm, mounting form 317N4<br>Escutcheon yellow, padlockable handle red  |  |                            | <b>2GN4</b>   |
| Additional top escutcheon plate  |  |                            | <b>FAZ2 - 8041</b>  |

| Dimensions (mm) |    |    |    |    |     |    |      |      |     |    |
|-----------------|----|----|----|----|-----|----|------|------|-----|----|
| Product lines   | A  | B  | B1 | B2 | C   | C1 | D1   | G1   | G2  | H  |
| H200-A          | 67 | 36 | 48 | 60 | 140 | 33 | 22,5 | 24,2 | 3,2 | 70 |
| H200-B          | 67 | 50 | 69 | 88 | 140 | 33 | 22,5 | 24,2 | 3,2 | 72 |
| H200-D          | 67 | 72 | 84 | 96 | 140 | 33 | 22,5 | 24,2 | 3,2 | 70 |

C<sup>1</sup>) Internal depth, outside of door to top of DIN rail.

# Base Mounting Switches

# sälzer

**Product lines**  
H200-A/-B/-D

**Base mounting switch**

**Door interlock**

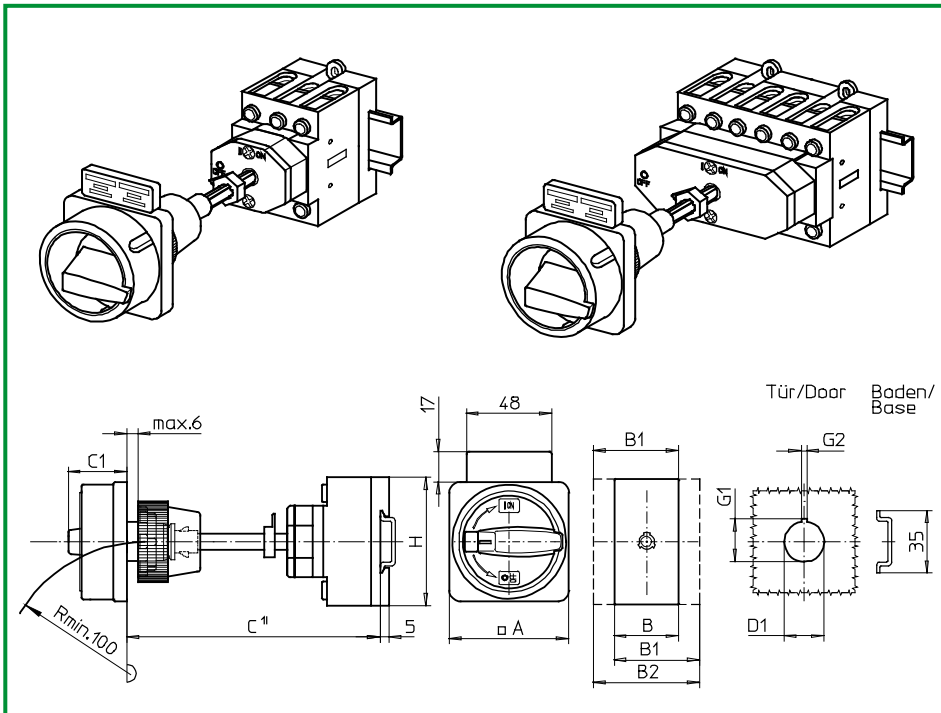
Metal shaft extension with fixed metal shaft, C = 145 mm

**Single hole mounting**

∅ 22,5 mm front

**318M1** (IP66)

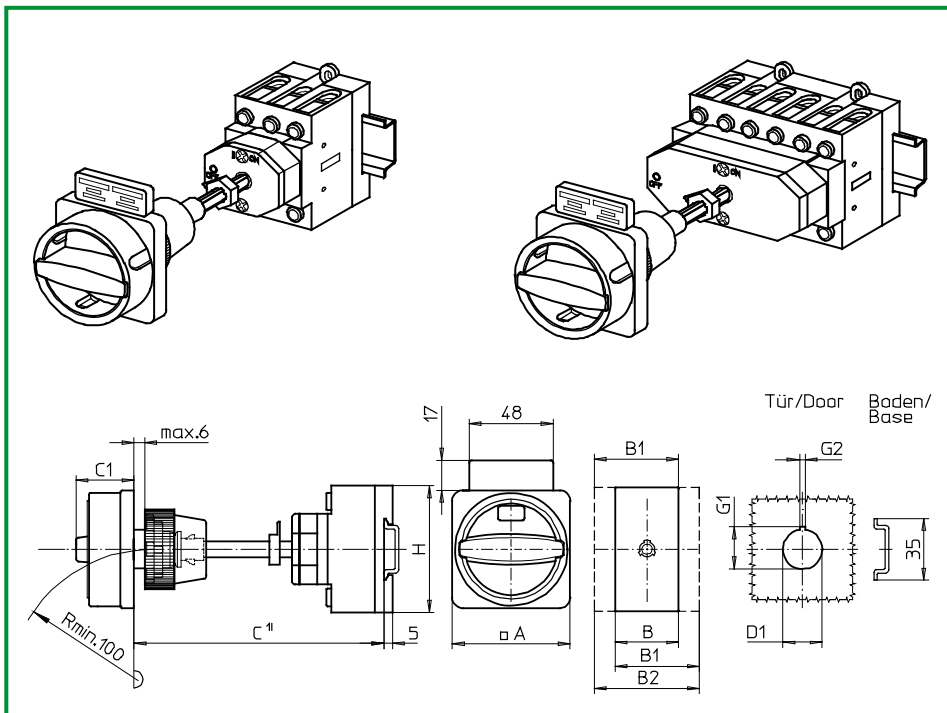
**318M4** (IP66)



| Complete switch  | Poles    | Product lines | Rated data (IEC 60947)             |                               |            | Order code number   |           |           |           |          |
|--|----------|---------------|------------------------------------|-------------------------------|------------|---|-----------|-----------|-----------|----------|
|  |          |               | Operational current I <sub>e</sub> | Operational power at 380–440V |            |   |           |           |           |          |
|  |          |               | AC-21A<br>A                        | AC-23A<br>kW                  | AC-3<br>kW |   |           |           |           |          |
| Main Switches<br>OFF position padlockable 09h  | 3 ... 8  | H200-A/-D     | 20                                 | 5,5                           | 3,7        | <b>H216 - 41 ... - 318M1</b>                                |           |           |           |          |
|  |          |               | 25                                 | 7,5                           | 5,5        | <b>H220 - 41 ... - 318M1</b>                                |           |           |           |          |
|  |          |               | 32                                 | 11                            | 7,5        | <b>H226 - 41 ... - 318M1</b>                                |           |           |           |          |
|  |          |               | 40                                 | 15                            | 11         | <b>H233 - 41 ... - 318M1</b>                                |           |           |           |          |
|  | 3 ... 4  | H200-B        | 63                                 | 22                            | 18,5       | <b>H263 - 41 ... - 318M1</b>                                |           |           |           |          |
| Main/Emergency-Off Switches<br>OFF position padlockable 09h                                    | 3 ... 8  | H200-A/-D     | 20                                 | 5,5                           | 3,7        | <b>H216 - 41 ... - 318M4</b>                                |           |           |           |          |
|  |          |               | 25                                 | 7,5                           | 5,5        | <b>H220 - 41 ... - 318M4</b>                                |           |           |           |          |
|  |          |               | 32                                 | 11                            | 7,5        | <b>H226 - 41 ... - 318M4</b>                                |           |           |           |          |
|  |          |               | 40                                 | 15                            | 11         | <b>H233 - 41 ... - 318M4</b>                                |           |           |           |          |
|  | 3 ... 4  | H200-B        | 63                                 | 22                            | 18,5       | <b>H263 - 41 ... - 318M4</b>                                |           |           |           |          |
| <b>SMD modules for basic switch A02</b>  |          |               |                                    |                               |            |   |           |           |           |          |
| Mounting form module for 318M.   |          |               | H200-A<br>H200-B<br>H200-D         |                               |            | <b>BFA2 - 318</b><br><b>BFB2 - 318</b><br><b>BFC2 - 318</b> |           |           |           |          |
| M-padlock device 67 × 67 mm, mounting form 318M1<br>Escutcheon black, padlockable handle black |          |               | H200-A/-B/-D                       |                               |            | <b>2GM1</b>   |           |           |           |          |
| M-padlock device 67 × 67 mm, mounting form 318M4<br>Escutcheon yellow, padlockable handle red  |          |               |                                    |                               |            | <b>2GM4</b>   |           |           |           |          |
| Additional top escutcheon plate  |          |               |                                    |                               |            | <b>FAZZ - 8041</b>  |           |           |           |          |
| <b>Dimensions (mm)</b>   |          |               |                                    |                               |            |   |           |           |           |          |
| <b>Product lines</b>   | <b>A</b> | <b>B</b>      | <b>B1</b>                          | <b>B2</b>                     | <b>C</b>   | <b>C1</b>   | <b>D1</b> | <b>G1</b> | <b>G2</b> | <b>H</b> |
| H200-A   | 67       | 36            | 48                                 | 60                            | 145        | 38  | 22,5      | 24,2      | 3,2       | 70       |
| H200-B   | 67       | 50            | 69                                 | 88                            | 145        | 38  | 22,5      | 24,2      | 3,2       | 72       |
| H200-D   | 67       | 72            | 84                                 | 96                            | 145        | 38  | 22,5      | 24,2      | 3,2       | 70       |
| <b>C<sup>1</sup>) Internal depth, outside of door to top of DIN rail.</b>                      |          |               |                                    |                               |            |   |           |           |           |          |

# Base Mounting Switches

# sälzer



**Product lines**  
H200-A/-B/-D

**Base mounting switch**

**Door interlock**  
Metal shaft extension with fixed metal shaft, C = 145 mm

**Single hole mounting**  
ø 22,5 mm front

**318N1** (IP66)

**318N4** (IP66)

| Complete switch   | Poles   | Product lines | Rated data (IEC 60947)             |                               |            | Order code number            |
|---|---------|---------------|------------------------------------|-------------------------------|------------|------------------------------|
|   |         |               | Operational current I <sub>e</sub> | Operational power at 380–440V |            |                              |
|   |         |               | AC-21A<br>A                        | AC-23A<br>kW                  | AC-3<br>kW |                              |
| Main Switches<br>OFF position padlockable 12h               | 3 ... 8 | H200-A/-D     | 20                                 | 5,5                           | 3,7        | <b>H216 - 41 ... - 318N1</b> |
|   |         |               | 25                                 | 7,5                           | 5,5        | <b>H220 - 41 ... - 318N1</b> |
|   |         |               | 32                                 | 11                            | 7,5        | <b>H226 - 41 ... - 318N1</b> |
|   |         |               | 40                                 | 15                            | 11         | <b>H233 - 41 ... - 318N1</b> |
|   |         |               | 63                                 | 22                            | 18,5       | <b>H263 - 41 ... - 318N1</b> |
| Main/Emergency-Off Switches<br>OFF position padlockable 12h | 3 ... 8 | H200-A/-D     | 20                                 | 5,5                           | 3,7        | <b>H216 - 41 ... - 318N4</b> |
|   |         |               | 25                                 | 7,5                           | 5,5        | <b>H220 - 41 ... - 318N4</b> |
|   |         |               | 32                                 | 11                            | 7,5        | <b>H226 - 41 ... - 318N4</b> |
|   |         |               | 40                                 | 15                            | 11         | <b>H233 - 41 ... - 318N4</b> |
|   |         |               | 63                                 | 22                            | 18,5       | <b>H263 - 41 ... - 318N4</b> |
|   | 3 ... 4 | H200-B        |                                    |                               |            |                              |

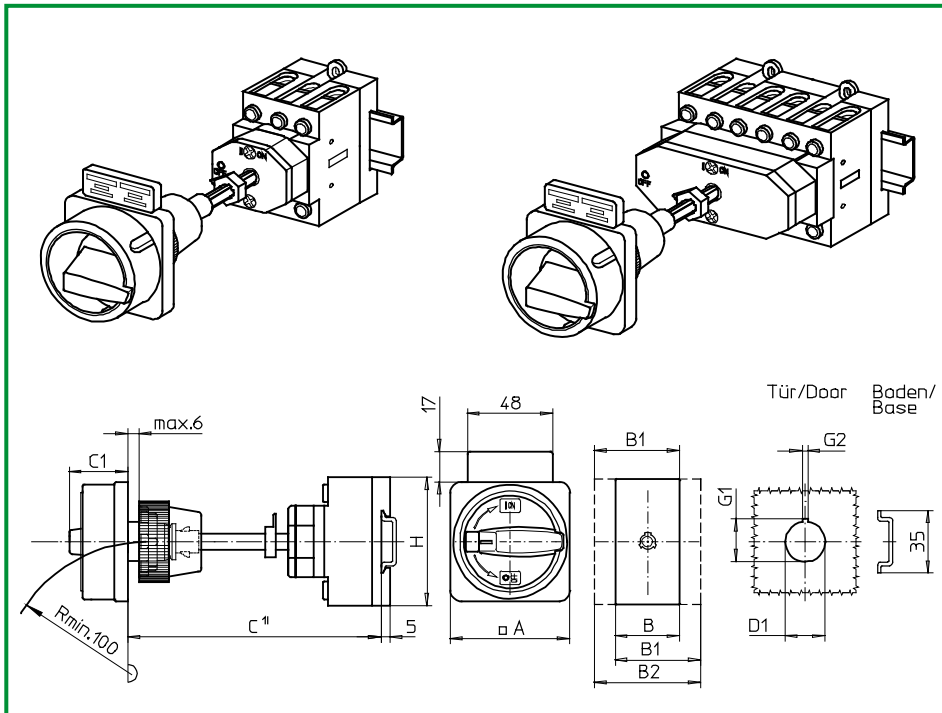
| SMD modules for basic switch A02   |                            |   |
|--|----------------------------|---|
| Mounting form module for 318N.   | H200-A<br>H200-B<br>H200-D | <b>BFA2 - 318</b><br><b>BFB2 - 318</b><br><b>BFC2 - 318</b> |
| N-padlock device 67 × 67 mm, mounting form 318N1<br>Escutcheon black, padlockable handle black | H200-A/-B/-D               | <b>2GN1</b>   |
| N-padlock device 67 × 67 mm, mounting form 318N4<br>Escutcheon yellow, padlockable handle red  |                            | <b>2GN4</b>   |
| Additional top escutcheon plate  |                            | <b>FAZ2 - 8041</b>  |

| Dimensions (mm) |    |    |    |    |     |    |      |      |     |    |
|-----------------|----|----|----|----|-----|----|------|------|-----|----|
| Product lines   | A  | B  | B1 | B2 | C   | C1 | D1   | G1   | G2  | H  |
| H200-A          | 67 | 36 | 48 | 60 | 145 | 33 | 22,5 | 24,2 | 3,2 | 70 |
| H200-B          | 67 | 50 | 69 | 88 | 145 | 33 | 22,5 | 24,2 | 3,2 | 72 |
| H200-D          | 67 | 72 | 84 | 96 | 145 | 33 | 22,5 | 24,2 | 3,2 | 70 |

C<sup>1</sup>) Internal depth, outside of door to top of DIN rail.

# Base Mounting Switches

# sälzer



**Product lines**  
H200-A/-B/-D

**Base mounting switch**

**Door interlock**

Metal shaft extension with fixed metal shaft, C = 150 mm

**Single hole mounting**

ø 22,5 mm front

**319M1** (IP66)

**319M4** (IP66)

| Complete switch   | Poles   | Product lines | Rated data (IEC 60947)             |                               |            | Order code number            |
|---|---------|---------------|------------------------------------|-------------------------------|------------|------------------------------|
|   |         |               | Operational current I <sub>e</sub> | Operational power at 380–440V |            |                              |
|   |         |               | AC-21A<br>A                        | AC-23A<br>kW                  | AC-3<br>kW |                              |
| Main Switches<br>OFF position padlockable 09h               | 3 ... 8 | H200-A/-D     | 20                                 | 5,5                           | 3,7        | <b>H216 - 41 ... - 319M1</b> |
|   |         |               | 25                                 | 7,5                           | 5,5        | <b>H220 - 41 ... - 319M1</b> |
|   |         |               | 32                                 | 11                            | 7,5        | <b>H226 - 41 ... - 319M1</b> |
|   |         |               | 40                                 | 15                            | 11         | <b>H233 - 41 ... - 319M1</b> |
|   |         |               | 63                                 | 22                            | 18,5       | <b>H263 - 41 ... - 319M1</b> |
| Main/Emergency-Off Switches<br>OFF position padlockable 09h | 3 ... 8 | H200-A/-D     | 20                                 | 5,5                           | 3,7        | <b>H216 - 41 ... - 319M4</b> |
|   |         |               | 25                                 | 7,5                           | 5,5        | <b>H220 - 41 ... - 319M4</b> |
|   |         |               | 32                                 | 11                            | 7,5        | <b>H226 - 41 ... - 319M4</b> |
|   |         |               | 40                                 | 15                            | 11         | <b>H233 - 41 ... - 319M4</b> |
|   |         |               | 63                                 | 22                            | 18,5       | <b>H263 - 41 ... - 319M4</b> |
|   | 3 ... 4 | H200-B        |                                    |                               |            |                              |

## SMD modules for basic switch A02

Mounting form module for 319M.

H200-A  
H200-B  
H200-D

**BFA2 - 319**  
**BFB2 - 319**  
**BFC2 - 319**

M-padlock device 67 × 67 mm, mounting form 319M1  
Escutcheon black, padlockable handle black

H200-A/-B/-D

**2GM1**

M-padlock device 67 × 67 mm, mounting form 319M4  
Escutcheon yellow, padlockable handle red

**2GM4**

Additional top escutcheon plate

**FAZZ - 8041**

## Dimensions (mm)

| Product lines | A  | B  | B1 | B2 | C   | C1 | D1   | G1   | G2  | H  |
|---------------|----|----|----|----|-----|----|------|------|-----|----|
| H200-A        | 67 | 36 | 48 | 60 | 150 | 38 | 22,5 | 24,2 | 3,2 | 70 |
| H200-B        | 67 | 50 | 69 | 88 | 150 | 38 | 22,5 | 24,2 | 3,2 | 72 |
| H200-D        | 67 | 72 | 84 | 96 | 150 | 38 | 22,5 | 24,2 | 3,2 | 70 |

C<sup>1</sup>) Internal depth, outside of door to top of DIN rail.

# Base Mounting Switches

**sälzer**

**Product lines  
H200-A/-B/-D**

**Base mounting switch**

**Door interlock**

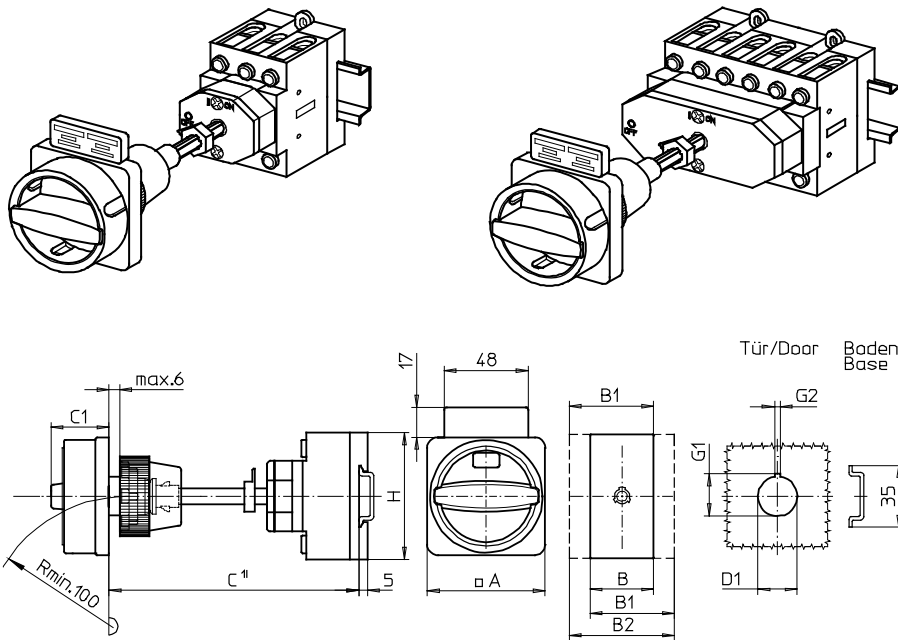
Metal shaft extension with fixed metal shaft, C = 150 mm

**Single hole mounting**

ø 22,5 mm front

**319N1 (IP66)**

**319N4 (IP66)**



| Complete switch   | Poles   | Product lines | Rated data (IEC 60947)             |                               |            | Order code number            |
|---|---------|---------------|------------------------------------|-------------------------------|------------|------------------------------|
|   |         |               | Operational current I <sub>e</sub> | Operational power at 380–440V |            |                              |
|   |         |               | AC-21A<br>A                        | AC-23A<br>kW                  | AC-3<br>kW |                              |
| Main Switches<br>OFF position padlockable 12h               | 3 ... 8 | H200-A/-D     | 20                                 | 5,5                           | 3,7        | <b>H216 - 41 ... - 319N1</b> |
|   |         |               | 25                                 | 7,5                           | 5,5        | <b>H220 - 41 ... - 319N1</b> |
|   |         |               | 32                                 | 11                            | 7,5        | <b>H226 - 41 ... - 319N1</b> |
|   |         |               | 40                                 | 15                            | 11         | <b>H233 - 41 ... - 319N1</b> |
|   |         |               | 63                                 | 22                            | 18,5       | <b>H263 - 41 ... - 319N1</b> |
| Main/Emergency-Off Switches<br>OFF position padlockable 12h | 3 ... 8 | H200-A/-D     | 20                                 | 5,5                           | 3,7        | <b>H216 - 41 ... - 319N4</b> |
|   |         |               | 25                                 | 7,5                           | 5,5        | <b>H220 - 41 ... - 319N4</b> |
|   |         |               | 32                                 | 11                            | 7,5        | <b>H226 - 41 ... - 319N4</b> |
|   |         |               | 40                                 | 15                            | 11         | <b>H233 - 41 ... - 319N4</b> |
|   |         |               | 63                                 | 22                            | 18,5       | <b>H263 - 41 ... - 319N4</b> |
|   | 3 ... 4 | H200-B        |                                    |                               |            |                              |

## SMD modules for basic switch A02

Mounting form module for 319N.

H200-A  
H200-B  
H200-D  
H200-A/-B/-D

**BFA2 - 319**  
**BFB2 - 319**  
**BFC2 - 319**  
**2GN1**

N-padlock device 67 × 67 mm, mounting form 319N1  
Escutcheon black, padlockable handle black

N-padlock device 67 × 67 mm, mounting form 319N4  
Escutcheon yellow, padlockable handle red

Additional top escutcheon plate

**2GN4**

**FAZ2 - 8041**

## Dimensions (mm)

| Product lines | A  | B  | B1 | B2 | C   | C1 | D1   | G1   | G2  | H  |
|---------------|----|----|----|----|-----|----|------|------|-----|----|
| H200-A        | 67 | 36 | 48 | 60 | 150 | 33 | 22,5 | 24,2 | 3,2 | 70 |
| H200-B        | 67 | 50 | 69 | 88 | 150 | 33 | 22,5 | 24,2 | 3,2 | 72 |
| H200-D        | 67 | 72 | 84 | 96 | 150 | 33 | 22,5 | 24,2 | 3,2 | 70 |

C<sup>1)</sup> Internal depth, outside of door to top of DIN rail.



# Base Mounting Switches

# sälzer

**Product line**  
**H200-D**

**Base mounting switch**

**Door interlock**

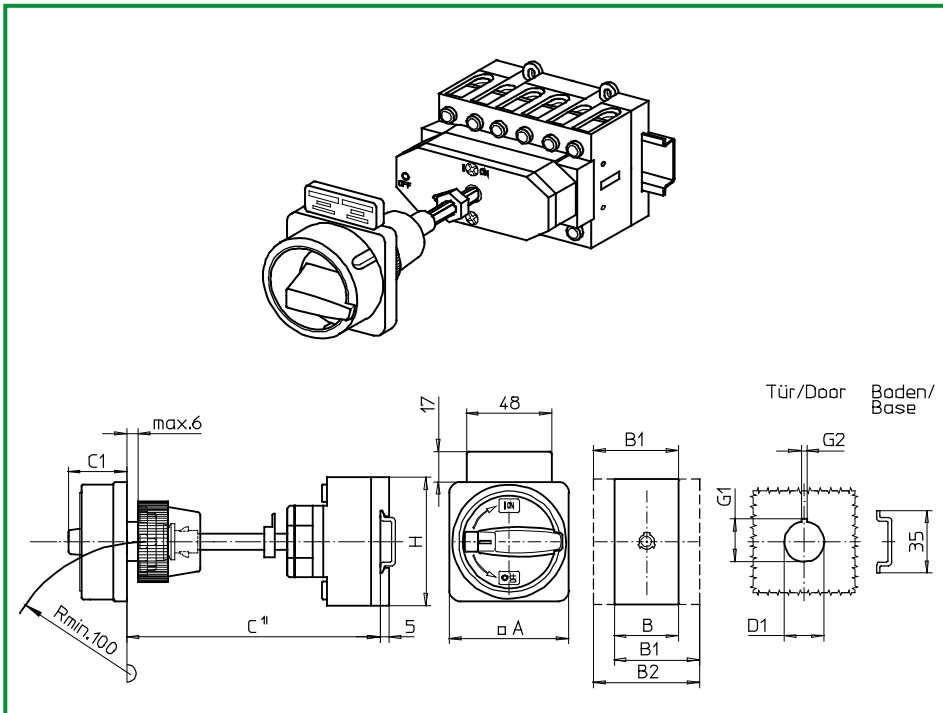
Metal shaft extension with fixed metal shaft, C = 155 mm

**Single hole mounting**

ø 22,5 mm front

**320M1** (IP66)

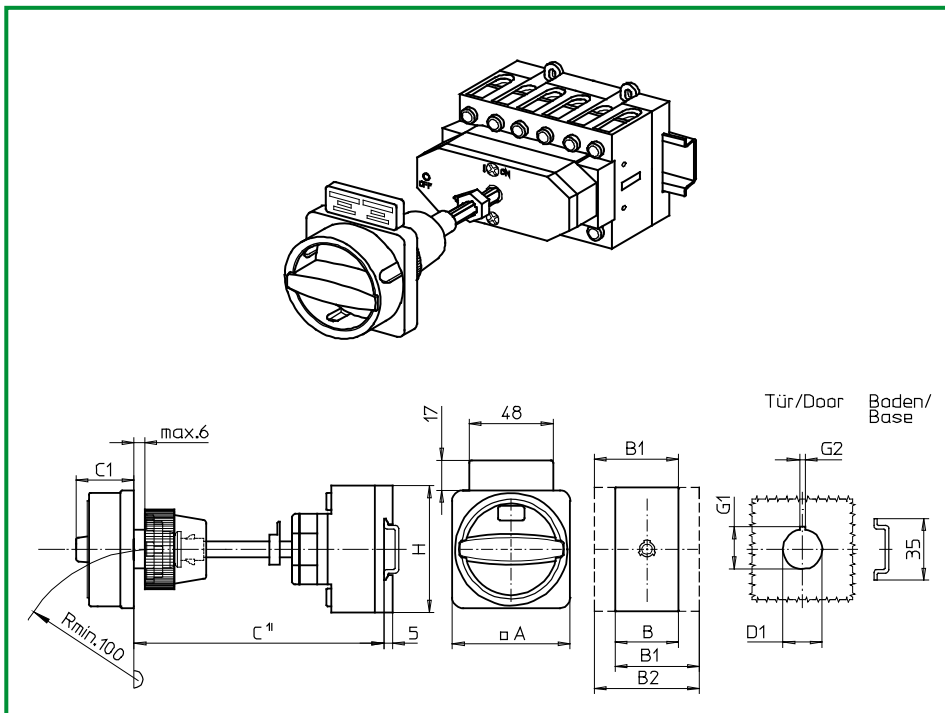
**320M4** (IP66)



| Complete switch  | Poles   | Product lines | Rated data (IEC 60947)             |                               |                    | Order code number            |      |      |     |    |  |
|--|---------|---------------|------------------------------------|-------------------------------|--------------------|------------------------------|------|------|-----|----|--|
|  |         |               | Operational current I <sub>e</sub> | Operational power at 380–440V |                    |                              |      |      |     |    |  |
|  |         |               | AC-21A<br>A                        | AC-23A<br>kW                  | AC-3<br>kW         |                              |      |      |     |    |  |
| Main Switches<br>OFF position padlockable 09h  | 6 ... 8 | H200-D        | 20                                 | 5,5                           | 3,7                | <b>H216 - 41 ... - 320M1</b> |      |      |     |    |  |
|  |         |               | 25                                 | 7,5                           | 5,5                | <b>H220 - 41 ... - 320M1</b> |      |      |     |    |  |
|  |         |               | 32                                 | 11                            | 7,5                | <b>H226 - 41 ... - 320M1</b> |      |      |     |    |  |
|  |         |               | 40                                 | 15                            | 11                 | <b>H233 - 41 ... - 320M1</b> |      |      |     |    |  |
| Main/Emergency-Off Switches<br>OFF position padlockable 09h                                    | 6 ... 8 | H200-D        | 20                                 | 5,5                           | 3,7                | <b>H216 - 41 ... - 320M4</b> |      |      |     |    |  |
|  |         |               | 25                                 | 7,5                           | 5,5                | <b>H220 - 41 ... - 320M4</b> |      |      |     |    |  |
|  |         |               | 32                                 | 11                            | 7,5                | <b>H226 - 41 ... - 320M4</b> |      |      |     |    |  |
|  |         |               | 40                                 | 15                            | 11                 | <b>H233 - 41 ... - 320M4</b> |      |      |     |    |  |
| <b>SMD modules for basic switch A02</b>  |         |               |                                    |                               |                    |                              |      |      |     |    |  |
| Mounting form module for 320M.   |         |               | H200-D                             |                               | <b>BFC2 - 320</b>  |                              |      |      |     |    |  |
| M-padlock device 67 × 67 mm, mounting form 320M1<br>Escutcheon black, padlockable handle black |         |               | H200-D                             |                               | <b>2GM1</b>        |                              |      |      |     |    |  |
| M-padlock device 67 × 67 mm, mounting form 320M4<br>Escutcheon yellow, padlockable handle red  |         |               |                                    |                               | <b>2GM4</b>        |                              |      |      |     |    |  |
| Additional top escutcheon plate  |         |               |                                    |                               | <b>FAZ2 - 8041</b> |                              |      |      |     |    |  |
| <b>Dimensions (mm)</b>   |         |               |                                    |                               |                    |                              |      |      |     |    |  |
| Product line   | A       | B             | B1                                 | B2                            | C                  | C1                           | D1   | G1   | G2  | H  |  |
| H200-D   | 67      | 72            | 84                                 | 96                            | 155                | 38                           | 22,5 | 24,2 | 3,2 | 70 |  |
| <b>C<sup>1</sup>) Internal depth, outside of door to top of DIN rail.</b>                      |         |               |                                    |                               |                    |                              |      |      |     |    |  |

# Base Mounting Switches

# sälzer



**Product line**  
**H200-D**

**Base mounting switch**

**Door interlock**  
Metal shaft extension with fixed metal shaft, C = 155 mm

**Single hole mounting**  
ø 22,5 mm front

**320N1 (IP66)**

**320N4 (IP66)**

| Complete switch   | Poles   | Product lines | Rated data (IEC 60947)             |                               |            | Order code number            |
|---|---------|---------------|------------------------------------|-------------------------------|------------|------------------------------|
|   |         |               | Operational current I <sub>e</sub> | Operational power at 380–440V |            |                              |
|   |         |               | AC-21A<br>A                        | AC-23A<br>kW                  | AC-3<br>kW |                              |
| Main Switches<br>OFF position padlockable 12h               | 6 ... 8 | H200-D        | 20                                 | 5,5                           | 3,7        | <b>H216 - 41 ... - 320N1</b> |
|   |         |               | 25                                 | 7,5                           | 5,5        | <b>H220 - 41 ... - 320N1</b> |
|   |         |               | 32                                 | 11                            | 7,5        | <b>H226 - 41 ... - 320N1</b> |
|   |         |               | 40                                 | 15                            | 11         | <b>H233 - 41 ... - 320N1</b> |
| Main/Emergency-Off Switches<br>OFF position padlockable 12h | 6 ... 8 | H200-D        | 20                                 | 5,5                           | 3,7        | <b>H216 - 41 ... - 320N4</b> |
|   |         |               | 25                                 | 7,5                           | 5,5        | <b>H220 - 41 ... - 320N4</b> |
|   |         |               | 32                                 | 11                            | 7,5        | <b>H226 - 41 ... - 320N4</b> |
|   |         |               | 40                                 | 15                            | 11         | <b>H233 - 41 ... - 320N4</b> |

| SMD modules for basic switch A02   |  |        |                    |
|--|--|--------|--------------------|
| Mounting form module for 320N.   |  | H200-D | <b>BFC2 - 320</b>  |
| M-padlock device 67 × 67 mm, mounting form 320N1<br>Escutcheon black, padlockable handle black |  | H200-D | <b>2GN1</b>        |
| M-padlock device 67 × 67 mm, mounting form 320N4<br>Escutcheon yellow, padlockable handle red  |  |        | <b>2GN4</b>        |
| Additional top escutcheon plate  |  |        | <b>FAZZ - 8041</b> |

| Dimensions (mm) |    |    |    |    |     |    |      |      |     |    |
|-----------------|----|----|----|----|-----|----|------|------|-----|----|
| Product line    | A  | B  | B1 | B2 | C   | C1 | D1   | G1   | G2  | H  |
| H200-D          | 67 | 72 | 84 | 96 | 155 | 33 | 22,5 | 24,2 | 3,2 | 70 |

**C<sup>1</sup>) Internal depth, outside of door to top of DIN rail.**

# Base Mounting Switches

# sälzer

**Product lines  
H200-A/B**

**Base mounting switch**

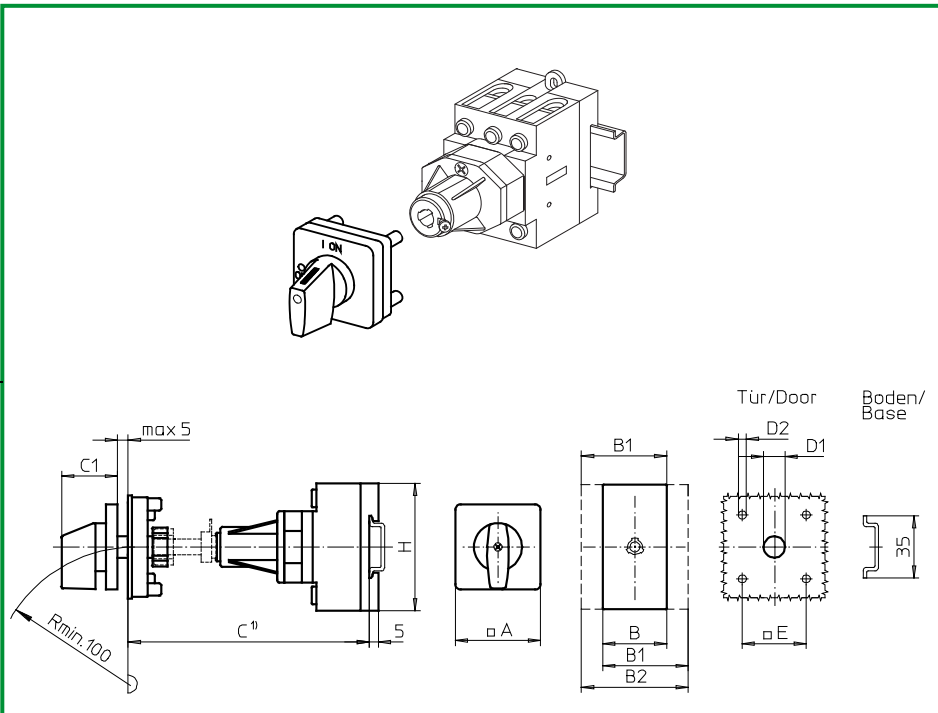
**Door clutch**

Metal shaft extension  
With shaft retaining screw

**Four hole mounting**

36 x 36 mm front

**252M1 (IP66)**



| Complete switch                        | Poles   | Product lines | Rated data (IEC 60947)             |                               |            | Order code number            |
|--|---------|---------------|------------------------------------|-------------------------------|------------|------------------------------|
|  |         |               | Operational current I <sub>e</sub> | Operational power at 380–440V |            |                              |
|  |         |               | AC-21A<br>A                        | AC-23A<br>kW                  | AC-3<br>kW |                              |
| ON-OFF Switches<br>Switching angle 90° | 3 ... 4 | H200-A        | 20                                 | 5,5                           | 3,7        | <b>H216 - 41 ... - 252M1</b> |
|  |         |               | 25                                 | 7,5                           | 5,5        | <b>H220 - 41 ... - 252M1</b> |
|  |         |               | 32                                 | 11                            | 7,5        | <b>H226 - 41 ... - 252M1</b> |
|  |         |               | 40                                 | 15                            | 11         | <b>H233 - 41 ... - 252M1</b> |
|  | 3 ... 4 | H200-B        | 63                                 | 22                            | 18,5       | <b>H263 - 41 ... - 252M1</b> |

## SMD modules for basic switch A02

|   |                  |  |
|---|------------------|--|
| Mounting form module for 252M1  | H200-A<br>H200-B | <b>BFA2 - 252</b><br><b>BFB2 - 252</b> |
| M-operator module 48 x 48 mm, mounting form 252M1<br>Escutcheon black, handle black | H200-A/B         | <b>2AM1</b>                            |
| Legend plate silver, operator module 252M1  |                  | <b>FAS2 - 9...</b> (FA number)         |

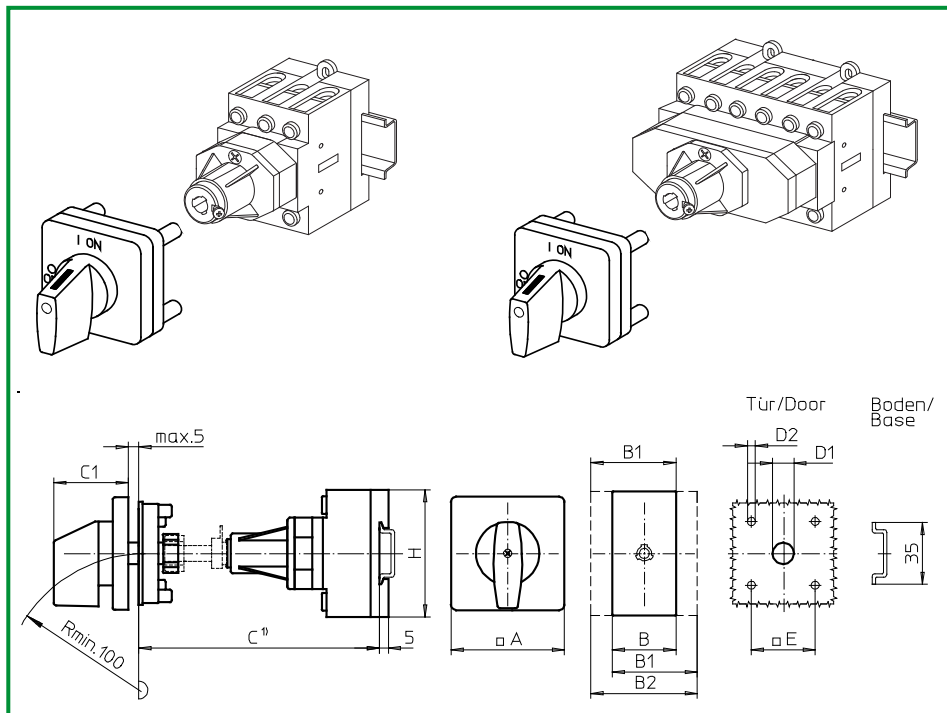
## Dimensions (mm)

| Product lines | A  | B  | B1 | B2 | C1 | D1 | D2  | E  | H  |
|---------------|----|----|----|----|----|----|-----|----|----|
| H200-A        | 48 | 36 | 48 | 60 | 32 | 15 | 4,5 | 36 | 70 |
| H200-B        | 48 | 50 | 69 | 88 | 32 | 15 | 4,5 | 36 | 72 |

**C<sup>1</sup>) Metal shaft is not included. Please order separately. See page B8-21.**

# Base Mounting Switches

# sälzer



**Product lines**  
H200-A/-B/-D/-E

**Base mounting switch**  
Operator module of next size

**Door clutch**  
Metal shaft extension  
With shaft retaining screw

**Four hole mounting**  
48 x 48 mm front

**254M1** (IP66)

| Complete switch                            | Poles   | Product lines | Rated data (IEC 60947)             |                               |            | Order code number            |
|--|---------|---------------|------------------------------------|-------------------------------|------------|------------------------------|
|  |         |               | Operational current I <sub>e</sub> | Operational power at 380–440V |            |                              |
|  |         |               | AC-21A<br>A                        | AC-23A<br>kW                  | AC-3<br>kW |                              |
| ON-OFF Switches<br>Switching angle 90°     | 3 ... 8 | H200-A/-D     | 20                                 | 5,5                           | 3,7        | <b>H216 - 41 ... - 254M1</b> |
|  |         |               | 25                                 | 7,5                           | 5,5        | <b>H220 - 41 ... - 254M1</b> |
|  |         |               | 32                                 | 11                            | 7,5        | <b>H226 - 41 ... - 254M1</b> |
|  |         |               | 40                                 | 15                            | 11         | <b>H233 - 41 ... - 254M1</b> |
|  |         |               | 63                                 | 22                            | 18,5       | <b>H263 - 41 ... - 254M1</b> |
| Changeover with OFF<br>Switching angle 90° | 3 ... 4 | H200-E        | 20                                 | 5,5                           | 3,7        | <b>H216 - 71 ... - 254M1</b> |
|  |         |               | 25                                 | 7,5                           | 5,5        | <b>H220 - 71 ... - 254M1</b> |
|  |         |               | 32                                 | 11                            | 7,5        | <b>H226 - 71 ... - 254M1</b> |
|  |         |               | 40                                 | 15                            | 11         | <b>H233 - 71 ... - 254M1</b> |

| SMD modules for basic switch A02  |                               |   |
|---|-------------------------------|---|
| Mounting form module for 254M1  | H200-A<br>H200-B/-D<br>H200-E | <b>BFA2 - 254</b><br><b>BFB2 - 254</b><br><b>BFC2 - 254</b> |
| M-operator module 64 x 64 mm, mounting form 254M1<br>Escutcheon black, handle black | H200-A/-B/-D/-E               | <b>4AM1</b>   |
| Legend plate silver, operator module 254M1  |                               | <b>FAS4 - 9...</b> (FA number)                              |

| Dimensions (mm) |    |    |    |    |    |    |    |    |    |
|-----------------|----|----|----|----|----|----|----|----|----|
| Product lines   | A  | B  | B1 | B2 | C1 | D1 | D2 | E  | H  |
| H200-A          | 64 | 36 | 48 | 60 | 40 | 15 | 5  | 48 | 70 |
| H200-B          | 64 | 50 | 69 | 88 | 40 | 15 | 5  | 48 | 72 |
| H200-D          | 64 | 72 | 84 | 96 | 40 | 15 | 5  | 48 | 70 |
| H200-E          | 64 | 72 | 84 | 96 | 40 | 15 | 5  | 48 | 70 |

**C<sup>1</sup>) Metal shaft is not included. Please order separately. See page B8-21.**

# Base Mounting Switches

# sälzer

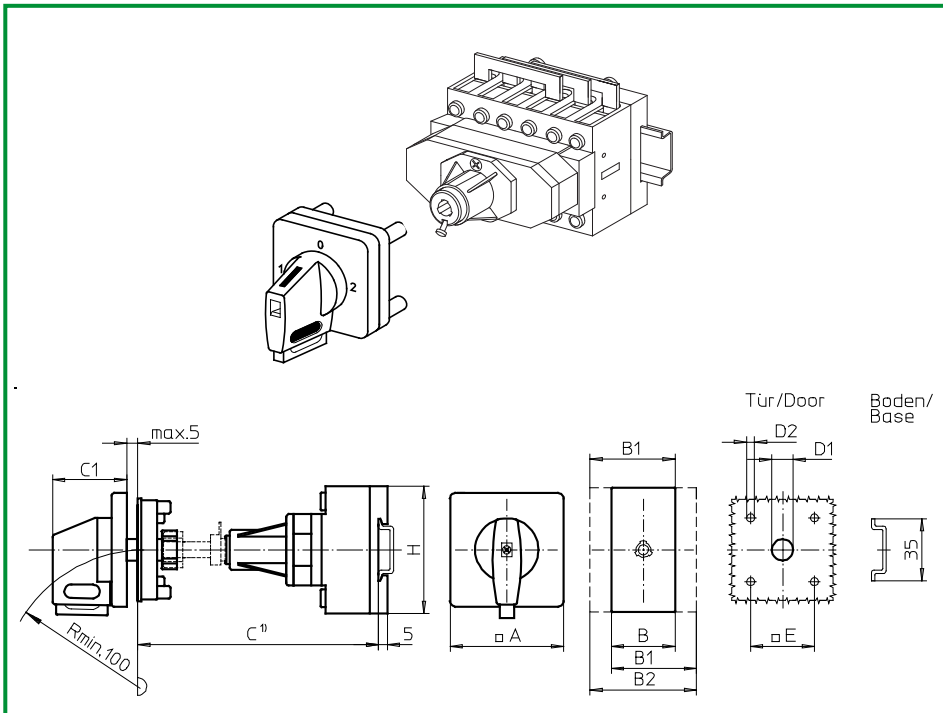
**Product line**  
**H200-E**

**Base mounting switch**  
Operator module of next size

**Door clutch**  
Metal shaft extension  
With shaft retaining screw

**Four hole mounting**  
48 × 48 mm front

**254V1 (IP66)**  
**258V1 (IP66)**



| Complete switch  | Poles   | Product lines | Rated data (IEC 60947)             |                               |            | Order code number            |
|--|---------|---------------|------------------------------------|-------------------------------|------------|------------------------------|
|  |         |               | Operational current I <sub>e</sub> | Operational power at 380–440V |            |                              |
|  |         |               | AC-21A<br>A                        | AC-23A<br>kW                  | AC-3<br>kW |                              |
| Changeover with OFF<br>Switching angle 90°<br>OFF position padlockable 12h             | 3 ... 4 | H200-E        | 20                                 | 5,5                           | 3,7        | <b>H216 - 71 ... - 254V1</b> |
|  |         |               | 25                                 | 7,5                           | 5,5        | <b>H220 - 71 ... - 254V1</b> |
|  |         |               | 32                                 | 11                            | 7,5        | <b>H226 - 71 ... - 254V1</b> |
|  |         |               | 40                                 | 15                            | 11         | <b>H233 - 11 ... - 254V1</b> |
| Changeover with OFF<br>Switching angle 90°<br>3 positions padlockable<br>(09h/12h/03h) | 3 ... 4 | H200-E        | 20                                 | 5,5                           | 3,7        | <b>H216 - 71 ... - 258V1</b> |
|  |         |               | 25                                 | 7,5                           | 5,5        | <b>H220 - 71 ... - 258V1</b> |
|  |         |               | 32                                 | 11                            | 7,5        | <b>H226 - 71 ... - 258V1</b> |
|  |         |               | 40                                 | 15                            | 11         | <b>H233 - 71 ... - 258V1</b> |

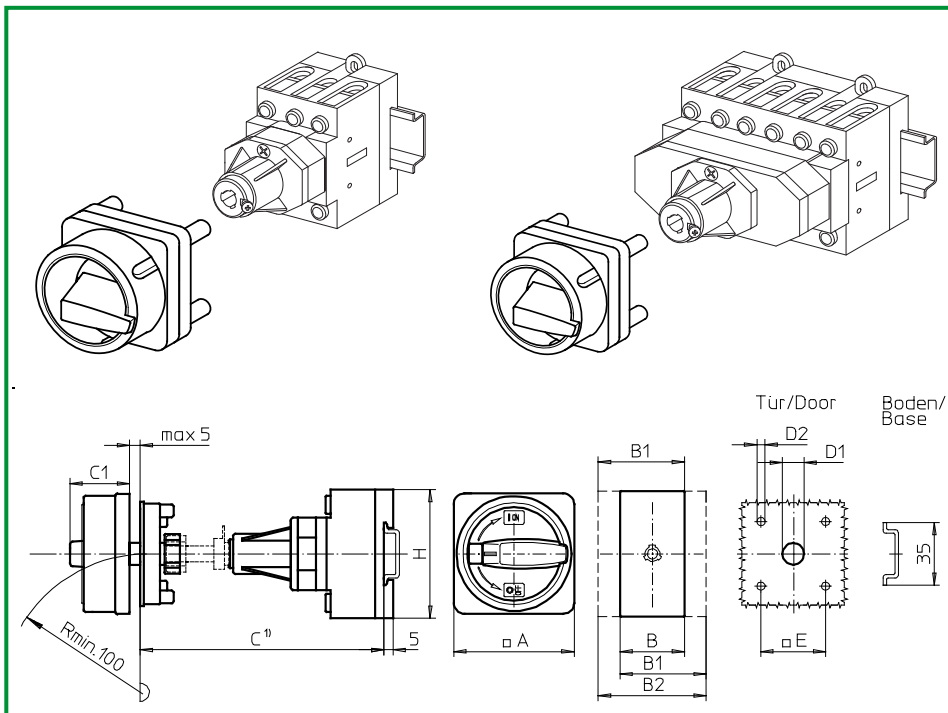
| SMD modules for basic switch A02  |        |                                |
|---|--------|--------------------------------|
| Mounting form module for 254V1/258V1  | H200-E | <b>BFC2 - 254</b>              |
| V-operator module 64 × 64 mm, mounting form 254V1<br>Escutcheon black, handle black |        | <b>4AV1 - 12</b>               |
| V-operator module 64 × 64 mm, mounting form 258V1<br>Escutcheon black, handle black |        | <b>4AV1 - 99</b>               |
| Legend plate silver, operator modules 254V1/258V1                                   |        | <b>FAS4 - .... (FA number)</b> |

| Dimensions (mm) |    |    |    |    |    |    |    |    |    |
|-----------------|----|----|----|----|----|----|----|----|----|
| Product line    | A  | B  | B1 | B2 | C1 | D1 | D2 | E  | H  |
| H200-E          | 64 | 72 | 84 | 96 | 40 | 15 | 5  | 48 | 70 |

**C<sup>1</sup>) Metal shaft is not included. Please order separately. See page B8-21.**

# Base Mounting Switches

# sälzer



**Product lines**  
**H200-A/-B/-D**

**Base mounting switch**

**Door clutch**

Metal shaft extension  
With shaft retaining screw

**Four hole mounting**

36 x 36 mm front

**255M1** (IP66)

**255M4** (IP66)

| Complete switch   | Poles   | Product lines | Rated data (IEC 60947)             |                               |            | Order code number            |
|---|---------|---------------|------------------------------------|-------------------------------|------------|------------------------------|
|   |         |               | Operational current I <sub>e</sub> | Operational power at 380–440V |            |                              |
|   |         |               | AC-21A<br>A                        | AC-23A<br>kW                  | AC-3<br>kW |                              |
| Main Switches<br>OFF position padlockable 09h               | 3 ... 8 | H200-A/-D     | 20                                 | 5,5                           | 3,7        | <b>H216 - 41 ... - 255M1</b> |
|   |         |               | 25                                 | 7,5                           | 5,5        | <b>H220 - 41 ... - 255M1</b> |
|   |         |               | 32                                 | 11                            | 7,5        | <b>H226 - 41 ... - 255M1</b> |
|   |         |               | 40                                 | 15                            | 11         | <b>H233 - 41 ... - 255M1</b> |
|   |         |               | 63                                 | 22                            | 18,5       | <b>H263 - 41 ... - 255M1</b> |
| Main/Emergency-Off Switches<br>OFF position padlockable 09h | 3 ... 8 | H200-A/-D     | 20                                 | 5,5                           | 3,7        | <b>H216 - 41 ... - 255M4</b> |
|   |         |               | 25                                 | 7,5                           | 5,5        | <b>H220 - 41 ... - 255M4</b> |
|   |         |               | 32                                 | 11                            | 7,5        | <b>H226 - 41 ... - 255M4</b> |
|   |         |               | 40                                 | 15                            | 11         | <b>H233 - 41 ... - 255M4</b> |
|   |         |               | 63                                 | 22                            | 18,5       | <b>H263 - 41 ... - 255M4</b> |
|   | 3 ... 4 | H200-B        |                                    |                               |            |                              |

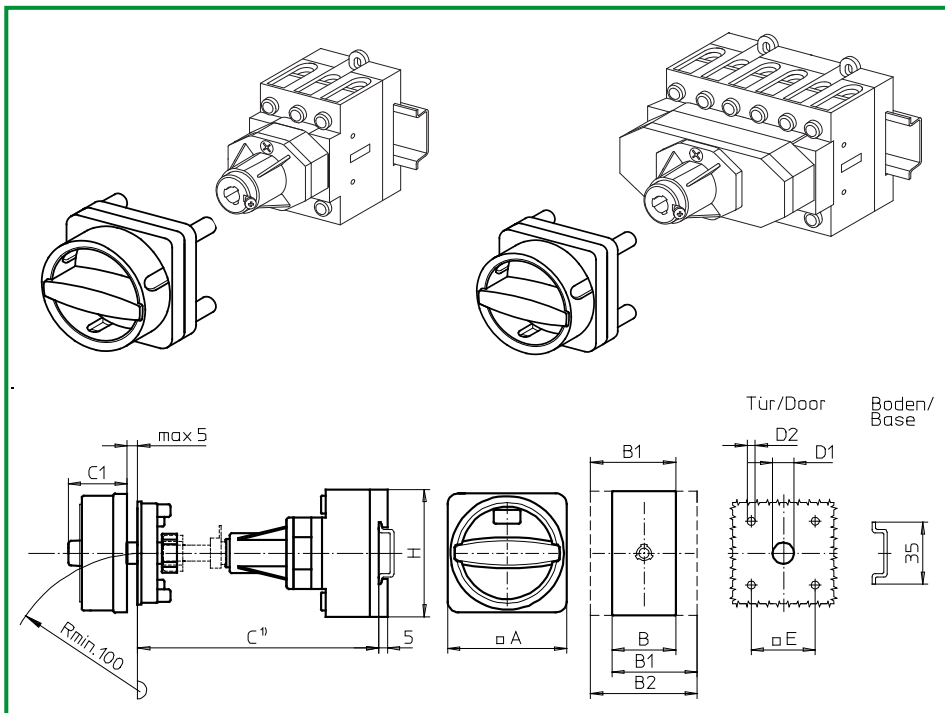
| SMD modules for basic switch A02   |                     |  |
|--|---------------------|--|
| Mounting form module for 255M.   | H200-A<br>H200-B/-D | <b>BFA2 - 255</b><br><b>BFB2 - 255</b> |
| M-padlock device 67 x 67 mm, mounting form 255M1<br>Escutcheon black, padlockable handle black | H200-A/-B/-D        | <b>2CM1</b>                            |
| M-padlock device 67 x 67 mm, mounting form 255M4<br>Escutcheon yellow, padlockable handle red  |                     | <b>2CM4</b>                            |

| Dimensions (mm) |    |    |    |    |    |    |     |    |    |
|-----------------|----|----|----|----|----|----|-----|----|----|
| Product lines   | A  | B  | B1 | B2 | C1 | D1 | D2  | E  | H  |
| H200-A          | 67 | 36 | 48 | 60 | 38 | 15 | 4,5 | 36 | 70 |
| H200-B          | 67 | 50 | 69 | 88 | 38 | 15 | 4,5 | 36 | 72 |
| H200-D          | 67 | 72 | 84 | 96 | 38 | 15 | 4,5 | 36 | 70 |

**C<sup>1</sup>)** Metal shaft is not included. Please order separately. See page B8-21.

# Base Mounting Switches

**sälzer**



**Product lines  
H200-A/-B/-D**

**Base mounting switch**

**Door clutch**

Metal shaft extension  
With shaft retaining screw

**Four hole mounting**

36 x 36 mm front

**255N1 (IP66)**

**255N4 (IP66)**

| Complete switch   | Poles   | Product lines | Rated data (IEC 60947)             |                               |            | Order code number            |
|---|---------|---------------|------------------------------------|-------------------------------|------------|------------------------------|
|   |         |               | Operational current I <sub>e</sub> | Operational power at 380–440V |            |                              |
|   |         |               | AC-21A<br>A                        | AC-23A<br>kW                  | AC-3<br>kW |                              |
| Main Switches<br>OFF position padlockable 12h               | 3 ... 8 | H200-A/-D     | 20                                 | 5,5                           | 3,7        | <b>H216 - 41 ... - 255N1</b> |
|   |         |               | 25                                 | 7,5                           | 5,5        | <b>H220 - 41 ... - 255N1</b> |
|   |         |               | 32                                 | 11                            | 7,5        | <b>H226 - 41 ... - 255N1</b> |
|   |         |               | 40                                 | 15                            | 11         | <b>H233 - 41 ... - 255N1</b> |
|   |         |               | 63                                 | 22                            | 18,5       | <b>H263 - 41 ... - 255N1</b> |
| Main/Emergency-Off Switches<br>OFF position padlockable 12h | 3 ... 8 | H200-A/-D     | 20                                 | 5,5                           | 3,7        | <b>H216 - 41 ... - 255N4</b> |
|   |         |               | 25                                 | 7,5                           | 5,5        | <b>H220 - 41 ... - 255N4</b> |
|   |         |               | 32                                 | 11                            | 7,5        | <b>H226 - 41 ... - 255N4</b> |
|   |         |               | 40                                 | 15                            | 11         | <b>H233 - 41 ... - 255N4</b> |
|   |         |               | 63                                 | 22                            | 18,5       | <b>H263 - 41 ... - 255N4</b> |
|   | 3 ... 4 | H200-B        |                                    |                               |            |                              |

## SMD modules for basic switch A02

Mounting form module for 255N.

H200-A  
H200-B/-D

**BFA2 - 255**  
**BFB2 - 255**

N-padlock device 67 x 67 mm, mounting form 255N1  
Escutcheon black, padlockable handle black

H200-A/-B/-D

**2CN1**

N-padlock device 67 x 67 mm, mounting form 255N4  
Escutcheon yellow, padlockable handle red

**2CN4**

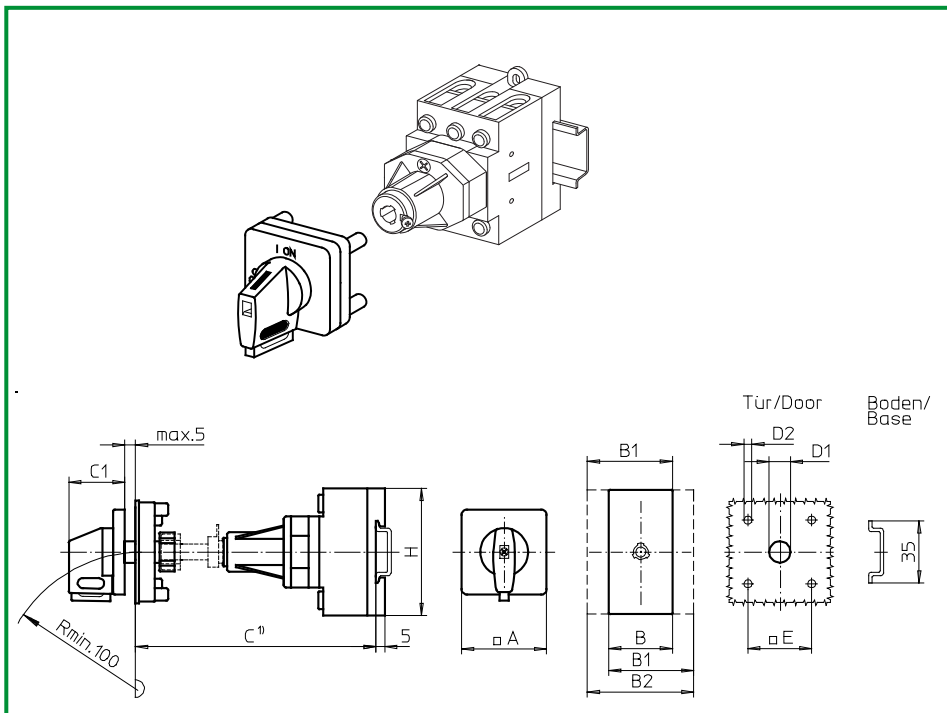
## Dimensions (mm)

| Product lines | A  | B  | B1 | B2 | C1 | D1 | D2  | E  | H  |
|---------------|----|----|----|----|----|----|-----|----|----|
| H200-A        | 67 | 36 | 48 | 60 | 33 | 15 | 4,5 | 36 | 70 |
| H200-B        | 67 | 50 | 69 | 88 | 33 | 15 | 4,5 | 36 | 72 |
| H200-D        | 67 | 72 | 84 | 96 | 33 | 15 | 4,5 | 36 | 70 |

**C<sup>1</sup>) Metal shaft is not included. Please order separately. See page B8-21.**

# Base Mounting Switches

# sälzer



**Product lines**  
**H200-A/-B**

**Base mounting switch**

**Door clutch**

Metal shaft extension  
With shaft retaining screw

**Four hole mounting**

36 x 36 mm front

**255V1** (IP66)

**255V4** (IP66)

| Complete switch   | Poles   | Product lines | Rated data (IEC 60947)             |                               |            | Order code number            |
|---|---------|---------------|------------------------------------|-------------------------------|------------|------------------------------|
|   |         |               | Operational current I <sub>e</sub> | Operational power at 380–440V |            |                              |
|   |         |               | AC-21A<br>A                        | AC-23A<br>kW                  | AC-3<br>kW |                              |
| Main Switches<br>OFF position padlockable 09h               | 3 ... 4 | H200-A        | 20                                 | 5,5                           | 3,7        | <b>H216 - 41 ... - 255V1</b> |
|   |         |               | 25                                 | 7,5                           | 5,5        | <b>H220 - 41 ... - 255V1</b> |
|   |         |               | 32                                 | 11                            | 7,5        | <b>H226 - 41 ... - 255V1</b> |
|   |         |               | 40                                 | 15                            | 11         | <b>H233 - 41 ... - 255V1</b> |
|   |         |               | 63                                 | 22                            | 18,5       | <b>H263 - 41 ... - 255V1</b> |
| Main/Emergency-Off Switches<br>OFF position padlockable 09h | 3 ... 4 | H200-A        | 20                                 | 5,5                           | 3,7        | <b>H216 - 41 ... - 255V4</b> |
|   |         |               | 25                                 | 7,5                           | 5,5        | <b>H220 - 41 ... - 255V4</b> |
|   |         |               | 32                                 | 11                            | 7,5        | <b>H226 - 41 ... - 255V4</b> |
|   |         |               | 40                                 | 15                            | 11         | <b>H233 - 41 ... - 255V4</b> |
|   |         |               | 63                                 | 22                            | 18,5       | <b>H263 - 41 ... - 255V4</b> |
|   | 3 ... 4 | H200-B        |                                    |                               |            |                              |

## SMD modules for basic switch A02

Mounting form module for 255V.

H200-A  
H200-B

**BFA2 - 255**  
**BFB2 - 255**

V-operator module 48 x 48 mm, mounting form 255V1  
Escutcheon black, handle black

H200-A/-B

**2AV1 - 09**

Legend plate silver, operator module 255V1

**FAS2 - 9078**

V-operator module 48 x 48 mm, mounting form 255V4  
Escutcheon black, handle red

**2AV4 - 09**

Legend plate yellow, operator module 255V4

**FBS2 - 9078**

## Dimensions (mm)

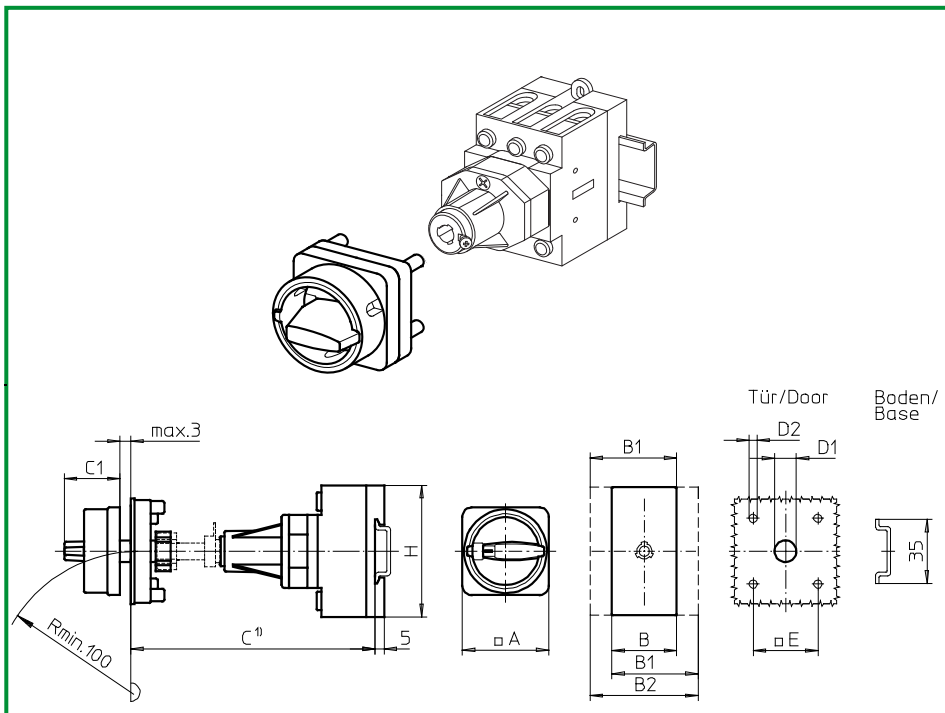
| Product lines | A  | B  | B1 | B2 | C1 | D1 | D2  | E  | H  |
|---------------|----|----|----|----|----|----|-----|----|----|
| H200-A        | 48 | 36 | 48 | 60 | 32 | 15 | 4,5 | 36 | 70 |
| H200-B        | 48 | 50 | 69 | 88 | 32 | 15 | 4,5 | 36 | 72 |

**C<sup>1</sup>)** Metal shaft is not included. Please order separately. See page B8-21.



# Base Mounting Switches

# sälzer



**Product lines**  
**H200-A/-B**

**Base mounting switch**

**Door clutch**

Metal shaft extension  
With shaft retaining screw

**Four hole mounting**

36 x 36 mm front

**256M1** (IP66)

**256M4** (IP66)

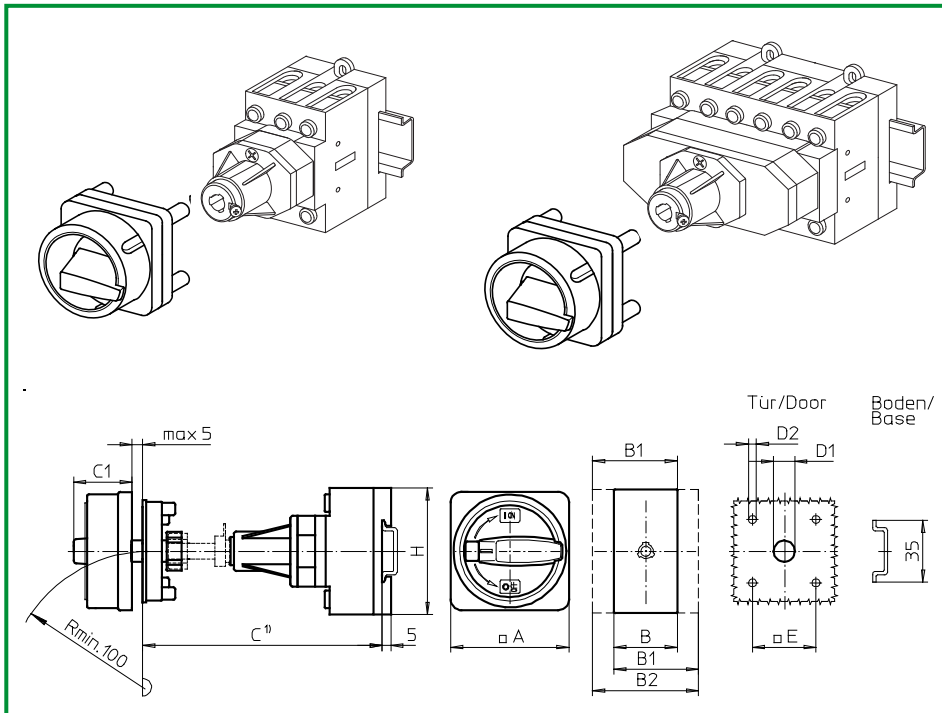
| Complete switch   | Poles   | Product lines | Rated data (IEC 60947)   |                               |            | Order code number            |  |
|---|---------|---------------|--|-------------------------------|------------|------------------------------|--|
|   |         |               | Operational current I <sub>e</sub>   | Operational power at 380–440V |            |                              |  |
|   |         |               | AC-21A<br>A  | AC-23A<br>kW                  | AC-3<br>kW |                              |  |
| Main Switches<br>OFF position padlockable 09h               | 3 ... 4 | H200-A        | 20   | 5,5                           | 3,7        | <b>H216 - 41 ... - 256M1</b> |  |
|   |         |               | 25   | 7,5                           | 5,5        | <b>H220 - 41 ... - 256M1</b> |  |
|   |         |               | 32   | 11                            | 7,5        | <b>H226 - 41 ... - 256M1</b> |  |
|   |         |               | 40   | 15                            | 11         | <b>H233 - 41 ... - 256M1</b> |  |
|   |         |               | 63   | 22                            | 18,5       | <b>H263 - 41 ... - 256M1</b> |  |
| Main/Emergency-Off Switches<br>OFF position padlockable 09h | 3 ... 4 | H200-A        | 20   | 5,5                           | 3,7        | <b>H216 - 41 ... - 256M4</b> |  |
|   |         |               | 25   | 7,5                           | 5,5        | <b>H220 - 41 ... - 256M4</b> |  |
|   |         |               | 32   | 11                            | 7,5        | <b>H226 - 41 ... - 256M4</b> |  |
|   |         |               | 40   | 15                            | 11         | <b>H233 - 41 ... - 256M4</b> |  |
|   |         |               | 63   | 22                            | 18,5       | <b>H263 - 41 ... - 256M4</b> |  |
| SMD modules for basic switch A02                            |         |               |  |                               |            |                              |  |
|   |         |               | Mounting form module for 256M.   |                               |            | H200-A<br>H200-B             | <b>BFA2 - 256</b><br><b>BFB2 - 256</b> |
|   |         |               | M-padlock device 48 x 48 mm, mounting form 256M1<br>Escutcheon black, padlockable handle black |                               |            | H200-A/-B                    | <b>2BM1</b>                            |
|   |         |               | M-padlock device 48 x 48 mm, mounting form 256M4<br>Escutcheon yellow, padlockable handle red  |                               |            |                              | <b>2BM4</b>                            |

| Dimensions (mm) |    |    |    |    |    |    |     |    |    |
|-----------------|----|----|----|----|----|----|-----|----|----|
| Product lines   | A  | B  | B1 | B2 | C1 | D1 | D2  | E  | H  |
| H200-A          | 48 | 36 | 48 | 60 | 31 | 15 | 4,5 | 36 | 70 |
| H200-B          | 48 | 50 | 69 | 88 | 31 | 15 | 4,5 | 36 | 72 |

**C<sup>1</sup>) Metal shaft is not included. Please order separately. See page B8-21.**

# Base Mounting Switches

**sälzer**



**Product lines**  
**H200-A/-B/-D**

**Base mounting switch**  
Operator module of next size

**Door clutch**  
Metal shaft extension  
With shaft retaining screw

**Four hole mounting**  
48 x 48 mm front

**257M1** (IP66)  
**257M4** (IP66)

| Complete switch   | Poles   | Product lines | Rated data (IEC 60947)             |                               |            | Order code number            |
|---|---------|---------------|------------------------------------|-------------------------------|------------|------------------------------|
|   |         |               | Operational current I <sub>e</sub> | Operational power at 380–440V |            |                              |
|   |         |               | AC-21A<br>A                        | AC-23A<br>kW                  | AC-3<br>kW |                              |
| Main Switches<br>OFF position padlockable 09h               | 3 ... 8 | H200-A/-D     | 20                                 | 5,5                           | 3,7        | <b>H216 - 41 ... - 257M1</b> |
|   |         |               | 25                                 | 7,5                           | 5,5        | <b>H220 - 41 ... - 257M1</b> |
|   |         |               | 32                                 | 11                            | 7,5        | <b>H226 - 41 ... - 257M1</b> |
|   |         |               | 40                                 | 15                            | 11         | <b>H233 - 41 ... - 257M1</b> |
|   |         |               | 63                                 | 22                            | 18,5       | <b>H263 - 41 ... - 257M1</b> |
| Main/Emergency-Off Switches<br>OFF position padlockable 09h | 3 ... 8 | H200-A/-D     | 20                                 | 5,5                           | 3,7        | <b>H216 - 41 ... - 257M4</b> |
|   |         |               | 25                                 | 7,5                           | 5,5        | <b>H220 - 41 ... - 257M4</b> |
|   |         |               | 32                                 | 11                            | 7,5        | <b>H226 - 41 ... - 257M4</b> |
|   |         |               | 40                                 | 15                            | 11         | <b>H233 - 41 ... - 257M4</b> |
|   |         |               | 63                                 | 22                            | 18,5       | <b>H263 - 41 ... - 257M4</b> |
| SMD modules for basic switch A02                            |         |               |                                    |                               |            | <b>BFA2 - 257</b>            |
|   |         |               |                                    |                               |            | <b>BFB2 - 257</b>            |
|   |         |               |                                    |                               |            | <b>4BM1</b>                  |
|   |         |               |                                    |                               |            | <b>4BM4</b>                  |
|   |         |               |                                    |                               |            |                              |

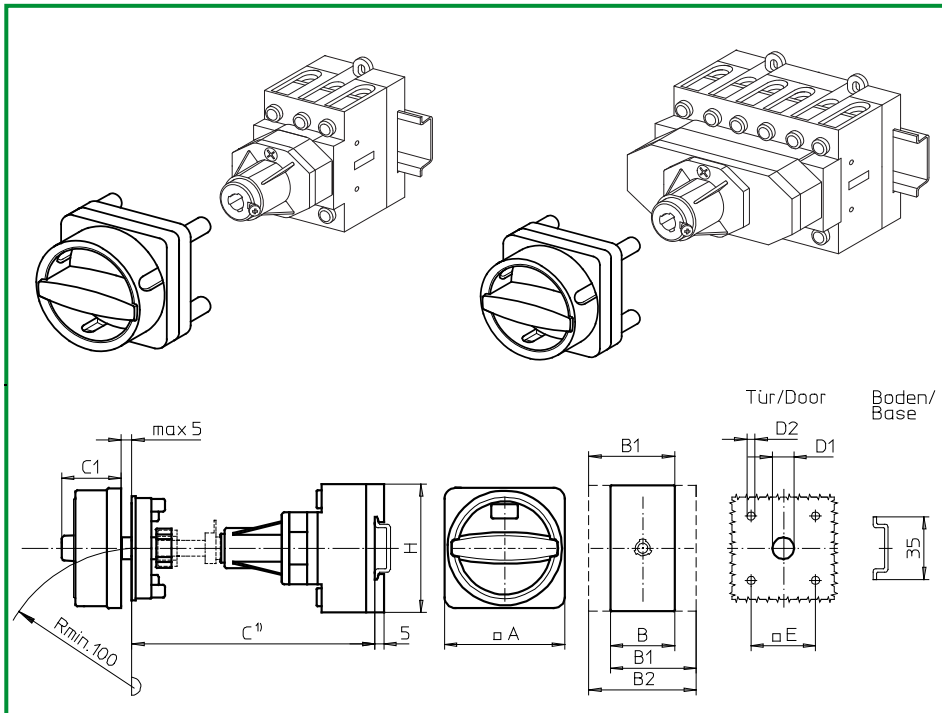
| SMD modules for basic switch A02   |  |  |  |                     |  |  |
|--|--|--|--|---------------------|--|--|
| Mounting form module for 257M.   |  |  |  | H200-A<br>H200-B/-D |  | <b>BFA2 - 257</b><br><b>BFB2 - 257</b> |
| M-padlock device 67 x 67 mm, mounting form 257M1<br>Escutcheon black, padlockable handle black |  |  |  | H200-A/-B/-D        |  | <b>4BM1</b>                            |
| M-padlock device 67 x 67 mm, mounting form 257M4<br>Escutcheon yellow, padlockable handle red  |  |  |  |                     |  | <b>4BM4</b>                            |

| Dimensions (mm) |    |    |    |    |    |    |    |    |    |
|-----------------|----|----|----|----|----|----|----|----|----|
| Product lines   | A  | B  | B1 | B2 | C1 | D1 | D2 | E  | H  |
| H200-A          | 67 | 36 | 48 | 60 | 38 | 15 | 5  | 48 | 70 |
| H200-B          | 67 | 50 | 69 | 88 | 38 | 15 | 5  | 48 | 72 |
| H200-D          | 67 | 72 | 84 | 96 | 38 | 15 | 5  | 48 | 70 |

**C<sup>1</sup>) Metal shaft is not included. Please order separately. See page B8-21.**

# Base Mounting Switches

# sälzer



**Product lines**  
**H200-A/-B/-D**

**Base mounting switch**  
Operator module of next size

**Door clutch**  
Metal shaft extension  
With shaft retaining screw

**Four hole mounting**  
48 x 48 mm front

**257N1** (IP66)  
**257N4** (IP66)

| Complete switch   | Poles   | Product lines | Rated data (IEC 60947)             |                               |            | Order code number            |
|---|---------|---------------|------------------------------------|-------------------------------|------------|------------------------------|
|   |         |               | Operational current I <sub>e</sub> | Operational power at 380–440V |            |                              |
|   |         |               | AC-21A<br>A                        | AC-23A<br>kW                  | AC-3<br>kW |                              |
| Main Switches<br>OFF position padlockable 12h               | 3 ... 8 | H200-A/-D     | 20                                 | 5,5                           | 3,7        | <b>H216 - 41 ... - 257N1</b> |
|   |         |               | 25                                 | 7,5                           | 5,5        | <b>H220 - 41 ... - 257N1</b> |
|   |         |               | 32                                 | 11                            | 7,5        | <b>H226 - 41 ... - 257N1</b> |
|   |         |               | 40                                 | 15                            | 11         | <b>H233 - 41 ... - 257N1</b> |
|   |         |               | 63                                 | 22                            | 18,5       | <b>H263 - 41 ... - 257N1</b> |
| Main/Emergency-Off Switches<br>OFF position padlockable 12h | 3 ... 8 | H200-A/-D     | 20                                 | 5,5                           | 3,7        | <b>H216 - 41 ... - 257N4</b> |
|   |         |               | 25                                 | 7,5                           | 5,5        | <b>H220 - 41 ... - 257N4</b> |
|   |         |               | 32                                 | 11                            | 7,5        | <b>H226 - 41 ... - 257N4</b> |
|   |         |               | 40                                 | 15                            | 11         | <b>H233 - 41 ... - 257N4</b> |
|   |         |               | 63                                 | 22                            | 18,5       | <b>H263 - 41 ... - 257N4</b> |
|   | 3 ... 4 | H200-B        |                                    |                               |            |                              |

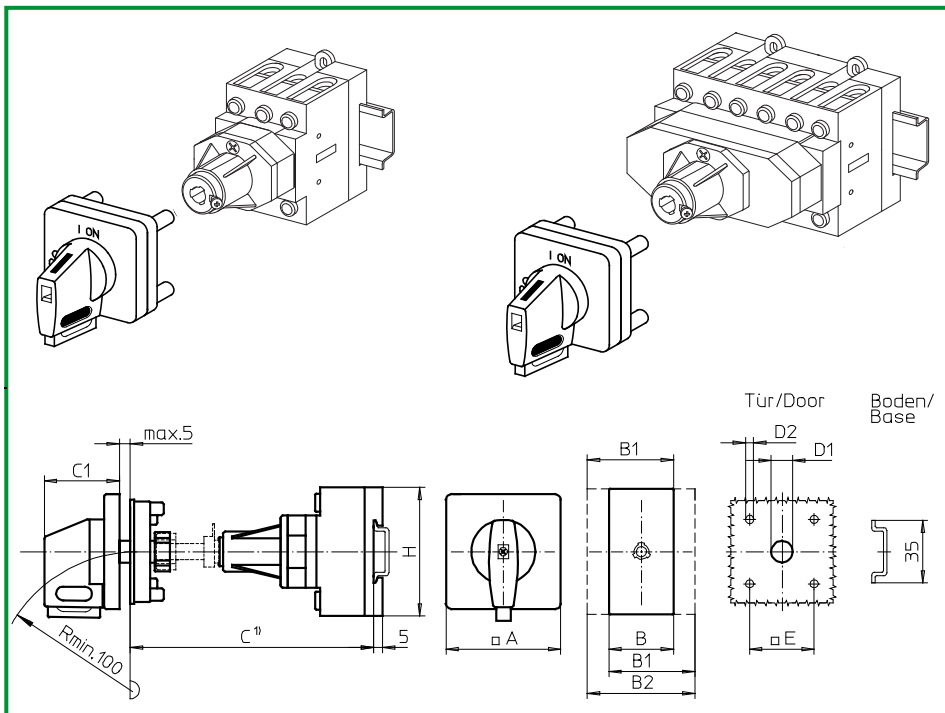
| SMD modules for basic switch A02   |                     |  |
|--|---------------------|--|
| Mounting form module for 237M.   | H200-A<br>H200-B/-D | <b>BFA2 - 257</b><br><b>BFB2 - 257</b> |
| N-padlock device 67 x 67 mm, mounting form 257N1<br>Escutcheon black, padlockable handle black | H200-A/-B/-D        | <b>4BN1</b>                            |
| N-padlock device 67 x 67 mm, mounting form 257N4<br>Escutcheon yellow, padlockable handle red  |                     | <b>4BN4</b>                            |

| Dimensions (mm) |    |    |    |    |    |    |    |    |    |
|-----------------|----|----|----|----|----|----|----|----|----|
| Product lines   | A  | B  | B1 | B2 | C1 | D1 | D2 | E  | H  |
| H200-A          | 67 | 36 | 48 | 60 | 33 | 15 | 5  | 48 | 70 |
| H200-B          | 67 | 50 | 69 | 88 | 33 | 15 | 5  | 48 | 72 |
| H200-D          | 67 | 72 | 84 | 96 | 33 | 15 | 5  | 48 | 70 |

**C<sup>1</sup>) Metal shaft is not included. Please order separately. See page B8-21.**

# Base Mounting Switches

# sälzer



**Product lines**  
**H200-A/-B/-D**

**Base mounting switch**  
Operator module of next size

**Door clutch**  
Metal shaft extension  
With shaft retaining screw

**Four hole mounting**  
48 x 48 mm front

**257V1** (IP66)  
**257V4** (IP66)

| Complete switch   | Poles   | Product lines | Rated data (IEC 60947)             |                               |            | Order code number            |
|---|---------|---------------|------------------------------------|-------------------------------|------------|------------------------------|
|   |         |               | Operational current I <sub>e</sub> | Operational power at 380–440V |            |                              |
|   |         |               | AC-21A<br>A                        | AC-23A<br>kW                  | AC-3<br>kW |                              |
| Main Switches<br>OFF position padlockable 09h               | 3 ... 8 | H200-A/-D     | 20                                 | 5,5                           | 3,7        | <b>H216 - 41 ... - 257V1</b> |
|   |         |               | 25                                 | 7,5                           | 5,5        | <b>H220 - 41 ... - 257V1</b> |
|   |         |               | 32                                 | 11                            | 7,5        | <b>H226 - 41 ... - 257V1</b> |
|   |         |               | 40                                 | 15                            | 11         | <b>H233 - 41 ... - 257V1</b> |
|   |         |               | 63                                 | 22                            | 18,5       | <b>H263 - 41 ... - 257V1</b> |
| Main/Emergency-Off Switches<br>OFF position padlockable 09h | 3 ... 8 | H200-A/-D     | 20                                 | 5,5                           | 3,7        | <b>H216 - 41 ... - 257V4</b> |
|   |         |               | 25                                 | 7,5                           | 5,5        | <b>H220 - 41 ... - 257V4</b> |
|   |         |               | 32                                 | 11                            | 7,5        | <b>H226 - 41 ... - 257V4</b> |
|   |         |               | 40                                 | 15                            | 11         | <b>H233 - 41 ... - 257V4</b> |
|   |         |               | 63                                 | 22                            | 18,5       | <b>H263 - 41 ... - 257V4</b> |
|   | 3 ... 4 | H200-B        |                                    |                               |            |                              |

| SMD modules for basic switch A02  |                     |  |
|---|---------------------|--|
| Mounting form module for 257V.  | H200-A<br>H200-B/-D | <b>BFA2 - 257</b><br><b>BFB2 - 257</b> |
| V-operator module 64 x 64 mm, mounting form 257V1<br>Escutcheon black, handle black | H200-A/-B/-D        | <b>4AV1 - 09</b>                       |
| Legend plate silver, operator module 257V1  |                     | <b>FAS4 - 9078</b>                     |
| V-operator module 64 x 64 mm, mounting form 257V4<br>Escutcheon black, handle red   |                     | <b>4AV4 - 09</b>                       |
| Legend plate yellow, operator module 257V4  |                     | <b>FBS4 - 9078</b>                     |

| Dimensions (mm) |    |    |    |    |    |    |    |    |    |
|-----------------|----|----|----|----|----|----|----|----|----|
| Product lines   | A  | B  | B1 | B2 | C1 | D1 | D2 | E  | H  |
| H200-A          | 64 | 36 | 48 | 60 | 39 | 15 | 5  | 48 | 70 |
| H200-B          | 64 | 50 | 69 | 88 | 39 | 15 | 5  | 48 | 72 |
| H200-D          | 64 | 72 | 84 | 96 | 39 | 15 | 5  | 48 | 70 |

**C<sup>1)</sup> Metal shaft is not included. Please order separately. See page B8-21.**

# Base Mounting Switches

# sälzer

**Product lines**  
**H200-A/B**

**Base mounting switch**

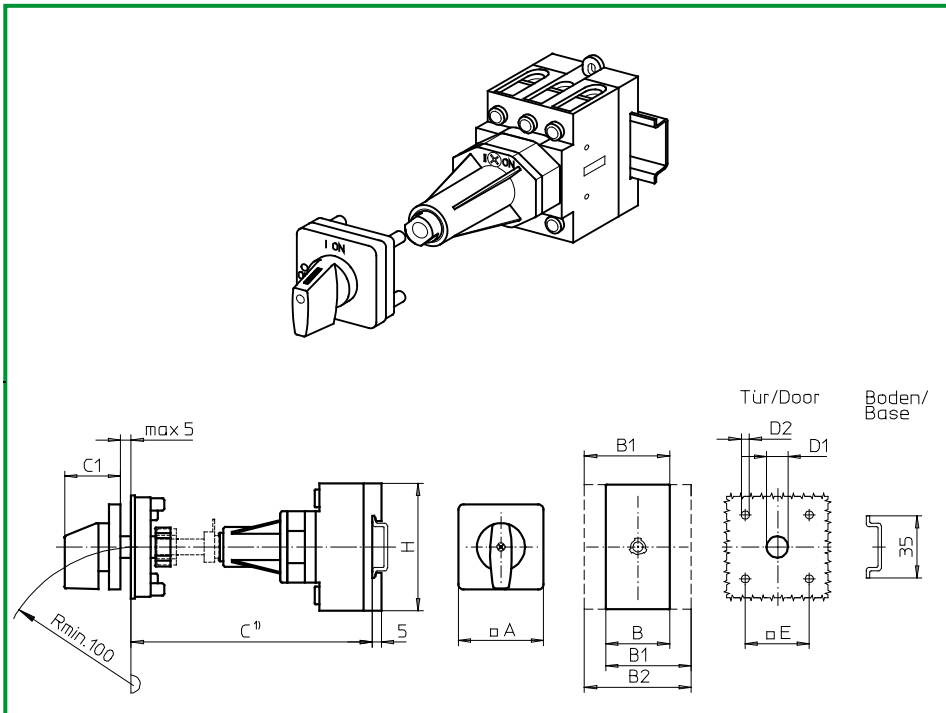
**Door clutch**

Metal shaft extension  
With shaft retaining bush

**Four hole mounting**

36 x 36 mm front

**441M1 (IP66)**



| Complete switch                        | Poles   | Product lines | Rated data (IEC 60947)             |                               |            | Order code number            |
|--|---------|---------------|------------------------------------|-------------------------------|------------|------------------------------|
|  |         |               | Operational current I <sub>e</sub> | Operational power at 380–440V |            |                              |
|  |         |               | AC-21A<br>A                        | AC-23A<br>kW                  | AC-3<br>kW |                              |
| ON-OFF Switches<br>Switching angle 90° | 3 ... 4 | H200-A        | 20                                 | 5,5                           | 3,7        | <b>H216 - 41 ... - 441M1</b> |
|  |         |               | 25                                 | 7,5                           | 5,5        | <b>H220 - 41 ... - 441M1</b> |
|  |         |               | 32                                 | 11                            | 7,5        | <b>H226 - 41 ... - 441M1</b> |
|  | 3 ... 4 | H200-B        | 40                                 | 15                            | 11         | <b>H233 - 41 ... - 441M1</b> |
|  |         |               | 63                                 | 22                            | 18,5       | <b>H263 - 41 ... - 441M1</b> |

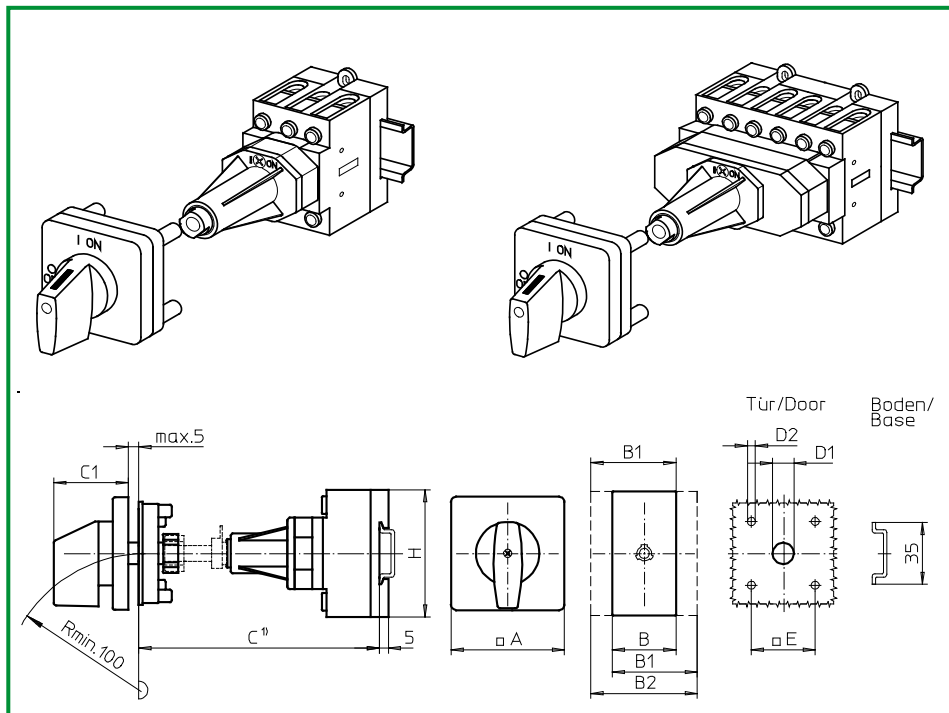
| SMD modules for basic switch A02  |                  |  |
|---|------------------|--|
| Mounting form module for 441M1  | H200-A<br>H200-B | <b>BFA2 - 441</b><br><b>BFB2 - 441</b> |
| M-operator module 48 x 48 mm, mounting form 441M1<br>Escutcheon black, handle black | H200-A/B         | <b>2AM1</b>                            |
| Legend plate silver, operator module 441M1  |                  | <b>FAS2 - 9...</b> (FA number)         |

| Dimensions (mm) |    |    |    |    |    |    |     |    |    |
|-----------------|----|----|----|----|----|----|-----|----|----|
| Product lines   | A  | B  | B1 | B2 | C1 | D1 | D2  | E  | H  |
| H200-A          | 48 | 36 | 48 | 60 | 32 | 15 | 4,5 | 36 | 70 |
| H200-B          | 48 | 50 | 69 | 88 | 32 | 15 | 4,5 | 36 | 72 |

**C<sup>1)</sup> Metal shaft is not included. Please order separately. See page B8-21.**

# Base Mounting Switches

# sälzer



**Product lines**  
H200-A/-B/-D/-E

**Base mounting switch**  
Operator module of next size

**Door clutch**  
Metal shaft extension  
With shaft retaining bush

**Four hole mounting**  
48 x 48 mm front

**447M1** (IP66)

| Complete switch                            | Poles   | Product lines | Rated data (IEC 60947)             |                               |            | Order code number            |
|--|---------|---------------|------------------------------------|-------------------------------|------------|------------------------------|
|  |         |               | Operational current I <sub>e</sub> | Operational power at 380–440V |            |                              |
|  |         |               | AC-21A<br>A                        | AC-23A<br>kW                  | AC-3<br>kW |                              |
| ON-OFF Switches<br>Switching angle 90°     | 3 ... 8 | H200-A/-D     | 20                                 | 5,5                           | 3,7        | <b>H216 - 41 ... - 447M1</b> |
|  |         |               | 25                                 | 7,5                           | 5,5        | <b>H220 - 41 ... - 447M1</b> |
|  |         |               | 32                                 | 11                            | 7,5        | <b>H226 - 41 ... - 447M1</b> |
|  |         |               | 40                                 | 15                            | 11         | <b>H233 - 41 ... - 447M1</b> |
|  |         |               | 63                                 | 22                            | 18,5       | <b>H263 - 41 ... - 447M1</b> |
| Changeover with OFF<br>Switching angle 90° | 3 ... 4 | H200-E        | 20                                 | 5,5                           | 3,7        | <b>H216 - 71 ... - 447M1</b> |
|  |         |               | 25                                 | 7,5                           | 5,5        | <b>H220 - 71 ... - 447M1</b> |
|  |         |               | 32                                 | 11                            | 7,5        | <b>H226 - 71 ... - 447M1</b> |
|  |         |               | 40                                 | 15                            | 11         | <b>H233 - 71 ... - 447M1</b> |

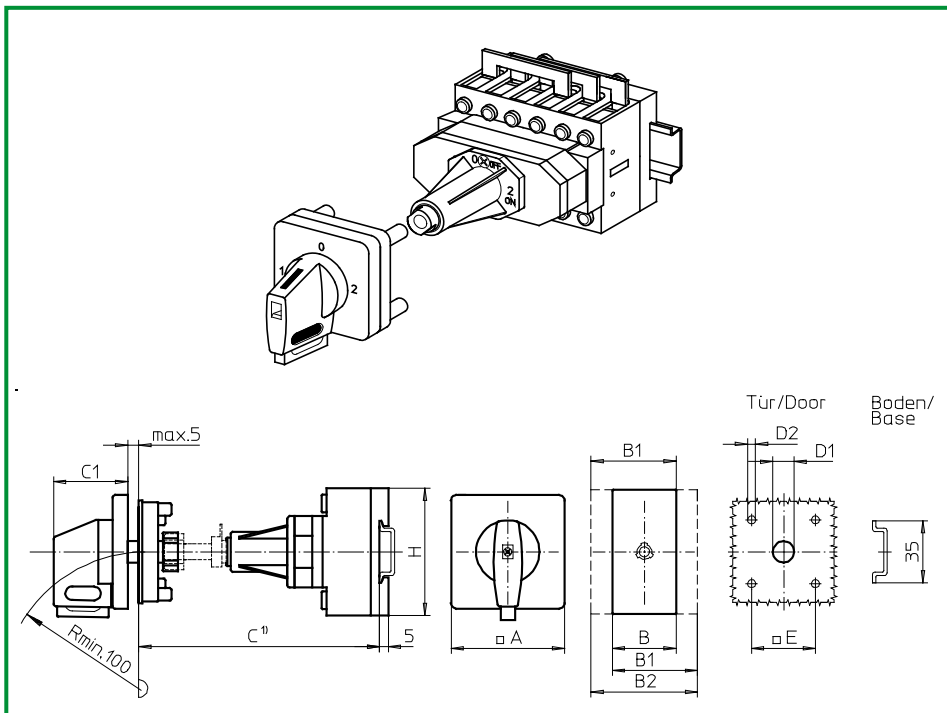
| SMD modules for basic switch A02  |                               |   |
|---|-------------------------------|---|
| Mounting form module for 447M1  | H200-A<br>H200-B/-D<br>H200-E | <b>BFA2 - 447</b><br><b>BFB2 - 447</b><br><b>BFC2 - 447</b> |
| M-operator module 64 x 64 mm, mounting form 447M1<br>Escutcheon black, handle black | H200-A/-B/-D/-E               | <b>4AM1</b>   |
| Legend plate silver, operator module 447M1  |                               | <b>FAS4 - 9...</b> (FA number)                              |

| Dimensions (mm) |    |    |    |    |    |    |    |    |    |
|-----------------|----|----|----|----|----|----|----|----|----|
| Product lines   | A  | B  | B1 | B2 | C1 | D1 | D2 | E  | H  |
| H200-A          | 64 | 36 | 48 | 60 | 40 | 15 | 5  | 48 | 70 |
| H200-B          | 64 | 50 | 69 | 88 | 40 | 15 | 5  | 48 | 72 |
| H200-D          | 64 | 72 | 84 | 96 | 40 | 15 | 5  | 48 | 70 |
| H200-E          | 64 | 72 | 84 | 96 | 40 | 15 | 5  | 48 | 70 |

C<sup>1</sup>) Metal shaft is not included. Please order separately. See page B8-21.

# Base Mounting Switches

# sälzer



**Product line**  
**H200-E**

**Base mounting switch**  
Operator module of next size

**Door clutch**  
Metal shaft extension  
With shaft retaining bush

**Four hole mounting**  
8 × 48 mm front

**447V1** (IP66)

**446V1** (IP66)

| Complete switch  | Poles   | Product lines | Rated data (IEC 60947)             |                               |            | Order code number            |
|--|---------|---------------|------------------------------------|-------------------------------|------------|------------------------------|
|  |         |               | Operational current I <sub>e</sub> | Operational power at 380–440V |            |                              |
|  |         |               | AC-21A<br>A                        | AC-23A<br>kW                  | AC-3<br>kW |                              |
| Changeover with OFF<br>Switching angle 90°<br>OFF position padlockable 12h             | 3 ... 4 | H200-E        | 20                                 | 5,5                           | 3,7        | <b>H216 - 71 ... - 447V1</b> |
|  |         |               | 25                                 | 7,5                           | 5,5        | <b>H220 - 71 ... - 447V1</b> |
|  |         |               | 32                                 | 11                            | 7,5        | <b>H226 - 71 ... - 447V1</b> |
|  |         |               | 40                                 | 15                            | 11         | <b>H233 - 11 ... - 447V1</b> |
| Changeover with OFF<br>Switching angle 90°<br>3 positions padlockable<br>(09h/12h/03h) | 3 ... 4 | H200-E        | 20                                 | 5,5                           | 3,7        | <b>H216 - 71 ... - 446V1</b> |
|  |         |               | 25                                 | 7,5                           | 5,5        | <b>H220 - 71 ... - 446V1</b> |
|  |         |               | 32                                 | 11                            | 7,5        | <b>H226 - 71 ... - 446V1</b> |
|  |         |               | 40                                 | 15                            | 11         | <b>H233 - 71 ... - 446V1</b> |

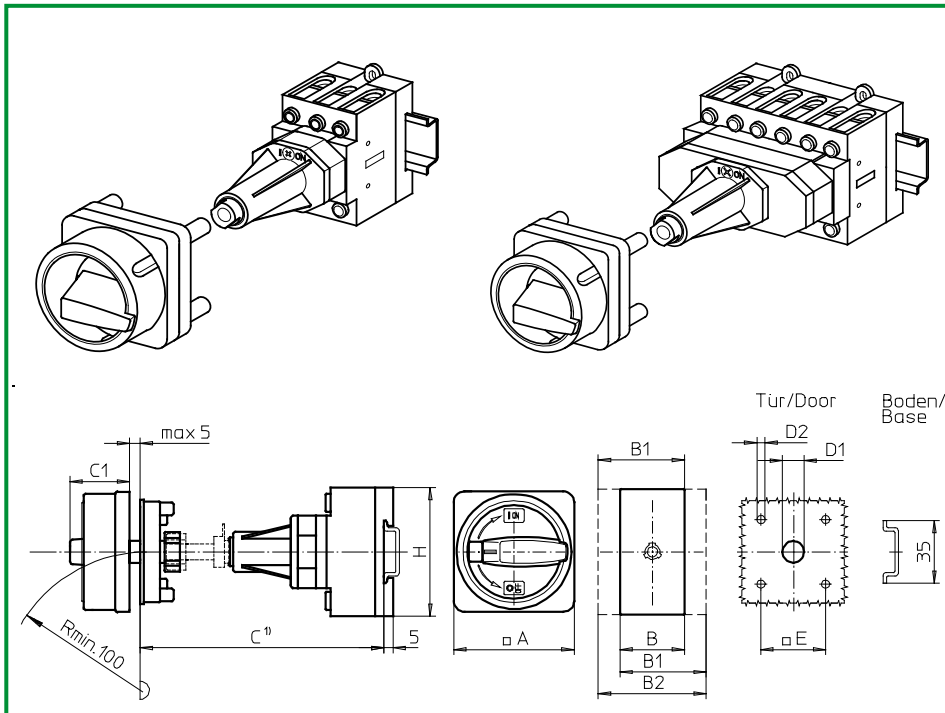
| SMD modules for basic switch A02  |        |                                |
|---|--------|--------------------------------|
| Mounting form module for 447V1/446V1  | H200-E | <b>BFC2 - 447</b>              |
| V-operator module 64 × 64 mm, mounting form 447V1<br>Escutcheon black, handle black |        | <b>4AV1 - 12</b>               |
| V-operator module 64 × 64 mm, mounting form 446V1<br>Escutcheon black, handle black |        | <b>4AV1 - 99</b>               |
| Legend plate silver, operator modules 447V1/446V1                                   |        | <b>FAS4 - .... (FA number)</b> |

| Dimensions (mm) |    |    |    |    |    |    |    |    |    |
|-----------------|----|----|----|----|----|----|----|----|----|
| Product line    | A  | B  | B1 | B2 | C1 | D1 | D2 | E  | H  |
| H200-E          | 64 | 72 | 84 | 96 | 40 | 15 | 5  | 48 | 70 |

**C<sup>1</sup>) Metal shaft is not included. Please order separately. See page B8-21.**

# Base Mounting Switches

# sälzer



**Product lines**  
H200-A/-B/-D

**Base mounting switch**

**Door clutch**

Metal shaft extension  
With shaft retaining bush

**Four hole mounting**

36 x 36 mm front

**432M1** (IP66)

**432M4** (IP66)

| Complete switch  | Poles                          | Product lines | Rated data (IEC 60947)             |                               |            | Order code number                      |
|--|--------------------------------|---------------|------------------------------------|-------------------------------|------------|--|
|  |                                |               | Operational current I <sub>e</sub> | Operational power at 380–440V |            |  |
|  |                                |               | AC-21A<br>A                        | AC-23A<br>kW                  | AC-3<br>kW |  |
| Main Switches<br>OFF position padlockable 09h  | 3 ... 8                        | H200-A/-D     | 20                                 | 5,5                           | 3,7        | <b>H216 - 41 ... - 432M1</b>           |
|  |                                |               | 25                                 | 7,5                           | 5,5        | <b>H220 - 41 ... - 432M1</b>           |
|  |                                |               | 32                                 | 11                            | 7,5        | <b>H226 - 41 ... - 432M1</b>           |
|  |                                |               | 40                                 | 15                            | 11         | <b>H233 - 41 ... - 432M1</b>           |
|  |                                |               | 63                                 | 22                            | 18,5       | <b>H263 - 41 ... - 432M1</b>           |
| Main/Emergency-Off Switches<br>OFF position padlockable 09h                                    | 3 ... 8                        | H200-A/-D     | 20                                 | 5,5                           | 3,7        | <b>H216 - 41 ... - 432M4</b>           |
|  |                                |               | 25                                 | 7,5                           | 5,5        | <b>H220 - 41 ... - 432M4</b>           |
|  |                                |               | 32                                 | 11                            | 7,5        | <b>H226 - 41 ... - 432M4</b>           |
|  |                                |               | 40                                 | 15                            | 11         | <b>H233 - 41 ... - 432M4</b>           |
|  |                                |               | 63                                 | 22                            | 18,5       | <b>H263 - 41 ... - 432M4</b>           |
| SMD modules for basic switch A02   |                                |               |                                    |                               |            |  |
|  | Mounting form module for 432M. |               | H200-A<br>H200-B/-D                |                               |            | <b>BFA2 - 432</b><br><b>BFB2 - 432</b> |
| M-padlock device 67 x 67 mm, mounting form 432M1<br>Escutcheon black, padlockable handle black |                                |               | H200-A/-B/-D                       |                               |            | <b>2CM1</b>                            |
| M-padlock device 67 x 67 mm, mounting form 432M4<br>Escutcheon yellow, padlockable handle red  |                                |               |                                    |                               |            | <b>2CM4</b>                            |

## Dimensions (mm)

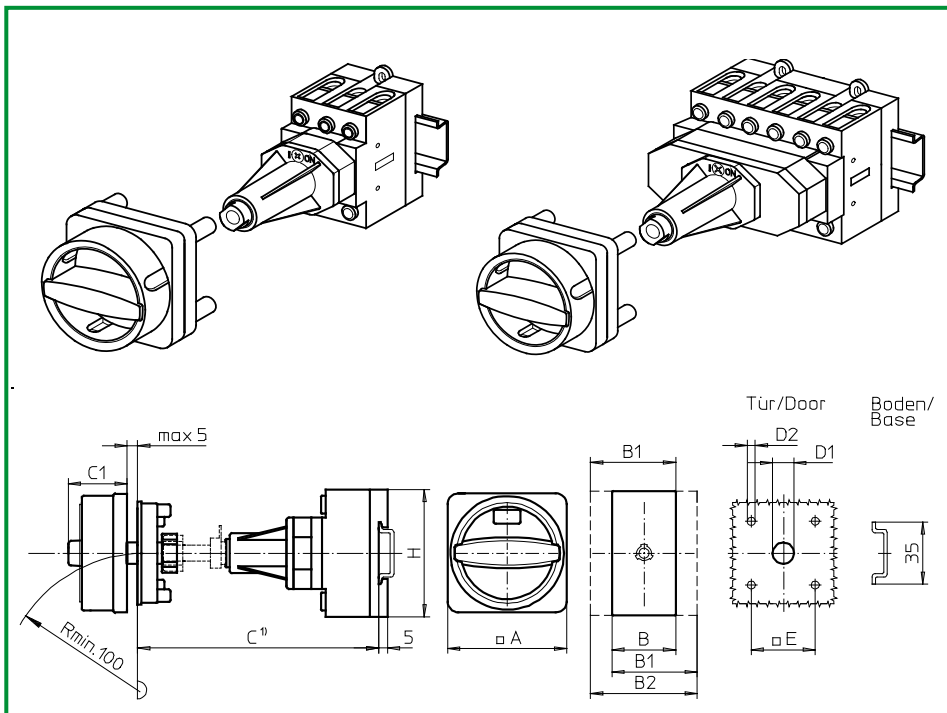
| Product lines | A  | B  | B1 | B2 | C1 | D1 | D2  | E  | H  |
|---------------|----|----|----|----|----|----|-----|----|----|
| H200-A        | 67 | 36 | 48 | 60 | 38 | 15 | 4,5 | 36 | 70 |
| H200-B        | 67 | 50 | 69 | 88 | 38 | 15 | 4,5 | 36 | 72 |
| H200-D        | 67 | 72 | 84 | 96 | 38 | 15 | 4,5 | 36 | 70 |

**C<sup>1</sup>)** Metal shaft is not included. Please order separately. See page B8-21.



# Base Mounting Switches

# sälzer



**Product lines**  
H200-A/-B/-D

**Base mounting switch**

**Door clutch**

Metal shaft extension  
With shaft retaining bush

**Four hole mounting**

36 × 36 mm front

**432N1** (IP66)

**432N4** (IP66)

| Complete switch   | Poles   | Product lines | Rated data (IEC 60947)             |                               |            | Order code number            |
|---|---------|---------------|------------------------------------|-------------------------------|------------|------------------------------|
|   |         |               | Operational current I <sub>e</sub> | Operational power at 380–440V |            |                              |
|   |         |               | AC-21A<br>A                        | AC-23A<br>kW                  | AC-3<br>kW |                              |
| Main Switches<br>OFF position padlockable 12h               | 3 ... 8 | H200-A/-D     | 20                                 | 5,5                           | 3,7        | <b>H216 - 41 ... - 432N1</b> |
|   |         |               | 25                                 | 7,5                           | 5,5        | <b>H220 - 41 ... - 432N1</b> |
|   |         |               | 32                                 | 11                            | 7,5        | <b>H226 - 41 ... - 432N1</b> |
|   |         |               | 40                                 | 15                            | 11         | <b>H233 - 41 ... - 432N1</b> |
|   |         |               | 63                                 | 22                            | 18,5       | <b>H263 - 41 ... - 432N1</b> |
| Main/Emergency-Off Switches<br>OFF position padlockable 12h | 3 ... 8 | H200-A/-D     | 20                                 | 5,5                           | 3,7        | <b>H216 - 41 ... - 432N4</b> |
|   |         |               | 25                                 | 7,5                           | 5,5        | <b>H220 - 41 ... - 432N4</b> |
|   |         |               | 32                                 | 11                            | 7,5        | <b>H226 - 41 ... - 432N4</b> |
|   |         |               | 40                                 | 15                            | 11         | <b>H233 - 41 ... - 432N4</b> |
|   |         |               | 63                                 | 22                            | 18,5       | <b>H263 - 41 ... - 432N4</b> |
|   | 3 ... 4 | H200-B        |                                    |                               |            |                              |

## SMD modules for basic switch A02

Mounting form module for 432N.

H200-A  
H200-B/-D

**BFA2 - 432**  
**BFB2 - 432**

N-padlock device 67 × 67 mm, mounting form 432N1  
Escutcheon black, padlockable handle black

H200-A/-B/-D

**2CN1**

N-padlock device 67 × 67 mm, mounting form 432N4  
Escutcheon yellow, padlockable handle red

**2CN4**

## Dimensions (mm)

| Product lines | A  | B  | B1 | B2 | C1 | D1 | D2  | E  | H  |
|---------------|----|----|----|----|----|----|-----|----|----|
| H200-A        | 67 | 36 | 48 | 60 | 33 | 15 | 4,5 | 36 | 70 |
| H200-B        | 67 | 50 | 69 | 88 | 33 | 15 | 4,5 | 36 | 72 |
| H200-D        | 67 | 72 | 84 | 96 | 33 | 15 | 4,5 | 36 | 70 |

**C<sup>1</sup>)** Metal shaft is not included. Please order separately. See page B8-21.

# Base Mounting Switches

# sälzer

**Product lines**  
**H200-A/-B**

**Base mounting switch**

**Door clutch**

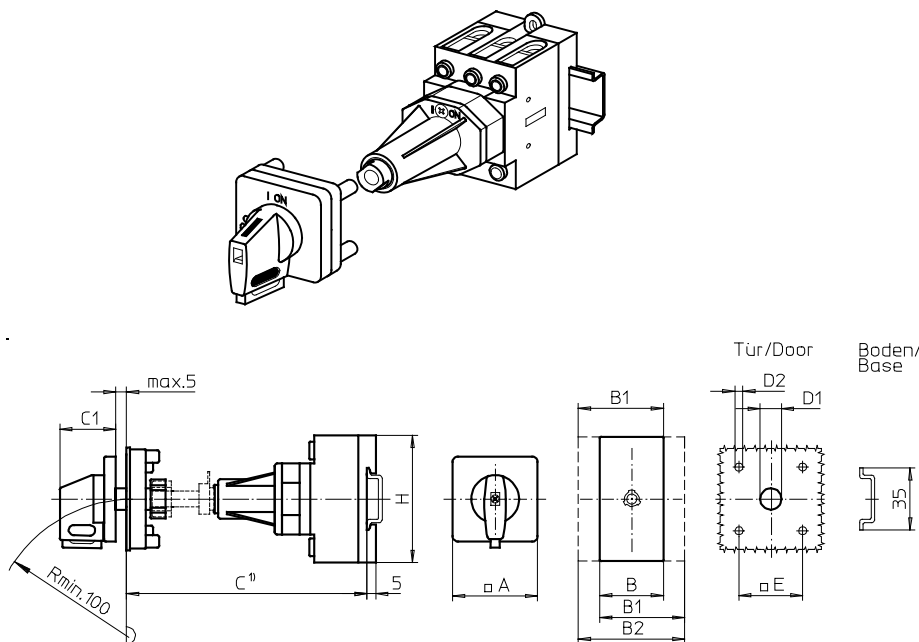
Metal shaft extension  
With shaft retaining bush

**Four hole mounting**

36 × 36 mm front

**432V1** (IP66)

**432V4** (IP66)



| Complete switch   | Poles   | Product lines | Rated data (IEC 60947)             |              |                               | Order code number            |
|---|---------|---------------|------------------------------------|--------------|-------------------------------|------------------------------|
|   |         |               | Operational current I <sub>e</sub> |              | Operational power at 380–440V |                              |
|   |         |               | AC-21A<br>A                        | AC-23A<br>kW |                               |                              |
| Main Switches<br>OFF position padlockable 09h               | 3 ... 4 | H200-A        | 20                                 | 5,5          | 3,7                           | <b>H216 - 41 ... - 432V1</b> |
|   |         |               | 25                                 | 7,5          | 5,5                           | <b>H220 - 41 ... - 432V1</b> |
|   |         |               | 32                                 | 11           | 7,5                           | <b>H226 - 41 ... - 432V1</b> |
|   |         |               | 40                                 | 15           | 11                            | <b>H233 - 41 ... - 432V1</b> |
|   |         |               | 63                                 | 22           | 18,5                          | <b>H263 - 41 ... - 432V1</b> |
| Main/Emergency-Off Switches<br>OFF position padlockable 09h | 3 ... 4 | H200-A        | 20                                 | 5,5          | 3,7                           | <b>H216 - 41 ... - 432V4</b> |
|   |         |               | 25                                 | 7,5          | 5,5                           | <b>H220 - 41 ... - 432V4</b> |
|   |         |               | 32                                 | 11           | 7,5                           | <b>H226 - 41 ... - 432V4</b> |
|   |         |               | 40                                 | 15           | 11                            | <b>H233 - 41 ... - 432V4</b> |
|   |         |               | 63                                 | 22           | 18,5                          | <b>H263 - 41 ... - 432V4</b> |

## SMD modules for basic switch A02

Mounting form module for 432V.

H200-A  
H200-B

**BFA2 - 441**  
**BFB2 - 441**

V-operator module 48 × 48 mm, mounting form 432V1  
Escutcheon black, handle black

H200-A/-B

**2AV1 - 09**

Legend plate silver, operator module 432V1

**FAS2 - 9078**

V-operator module 48 × 48 mm, mounting form 432V4  
Escutcheon black, handle red

**2AV4 - 09**

Legend plate yellow, operator module 432V4

**FBS2 - 9078**

## Dimensions (mm)

| Product lines | A  | B  | B1 | B2 | C1 | D1 | D2  | E  | H  |
|---------------|----|----|----|----|----|----|-----|----|----|
| H200-A        | 48 | 36 | 48 | 60 | 32 | 15 | 4,5 | 36 | 70 |
| H200-B        | 48 | 50 | 69 | 88 | 32 | 15 | 4,5 | 36 | 72 |

**C<sup>1)</sup> Metal shaft is not included. Please order separately. See page B8-21.**

# Base Mounting Switches

# sälzer

**Product lines**  
**H200-A/-B**

**Base mounting switch**

**Door clutch**

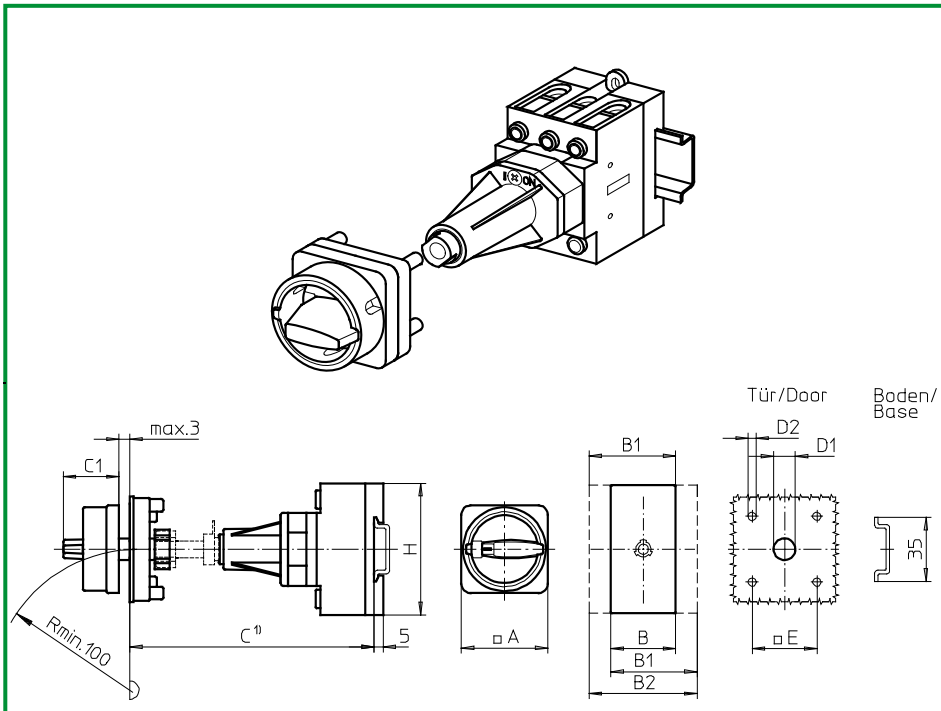
Metal shaft extension  
With shaft retaining bush

**Four hole mounting**

36 x 36 mm front

**431M1** (IP66)

**431M4** (IP66)



| Complete switch   | Poles   | Product lines | Rated data (IEC 60947)   |                               |                  | Order code number              |  |
|---|---------|---------------|--|-------------------------------|------------------|--------------------------------|--|
|   |         |               | Operational current I <sub>e</sub>   | Operational power at 380–440V |                  |                                |  |
|   |         |               | AC-21A<br>A  | AC-23A<br>kW                  | AC-3<br>kW       |                                |  |
| Main Switches<br>OFF position padlockable 09h               | 3 ... 4 | H200-A        | 20   | 5,5                           | 3,7              | <b>H216 - 41 ... - 431M1</b>   |  |
|   |         |               | 25   | 7,5                           | 5,5              | <b>H220 - 41 ... - 431M1</b>   |  |
|   |         |               | 32   | 11                            | 7,5              | <b>H226 - 41 ... - 431M1</b>   |  |
|   |         |               | 40   | 15                            | 11               | <b>H233 - 41 ... - 431M1</b>   |  |
|   |         |               | 63   | 22                            | 18,5             | <b>H263 - 41 ... - 431M1</b>   |  |
| Main/Emergency-Off Switches<br>OFF position padlockable 09h | 3 ... 4 | H200-A        | 20   | 5,5                           | 3,7              | <b>H216 - 41 ... - 431M4</b>   |  |
|   |         |               | 25   | 7,5                           | 5,5              | <b>H220 - 41 ... - 431M4</b>   |  |
|   |         |               | 32   | 11                            | 7,5              | <b>H226 - 41 ... - 431M4</b>   |  |
|   |         |               | 40   | 15                            | 11               | <b>H233 - 41 ... - 431M4</b>   |  |
|   |         |               | 63   | 22                            | 18,5             | <b>H263 - 41 ... - 431M4</b>   |  |
| SMD modules for basic switch A02                            |         |               | Mounting form module for 431M.   |                               |                  | <b>H200-A</b><br><b>H200-B</b> | <b>BFA2 - 441</b><br><b>BFB2 - 441</b> |
|   |         |               | M-padlock device 48 x 48 mm, mounting form 431M1<br>Escutcheon black, padlockable handle black |                               | <b>H200-A/-B</b> | <b>2BM1</b>                    |  |
|   |         |               | M-padlock device 48 x 48 mm, mounting form 431M4<br>Escutcheon yellow, padlockable handle red  |                               |                  | <b>2BM4</b>                    |  |
|   |         |               |  |                               |                  |                                |  |

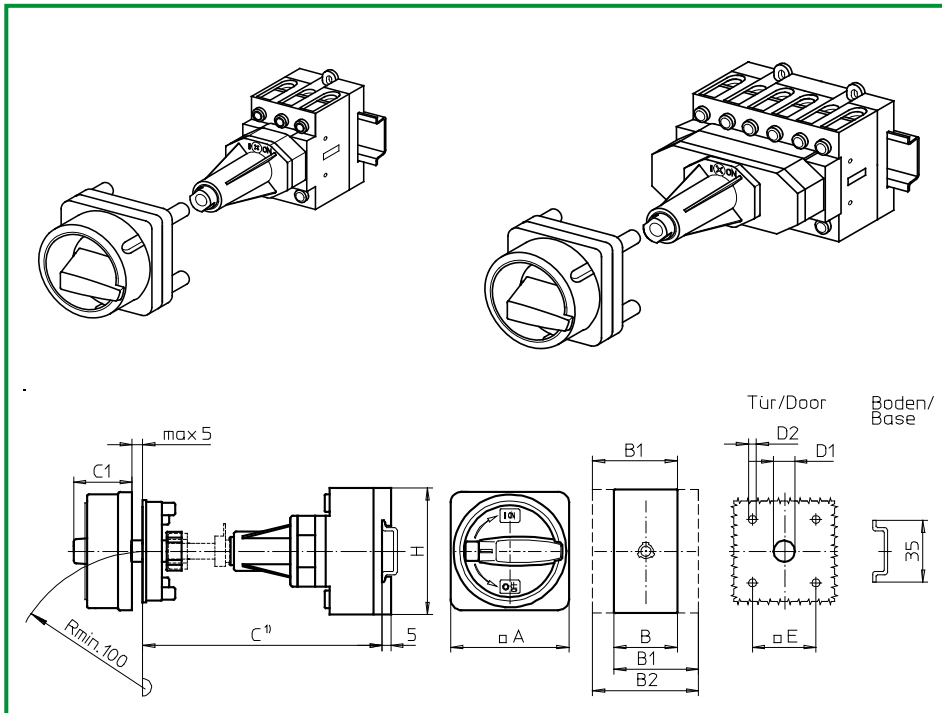
## Dimensions (mm)

| Product lines | A  | B  | B1 | B2 | C1 | D1 | D2  | E  | H  |
|---------------|----|----|----|----|----|----|-----|----|----|
| H200-A        | 48 | 36 | 48 | 60 | 31 | 15 | 4,5 | 36 | 70 |
| H200-B        | 48 | 50 | 69 | 88 | 31 | 15 | 4,5 | 36 | 72 |

**C<sup>1)</sup> Metal shaft is not included. Please order separately. See page B8-21.**

# Base Mounting Switches

# sälzer



**Product lines**  
H200-A/-B/-D

**Base mounting switch**  
Operator module of next size

**Door clutch**  
Metal shaft extension  
With shaft retaining bush

**Four hole mounting**  
48 x 48 mm front

**437M1** (IP66)

**437M4** (IP66)

| Complete switch   | Poles   | Product lines | Rated data (IEC 60947)   |                               |                     | Order code number                      |
|---|---------|---------------|--|-------------------------------|---------------------|--|
|   |         |               | Operational current I <sub>e</sub>   | Operational power at 380–440V |                     |  |
|   |         |               | AC-21A<br>A  | AC-23A<br>kW                  | AC-3<br>kW          |  |
| Main Switches<br>OFF position padlockable 09h               | 3 ... 8 | H200-A/-D     | 20   | 5,5                           | 3,7                 | <b>H216 - 41 ... - 437M1</b>           |
|   |         |               | 25   | 7,5                           | 5,5                 | <b>H220 - 41 ... - 437M1</b>           |
|   |         |               | 32   | 11                            | 7,5                 | <b>H226 - 41 ... - 437M1</b>           |
|   |         |               | 40   | 15                            | 11                  | <b>H233 - 41 ... - 437M1</b>           |
|   |         |               | 63   | 22                            | 18,5                | <b>H263 - 41 ... - 437M1</b>           |
| Main/Emergency-Off Switches<br>OFF position padlockable 09h | 3 ... 8 | H200-A/-D     | 20   | 5,5                           | 3,7                 | <b>H216 - 41 ... - 437M4</b>           |
|   |         |               | 25   | 7,5                           | 5,5                 | <b>H220 - 41 ... - 437M4</b>           |
|   |         |               | 32   | 11                            | 7,5                 | <b>H226 - 41 ... - 437M4</b>           |
|   |         |               | 40   | 15                            | 11                  | <b>H233 - 41 ... - 437M4</b>           |
|   |         |               | 63   | 22                            | 18,5                | <b>H263 - 41 ... - 437M4</b>           |
| SMD modules for basic switch A02                            |         |               | Mounting form module for 437M.   |                               |                     | <b>BFA2 - 437</b><br><b>BFB2 - 437</b> |
|   |         |               | M-padlock device 67 x 67 mm, mounting form 437M1<br>Escutcheon black, padlockable handle black |                               | H200-A<br>H200-B/-D | <b>4BM1</b>                            |
|   |         |               | M-padlock device 67 x 67 mm, mounting form 437M4<br>Escutcheon yellow, padlockable handle red  |                               | H200-A/-B/-D        | <b>4BM4</b>                            |

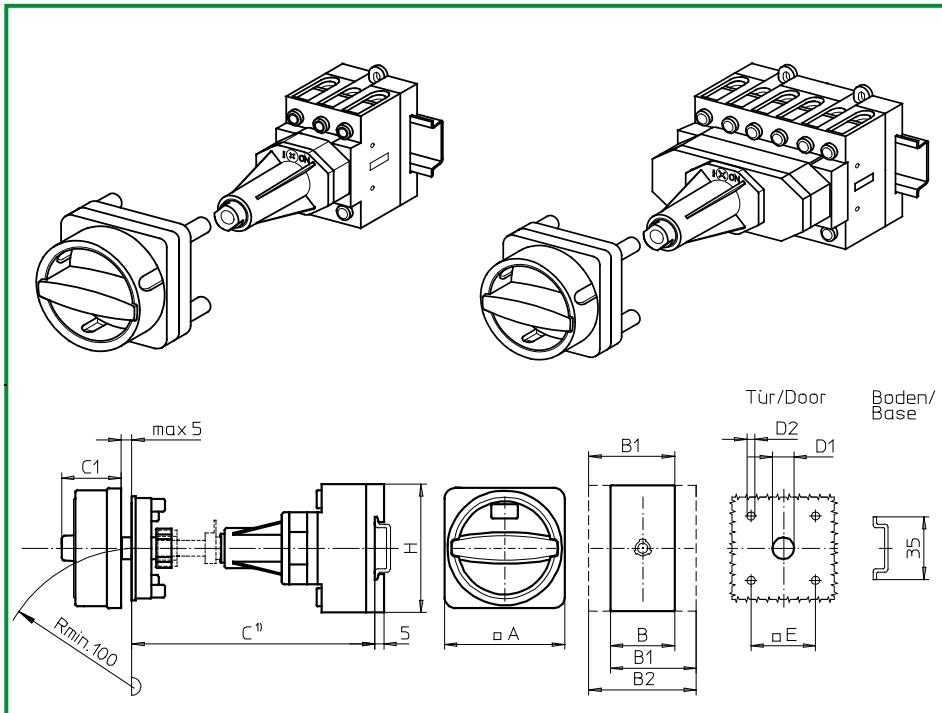
## Dimensions (mm)

| Product lines | A  | B  | B1 | B2 | C1 | D1 | D2 | E  | H  |
|---------------|----|----|----|----|----|----|----|----|----|
| H200-A        | 67 | 36 | 48 | 60 | 38 | 15 | 5  | 48 | 70 |
| H200-B        | 67 | 50 | 69 | 88 | 38 | 15 | 5  | 48 | 72 |
| H200-D        | 67 | 72 | 84 | 96 | 38 | 15 | 5  | 48 | 70 |

**C<sup>1</sup>)** Metal shaft is not included. Please order separately. See page B8-21.

# Base Mounting Switches

**sälzer**



**Product lines**  
**H200-A/-B/-D**

**Base mounting switch**  
Operator module of next size

**Door clutch**  
Metal shaft extension  
With shaft retaining bush

**Four hole mounting**  
48 x 48 mm front

**437N1** (IP66)  
**437N4** (IP66)

| Complete switch   | Poles   | Product lines | Rated data (IEC 60947)             |                               |            | Order code number            |
|---|---------|---------------|------------------------------------|-------------------------------|------------|------------------------------|
|   |         |               | Operational current I <sub>e</sub> | Operational power at 380–440V |            |                              |
|   |         |               | AC-21A<br>A                        | AC-23A<br>kW                  | AC-3<br>kW |                              |
| Main Switches<br>OFF position padlockable 12h               | 3 ... 8 | H200-A/-D     | 20                                 | 5,5                           | 3,7        | <b>H216 - 41 ... - 437N1</b> |
|   |         |               | 25                                 | 7,5                           | 5,5        | <b>H220 - 41 ... - 437N1</b> |
|   |         |               | 32                                 | 11                            | 7,5        | <b>H226 - 41 ... - 437N1</b> |
|   |         |               | 40                                 | 15                            | 11         | <b>H233 - 41 ... - 437N1</b> |
|   |         |               | 63                                 | 22                            | 18,5       | <b>H263 - 41 ... - 437N1</b> |
| Main/Emergency-Off Switches<br>OFF position padlockable 12h | 3 ... 8 | H200-A/-D     | 20                                 | 5,5                           | 3,7        | <b>H216 - 41 ... - 437N4</b> |
|   |         |               | 25                                 | 7,5                           | 5,5        | <b>H220 - 41 ... - 437N4</b> |
|   |         |               | 32                                 | 11                            | 7,5        | <b>H226 - 41 ... - 437N4</b> |
|   |         |               | 40                                 | 15                            | 11         | <b>H233 - 41 ... - 437N4</b> |
|   |         |               | 63                                 | 22                            | 18,5       | <b>H263 - 41 ... - 437N4</b> |
|   | 3 ... 4 | H200-B        |                                    |                               |            |                              |

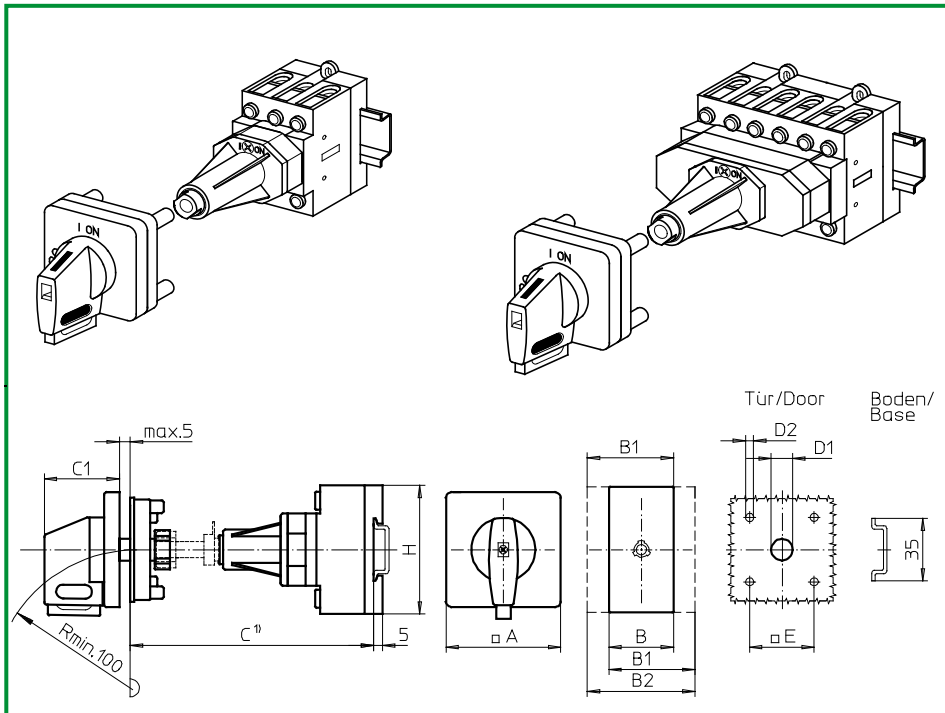
| SMD modules for basic switch A02   |                     |  |
|--|---------------------|--|
| Mounting form module for 237N.   | H200-A<br>H200-B/-D | <b>BFA2 - 437</b><br><b>BFB2 - 437</b> |
| N-padlock device 67 x 67 mm, mounting form 437N1<br>Escutcheon black, padlockable handle black | H200-A/-B/-D        | <b>4BN1</b>                            |
| N-padlock device 67 x 67 mm, mounting form 437N4<br>Escutcheon yellow, padlockable handle red  |                     | <b>4BN4</b>                            |

| Dimensions (mm) |    |    |    |    |    |    |    |    |    |
|-----------------|----|----|----|----|----|----|----|----|----|
| Product lines   | A  | B  | B1 | B2 | C1 | D1 | D2 | E  | H  |
| H200-A          | 67 | 36 | 48 | 60 | 33 | 15 | 5  | 48 | 70 |
| H200-B          | 67 | 50 | 69 | 88 | 33 | 15 | 5  | 48 | 72 |
| H200-D          | 67 | 72 | 84 | 96 | 33 | 15 | 5  | 48 | 70 |

**C<sup>1</sup>) Metal shaft is not included. Please order separately. See page B8-21.**

# Base Mounting Switches

# sälzer



**Product lines**  
H200-A/-B/-D

**Base mounting switch**  
Operator module of next size

**Door clutch**  
Metal shaft extension  
With shaft retaining bush

**Four hole mounting**  
48 x 48 mm front

**437V1** (IP66)

**437V4** (IP66)

| Complete switch   | Poles   | Product lines | Rated data (IEC 60947)             |                               |            | Order code number            |
|---|---------|---------------|------------------------------------|-------------------------------|------------|------------------------------|
|   |         |               | Operational current I <sub>e</sub> | Operational power at 380–440V |            |                              |
|   |         |               | AC-21A<br>A                        | AC-23A<br>kW                  | AC-3<br>kW |                              |
| Main Switches<br>OFF position padlockable 09h               | 3 ... 8 | H200-A/-D     | 20                                 | 5,5                           | 3,7        | <b>H216 - 41 ... - 437V1</b> |
|   |         |               | 25                                 | 7,5                           | 5,5        | <b>H220 - 41 ... - 437V1</b> |
|   |         |               | 32                                 | 11                            | 7,5        | <b>H226 - 41 ... - 437V1</b> |
|   |         |               | 40                                 | 15                            | 11         | <b>H233 - 41 ... - 437V1</b> |
|   |         |               | 63                                 | 22                            | 18,5       | <b>H263 - 41 ... - 437V1</b> |
| Main/Emergency-Off Switches<br>OFF position padlockable 09h | 3 ... 8 | H200-A/-D     | 20                                 | 5,5                           | 3,7        | <b>H216 - 41 ... - 437V4</b> |
|   |         |               | 25                                 | 7,5                           | 5,5        | <b>H220 - 41 ... - 437V4</b> |
|   |         |               | 32                                 | 11                            | 7,5        | <b>H226 - 41 ... - 437V4</b> |
|   |         |               | 40                                 | 15                            | 11         | <b>H233 - 41 ... - 437V4</b> |
|   |         |               | 63                                 | 22                            | 18,5       | <b>H263 - 41 ... - 437V4</b> |
|   | 3 ... 4 | H200-B        |                                    |                               |            |                              |

## SMD modules for basic switch A02

Mounting form module for 437V.

H200-A  
H200-B/-D

**BFA2 - 447**  
**BFB2 - 447**

V-operator module 64 x 64 mm, mounting form 437V1  
Escutcheon black, handle black

H200-A/-B/-D

**4AV1 - 09**

Legend plate silver, operator module 437V1

**FAS4 - 9078**

V-operator module 64 x 64 mm, mounting form 437V4  
Escutcheon black, handle red

**4AV4 - 09**

Legend plate yellow, operator module 437V4

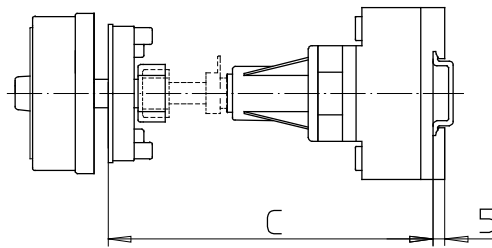
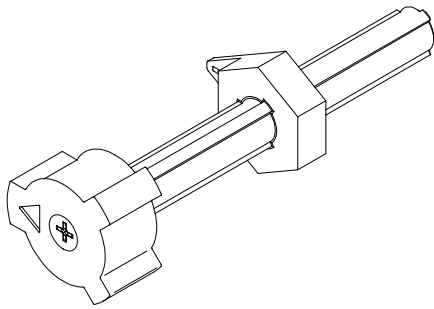
**FBS4 - 9078**

## Dimensions (mm)

| Product lines | A  | B  | B1 | B2 | C1 | D1 | D2 | E  | H  |
|---------------|----|----|----|----|----|----|----|----|----|
| H200-A        | 64 | 36 | 48 | 60 | 39 | 15 | 5  | 48 | 70 |
| H200-B        | 64 | 50 | 69 | 88 | 39 | 15 | 5  | 48 | 72 |
| H200-D        | 64 | 72 | 84 | 96 | 39 | 15 | 5  | 48 | 70 |

**C<sup>1</sup>) Metal shaft is not included. Please order separately. See page B8-21.**

# Metal shaft extension



**Product lines**  
H200-A/-B/-D/-E

**Base mounting switch**

**Door clutch**  
Metal shaft extension

**Four hole mounting**  
Front

**AVB8 - . . .**

Metal shaft extension for mounting forms **with door clutch** and four hole mounting front

Dimension C (Internal depth, inside of door to top of DIN rail)

| Mounting forms with shaft retaining screw |                | Order code number | Mounting forms with shaft retaining bush |                | Order code number |
|---|----------------|-------------------|--|----------------|-------------------|
| H200-A /-B                                | H200-D/-E      |                   | H200-A /-B                               | H200-D/-E      |                   |
| 128 ... 139 mm                            | 136 ... 147 mm | <b>AVB8 - 053</b> | 140 ... 164 mm                           | 148 ... 172 mm | <b>AVB8 - 065</b> |
| 140 ... 152 mm                            | 148 ... 160 mm | <b>AVB8 - 065</b> | 165 ... 189 mm                           | 173 ... 197 mm | <b>AVB8 - 090</b> |
| 153 ... 164 mm                            | 161 ... 172 mm | <b>AVB8 - 078</b> | 190 ... 214 mm                           | 198 ... 222 mm | <b>AVB8 - 115</b> |
| 165 ... 177 mm                            | 173 ... 185 mm | <b>AVB8 - 090</b> | 215 ... 239 mm                           | 223 ... 247 mm | <b>AVB8 - 140</b> |
| 178 ... 189 mm                            | 186 ... 197 mm | <b>AVB8 - 103</b> | 240 ... 264 mm                           | 248 ... 272 mm | <b>AVB8 - 165</b> |
| 190 ... 202 mm                            | 198 ... 210 mm | <b>AVB8 - 115</b> | 265 ... 289 mm                           | 273 ... 297 mm | <b>AVB8 - 190</b> |
| 203 ... 214 mm                            | 211 ... 222 mm | <b>AVB8 - 128</b> | 290 ... 314 mm                           | 298 ... 322 mm | <b>AVB8 - 215</b> |
| 215 ... 227 mm                            | 223 ... 235 mm | <b>AVB8 - 140</b> | 315 ... 339 mm                           | 323 ... 347 mm | <b>AVB8 - 240</b> |
| 228 ... 239 mm                            | 236 ... 247 mm | <b>AVB8 - 153</b> | 340 ... 364 mm                           | 348 ... 372 mm | <b>AVB8 - 265</b> |
| 240 ... 252 mm                            | 248 ... 260 mm | <b>AVB8 - 165</b> | 365 ... 389 mm                           | 373 ... 397 mm | <b>AVB8 - 290</b> |
| 253 ... 264 mm                            | 261 ... 272 mm | <b>AVB8 - 178</b> | 390 ... 414 mm                           | 398 ... 422 mm | <b>AVB8 - 315</b> |
| 265 ... 277 mm                            | 273 ... 285 mm | <b>AVB8 - 190</b> | 415 ... 439 mm                           | 423 ... 447 mm | <b>AVB8 - 340</b> |
| 278 ... 289 mm                            | 286 ... 297 mm | <b>AVB8 - 203</b> | 440 ... 464 mm                           | 448 ... 472 mm | <b>AVB8 - 365</b> |
| 290 ... 302 mm                            | 298 ... 310 mm | <b>AVB8 - 215</b> | 465 ... 489 mm                           | 473 ... 497 mm | <b>AVB8 - 390</b> |
| 303 ... 314 mm                            | 311 ... 322 mm | <b>AVB8 - 228</b> | 490 ... 514 mm                           | 498 ... 522 mm | <b>AVB8 - 415</b> |
| 315 ... 327 mm                            | 323 ... 335 mm | <b>AVB8 - 240</b> | 515 ... 539 mm                           | 523 ... 547 mm | <b>AVB8 - 440</b> |
| 328 ... 339 mm                            | 336 ... 347 mm | <b>AVB8 - 253</b> | 540 ... 564 mm                           | 548 ... 572 mm | <b>AVB8 - 465</b> |
| 340 ... 352 mm                            | 348 ... 360 mm | <b>AVB8 - 265</b> | 565 ... 589 mm                           | 573 ... 597 mm | <b>AVB8 - 490</b> |
| 353 ... 364 mm                            | 361 ... 372 mm | <b>AVB8 - 278</b> | 590 ... 614 mm                           | 598 ... 622 mm | <b>AVB8 - 515</b> |
| 365 ... 377 mm                            | 373 ... 385 mm | <b>AVB8 - 290</b> | 615 ... 639 mm                           | 623 ... 649 mm | <b>AVB8 - 540</b> |
| 378 ... 389 mm                            | 386 ... 397 mm | <b>AVB8 - 303</b> |  |                |                   |

# Base Mounting Switches

**sälzer**

**Product lines  
H200-A/-B**

**Base mounting switch**

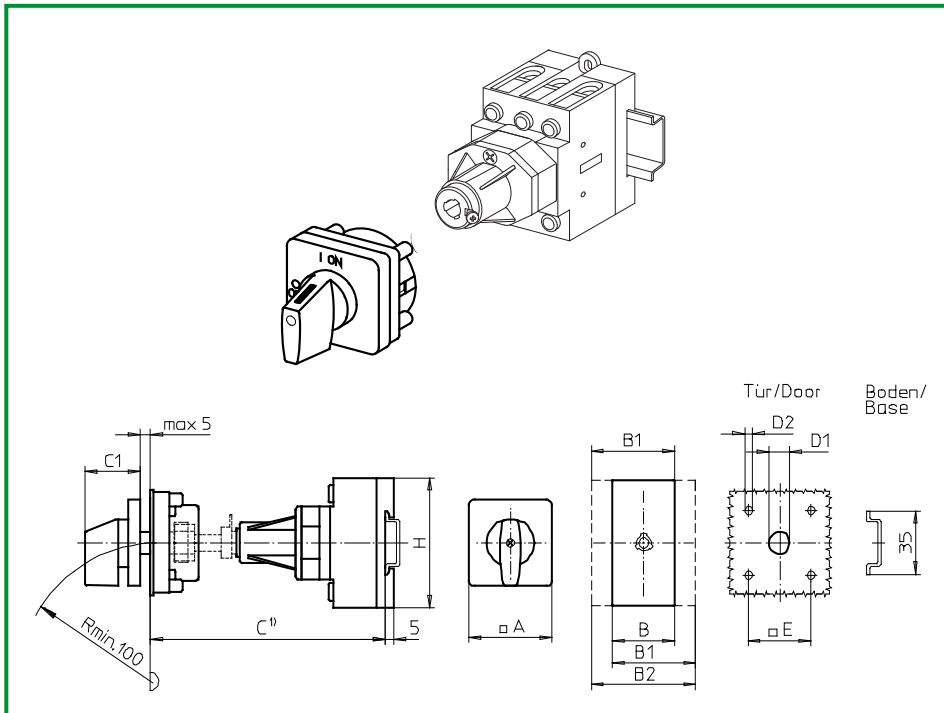
**Door interlock**

Metal shaft extension  
With shaft retaining screw

**Four hole mounting**

36 × 36 mm front

**452M1 (IP66)**



| Complete switch                        | Poles   | Product lines | Rated data (IEC 60947)             |                               |            | Order code number            |
|--|---------|---------------|------------------------------------|-------------------------------|------------|------------------------------|
|  |         |               | Operational current I <sub>e</sub> | Operational power at 380–440V |            |                              |
|  |         |               | AC-21A<br>A                        | AC-23A<br>kW                  | AC-3<br>kW |                              |
| ON-OFF Switches<br>Switching angle 90° | 3 ... 4 | H200-A        | 20                                 | 5,5                           | 3,7        | <b>H216 - 41 ... - 452M1</b> |
|  |         |               | 25                                 | 7,5                           | 5,5        | <b>H220 - 41 ... - 452M1</b> |
|  |         |               | 32                                 | 11                            | 7,5        | <b>H226 - 41 ... - 452M1</b> |
|  |         |               | 40                                 | 15                            | 11         | <b>H233 - 41 ... - 452M1</b> |
|  | 3 ... 4 | H200-B        | 63                                 | 22                            | 18,5       | <b>H263 - 41 ... - 452M1</b> |

| SMD modules for basic switch A02  |                  |  |
|---|------------------|--|
| Mounting form module for 452M1  | H200-A<br>H200-B | <b>BFA2 - 452</b><br><b>BFB2 - 452</b> |
| M-operator module 48 × 48 mm, mounting form 452M1<br>Escutcheon black, handle black | H200-A/-B        | <b>2AM1</b>                            |
| Legend plate silver, operator module 452M1  |                  | <b>FAS2 - 9...</b> (FA number)         |

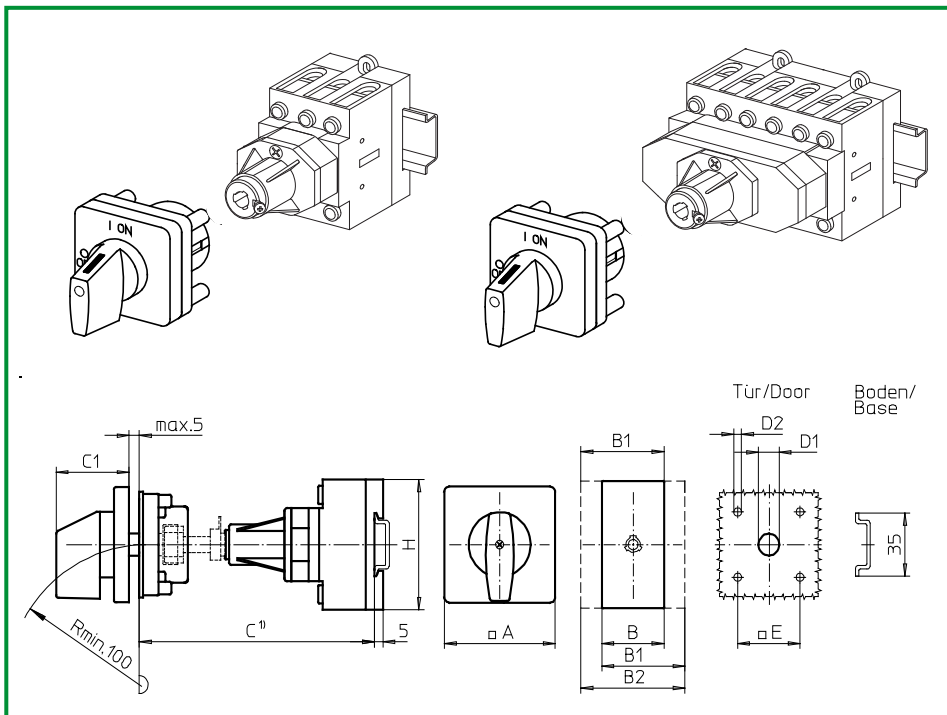
| Dimensions (mm) |    |    |    |    |    |    |     |    |    |
|-----------------|----|----|----|----|----|----|-----|----|----|
| Product lines   | A  | B  | B1 | B2 | C1 | D1 | D2  | E  | H  |
| H200-A          | 48 | 36 | 48 | 60 | 32 | 15 | 4,5 | 36 | 70 |
| H200-B          | 48 | 50 | 69 | 88 | 32 | 15 | 4,5 | 36 | 72 |

C<sup>1)</sup> Internal depth, inside of door to top of DIN rail. Metal shaft is not included. Please order separately. See page B9-21.



# Base Mounting Switches

**sälzer**



**Product lines**  
H200-A/-B/-D/-E

**Base mounting switch**  
Operator module of next size

**Door interlock**  
Metal shaft extension  
With shaft retaining screw

**Four hole mounting**  
48 x 48 mm front

**454M1** (IP66)

| Complete switch                            | Poles   | Product lines | Rated data (IEC 60947)             |                               |            | Order code number     |
|--|---------|---------------|------------------------------------|-------------------------------|------------|-----------------------|
|  |         |               | Operational current I <sub>e</sub> | Operational power at 380–440V |            |                       |
|  |         |               | AC-21A<br>A                        | AC-23A<br>kW                  | AC-3<br>kW |                       |
| ON-OFF Switches<br>Switching angle 90°     | 3 ... 8 | H200-A/-D     | 20                                 | 5,5                           | 3,7        | H216 - 41 ... - 454M1 |
|  |         |               | 25                                 | 7,5                           | 5,5        | H220 - 41 ... - 454M1 |
|  |         |               | 32                                 | 11                            | 7,5        | H226 - 41 ... - 454M1 |
|  |         |               | 40                                 | 15                            | 11         | H233 - 41 ... - 454M1 |
|  | 3 ... 4 | H200-B        | 63                                 | 22                            | 18,5       | H263 - 41 ... - 454M1 |
| Changeover with OFF<br>Switching angle 90° | 3 ... 4 | H200-E        | 20                                 | 5,5                           | 3,7        | H216 - 71 ... - 454M1 |
|  |         |               | 25                                 | 7,5                           | 5,5        | H220 - 71 ... - 454M1 |
|  |         |               | 32                                 | 11                            | 7,5        | H226 - 71 ... - 454M1 |
|  |         |               | 40                                 | 22                            | 18,5       | H233 - 71 ... - 454M1 |

| SMD modules for basic switch A02  |                               |  |
|---|-------------------------------|--|
| Mounting form module for 454M1  | H200-A<br>H200-B/-D<br>H200-E | BFA2 - 454<br>BFB2 - 454<br>BFC2 - 454 |
| M-operator module 64 x 64 mm, mounting form 454M1<br>Escutcheon black, handle black | H200-A/-B/-D/-E               | 4AM1                                   |
| Legend plate silver, operator module 454M1  |                               | FAS4 - 9... (FA number)                |

| Dimensions (mm) |    |    |    |    |    |    |    |    |    |
|-----------------|----|----|----|----|----|----|----|----|----|
| Product lines   | A  | B  | B1 | B2 | C1 | D1 | D2 | E  | H  |
| H200-A          | 64 | 36 | 48 | 60 | 39 | 15 | 5  | 48 | 70 |
| H200-B          | 64 | 50 | 69 | 88 | 39 | 15 | 5  | 48 | 72 |
| H200-D          | 64 | 72 | 84 | 96 | 39 | 15 | 5  | 48 | 70 |
| H200-E          | 64 | 72 | 84 | 96 | 39 | 15 | 5  | 48 | 70 |

C<sup>1</sup>) Internal depth, inside of door to top of DIN rail. Metal shaft is not included. Please order separately. See page B9-21.

# Base Mounting Switches

# sälzer

**Product line**  
**H200-E**

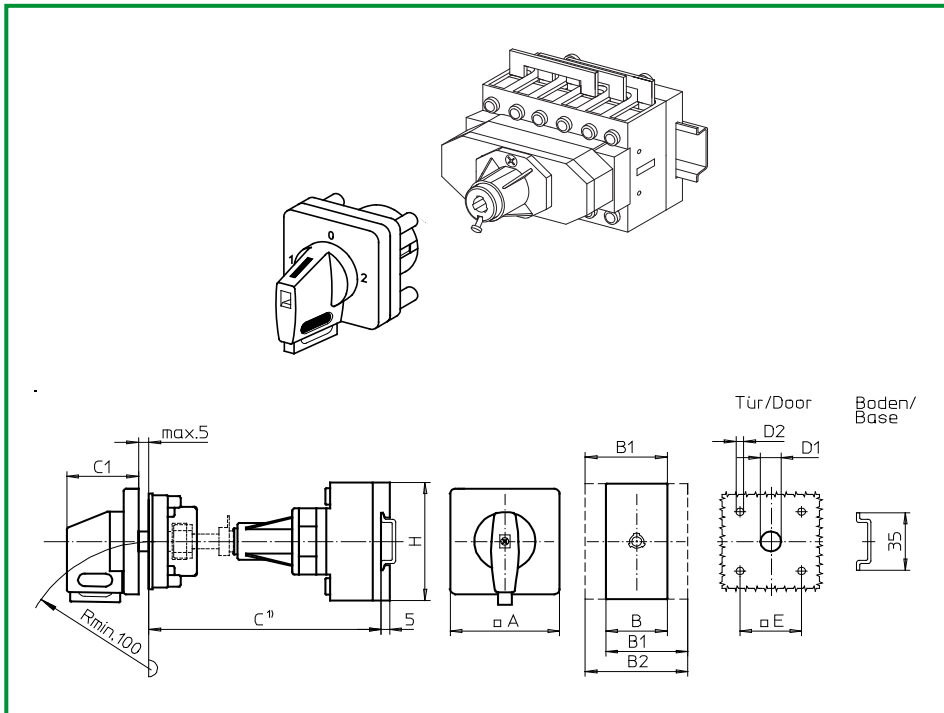
**Base mounting switch**  
Operator module of next size

**Door interlock**  
Metal shaft extension  
With shaft retaining screw

**Four hole mounting**  
48 × 48 mm front

**454V1** (IP66)

**458V1** (IP66)



| Complete switch  | Poles   | Product lines | Rated data (IEC 60947)             |                               |            | Order code number            |
|--|---------|---------------|------------------------------------|-------------------------------|------------|------------------------------|
|  |         |               | Operational current I <sub>e</sub> | Operational power at 380–440V |            |                              |
|  |         |               | AC-21A<br>A                        | AC-23A<br>kW                  | AC-3<br>kW |                              |
| Changeover with OFF<br>Switching angle 90°<br>OFF position padlockable 12h             | 3 ... 4 | H200-E        | 20                                 | 5,5                           | 3,7        | <b>H216 - 71 ... - 454V1</b> |
|  |         |               | 25                                 | 7,5                           | 5,5        | <b>H220 - 71 ... - 454V1</b> |
|  |         |               | 32                                 | 11                            | 7,5        | <b>H226 - 71 ... - 454V1</b> |
|  |         |               | 40                                 | 22                            | 18,5       | <b>H233 - 11 ... - 454V1</b> |
| Changeover with OFF<br>Switching angle 90°<br>3 positions padlockable<br>(09h/12h/03h) | 3 ... 4 | H200-E        | 20                                 | 5,5                           | 3,7        | <b>H216 - 71 ... - 458V1</b> |
|  |         |               | 25                                 | 7,5                           | 5,5        | <b>H220 - 71 ... - 458V1</b> |
|  |         |               | 32                                 | 11                            | 7,5        | <b>H226 - 71 ... - 458V1</b> |
|  |         |               | 40                                 | 22                            | 18,5       | <b>H233 - 71 ... - 458V1</b> |

| SMD modules for basic switch A02  |  |        |                                |
|---|--|--------|--------------------------------|
| Mounting form module for 454V1/458V1  |  | H200-E | <b>BFC2 - 454</b>              |
| V-operator module 64 × 64 mm, mounting form 454V1<br>Escutcheon black, handle black |  |        | <b>4AV1 - 12</b>               |
| V-operator module 64 × 64 mm, mounting form 458V1<br>Escutcheon black, handle black |  |        | <b>4AV1 - 99</b>               |
| Legend plate silver, operator modules 454V1/458V1                                   |  |        | <b>FAS4 - 9...</b> (FA number) |

| Dimensions (mm) |    |    |    |    |    |    |    |    |    |
|-----------------|----|----|----|----|----|----|----|----|----|
| Product line    | A  | B  | B1 | B2 | C1 | D1 | D2 | E  | H  |
| H200-E          | 64 | 72 | 84 | 96 | 39 | 15 | 5  | 48 | 70 |

C<sup>1</sup>) Internal depth, inside of door to top of DIN rail. Metal shaft is not included. Please order separately. See page B9-21.

# Base Mounting Switches

**sälzer**

**Product lines  
H200-A/-B/-D**

**Base mounting switch**

**Door interlock**

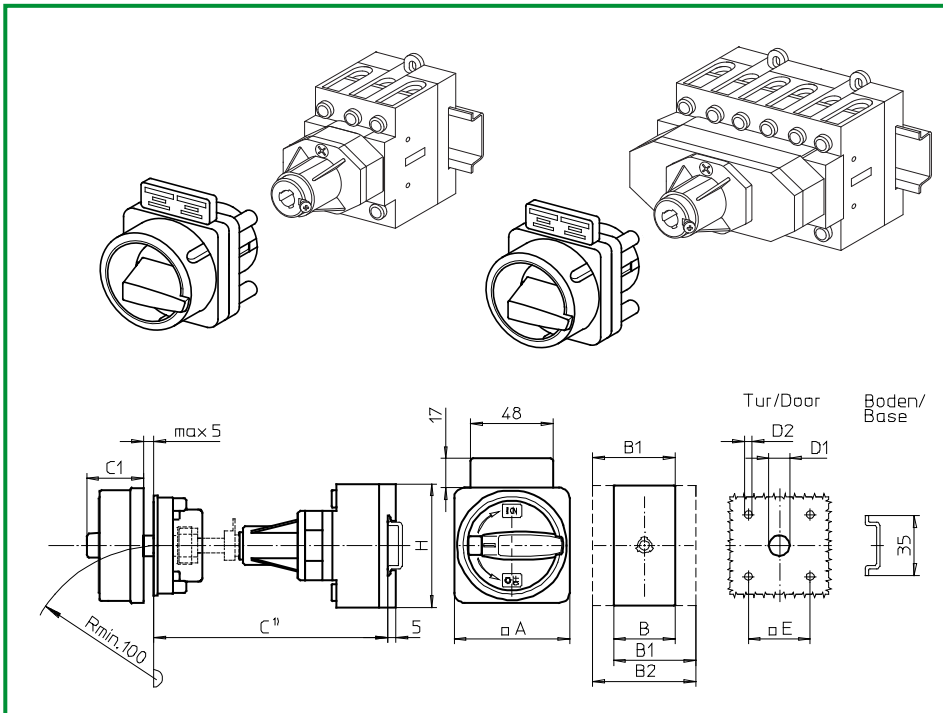
Metal shaft extension  
With shaft retaining screw

**Four hole mounting**

36 x 36 mm front

**455M1** (IP66)

**455M4** (IP66)



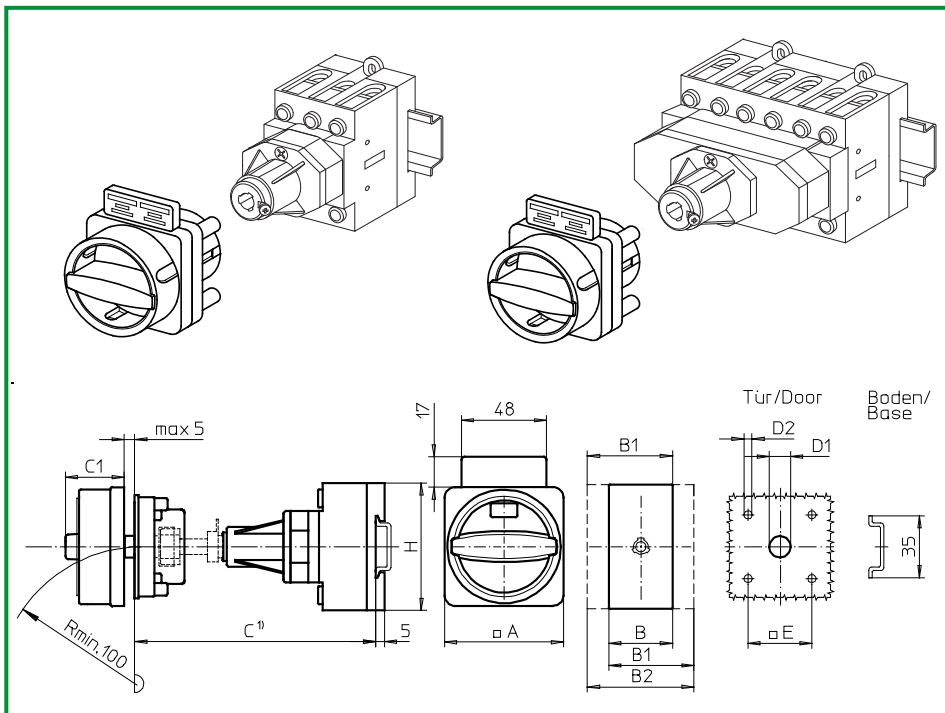
| Complete switch   | Poles   | Product lines | Rated data (IEC 60947)             |                               |            | Order code number            |
|---|---------|---------------|------------------------------------|-------------------------------|------------|------------------------------|
|   |         |               | Operational current I <sub>e</sub> | Operational power at 380–440V |            |                              |
|   |         |               | AC-21A<br>A                        | AC-23A<br>kW                  | AC-3<br>kW |                              |
| Main Switches<br>OFF position padlockable 09h               | 3 ... 8 | H200-A/-D     | 20                                 | 5,5                           | 3,7        | <b>H216 - 41 ... - 455M1</b> |
|   |         |               | 25                                 | 7,5                           | 5,5        | <b>H220 - 41 ... - 455M1</b> |
|   |         |               | 32                                 | 11                            | 7,5        | <b>H226 - 41 ... - 455M1</b> |
|   |         |               | 40                                 | 15                            | 11         | <b>H233 - 41 ... - 455M1</b> |
|   |         |               | 63                                 | 22                            | 18,5       | <b>H263 - 41 ... - 455M1</b> |
| Main/Emergency-Off Switches<br>OFF position padlockable 09h | 3 ... 8 | H200-A/-D     | 20                                 | 5,5                           | 3,7        | <b>H216 - 41 ... - 455M4</b> |
|   |         |               | 25                                 | 7,5                           | 5,5        | <b>H220 - 41 ... - 455M4</b> |
|   |         |               | 32                                 | 11                            | 7,5        | <b>H226 - 41 ... - 455M4</b> |
|   |         |               | 40                                 | 15                            | 11         | <b>H233 - 41 ... - 455M4</b> |
|   |         |               | 63                                 | 22                            | 18,5       | <b>H263 - 41 ... - 455M4</b> |
| SMD modules for basic switch A02                            |         |               |                                    |                               |            | <b>BFA2 - 455</b>            |
|   |         |               |                                    |                               |            | <b>BFB2 - 455</b>            |
|   |         |               |                                    |                               |            | <b>2CM1</b>                  |
|   |         |               |                                    |                               |            | <b>2CM4</b>                  |
|   |         |               |                                    |                               |            | <b>FAZZ - 8041</b>           |

| Dimensions (mm) |    |    |    |    |    |    |     |    |    |
|-----------------|----|----|----|----|----|----|-----|----|----|
| Product lines   | A  | B  | B1 | B2 | C1 | D1 | D2  | E  | H  |
| H200-A          | 67 | 36 | 48 | 60 | 38 | 15 | 4,5 | 36 | 70 |
| H200-B          | 67 | 50 | 69 | 88 | 38 | 15 | 4,5 | 36 | 72 |
| H200-D          | 67 | 72 | 84 | 96 | 38 | 15 | 4,5 | 36 | 70 |

C<sup>1</sup>) Internal depth, inside of door to top of DIN rail. Metal shaft is not included. Please order separately. See page B9-21.

# Base Mounting Switches

**sälzer**



**Product lines  
H200-A/-B/-D**

**Base mounting switch**

**Door interlock**

Metal shaft extension  
With shaft retaining screw

**Four hole mounting**

36 × 36 mm front

**455N1 (IP66)**

**455N4 (IP66)**

| Complete switch   | Poles   | Product lines | Rated data (IEC 60947)   |                               |                     | Order code number                      |
|---|---------|---------------|--|-------------------------------|---------------------|--|
|   |         |               | Operational current I <sub>e</sub>   | Operational power at 380–440V |                     |  |
|   |         |               | AC-21A<br>A  | AC-23A<br>kW                  | AC-3<br>kW          |  |
| Main Switches<br>OFF position padlockable 12h               | 3 ... 8 | H200-A/-D     | 20   | 5,5                           | 3,7                 | <b>H216 - 41 ... - 455N1</b>           |
|   |         |               | 25   | 7,5                           | 5,5                 | <b>H220 - 41 ... - 455N1</b>           |
|   |         |               | 32   | 11                            | 7,5                 | <b>H226 - 41 ... - 455N1</b>           |
|   |         |               | 40   | 15                            | 11                  | <b>H233 - 41 ... - 455N1</b>           |
|   |         |               | 63   | 22                            | 18,5                | <b>H263 - 41 ... - 455N1</b>           |
| Main/Emergency-Off Switches<br>OFF position padlockable 12h | 3 ... 8 | H200-A/-D     | 20   | 5,5                           | 3,7                 | <b>H216 - 41 ... - 455N4</b>           |
|   |         |               | 25   | 7,5                           | 5,5                 | <b>H220 - 41 ... - 455N4</b>           |
|   |         |               | 32   | 11                            | 7,5                 | <b>H226 - 41 ... - 455N4</b>           |
|   |         |               | 40   | 15                            | 11                  | <b>H233 - 41 ... - 455N4</b>           |
|   |         |               | 63   | 22                            | 18,5                | <b>H263 - 41 ... - 455N4</b>           |
| SMD modules for basic switch A02                            |         |               | Mounting form module for 455N.   |                               |                     | <b>BFA2 - 455</b><br><b>BFB2 - 455</b> |
|   |         |               | N-padlock device 67 × 67 mm, mounting form 455N1<br>Escutcheon black, padlockable handle black |                               | H200-A<br>H200-B/-D | <b>2CN1</b>                            |
|   |         |               | N-padlock device 67 × 67 mm, mounting form 455N4<br>Escutcheon yellow, padlockable handle red  |                               | H200-A/-B/-D        | <b>2CN4</b>                            |
|   |         |               | Additional top escutcheon plate  |                               |                     | <b>FAZZ - 8041</b>                     |

## Dimensions (mm)

| Product lines | A  | B  | B1 | B2 | C1 | D1 | D2  | E  | H  |
|---------------|----|----|----|----|----|----|-----|----|----|
| H200-A        | 67 | 36 | 48 | 60 | 33 | 15 | 4,5 | 36 | 70 |
| H200-B        | 67 | 50 | 69 | 88 | 33 | 15 | 4,5 | 36 | 72 |
| H200-D        | 67 | 72 | 84 | 96 | 33 | 15 | 4,5 | 36 | 70 |

C<sup>1</sup>) Internal depth, inside of door to top of DIN rail. Metal shaft is not included. Please order separately. See page B9-21.

# Base Mounting Switches

# sälzer

**Product lines**  
**H200-A/-B**

**Base mounting switch**

**Door interlock**

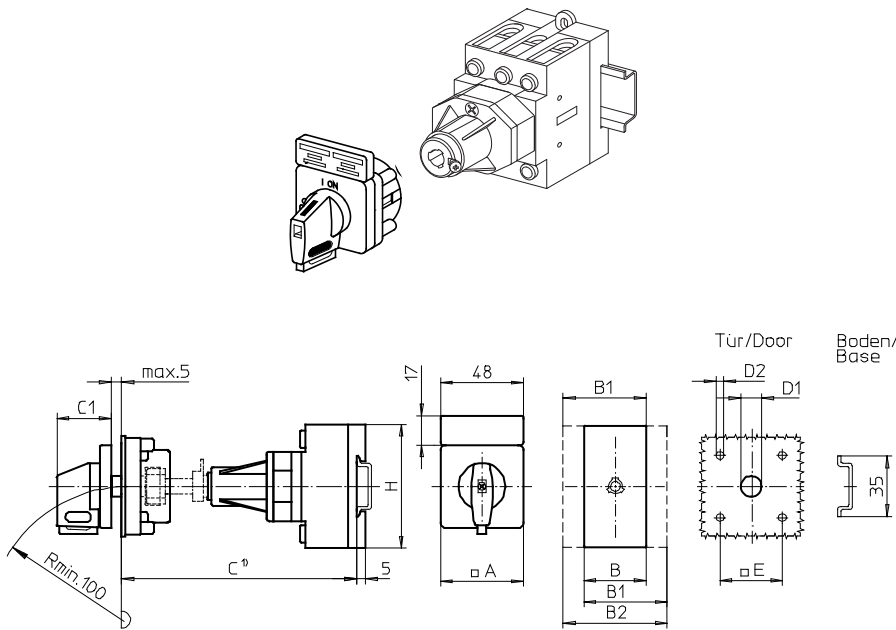
Metal shaft extension  
With shaft retaining screw

**Four hole mounting**

36 × 36 mm front

**455V1** (IP66)

**455V4** (IP66)



| Complete switch   | Poles   | Product lines | Rated data (IEC 60947)             |                               |            | Order code number            |
|---|---------|---------------|------------------------------------|-------------------------------|------------|------------------------------|
|   |         |               | Operational current I <sub>e</sub> | Operational power at 380–440V |            |                              |
|   |         |               | AC-21A<br>A                        | AC-23A<br>kW                  | AC-3<br>kW |                              |
| Main Switches<br>OFF position padlockable 09h               | 3 ... 4 | H200-A        | 20                                 | 5,5                           | 3,7        | <b>H216 - 41 ... - 455V1</b> |
|   |         |               | 25                                 | 7,5                           | 5,5        | <b>H220 - 41 ... - 455V1</b> |
|   |         |               | 32                                 | 11                            | 7,5        | <b>H226 - 41 ... - 455V1</b> |
|   |         |               | 40                                 | 15                            | 11         | <b>H233 - 41 ... - 455V1</b> |
|   |         |               | 63                                 | 22                            | 18,5       | <b>H263 - 41 ... - 455V1</b> |
| Main/Emergency-Off Switches<br>OFF position padlockable 09h | 3 ... 4 | H200-A        | 20                                 | 5,5                           | 3,7        | <b>H216 - 41 ... - 455V4</b> |
|   |         |               | 25                                 | 7,5                           | 5,5        | <b>H220 - 41 ... - 455V4</b> |
|   |         |               | 32                                 | 11                            | 7,5        | <b>H226 - 41 ... - 455V4</b> |
|   |         |               | 40                                 | 15                            | 11         | <b>H233 - 41 ... - 455V4</b> |
|   |         |               | 63                                 | 22                            | 18,5       | <b>H263 - 41 ... - 455V4</b> |

## SMD modules for basic switch A02

Mounting form module for 455V.

H200-A  
H200-B  
H200-A/-B

**BFA2 - 455**  
**BFB2 - 455**  
**2AV1 - 09**

V-operator module 48 × 48 mm, mounting form 455V1  
Escutcheon black, handle black  
Legend plate silver, operator module 455V1

**FAS2 - 9078**  
**2AV4 - 09**

V-operator module 48 × 48 mm, mounting form 455V4  
Escutcheon black, handle red  
Legend plate yellow, operator module 455V4  
Additional top escutcheon plate

**FBS2 - 9078**  
**FAZ2 - 8041**

## Dimensions (mm)

| Product lines | A  | B  | B1 | B2 | C1 | D1 | D2  | E  | H  |
|---------------|----|----|----|----|----|----|-----|----|----|
| H200-A        | 48 | 36 | 48 | 60 | 32 | 15 | 4,5 | 36 | 70 |
| H200-B        | 48 | 50 | 69 | 88 | 32 | 15 | 4,5 | 36 | 72 |

C<sup>1)</sup> Internal depth, inside of door to top of DIN rail. Metal shaft is not included. Please order separately. See page B9-21.

# Base Mounting Switches

# sälzer

**Product lines**  
**H200-A/-B**

**Base mounting switch**

**Door interlock**

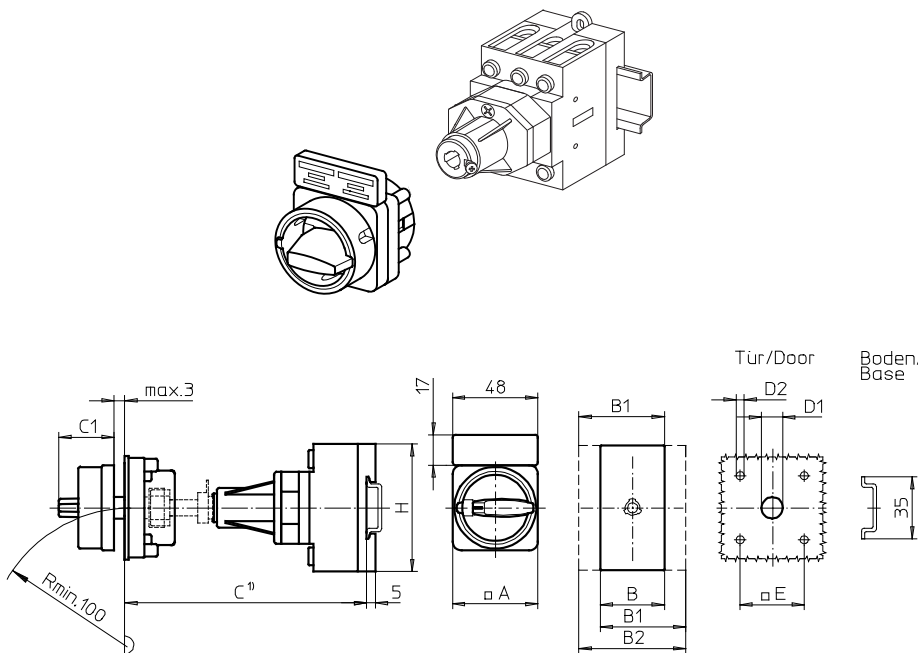
Metal shaft extension  
With shaft retaining screw

**Four hole mounting**

36 x 36 mm front

**456M1** (IP66)

**456M4** (IP66)



| Complete switch   | Poles   | Product lines | Rated data (IEC 60947)             |                               |            | Order code number            |
|---|---------|---------------|------------------------------------|-------------------------------|------------|------------------------------|
|   |         |               | Operational current I <sub>e</sub> | Operational power at 380–440V |            |                              |
|   |         |               | AC-21A<br>A                        | AC-23A<br>kW                  | AC-3<br>kW |                              |
| Main Switches<br>OFF position padlockable 09h               | 3 ... 4 | H200-A        | 20                                 | 5,5                           | 3,7        | <b>H216 - 41 ... - 456M1</b> |
|   |         |               | 25                                 | 7,5                           | 5,5        | <b>H220 - 41 ... - 456M1</b> |
|   |         |               | 32                                 | 11                            | 7,5        | <b>H226 - 41 ... - 456M1</b> |
|   |         |               | 40                                 | 15                            | 11         | <b>H233 - 41 ... - 456M1</b> |
|   |         |               | 63                                 | 22                            | 18,5       | <b>H263 - 41 ... - 456M1</b> |
| Main/Emergency-Off Switches<br>OFF position padlockable 09h | 3 ... 4 | H200-A        | 20                                 | 5,5                           | 3,7        | <b>H216 - 41 ... - 456M4</b> |
|   |         |               | 25                                 | 7,5                           | 5,5        | <b>H220 - 41 ... - 456M4</b> |
|   |         |               | 32                                 | 11                            | 7,5        | <b>H226 - 41 ... - 456M4</b> |
|   |         |               | 40                                 | 15                            | 11         | <b>H233 - 41 ... - 456M4</b> |
|   |         |               | 63                                 | 22                            | 18,5       | <b>H263 - 41 ... - 456M4</b> |
|   |         | H200-B        |                                    |                               |            |                              |

## SMD modules for basic switch A02

Mounting form module for 456M.

H200-A  
H200-B

**BFA2 - 452**  
**BFB2 - 452**

M-padlock device 48 x 48 mm, mounting form 456M1  
Escutcheon black, padlockable handle black

H200-A/-B

**2BM1**

M-padlock device 48 x 48 mm, mounting form 456M4  
Escutcheon yellow, padlockable handle red

**2BM4**

Additional top escutcheon plate

**FAZZ - 8041**

## Dimensions (mm)

| Product lines | A  | B  | B1 | B2 | C1 | D1 | D2  | E  | H  |
|---------------|----|----|----|----|----|----|-----|----|----|
| H200-A        | 48 | 36 | 48 | 60 | 31 | 15 | 4,5 | 36 | 70 |
| H200-B        | 48 | 50 | 69 | 88 | 31 | 15 | 4,5 | 36 | 72 |

C<sup>1</sup>) Internal depth, inside of door to top of DIN rail. Metal shaft is not included. Please order separately. See page B9-21.

# Base Mounting Switches

**sälzer**

## Product lines H200-A/-B/-D

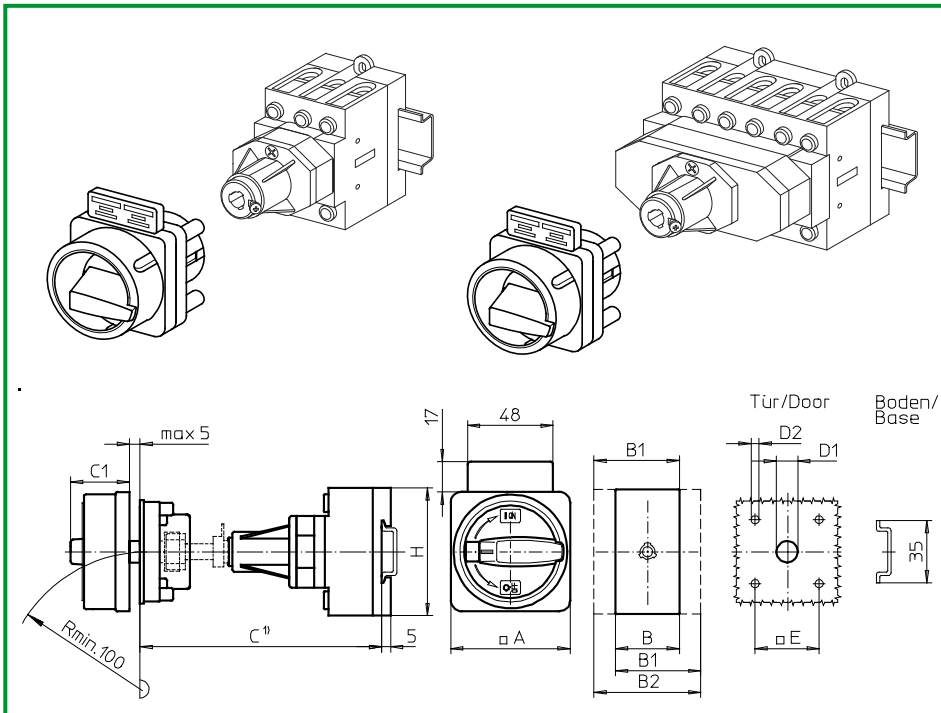
**Base mounting switch**  
Operator module of next size

**Door interlock**  
Metal shaft extension  
With shaft retaining screw

**Four hole mounting**  
48 x 48 mm front

**457M1** (IP66)

**457M4** (IP66)



| Complete switch   | Poles   | Product lines | Rated data (IEC 60947)             |                               |            | Order code number            |
|---|---------|---------------|------------------------------------|-------------------------------|------------|------------------------------|
|   |         |               | Operational current I <sub>e</sub> | Operational power at 380–440V |            |                              |
|   |         |               | AC-21A<br>A                        | AC-23A<br>kW                  | AC-3<br>kW |                              |
| Main Switches<br>OFF position padlockable 09h               | 3 ... 8 | H200-A/-D     | 20                                 | 5,5                           | 3,7        | <b>H216 - 41 ... - 457M1</b> |
|   |         |               | 25                                 | 7,5                           | 5,5        | <b>H220 - 41 ... - 457M1</b> |
|   |         |               | 32                                 | 11                            | 7,5        | <b>H226 - 41 ... - 457M1</b> |
|   |         |               | 40                                 | 15                            | 11         | <b>H233 - 41 ... - 457M1</b> |
|   |         |               | 63                                 | 22                            | 18,5       | <b>H263 - 41 ... - 457M1</b> |
| Main/Emergency-Off Switches<br>OFF position padlockable 09h | 3 ... 8 | H200-A/-D     | 20                                 | 5,5                           | 3,7        | <b>H216 - 41 ... - 457M4</b> |
|   |         |               | 25                                 | 7,5                           | 5,5        | <b>H220 - 41 ... - 457M4</b> |
|   |         |               | 32                                 | 11                            | 7,5        | <b>H226 - 41 ... - 457M4</b> |
|   |         |               | 40                                 | 15                            | 11         | <b>H233 - 41 ... - 457M4</b> |
|   |         |               | 63                                 | 22                            | 18,5       | <b>H263 - 41 ... - 457M4</b> |
| SMD modules for basic switch A02                            |         |               |                                    |                               |            | <b>BFA2 - 455</b>            |
|   |         |               |                                    |                               |            | <b>BFB2 - 455</b>            |
|   |         |               |                                    |                               |            | <b>4BM1</b>                  |
|   |         |               |                                    |                               |            | <b>4BM4</b>                  |
|   |         |               |                                    |                               |            | <b>FAZZ - 8041</b>           |

### SMD modules for basic switch A02

Mounting form module for 457M.

H200-A  
H200-B/-D

**BFA2 - 455**  
**BFB2 - 455**

M-padlock device 67 x 67 mm, mounting form 457M1  
Escutcheon black, padlockable handle black

H200-A/-B/-D

**4BM1**

M-padlock device 67 x 67 mm, mounting form 457M4  
Escutcheon yellow, padlockable handle red

**4BM4**

Additional top escutcheon plate

**FAZZ - 8041**

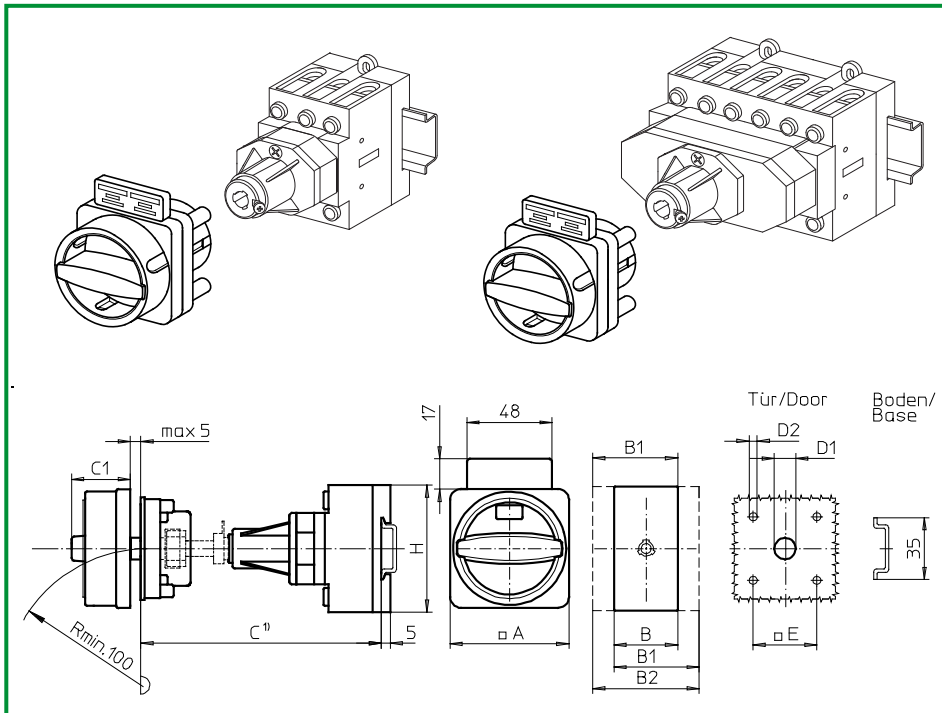
### Dimensions (mm)

| Product lines | A  | B  | B1 | B2 | C1 | D1 | D2 | E  | H  |
|---------------|----|----|----|----|----|----|----|----|----|
| H200-A        | 67 | 36 | 48 | 60 | 38 | 15 | 5  | 48 | 70 |
| H200-B        | 67 | 50 | 69 | 88 | 38 | 15 | 5  | 48 | 72 |
| H200-D        | 67 | 72 | 84 | 96 | 38 | 15 | 5  | 48 | 70 |

C<sup>1</sup>) Internal depth, inside of door to top of DIN rail. Metal shaft is not included. Please order separately. See page B9-21.

# Base Mounting Switches

**sälzer**



**Product lines**  
**H200-A/-B/-D**

**Base mounting switch**  
Operator module of next size

**Door interlock**  
Metal shaft extension  
With shaft retaining screw

**Four hole mounting**  
48 x 48 mm front

**457N1 (IP66)**  
**457N4 (IP66)**

| Complete switch   | Poles   | Product lines | Rated data (IEC 60947)             |                               |            | Order code number            |
|---|---------|---------------|------------------------------------|-------------------------------|------------|------------------------------|
|   |         |               | Operational current I <sub>e</sub> | Operational power at 380–440V |            |                              |
|   |         |               | AC-21A<br>A                        | AC-23A<br>kW                  | AC-3<br>kW |                              |
| Main Switches<br>OFF position padlockable 12h               | 3 ... 8 | H200-A/-D     | 20                                 | 5,5                           | 3,7        | <b>H216 - 41 ... - 457N1</b> |
|   |         |               | 25                                 | 7,5                           | 5,5        | <b>H220 - 41 ... - 457N1</b> |
|   |         |               | 32                                 | 11                            | 7,5        | <b>H226 - 41 ... - 457N1</b> |
|   |         |               | 40                                 | 15                            | 11         | <b>H233 - 41 ... - 457N1</b> |
|   |         |               | 63                                 | 22                            | 18,5       | <b>H263 - 41 ... - 457N1</b> |
| Main/Emergency-Off Switches<br>OFF position padlockable 12h | 3 ... 8 | H200-A/-D     | 20                                 | 5,5                           | 3,7        | <b>H216 - 41 ... - 457N4</b> |
|   |         |               | 25                                 | 7,5                           | 5,5        | <b>H220 - 41 ... - 457N4</b> |
|   |         |               | 32                                 | 11                            | 7,5        | <b>H226 - 41 ... - 457N4</b> |
|   |         |               | 40                                 | 15                            | 11         | <b>H233 - 41 ... - 457N4</b> |
|   |         |               | 63                                 | 22                            | 18,5       | <b>H263 - 41 ... - 457N4</b> |
| SMD modules for basic switch A02                            |         |               |                                    |                               |            | <b>BFA2 - 455</b>            |
|   |         |               |                                    |                               |            | <b>BFB2 - 455</b>            |
|   |         |               |                                    |                               |            | <b>4BN1</b>                  |
|   |         |               |                                    |                               |            | <b>4BN4</b>                  |
|   |         |               |                                    |                               |            | <b>FAZ2 - 8041</b>           |

|  |  |  |              |  |  |                    |
|--|--|--|--------------|--|--|--------------------|
| <b>SMD modules for basic switch A02</b>  |  |  |              |  |  |                    |
| Mounting form module for 457N.   |  |  | H200-A       |  |  | <b>BFA2 - 455</b>  |
|  |  |  | H200-B/-D    |  |  | <b>BFB2 - 455</b>  |
| N-padlock device 67 x 67 mm, mounting form 457N1<br>Escutcheon black, padlockable handle black |  |  | H200-A/-B/-D |  |  | <b>4BN1</b>        |
| N-padlock device 67 x 67 mm, mounting form 457N4<br>Escutcheon yellow, padlockable handle red  |  |  |              |  |  | <b>4BN4</b>        |
| Additional top escutcheon plate  |  |  |              |  |  | <b>FAZ2 - 8041</b> |

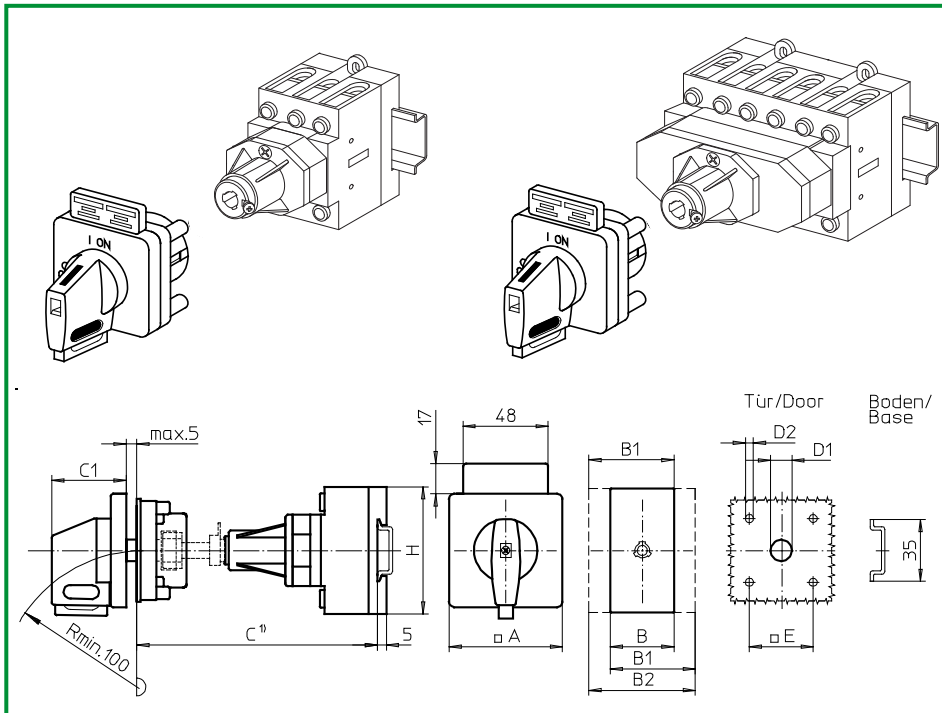
| <b>Dimensions (mm)</b> |    |    |    |    |    |    |    |    |    |
|------------------------|----|----|----|----|----|----|----|----|----|
| Product lines          | A  | B  | B1 | B2 | C1 | D1 | D2 | E  | H  |
| H200-A                 | 67 | 36 | 48 | 60 | 33 | 15 | 5  | 48 | 70 |
| H200-B                 | 67 | 50 | 69 | 88 | 33 | 15 | 5  | 48 | 72 |
| H200-D                 | 67 | 72 | 84 | 96 | 33 | 15 | 5  | 48 | 70 |

C<sup>1</sup>) Internal depth, inside of door to top of DIN rail. Metal shaft is not included. Please order separately. See page B9-21.



# Base Mounting Switches

**sälzer**



**Product lines**  
H200-A/-B/-D

**Base mounting switch**  
Operator module of next size

**Door interlock**  
Metal shaft extension  
With shaft retaining screw

**Four hole mounting**  
48 x 48 mm front

**457V1** (IP66)

**457V4** (IP66)

| Complete switch   | Poles   | Product lines | Rated data (IEC 60947)             |                               |            | Order code number            |
|---|---------|---------------|------------------------------------|-------------------------------|------------|------------------------------|
|   |         |               | Operational current I <sub>e</sub> | Operational power at 380–440V |            |                              |
|   |         |               | AC-21A<br>A                        | AC-23A<br>kW                  | AC-3<br>kW |                              |
| Main Switches<br>OFF position padlockable 09h               | 3 ... 8 | H200-A/-D     | 20                                 | 5,5                           | 3,7        | <b>H216 - 41 ... - 457V1</b> |
|   |         |               | 25                                 | 7,5                           | 5,5        | <b>H220 - 41 ... - 457V1</b> |
|   |         |               | 32                                 | 11                            | 7,5        | <b>H226 - 41 ... - 457V1</b> |
|   |         |               | 40                                 | 15                            | 11         | <b>H233 - 41 ... - 457V1</b> |
|   |         |               | 63                                 | 22                            | 18,5       | <b>H263 - 41 ... - 457V1</b> |
| Main/Emergency-Off Switches<br>OFF position padlockable 09h | 3 ... 8 | H200-A/-D     | 20                                 | 5,5                           | 3,7        | <b>H216 - 41 ... - 457V4</b> |
|   |         |               | 25                                 | 7,5                           | 5,5        | <b>H220 - 41 ... - 457V4</b> |
|   |         |               | 32                                 | 11                            | 7,5        | <b>H226 - 41 ... - 457V4</b> |
|   |         |               | 40                                 | 15                            | 11         | <b>H233 - 41 ... - 457V4</b> |
|   |         |               | 63                                 | 22                            | 18,5       | <b>H263 - 41 ... - 457V4</b> |
|   | 3 ... 4 | H200-B        |                                    |                               |            |                              |

## SMD modules for basic switch A02

Mounting form module for 457V.

H200-A  
H200-B/-D  
H200-A/-B/-D

**BFA2 - 454**  
**BFB2 - 454**  
**4AV1 - 09**

V-operator module 64 x 64 mm, mounting form 457V1  
Escutcheon black, handle black  
Legend plate silver, operator module 457V1

**FAS4 - 9078**  
**4AV4 - 09**

V-operator module 64 x 64 mm, mounting form 457V4  
Escutcheon black, handle red  
Legend plate yellow, operator module 457V4  
Additional top escutcheon plate

**FBS4 - 9078**  
**FAZ2 - 8041**

## Dimensions (mm)

| Product lines | A  | B  | B1 | B2 | C1 | D1 | D2 | E  | H  |
|---------------|----|----|----|----|----|----|----|----|----|
| H200-A        | 64 | 36 | 48 | 60 | 39 | 15 | 5  | 48 | 70 |
| H200-B        | 64 | 50 | 69 | 88 | 39 | 15 | 5  | 48 | 72 |
| H200-D        | 64 | 72 | 84 | 96 | 39 | 15 | 5  | 48 | 70 |

C<sup>1</sup>) Internal depth, inside of door to top of DIN rail. Metal shaft is not included. Please order separately. See page B9-21.

# Base Mounting Switches

# sälzer

**Product lines**  
**H200-A/-B**

**Base mounting switch**

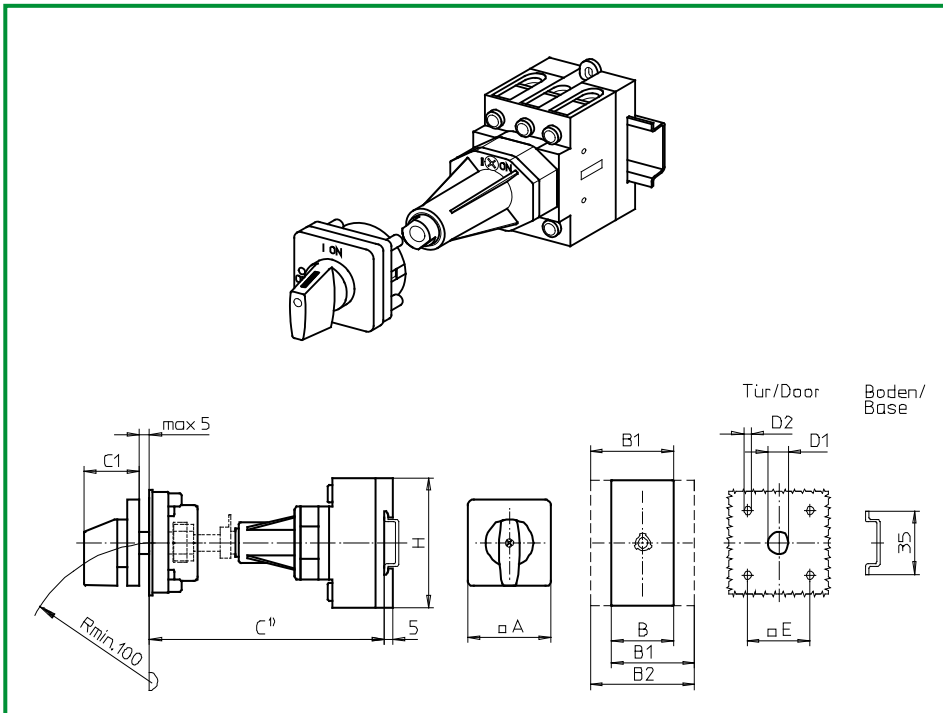
**Door interlock**

Metal shaft extension  
With shaft retaining bush

**Four hole mounting**

36 × 36 mm front

**481M1** (IP66)



| Complete switch                        | Poles   | Product lines | Rated data (IEC 60947)             |                               |            | Order code number            |
|--|---------|---------------|------------------------------------|-------------------------------|------------|------------------------------|
|  |         |               | Operational current I <sub>e</sub> | Operational power at 380–440V |            |                              |
|  |         |               | AC-21A<br>A                        | AC-23A<br>kW                  | AC-3<br>kW |                              |
| ON-OFF Switches<br>Switching angle 90° | 3 ... 4 | H200-A        | 20                                 | 5,5                           | 3,7        | <b>H216 - 41 ... - 481M1</b> |
|  |         |               | 25                                 | 7,5                           | 5,5        | <b>H220 - 41 ... - 481M1</b> |
|  |         |               | 32                                 | 11                            | 7,5        | <b>H226 - 41 ... - 481M1</b> |
|  |         |               | 40                                 | 15                            | 11         | <b>H233 - 41 ... - 481M1</b> |
|  |         |               | 63                                 | 22                            | 18,5       | <b>H263 - 41 ... - 481M1</b> |
|  | 3 ... 4 | H200-B        |                                    |                               |            |                              |

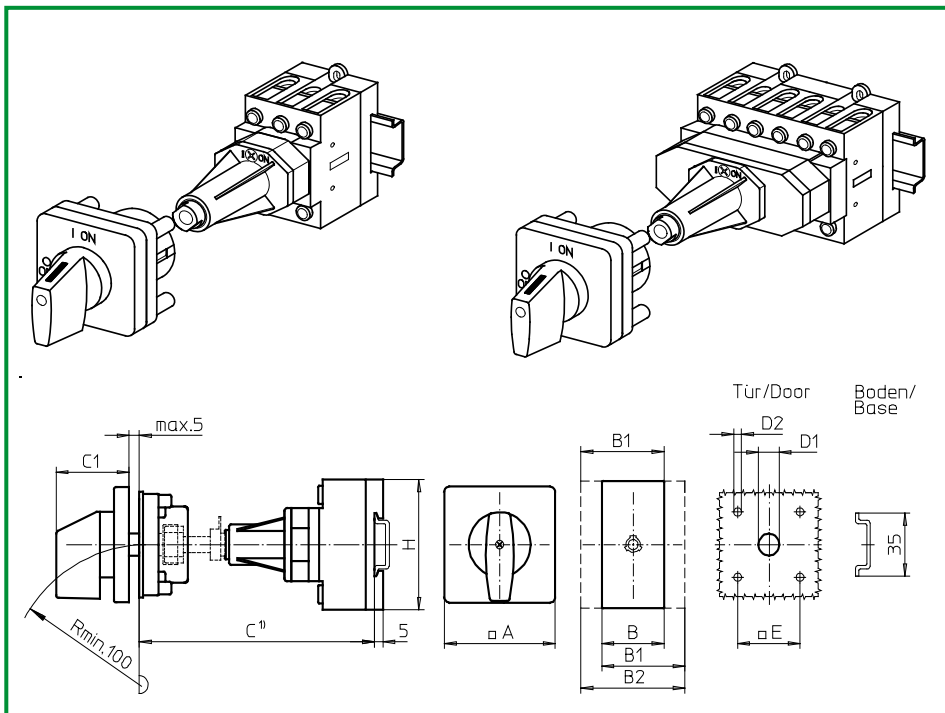
| SMD modules for basic switch A02  |                  |  |
|---|------------------|--|
| Mounting form module for 481M1  | H200-A<br>H200-B | <b>BFA2 - 481</b><br><b>BFB2 - 481</b> |
| M-operator module 48 × 48 mm, mounting form 481M1<br>Escutcheon black, handle black | H200-A/-B        | <b>2AM1</b>                            |
| Legend plate silver, operator module 481M1  |                  | <b>FAS2 - 9...</b> (FA number)         |

| Dimensions (mm) |    |    |    |    |    |    |     |    |    |
|-----------------|----|----|----|----|----|----|-----|----|----|
| Product lines   | A  | B  | B1 | B2 | C1 | D1 | D2  | E  | H  |
| H200-A          | 48 | 36 | 48 | 60 | 32 | 15 | 4,5 | 36 | 70 |
| H200-B          | 48 | 50 | 69 | 88 | 32 | 15 | 4,5 | 36 | 72 |

C<sup>1</sup>) Internal depth, inside of door to top of DIN rail. Metal shaft is not included. Please order separately. See page B9-21.

# Base Mounting Switches

# sälzer



**Product lines**  
H200-A/-B/-D/-E

**Base mounting switch**  
Operator module of next size

**Door interlock**  
Metal shaft extension  
With shaft retaining bush

**Four hole mounting**  
48 x 48 mm front

**482M1** (IP66)

| Complete switch                            | Poles   | Product lines | Rated data (IEC 60947)             |                               |            | Order code number     |
|--|---------|---------------|------------------------------------|-------------------------------|------------|-----------------------|
|  |         |               | Operational current I <sub>e</sub> | Operational power at 380–440V |            |                       |
|  |         |               | AC-21A<br>A                        | AC-23A<br>kW                  | AC-3<br>kW |                       |
| ON-OFF Switches<br>Switching angle 90°     | 3 ... 8 | H200-A/-D     | 20                                 | 5,5                           | 3,7        | H216 - 41 ... - 482M1 |
|  |         |               | 25                                 | 7,5                           | 5,5        | H220 - 41 ... - 482M1 |
|  |         |               | 32                                 | 11                            | 7,5        | H226 - 41 ... - 482M1 |
|  |         |               | 40                                 | 15                            | 11         | H233 - 41 ... - 482M1 |
|  | 3 ... 4 | H200-B        | 63                                 | 22                            | 18,5       | H263 - 41 ... - 482M1 |
| Changeover with OFF<br>Switching angle 90° | 3 ... 4 | H200-E        | 20                                 | 5,5                           | 3,7        | H216 - 71 ... - 482M1 |
|  |         |               | 25                                 | 7,5                           | 5,5        | H220 - 71 ... - 482M1 |
|  |         |               | 32                                 | 11                            | 7,5        | H226 - 71 ... - 482M1 |
|  |         |               | 40                                 | 22                            | 18,5       | H233 - 71 ... - 482M1 |

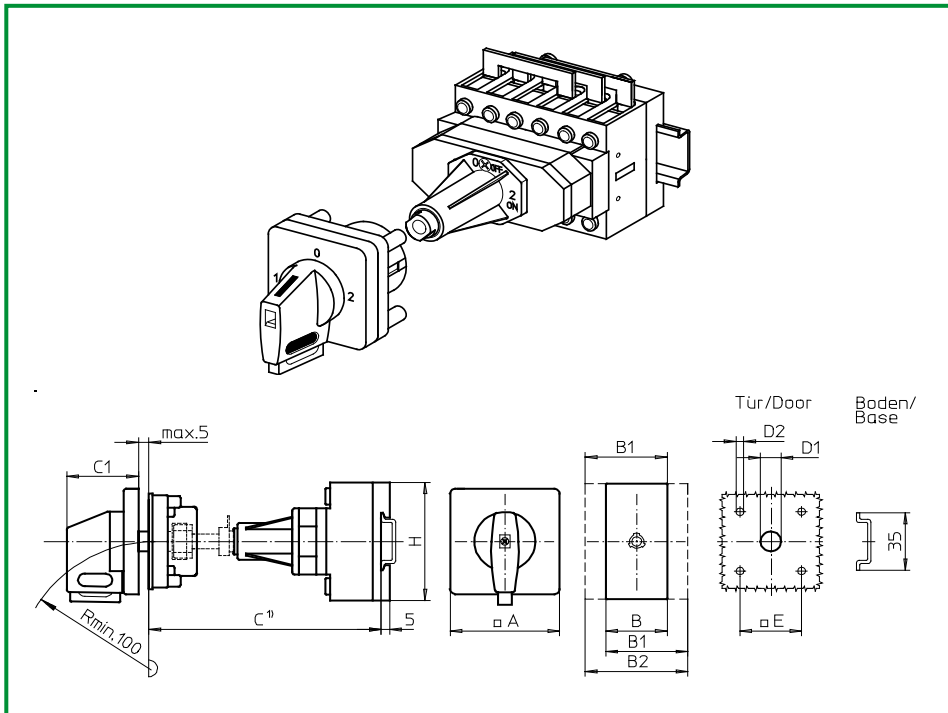
| SMD modules for basic switch A02  |                               |  |
|---|-------------------------------|--|
| Mounting form module for 482M1  | H200-A<br>H200-B/-D<br>H200-E | BFA2 - 482<br>BFB2 - 482<br>BFC2 - 482 |
| M-operator module 64 x 64 mm, mounting form 482M1<br>Escutcheon black, handle black | H200-A/-B/-D/-E               | 4AM1                                   |
| Legend plate silver, operator module 482M1  |                               | FAS4 - 9... (FA number)                |

| Dimensions (mm) |    |    |    |    |    |    |    |    |    |
|-----------------|----|----|----|----|----|----|----|----|----|
| Product lines   | A  | B  | B1 | B2 | C1 | D1 | D2 | E  | H  |
| H200-A          | 64 | 36 | 48 | 60 | 39 | 15 | 5  | 48 | 70 |
| H200-B          | 64 | 50 | 69 | 88 | 39 | 15 | 5  | 48 | 72 |
| H200-D          | 64 | 72 | 84 | 96 | 39 | 15 | 5  | 48 | 70 |
| H200-E          | 64 | 72 | 84 | 96 | 39 | 15 | 5  | 48 | 70 |

C<sup>1</sup>) Internal depth, inside of door to top of DIN rail. Metal shaft is not included. Please order separately. See page B9-21.

# Base Mounting Switches

# sälzer



**Product line**  
**H200-E**

**Base mounting switch**  
Operator module of next size

**Door interlock**  
Metal shaft extension  
With shaft retaining bush

**Four hole mounting**  
48 × 48 mm front

**482V1** (IP66)

**449V1** (IP66)

| Complete switch  | Poles   | Product lines | Rated data (IEC 60947)             |                               |            | Order code number            |
|--|---------|---------------|------------------------------------|-------------------------------|------------|------------------------------|
|  |         |               | Operational current I <sub>e</sub> | Operational power at 380–440V |            |                              |
|  |         |               | AC-21A<br>A                        | AC-23A<br>kW                  | AC-3<br>kW |                              |
| Changeover with OFF<br>Switching angle 90°<br>OFF position padlockable 12h             | 3 ... 4 | H200-E        | 20                                 | 5,5                           | 3,7        | <b>H216 - 71 ... - 482V1</b> |
|  |         |               | 25                                 | 7,5                           | 5,5        | <b>H220 - 71 ... - 482V1</b> |
|  |         |               | 32                                 | 11                            | 7,5        | <b>H226 - 71 ... - 482V1</b> |
|  |         |               | 40                                 | 22                            | 18,5       | <b>H233 - 11 ... - 482V1</b> |
| Changeover with OFF<br>Switching angle 90°<br>3 positions padlockable<br>(09h/12h/03h) | 3 ... 4 | H200-E        | 20                                 | 5,5                           | 3,7        | <b>H216 - 71 ... - 449V1</b> |
|  |         |               | 25                                 | 7,5                           | 5,5        | <b>H220 - 71 ... - 449V1</b> |
|  |         |               | 32                                 | 11                            | 7,5        | <b>H226 - 71 ... - 449V1</b> |
|  |         |               | 40                                 | 22                            | 18,5       | <b>H233 - 71 ... - 449V1</b> |

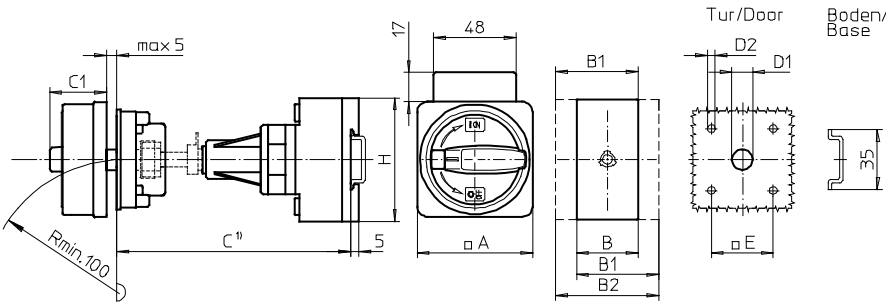
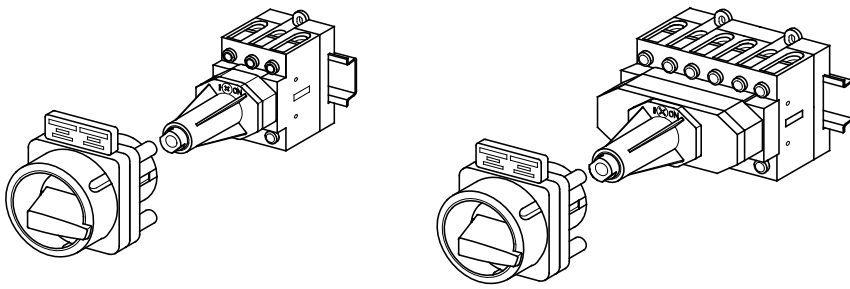
| SMD modules for basic switch A02  |  |        |                                |
|---|--|--------|--------------------------------|
| Mounting form module for 482V1/449V1  |  | H200-E | <b>BFC2 - 482</b>              |
| V-operator module 64 × 64 mm, mounting form 482V1<br>Escutcheon black, handle black |  |        | <b>4AV1 - 12</b>               |
| V-operator module 64 × 64 mm, mounting form 449V1<br>Escutcheon black, handle black |  |        | <b>4AV1 - 99</b>               |
| Legend plate silver, operator modules 482V1/449V1                                   |  |        | <b>FAS4 - 9...</b> (FA number) |

| Dimensions (mm) |    |    |    |    |    |    |    |    |    |
|-----------------|----|----|----|----|----|----|----|----|----|
| Product line    | A  | B  | B1 | B2 | C1 | D1 | D2 | E  | H  |
| H200-E          | 64 | 72 | 84 | 96 | 39 | 15 | 5  | 48 | 70 |

C<sup>1</sup>) Internal depth, inside of door to top of DIN rail. Metal shaft is not included. Please order separately. See page B9-21.

# Base Mounting Switches

**sälzer**



**Product lines  
H200-A/-B/-D**

**Base mounting switch**

**Door interlock**

Metal shaft extension  
With shaft retaining bush

**Four hole mounting**

36 × 36 mm front

**483M1** (IP66)

**483M4** (IP66)

| Complete switch   | Poles   | Product lines | Rated data (IEC 60947)   |                               |                     | Order code number                      |
|---|---------|---------------|--|-------------------------------|---------------------|--|
|   |         |               | Operational current I <sub>e</sub>   | Operational power at 380–440V |                     |  |
|   |         |               | AC-21A<br>A  | AC-23A<br>kW                  | AC-3<br>kW          |  |
| Main Switches<br>OFF position padlockable 09h               | 3 ... 8 | H200-A/-D     | 20   | 5,5                           | 3,7                 | <b>H216 - 41 ... - 483M1</b>           |
|   |         |               | 25   | 7,5                           | 5,5                 | <b>H220 - 41 ... - 483M1</b>           |
|   |         |               | 32   | 11                            | 7,5                 | <b>H226 - 41 ... - 483M1</b>           |
|   |         |               | 40   | 15                            | 11                  | <b>H233 - 41 ... - 483M1</b>           |
|   |         |               | 63   | 22                            | 18,5                | <b>H263 - 41 ... - 483M1</b>           |
| Main/Emergency-Off Switches<br>OFF position padlockable 09h | 3 ... 8 | H200-A/-D     | 20   | 5,5                           | 3,7                 | <b>H216 - 41 ... - 483M4</b>           |
|   |         |               | 25   | 7,5                           | 5,5                 | <b>H220 - 41 ... - 483M4</b>           |
|   |         |               | 32   | 11                            | 7,5                 | <b>H226 - 41 ... - 483M4</b>           |
|   |         |               | 40   | 15                            | 11                  | <b>H233 - 41 ... - 483M4</b>           |
|   |         |               | 63   | 22                            | 18,5                | <b>H263 - 41 ... - 483M4</b>           |
| SMD modules for basic switch A02                            |         |               | Mounting form module for 483M.   |                               |                     | <b>BFA2 - 483</b><br><b>BFB2 - 483</b> |
|   |         |               | M-padlock device 67 × 67 mm, mounting form 483M1<br>Escutcheon black, padlockable handle black |                               | H200-A<br>H200-B/-D | <b>2CM1</b>                            |
|   |         |               | M-padlock device 67 × 67 mm, mounting form 483M4<br>Escutcheon yellow, padlockable handle red  |                               | H200-A/-B/-D        | <b>2CM4</b>                            |
|   |         |               | Additional top escutcheon plate  |                               |                     | <b>FAZ2 - 8041</b>                     |
|   |         |               |  |                               |                     |  |

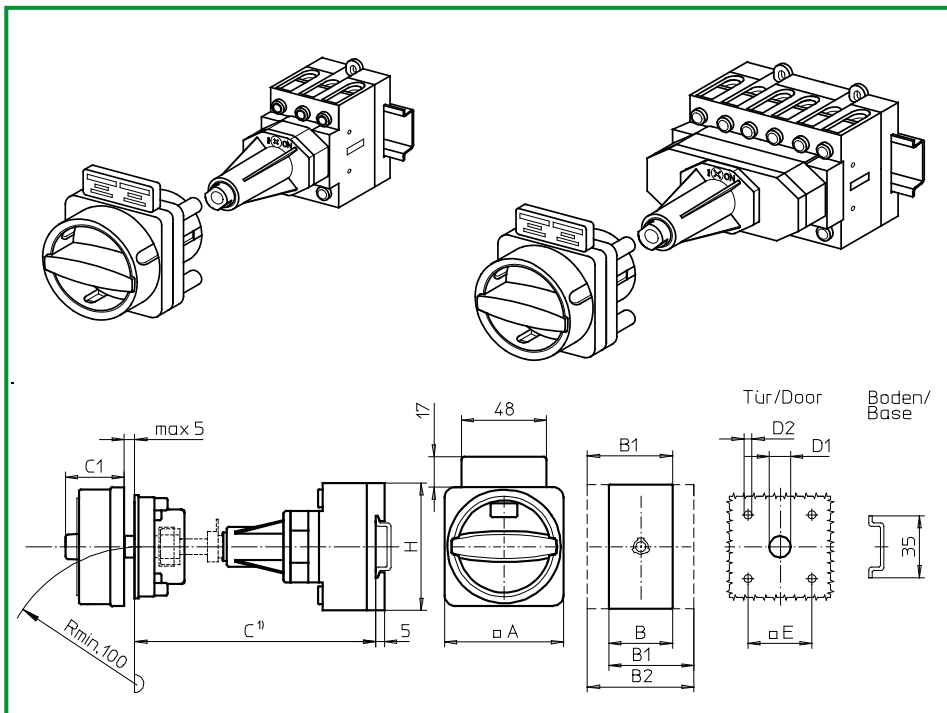
## Dimensions (mm)

| Product lines | A  | B  | B1 | B2 | C1 | D1 | D2  | E  | H  |
|---------------|----|----|----|----|----|----|-----|----|----|
| H200-A        | 67 | 36 | 48 | 60 | 38 | 15 | 4,5 | 36 | 70 |
| H200-B        | 67 | 50 | 69 | 88 | 38 | 15 | 4,5 | 36 | 72 |
| H200-D        | 67 | 72 | 84 | 96 | 38 | 15 | 4,5 | 36 | 70 |

C<sup>1</sup>) Internal depth, inside of door to top of DIN rail. Metal shaft is not included. Please order separately. See page B9-21.

# Base Mounting Switches

**sälzer**



**Product lines  
H200-A/-B/-D**

**Base mounting switch**

**Door interlock**

Metal shaft extension  
With shaft retaining bush

**Four hole mounting**

36 × 36 mm front

**483N1 (IP66)**

**483N4 (IP66)**

| Complete switch   | Poles   | Product lines | Rated data (IEC 60947)             |                               |            | Order code number            |
|---|---------|---------------|------------------------------------|-------------------------------|------------|------------------------------|
|   |         |               | Operational current I <sub>e</sub> | Operational power at 380–440V |            |                              |
|   |         |               | AC-21A<br>A                        | AC-23A<br>kW                  | AC-3<br>kW |                              |
| Main Switches<br>OFF position padlockable 12h               | 3 ... 8 | H200-A/-D     | 20                                 | 5,5                           | 3,7        | <b>H216 - 41 ... - 483N1</b> |
|   |         |               | 25                                 | 7,5                           | 5,5        | <b>H220 - 41 ... - 483N1</b> |
|   |         |               | 32                                 | 11                            | 7,5        | <b>H226 - 41 ... - 483N1</b> |
|   |         |               | 40                                 | 15                            | 11         | <b>H233 - 41 ... - 483N1</b> |
|   |         |               | 63                                 | 22                            | 18,5       | <b>H263 - 41 ... - 483N1</b> |
| Main/Emergency-Off Switches<br>OFF position padlockable 12h | 3 ... 8 | H200-A/-D     | 20                                 | 5,5                           | 3,7        | <b>H216 - 41 ... - 483N4</b> |
|   |         |               | 25                                 | 7,5                           | 5,5        | <b>H220 - 41 ... - 483N4</b> |
|   |         |               | 32                                 | 11                            | 7,5        | <b>H226 - 41 ... - 483N4</b> |
|   |         |               | 40                                 | 15                            | 11         | <b>H233 - 41 ... - 483N4</b> |
|   |         |               | 63                                 | 22                            | 18,5       | <b>H263 - 41 ... - 483N4</b> |
|   | 3 ... 4 | H200-B        |                                    |                               |            |                              |

| SMD modules for basic switch A02   |                     |  |
|--|---------------------|--|
| Mounting form module for 483N.   | H200-A<br>H200-B/-D | <b>BFA2 - 483</b><br><b>BFB2 - 483</b> |
| N-padlock device 67 × 67 mm, mounting form 483N1<br>Escutcheon black, padlockable handle black | H200-A/-B/-D        | <b>2CN1</b>                            |
| N-padlock device 67 × 67 mm, mounting form 483N4<br>Escutcheon yellow, padlockable handle red  |                     | <b>2CN4</b>                            |
| Additional top escutcheon plate  |                     | <b>FAZZ - 8041</b>                     |

| Dimensions (mm) |    |    |    |    |    |    |     |    |    |
|-----------------|----|----|----|----|----|----|-----|----|----|
| Product lines   | A  | B  | B1 | B2 | C1 | D1 | D2  | E  | H  |
| H200-A          | 67 | 36 | 48 | 60 | 33 | 15 | 4,5 | 36 | 70 |
| H200-B          | 67 | 50 | 69 | 88 | 33 | 15 | 4,5 | 36 | 72 |
| H200-D          | 67 | 72 | 84 | 96 | 33 | 15 | 4,5 | 36 | 70 |

C<sup>1</sup>) Internal depth, inside of door to top of DIN rail. Metal shaft is not included. Please order separately. See page B9-21.

# Base Mounting Switches

**sälzer**

**Product lines  
H200-A/-B**

**Base mounting switch**

**Door interlock**

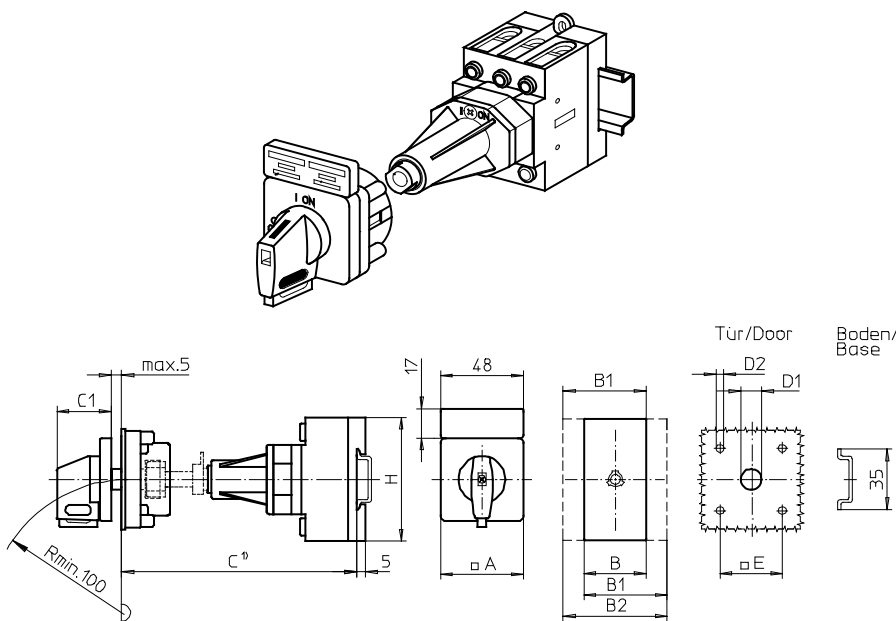
Metal shaft extension  
With shaft retaining bush

**Four hole mounting**

36 × 36 mm front

**483V1 (IP66)**

**483V4 (IP66)**



| Complete switch   | Poles   | Product lines | Rated data (IEC 60947)             |                               |            | Order code number            |
|---|---------|---------------|------------------------------------|-------------------------------|------------|------------------------------|
|   |         |               | Operational current I <sub>e</sub> | Operational power at 380–440V |            |                              |
|   |         |               | AC-21A<br>A                        | AC-23A<br>kW                  | AC-3<br>kW |                              |
| Main Switches<br>OFF position padlockable 09h               | 3 ... 4 | H200-A        | 20                                 | 5,5                           | 3,7        | <b>H216 - 41 ... - 483V1</b> |
|   |         |               | 25                                 | 7,5                           | 5,5        | <b>H220 - 41 ... - 483V1</b> |
|   |         |               | 32                                 | 11                            | 7,5        | <b>H226 - 41 ... - 483V1</b> |
|   |         |               | 40                                 | 15                            | 11         | <b>H233 - 41 ... - 483V1</b> |
|   |         |               | 63                                 | 22                            | 18,5       | <b>H263 - 41 ... - 483V1</b> |
| Main/Emergency-Off Switches<br>OFF position padlockable 09h | 3 ... 4 | H200-A        | 20                                 | 5,5                           | 3,7        | <b>H216 - 41 ... - 483V4</b> |
|   |         |               | 25                                 | 7,5                           | 5,5        | <b>H220 - 41 ... - 483V4</b> |
|   |         |               | 32                                 | 11                            | 7,5        | <b>H226 - 41 ... - 483V4</b> |
|   |         |               | 40                                 | 15                            | 11         | <b>H233 - 41 ... - 483V4</b> |
|   |         |               | 63                                 | 22                            | 18,5       | <b>H263 - 41 ... - 483V4</b> |

## SMD modules for basic switch A02

Mounting form module for 483V.

H200-A  
H200-B  
H200-A/-B

**BFA2 - 481**  
**BFB2 - 481**  
**2AV1 - 09**

V-operator module 48 × 48 mm, mounting form 483V1  
Escutcheon black, handle black  
Legend plate silver, operator module 483V1

**FAS2 - 9078**  
**2AV4 - 09**

V-operator module 48 × 48 mm, mounting form 483V4  
Escutcheon black, handle red  
Legend plate yellow, operator module 483V4  
Additional top escutcheon plate

**FBS2 - 9078**  
**FAZ2 - 8041**

## Dimensions (mm)

| Product lines | A  | B  | B1 | B2 | C1 | D1 | D2  | E  | H  |
|---------------|----|----|----|----|----|----|-----|----|----|
| H200-A        | 48 | 36 | 48 | 60 | 32 | 15 | 4,5 | 36 | 70 |
| H200-B        | 48 | 50 | 69 | 88 | 32 | 15 | 4,5 | 36 | 72 |

C<sup>1)</sup> Internal depth, inside of door to top of DIN rail. Metal shaft is not included. Please order separately. See page B9-21.

# Base Mounting Switches

**sälzer**

**Product lines  
H200-A/-B**

**Base mounting switch**

**Door interlock**

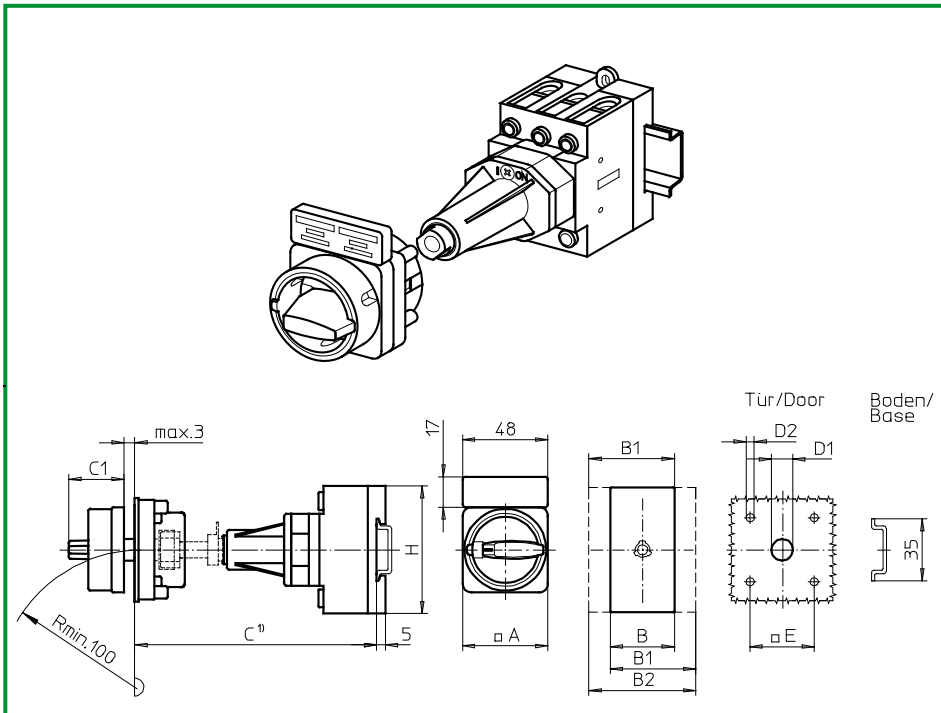
Metal shaft extension  
With shaft retaining bush

**Four hole mounting**

36 × 36 mm front

**435M1** (IP66)

**435M4** (IP66)



| Complete switch   | Poles   | Product lines | Rated data (IEC 60947)             |                               |            | Order code number  |                  |  |
|---|---------|---------------|------------------------------------|-------------------------------|------------|--|------------------|--|
|   |         |               | Operational current I <sub>e</sub> | Operational power at 380–440V |            |  |                  |  |
|   |         |               | AC-21A<br>A                        | AC-23A<br>kW                  | AC-3<br>kW |  |                  |  |
| Main Switches<br>OFF position padlockable 09h               | 3 ... 4 | H200-A        | 20                                 | 5,5                           | 3,7        | <b>H216 - 41 ... - 435M1</b>   |                  |  |
|   |         |               | 25                                 | 7,5                           | 5,5        | <b>H220 - 41 ... - 435M1</b>   |                  |  |
|   |         |               | 32                                 | 11                            | 7,5        | <b>H226 - 41 ... - 435M1</b>   |                  |  |
|   |         |               | 40                                 | 15                            | 11         | <b>H233 - 41 ... - 435M1</b>   |                  |  |
|   |         |               | 63                                 | 22                            | 18,5       | <b>H263 - 41 ... - 435M1</b>   |                  |  |
| Main/Emergency-Off Switches<br>OFF position padlockable 09h | 3 ... 4 | H200-A        | 20                                 | 5,5                           | 3,7        | <b>H216 - 41 ... - 435M4</b>   |                  |  |
|   |         |               | 25                                 | 7,5                           | 5,5        | <b>H220 - 41 ... - 435M4</b>   |                  |  |
|   |         |               | 32                                 | 11                            | 7,5        | <b>H226 - 41 ... - 435M4</b>   |                  |  |
|   |         |               | 40                                 | 15                            | 11         | <b>H233 - 41 ... - 435M4</b>   |                  |  |
|   |         |               | 63                                 | 22                            | 18,5       | <b>H263 - 41 ... - 435M4</b>   |                  |  |
| SMD modules for basic switch A02                            |         |               |                                    |                               |            | Mounting form module for 435M.   | H200-A<br>H200-B | <b>BFA2 - 481</b><br><b>BFB2 - 481</b> |
|   |         |               |                                    |                               |            | M-padlock device 48 × 48 mm, mounting form 435M1<br>Escutcheon black, padlockable handle black | H200-A/-B        | <b>2BM1</b>                            |
|   |         |               |                                    |                               |            | M-padlock device 48 × 48 mm, mounting form 435M4<br>Escutcheon yellow, padlockable handle red  |                  | <b>2BM4</b>                            |
|   |         |               |                                    |                               |            | Additional top escutcheon plate  |                  | <b>FAZZ - 8041</b>                     |

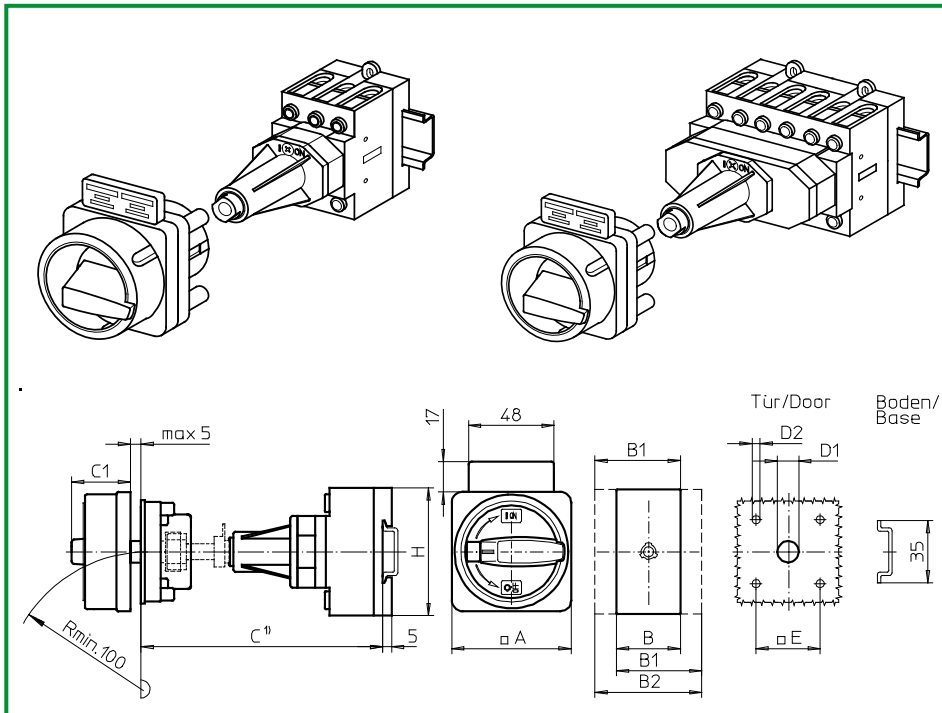
| Dimensions (mm) |    |    |    |    |    |    |     |    |    |
|-----------------|----|----|----|----|----|----|-----|----|----|
| Product lines   | A  | B  | B1 | B2 | C1 | D1 | D2  | E  | H  |
| H200-A          | 48 | 36 | 48 | 60 | 31 | 15 | 4,5 | 36 | 70 |
| H200-B          | 48 | 50 | 69 | 88 | 31 | 15 | 4,5 | 36 | 72 |

C<sup>1</sup>) Internal depth, inside of door to top of DIN rail. Metal shaft is not included. Please order separately. See page B9-21.



# Base Mounting Switches

**sälzer**



**Product lines**  
**H200-A/-B/-D**

**Base mounting switch**  
Operator module of next size

**Door interlock**  
Metal shaft extension  
With shaft retaining bush

**Four hole mounting**  
48 × 48 mm front

**484M1** (IP66)

**484M4** (IP66)

| Complete switch   | Poles   | Product lines | Rated data (IEC 60947)             |                               |            | Order code number            |
|---|---------|---------------|------------------------------------|-------------------------------|------------|------------------------------|
|   |         |               | Operational current I <sub>e</sub> | Operational power at 380–440V |            |                              |
|   |         |               | AC-21A<br>A                        | AC-23A<br>kW                  | AC-3<br>kW |                              |
| Main Switches<br>OFF position padlockable 09h               | 3 ... 8 | H200-A/-D     | 20                                 | 5,5                           | 3,7        | <b>H216 - 41 ... - 484M1</b> |
|   |         |               | 25                                 | 7,5                           | 5,5        | <b>H220 - 41 ... - 484M1</b> |
|   |         |               | 32                                 | 11                            | 7,5        | <b>H226 - 41 ... - 484M1</b> |
|   |         |               | 40                                 | 15                            | 11         | <b>H233 - 41 ... - 484M1</b> |
|   |         |               | 63                                 | 22                            | 18,5       | <b>H263 - 41 ... - 484M1</b> |
| Main/Emergency-Off Switches<br>OFF position padlockable 09h | 3 ... 8 | H200-A/-D     | 20                                 | 5,5                           | 3,7        | <b>H216 - 41 ... - 484M4</b> |
|   |         |               | 25                                 | 7,5                           | 5,5        | <b>H220 - 41 ... - 484M4</b> |
|   |         |               | 32                                 | 11                            | 7,5        | <b>H226 - 41 ... - 484M4</b> |
|   |         |               | 40                                 | 15                            | 11         | <b>H233 - 41 ... - 484M4</b> |
|   |         |               | 63                                 | 22                            | 18,5       | <b>H263 - 41 ... - 484M4</b> |
|   | 3 ... 4 | H200-B        |                                    |                               |            |                              |

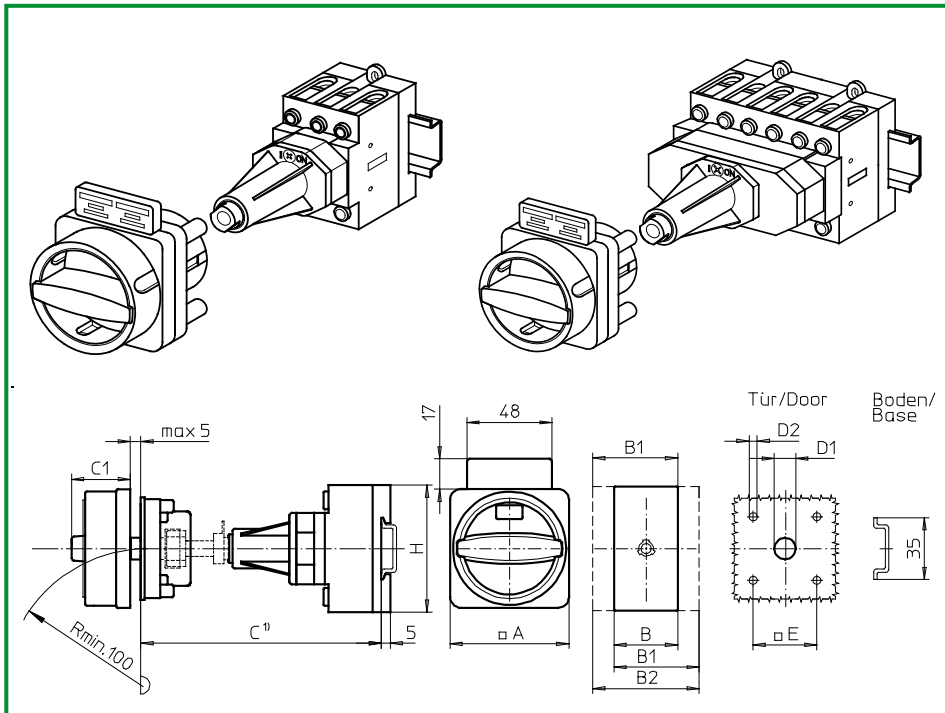
| SMD modules for basic switch A02   |                     |  |
|--|---------------------|--|
| Mounting form module for 484M.   | H200-A<br>H200-B/-D | <b>BFA2 - 483</b><br><b>BFB2 - 483</b> |
| M-padlock device 67 × 67 mm, mounting form 484M1<br>Escutcheon black, padlockable handle black | H200-A/-B/-D        | <b>4BM1</b>                            |
| M-padlock device 67 × 67 mm, mounting form 484M4<br>Escutcheon yellow, padlockable handle red  |                     | <b>4BM4</b>                            |
| Additional top escutcheon plate  |                     | <b>FAZZ - 8041</b>                     |

| Dimensions (mm) |    |    |    |    |    |    |    |    |    |
|-----------------|----|----|----|----|----|----|----|----|----|
| Product lines   | A  | B  | B1 | B2 | C1 | D1 | D2 | E  | H  |
| H200-A          | 67 | 36 | 48 | 60 | 38 | 15 | 5  | 48 | 70 |
| H200-B          | 67 | 50 | 69 | 88 | 38 | 15 | 5  | 48 | 72 |
| H200-D          | 67 | 72 | 84 | 96 | 38 | 15 | 5  | 48 | 70 |

C<sup>1</sup>) Internal depth, inside of door to top of DIN rail. Metal shaft is not included. Please order separately. See page B9-21.

# Base Mounting Switches

**sälzer**



**Product lines**  
**H200-A/-B/-D**

**Base mounting switch**  
Operator module of next size

**Door interlock**  
Metal shaft extension

**Four hole mounting**  
48 x 48 mm front

**484N1** (IP66)  
**484N4** (IP66)

| Complete switch   | Poles   | Product lines | Rated data (IEC 60947)   |                               |                     | Order code number                      |
|---|---------|---------------|--|-------------------------------|---------------------|--|
|   |         |               | Operational current I <sub>e</sub>   | Operational power at 380–440V |                     |  |
|   |         |               | AC-21A<br>A  | AC-23A<br>kW                  | AC-3<br>kW          |  |
| Main Switches<br>OFF position padlockable 12h               | 3 ... 8 | H200-A/-D     | 20   | 5,5                           | 3,7                 | <b>H216 - 41 ... - 484N1</b>           |
|   |         |               | 25   | 7,5                           | 5,5                 | <b>H220 - 41 ... - 484N1</b>           |
|   |         |               | 32   | 11                            | 7,5                 | <b>H226 - 41 ... - 484N1</b>           |
|   |         |               | 40   | 15                            | 11                  | <b>H233 - 41 ... - 484N1</b>           |
|   |         |               | 63   | 22                            | 18,5                | <b>H263 - 41 ... - 484N1</b>           |
| Main/Emergency-Off Switches<br>OFF position padlockable 12h | 3 ... 8 | H200-A/-D     | 20   | 5,5                           | 3,7                 | <b>H216 - 41 ... - 484N4</b>           |
|   |         |               | 25   | 7,5                           | 5,5                 | <b>H220 - 41 ... - 484N4</b>           |
|   |         |               | 32   | 11                            | 7,5                 | <b>H226 - 41 ... - 484N4</b>           |
|   |         |               | 40   | 15                            | 11                  | <b>H233 - 41 ... - 484N4</b>           |
|   |         |               | 63   | 22                            | 18,5                | <b>H263 - 41 ... - 484N4</b>           |
| SMD modules for basic switch A02                            |         |               | Mounting form module for 484N.   |                               |                     | <b>BFA2 - 483</b><br><b>BFB2 - 483</b> |
|   |         |               | N-padlock device 67 x 67 mm, mounting form 484N1<br>Escutcheon black, padlockable handle black |                               | H200-A<br>H200-B/-D | <b>4BN1</b>                            |
|   |         |               | N-padlock device 67 x 67 mm, mounting form 484N4<br>Escutcheon yellow, padlockable handle red  |                               | H200-A/-B/-D        | <b>4BN4</b>                            |
|   |         |               | Additional top escutcheon plate  |                               |                     | <b>FAZZ2 - 8041</b>                    |

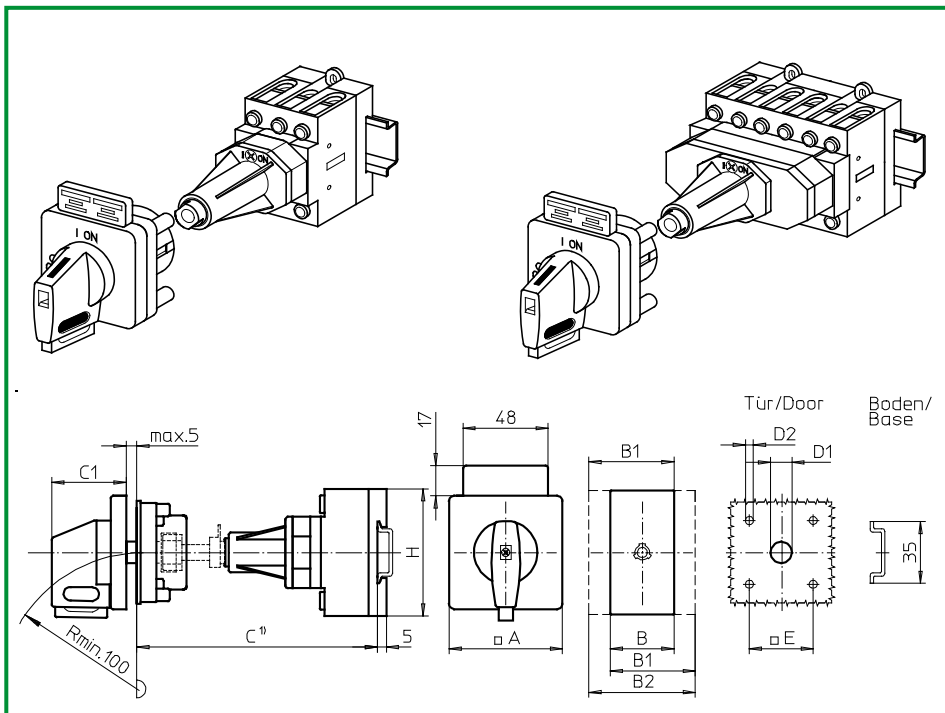
| SMD modules for basic switch A02   |  |  |  |                     |  |  |  |  |  |
|--|--|--|--|---------------------|--|--|--|--|--|
| Mounting form module for 484N.   |  |  |  | H200-A<br>H200-B/-D |  | <b>BFA2 - 483</b><br><b>BFB2 - 483</b> |  |  |  |
| N-padlock device 67 x 67 mm, mounting form 484N1<br>Escutcheon black, padlockable handle black |  |  |  | H200-A/-B/-D        |  | <b>4BN1</b>                            |  |  |  |
| N-padlock device 67 x 67 mm, mounting form 484N4<br>Escutcheon yellow, padlockable handle red  |  |  |  |                     |  | <b>4BN4</b>                            |  |  |  |
| Additional top escutcheon plate  |  |  |  |                     |  | <b>FAZZ2 - 8041</b>                    |  |  |  |

| Dimensions (mm) |    |    |    |    |    |    |    |    |    |
|-----------------|----|----|----|----|----|----|----|----|----|
| Product lines   | A  | B  | B1 | B2 | C1 | D1 | D2 | E  | H  |
| H200-A          | 67 | 36 | 48 | 60 | 33 | 15 | 5  | 48 | 70 |
| H200-B          | 67 | 50 | 69 | 88 | 33 | 15 | 5  | 48 | 72 |
| H200-D          | 67 | 72 | 84 | 96 | 33 | 15 | 5  | 48 | 70 |

C<sup>1</sup>) Internal depth, inside of door to top of DIN rail. Metal shaft is not included. Please order separately. See page B9-21.

# Base Mounting Switches

**sälzer**



**Product lines**  
**H200-A/-B/-D**

**Base mounting switch**  
Operator module of next size

**Door interlock**  
Metal shaft extension

**Four hole mounting**  
48 x 48 mm front

**484V1** (IP66)  
**484V4** (IP66)

| Complete switch   | Poles   | Product lines | Rated data (IEC 60947)             |                               |            | Order code number            |
|---|---------|---------------|------------------------------------|-------------------------------|------------|------------------------------|
|   |         |               | Operational current I <sub>e</sub> | Operational power at 380–440V |            |                              |
|   |         |               | AC-21A<br>A                        | AC-23A<br>kW                  | AC-3<br>kW |                              |
| Main Switches<br>OFF position padlockable 09h               | 3 ... 8 | H200-A/-D     | 20                                 | 5,5                           | 3,7        | <b>H216 - 41 ... - 484V1</b> |
|   |         |               | 25                                 | 7,5                           | 5,5        | <b>H220 - 41 ... - 484V1</b> |
|   |         |               | 32                                 | 11                            | 7,5        | <b>H226 - 41 ... - 484V1</b> |
|   |         |               | 40                                 | 15                            | 11         | <b>H233 - 41 ... - 484V1</b> |
|   |         |               | 63                                 | 22                            | 18,5       | <b>H263 - 41 ... - 484V1</b> |
| Main/Emergency-Off Switches<br>OFF position padlockable 09h | 3 ... 8 | H200-A/-D     | 20                                 | 5,5                           | 3,7        | <b>H216 - 41 ... - 484V4</b> |
|   |         |               | 25                                 | 7,5                           | 5,5        | <b>H220 - 41 ... - 484V4</b> |
|   |         |               | 32                                 | 11                            | 7,5        | <b>H226 - 41 ... - 484V4</b> |
|   |         |               | 40                                 | 15                            | 11         | <b>H233 - 41 ... - 484V4</b> |
|   |         |               | 63                                 | 22                            | 18,5       | <b>H263 - 41 ... - 484V4</b> |
|   | 3 ... 4 | H200-B        |                                    |                               |            |                              |

## SMD modules for basic switch A02

Mounting form module for 484V.

H200-A  
H200-B/-D  
H200-A/-B/-D

**BFA2 - 482**  
**BFB2 - 482**  
**4AV1 - 09**

V-operator module 64 x 64 mm, mounting form 484V1  
Escutcheon black, handle black  
Legend plate silver, operator module 484V1

**FAS4 - 9078**

V-operator module 64 x 64 mm, mounting form 484V4  
Escutcheon black, handle red  
Legend plate yellow, operator module 484V4  
Additional top escutcheon plate

**4AV4 - 09**

**FBS4 - 9078**

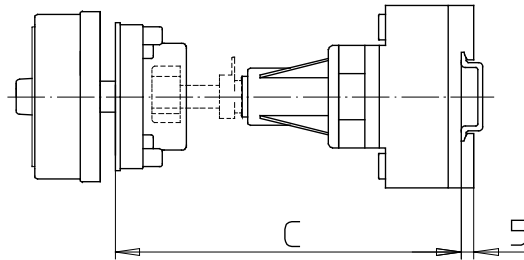
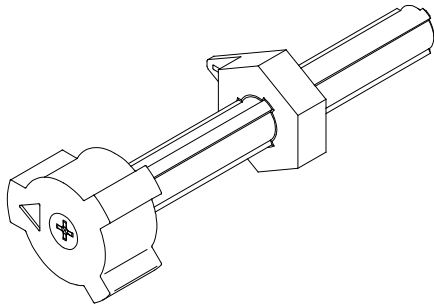
**FAZ2 - 8041**

## Dimensions (mm)

| Product lines | A  | B  | B1 | B2 | C1 | D1 | D2 | E  | H  |
|---------------|----|----|----|----|----|----|----|----|----|
| H200-A        | 64 | 36 | 48 | 60 | 39 | 15 | 5  | 48 | 70 |
| H200-B        | 64 | 50 | 69 | 88 | 39 | 15 | 5  | 48 | 72 |
| H200-D        | 64 | 72 | 84 | 96 | 39 | 15 | 5  | 48 | 70 |

C<sup>1</sup>) Internal depth, inside of door to top of DIN rail. Metal shaft is not included. Please order separately. See page B9-21.

# Metal shaft extension



**Product lines**  
H200-A/-B/-D/-E

**Base mounting switch**

**Door interlock**  
Metal shaft extension

**Four hole mounting**  
Front

**AVB8 - . . .**

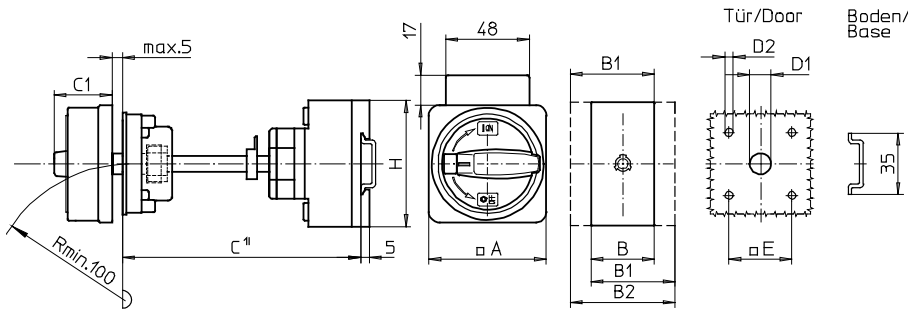
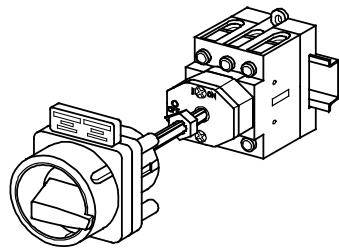
Metal shaft extension for mounting forms **with door interlock** and four hole mounting front

Dimension C (Internal depth, inside of door to top of DIN rail)

| Mounting forms with shaft retaining screw |                | Order code number | Mounting forms with shaft retaining bush |                | Order code number |
|---|----------------|-------------------|--|----------------|-------------------|
| H200-A /-B                                | H200-D/-E      |                   | H200-A /-B                               | H200-D/-E      |                   |
| 128 ... 139 mm                            | 136 ... 147 mm | <b>AVB8 - 053</b> | 140 ... 164 mm                           | 148 ... 172 mm | <b>AVB8 - 065</b> |
| 140 ... 152 mm                            | 148 ... 160 mm | <b>AVB8 - 065</b> | 165 ... 189 mm                           | 173 ... 197 mm | <b>AVB8 - 090</b> |
| 153 ... 164 mm                            | 161 ... 172 mm | <b>AVB8 - 078</b> | 190 ... 214 mm                           | 198 ... 222 mm | <b>AVB8 - 115</b> |
| 165 ... 177 mm                            | 173 ... 185 mm | <b>AVB8 - 090</b> | 215 ... 239 mm                           | 223 ... 247 mm | <b>AVB8 - 140</b> |
| 178 ... 189 mm                            | 186 ... 197 mm | <b>AVB8 - 103</b> | 240 ... 264 mm                           | 248 ... 272 mm | <b>AVB8 - 165</b> |
| 190 ... 202 mm                            | 198 ... 210 mm | <b>AVB8 - 115</b> | 265 ... 289 mm                           | 273 ... 297 mm | <b>AVB8 - 190</b> |
| 203 ... 214 mm                            | 211 ... 222 mm | <b>AVB8 - 128</b> | 290 ... 314 mm                           | 298 ... 322 mm | <b>AVB8 - 215</b> |
| 215 ... 227 mm                            | 223 ... 235 mm | <b>AVB8 - 140</b> | 315 ... 339 mm                           | 323 ... 347 mm | <b>AVB8 - 240</b> |
| 228 ... 239 mm                            | 236 ... 247 mm | <b>AVB8 - 153</b> | 340 ... 364 mm                           | 348 ... 372 mm | <b>AVB8 - 265</b> |
| 240 ... 252 mm                            | 248 ... 260 mm | <b>AVB8 - 165</b> | 365 ... 389 mm                           | 373 ... 397 mm | <b>AVB8 - 290</b> |
| 253 ... 264 mm                            | 261 ... 272 mm | <b>AVB8 - 178</b> | 390 ... 414 mm                           | 398 ... 422 mm | <b>AVB8 - 315</b> |
| 265 ... 277 mm                            | 273 ... 285 mm | <b>AVB8 - 190</b> | 415 ... 439 mm                           | 423 ... 447 mm | <b>AVB8 - 340</b> |
| 278 ... 289 mm                            | 286 ... 297 mm | <b>AVB8 - 203</b> | 440 ... 464 mm                           | 448 ... 472 mm | <b>AVB8 - 365</b> |
| 290 ... 302 mm                            | 298 ... 310 mm | <b>AVB8 - 215</b> | 465 ... 489 mm                           | 473 ... 497 mm | <b>AVB8 - 390</b> |
| 303 ... 314 mm                            | 311 ... 322 mm | <b>AVB8 - 228</b> | 490 ... 514 mm                           | 498 ... 522 mm | <b>AVB8 - 415</b> |
| 315 ... 327 mm                            | 323 ... 335 mm | <b>AVB8 - 240</b> | 515 ... 539 mm                           | 523 ... 547 mm | <b>AVB8 - 440</b> |
| 328 ... 339 mm                            | 336 ... 247 mm | <b>AVB8 - 253</b> | 540 ... 564 mm                           | 548 ... 572 mm | <b>AVB8 - 465</b> |
| 340 ... 352 mm                            | 348 ... 360 mm | <b>AVB8 - 265</b> | 565 ... 589 mm                           | 573 ... 597 mm | <b>AVB8 - 490</b> |
| 353 ... 364 mm                            | 361 ... 372 mm | <b>AVB8 - 278</b> | 590 ... 614 mm                           | 598 ... 622 mm | <b>AVB8 - 515</b> |
| 365 ... 377 mm                            | 373 ... 385 mm | <b>AVB8 - 290</b> | 615 ... 639 mm                           | 623 ... 649 mm | <b>AVB8 - 540</b> |
| 378 ... 389 mm                            | 386 ... 397 mm | <b>AVB8 - 303</b> |  |                |                   |

# Base Mounting Switches

# sälzer



**Product lines**  
H200-A/-B

**Base mounting switch**

**Door interlock**

Metal shaft extension with fixed metal shaft, C = 100 mm

**Four hole mounting**

36 x 36 mm front

**486M1** (IP66)

**486M4** (IP66)

| Complete switch   | Poles   | Product lines | Rated data (IEC 60947)             |                               |            | Order code number            |
|---|---------|---------------|------------------------------------|-------------------------------|------------|------------------------------|
|   |         |               | Operational current I <sub>e</sub> | Operational power at 380–440V |            |                              |
|   |         |               | AC-21A<br>A                        | AC-23A<br>kW                  | AC-3<br>kW |                              |
| Main Switches<br>OFF position padlockable 09h               | 3 ... 4 | H200-A        | 20                                 | 5,5                           | 3,7        | <b>H216 - 41 ... - 486M1</b> |
|   |         |               | 25                                 | 7,5                           | 5,5        | <b>H220 - 41 ... - 486M1</b> |
|   |         |               | 32                                 | 11                            | 7,5        | <b>H226 - 41 ... - 486M1</b> |
|   |         |               | 40                                 | 15                            | 11         | <b>H233 - 41 ... - 486M1</b> |
|   |         |               | 63                                 | 22                            | 18,5       | <b>H263 - 41 ... - 486M1</b> |
| Main/Emergency-Off Switches<br>OFF position padlockable 09h | 3 ... 4 | H200-A        | 20                                 | 5,5                           | 3,7        | <b>H216 - 41 ... - 486M4</b> |
|   |         |               | 25                                 | 7,5                           | 5,5        | <b>H220 - 41 ... - 486M4</b> |
|   |         |               | 32                                 | 11                            | 7,5        | <b>H226 - 41 ... - 486M4</b> |
|   |         |               | 40                                 | 15                            | 11         | <b>H233 - 41 ... - 486M4</b> |
|   |         |               | 63                                 | 22                            | 18,5       | <b>H263 - 41 ... - 486M4</b> |
|   |         | H200-B        |                                    |                               |            |                              |

## SMD modules for basic switch A02

Mounting form module for 486M.

H200-A  
H200-B

**BFA2 - 486**  
**BFB2 - 486**

M-padlock device 67 x 67 mm, mounting form 486M1  
Escutcheon black, padlockable handle black

H200-A/-B

**2CM1**

M-padlock device 67 x 67 mm, mounting form 486M4  
Escutcheon yellow, padlockable handle red

**2CM4**

Additional top escutcheon plate

**FAZ2 - 8041**

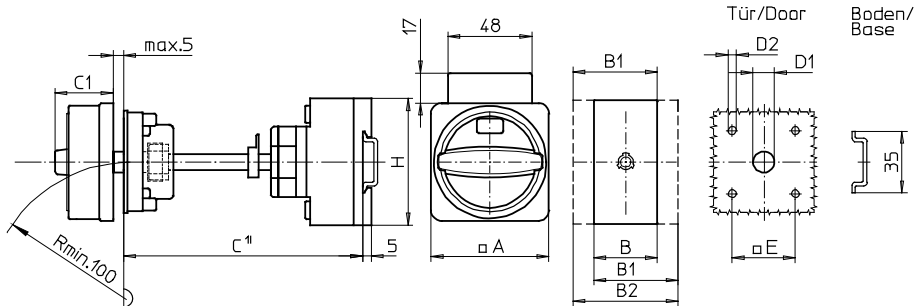
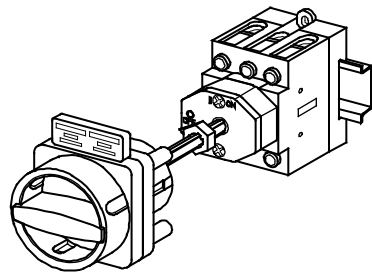
## Dimensions (mm)

| Product lines | A  | B  | B1 | B2 | C   | C1 | D1 | D2  | E  | H  |
|---------------|----|----|----|----|-----|----|----|-----|----|----|
| H200-A        | 67 | 36 | 48 | 60 | 100 | 38 | 15 | 4,5 | 36 | 70 |
| H200-B        | 67 | 50 | 69 | 88 | 100 | 38 | 15 | 4,5 | 36 | 72 |

C<sup>1</sup>) Internal depth, inside of door to top of DIN rail.

# Base Mounting Switches

# sälzer



**Product lines**  
**H200-A/-B**

**Base mounting switch**

**Door interlock**

Metal shaft extension with fixed metal shaft, C = 100 mm

**Four hole mounting**

36 x 36 mm front

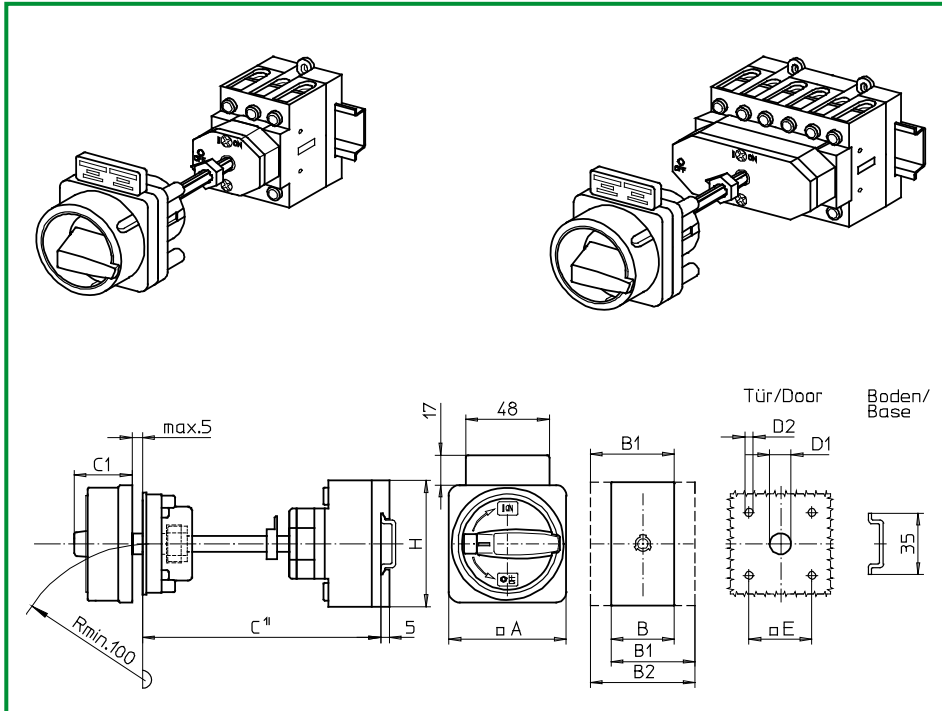
**486N1** (IP66)

**486N4** (IP66)

| Complete switch  | Poles    | Product lines | Rated data (IEC 60947)             |                               |            | Order code number                      |           |           |          |          |
|--|----------|---------------|------------------------------------|-------------------------------|------------|--|-----------|-----------|----------|----------|
|  |          |               | Operational current I <sub>e</sub> | Operational power at 380–440V |            |  |           |           |          |          |
|  |          |               | AC-21A<br>A                        | AC-23A<br>kW                  | AC-3<br>kW |  |           |           |          |          |
| Main Switches<br>OFF position padlockable 12h  | 3 ... 4  | H200-A        | 20                                 | 5,5                           | 3,7        | <b>H216 - 41 ... - 486N1</b>           |           |           |          |          |
|  |          |               | 25                                 | 7,5                           | 5,5        | <b>H220 - 41 ... - 486N1</b>           |           |           |          |          |
|  |          |               | 32                                 | 11                            | 7,5        | <b>H226 - 41 ... - 486N1</b>           |           |           |          |          |
|  |          |               | 40                                 | 15                            | 11         | <b>H233 - 41 ... - 486N1</b>           |           |           |          |          |
|  |          |               | 63                                 | 22                            | 18,5       | <b>H263 - 41 ... - 486N1</b>           |           |           |          |          |
| Main/Emergency-Off Switches<br>OFF position padlockable 12h                                    | 3 ... 4  | H200-A        | 20                                 | 5,5                           | 3,7        | <b>H216 - 41 ... - 486N4</b>           |           |           |          |          |
|  |          |               | 25                                 | 7,5                           | 5,5        | <b>H220 - 41 ... - 486N4</b>           |           |           |          |          |
|  |          |               | 32                                 | 11                            | 7,5        | <b>H226 - 41 ... - 486N4</b>           |           |           |          |          |
|  |          |               | 40                                 | 15                            | 11         | <b>H233 - 41 ... - 486N4</b>           |           |           |          |          |
|  |          |               | 63                                 | 22                            | 18,5       | <b>H263 - 41 ... - 486N4</b>           |           |           |          |          |
| <b>SMD modules for basic switch A02</b>  |          |               |                                    |                               |            |  |           |           |          |          |
| Mounting form module for 486N.   |          |               | H200-A<br>H200-B                   |                               |            | <b>BFA2 - 486</b><br><b>BFB2 - 486</b> |           |           |          |          |
| N-padlock device 67 x 67 mm, mounting form 486N1<br>Escutcheon black, padlockable handle black |          |               | H200-A/-B                          |                               |            | <b>2CN1</b>                            |           |           |          |          |
| N-padlock device 67 x 67 mm, mounting form 486N4<br>Escutcheon yellow, padlockable handle red  |          |               |                                    |                               |            | <b>2CN4</b>                            |           |           |          |          |
| Additional top escutcheon plate  |          |               |                                    |                               |            | <b>FAZ2 - 8041</b>                     |           |           |          |          |
| <b>Dimensions (mm)</b>   |          |               |                                    |                               |            |  |           |           |          |          |
| <b>Product lines</b>   | <b>A</b> | <b>B</b>      | <b>B1</b>                          | <b>B2</b>                     | <b>C</b>   | <b>C1</b>                              | <b>D1</b> | <b>D2</b> | <b>E</b> | <b>H</b> |
| H200-A   | 67       | 36            | 48                                 | 60                            | 100        | 33                                     | 15        | 4,5       | 36       | 70       |
| H200-B   | 67       | 50            | 69                                 | 88                            | 100        | 33                                     | 15        | 4,5       | 36       | 72       |
| <b>C<sup>1)</sup> Internal depth, inside of door to top of DIN rail.</b>                       |          |               |                                    |                               |            |  |           |           |          |          |

# Base Mounting Switches

# sälzer



**Product lines**  
H200-A/-B/-D

**Base mounting switch**

**Door interlock**

Metal shaft extension with fixed metal shaft, C = 105 mm

**Four hole mounting**

36 x 36 mm front

**487M1** (IP66)

**487M4** (IP66)

| Complete switch   | Poles   | Product lines | Rated data (IEC 60947)             |                               |            | Order code number            |
|---|---------|---------------|------------------------------------|-------------------------------|------------|------------------------------|
|   |         |               | Operational current I <sub>e</sub> | Operational power at 380–440V |            |                              |
|   |         |               | AC-21A<br>A                        | AC-23A<br>kW                  | AC-3<br>kW |                              |
| Main Switches<br>OFF position padlockable 09h               | 3 ... 8 | H200-A/-D     | 20                                 | 5,5                           | 3,7        | <b>H216 - 41 ... - 487M1</b> |
|   |         |               | 25                                 | 7,5                           | 5,5        | <b>H220 - 41 ... - 487M1</b> |
|   |         |               | 32                                 | 11                            | 7,5        | <b>H226 - 41 ... - 487M1</b> |
|   |         |               | 40                                 | 15                            | 11         | <b>H233 - 41 ... - 487M1</b> |
|   |         |               | 63                                 | 22                            | 18,5       | <b>H263 - 41 ... - 487M1</b> |
| Main/Emergency-Off Switches<br>OFF position padlockable 09h | 3 ... 8 | H200-A/-D     | 20                                 | 5,5                           | 3,7        | <b>H216 - 41 ... - 487M4</b> |
|   |         |               | 25                                 | 7,5                           | 5,5        | <b>H220 - 41 ... - 487M4</b> |
|   |         |               | 32                                 | 11                            | 7,5        | <b>H226 - 41 ... - 487M4</b> |
|   |         |               | 40                                 | 15                            | 11         | <b>H233 - 41 ... - 487M4</b> |
|   |         |               | 63                                 | 22                            | 18,5       | <b>H263 - 41 ... - 487M4</b> |
|   | 3 ... 4 | H200-B        |                                    |                               |            |                              |

## SMD modules for basic switch A02

Mounting form module for 487M.

H200-A  
H200-B  
H200-D

**BFA2 - 487**  
**BFB2 - 487**  
**BFC2 - 487**

M-padlock device 67 x 67 mm, mounting form 487M1  
Escutcheon black, padlockable handle black

H200-A/-B/-D

**2CM1**

M-padlock device 67 x 67 mm, mounting form 487M4  
Escutcheon yellow, padlockable handle red

**2CM4**

Additional top escutcheon plate

**FAZZ - 8041**

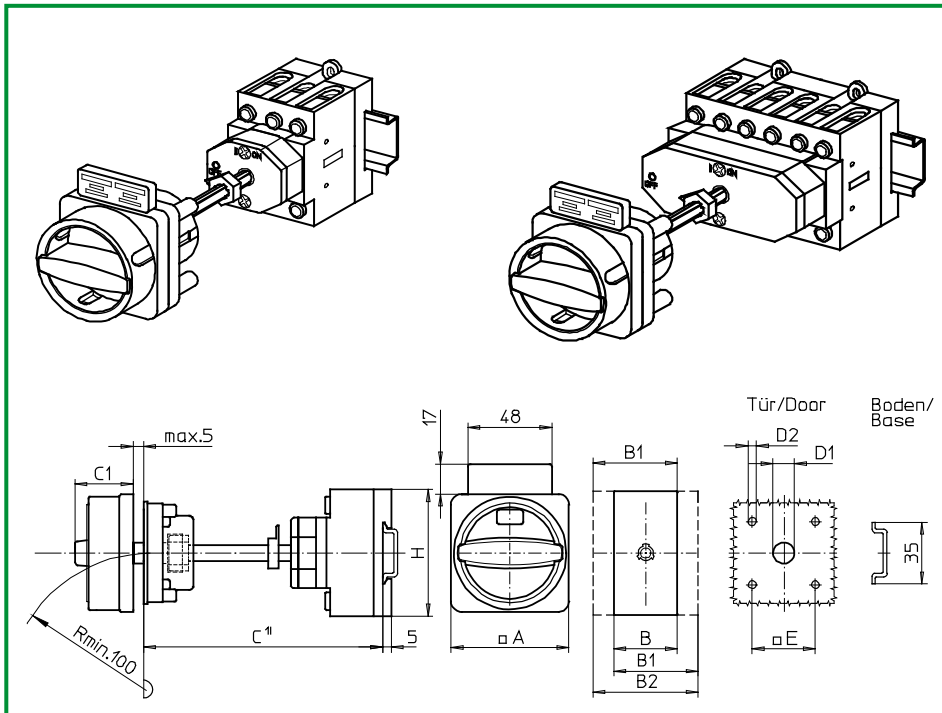
## Dimensions (mm)

| Product lines | A  | B  | B1 | B2 | C   | C1 | D1 | D2  | E  | H  |
|---------------|----|----|----|----|-----|----|----|-----|----|----|
| H200-A        | 67 | 36 | 48 | 60 | 105 | 38 | 15 | 4,5 | 36 | 70 |
| H200-B        | 67 | 50 | 69 | 88 | 105 | 38 | 15 | 4,5 | 36 | 72 |
| H200-D        | 67 | 72 | 84 | 96 | 105 | 38 | 15 | 4,5 | 36 | 70 |

C<sup>1</sup>) Internal depth, inside of door to top of DIN rail.

# Base Mounting Switches

# sälzer



**Product lines**  
H200-A/-B/-D

**Base mounting switch**

**Door interlock**

Metal shaft extension with fixed metal shaft, C = 105 mm

**Four hole mounting**

36 x 36 mm front

**487N1** (IP66)

**487N4** (IP66)

| Complete switch   | Poles   | Product lines | Rated data (IEC 60947)   |                               |                    | Order code number            |
|---|---------|---------------|--|-------------------------------|--------------------|------------------------------|
|   |         |               | Operational current I <sub>e</sub>   | Operational power at 380–440V |                    |                              |
|   |         |               | AC-21A<br>A  | AC-23A<br>kW                  | AC-3<br>kW         |                              |
| Main Switches<br>OFF position padlockable 12h   | 3 ... 8 | H200-A/-D     | 20   | 5,5                           | 3,7                | <b>H216 - 41 ... - 487N1</b> |
|   |         |               | 25   | 7,5                           | 5,5                | <b>H220 - 41 ... - 487N1</b> |
|   |         |               | 32   | 11                            | 7,5                | <b>H226 - 41 ... - 487N1</b> |
|   |         |               | 40   | 15                            | 11                 | <b>H233 - 41 ... - 487N1</b> |
|   |         |               | 63   | 22                            | 18,5               | <b>H263 - 41 ... - 487N1</b> |
| Main/Emergency-Off Switches<br>OFF position padlockable 12h                                   | 3 ... 8 | H200-A/-D     | 20   | 5,5                           | 3,7                | <b>H216 - 41 ... - 487N4</b> |
|   |         |               | 25   | 7,5                           | 5,5                | <b>H220 - 41 ... - 487N4</b> |
|   |         |               | 32   | 11                            | 7,5                | <b>H226 - 41 ... - 487N4</b> |
|   |         |               | 40   | 15                            | 11                 | <b>H233 - 41 ... - 487N4</b> |
|   |         |               | 63   | 22                            | 18,5               | <b>H263 - 41 ... - 487N4</b> |
| SMD modules for basic switch A02  |         |               | H200-A   |                               |                    | <b>BFA2 - 487</b>            |
|   |         |               | H200-B   |                               |                    | <b>BFB2 - 487</b>            |
|   |         |               | H200-D   |                               |                    | <b>BFC2 - 487</b>            |
|   |         |               | H200-A/-B/-D   |                               |                    | <b>2CN1</b>                  |
|   |         |               | N-padlock device 67 x 67 mm, mounting form 487N1<br>Escutcheon black, padlockable handle black |                               |                    |                              |
| N-padlock device 67 x 67 mm, mounting form 487N4<br>Escutcheon yellow, padlockable handle red |         |               |  |                               | <b>2CN4</b>        |                              |
| Additional top escutcheon plate   |         |               |  |                               | <b>FAZZ - 8041</b> |                              |

## Dimensions (mm)

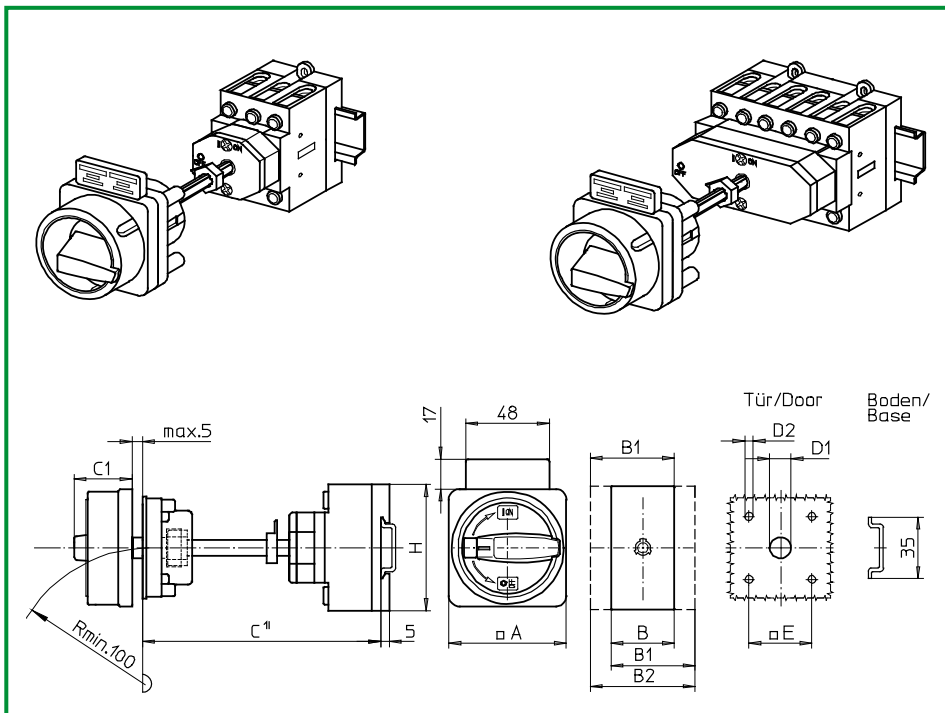
| Product lines | A  | B  | B1 | B2 | C   | C1 | D1 | D2  | E  | H  |
|---------------|----|----|----|----|-----|----|----|-----|----|----|
| H200-A        | 67 | 36 | 48 | 60 | 105 | 33 | 15 | 4,5 | 36 | 70 |
| H200-B        | 67 | 50 | 69 | 88 | 105 | 33 | 15 | 4,5 | 36 | 72 |
| H200-D        | 67 | 72 | 84 | 96 | 105 | 33 | 15 | 4,5 | 36 | 70 |

C<sup>1</sup>) Internal depth, inside of door to top of DIN rail.



# Base Mounting Switches

# sälzer



**Product lines**  
H200-A/-B/-D

**Base mounting switch**

**Door interlock**  
Metal shaft extension with fixed metal shaft, C = 110 mm

**Four hole mounting**  
36 x 36 mm front

**488M1** (IP66)

**488M4** (IP66)

| Complete switch   | Poles   | Product lines | Rated data (IEC 60947)   |                               |                    | Order code number            |
|---|---------|---------------|--|-------------------------------|--------------------|------------------------------|
|   |         |               | Operational current I <sub>e</sub>   | Operational power at 380–440V |                    |                              |
|   |         |               | AC-21A<br>A  | AC-23A<br>kW                  | AC-3<br>kW         |                              |
| Main Switches<br>OFF position padlockable 09h   | 3 ... 8 | H200-A/-D     | 20   | 5,5                           | 3,7                | <b>H216 - 41 ... - 488M1</b> |
|   |         |               | 25   | 7,5                           | 5,5                | <b>H220 - 41 ... - 488M1</b> |
|   |         |               | 32   | 11                            | 7,5                | <b>H226 - 41 ... - 488M1</b> |
|   |         |               | 40   | 15                            | 11                 | <b>H233 - 41 ... - 488M1</b> |
|   |         |               | 63   | 22                            | 18,5               | <b>H263 - 41 ... - 488M1</b> |
| Main/Emergency-Off Switches<br>OFF position padlockable 09h                                   | 3 ... 8 | H200-A/-D     | 20   | 5,5                           | 3,7                | <b>H216 - 41 ... - 488M4</b> |
|   |         |               | 25   | 7,5                           | 5,5                | <b>H220 - 41 ... - 488M4</b> |
|   |         |               | 32   | 11                            | 7,5                | <b>H226 - 41 ... - 488M4</b> |
|   |         |               | 40   | 15                            | 11                 | <b>H233 - 41 ... - 488M4</b> |
|   |         |               | 63   | 22                            | 18,5               | <b>H263 - 41 ... - 488M4</b> |
| SMD modules for basic switch A02  |         |               | H200-A   |                               |                    | <b>BFA2 - 488</b>            |
|   |         |               | H200-B   |                               |                    | <b>BFB2 - 488</b>            |
|   |         |               | H200-D   |                               |                    | <b>BFC2 - 488</b>            |
|   |         |               | H200-A/-B/-D   |                               |                    | <b>2CM1</b>                  |
|   |         |               | M-padlock device 67 x 67 mm, mounting form 488M1<br>Escutcheon black, padlockable handle black |                               |                    |                              |
| M-padlock device 67 x 67 mm, mounting form 488M4<br>Escutcheon yellow, padlockable handle red |         |               |  |                               | <b>2CM4</b>        |                              |
| Additional top escutcheon plate   |         |               |  |                               | <b>FAZZ - 8041</b> |                              |

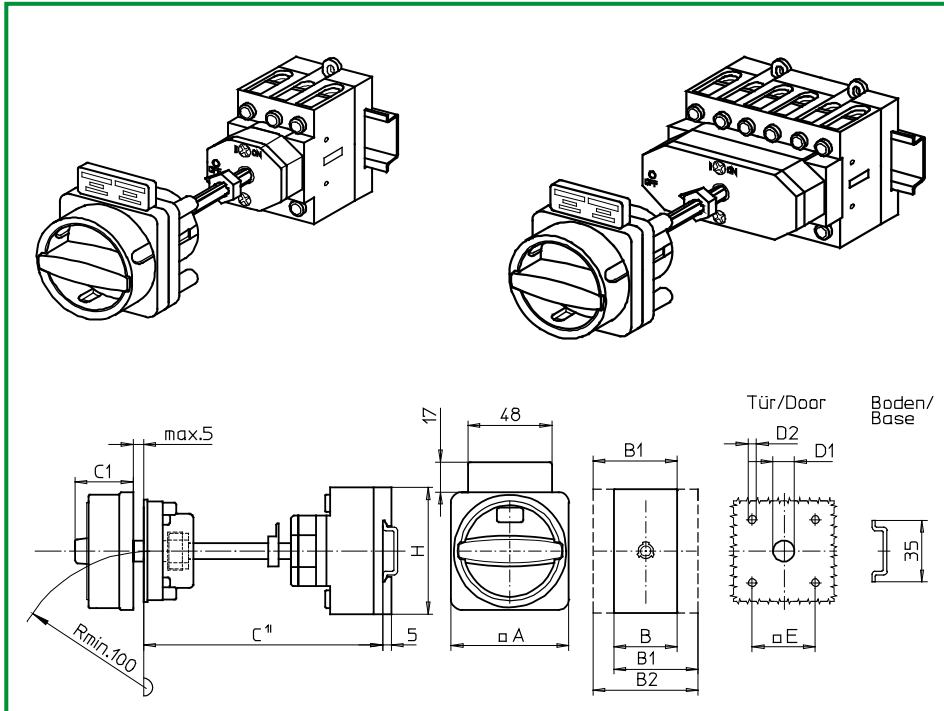
## Dimensions (mm)

| Product lines | A  | B  | B1 | B2 | C   | C1 | D1 | D2  | E  | H  |
|---------------|----|----|----|----|-----|----|----|-----|----|----|
| H200-A        | 67 | 36 | 48 | 60 | 110 | 38 | 15 | 4,5 | 36 | 70 |
| H200-B        | 67 | 50 | 69 | 88 | 110 | 38 | 15 | 4,5 | 36 | 72 |
| H200-D        | 67 | 72 | 84 | 96 | 110 | 38 | 15 | 4,5 | 36 | 70 |

C<sup>1</sup>) Internal depth, inside of door to top of DIN rail.

# Base Mounting Switches

# sälzer



**Product lines**  
H200-A/-B/-D

**Base mounting switch**

**Door interlock**

Metal shaft extension with fixed metal shaft, C = 110 mm

**Four hole mounting**

36 x 36 mm front

**488N1** (IP66)

**488N4** (IP66)

| Complete switch   | Poles   | Product lines | Rated data (IEC 60947)             |                               |            | Order code number            |
|---|---------|---------------|------------------------------------|-------------------------------|------------|------------------------------|
|   |         |               | Operational current I <sub>e</sub> | Operational power at 380–440V |            |                              |
|   |         |               | AC-21A<br>A                        | AC-23A<br>kW                  | AC-3<br>kW |                              |
| Main Switches<br>OFF position padlockable 12h               | 3 ... 8 | H200-A/-D     | 20                                 | 5,5                           | 3,7        | <b>H216 - 41 ... - 488N1</b> |
|   |         |               | 25                                 | 7,5                           | 5,5        | <b>H220 - 41 ... - 488N1</b> |
|   |         |               | 32                                 | 11                            | 7,5        | <b>H226 - 41 ... - 488N1</b> |
|   |         |               | 40                                 | 15                            | 11         | <b>H233 - 41 ... - 488N1</b> |
|   |         |               | 63                                 | 22                            | 18,5       | <b>H263 - 41 ... - 488N1</b> |
| Main/Emergency-Off Switches<br>OFF position padlockable 12h | 3 ... 8 | H200-A/-D     | 20                                 | 5,5                           | 3,7        | <b>H216 - 41 ... - 488N4</b> |
|   |         |               | 25                                 | 7,5                           | 5,5        | <b>H220 - 41 ... - 488N4</b> |
|   |         |               | 32                                 | 11                            | 7,5        | <b>H226 - 41 ... - 488N4</b> |
|   |         |               | 40                                 | 15                            | 11         | <b>H233 - 41 ... - 488N4</b> |
|   |         |               | 63                                 | 22                            | 18,5       | <b>H263 - 41 ... - 488N4</b> |
|   | 3 ... 4 | H200-B        |                                    |                               |            |                              |

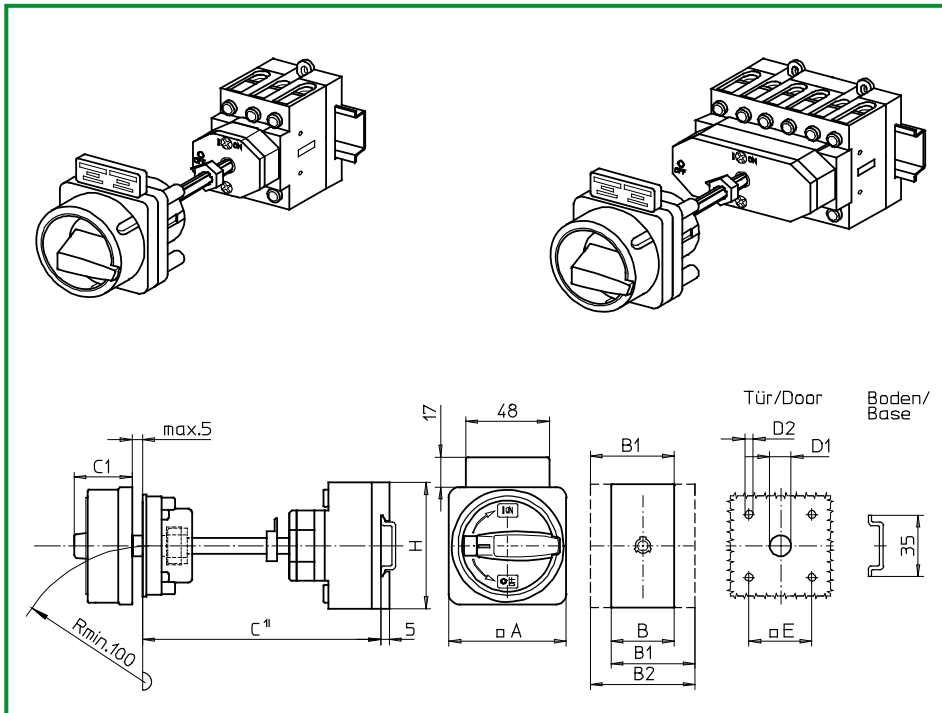
| SMD modules for basic switch A02   |                            |   |
|--|----------------------------|---|
| Mounting form module for 488N.   | H200-A<br>H200-B<br>H200-D | <b>BFA2 - 488</b><br><b>BFB2 - 488</b><br><b>BFC2 - 488</b> |
| N-padlock device 67 x 67 mm, mounting form 488N1<br>Escutcheon black, padlockable handle black | H200-A/-B/-D               | <b>2CN1</b>   |
| N-padlock device 67 x 67 mm, mounting form 488N4<br>Escutcheon yellow, padlockable handle red  |                            | <b>2CN4</b>   |
| Additional top escutcheon plate  |                            | <b>FAZZ - 8041</b>  |

| Dimensions (mm) |    |    |    |    |     |    |    |     |    |    |
|-----------------|----|----|----|----|-----|----|----|-----|----|----|
| Product lines   | A  | B  | B1 | B2 | C   | C1 | D1 | D2  | E  | H  |
| H200-A          | 67 | 36 | 48 | 60 | 110 | 33 | 15 | 4,5 | 36 | 70 |
| H200-B          | 67 | 50 | 69 | 88 | 110 | 33 | 15 | 4,5 | 36 | 72 |
| H200-D          | 67 | 72 | 84 | 96 | 110 | 33 | 15 | 4,5 | 36 | 70 |

**C<sup>1</sup>) Internal depth, inside of door to top of DIN rail.**

# Base Mounting Switches

# sälzer



**Product lines**  
H200-A/-B/-D

**Base mounting switch**

**Door interlock**

Metal shaft extension with fixed metal shaft, C = 115 mm

**Four hole mounting**

36 x 36 mm front

**489M1** (IP66)

**489M4** (IP66)

| Complete switch   | Poles   | Product lines | Rated data (IEC 60947)             |                               |            | Order code number            |
|---|---------|---------------|------------------------------------|-------------------------------|------------|------------------------------|
|   |         |               | Operational current I <sub>e</sub> | Operational power at 380–440V |            |                              |
|   |         |               | AC-21A<br>A                        | AC-23A<br>kW                  | AC-3<br>kW |                              |
| Main Switches<br>OFF position padlockable 09h               | 3 ... 8 | H200-A/-D     | 20                                 | 5,5                           | 3,7        | <b>H216 - 41 ... - 489M1</b> |
|   |         |               | 25                                 | 7,5                           | 5,5        | <b>H220 - 41 ... - 489M1</b> |
|   |         |               | 32                                 | 11                            | 7,5        | <b>H226 - 41 ... - 489M1</b> |
|   |         |               | 40                                 | 15                            | 11         | <b>H233 - 41 ... - 489M1</b> |
|   |         |               | 63                                 | 18,5                          | 15         | <b>H263 - 41 ... - 489M1</b> |
| Main/Emergency-Off Switches<br>OFF position padlockable 09h | 3 ... 8 | H200-A/-D     | 20                                 | 5,5                           | 3,7        | <b>H216 - 41 ... - 489M4</b> |
|   |         |               | 25                                 | 7,5                           | 5,5        | <b>H220 - 41 ... - 489M4</b> |
|   |         |               | 32                                 | 11                            | 7,5        | <b>H226 - 41 ... - 489M4</b> |
|   |         |               | 40                                 | 15                            | 11         | <b>H233 - 41 ... - 489M4</b> |
|   |         |               | 63                                 | 22                            | 18,5       | <b>H263 - 41 ... - 489M4</b> |
|   | 3 ... 4 | H200-B        |                                    |                               |            |                              |

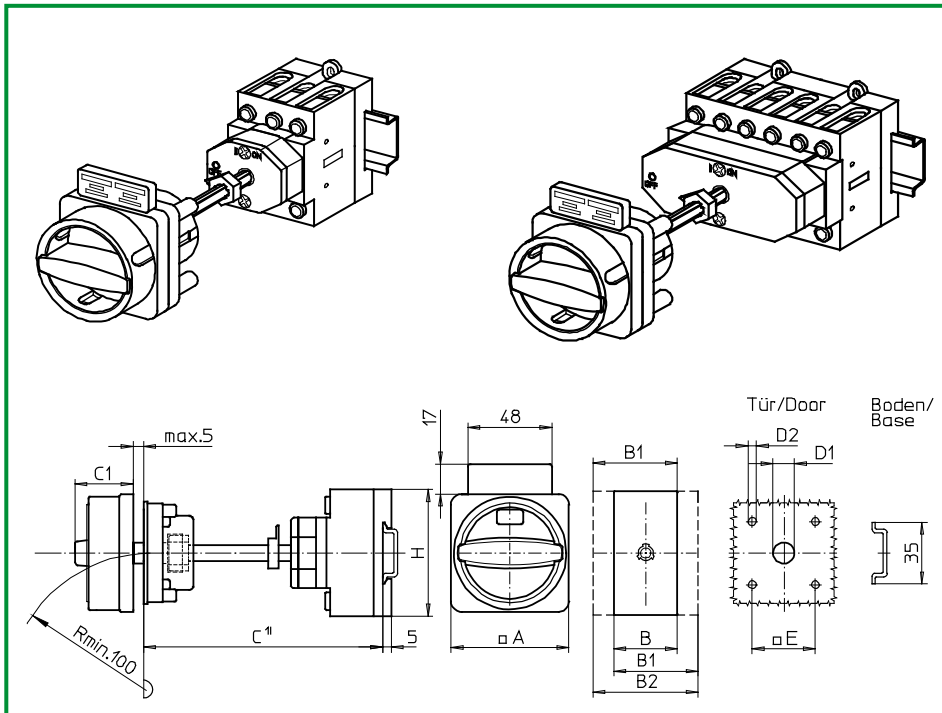
| SMD modules for basic switch A02   |                            |   |
|--|----------------------------|---|
| Mounting form module for 489M.   | H200-A<br>H200-B<br>H200-D | <b>BFA2 - 489</b><br><b>BFB2 - 489</b><br><b>BFC2 - 489</b> |
| M-padlock device 67 x 67 mm, mounting form 489M1<br>Escutcheon black, padlockable handle black | H200-A/-B/-D               | <b>2CM1</b>   |
| M-padlock device 67 x 67 mm, mounting form 489M4<br>Escutcheon yellow, padlockable handle red  |                            | <b>2CM4</b>   |
| Additional top escutcheon plate  |                            | <b>FAZZ - 8041</b>  |

| Dimensions (mm) |    |    |    |    |     |    |    |     |    |    |
|-----------------|----|----|----|----|-----|----|----|-----|----|----|
| Product lines   | A  | B  | B1 | B2 | C   | C1 | D1 | D2  | E  | H  |
| H200-A          | 67 | 36 | 48 | 60 | 115 | 38 | 15 | 4,5 | 36 | 70 |
| H200-B          | 67 | 50 | 69 | 88 | 115 | 38 | 15 | 4,5 | 36 | 72 |
| H200-D          | 67 | 72 | 84 | 96 | 115 | 38 | 15 | 4,5 | 36 | 70 |

**C<sup>1</sup>) Internal depth, inside of door to top of DIN rail.**

# Base Mounting Switches

# sälzer



**Product lines**  
H200-A/-B/-D

**Base mounting switch**

**Door interlock**

Metal shaft extension with fixed metal shaft, C = 115 mm

**Four hole mounting**

36 x 36 mm front

**489N1** (IP66)

**489N4** (IP66)

| Complete switch   | Poles   | Product lines | Rated data (IEC 60947)             |                               |            | Order code number            |
|---|---------|---------------|------------------------------------|-------------------------------|------------|------------------------------|
|   |         |               | Operational current I <sub>e</sub> | Operational power at 380–440V |            |                              |
|   |         |               | AC-21A<br>A                        | AC-23A<br>kW                  | AC-3<br>kW |                              |
| Main Switches<br>OFF position padlockable 12h               | 3 ... 8 | H200-A/-D     | 20                                 | 5,5                           | 3,7        | <b>H216 - 41 ... - 489N1</b> |
|   |         |               | 25                                 | 7,5                           | 5,5        | <b>H220 - 41 ... - 489N1</b> |
|   |         |               | 32                                 | 11                            | 7,5        | <b>H226 - 41 ... - 489N1</b> |
|   |         |               | 40                                 | 15                            | 11         | <b>H233 - 41 ... - 489N1</b> |
|   |         |               | 63                                 | 22                            | 18,5       | <b>H263 - 41 ... - 489N1</b> |
| Main/Emergency-Off Switches<br>OFF position padlockable 12h | 3 ... 8 | H200-A/-D     | 20                                 | 5,5                           | 3,7        | <b>H216 - 41 ... - 489N4</b> |
|   |         |               | 25                                 | 7,5                           | 5,5        | <b>H220 - 41 ... - 489N4</b> |
|   |         |               | 32                                 | 11                            | 7,5        | <b>H226 - 41 ... - 489N4</b> |
|   |         |               | 40                                 | 15                            | 11         | <b>H233 - 41 ... - 489N4</b> |
|   |         |               | 63                                 | 22                            | 18,5       | <b>H263 - 41 ... - 489N4</b> |
|   | 3 ... 4 | H200-B        |                                    |                               |            |                              |

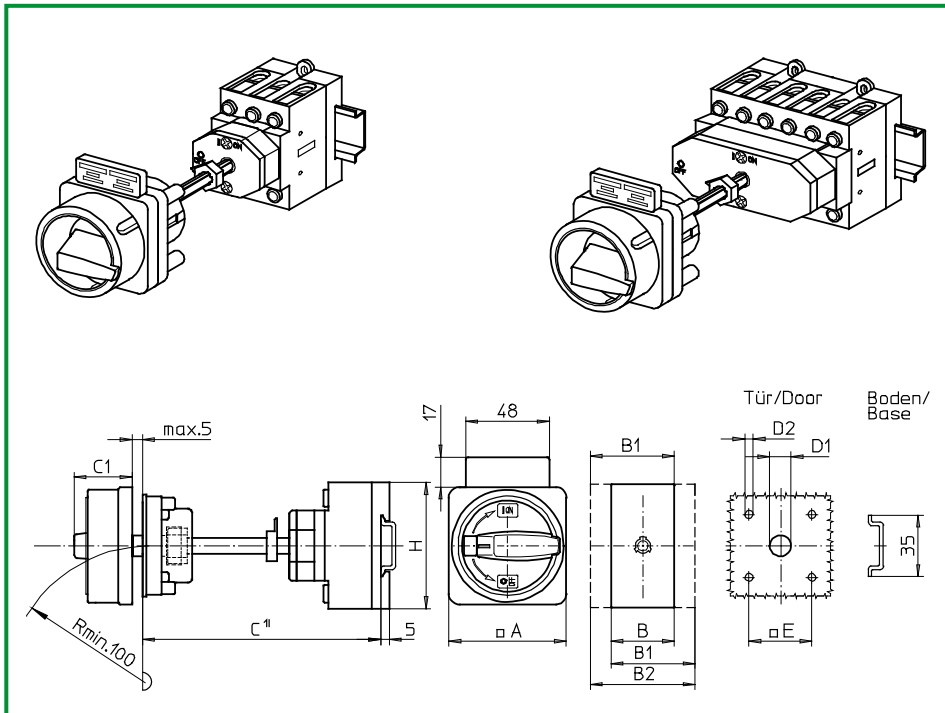
| SMD modules for basic switch A02   |  |                            |   |
|--|--|----------------------------|---|
| Mounting form module for 489N.   |  | H200-A<br>H200-B<br>H200-D | <b>BFA2 - 489</b><br><b>BFB2 - 489</b><br><b>BFC2 - 489</b> |
| N-padlock device 67 x 67 mm, mounting form 489N1<br>Escutcheon black, padlockable handle black |  | H200-A/-B/-D               | <b>2CN1</b>   |
| N-padlock device 67 x 67 mm, mounting form 489N4<br>Escutcheon yellow, padlockable handle red  |  |                            | <b>2CN4</b>   |
| Additional top escutcheon plate  |  |                            | <b>FAZZ - 8041</b>  |

| Dimensions (mm) |    |    |    |    |     |    |    |     |    |    |
|-----------------|----|----|----|----|-----|----|----|-----|----|----|
| Product lines   | A  | B  | B1 | B2 | C   | C1 | D1 | D2  | E  | H  |
| H200-A          | 67 | 36 | 48 | 60 | 115 | 33 | 15 | 4,5 | 36 | 70 |
| H200-B          | 67 | 50 | 69 | 88 | 115 | 33 | 15 | 4,5 | 36 | 72 |
| H200-D          | 67 | 72 | 84 | 96 | 115 | 33 | 15 | 4,5 | 36 | 70 |

**C<sup>1</sup>) Internal depth, inside of door to top of DIN rail.**

# Base Mounting Switches

# sälzer



**Product lines**  
H200-A/-B/-D

**Base mounting switch**

**Door interlock**  
Metal shaft extension with fixed metal shaft, C = 120 mm

**Four hole mounting**  
36 x 36 mm front

**490M1** (IP66)

**490M4** (IP66)

| Complete switch   | Poles   | Product lines | Rated data (IEC 60947)   |                               |                    | Order code number            |
|---|---------|---------------|--|-------------------------------|--------------------|------------------------------|
|   |         |               | Operational current I <sub>e</sub>   | Operational power at 380–440V |                    |                              |
|   |         |               | AC-21A<br>A  | AC-23A<br>kW                  | AC-3<br>kW         |                              |
| Main Switches<br>OFF position padlockable 09h   | 3 ... 8 | H200-A/-D     | 20   | 5,5                           | 3,7                | <b>H216 - 41 ... - 490M1</b> |
|   |         |               | 25   | 7,5                           | 5,5                | <b>H220 - 41 ... - 490M1</b> |
|   |         |               | 32   | 11                            | 7,5                | <b>H226 - 41 ... - 490M1</b> |
|   |         |               | 40   | 15                            | 11                 | <b>H233 - 41 ... - 490M1</b> |
|   |         |               | 63   | 22                            | 18,5               | <b>H263 - 41 ... - 490M1</b> |
| Main/Emergency-Off Switches<br>OFF position padlockable 09h                                   | 3 ... 8 | H200-A/-D     | 20   | 5,5                           | 3,7                | <b>H216 - 41 ... - 490M4</b> |
|   |         |               | 25   | 7,5                           | 5,5                | <b>H220 - 41 ... - 490M4</b> |
|   |         |               | 32   | 11                            | 7,5                | <b>H226 - 41 ... - 490M4</b> |
|   |         |               | 40   | 15                            | 11                 | <b>H233 - 41 ... - 490M4</b> |
|   |         |               | 63   | 22                            | 18,5               | <b>H263 - 41 ... - 490M4</b> |
| SMD modules for basic switch A02  |         |               | H200-A   |                               |                    | <b>BFA2 - 490</b>            |
|   |         |               | H200-B   |                               |                    | <b>BFB2 - 490</b>            |
|   |         |               | H200-D   |                               |                    | <b>BFC2 - 490</b>            |
|   |         |               | H200-A/-B/-D   |                               |                    | <b>2CM1</b>                  |
|   |         |               | M-padlock device 67 x 67 mm, mounting form 490M1<br>Escutcheon black, padlockable handle black |                               |                    |                              |
| M-padlock device 67 x 67 mm, mounting form 490M4<br>Escutcheon yellow, padlockable handle red |         |               |  |                               | <b>FAZZ - 8041</b> |                              |
| Additional top escutcheon plate   |         |               |  |                               |                    |                              |

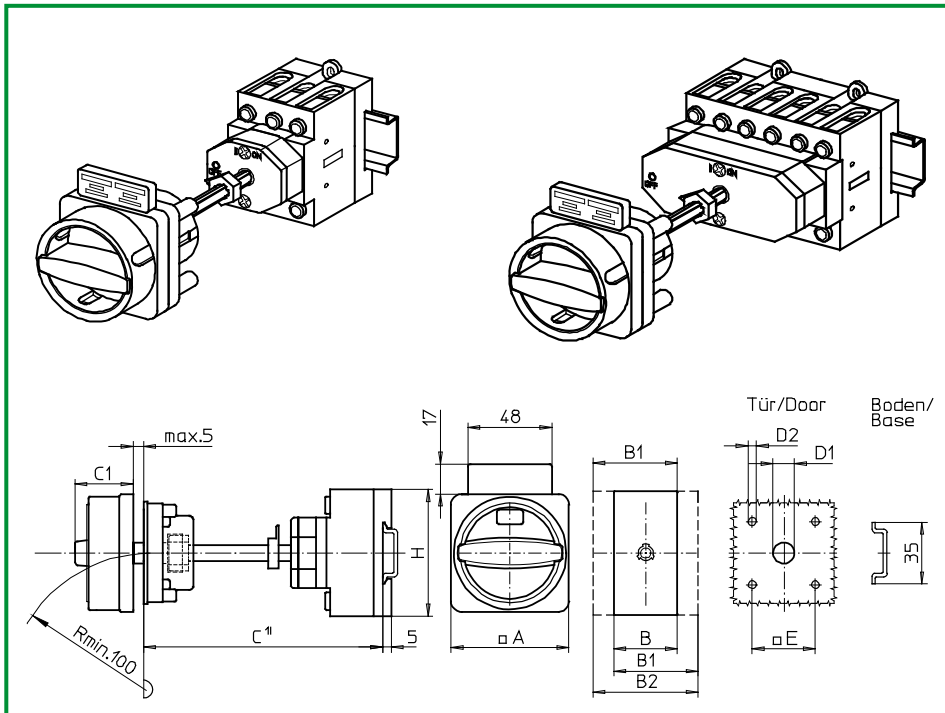
## Dimensions (mm)

| Product lines | A  | B  | B1 | B2 | C   | C1 | D1 | D2  | E  | H  |
|---------------|----|----|----|----|-----|----|----|-----|----|----|
| H200-A        | 67 | 36 | 48 | 60 | 120 | 38 | 15 | 4,5 | 36 | 70 |
| H200-B        | 67 | 50 | 69 | 88 | 120 | 38 | 15 | 4,5 | 36 | 72 |
| H200-D        | 67 | 72 | 84 | 96 | 120 | 38 | 15 | 4,5 | 36 | 70 |

C<sup>1</sup>) Internal depth, inside of door to top of DIN rail.

# Base Mounting Switches

# sälzer



**Product lines**  
H200-A/-B/-D

**Base mounting switch**

**Door interlock**

Metal shaft extension with fixed metal shaft, C = 120 mm

**Four hole mounting**

36 x 36 mm front

**490N1** (IP66)

**490N4** (IP66)

| Complete switch   | Poles   | Product lines | Rated data (IEC 60947)             |                               |            | Order code number            |
|---|---------|---------------|------------------------------------|-------------------------------|------------|------------------------------|
|   |         |               | Operational current I <sub>e</sub> | Operational power at 380–440V |            |                              |
|   |         |               | AC-21A<br>A                        | AC-23A<br>kW                  | AC-3<br>kW |                              |
| Main Switches<br>OFF position padlockable 12h               | 3 ... 8 | H200-A/-D     | 20                                 | 5,5                           | 3,7        | <b>H216 - 41 ... - 490N1</b> |
|   |         |               | 25                                 | 7,5                           | 5,5        | <b>H220 - 41 ... - 490N1</b> |
|   |         |               | 32                                 | 11                            | 7,5        | <b>H226 - 41 ... - 490N1</b> |
|   |         |               | 40                                 | 15                            | 11         | <b>H233 - 41 ... - 490N1</b> |
|   |         |               | 63                                 | 22                            | 18,5       | <b>H263 - 41 ... - 490N1</b> |
| Main/Emergency-Off Switches<br>OFF position padlockable 12h | 3 ... 8 | H200-A/-D     | 20                                 | 5,5                           | 3,7        | <b>H216 - 41 ... - 490N4</b> |
|   |         |               | 25                                 | 7,5                           | 5,5        | <b>H220 - 41 ... - 490N4</b> |
|   |         |               | 32                                 | 11                            | 7,5        | <b>H226 - 41 ... - 490N4</b> |
|   |         |               | 40                                 | 15                            | 11         | <b>H233 - 41 ... - 490N4</b> |
|   |         |               | 63                                 | 22                            | 18,5       | <b>H263 - 41 ... - 490N4</b> |
|   | 3 ... 4 | H200-B        |                                    |                               |            |                              |

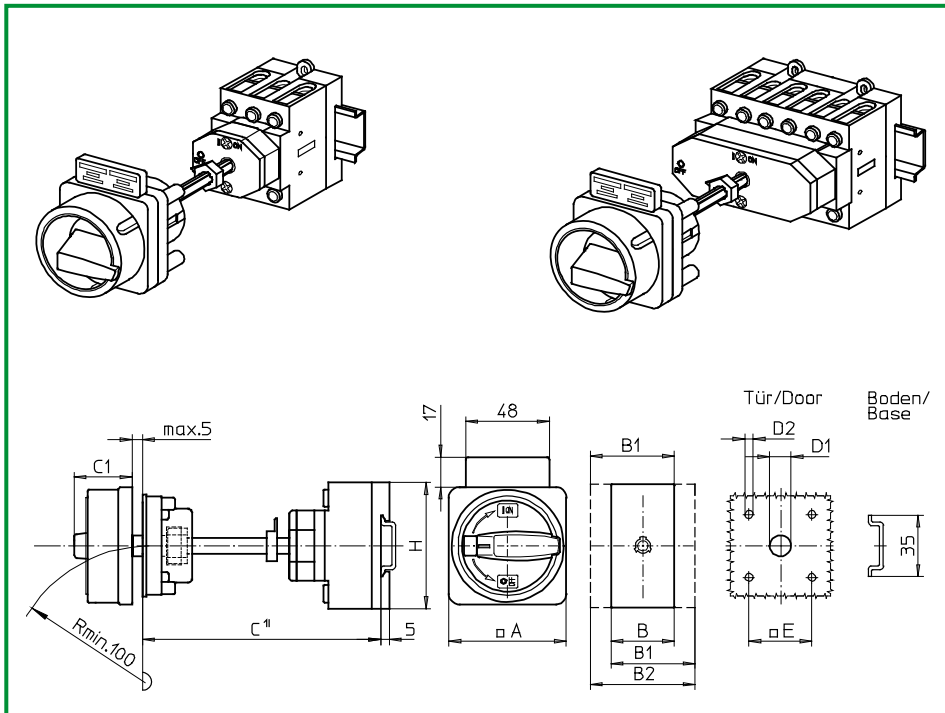
| SMD modules for basic switch A02   |                            |   |
|--|----------------------------|---|
| Mounting form module for 490N.   | H200-A<br>H200-B<br>H200-D | <b>BFA2 - 490</b><br><b>BFB2 - 490</b><br><b>BFC2 - 490</b> |
| N-padlock device 67 x 67 mm, mounting form 490N1<br>Escutcheon black, padlockable handle black | H200-A/-B/-D               | <b>2CN1</b>   |
| N-padlock device 67 x 67 mm, mounting form 490N4<br>Escutcheon yellow, padlockable handle red  |                            | <b>2CN4</b>   |
| Additional top escutcheon plate  |                            | <b>FAZ2 - 8041</b>  |

| Dimensions (mm) |    |    |    |    |     |    |    |     |    |    |
|-----------------|----|----|----|----|-----|----|----|-----|----|----|
| Product lines   | A  | B  | B1 | B2 | C   | C1 | D1 | D2  | E  | H  |
| H200-A          | 67 | 36 | 48 | 60 | 120 | 33 | 15 | 4,5 | 36 | 70 |
| H200-B          | 67 | 50 | 69 | 88 | 120 | 33 | 15 | 4,5 | 36 | 72 |
| H200-D          | 67 | 72 | 84 | 96 | 120 | 33 | 15 | 4,5 | 36 | 70 |

C<sup>1</sup>) Internal depth, inside of door to top of DIN rail.

# Base Mounting Switches

# sälzer



**Product lines**  
H200-A/-B/-D

**Base mounting switch**

**Door interlock**  
Metal shaft extension with fixed metal shaft, C = 125 mm

**Four hole mounting**  
36 x 36 mm front

**491M1** (IP66)

**491M4** (IP66)

| Complete switch   | Poles   | Product lines | Rated data (IEC 60947)   |                               |                    | Order code number            |
|---|---------|---------------|--|-------------------------------|--------------------|------------------------------|
|   |         |               | Operational current I <sub>e</sub>   | Operational power at 380–440V |                    |                              |
|   |         |               | AC-21A<br>A  | AC-23A<br>kW                  | AC-3<br>kW         |                              |
| Main Switches<br>OFF position padlockable 09h   | 3 ... 8 | H200-A/-D     | 20   | 5,5                           | 3,7                | <b>H216 - 41 ... - 491M1</b> |
|   |         |               | 25   | 7,5                           | 5,5                | <b>H220 - 41 ... - 491M1</b> |
|   |         |               | 32   | 11                            | 7,5                | <b>H226 - 41 ... - 491M1</b> |
|   |         |               | 40   | 15                            | 11                 | <b>H233 - 41 ... - 491M1</b> |
|   |         |               | 63   | 22                            | 18,5               | <b>H263 - 41 ... - 491M1</b> |
| Main/Emergency-Off Switches<br>OFF position padlockable 09h                                   | 3 ... 8 | H200-A/-D     | 20   | 5,5                           | 3,7                | <b>H216 - 41 ... - 491M4</b> |
|   |         |               | 25   | 7,5                           | 5,5                | <b>H220 - 41 ... - 491M4</b> |
|   |         |               | 32   | 11                            | 7,5                | <b>H226 - 41 ... - 491M4</b> |
|   |         |               | 40   | 15                            | 11                 | <b>H233 - 41 ... - 491M4</b> |
|   |         |               | 63   | 22                            | 18,5               | <b>H263 - 41 ... - 491M4</b> |
| SMD modules for basic switch A02  |         |               | H200-A   |                               |                    | <b>BFA2 - 491</b>            |
|   |         |               | H200-B   |                               |                    | <b>BFB2 - 491</b>            |
|   |         |               | H200-D   |                               |                    | <b>BFC2 - 491</b>            |
|   |         |               | H200-A/-B/-D   |                               |                    | <b>2CM1</b>                  |
|   |         |               | M-padlock device 67 x 67 mm, mounting form 491M1<br>Escutcheon black, padlockable handle black |                               |                    |                              |
| M-padlock device 67 x 67 mm, mounting form 491M4<br>Escutcheon yellow, padlockable handle red |         |               |  |                               | <b>FAZZ - 8041</b> |                              |
| Additional top escutcheon plate   |         |               |  |                               |                    |                              |

| Dimensions (mm) |    |    |    |    |     |    |    |     |    |    |
|-----------------|----|----|----|----|-----|----|----|-----|----|----|
| Product lines   | A  | B  | B1 | B2 | C   | C1 | D1 | D2  | E  | H  |
| H200-A          | 67 | 36 | 48 | 60 | 125 | 38 | 15 | 4,5 | 36 | 70 |
| H200-B          | 67 | 50 | 69 | 88 | 125 | 38 | 15 | 4,5 | 36 | 72 |
| H200-D          | 67 | 72 | 84 | 96 | 125 | 38 | 15 | 4,5 | 36 | 70 |

C<sup>1</sup>) Internal depth, inside of door to top of DIN rail.

# Base Mounting Switches

# sälzer

**Product lines**  
H200-A/-B/-D

**Base mounting switch**

**Door interlock**

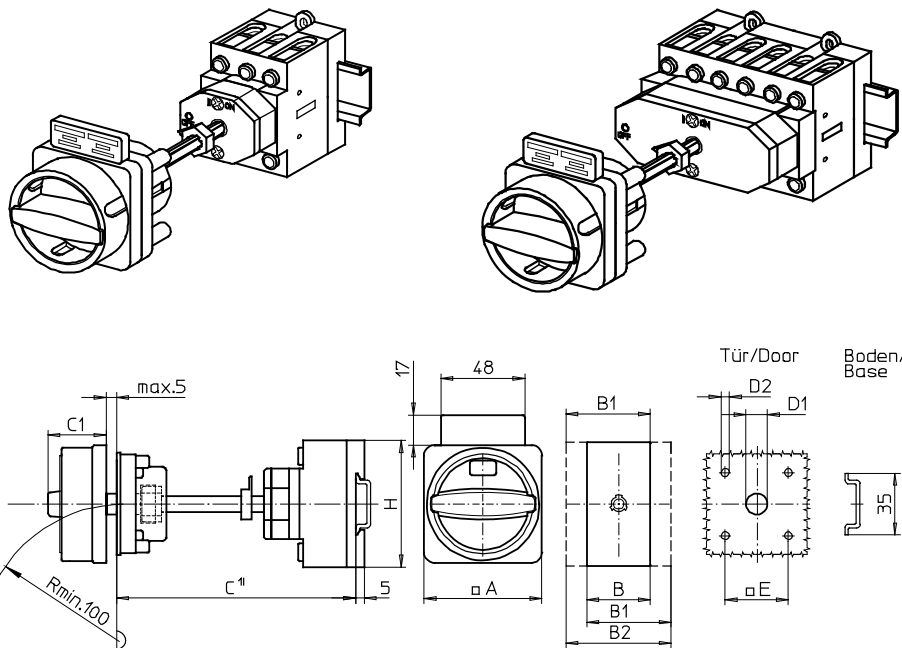
Metal shaft extension with fixed metal shaft, C = 125 mm

**Four hole mounting**

36 x 36 mm front

**491N1** (IP66)

**491N4** (IP66)



| Complete switch   | Poles   | Product lines | Rated data (IEC 60947)             |                               |            | Order code number            |
|---|---------|---------------|------------------------------------|-------------------------------|------------|------------------------------|
|   |         |               | Operational current I <sub>e</sub> | Operational power at 380–440V |            |                              |
|   |         |               | AC-21A<br>A                        | AC-23A<br>kW                  | AC-3<br>kW |                              |
| Main Switches<br>OFF position padlockable 12h               | 3 ... 8 | H200-A/-D     | 20                                 | 5,5                           | 3,7        | <b>H216 - 41 ... - 491N1</b> |
|   |         |               | 25                                 | 7,5                           | 5,5        | <b>H220 - 41 ... - 491N1</b> |
|   |         |               | 32                                 | 11                            | 7,5        | <b>H226 - 41 ... - 491N1</b> |
|   |         |               | 40                                 | 15                            | 11         | <b>H233 - 41 ... - 491N1</b> |
|   |         |               | 63                                 | 22                            | 18,5       | <b>H263 - 41 ... - 491N1</b> |
| Main/Emergency-Off Switches<br>OFF position padlockable 12h | 3 ... 8 | H200-A/-D     | 20                                 | 5,5                           | 3,7        | <b>H216 - 41 ... - 491N4</b> |
|   |         |               | 25                                 | 7,5                           | 5,5        | <b>H220 - 41 ... - 491N4</b> |
|   |         |               | 32                                 | 11                            | 7,5        | <b>H226 - 41 ... - 491N4</b> |
|   |         |               | 40                                 | 15                            | 11         | <b>H233 - 41 ... - 491N4</b> |
|   |         |               | 63                                 | 22                            | 18,5       | <b>H263 - 41 ... - 491N4</b> |
|   | 3 ... 4 | H200-B        |                                    |                               |            |                              |

## SMD modules for basic switch A02

Mounting form module for 491N.

H200-A  
H200-B  
H200-D  
H200-A/-B/-D

**BFA2 - 491**  
**BFB2 - 491**  
**BFC2 - 491**  
**2CN1**

N-padlock device 67 x 67 mm, mounting form 491N1  
Escutcheon black, padlockable handle black

N-padlock device 67 x 67 mm, mounting form 491N4  
Escutcheon yellow, padlockable handle red

Additional top escutcheon plate

**2CN4**

**FAZZ - 8041**

## Dimensions (mm)

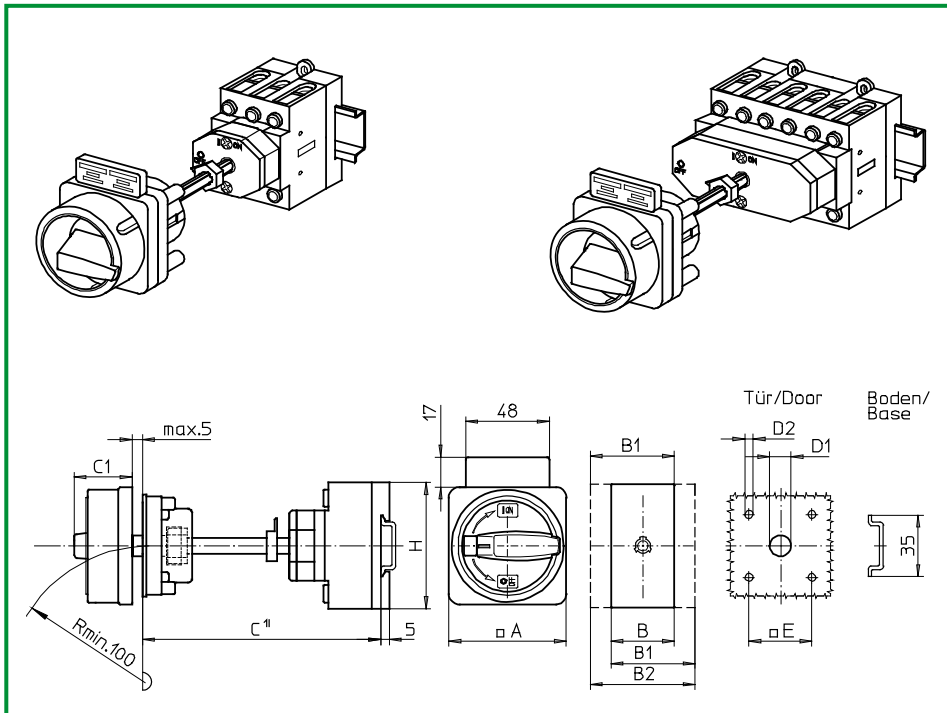
| Product lines | A  | B  | B1 | B2 | C   | C1 | D1 | D2  | E  | H  |
|---------------|----|----|----|----|-----|----|----|-----|----|----|
| H200-A        | 67 | 36 | 48 | 60 | 125 | 33 | 15 | 4,5 | 36 | 70 |
| H200-B        | 67 | 50 | 69 | 88 | 125 | 33 | 15 | 4,5 | 36 | 72 |
| H200-D        | 67 | 72 | 84 | 96 | 125 | 33 | 15 | 4,5 | 36 | 70 |

C<sup>1</sup>) Internal depth, inside of door to top of DIN rail.



# Base Mounting Switches

# sälzer



**Product lines**  
H200-A/-B/-D

**Base mounting switch**

**Door interlock**

Metal shaft extension with fixed metal shaft, C = 130 mm

**Four hole mounting**

36 x 36 mm front

**492M1** (IP66)

**492M4** (IP66)

| Complete switch   | Poles   | Product lines | Rated data (IEC 60947)             |                               |            | Order code number            |
|---|---------|---------------|------------------------------------|-------------------------------|------------|------------------------------|
|   |         |               | Operational current I <sub>e</sub> | Operational power at 380–440V |            |                              |
|   |         |               | AC-21A<br>A                        | AC-23A<br>kW                  | AC-3<br>kW |                              |
| Main Switches<br>OFF position padlockable 09h               | 3 ... 8 | H200-A/-D     | 20                                 | 5,5                           | 3,7        | <b>H216 - 41 ... - 492M1</b> |
|   |         |               | 25                                 | 7,5                           | 5,5        | <b>H220 - 41 ... - 492M1</b> |
|   |         |               | 32                                 | 11                            | 7,5        | <b>H226 - 41 ... - 492M1</b> |
|   |         |               | 40                                 | 15                            | 11         | <b>H233 - 41 ... - 492M1</b> |
|   |         |               | 63                                 | 22                            | 18,5       | <b>H263 - 41 ... - 492M1</b> |
| Main/Emergency-Off Switches<br>OFF position padlockable 09h | 3 ... 8 | H200-A/-D     | 20                                 | 5,5                           | 3,7        | <b>H216 - 41 ... - 492M4</b> |
|   |         |               | 25                                 | 7,5                           | 5,5        | <b>H220 - 41 ... - 492M4</b> |
|   |         |               | 32                                 | 11                            | 7,5        | <b>H226 - 41 ... - 492M4</b> |
|   |         |               | 40                                 | 15                            | 11         | <b>H233 - 41 ... - 492M4</b> |
|   |         |               | 63                                 | 22                            | 18,5       | <b>H263 - 41 ... - 492M4</b> |
|   | 3 ... 4 | H200-B        |                                    |                               |            |                              |

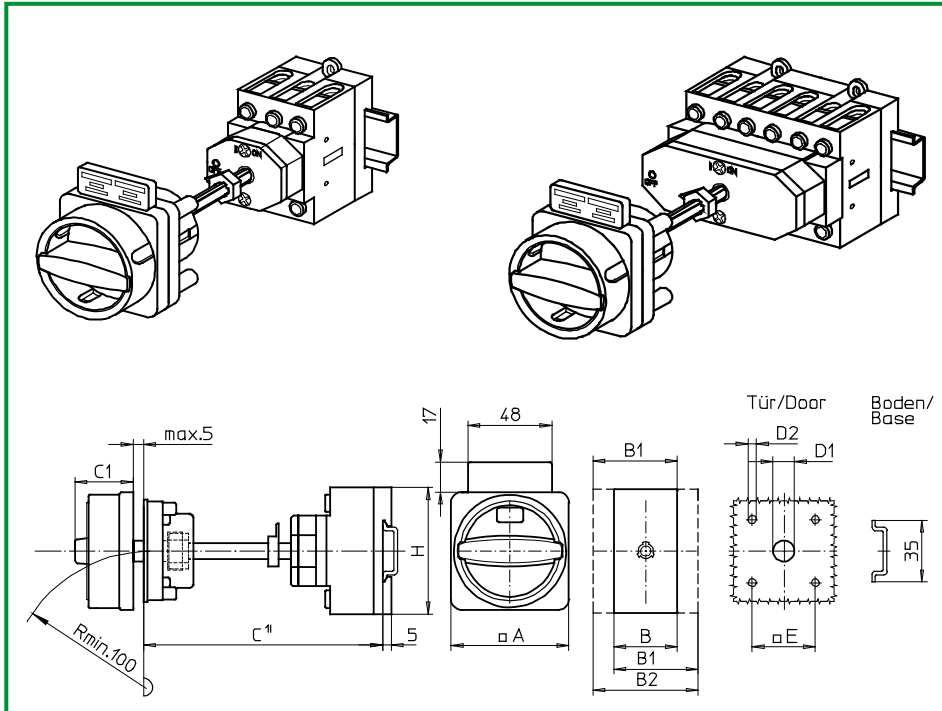
| SMD modules for basic switch A02   |  |                            |   |
|--|--|----------------------------|---|
| Mounting form module for 492M.   |  | H200-A<br>H200-B<br>H200-D | <b>BFA2 - 492</b><br><b>BFB2 - 492</b><br><b>BFC2 - 492</b> |
| M-padlock device 67 x 67 mm, mounting form 492M1<br>Escutcheon black, padlockable handle black |  | H200-A/-B/-D               | <b>2CM1</b>   |
| M-padlock device 67 x 67 mm, mounting form 492M4<br>Escutcheon yellow, padlockable handle red  |  |                            | <b>2CM4</b>   |
| Additional top escutcheon plate  |  |                            | <b>FAZZ - 8041</b>  |

| Dimensions (mm) |    |    |    |    |     |    |    |     |    |    |
|-----------------|----|----|----|----|-----|----|----|-----|----|----|
| Product lines   | A  | B  | B1 | B2 | C   | C1 | D1 | D2  | E  | H  |
| H200-A          | 67 | 36 | 48 | 60 | 130 | 38 | 15 | 4,5 | 36 | 70 |
| H200-B          | 67 | 50 | 69 | 88 | 130 | 38 | 15 | 4,5 | 36 | 72 |
| H200-D          | 67 | 72 | 84 | 96 | 130 | 38 | 15 | 4,5 | 36 | 70 |

C<sup>1</sup>) Internal depth, inside of door to top of DIN rail.

# Base Mounting Switches

# sälzer



**Product lines**  
H200-A/-B/-D

**Base mounting switch**

**Door interlock**

Metal shaft extension with fixed metal shaft, C = 130 mm

**Four hole mounting**

36 x 36 mm front

**492N1** (IP66)

**492N4** (IP66)

| Complete switch   | Poles   | Product lines | Rated data (IEC 60947)             |                               |            | Order code number            |
|---|---------|---------------|------------------------------------|-------------------------------|------------|------------------------------|
|   |         |               | Operational current I <sub>e</sub> | Operational power at 380–440V |            |                              |
|   |         |               | AC-21A<br>A                        | AC-23A<br>kW                  | AC-3<br>kW |                              |
| Main Switches<br>OFF position padlockable 12h               | 3 ... 8 | H200-A/-D     | 20                                 | 5,5                           | 3,7        | <b>H216 - 41 ... - 492N1</b> |
|   |         |               | 25                                 | 7,5                           | 5,5        | <b>H220 - 41 ... - 492N1</b> |
|   |         |               | 32                                 | 11                            | 7,5        | <b>H226 - 41 ... - 492N1</b> |
|   |         |               | 40                                 | 15                            | 11         | <b>H233 - 41 ... - 492N1</b> |
|   |         |               | 63                                 | 22                            | 18,5       | <b>H263 - 41 ... - 492N1</b> |
| Main/Emergency-Off Switches<br>OFF position padlockable 12h | 3 ... 8 | H200-A/-D     | 20                                 | 5,5                           | 3,7        | <b>H216 - 41 ... - 492N4</b> |
|   |         |               | 25                                 | 7,5                           | 5,5        | <b>H220 - 41 ... - 492N4</b> |
|   |         |               | 32                                 | 11                            | 7,5        | <b>H226 - 41 ... - 492N4</b> |
|   |         |               | 40                                 | 15                            | 11         | <b>H233 - 41 ... - 492N4</b> |
|   |         |               | 63                                 | 22                            | 18,5       | <b>H263 - 41 ... - 492N4</b> |
|   | 3 ... 4 | H200-B        |                                    |                               |            |                              |

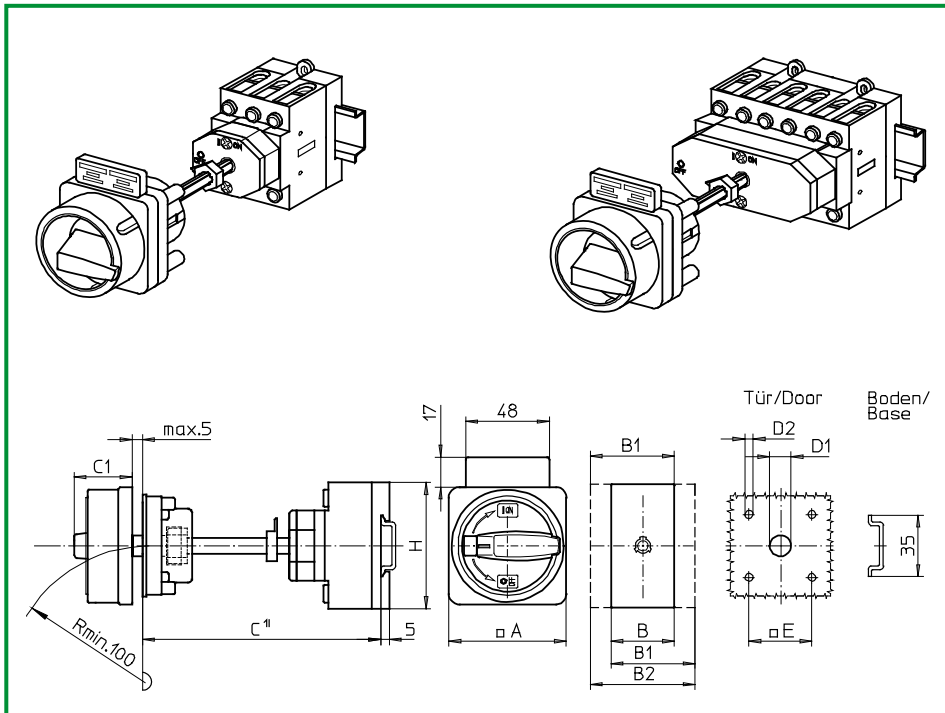
| SMD modules for basic switch A02   |                            |   |
|--|----------------------------|---|
| Mounting form module for 492N.   | H200-A<br>H200-B<br>H200-D | <b>BFA2 - 492</b><br><b>BFB2 - 492</b><br><b>BFC2 - 492</b> |
| N-padlock device 67 x 67 mm, mounting form 492N1<br>Escutcheon black, padlockable handle black | H200-A/-B/-D               | <b>2CN1</b>   |
| N-padlock device 67 x 67 mm, mounting form 492N4<br>Escutcheon yellow, padlockable handle red  |                            | <b>2CN4</b>   |
| Additional top escutcheon plate  |                            | <b>FAZ2 - 8041</b>  |

| Dimensions (mm) |    |    |    |    |     |    |    |     |    |    |
|-----------------|----|----|----|----|-----|----|----|-----|----|----|
| Product lines   | A  | B  | B1 | B2 | C   | C1 | D1 | D2  | E  | H  |
| H200-A          | 67 | 36 | 48 | 60 | 130 | 33 | 15 | 4,5 | 36 | 70 |
| H200-B          | 67 | 50 | 69 | 88 | 130 | 33 | 15 | 4,5 | 36 | 72 |
| H200-D          | 67 | 72 | 84 | 96 | 130 | 33 | 15 | 4,5 | 36 | 70 |

**C<sup>1</sup>) Internal depth, inside of door to top of DIN rail.**

# Base Mounting Switches

**sälzer**



**Product lines**  
**H200-A/-B/-D**

**Base mounting switch**

**Door interlock**

Metal shaft extension with fixed metal shaft, C = 135 mm

**Four hole mounting**

36 x 36 mm front

**493M1** (IP66)

**493M4** (IP66)

| Complete switch   | Poles   | Product lines | Rated data (IEC 60947)             |                               |            | Order code number            |
|---|---------|---------------|------------------------------------|-------------------------------|------------|------------------------------|
|   |         |               | Operational current I <sub>e</sub> | Operational power at 380–440V |            |                              |
|   |         |               | AC-21A<br>A                        | AC-23A<br>kW                  | AC-3<br>kW |                              |
| Main Switches<br>OFF position padlockable 09h               | 3 ... 8 | H200-A/-D     | 20                                 | 5,5                           | 3,7        | <b>H216 - 41 ... - 493M1</b> |
|   |         |               | 25                                 | 7,5                           | 5,5        | <b>H220 - 41 ... - 493M1</b> |
|   |         |               | 32                                 | 11                            | 7,5        | <b>H226 - 41 ... - 493M1</b> |
|   |         |               | 40                                 | 15                            | 11         | <b>H233 - 41 ... - 493M1</b> |
|   |         |               | 63                                 | 22                            | 18,5       | <b>H263 - 41 ... - 493M1</b> |
| Main/Emergency-Off Switches<br>OFF position padlockable 09h | 3 ... 8 | H200-A/-D     | 20                                 | 5,5                           | 3,7        | <b>H216 - 41 ... - 493M4</b> |
|   |         |               | 25                                 | 7,5                           | 5,5        | <b>H220 - 41 ... - 493M4</b> |
|   |         |               | 32                                 | 11                            | 7,5        | <b>H226 - 41 ... - 493M4</b> |
|   |         |               | 40                                 | 15                            | 11         | <b>H233 - 41 ... - 493M4</b> |
|   |         |               | 63                                 | 22                            | 18,5       | <b>H263 - 41 ... - 493M4</b> |
|   | 3 ... 4 | H200-B        |                                    |                               |            |                              |

## SMD modules for basic switch A02

Mounting form module for 493M.

H200-A  
H200-B  
H200-D

**BFA2 - 493**  
**BFB2 - 493**  
**BFC2 - 493**

M-padlock device 67 x 67 mm, mounting form 493M1  
Escutcheon black, padlockable handle black

H200-A/-B/-D

**2CM1**

M-padlock device 67 x 67 mm, mounting form 493M4  
Escutcheon yellow, padlockable handle red

**2CM4**

Additional top escutcheon plate

**FAZZ - 8041**

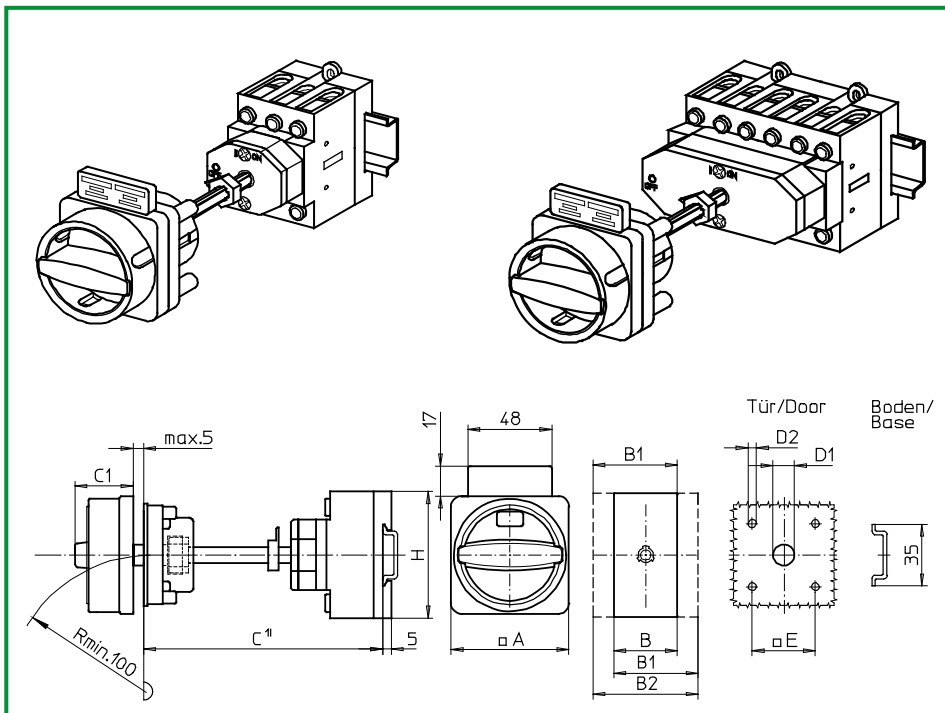
## Dimensions (mm)

| Product lines | A  | B  | B1 | B2 | C   | C1 | D1 | D2  | E  | H  |
|---------------|----|----|----|----|-----|----|----|-----|----|----|
| H200-A        | 67 | 36 | 48 | 60 | 135 | 38 | 15 | 4,5 | 36 | 70 |
| H200-B        | 67 | 50 | 69 | 88 | 135 | 38 | 15 | 4,5 | 36 | 72 |
| H200-D        | 67 | 72 | 84 | 96 | 135 | 38 | 15 | 4,5 | 36 | 70 |

C<sup>1</sup>) Internal depth, inside of door to top of DIN rail.

# Base Mounting Switches

# sälzer



**Product lines**  
H200-A/-B/-D

**Base mounting switch**

**Door interlock**  
Metal shaft extension with fixed metal shaft, C = 135 mm

**Four hole mounting**  
36 x 36 mm front

**493N1** (IP66)

**493N4** (IP66)

| Complete switch   | Poles   | Product lines | Rated data (IEC 60947)             |                               |            | Order code number            |
|---|---------|---------------|------------------------------------|-------------------------------|------------|------------------------------|
|   |         |               | Operational current I <sub>e</sub> | Operational power at 380–440V |            |                              |
|   |         |               | AC-21A<br>A                        | AC-23A<br>kW                  | AC-3<br>kW |                              |
| Main Switches<br>OFF position padlockable 12h               | 3 ... 8 | H200-A/-D     | 20                                 | 5,5                           | 3,7        | <b>H216 - 41 ... - 493N1</b> |
|   |         |               | 25                                 | 7,5                           | 5,5        | <b>H220 - 41 ... - 493N1</b> |
|   |         |               | 32                                 | 11                            | 7,5        | <b>H226 - 41 ... - 493N1</b> |
|   |         |               | 40                                 | 15                            | 11         | <b>H233 - 41 ... - 493N1</b> |
|   |         |               | 63                                 | 22                            | 18,5       | <b>H263 - 41 ... - 493N1</b> |
| Main/Emergency-Off Switches<br>OFF position padlockable 12h | 3 ... 8 | H200-A/-D     | 20                                 | 5,5                           | 3,7        | <b>H216 - 41 ... - 493N4</b> |
|   |         |               | 25                                 | 7,5                           | 5,5        | <b>H220 - 41 ... - 493N4</b> |
|   |         |               | 32                                 | 11                            | 7,5        | <b>H226 - 41 ... - 493N4</b> |
|   |         |               | 40                                 | 15                            | 11         | <b>H233 - 41 ... - 493N4</b> |
|   |         |               | 63                                 | 22                            | 18,5       | <b>H263 - 41 ... - 493N4</b> |
|   | 3 ... 4 | H200-B        |                                    |                               |            |                              |

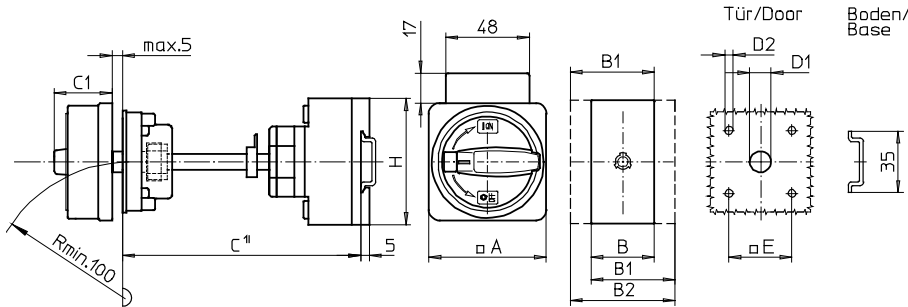
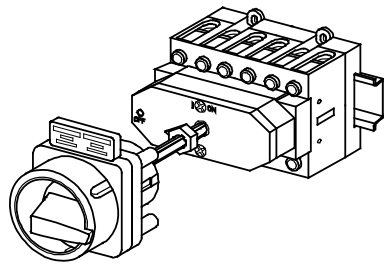
| SMD modules for basic switch A02   |  |                            |   |
|--|--|----------------------------|---|
| Mounting form module for 493N.   |  | H200-A<br>H200-B<br>H200-D | <b>BFA2 - 493</b><br><b>BFB2 - 493</b><br><b>BFC2 - 493</b> |
| N-padlock device 67 x 67 mm, mounting form 493N1<br>Escutcheon black, padlockable handle black |  | H200-A/-B/-D               | <b>2CN1</b>   |
| N-padlock device 67 x 67 mm, mounting form 493N4<br>Escutcheon yellow, padlockable handle red  |  |                            | <b>2CN4</b>   |
| Additional top escutcheon plate  |  |                            | <b>FAZZ - 8041</b>  |

| Dimensions (mm) |    |    |    |    |     |    |    |     |    |    |
|-----------------|----|----|----|----|-----|----|----|-----|----|----|
| Product lines   | A  | B  | B1 | B2 | C   | C1 | D1 | D2  | E  | H  |
| H200-A          | 67 | 36 | 48 | 60 | 135 | 33 | 15 | 4,5 | 36 | 70 |
| H200-B          | 67 | 50 | 69 | 88 | 135 | 33 | 15 | 4,5 | 36 | 72 |
| H200-D          | 67 | 72 | 84 | 96 | 135 | 33 | 15 | 4,5 | 36 | 70 |

C<sup>1</sup>) Internal depth, inside of door to top of DIN rail.

# Base Mounting Switches

# sälzer



**Product line**  
**H200-D**

**Base mounting switch**

**Door interlock**

Metal shaft extension with fixed metal shaft, C = 140 mm

**Four hole mounting**

36 x 36 mm front

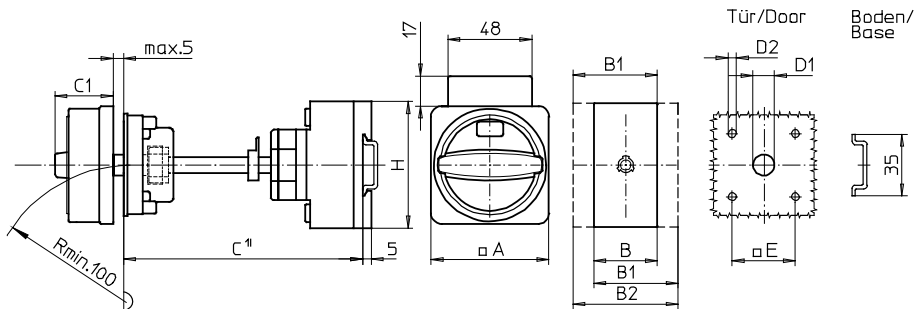
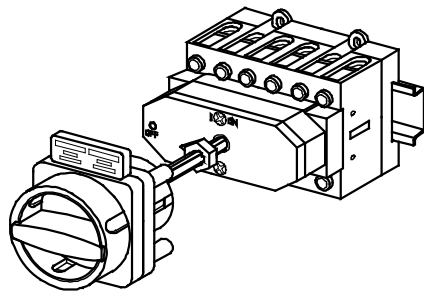
**494M1** (IP66)

**494M4** (IP66)

| Complete switch  | Poles    | Product lines | Rated data (IEC 60947)             |                               |                    | Order code number            |           |           |          |          |  |
|--|----------|---------------|------------------------------------|-------------------------------|--------------------|------------------------------|-----------|-----------|----------|----------|--|
|  |          |               | Operational current I <sub>e</sub> | Operational power at 380–440V |                    |                              |           |           |          |          |  |
|  |          |               | AC-21A<br>A                        | AC-23A<br>kW                  | AC-3<br>kW         |                              |           |           |          |          |  |
| Main Switches<br>OFF position padlockable 09h  | 6 ... 8  | H200-D        | 20                                 | 5,5                           | 3,7                | <b>H216 - 41 ... - 494M1</b> |           |           |          |          |  |
|  |          |               | 25                                 | 7,5                           | 5,5                | <b>H220 - 41 ... - 494M1</b> |           |           |          |          |  |
|  |          |               | 32                                 | 11                            | 7,5                | <b>H226 - 41 ... - 494M1</b> |           |           |          |          |  |
|  |          |               | 40                                 | 15                            | 11                 | <b>H233 - 41 ... - 494M1</b> |           |           |          |          |  |
| Main/Emergency-Off Switches<br>OFF position padlockable 09h                                    | 6 ... 8  | H200-D        | 20                                 | 5,5                           | 3,7                | <b>H216 - 41 ... - 494M4</b> |           |           |          |          |  |
|  |          |               | 25                                 | 7,5                           | 5,5                | <b>H220 - 41 ... - 494M4</b> |           |           |          |          |  |
|  |          |               | 32                                 | 11                            | 7,5                | <b>H226 - 41 ... - 494M4</b> |           |           |          |          |  |
|  |          |               | 40                                 | 15                            | 11                 | <b>H233 - 41 ... - 494M4</b> |           |           |          |          |  |
| <b>SMD modules for basic switch A02</b>  |          |               |                                    |                               |                    |                              |           |           |          |          |  |
| Mounting form module for 494M.   |          |               | H200-D                             |                               | <b>BFC2 - 494</b>  |                              |           |           |          |          |  |
| M-padlock device 67 x 67 mm, mounting form 494M1<br>Escutcheon black, padlockable handle black |          |               | H200-D                             |                               | <b>2CM1</b>        |                              |           |           |          |          |  |
| M-padlock device 67 x 67 mm, mounting form 494M4<br>Escutcheon yellow, padlockable handle red  |          |               |                                    |                               | <b>2CM4</b>        |                              |           |           |          |          |  |
| Additional top escutcheon plate  |          |               |                                    |                               | <b>FAZ2 - 8041</b> |                              |           |           |          |          |  |
| <b>Dimensions (mm)</b>   |          |               |                                    |                               |                    |                              |           |           |          |          |  |
| <b>Product line</b>  | <b>A</b> | <b>B</b>      | <b>B1</b>                          | <b>B2</b>                     | <b>C</b>           | <b>C1</b>                    | <b>D1</b> | <b>D2</b> | <b>E</b> | <b>H</b> |  |
| H200-D   | 67       | 72            | 84                                 | 96                            | 140                | 38                           | 15        | 4,5       | 36       | 70       |  |
| <b>C<sup>1)</sup> Internal depth, inside of door to top of DIN rail.</b>                       |          |               |                                    |                               |                    |                              |           |           |          |          |  |

# Base Mounting Switches

# sälzer



**Product line**  
**H200-D**

**Base mounting switch**

**Door interlock**

Metal shaft extension with fixed metal shaft, C = 140 mm

**Four hole mounting**

36 x 36 mm front

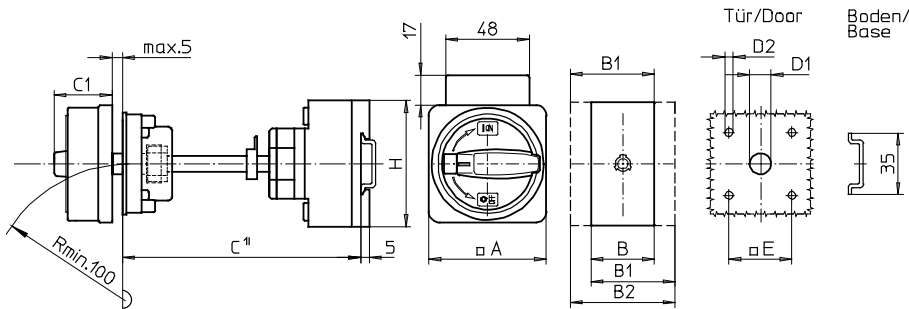
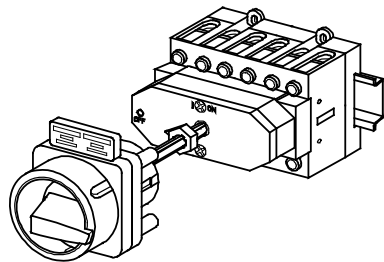
**494N1 (IP66)**

**494N4 (IP66)**

| Complete switch  | Poles    | Product lines | Rated data (IEC 60947)             |                               |                    | Order code number            |           |           |          |          |  |
|--|----------|---------------|------------------------------------|-------------------------------|--------------------|------------------------------|-----------|-----------|----------|----------|--|
|  |          |               | Operational current I <sub>e</sub> | Operational power at 380–440V |                    |                              |           |           |          |          |  |
|  |          |               | AC-21A<br>A                        | AC-23A<br>kW                  | AC-3<br>kW         |                              |           |           |          |          |  |
| Main Switches<br>OFF position padlockable 12h  | 6 ... 8  | H200-D        | 20                                 | 5,5                           | 3,7                | <b>H216 - 41 ... - 494N1</b> |           |           |          |          |  |
|  |          |               | 25                                 | 7,5                           | 5,5                | <b>H220 - 41 ... - 494N1</b> |           |           |          |          |  |
|  |          |               | 32                                 | 11                            | 7,5                | <b>H226 - 41 ... - 494N1</b> |           |           |          |          |  |
|  |          |               | 40                                 | 15                            | 11                 | <b>H233 - 41 ... - 494N1</b> |           |           |          |          |  |
| Main/Emergency-Off Switches<br>OFF position padlockable 12h                                    | 6 ... 8  | H200-D        | 20                                 | 5,5                           | 3,7                | <b>H216 - 41 ... - 494N4</b> |           |           |          |          |  |
|  |          |               | 25                                 | 7,5                           | 5,5                | <b>H220 - 41 ... - 494N4</b> |           |           |          |          |  |
|  |          |               | 32                                 | 11                            | 7,5                | <b>H226 - 41 ... - 494N4</b> |           |           |          |          |  |
|  |          |               | 40                                 | 15                            | 11                 | <b>H233 - 41 ... - 494N4</b> |           |           |          |          |  |
| <b>SMD modules for basic switch A02</b>  |          |               |                                    |                               |                    |                              |           |           |          |          |  |
| Mounting form module for 494N.   |          |               | H200-D                             |                               | <b>BFC2 - 494</b>  |                              |           |           |          |          |  |
| N-padlock device 67 x 67 mm, mounting form 494N1<br>Escutcheon black, padlockable handle black |          |               | H200-D                             |                               | <b>2CN1</b>        |                              |           |           |          |          |  |
| N-padlock device 67 x 67 mm, mounting form 494N4<br>Escutcheon yellow, padlockable handle red  |          |               |                                    |                               | <b>2CN4</b>        |                              |           |           |          |          |  |
| Additional top escutcheon plate  |          |               |                                    |                               | <b>FAZZ - 8041</b> |                              |           |           |          |          |  |
| <b>Dimensions (mm)</b>   |          |               |                                    |                               |                    |                              |           |           |          |          |  |
| <b>Product line</b>  | <b>A</b> | <b>B</b>      | <b>B1</b>                          | <b>B2</b>                     | <b>C</b>           | <b>C1</b>                    | <b>D1</b> | <b>D2</b> | <b>E</b> | <b>H</b> |  |
| H200-D   | 67       | 72            | 84                                 | 96                            | 140                | 33                           | 15        | 4,5       | 36       | 70       |  |
| <b>C<sup>1)</sup> Internal depth, inside of door to top of DIN rail.</b>                       |          |               |                                    |                               |                    |                              |           |           |          |          |  |

# Base Mounting Switches

# sälzer



**Product line**  
H200-D

**Base mounting switch**

**Door interlock**

Metal shaft extension with fixed metal shaft, C = 145 mm

**Four hole mounting**

36 x 36 mm front

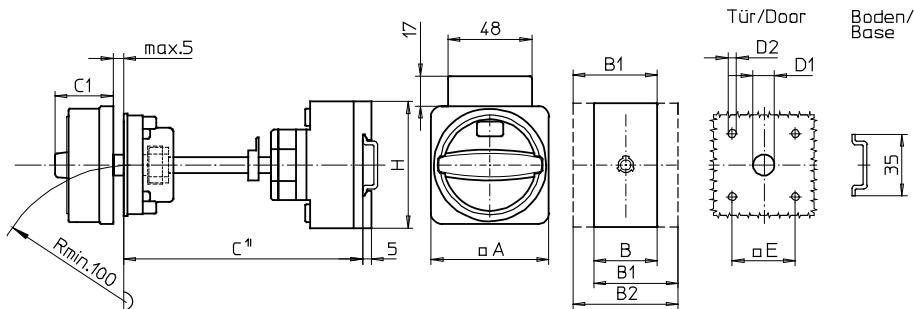
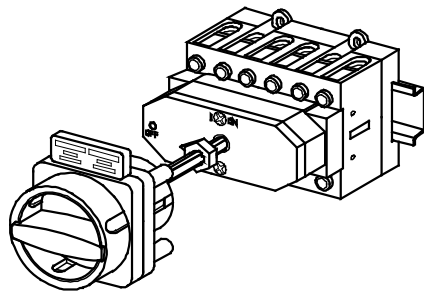
**495M1** (IP66)

**495M4** (IP66)

| Complete switch  | Poles    | Product lines | Rated data (IEC 60947)             |                               |                    | Order code number            |           |           |          |          |  |
|--|----------|---------------|------------------------------------|-------------------------------|--------------------|------------------------------|-----------|-----------|----------|----------|--|
|  |          |               | Operational current I <sub>e</sub> | Operational power at 380–440V |                    |                              |           |           |          |          |  |
|  |          |               | AC-21A<br>A                        | AC-23A<br>kW                  | AC-3<br>kW         |                              |           |           |          |          |  |
| Main Switches<br>OFF position padlockable 09h  | 6 ... 8  | H200-D        | 20                                 | 5,5                           | 3,7                | <b>H216 - 41 ... - 495M1</b> |           |           |          |          |  |
|  |          |               | 25                                 | 7,5                           | 5,5                | <b>H220 - 41 ... - 495M1</b> |           |           |          |          |  |
|  |          |               | 32                                 | 11                            | 7,5                | <b>H226 - 41 ... - 495M1</b> |           |           |          |          |  |
|  |          |               | 40                                 | 15                            | 11                 | <b>H233 - 41 ... - 495M1</b> |           |           |          |          |  |
| Main/Emergency-Off Switches<br>OFF position padlockable 09h                                    | 6 ... 8  | H200-D        | 20                                 | 5,5                           | 3,7                | <b>H216 - 41 ... - 495M4</b> |           |           |          |          |  |
|  |          |               | 25                                 | 7,5                           | 5,5                | <b>H220 - 41 ... - 495M4</b> |           |           |          |          |  |
|  |          |               | 32                                 | 11                            | 7,5                | <b>H226 - 41 ... - 495M4</b> |           |           |          |          |  |
|  |          |               | 40                                 | 15                            | 11                 | <b>H233 - 41 ... - 495M4</b> |           |           |          |          |  |
| <b>SMD modules for basic switch A02</b>  |          |               |                                    |                               |                    |                              |           |           |          |          |  |
| Mounting form module for 495M.   |          |               | H200-D                             |                               | <b>BFC2 - 495</b>  |                              |           |           |          |          |  |
| M-padlock device 67 x 67 mm, mounting form 495M1<br>Escutcheon black, padlockable handle black |          |               | H200-D                             |                               | <b>2CM1</b>        |                              |           |           |          |          |  |
| M-padlock device 67 x 67 mm, mounting form 495M4<br>Escutcheon yellow, padlockable handle red  |          |               |                                    |                               | <b>2CM4</b>        |                              |           |           |          |          |  |
| Additional top escutcheon plate  |          |               |                                    |                               | <b>FAZ2 - 8041</b> |                              |           |           |          |          |  |
| <b>Dimensions (mm)</b>   |          |               |                                    |                               |                    |                              |           |           |          |          |  |
| <b>Product line</b>  | <b>A</b> | <b>B</b>      | <b>B1</b>                          | <b>B2</b>                     | <b>C</b>           | <b>C1</b>                    | <b>D1</b> | <b>D2</b> | <b>E</b> | <b>H</b> |  |
| H200-D   | 67       | 72            | 84                                 | 96                            | 145                | 38                           | 15        | 4,5       | 36       | 70       |  |
| <b>C<sup>1)</sup> Internal depth, inside of door to top of DIN rail.</b>                       |          |               |                                    |                               |                    |                              |           |           |          |          |  |

# Base Mounting Switches

# sälzer



**Product line**  
**H200-D**

**Base mounting switch**

**Door interlock**

Metal shaft extension with fixed metal shaft, C = 145 mm

**Four hole mounting**

36 x 36 mm front

**495N1 (IP66)**

**495N4 (IP66)**

| Complete switch  | Poles    | Product lines | Rated data (IEC 60947)             |                               |                    | Order code number            |           |           |          |          |  |
|--|----------|---------------|------------------------------------|-------------------------------|--------------------|------------------------------|-----------|-----------|----------|----------|--|
|  |          |               | Operational current I <sub>e</sub> | Operational power at 380–440V |                    |                              |           |           |          |          |  |
|  |          |               | AC-21A<br>A                        | AC-23A<br>kW                  | AC-3<br>kW         |                              |           |           |          |          |  |
| Main Switches<br>OFF position padlockable 12h  | 6 ... 8  | H200-D        | 20                                 | 5,5                           | 3,7                | <b>H216 - 41 ... - 495N1</b> |           |           |          |          |  |
|  |          |               | 25                                 | 7,5                           | 5,5                | <b>H220 - 41 ... - 495N1</b> |           |           |          |          |  |
|  |          |               | 32                                 | 11                            | 7,5                | <b>H226 - 41 ... - 495N1</b> |           |           |          |          |  |
|  |          |               | 40                                 | 15                            | 11                 | <b>H233 - 41 ... - 495N1</b> |           |           |          |          |  |
| Main/Emergency-Off Switches<br>OFF position padlockable 12h                                    | 6 ... 8  | H200-D        | 20                                 | 5,5                           | 3,7                | <b>H216 - 41 ... - 495N4</b> |           |           |          |          |  |
|  |          |               | 25                                 | 7,5                           | 5,5                | <b>H220 - 41 ... - 495N4</b> |           |           |          |          |  |
|  |          |               | 32                                 | 11                            | 7,5                | <b>H226 - 41 ... - 495N4</b> |           |           |          |          |  |
|  |          |               | 40                                 | 15                            | 11                 | <b>H233 - 41 ... - 495N4</b> |           |           |          |          |  |
| <b>SMD modules for basic switch A02</b>  |          |               |                                    |                               |                    |                              |           |           |          |          |  |
| Mounting form module for 495N.   |          |               | H200-D                             |                               | <b>BFC2 - 495</b>  |                              |           |           |          |          |  |
| N-padlock device 67 x 67 mm, mounting form 495N1<br>Escutcheon black, padlockable handle black |          |               | H200-D                             |                               | <b>2CN1</b>        |                              |           |           |          |          |  |
| N-padlock device 67 x 67 mm, mounting form 495N4<br>Escutcheon yellow, padlockable handle red  |          |               |                                    |                               | <b>2CN4</b>        |                              |           |           |          |          |  |
| Additional top escutcheon plate  |          |               |                                    |                               | <b>FAZZ - 8041</b> |                              |           |           |          |          |  |
| <b>Dimensions (mm)</b>   |          |               |                                    |                               |                    |                              |           |           |          |          |  |
| <b>Product line</b>  | <b>A</b> | <b>B</b>      | <b>B1</b>                          | <b>B2</b>                     | <b>C</b>           | <b>C1</b>                    | <b>D1</b> | <b>D2</b> | <b>E</b> | <b>H</b> |  |
| H200-D   | 67       | 72            | 84                                 | 96                            | 145                | 33                           | 15        | 4,5       | 36       | 70       |  |
| <b>C<sup>1)</sup> Internal depth, inside of door to top of DIN rail.</b>                       |          |               |                                    |                               |                    |                              |           |           |          |          |  |



# Base Mounting Switches

# sälzer

**Product lines**  
**H200-A/-D**

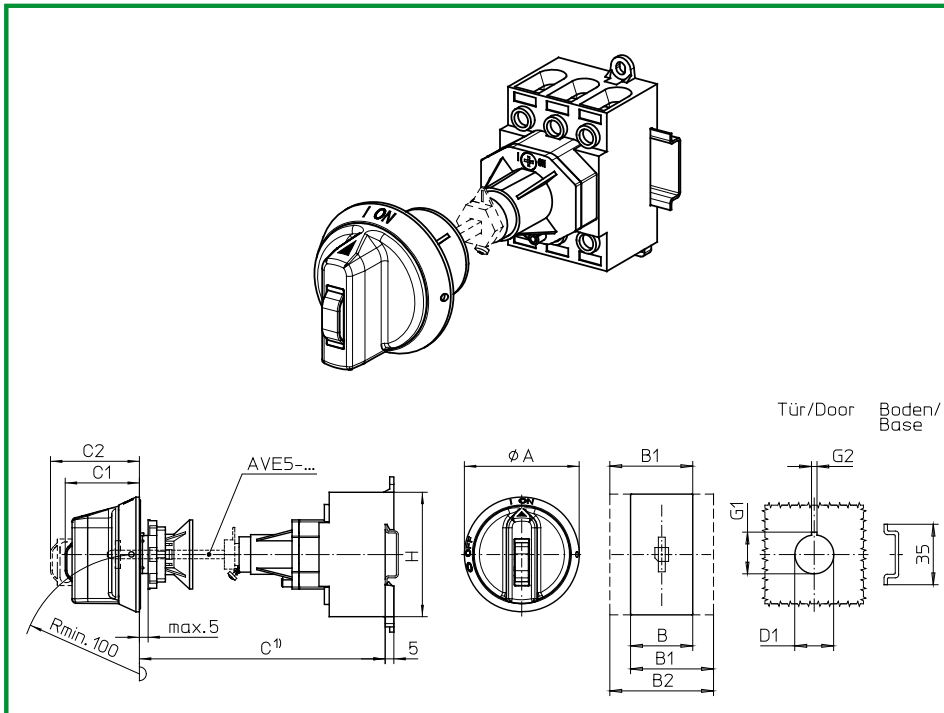
**Base mounting switch**

**Defeatable door interlock**  
Metal shaft extension

**Single hole mounting**  
ø 22,5 mm front

**381D1 (IP66)**

**381D4 (IP66)**



| Complete switch   | Poles   | Product lines | Rated data (IEC 60947)             |                               |            | Order code number            |
|---|---------|---------------|------------------------------------|-------------------------------|------------|------------------------------|
|   |         |               | Operational current I <sub>e</sub> | Operational power at 380–440V |            |                              |
|   |         |               | AC-21A<br>A                        | AC-23A<br>kW                  | AC-3<br>kW |                              |
| Main Switches<br>OFF position padlockable 09h               | 3 ... 8 | H200-A/-D     | 20                                 | 5,5                           | 3,7        | <b>H216 - 41 ... - 381D1</b> |
|   |         |               | 25                                 | 7,5                           | 5,5        | <b>H220 - 41 ... - 381D1</b> |
|   |         |               | 32                                 | 11                            | 7,5        | <b>H226 - 41 ... - 381D1</b> |
|   |         |               | 40                                 | 15                            | 11         | <b>H233 - 41 ... - 381D1</b> |
| Main/Emergency-Off Switches<br>OFF position padlockable 09h | 3 ... 8 | H200-A/-D     | 20                                 | 5,5                           | 3,7        | <b>H216 - 41 ... - 381D4</b> |
|   |         |               | 25                                 | 7,5                           | 5,5        | <b>H220 - 41 ... - 381D4</b> |
|   |         |               | 32                                 | 11                            | 7,5        | <b>H226 - 41 ... - 381D4</b> |
|   |         |               | 40                                 | 15                            | 11         | <b>H233 - 41 ... - 381D4</b> |

| SMD modules for basic switch A02                                       |        |                   |
|--|--------|-------------------|
| Mounting form module for 381D1/381D4                                   | H200-A | <b>BFA2 - 381</b> |
| Mounting form module for 381D1/381D4                                   | H200-D | <b>BFB2 - 381</b> |
| Operator module, mounting form 381D1<br>Front ring black, handle black |        | <b>2RD1</b>       |
| Operator module, mounting form 381D4<br>Front ring yellow, handle red  |        | <b>2RD4</b>       |
| Metal shaft extension (see accessories)                                |        | <b>AVE5 - ...</b> |

| Dimensions (mm) |    |    |    |    |    |      |      |      |     |    |
|-----------------|----|----|----|----|----|------|------|------|-----|----|
| Product lines   | A  | B  | B1 | B2 | C1 | C2   | D1   | G1   | G2  | H  |
| H200-A          | 67 | 36 | 48 | 60 | 43 | 51,5 | 22,5 | 24,2 | 3,2 | 70 |
| H200-D          | 67 | 72 | 84 | 96 | 43 | 51,5 | 22,5 | 24,2 | 3,2 | 70 |

C<sup>1</sup>) internal depth, outside of door to top of DIN rail. Metal shaft is not included. Please order separately. See page B11-3.

# Base Mounting Switches

**sälzer**

**Product lines  
H200-A/-D**

**Base mounting switch**

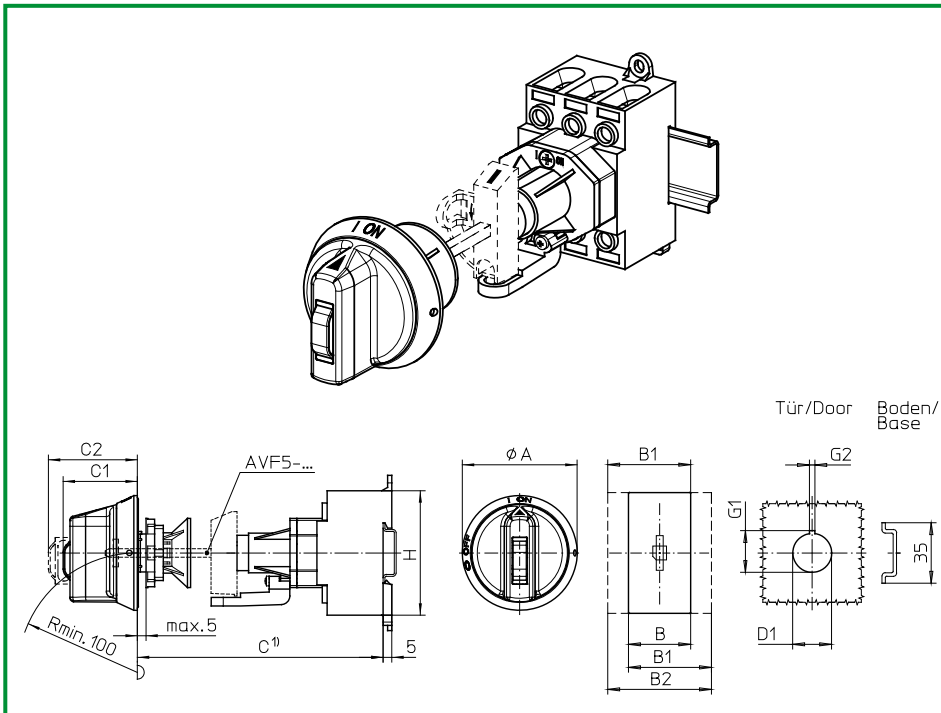
**Defeatable  
door interlock with  
maintenance handle**

Metal shaft extension

**Single hole mounting**  
ø 22,5 mm front

**386D1 (IP66)**

**386D4 (IP66)**



| Complete switch   | Poles   | Product lines | Rated data (IEC 60947)             |                               |            | Order code number            |
|---|---------|---------------|------------------------------------|-------------------------------|------------|------------------------------|
|   |         |               | Operational current I <sub>e</sub> | Operational power at 380–440V |            |                              |
|   |         |               | AC-21A<br>A                        | AC-23A<br>kW                  | AC-3<br>kW |                              |
| Main Switches<br>OFF position padlockable 09h               | 3 ... 8 | H200-A/-D     | 20                                 | 5,5                           | 3,7        | <b>H216 - 41 ... - 386D1</b> |
|   |         |               | 25                                 | 7,5                           | 5,5        | <b>H220 - 41 ... - 386D1</b> |
|   |         |               | 32                                 | 11                            | 7,5        | <b>H226 - 41 ... - 386D1</b> |
|   |         |               | 40                                 | 15                            | 11         | <b>H233 - 41 ... - 386D1</b> |
| Main/Emergency-Off Switches<br>OFF position padlockable 09h | 3 ... 8 | H200-A/-D     | 20                                 | 5,5                           | 3,7        | <b>H216 - 41 ... - 386D4</b> |
|   |         |               | 25                                 | 7,5                           | 5,5        | <b>H220 - 41 ... - 386D4</b> |
|   |         |               | 32                                 | 11                            | 7,5        | <b>H226 - 41 ... - 386D4</b> |
|   |         |               | 40                                 | 15                            | 11         | <b>H233 - 41 ... - 386D4</b> |

## SMD modules for basic switch A02

Mounting form module for 386D1/386D4  
Mounting form module for 386D1/386D4

H200-A  
H200-D

**BFA2 - 386**  
**BFB2 - 386**

Operator module, mounting form 386D1  
Front ring black, handle black

**2RD1**

Operator module, mounting form 386D4  
Front ring yellow, handle red

**2RD4**

Metal shaft extension (see accessories)

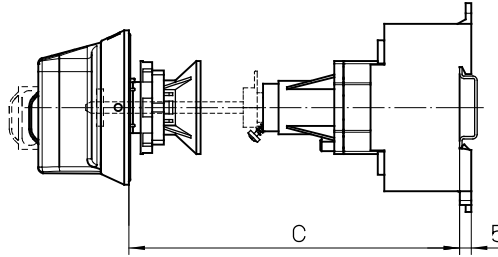
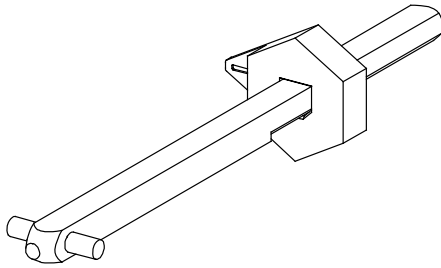
**AVF5 - ...**

## Dimensions (mm)

| Product lines | A  | B  | B1 | B2 | C1 | C2   | D1   | G1   | G2  | H  |
|---------------|----|----|----|----|----|------|------|------|-----|----|
| H200-A        | 67 | 36 | 48 | 60 | 43 | 51,5 | 22,5 | 24,2 | 3,2 | 70 |
| H200-D        | 67 | 72 | 84 | 96 | 43 | 51,5 | 22,5 | 24,2 | 3,2 | 70 |

C<sup>1</sup>) internal depth, outside of door to top of DIN rail. Metal shaft is not included. Please order separately. See page B11-4.

# Metal shaft extension



**Product lines  
H200-A/-D**

**Base mounting switches**

**Defeatable  
door interlock  
Metal shaft extension**

**Single hole mounting  
ø 22,5 mm front**

**AVE5 - . . .**

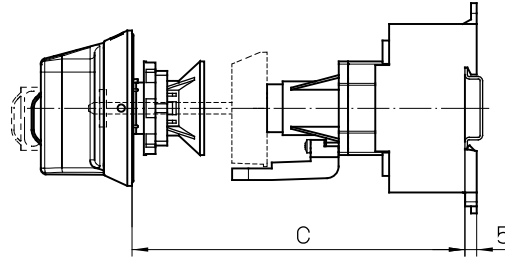
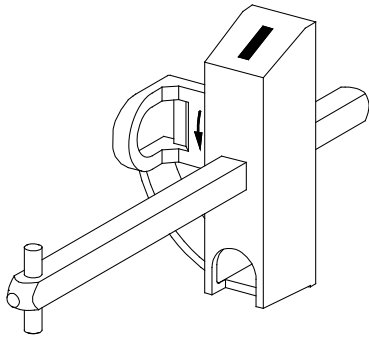
Metal shaft extension for mounting forms with defeatable door interlock and single hole mounting ø 22,5 mm front

Dimension C (internal depth, outside of door to top of DIN rail)

| H200-A           | H200-D           | Order code number |
|------------------|------------------|-------------------|
| 122 . . . 137 mm | 130 . . . 145 mm | AVE5-088          |
| 137 . . . 152 mm | 145 . . . 160 mm | AVE5-103          |
| 152 . . . 167 mm | 160 . . . 175 mm | AVE5-118          |
| 167 . . . 182 mm | 175 . . . 190 mm | AVE5-133          |
| 182 . . . 197 mm | 190 . . . 205 mm | AVE5-148          |
| 197 . . . 212 mm | 205 . . . 220 mm | AVE5-163          |
| 212 . . . 227 mm | 220 . . . 235 mm | AVE5-178          |
| 227 . . . 242 mm | 235 . . . 250 mm | AVE5-193          |
| 242 . . . 257 mm | 250 . . . 265 mm | AVE5-208          |
| 257 . . . 272 mm | 265 . . . 280 mm | AVE5-223          |
| 272 . . . 287 mm | 280 . . . 295 mm | AVE5-238          |
| 287 . . . 302 mm | 295 . . . 310 mm | AVE5-253          |
| 302 . . . 317 mm | 310 . . . 325 mm | AVE5-268          |
| 317 . . . 332 mm | 325 . . . 340 mm | AVE5-283          |
| 332 . . . 347 mm | 340 . . . 355 mm | AVE5-298          |
| 347 . . . 362 mm | 355 . . . 370 mm | AVE5-313          |
| 362 . . . 377 mm | 370 . . . 385 mm | AVE5-328          |
| 377 . . . 392 mm | 385 . . . 400 mm | AVE5-343          |
| 392 . . . 407 mm | 400 . . . 415 mm | AVE5-358          |
| 407 . . . 422 mm | 415 . . . 430 mm | AVE5-373          |
| 422 . . . 437 mm | 430 . . . 445 mm | AVE5-388          |
| 437 . . . 452 mm | 445 . . . 460 mm | AVE5-403          |
| 452 . . . 467 mm | 460 . . . 475 mm | AVE5-418          |
| 467 . . . 482 mm | 475 . . . 490 mm | AVE5-433          |
| 482 . . . 497 mm | 490 . . . 505 mm | AVE5-448          |
| 497 . . . 512 mm | 505 . . . 520 mm | AVE5-463          |
| 512 . . . 527 mm | 520 . . . 535 mm | AVE5-478          |
| 527 . . . 542 mm | 535 . . . 550 mm | AVE5-493          |
| 542 . . . 557 mm | 550 . . . 565 mm | AVE5-508          |
| 557 . . . 572 mm | 565 . . . 580 mm | AVE5-523          |
| 572 . . . 587 mm | 580 . . . 595 mm | AVE5-538          |
| 587 . . . 602 mm | 595 . . . 610 mm | AVE5-553          |
| 602 . . . 617 mm | 610 . . . 625 mm | AVE5-568          |

# Metal shaft extension

**sälzer**



**Product lines  
H200-A/-D**

**Base mounting switches**

**Defeatable  
door interlock with  
maintenance handle  
Metal shaft extension**

**Single hole mounting  
ø 22,5 mm front**

**AVF5 - . . .**

**Metal shaft extension for mounting forms with defeatable door interlock and single hole mounting ø 22,5 mm front,  
Additional lockable maintenance handle**

**Dimension C (internal depth, outside of door to top of DIN rail)**

| H200-A         | H200-D         | Order code number |
|----------------|----------------|-------------------|
| 132 ... 137 mm | 140 ... 145 mm | AVF5-088          |
| 137 ... 152 mm | 145 ... 160 mm | AVF5-103          |
| 152 ... 167 mm | 160 ... 175 mm | AVF5-118          |
| 167 ... 182 mm | 175 ... 190 mm | AVF5-133          |
| 182 ... 197 mm | 190 ... 205 mm | AVF5-148          |
| 197 ... 212 mm | 205 ... 220 mm | AVF5-163          |
| 212 ... 227 mm | 220 ... 235 mm | AVF5-178          |
| 227 ... 242 mm | 235 ... 250 mm | AVF5-193          |
| 242 ... 257 mm | 250 ... 265 mm | AVF5-208          |
| 257 ... 272 mm | 265 ... 280 mm | AVF5-223          |
| 272 ... 287 mm | 280 ... 295 mm | AVF5-238          |
| 287 ... 302 mm | 295 ... 310 mm | AVF5-253          |
| 302 ... 317 mm | 310 ... 325 mm | AVF5-268          |
| 317 ... 332 mm | 325 ... 340 mm | AVF5-283          |
| 332 ... 347 mm | 340 ... 355 mm | AVF5-298          |
| 347 ... 362 mm | 355 ... 370 mm | AVF5-313          |
| 362 ... 377 mm | 370 ... 385 mm | AVF5-328          |
| 377 ... 392 mm | 385 ... 400 mm | AVF5-343          |
| 392 ... 407 mm | 400 ... 415 mm | AVF5-358          |
| 407 ... 422 mm | 415 ... 430 mm | AVF5-373          |
| 422 ... 437 mm | 430 ... 445 mm | AVF5-388          |
| 437 ... 452 mm | 445 ... 460 mm | AVF5-403          |
| 452 ... 467 mm | 460 ... 475 mm | AVF5-418          |
| 467 ... 482 mm | 475 ... 490 mm | AVF5-433          |
| 482 ... 497 mm | 490 ... 505 mm | AVF5-448          |
| 497 ... 512 mm | 505 ... 520 mm | AVF5-463          |
| 512 ... 527 mm | 520 ... 535 mm | AVF5-478          |
| 527 ... 542 mm | 535 ... 550 mm | AVF5-493          |
| 542 ... 557 mm | 550 ... 565 mm | AVF5-508          |
| 557 ... 572 mm | 565 ... 580 mm | AVF5-523          |
| 572 ... 587 mm | 580 ... 595 mm | AVF5-538          |
| 587 ... 602 mm | 595 ... 610 mm | AVF5-553          |
| 602 ... 617 mm | 610 ... 625 mm | AVF5-568          |



## Section C

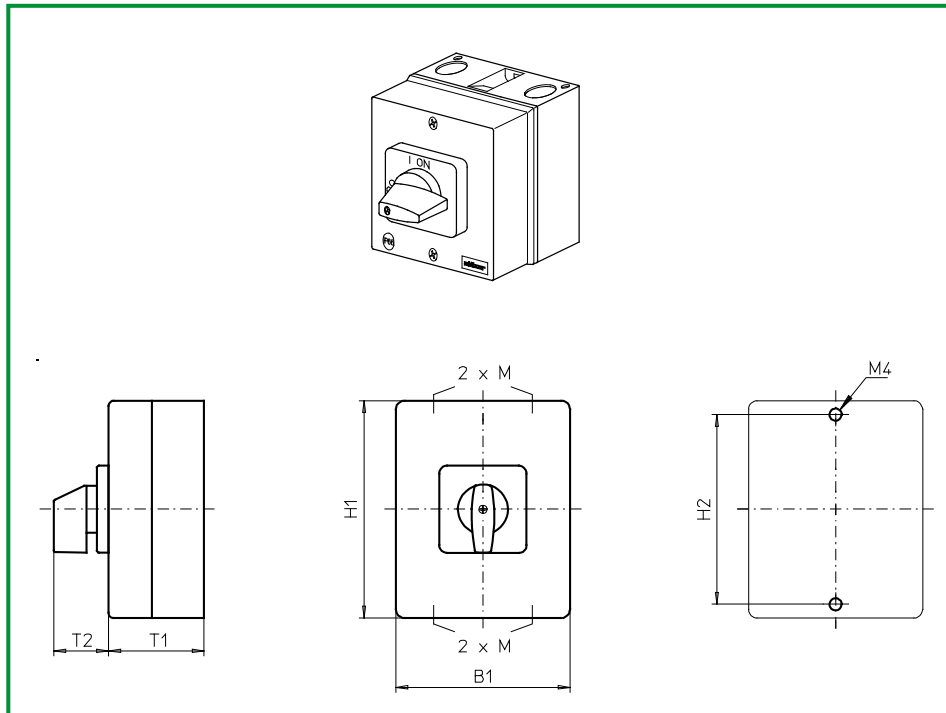
|                                   | Page        |              |
|-----------------------------------|-------------|--------------|
|                                   | from        | to           |
| <b>Insulated Enclosures</b>       | <b>C1-1</b> | <b>C1-74</b> |
| <b>Mild Steel Enclosures</b>      | <b>C2-1</b> | <b>C2-20</b> |
| <b>Stainless Steel Enclosures</b> | <b>C3-1</b> | <b>C3-34</b> |
| <b>Switch Modules</b>             | <b>C4-1</b> | <b>C4-3</b>  |

---

**Originator: Sälzer Electric GmbH · Product Data Management (PDM) · 09306 Rochlitz (Germany)**  
Copyright reserved by Sälzer Electric GmbH. This document replaces all previous issues.  
Valid until a new version is published. Changes and revisions reserved.

# Enclosed Switches

**sälzer**



**Product line  
H200-C**

**Enclosed switch**

**Insulated enclosure**

100 × 80 × 65 mm

without cover interlock

with N/PE connection link

**Cable entries**

4 × M20

**076M1 (IP66)**

| Complete switch                             | Poles     | Product lines | Rated data (IEC 60947)             |                               |            | Order code number              |
|---|-----------|---------------|------------------------------------|-------------------------------|------------|--------------------------------|
|   |           |               | Operational current I <sub>e</sub> | Operational power at 380–440V |            |                                |
|   |           |               | AC-21A<br>A                        | AC-23A<br>kW                  | AC-3<br>kW |                                |
| ON-OFF Switches                             | 3         | H200-C        | 20                                 | 5,5                           | 3,7        | <b>H212 - 41300 - 076M1</b>    |
| Switching angle 90°                         | 4         | H200-C        | 20                                 | 5,5                           | 3,7        | <b>H212 - 41400 - 076M1</b>    |
| SMD modules for basic switch EA             |           |               |                                    |                               |            |                                |
| Enclosure module, mounting form 076M1       |           |               |                                    | H200-C                        |            | <b>PAX2 - 076M1</b>            |
| Legend plate silver, enclosure module 076M1 |           |               |                                    | H200-C                        |            | <b>FAS2 - 9...</b> (FA number) |
| <b>Dimensions (mm)</b>                      |           |               |                                    |                               |            |                                |
| <b>Product line</b>                         | <b>H1</b> | <b>B1</b>     | <b>T1</b>                          | <b>T2</b>                     | <b>2xM</b> | <b>H2</b>                      |
| H200-C                                      | 100       | 80            | 65                                 | 32                            | 20         | 90                             |

# Enclosed Switches

# sälzer

**Product line**  
**H200-C**

**Enclosed switch**

**Insulated enclosure**

100 × 80 × 65 mm

without cover interlock

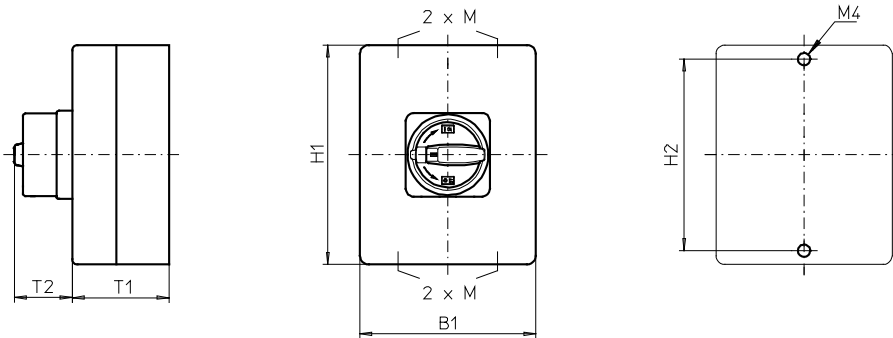
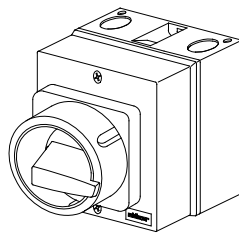
with N/PE connection link

**Cable entries**

4 × M20

**077M1 (IP66)**

**077M4 (IP66)**



| Complete switch              | Poles | Product lines | Rated data (IEC 60947)             |                               |            | Order code number           |
|------------------------------|-------|---------------|------------------------------------|-------------------------------|------------|-----------------------------|
|                              |       |               | Operational current I <sub>e</sub> | Operational power at 380–440V |            |                             |
|                              |       |               | AC-21A<br>A                        | AC-23A<br>kW                  | AC-3<br>kW |                             |
| Main Switches                | 3     | H200-C        | 20                                 | 5,5                           | 3,7        | <b>H212 - 41300 - 077M1</b> |
| OFF position padlockable 09h | 4     | H200-C        | 20                                 | 5,5                           | 3,7        | <b>H212 - 41400 - 077M1</b> |
| Main/Emergency-Off Switches  | 3     | H200-C        | 20                                 | 5,5                           | 3,7        | <b>H212 - 41300 - 077M4</b> |
| OFF position padlockable 09h | 4     | H200-C        | 20                                 | 5,5                           | 3,7        | <b>H212 - 41400 - 077M4</b> |

SMD modules for basic switch EA

Enclosure module, mounting form 077M1  
Enclosure module, mounting form 077M4

H200-C  
H200-C

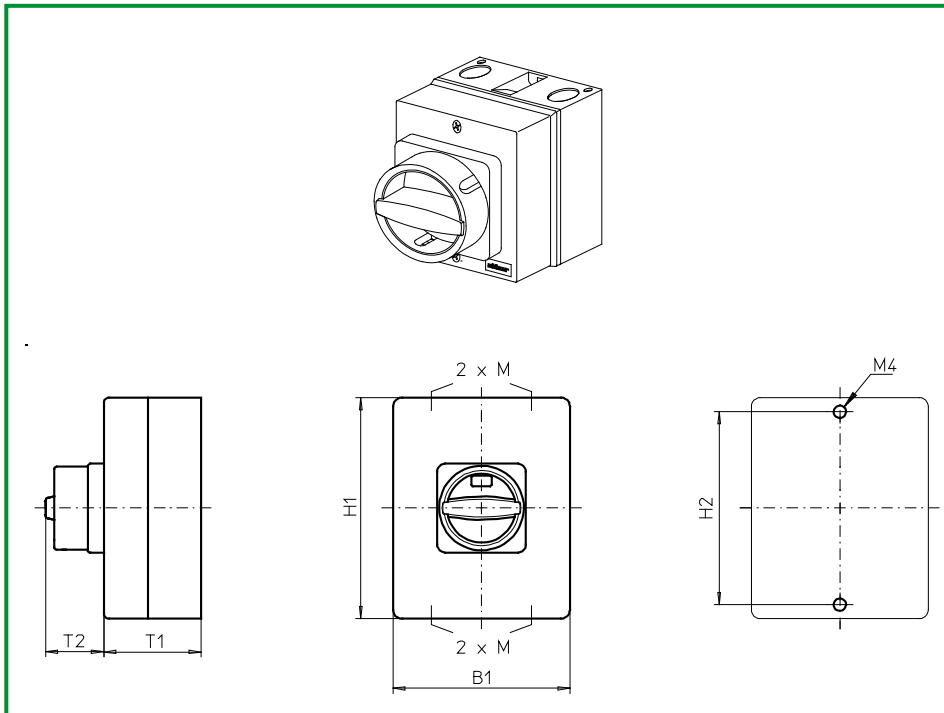
**PAX2 - 077M1**  
**PAX2 - 077M4**

## Dimensions (mm)

| Product line | H1  | B1 | T1 | T2 | 2xM | H2 |
|--------------|-----|----|----|----|-----|----|
| H200-C       | 100 | 80 | 65 | 38 | 20  | 90 |

# Enclosed Switches

**sälzer**



**Product line  
H200-C**

**Enclosed switch**

**Insulated enclosure**

100 × 80 × 65 mm

without cover interlock

with N/PE connection link

**Cable entries**

4 × M20

**077N1 (IP66)**

**077N4 (IP66)**

| Complete switch                       | Poles     | Product lines | Rated data (IEC 60947)             |                               |            | Order code number           |
|---------------------------------------|-----------|---------------|------------------------------------|-------------------------------|------------|-----------------------------|
|                                       |           |               | Operational current I <sub>e</sub> | Operational power at 380–440V |            |                             |
|                                       |           |               | AC-21A<br>A                        | AC-23A<br>kW                  | AC-3<br>kW |                             |
| Main Switches                         | 3         | H200-C        | 20                                 | 5,5                           | 3,7        | <b>H212 - 41300 - 077N1</b> |
| OFF position padlockable 12h          | 4         | H200-C        | 20                                 | 5,5                           | 3,7        | <b>H212 - 41400 - 077N1</b> |
| Main/Emergency-Off Switches           | 3         | H200-C        | 20                                 | 5,5                           | 3,7        | <b>H212 - 41300 - 077N4</b> |
| OFF position padlockable 12h          | 4         | H200-C        | 20                                 | 5,5                           | 3,7        | <b>H212 - 41400 - 077N4</b> |
| SMD modules for basic switch EA       |           |               |                                    |                               |            |                             |
| Enclosure module, mounting form 077N1 |           |               | H200-C                             |                               |            | <b>PAX2 - 077N1</b>         |
| Enclosure module, mounting form 077N4 |           |               | H200-C                             |                               |            | <b>PAX2 - 077N4</b>         |
| <b>Dimensions (mm)</b>                |           |               |                                    |                               |            |                             |
| <b>Product line</b>                   | <b>H1</b> | <b>B1</b>     | <b>T1</b>                          | <b>T2</b>                     | <b>2xM</b> | <b>H2</b>                   |
| H200-C                                | 100       | 80            | 65                                 | 33                            | 20         | 90                          |



# Enclosed Switches

# sälzer

**Product line**  
**H200-C**

**Enclosed switch**

**Insulated enclosure**

100 × 80 × 65 mm

without cover interlock

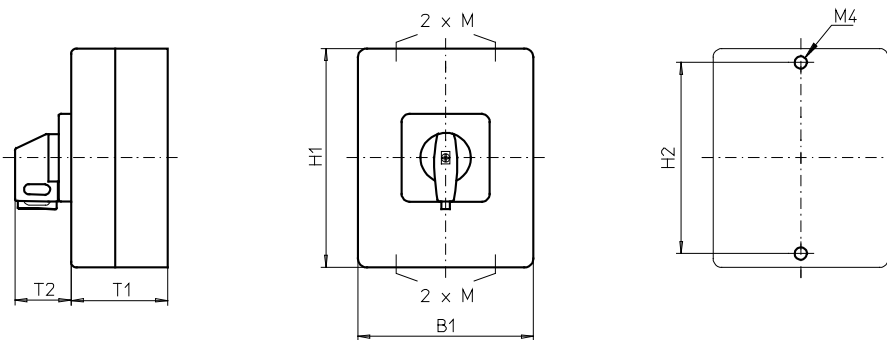
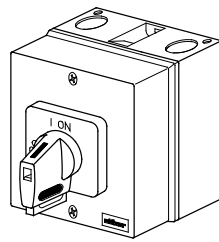
with N/PE connection link

**Cable entries**

4 × M20

**077V1** (IP66)

**077V4** (IP66)



| Complete switch              | Poles | Product lines | Rated data (IEC 60947)             |                               |            | Order code number           |
|------------------------------|-------|---------------|------------------------------------|-------------------------------|------------|-----------------------------|
|                              |       |               | Operational current I <sub>e</sub> | Operational power at 380–440V |            |                             |
|                              |       |               | AC-21A<br>A                        | AC-23A<br>kW                  | AC-3<br>kW |                             |
| Main Switches                | 3     | H200-C        | 20                                 | 5,5                           | 3,7        | <b>H212 - 41300 - 077V1</b> |
| OFF position padlockable 09h | 4     | H200-C        | 20                                 | 5,5                           | 3,7        | <b>H212 - 41400 - 077V1</b> |
| Main/Emergency-Off Switches  | 3     | H200-C        | 20                                 | 5,5                           | 3,7        | <b>H212 - 41300 - 077V4</b> |
| OFF position padlockable 09h | 4     | H200-C        | 20                                 | 5,5                           | 3,7        | <b>H212 - 41400 - 077V4</b> |

SMD modules for basic switch EA

Enclosure module, mounting form 077V1  
Enclosure module, mounting form 077V4

H200-C  
H200-C

**PAM2 - 077V1**  
**PAM2 - 077V4**

Legend plate silver, enclosure module 077V1  
Legend plate yellow, enclosure module 077V4

H200-C  
H200-C

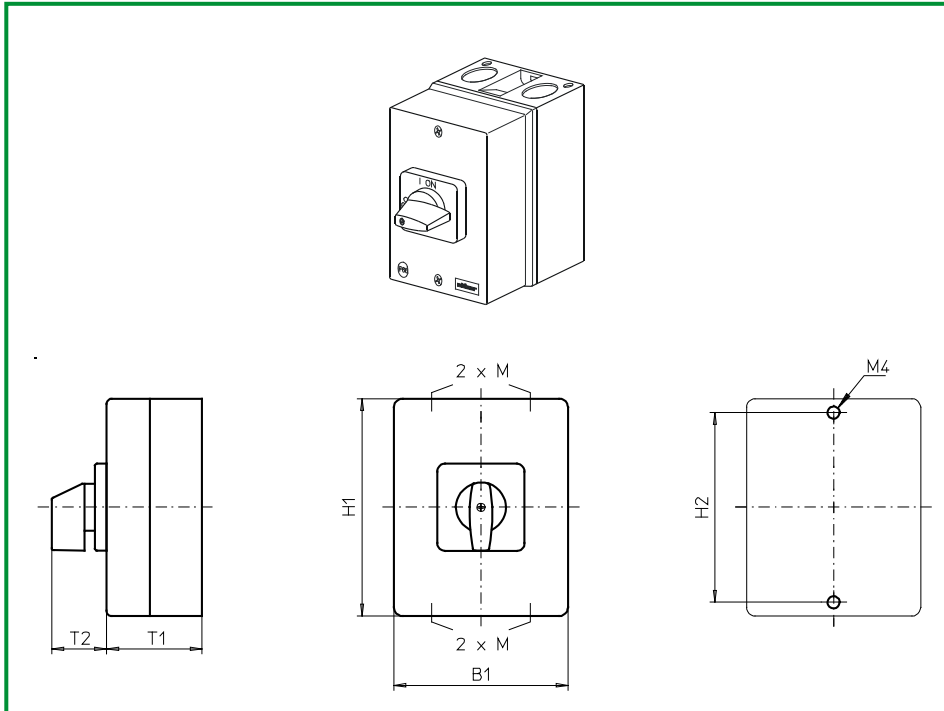
**FAS2 - 9...** (FA number)  
**FBS2 - 9...** (FA number)

**Dimensions (mm)**

| Product line | H1  | B1 | T1 | T2 | 2xM | H2 |
|--------------|-----|----|----|----|-----|----|
| H200-C       | 100 | 80 | 65 | 32 | 20  | 90 |

# Enclosed Switches

# sälzer



**Product line**  
**H200-A**

**Enclosed switch**

**Insulated enclosure**  
125 × 100 × 85 mm

with cover interlock  
in ON position  
with N/PE connection link

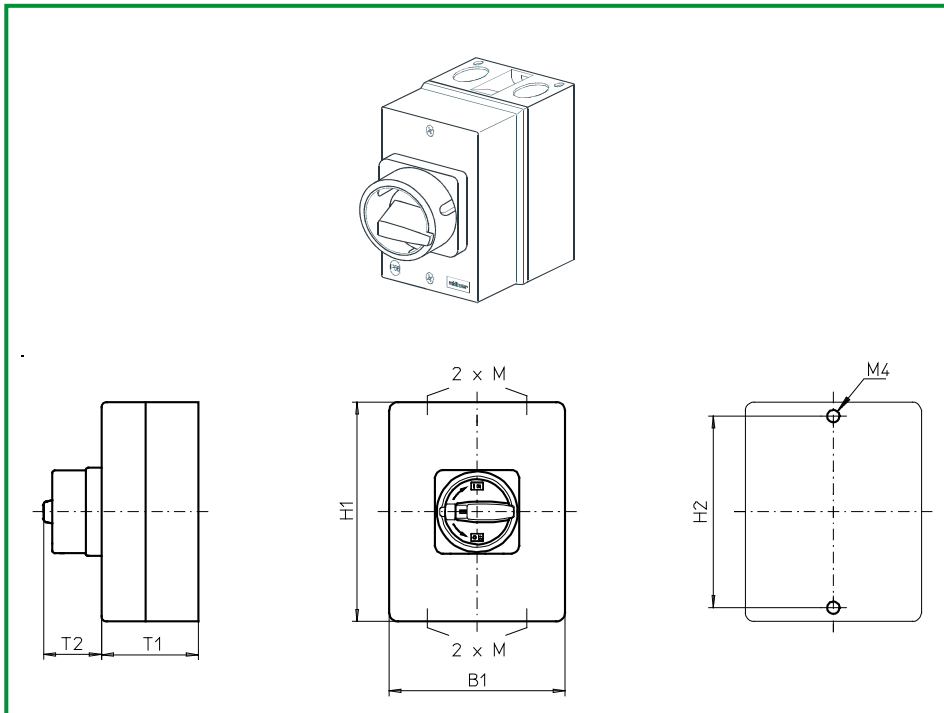
**Cable entries**  
4 × M20/M25

**701M1** (IP66)

| Complete switch                             | Poles     | Product lines | Rated data (IEC 60947)             |                               |            | Order code number              |
|---|-----------|---------------|------------------------------------|-------------------------------|------------|--------------------------------|
|   |           |               | Operational current I <sub>e</sub> | Operational power at 380–440V |            |                                |
|   |           |               | AC-21A<br>A                        | AC-23A<br>kW                  | AC-3<br>kW |                                |
| ON-OFF Switches<br>Switching angle 90°      | 3 ... 4   | H200-A        | 20                                 | 5,5                           | 3,7        | <b>H216 - 41 ... - 701M1</b>   |
|   |           |               | 25                                 | 7,5                           | 5,5        | <b>H220 - 41 ... - 701M1</b>   |
|   |           |               | 32                                 | 11                            | 7,5        | <b>H226 - 41 ... - 701M1</b>   |
| <b>SMD modules for basic switch A02</b>     |           |               |                                    |                               |            |                                |
| Mounting form module for 701M1              |           |               |                                    | H200-A                        |            | <b>BFA2 - E7</b>               |
| Enclosure module, mounting form 701M1       |           |               |                                    | H200-A                        |            | <b>PAH2 - 701M1</b>            |
| Legend plate silver, enclosure module 701M1 |           |               |                                    | H200-A                        |            | <b>FAS2 - 9...</b> (FA number) |
| <b>Dimensions (mm)</b>                      |           |               |                                    |                               |            |                                |
| <b>Product line</b>                         | <b>H1</b> | <b>B1</b>     | <b>T1</b>                          | <b>T2</b>                     | <b>2xM</b> | <b>H2</b>                      |
| H200-A                                      | 125       | 100           | 85                                 | 32                            | 20/25      | 115                            |

# Enclosed Switches

**sälzer**



**Product line  
H200-A**

**Enclosed switch**

**Insulated enclosure**  
125 × 100 × 85 mm

with cover interlock  
in ON position

with N/PE connection link

**Cable entries**  
4 × M20/M25

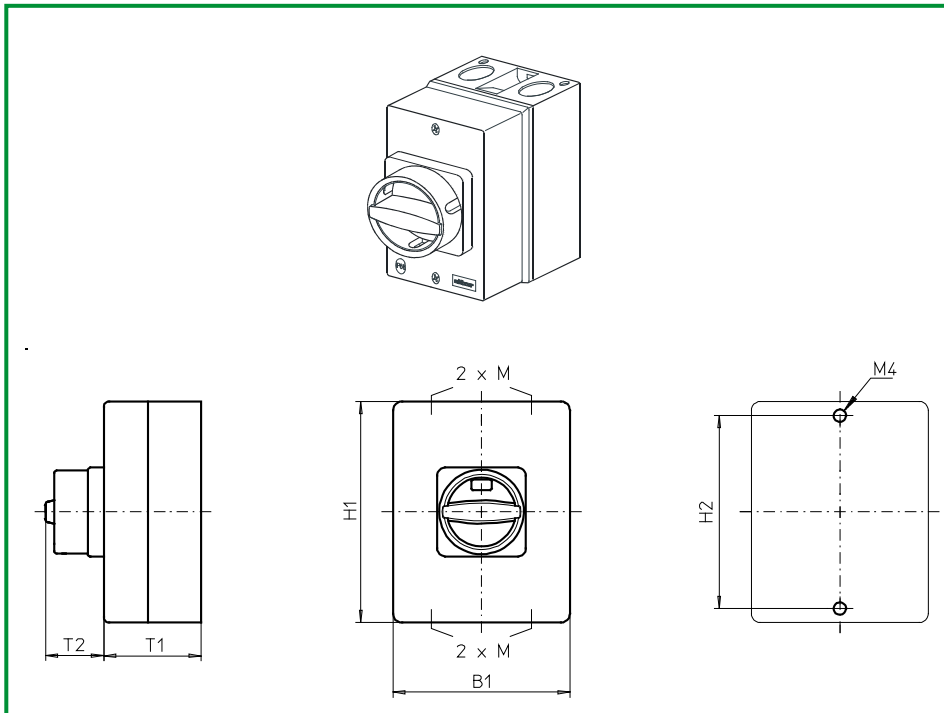
**700M1** (IP66)

**700M4** (IP66)

| Complete switch   | Poles     | Product lines | Rated data (IEC 60947)             |                               |            | Order code number            |
|---|-----------|---------------|------------------------------------|-------------------------------|------------|------------------------------|
|   |           |               | Operational current I <sub>e</sub> | Operational power at 380–440V |            |                              |
|   |           |               | AC-21A<br>A                        | AC-23A<br>kW                  | AC-3<br>kW |                              |
| Main Switches<br>OFF position padlockable 09h               | 3 ... 4   | H200-A        | 20                                 | 5,5                           | 3,7        | <b>H216 - 41 ... - 700M1</b> |
|   |           |               | 25                                 | 7,5                           | 5,5        | <b>H220 - 41 ... - 700M1</b> |
|   |           |               | 32                                 | 11                            | 7,5        | <b>H226 - 41 ... - 700M1</b> |
| Main/Emergency-Off Switches<br>OFF position padlockable 09h | 3 ... 4   | H200-A        | 20                                 | 5,5                           | 3,7        | <b>H216 - 41 ... - 700M4</b> |
|   |           |               | 25                                 | 7,5                           | 5,5        | <b>H220 - 41 ... - 700M4</b> |
|   |           |               | 32                                 | 11                            | 7,5        | <b>H226 - 41 ... - 700M4</b> |
| <b>SMD modules for basic switch A02</b>                     |           |               |                                    |                               |            |                              |
| Mounting form module for 700M1/700M4                        |           |               | H200-A                             |                               |            | <b>BFA2 - E7</b>             |
| Enclosure module, mounting form 700M1                       |           |               | H200-A                             |                               |            | <b>PAH2 - 700M1</b>          |
| Enclosure module, mounting form 700M4                       |           |               | H200-A                             |                               |            | <b>PAH2 - 700M4</b>          |
| <b>Dimensions (mm)</b>                                      |           |               |                                    |                               |            |                              |
| <b>Product line</b>   | <b>H1</b> | <b>B1</b>     | <b>T1</b>                          | <b>T2</b>                     | <b>2xM</b> | <b>H2</b>                    |
| H200-A  | 125       | 100           | 85                                 | 38                            | 20/25      | 115                          |

# Enclosed Switches

**sälzer**



**Product line**  
**H200-A**

**Enclosed switch**

**Insulated enclosure**  
125 × 100 × 85 mm

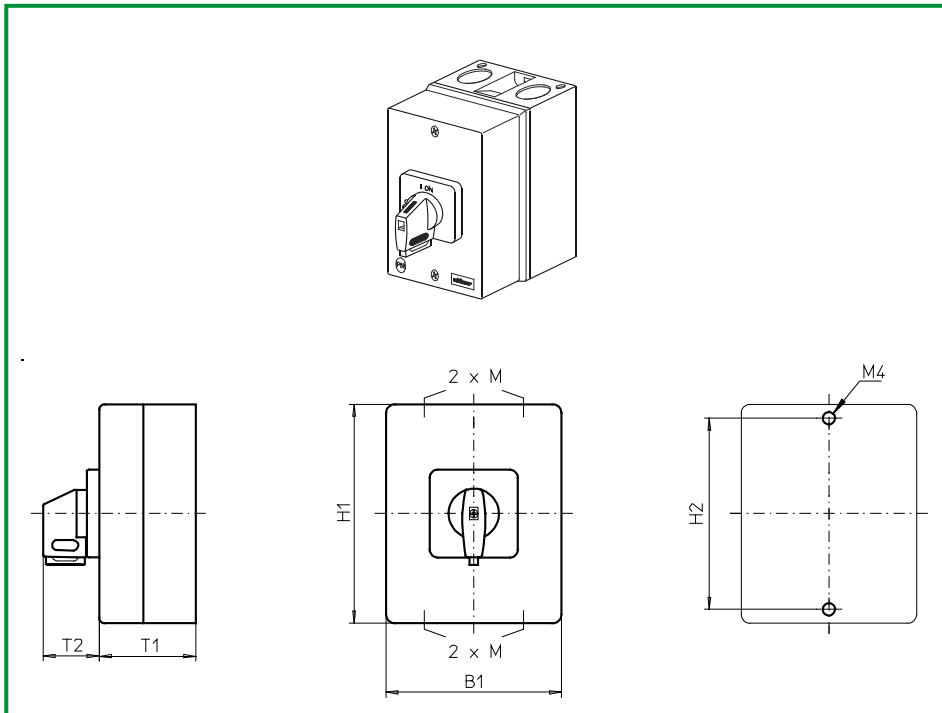
with cover interlock  
in ON position  
with N/PE connection link

**Cable entries**  
4 × M20/M25  
**700N1** (IP66)  
**700N4** (IP66)

| Complete switch   | Poles     | Product lines | Rated data (IEC 60947)             |                               |            | Order code number            |
|---|-----------|---------------|------------------------------------|-------------------------------|------------|------------------------------|
|   |           |               | Operational current I <sub>e</sub> | Operational power at 380–440V |            |                              |
|   |           |               | AC-21A<br>A                        | AC-23A<br>kW                  | AC-3<br>kW |                              |
| Main Switches<br>OFF position padlockable 12h               | 3 ... 4   | H200-A        | 20                                 | 5,5                           | 3,7        | <b>H216 - 41 ... - 700N1</b> |
|   |           |               | 25                                 | 7,5                           | 5,5        | <b>H220 - 41 ... - 700N1</b> |
|   |           |               | 32                                 | 11                            | 7,5        | <b>H226 - 41 ... - 700N1</b> |
| Main/Emergency-Off Switches<br>OFF position padlockable 12h | 3 ... 4   | H200-A        | 20                                 | 5,5                           | 3,7        | <b>H216 - 41 ... - 700N4</b> |
|   |           |               | 25                                 | 7,5                           | 5,5        | <b>H220 - 41 ... - 700N4</b> |
|   |           |               | 32                                 | 11                            | 7,5        | <b>H226 - 41 ... - 700N4</b> |
| <b>SMD modules for basic switch A02</b>                     |           |               |                                    |                               |            |                              |
| Mounting form module for 700N1/700N4                        |           |               | H200-A                             |                               |            | <b>BFA2 - E7</b>             |
| Enclosure module, mounting form 700N1                       |           |               | H200-A                             |                               |            | <b>PAH2 - 700N1</b>          |
| Enclosure module, mounting form 700N4                       |           |               | H200-A                             |                               |            | <b>PAH2 - 700N4</b>          |
| <b>Dimensions (mm)</b>                                      |           |               |                                    |                               |            |                              |
| <b>Product line</b>   | <b>H1</b> | <b>B1</b>     | <b>T1</b>                          | <b>T2</b>                     | <b>2xM</b> | <b>H2</b>                    |
| H200-A  | 125       | 100           | 85                                 | 33                            | 20/25      | 115                          |

# Enclosed Switches

# sälzer



**Product line**  
**H200-A**

**Enclosed switch**

**Insulated enclosure**  
125 × 100 × 85 mm

with cover interlock  
in ON position

with N/PE connection link

**Cable entries**

4 × M20/M25

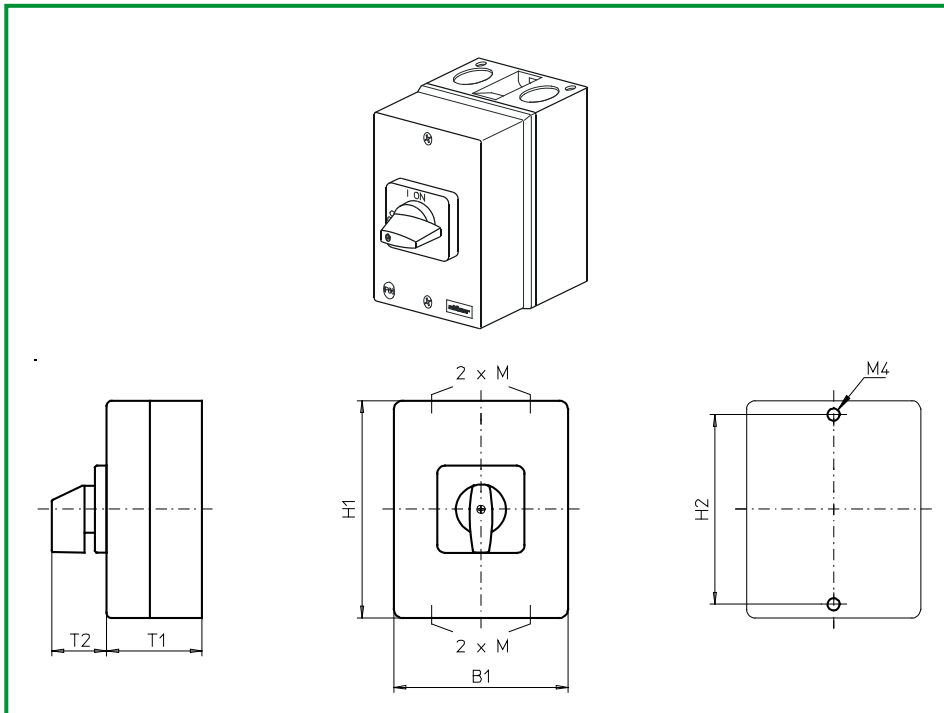
**700V1** (IP66)

**700V4** (IP66)

| Complete switch   | Poles     | Product lines | Rated data (IEC 60947)             |                               |            | Order code number              |
|---|-----------|---------------|------------------------------------|-------------------------------|------------|--------------------------------|
|   |           |               | Operational current I <sub>e</sub> | Operational power at 380–440V |            |                                |
|   |           |               | AC-21A<br>A                        | AC-23A<br>kW                  | AC-3<br>kW |                                |
| Main Switches<br>OFF position padlockable 09h               | 3 ... 4   | H200-A        | 20                                 | 5,5                           | 3,7        | <b>H216 - 41 ... - 700V1</b>   |
|   |           |               | 25                                 | 7,5                           | 5,5        | <b>H220 - 41 ... - 700V1</b>   |
|   |           |               | 32                                 | 11                            | 7,5        | <b>H226 - 41 ... - 700V1</b>   |
| Main/Emergency-Off Switches<br>OFF position padlockable 09h | 3 ... 4   | H200-A        | 20                                 | 5,5                           | 3,7        | <b>H216 - 41 ... - 700V4</b>   |
|   |           |               | 25                                 | 7,5                           | 5,5        | <b>H220 - 41 ... - 700V4</b>   |
|   |           |               | 32                                 | 11                            | 7,5        | <b>H226 - 41 ... - 700V4</b>   |
| <b>SMD modules for basic switch A02</b>                     |           |               |                                    |                               |            |                                |
| Mounting form module for 700M1/700M4                        |           |               | H200-A                             |                               |            | <b>BFA2 - E7</b>               |
| Enclosure module, mounting form 700V1                       |           |               | H200-A                             |                               |            | <b>PAH2 - 700V1</b>            |
| Enclosure module, mounting form 700V4                       |           |               | H200-A                             |                               |            | <b>PAH2 - 700V4</b>            |
| Legend plate silver, enclosure module 700V1                 |           |               | H200-A                             |                               |            | <b>FAS2 - 9...</b> (FA number) |
| Legend plate yellow, enclosure module 700V4                 |           |               | H200-A                             |                               |            | <b>FBS2 - 9...</b> (FA number) |
| <b>Dimensions (mm)</b>                                      |           |               |                                    |                               |            |                                |
| <b>Product line</b>   | <b>H1</b> | <b>B1</b>     | <b>T1</b>                          | <b>T2</b>                     | <b>2xM</b> | <b>H2</b>                      |
| H200-A  | 125       | 100           | 85                                 | 32                            | 20/25      | 115                            |

# Enclosed Switches

# sälzer



**Product lines**  
H200-A/-B

**Enclosed switch**

**Insulated enclosure**  
175 x 115 x 100 mm

with cover interlock  
in ON position

with N/PE connection link

**Cable entries**  
4 x M20/M25

**711M1**  
(IP66)

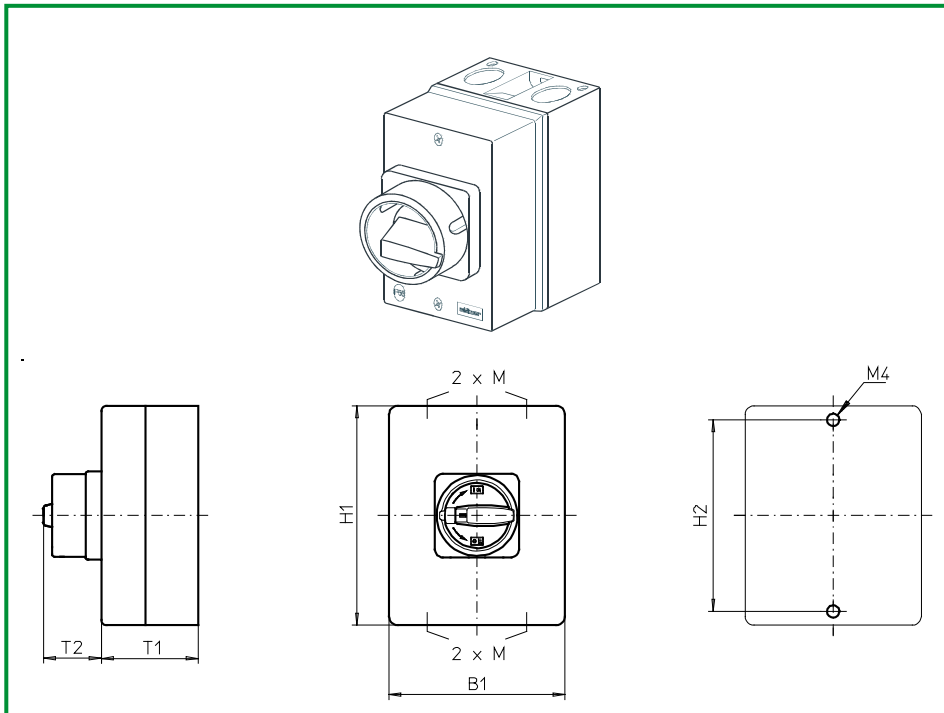
| Complete switch                        | Poles   | Product lines | Rated data (IEC 60947)    |                               |            | Order code number            |
|--|---------|---------------|---------------------------|-------------------------------|------------|------------------------------|
|  |         |               | Operational current $I_e$ | Operational power at 380–440V |            |                              |
|  |         |               | AC-21A<br>A               | AC-23A<br>kW                  | AC-3<br>kW |                              |
| ON-OFF Switches<br>Switching angle 90° | 3 ... 4 | H200-A        | 20                        | 5,5                           | 3,7        | <b>H216 - 41 ... - 711M1</b> |
|  |         |               | 25                        | 7,5                           | 5,5        | <b>H220 - 41 ... - 711M1</b> |
|  |         |               | 32                        | 11                            | 7,5        | <b>H226 - 41 ... - 711M1</b> |
|  | 3 ... 4 | H200-B        | 40                        | 15                            | 11         | <b>H233 - 41 ... - 711M1</b> |
|  |         |               | 63                        | 22                            | 18,5       | <b>H263 - 41 ... - 711M1</b> |

| SMD modules for basic switch A02            |           |                                |
|---|-----------|--------------------------------|
| Mounting form module for 711M1              | H200-A    | <b>BFA2 - E7</b>               |
| Mounting form module for 711M1              | H200-B    | <b>BFB2 - E7</b>               |
| Enclosure module, mounting form 711M1       | H200-A/-B | <b>PAH2 - 711M1</b>            |
| Legend plate silver, enclosure module 711M1 | H200-A/-B | <b>FAS4 - 9...</b> (FA number) |

| Dimensions (mm) |     |     |     |    |       |     |
|-----------------|-----|-----|-----|----|-------|-----|
| Product lines   | H1  | B1  | T1  | T2 | 2xM   | H2  |
| H200-A          | 175 | 115 | 100 | 39 | 20/25 | 165 |
| H200-B          | 175 | 115 | 100 | 39 | 20/25 | 165 |

# Enclosed Switches

**sälzer**



**Product lines**  
**H200-A/-B**

**Enclosed switch**

**Insulated enclosure**  
175 x 115 x 100 mm

with cover interlock  
in ON position

with N/PE connection link

**Cable entries**

4 x M20/M25

**710M1** (IP66)

**710M4** (IP66)

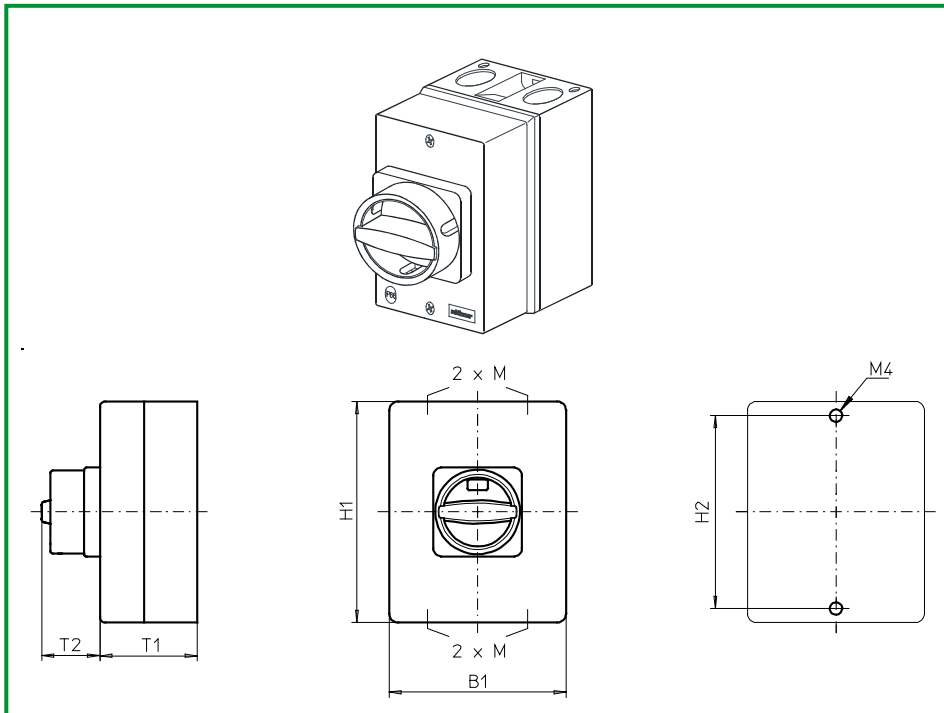
| Complete switch   | Poles   | Product lines | Rated data (IEC 60947)             |                               |            | Order code number            |
|---|---------|---------------|------------------------------------|-------------------------------|------------|------------------------------|
|   |         |               | Operational current I <sub>e</sub> | Operational power at 380–440V |            |                              |
|   |         |               | AC-21A<br>A                        | AC-23A<br>kW                  | AC-3<br>kW |                              |
| Main Switches<br>OFF position padlockable 09h               | 3 ... 4 | H200-A        | 20                                 | 5,5                           | 3,7        | <b>H216 - 41 ... - 710M1</b> |
|   |         |               | 25                                 | 7,5                           | 5,5        | <b>H220 - 41 ... - 710M1</b> |
|   |         |               | 32                                 | 11                            | 7,5        | <b>H226 - 41 ... - 710M1</b> |
|   |         |               | 40                                 | 15                            | 11         | <b>H233 - 41 ... - 710M1</b> |
|   |         |               | 63                                 | 22                            | 18,5       | <b>H263 - 41 ... - 710M1</b> |
| Main/Emergency-Off Switches<br>OFF position padlockable 09h | 3 ... 4 | H200-A        | 20                                 | 5,5                           | 3,7        | <b>H216 - 41 ... - 710M4</b> |
|   |         |               | 25                                 | 7,5                           | 5,5        | <b>H220 - 41 ... - 710M4</b> |
|   |         |               | 32                                 | 11                            | 7,5        | <b>H226 - 41 ... - 710M4</b> |
|   |         |               | 40                                 | 15                            | 11         | <b>H233 - 41 ... - 710M4</b> |
|   |         |               | 63                                 | 22                            | 18,5       | <b>H263 - 41 ... - 710M4</b> |
|   | 3 ... 4 | H200-B        |                                    |                               |            |                              |

| SMD modules for basic switch A02      |           |                     |
|---------------------------------------|-----------|---------------------|
| Mounting form module for 710M1/710M4  | H200-A    | <b>BFA2 - E7</b>    |
| Mounting form module for 710M1/710M4  | H200-B    | <b>BFB2 - E7</b>    |
| Enclosure module, mounting form 710M1 | H200-A/-B | <b>PAH2 - 710M1</b> |
| Enclosure module, mounting form 710M4 | H200-A/-B | <b>PAH2 - 710M4</b> |

| Dimensions (mm) |     |     |     |    |       |     |
|-----------------|-----|-----|-----|----|-------|-----|
| Product lines   | H1  | B1  | T1  | T2 | 2xM   | H2  |
| H200-A          | 175 | 115 | 100 | 38 | 20/25 | 165 |
| H200-B          | 175 | 115 | 100 | 38 | 20/25 | 165 |

# Enclosed Switches

**sälzer**



**Product lines**  
**H200-A/-B**

**Enclosed switch**

**Insulated enclosure**  
175 x 115 x 100 mm

with cover interlock  
in ON position

with N/PE connection link

**Cable entries**

4 x M20/M25

**710N1** (IP66)

**710N4** (IP66)

| Complete switch   | Poles   | Product lines | Rated data (IEC 60947)             |                               |            | Order code number            |
|---|---------|---------------|------------------------------------|-------------------------------|------------|------------------------------|
|   |         |               | Operational current I <sub>e</sub> | Operational power at 380–440V |            |                              |
|   |         |               | AC-21A<br>A                        | AC-23A<br>kW                  | AC-3<br>kW |                              |
| Main Switches<br>OFF position padlockable 12h               | 3 ... 4 | H200-A        | 20                                 | 5,5                           | 3,7        | <b>H216 - 41 ... - 710N1</b> |
|   |         |               | 25                                 | 7,5                           | 5,5        | <b>H220 - 41 ... - 710N1</b> |
|   |         |               | 32                                 | 11                            | 7,5        | <b>H226 - 41 ... - 710N1</b> |
|   |         |               | 40                                 | 15                            | 11         | <b>H233 - 41 ... - 710N1</b> |
|   | 3 ... 4 | H200-B        | 63                                 | 22                            | 18,5       | <b>H263 - 41 ... - 710N1</b> |
| Main/Emergency-Off Switches<br>OFF position padlockable 12h | 3 ... 4 | H200-A        | 20                                 | 5,5                           | 3,7        | <b>H216 - 41 ... - 710N4</b> |
|   |         |               | 25                                 | 7,5                           | 5,5        | <b>H220 - 41 ... - 710N4</b> |
|   |         |               | 32                                 | 11                            | 7,5        | <b>H226 - 41 ... - 710N4</b> |
|   |         |               | 40                                 | 15                            | 11         | <b>H233 - 41 ... - 710N4</b> |
|   | 3 ... 4 | H200-B        | 63                                 | 22                            | 18,5       | <b>H263 - 41 ... - 710N4</b> |

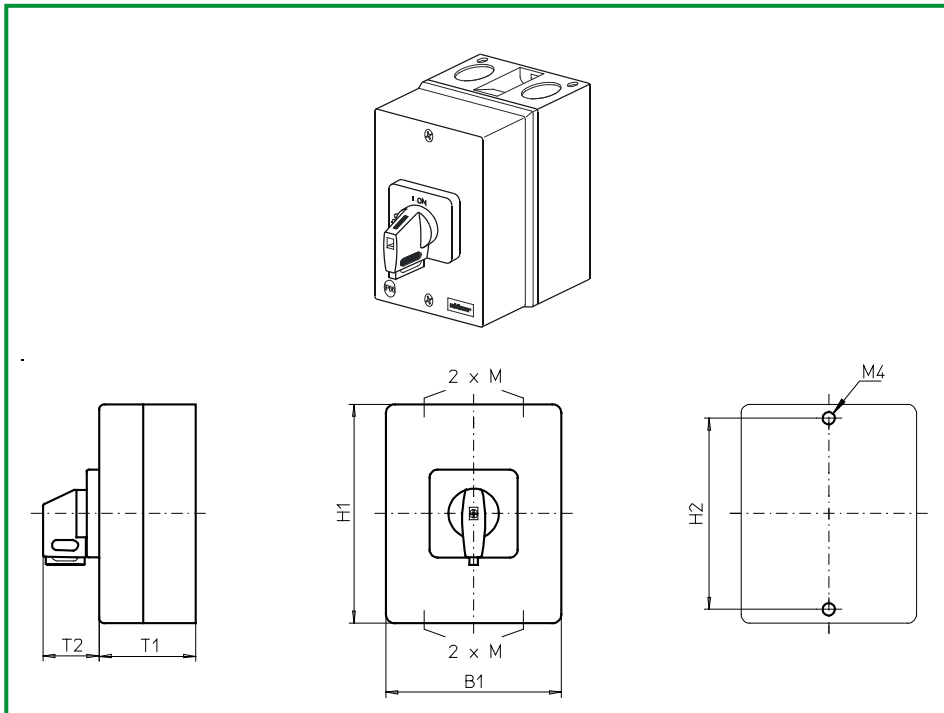
| SMD modules for basic switch A02      |           |                     |
|---------------------------------------|-----------|---------------------|
| Mounting form module for 710N1/710N4  | H200-A    | <b>BFA2 - E7</b>    |
| Mounting form module for 710N1/710N4  | H200-B    | <b>BFB2 - E7</b>    |
| Enclosure module, mounting form 710N1 | H200-A/-B | <b>PAH2 - 710N1</b> |
| Enclosure module, mounting form 710N4 | H200-A/-B | <b>PAH2 - 710N4</b> |

| Dimensions (mm) |     |     |     |    |       |     |
|-----------------|-----|-----|-----|----|-------|-----|
| Product lines   | H1  | B1  | T1  | T2 | 2xM   | H2  |
| H200-A          | 175 | 115 | 100 | 33 | 20/25 | 165 |
| H200-B          | 175 | 115 | 100 | 33 | 20/25 | 165 |



# Enclosed Switches

# sälzer



**Product lines**  
**H200-A/-B**

**Enclosed switch**

**Insulated enclosure**

175 x 115 x 100 mm

with cover interlock  
in ON position

with N/PE connection link

**Cable entries**

4 x M20/M25

**710V1** (IP66)

**710V4** (IP66)

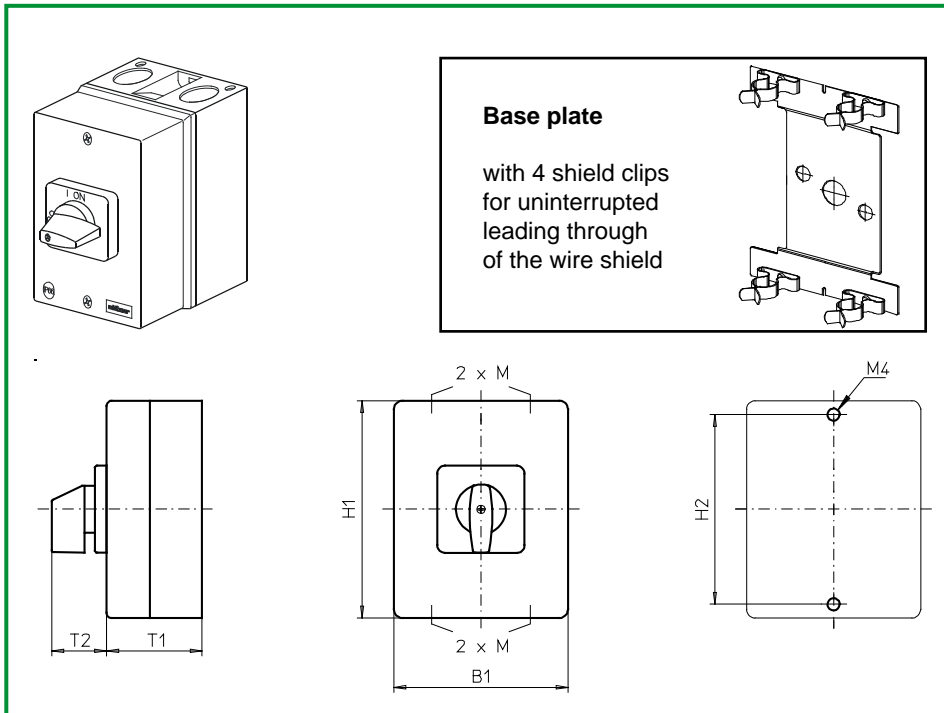
| Complete switch   | Poles   | Product lines | Rated data (IEC 60947)             |                               |            | Order code number            |
|---|---------|---------------|------------------------------------|-------------------------------|------------|------------------------------|
|   |         |               | Operational current I <sub>e</sub> | Operational power at 380–440V |            |                              |
|   |         |               | AC-21A<br>A                        | AC-23A<br>kW                  | AC-3<br>kW |                              |
| Main Switches<br>OFF position padlockable 09h               | 3 ... 4 | H200-A        | 20                                 | 5,5                           | 3,7        | <b>H216 - 41 ... - 710V1</b> |
|   |         |               | 25                                 | 7,5                           | 5,5        | <b>H220 - 41 ... - 710V1</b> |
|   |         |               | 32                                 | 11                            | 7,5        | <b>H226 - 41 ... - 710V1</b> |
|   |         |               | 40                                 | 15                            | 11         | <b>H233 - 41 ... - 710V1</b> |
|   |         |               | 63                                 | 22                            | 18,5       | <b>H263 - 41 ... - 710V1</b> |
| Main/Emergency-Off Switches<br>OFF position padlockable 09h | 3 ... 4 | H200-A        | 20                                 | 5,5                           | 3,7        | <b>H216 - 41 ... - 710V4</b> |
|   |         |               | 25                                 | 7,5                           | 5,5        | <b>H220 - 41 ... - 710V4</b> |
|   |         |               | 32                                 | 11                            | 7,5        | <b>H226 - 41 ... - 710V4</b> |
|   |         |               | 40                                 | 15                            | 11         | <b>H233 - 41 ... - 710V4</b> |
|   |         |               | 63                                 | 22                            | 18,5       | <b>H263 - 41 ... - 710V4</b> |
|   | 3 ... 4 | H200-B        |                                    |                               |            |                              |

| SMD modules for basic switch A02            |           |                                |
|---|-----------|--------------------------------|
| Mounting form module for 710V1/710V4        | H200-A    | <b>BFA2 - E7</b>               |
| Mounting form module for 710V1/710V4        | H200-B    | <b>BFB2 - E7</b>               |
| Enclosure module, mounting form 710V1       | H200-A/-B | <b>PAH2 - 710V1</b>            |
| Enclosure module, mounting form 710V4       | H200-A/-B | <b>PAH2 - 710V4</b>            |
| Legend plate silver, enclosure module 710V1 | H200-A/-B | <b>FAS4 - 9...</b> (FA number) |
| Legend plate yellow, enclosure module 710V4 | H200-A/-B | <b>FBS4 - 9...</b> (FA number) |

| Dimensions (mm) |     |     |     |    |       |     |
|-----------------|-----|-----|-----|----|-------|-----|
| Product lines   | H1  | B1  | T1  | T2 | 2xM   | H2  |
| H200-A          | 175 | 115 | 100 | 39 | 20/25 | 165 |
| H200-B          | 175 | 115 | 100 | 39 | 20/25 | 165 |

# Enclosed Switches

# sälzer



**Product lines**  
**H200-A/-B**

**Insulated enclosure**  
175 x 115 x 100 mm

with cover interlock  
in ON position

with N/PE connection link

Uninterrupted leading  
through of the wire shield

**Cable entries**

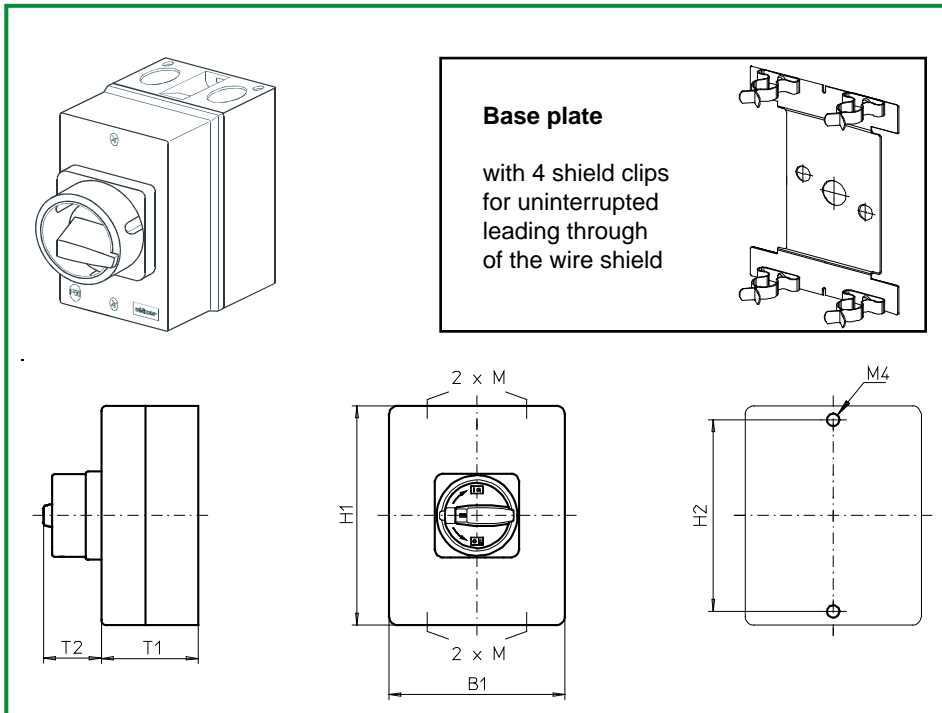
4 x M20/M25

4 x SKL Shield clip  
for shield diameter 12–16 mm

**716M1** (IP66)

| Complete switch                             | Poles     | Product lines | Rated data (IEC 60947)             |                               |            | Order code number              |
|---|-----------|---------------|------------------------------------|-------------------------------|------------|--------------------------------|
|   |           |               | Operational current I <sub>e</sub> | Operational power at 380–440V |            |                                |
|   |           |               | AC-21A<br>A                        | AC-23A<br>kW                  | AC-3<br>kW |                                |
| ON-OFF Switches<br>Switching angle 90°      | 3 ... 4   | H200-A        | 20                                 | 5,5                           | 3,7        | <b>H216 - 41 ... - 716M1</b>   |
|   |           |               | 25                                 | 7,5                           | 5,5        | <b>H220 - 41 ... - 716M1</b>   |
|   |           |               | 32                                 | 11                            | 7,5        | <b>H226 - 41 ... - 716M1</b>   |
|   |           |               | 40                                 | 15                            | 11         | <b>H233 - 41 ... - 716M1</b>   |
|   |           |               | 63                                 | 22                            | 18,5       | <b>H263 - 41 ... - 716M1</b>   |
|   | 3 ... 4   | H200-B        |                                    |                               |            |                                |
| <b>SMD modules for basic switch A02</b>     |           |               |                                    |                               |            |                                |
| Mounting form module for 716M1              |           |               | H200-A                             |                               |            | <b>BFA2 - E7</b>               |
| Mounting form module for 716M1              |           |               | H200-B                             |                               |            | <b>BFB2 - E7</b>               |
| Enclosure module, mounting form 716M1       |           |               | H200-A/-B                          |                               |            | <b>PAH2 - 716M1</b>            |
| Legend plate silver, enclosure module 716M1 |           |               | H200-A/-B                          |                               |            | <b>FAS4 - 9...</b> (FA number) |
| <b>Dimensions (mm)</b>                      |           |               |                                    |                               |            |                                |
| <b>Product lines</b>                        | <b>H1</b> | <b>B1</b>     | <b>T1</b>                          | <b>T2</b>                     | <b>2xM</b> | <b>H2</b>                      |
| H200-A                                      | 175       | 115           | 100                                | 39                            | 20/25      | 165                            |
| H200-B                                      | 175       | 115           | 100                                | 39                            | 20/25      | 165                            |

# Enclosed Switches



## Product lines H200-A/-B

### Insulated enclosure 175 x 115 x 100 mm

with cover interlock  
in ON position

with N/PE connection link

Uninterrupted leading  
through of the wire shield

### Cable entries

4 x M20/M25

4 x SKL Shield clip  
for shield diameter 12–16 mm

**715M1** (IP66)

**715M4** (IP66)

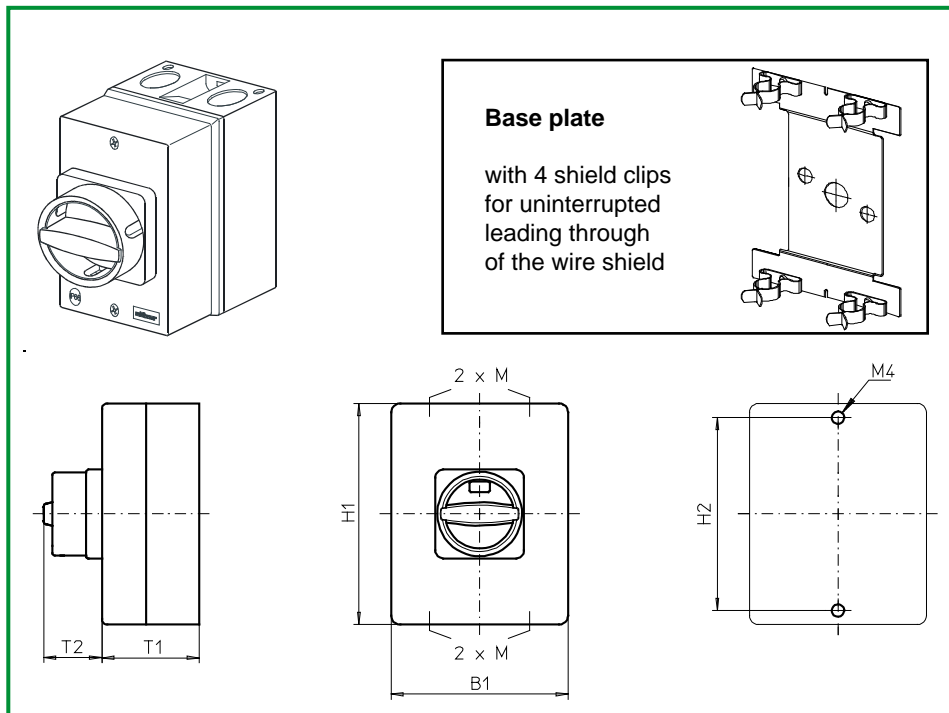
| Complete switch   | Poles   | Product lines | Rated data (IEC 60947)    |                               |                              | Order code number            |
|---|---------|---------------|---------------------------|-------------------------------|------------------------------|------------------------------|
|   |         |               | Operational current $I_e$ | Operational power at 380–440V |                              |                              |
|   |         |               | AC-21A<br>A               | AC-23A<br>kW                  | AC-3<br>kW                   |                              |
| Main Switches<br>OFF position padlockable 09h               | 3 ... 4 | H200-A        | 20                        | 5,5                           | 3,7                          | <b>H216 - 41 ... - 715M1</b> |
|   |         |               | 25                        | 7,5                           | 5,5                          | <b>H220 - 41 ... - 715M1</b> |
|   |         |               | 32                        | 11                            | 7,5                          | <b>H226 - 41 ... - 715M1</b> |
|   |         |               | 40                        | 15                            | 11                           | <b>H233 - 41 ... - 715M1</b> |
|   |         |               | 63                        | 22                            | 18,5                         | <b>H263 - 41 ... - 715M1</b> |
| Main/Emergency-Off Switches<br>OFF position padlockable 09h | 3 ... 4 | H200-A        | 20                        | 5,5                           | 3,7                          | <b>H216 - 41 ... - 715M4</b> |
|   |         |               | 25                        | 7,5                           | 5,5                          | <b>H220 - 41 ... - 715M4</b> |
|   |         |               | 32                        | 11                            | 7,5                          | <b>H226 - 41 ... - 715M4</b> |
|   |         |               | 40                        | 15                            | 11                           | <b>H233 - 41 ... - 715M4</b> |
|   |         |               | 63                        | 22                            | 18,5                         | <b>H263 - 41 ... - 715M4</b> |
| 3 ... 4   | H200-B  | 63            | 22                        | 18,5                          | <b>H263 - 41 ... - 715M4</b> |                              |

| SMD modules for basic switch A02      |           |                     |
|---------------------------------------|-----------|---------------------|
| Mounting form module for 715M1/715M4  | H200-A    | <b>BFA2 - E7</b>    |
| Mounting form module for 715M1/715M4  | H200-B    | <b>BFB2 - E7</b>    |
| Enclosure module, mounting form 715M1 | H200-A/-B | <b>PAH2 - 715M1</b> |
| Enclosure module, mounting form 715M4 | H200-A/-B | <b>PAH2 - 715M4</b> |

| Dimensions (mm) |     |     |     |    |       |     |
|-----------------|-----|-----|-----|----|-------|-----|
| Product lines   | H1  | B1  | T1  | T2 | 2xM   | H2  |
| H200-A          | 175 | 115 | 100 | 38 | 20/25 | 165 |
| H200-B          | 175 | 115 | 100 | 38 | 20/25 | 165 |

# Enclosed Switches

# sälzer



## Product lines H200-A/-B

### Insulated enclosure 175 x 115 x 100 mm

with cover interlock  
in ON position

with N/PE connection link

Uninterrupted leading  
through of the wire shield

### Cable entries

4 x M20/M25

4 x SKL Shield clip  
for shield diameter 12–16 mm

**715N1** (IP66)

**715N4** (IP66)

| Complete switch   | Poles   | Product lines | Rated data (IEC 60947)             |                               |            | Order code number            |
|---|---------|---------------|------------------------------------|-------------------------------|------------|------------------------------|
|   |         |               | Operational current I <sub>e</sub> | Operational power at 380–440V |            |                              |
|   |         |               | AC-21A<br>A                        | AC-23A<br>kW                  | AC-3<br>kW |                              |
| Main Switches<br>OFF position padlockable 12h               | 3 ... 4 | H200-A        | 20                                 | 5,5                           | 3,7        | <b>H216 - 41 ... - 715N1</b> |
|   |         |               | 25                                 | 7,5                           | 5,5        | <b>H220 - 41 ... - 715N1</b> |
|   |         |               | 32                                 | 11                            | 7,5        | <b>H226 - 41 ... - 715N1</b> |
|   |         |               | 40                                 | 15                            | 11         | <b>H233 - 41 ... - 715N1</b> |
|   | 3 ... 4 | H200-B        | 63                                 | 22                            | 18,5       | <b>H263 - 41 ... - 715N1</b> |
| Main/Emergency-Off Switches<br>OFF position padlockable 12h | 3 ... 4 | H200-A        | 20                                 | 5,5                           | 3,7        | <b>H216 - 41 ... - 715N4</b> |
|   |         |               | 25                                 | 7,5                           | 5,5        | <b>H220 - 41 ... - 715N4</b> |
|   |         |               | 32                                 | 11                            | 7,5        | <b>H226 - 41 ... - 715N4</b> |
|   |         |               | 40                                 | 15                            | 11         | <b>H233 - 41 ... - 715N4</b> |
|   | 3 ... 4 | H200-B        | 63                                 | 22                            | 18,5       | <b>H263 - 41 ... - 715N4</b> |

### SMD modules for basic switch A02

Mounting form module for 715N1/715N4  
Mounting form module for 715N1/715N4

H200-A  
H200-B

**BFA2 - E7**  
**BFB2 - E7**

Enclosure module, mounting form 715N1  
Enclosure module, mounting form 715N4

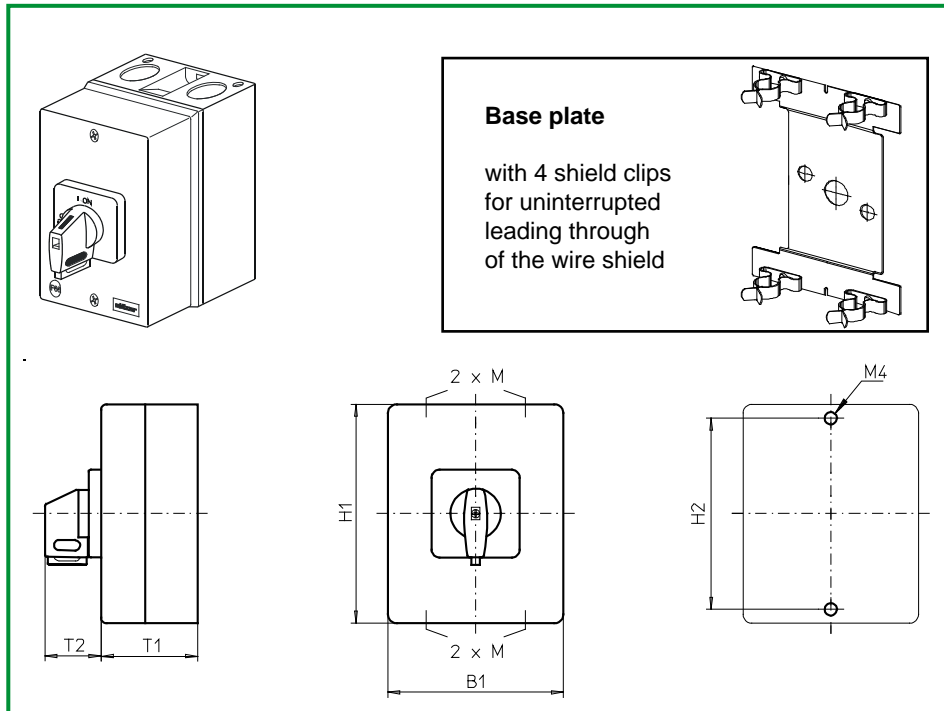
H200-A/-B  
H200-A/-B

**PAH2 - 715N1**  
**PAH2 - 715N4**

### Dimensions (mm)

| Product lines | H1  | B1  | T1  | T2 | 2xM   | H2  |
|---------------|-----|-----|-----|----|-------|-----|
| H200-A        | 175 | 115 | 100 | 33 | 20/25 | 165 |
| H200-B        | 175 | 115 | 100 | 33 | 20/25 | 165 |

# Enclosed Switches



## Product lines H200-A/-B

### Insulated enclosure 175 x 115 x 100 mm

with cover interlock  
in ON position

with N/PE connection link

Uninterrupted leading  
through of the wire shield

### Cable entries

4 x M20/M25  
4 x SKL Shield clip  
for shield diameter 12–16 mm

**715V1** (IP66)

**715V4** (IP66)

| Complete switch   | Poles   | Product lines | Rated data (IEC 60947)    |                               |            | Order code number            |
|---|---------|---------------|---------------------------|-------------------------------|------------|------------------------------|
|   |         |               | Operational current $I_e$ | Operational power at 380–440V |            |                              |
|   |         |               | AC-21A<br>A               | AC-23A<br>kW                  | AC-3<br>kW |                              |
| Main Switches<br>OFF position padlockable 09h               | 3 ... 4 | H200-A        | 20                        | 5,5                           | 3,7        | <b>H216 - 41 ... - 715V1</b> |
|   |         |               | 25                        | 7,5                           | 5,5        | <b>H220 - 41 ... - 715V1</b> |
|   |         |               | 32                        | 11                            | 7,5        | <b>H226 - 41 ... - 715V1</b> |
|   |         |               | 40                        | 15                            | 11         | <b>H233 - 41 ... - 715V1</b> |
|   | 3 ... 4 | H200-B        | 63                        | 22                            | 18,5       | <b>H263 - 41 ... - 715V1</b> |
| Main/Emergency-Off Switches<br>OFF position padlockable 09h | 3 ... 4 | H200-A        | 20                        | 5,5                           | 3,7        | <b>H216 - 41 ... - 715V4</b> |
|   |         |               | 25                        | 7,5                           | 5,5        | <b>H220 - 41 ... - 715V4</b> |
|   |         |               | 32                        | 11                            | 7,5        | <b>H226 - 41 ... - 715V4</b> |
|   |         |               | 40                        | 15                            | 11         | <b>H233 - 41 ... - 715V4</b> |
|   | 3 ... 4 | H200-B        | 63                        | 22                            | 18,5       | <b>H263 - 41 ... - 715V4</b> |

| SMD modules for basic switch A02            |           |                                |
|---|-----------|--------------------------------|
| Mounting form module for 715V1/715V4        | H200-A    | <b>BFA2 - E7</b>               |
| Mounting form module for 715V1/715V4        | H200-B    | <b>BFB2 - E7</b>               |
| Enclosure module, mounting form 715V1       | H200-A/-B | <b>PAH2 - 715V1</b>            |
| Enclosure module, mounting form 715V4       | H200-A/-B | <b>PAH2 - 715V4</b>            |
| Legend plate silver, enclosure module 715V1 | H200-A/-B | <b>FAS4 - 9...</b> (FA number) |
| Legend plate yellow, enclosure module 715V4 | H200-A/-B | <b>FBS4 - 9...</b> (FA number) |

| Dimensions (mm) |     |     |     |    |       |     |
|-----------------|-----|-----|-----|----|-------|-----|
| Product lines   | H1  | B1  | T1  | T2 | 2xM   | H2  |
| H200-A          | 175 | 115 | 100 | 39 | 20/25 | 165 |
| H200-B          | 175 | 115 | 100 | 39 | 20/25 | 165 |

# Enclosed Switches

**sälzer**

**Product line  
H200-D**

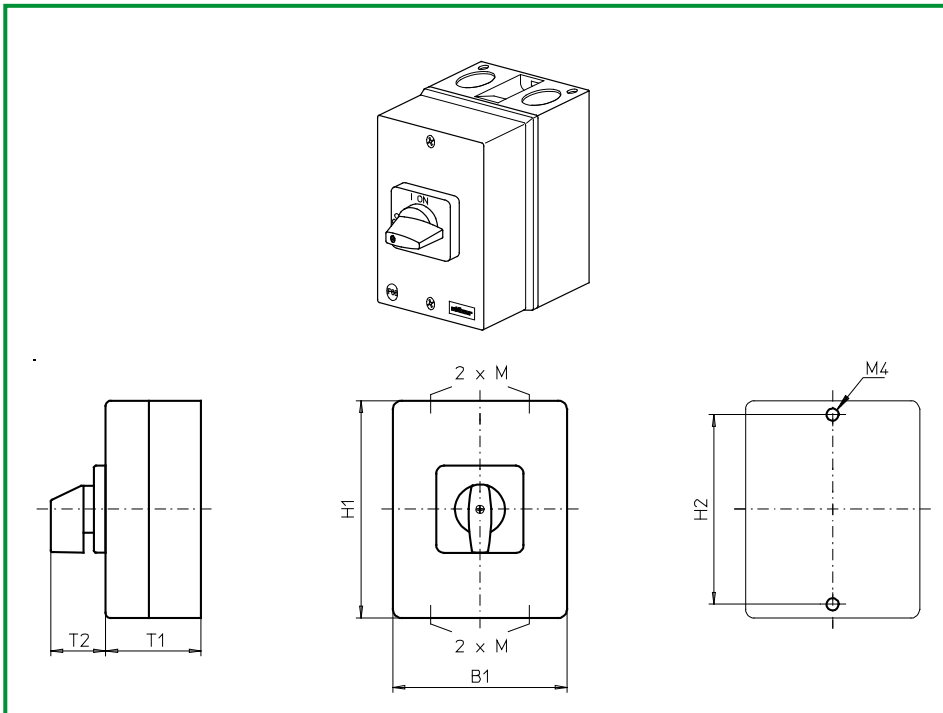
**Enclosed switch**

**Insulated enclosure**  
175 × 115 × 100 mm

with cover interlock  
in ON position  
with N/PE connection link

**Cable entries**  
4 × M20/M25

**721M1** (IP66)



| Complete switch                             | Poles     | Product lines | Rated data (IEC 60947)    |                               |            | Order code number              |
|---|-----------|---------------|---------------------------|-------------------------------|------------|--------------------------------|
|   |           |               | Operational current $I_e$ | Operational power at 380–440V |            |                                |
|   |           |               | AC-21A<br>A               | AC-23A<br>kW                  | AC-3<br>kW |                                |
| ON-OFF Switches<br>Switching angle 90°      | 6         | H200-D        | 20                        | 5,5                           | 3,7        | <b>H216 - 41600 - 721M1</b>    |
|   |           |               | 25                        | 7,5                           | 5,5        | <b>H220 - 41600 - 721M1</b>    |
|   |           |               | 32                        | 11                            | 7,5        | <b>H226 - 41600 - 721M1</b>    |
|   |           |               | 40                        | 15                            | 11         | <b>H233 - 41600 - 721M1</b>    |
| <b>SMD modules for basic switch A02</b>     |           |               |                           |                               |            |                                |
| Mounting form module for 721M.              |           |               |                           | H200-D                        |            | <b>BFB2 - E7</b>               |
| Enclosure module, mounting form 721M1       |           |               |                           | H200-D                        |            | <b>PAH2 - 721M1</b>            |
| Legend plate silver, enclosure module 721M1 |           |               |                           | H200-D                        |            | <b>FAS4 - 9...</b> (FA number) |
| <b>Dimensions (mm)</b>                      |           |               |                           |                               |            |                                |
| <b>Product line</b>                         | <b>H1</b> | <b>B1</b>     | <b>T1</b>                 | <b>T2</b>                     | <b>2xM</b> | <b>H2</b>                      |
| H200-D                                      | 175       | 115           | 100                       | 39                            | 20/25      | 165                            |

# Enclosed Switches

# sälzer

**Product line**  
**H200-D**

**Enclosed switch**

**Insulated enclosure**  
175 x 115 x 100 mm

with cover interlock  
in ON position

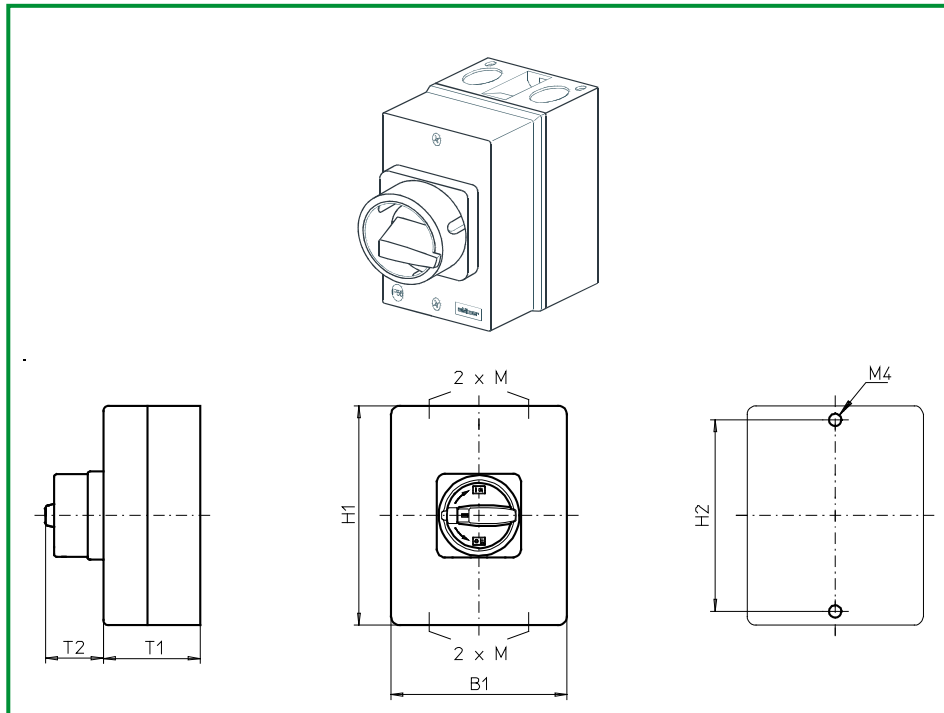
with N/PE connection link

**Cable entries**

4 x M20/M25

**720M1** (IP66)

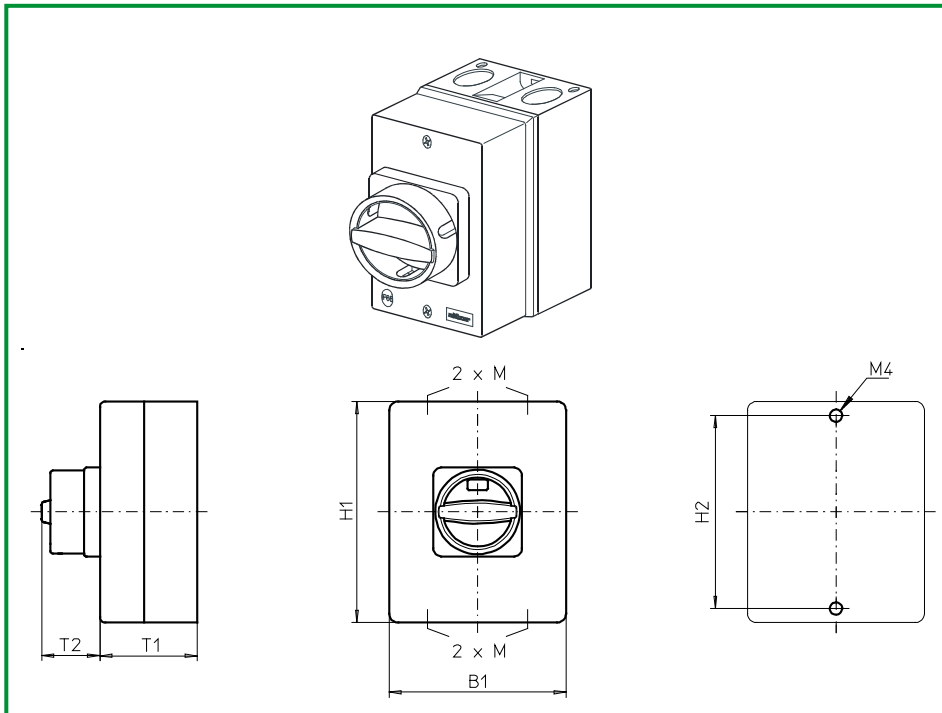
**720M4** (IP66)



| Complete switch   | Poles     | Product lines | Rated data (IEC 60947)             |                               |                     | Order code number           |
|---|-----------|---------------|------------------------------------|-------------------------------|---------------------|-----------------------------|
|   |           |               | Operational current I <sub>e</sub> | Operational power at 380–440V |                     |                             |
|   |           |               | AC-21A<br>A                        | AC-23A<br>kW                  | AC-3<br>kW          |                             |
| Main Switches<br>OFF position padlockable 09h               | 6         | H200-D        | 20                                 | 5,5                           | 3,7                 | <b>H216 - 41600 - 720M1</b> |
|   |           |               | 25                                 | 7,5                           | 5,5                 | <b>H220 - 41600 - 720M1</b> |
|   |           |               | 32                                 | 11                            | 7,5                 | <b>H226 - 41600 - 720M1</b> |
|   |           |               | 40                                 | 15                            | 11                  | <b>H233 - 41600 - 720M1</b> |
| Main/Emergency-Off Switches<br>OFF position padlockable 09h | 6         | H200-D        | 20                                 | 5,5                           | 3,7                 | <b>H216 - 41600 - 720M4</b> |
|   |           |               | 25                                 | 7,5                           | 5,5                 | <b>H220 - 41600 - 720M4</b> |
|   |           |               | 32                                 | 11                            | 7,5                 | <b>H226 - 41600 - 720M4</b> |
|   |           |               | 40                                 | 15                            | 11                  | <b>H233 - 41600 - 720M4</b> |
| <b>SMD modules for basic switch A02</b>                     |           |               |                                    |                               |                     |                             |
| Mounting form module for 720M.                              |           |               | H200-D                             |                               | <b>BFB2 - E7</b>    |                             |
| Enclosure module, mounting form 720M1                       |           |               | H200-D                             |                               | <b>PAH2 - 720M1</b> |                             |
| Enclosure module, mounting form 720M4                       |           |               | H200-D                             |                               | <b>PAH2 - 720M4</b> |                             |
| <b>Dimensions (mm)</b>                                      |           |               |                                    |                               |                     |                             |
| <b>Product line</b>   | <b>H1</b> | <b>B1</b>     | <b>T1</b>                          | <b>T2</b>                     | <b>2xM</b>          | <b>H2</b>                   |
| H200-D  | 175       | 115           | 100                                | 38                            | 20/25               | 165                         |

# Enclosed Switches

**sälzer**



**Product line**  
**H200-D**

**Enclosed switch**

**Insulated enclosure**  
175 x 115 x 100 mm

with cover interlock  
in ON position

with N/PE connection link

**Cable entries**

4 x M20/M25

**720N1** (IP66)

**720N4** (IP66)

| Complete switch   | Poles     | Product lines | Rated data (IEC 60947)             |                               |                     | Order code number           |
|---|-----------|---------------|------------------------------------|-------------------------------|---------------------|-----------------------------|
|   |           |               | Operational current I <sub>e</sub> | Operational power at 380–440V |                     |                             |
|   |           |               | AC-21A<br>A                        | AC-23A<br>kW                  | AC-3<br>kW          |                             |
| Main Switches<br>OFF position padlockable 12h               | 6         | H200-D        | 20                                 | 5,5                           | 3,7                 | <b>H216 - 41600 - 720N1</b> |
|   |           |               | 25                                 | 7,5                           | 5,5                 | <b>H220 - 41600 - 720N1</b> |
|   |           |               | 32                                 | 11                            | 7,5                 | <b>H226 - 41600 - 720N1</b> |
|   |           |               | 40                                 | 15                            | 11                  | <b>H233 - 41600 - 720N1</b> |
| Main/Emergency-Off Switches<br>OFF position padlockable 12h | 6         | H200-D        | 20                                 | 5,5                           | 3,7                 | <b>H216 - 41600 - 720N4</b> |
|   |           |               | 25                                 | 7,5                           | 5,5                 | <b>H220 - 41600 - 720N4</b> |
|   |           |               | 32                                 | 11                            | 7,5                 | <b>H226 - 41600 - 720N4</b> |
|   |           |               | 40                                 | 15                            | 11                  | <b>H233 - 41600 - 720N4</b> |
| <b>SMD modules for basic switch A02</b>                     |           |               |                                    |                               |                     |                             |
| Mounting form module for 720N.                              |           |               | H200-D                             |                               | <b>BFB2 - E7</b>    |                             |
| Enclosure module, mounting form 720N1                       |           |               | H200-D                             |                               | <b>PAH2 - 720N1</b> |                             |
| Enclosure module, mounting form 720N4                       |           |               | H200-D                             |                               | <b>PAH2 - 720N4</b> |                             |
| <b>Dimensions (mm)</b>                                      |           |               |                                    |                               |                     |                             |
| <b>Product line</b>   | <b>H1</b> | <b>B1</b>     | <b>T1</b>                          | <b>T2</b>                     | <b>2xM</b>          | <b>H2</b>                   |
| H200-D  | 175       | 115           | 100                                | 33                            | 20/25               | 165                         |



# Enclosed Switches

# sälzer

**Product line**  
**H200-D**

**Enclosed switch**

**Insulated enclosure**  
175 x 115 x 100 mm

with cover interlock  
in ON position

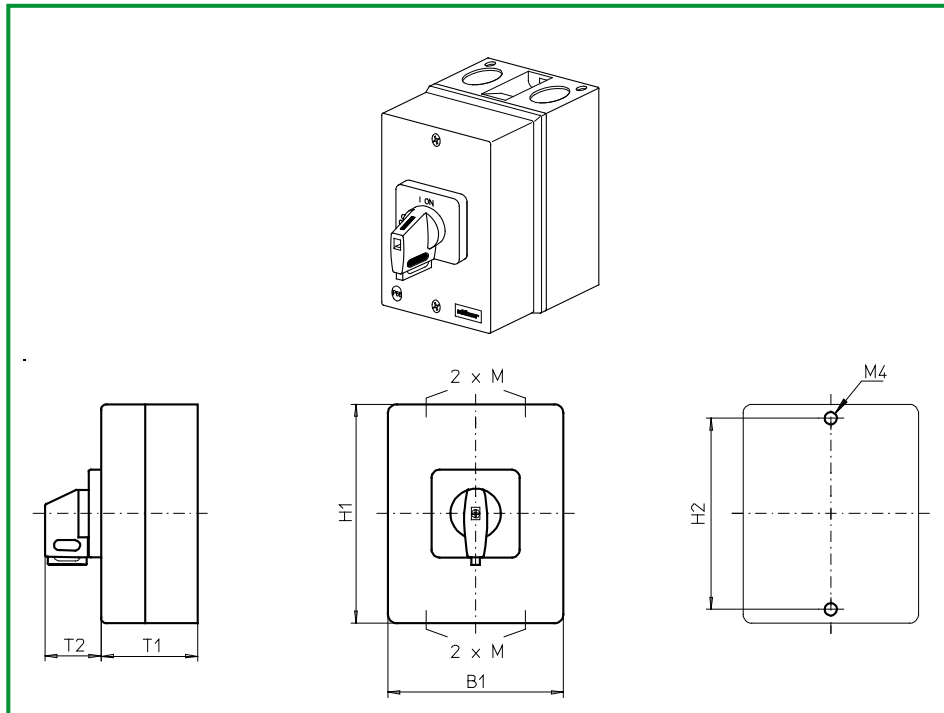
with N/PE connection link

**Cable entries**

4 x M20/M25

**720V1** (IP66)

**720V4** (IP66)



| Complete switch   | Poles | Product lines | Rated data (IEC 60947)             |                               |            | Order code number           |
|---|-------|---------------|------------------------------------|-------------------------------|------------|-----------------------------|
|   |       |               | Operational current I <sub>e</sub> | Operational power at 380–440V |            |                             |
|   |       |               | AC-21A<br>A                        | AC-23A<br>kW                  | AC-3<br>kW |                             |
| Main Switches<br>OFF position padlockable 09h               | 6     | H200-D        | 20                                 | 5,5                           | 3,7        | <b>H216 - 41600 - 720V1</b> |
|   |       |               | 25                                 | 7,5                           | 5,5        | <b>H220 - 41600 - 720V1</b> |
|   |       |               | 32                                 | 11                            | 7,5        | <b>H226 - 41600 - 720V1</b> |
|   |       |               | 40                                 | 15                            | 11         | <b>H233 - 41600 - 720V1</b> |
| Main/Emergency-Off Switches<br>OFF position padlockable 09h | 6     | H200-D        | 20                                 | 5,5                           | 3,7        | <b>H216 - 41600 - 720V4</b> |
|   |       |               | 25                                 | 7,5                           | 5,5        | <b>H220 - 41600 - 720V4</b> |
|   |       |               | 32                                 | 11                            | 7,5        | <b>H226 - 41600 - 720V4</b> |
|   |       |               | 40                                 | 15                            | 11         | <b>H233 - 41600 - 720V4</b> |

| SMD modules for basic switch A02            |        |                                |
|---|--------|--------------------------------|
| Mounting form module for 720V.              | H200-D | <b>BFB2 - E7</b>               |
| Enclosure module, mounting form 720V1       | H200-D | <b>PAH2 - 720V1</b>            |
| Enclosure module, mounting form 720V4       | H200-D | <b>PAH2 - 720V4</b>            |
| Legend plate silver, enclosure module 720V1 | H200-D | <b>FAS4 - 9...</b> (FA number) |
| Legend plate yellow, enclosure module 720V4 | H200-D | <b>FBS4 - 9...</b> (FA number) |

| Dimensions (mm) |     |     |     |    |       |     |
|-----------------|-----|-----|-----|----|-------|-----|
| Product line    | H1  | B1  | T1  | T2 | 2xM   | H2  |
| H200-D          | 175 | 115 | 100 | 39 | 20/25 | 165 |

# Enclosed Switches

# sälzer

**Product line**  
**H200-E**

**Enclosed switch**

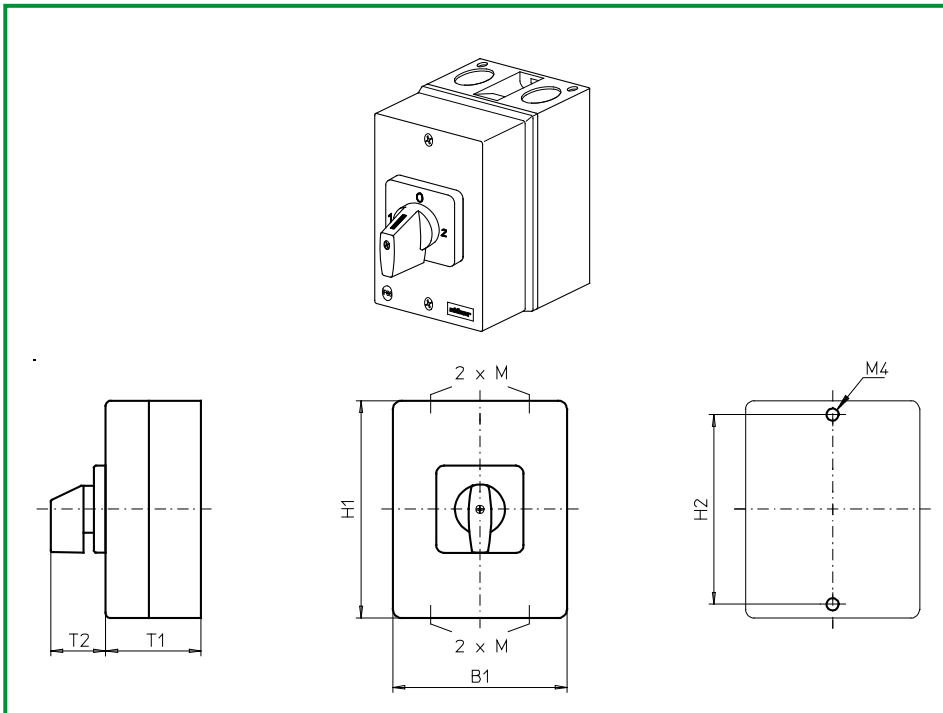
**Insulated enclosure**

175 × 115 × 100 mm  
Cover interlock  
in position 1 and 2  
with N/PE connection link

**Cable entries**

4 × M20/M25

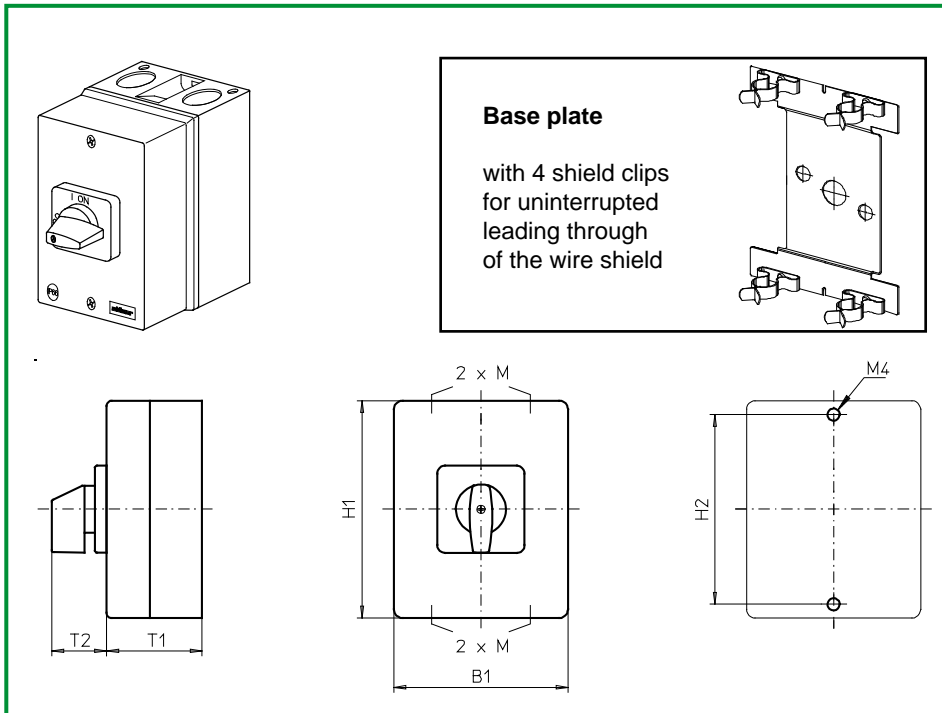
**722M1** (IP66)



| Complete switch                             | Poles     | Product lines | Rated data (IEC 60947)             |                               |            | Order code number              |
|---|-----------|---------------|------------------------------------|-------------------------------|------------|--------------------------------|
|   |           |               | Operational current I <sub>e</sub> | Operational power at 380–440V |            |                                |
|   |           |               | AC-21A<br>A                        | AC-23A<br>kW                  | AC-3<br>kW |                                |
| Changeover with OFF<br>Switching angle 90°  | 3         | H200-E        | 20                                 | 5,5                           | 3,7        | <b>H216 - 71300 - 722M1</b>    |
|   |           |               | 25                                 | 7,5                           | 5,5        | <b>H220 - 71300 - 722M1</b>    |
|   |           |               | 32                                 | 11                            | 7,5        | <b>H226 - 71300 - 722M1</b>    |
|   |           |               | 40                                 | 15                            | 11         | <b>H233 - 71300 - 722M1</b>    |
| <b>SMD modules for basic switch A02</b>     |           |               |                                    |                               |            |                                |
| Mounting form module for 722M1              |           |               |                                    | H200-E                        |            | <b>BFB2 - E7</b>               |
| Enclosure module, mounting form 722M1       |           |               |                                    | H200-E                        |            | <b>PAH2 - 722M1</b>            |
| Legend plate silver, enclosure module 722M1 |           |               |                                    | H200-E                        |            | <b>FAS4 - 9...</b> (FA number) |
| <b>Dimensions (mm)</b>                      |           |               |                                    |                               |            |                                |
| <b>Product line</b>                         | <b>H1</b> | <b>B1</b>     | <b>T1</b>                          | <b>T2</b>                     | <b>2xM</b> | <b>H2</b>                      |
| H200-E                                      | 175       | 115           | 100                                | 39                            | 20/25      | 165                            |

# Enclosed Switches

# sälzer



**Product line**  
**H200-D**

**Insulated enclosure**

175 × 115 × 100 mm

with cover interlock  
in ON position

with N/PE connection link

Uninterrupted leading  
through of the wire shield

**Cable entries**

4 × M20/M25

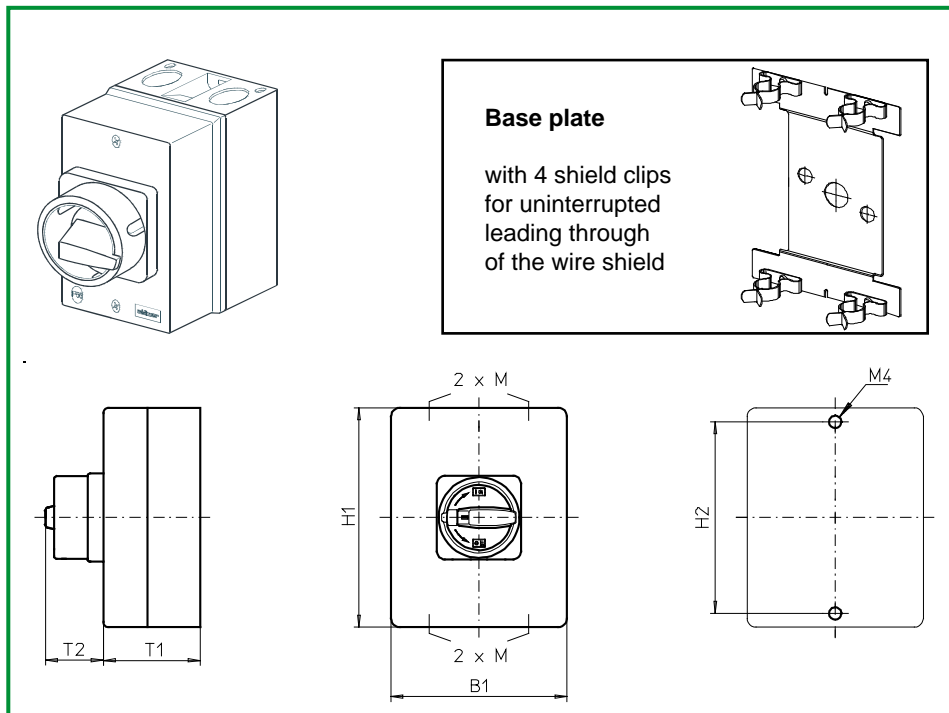
4 × SKL Shield clip  
for shield diameter 12–16 mm

**726M1** (IP66)

| Complete switch                             | Poles | Product lines | Rated data (IEC 60947)             |                               |                                | Order code number           |
|---|-------|---------------|------------------------------------|-------------------------------|--------------------------------|-----------------------------|
|   |       |               | Operational current I <sub>e</sub> | Operational power at 380–440V |                                |                             |
|   |       |               | AC-21A<br>A                        | AC-23A<br>kW                  | AC-3<br>kW                     |                             |
| ON-OFF Switches<br>Switching angle 90°      | 6     | H200-D        | 20                                 | 5,5                           | 3,7                            | <b>H216 - 41600 - 726M1</b> |
|   |       |               | 25                                 | 7,5                           | 5,5                            | <b>H220 - 41600 - 726M1</b> |
|   |       |               | 32                                 | 11                            | 7,5                            | <b>H226 - 41600 - 726M1</b> |
|   |       |               | 40                                 | 15                            | 11                             | <b>H233 - 41600 - 726M1</b> |
| <b>SMD modules for basic switch A02</b>     |       |               |                                    |                               |                                |                             |
| Mounting form module for 726M.              |       |               | H200-D                             |                               | <b>BFB2 - E7</b>               |                             |
| Enclosure module, mounting form 726M1       |       |               | H200-D                             |                               | <b>PAH2 - 726M1</b>            |                             |
| Legend plate silver, enclosure module 726M1 |       |               | H200-D                             |                               | <b>FAS4 - 9...</b> (FA number) |                             |
| <b>Dimensions (mm)</b>                      |       |               |                                    |                               |                                |                             |
| Product line                                | H1    | B1            | T1                                 | T2                            | 2xM                            | H2                          |
| H200-D                                      | 175   | 115           | 100                                | 39                            | 20/25                          | 165                         |

# Enclosed Switches

# sälzer



**Product line**  
**H200-D**

**Insulated enclosure**

175 x 115 x 100 mm

with cover interlock  
in ON position

with N/PE connection link

Uninterrupted leading  
through of the wire shield

**Cable entries**

4 x M20/M25

4 x SKL Shield clip  
for shield diameter 12–16 mm

**725M1** (IP66)

**725M4** (IP66)

| Complete switch   | Poles | Product lines | Rated data (IEC 60947)             |                               |            | Order code number           |
|---|-------|---------------|------------------------------------|-------------------------------|------------|-----------------------------|
|   |       |               | Operational current I <sub>e</sub> | Operational power at 380–440V |            |                             |
|   |       |               | AC-21A<br>A                        | AC-23A<br>kW                  | AC-3<br>kW |                             |
| Main Switches<br>OFF position padlockable 09h               | 6     | H200-D        | 20                                 | 5,5                           | 3,7        | <b>H216 - 41600 - 725M1</b> |
|   |       |               | 25                                 | 7,5                           | 5,5        | <b>H220 - 41600 - 725M1</b> |
|   |       |               | 32                                 | 11                            | 7,5        | <b>H226 - 41600 - 725M1</b> |
|   |       |               | 40                                 | 15                            | 11         | <b>H233 - 41600 - 725M1</b> |
| Main/Emergency-Off Switches<br>OFF position padlockable 09h | 6     | H200-D        | 20                                 | 5,5                           | 3,7        | <b>H216 - 41600 - 725M4</b> |
|   |       |               | 25                                 | 7,5                           | 5,5        | <b>H220 - 41600 - 725M4</b> |
|   |       |               | 32                                 | 11                            | 7,5        | <b>H226 - 41600 - 725M4</b> |
|   |       |               | 40                                 | 15                            | 11         | <b>H233 - 41600 - 725M4</b> |

### SMD modules for basic switch A02

Mounting form module for 725M.

H200-D

**BFB2 - E7**

Enclosure module, mounting form 725M1  
Enclosure module, mounting form 725M4

H200-D  
H200-D

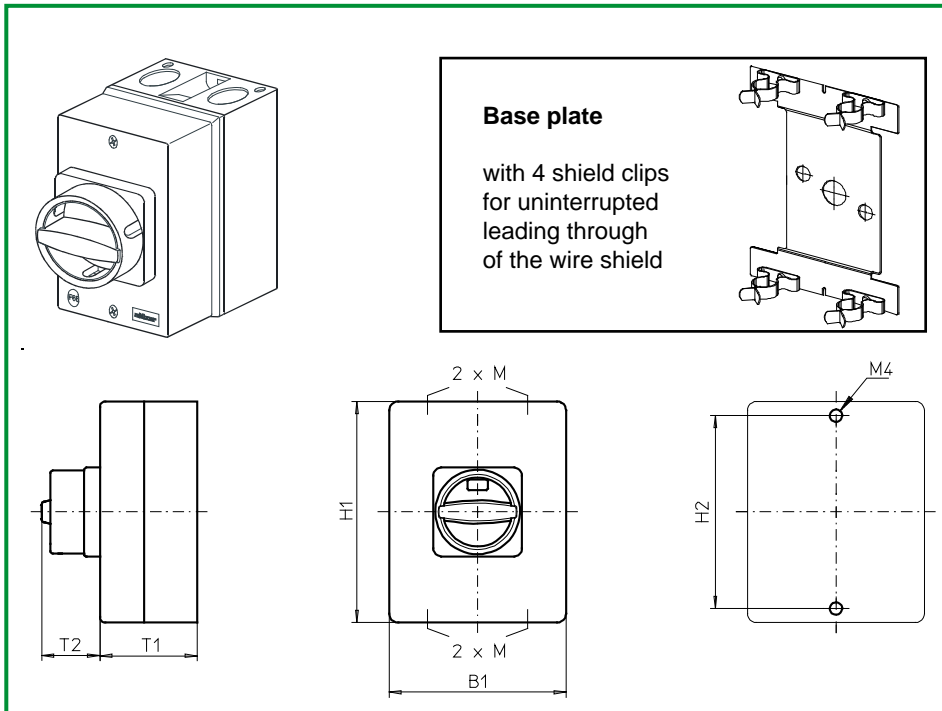
**PAH2 - 725M1**  
**PAH2 - 725M4**

### Dimensions (mm)

| Product line | H1  | B1  | T1  | T2 | 2xM   | H2  |
|--------------|-----|-----|-----|----|-------|-----|
| H200-D       | 175 | 115 | 100 | 38 | 20/25 | 165 |

# Enclosed Switches

**sälzer**



**Product line  
H200-D**

**Insulated enclosure**

175 x 115 x 100 mm

with cover interlock  
in ON position

with N/PE connection link

Uninterrupted leading  
through of the wire shield

**Cable entries**

4 x M20/M25

4 x SKL Shield clip  
for shield diameter 12–16 mm

**725N1 (IP66)**

**725N4 (IP66)**

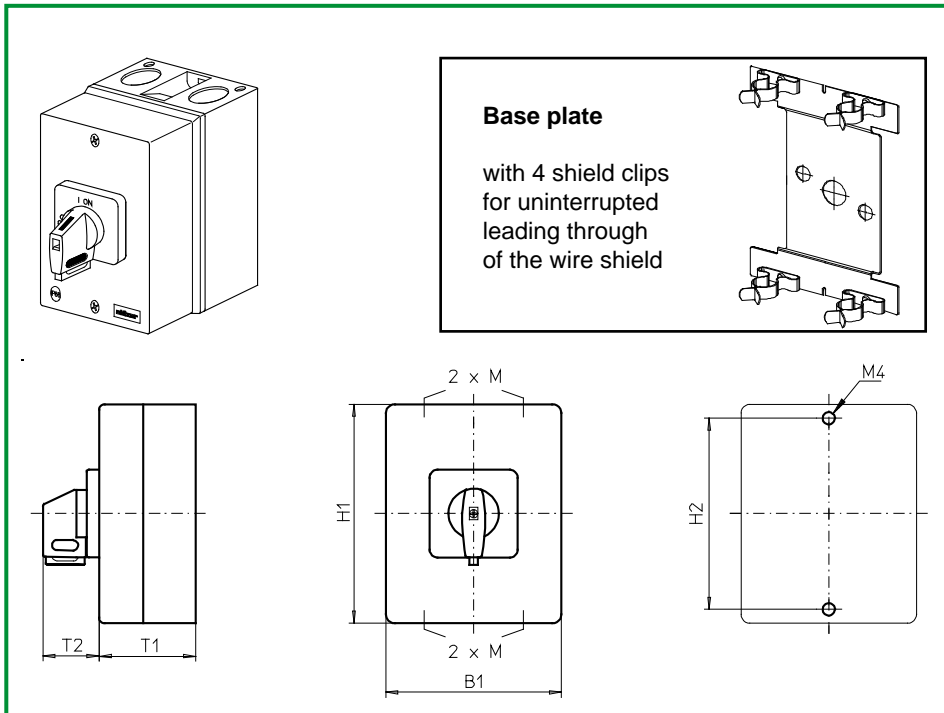
| Complete switch   | Poles | Product lines | Rated data (IEC 60947)             |                               |            | Order code number           |
|---|-------|---------------|------------------------------------|-------------------------------|------------|-----------------------------|
|   |       |               | Operational current I <sub>e</sub> | Operational power at 380–440V |            |                             |
|   |       |               | AC-21A<br>A                        | AC-23A<br>kW                  | AC-3<br>kW |                             |
| Main Switches<br>OFF position padlockable 12h               | 6     | H200-D        | 20                                 | 5,5                           | 3,7        | <b>H216 - 41600 - 725N1</b> |
|   |       |               | 25                                 | 7,5                           | 5,5        | <b>H220 - 41600 - 725N1</b> |
|   |       |               | 32                                 | 11                            | 7,5        | <b>H226 - 41600 - 725N1</b> |
|   |       |               | 40                                 | 15                            | 11         | <b>H233 - 41600 - 725N1</b> |
| Main/Emergency-Off Switches<br>OFF position padlockable 12h | 6     | H200-D        | 20                                 | 5,5                           | 3,7        | <b>H216 - 41600 - 725N4</b> |
|   |       |               | 25                                 | 7,5                           | 5,5        | <b>H220 - 41600 - 725N4</b> |
|   |       |               | 32                                 | 11                            | 7,5        | <b>H226 - 41600 - 725N4</b> |
|   |       |               | 40                                 | 15                            | 11         | <b>H233 - 41600 - 725N4</b> |

| SMD modules for basic switch A02      |  |        |                     |
|---------------------------------------|--|--------|---------------------|
| Mounting form module for 725N.        |  | H200-D | <b>BFB2 - E7</b>    |
| Enclosure module, mounting form 725N1 |  | H200-D | <b>PAH2 - 725N1</b> |
| Enclosure module, mounting form 725N4 |  | H200-D | <b>PAH2 - 725N4</b> |

| Dimensions (mm) |     |     |     |    |       |     |
|-----------------|-----|-----|-----|----|-------|-----|
| Product line    | H1  | B1  | T1  | T2 | 2xM   | H2  |
| H200-D          | 175 | 115 | 100 | 33 | 20/25 | 165 |

# Enclosed Switches

**sälzer**



## Product line H200-D

### Insulated enclosure

175 x 115 x 100 mm

with cover interlock  
in ON position

with N/PE connection link

Uninterrupted leading  
through of the wire shield

### Cable entries

4 x M20/M25

4 x SKL Shield clip  
for shield diameter 12–16 mm

**725V1** (IP66)

**725V4** (IP66)

| Complete switch   | Poles | Product lines | Rated data (IEC 60947)    |                               |            | Order code number           |
|---|-------|---------------|---------------------------|-------------------------------|------------|-----------------------------|
|   |       |               | Operational current $I_e$ | Operational power at 380–440V |            |                             |
|   |       |               | AC-21A<br>A               | AC-23A<br>kW                  | AC-3<br>kW |                             |
| Main Switches<br>OFF position padlockable 09h               | 6     | H200-D        | 20                        | 5,5                           | 3,7        | <b>H216 - 41600 - 725V1</b> |
|   |       |               | 25                        | 7,5                           | 5,5        | <b>H220 - 41600 - 725V1</b> |
|   |       |               | 32                        | 11                            | 7,5        | <b>H226 - 41600 - 725V1</b> |
|   |       |               | 40                        | 15                            | 11         | <b>H233 - 41600 - 725V1</b> |
| Main/Emergency-Off Switches<br>OFF position padlockable 09h | 6     | H200-D        | 20                        | 5,5                           | 3,7        | <b>H216 - 41600 - 725V4</b> |
|   |       |               | 25                        | 7,5                           | 5,5        | <b>H220 - 41600 - 725V4</b> |
|   |       |               | 32                        | 11                            | 7,5        | <b>H226 - 41600 - 725V4</b> |
|   |       |               | 40                        | 15                            | 11         | <b>H233 - 41600 - 725V4</b> |

### SMD modules for basic switch A02

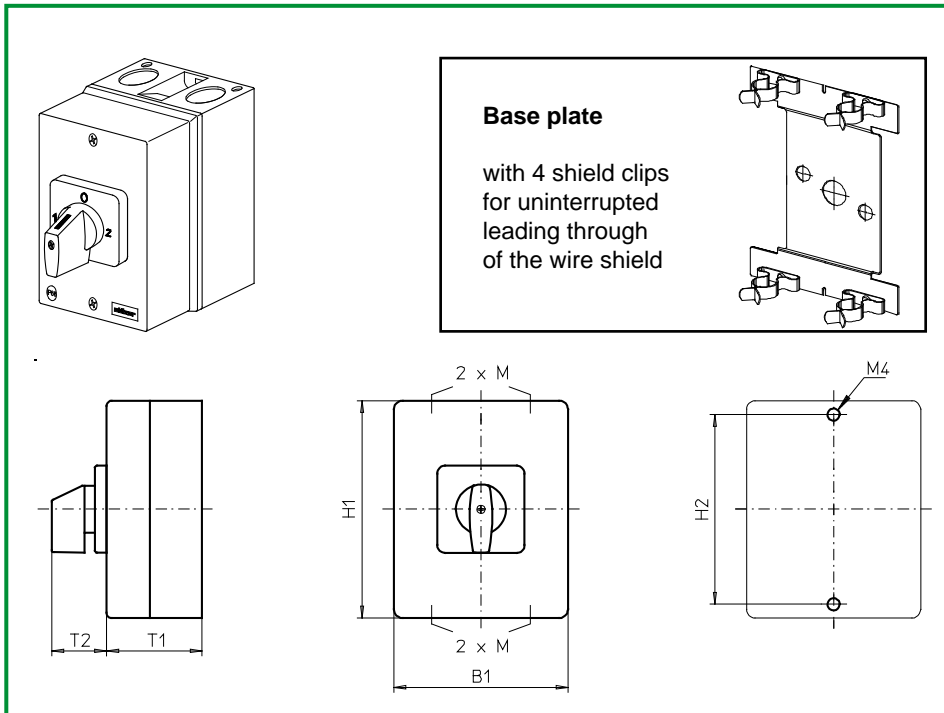
|   |        |                                |
|---|--------|--------------------------------|
| Mounting form module for 725V.              | H200-D | <b>BFB2 - E7</b>               |
| Enclosure module, mounting form 725V1       | H200-D | <b>PAH2 - 725V1</b>            |
| Enclosure module, mounting form 725V4       | H200-D | <b>PAH2 - 725V4</b>            |
| Legend plate silver, enclosure module 725V1 | H200-D | <b>FAS4 - 9...</b> (FA number) |
| Legend plate yellow, enclosure module 725V4 | H200-D | <b>FBS4 - 9...</b> (FA number) |

### Dimensions (mm)

| Product line | H1  | B1  | T1  | T2 | 2xM   | H2  |
|--------------|-----|-----|-----|----|-------|-----|
| H200-D       | 175 | 115 | 100 | 39 | 20/25 | 165 |

# Enclosed Switches

**sälzer**



**Product line  
H200-E**

**Insulated enclosure**  
175 x 115 x 100 mm

Cover interlock  
in position 1 and 2

Uninterrupted leading  
through of the wire shield  
with N/PE connection link

**Cable entries**

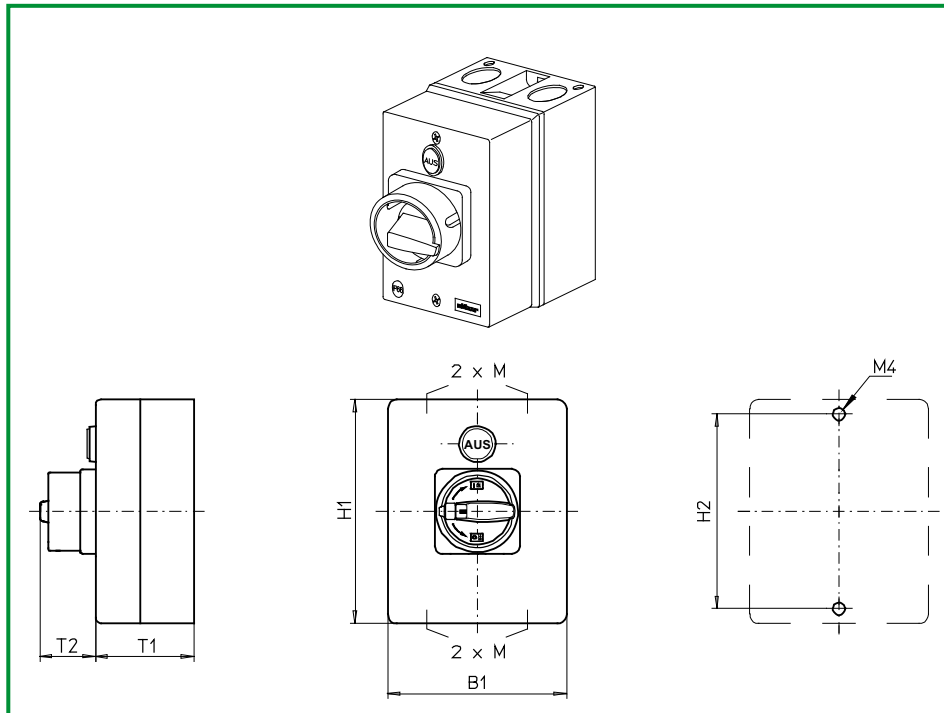
4 x M20/M25  
4 x SKL Shield clip  
for shield diameter 12–16 mm

**727M1** (IP66)

| Complete switch                             | Poles     | Product lines | Rated data (IEC 60947)             |                               |            | Order code number              |
|---|-----------|---------------|------------------------------------|-------------------------------|------------|--------------------------------|
|   |           |               | Operational current I <sub>e</sub> | Operational power at 380–440V |            |                                |
|   |           |               | AC-21A<br>A                        | AC-23A<br>kW                  | AC-3<br>kW |                                |
| Changeover with OFF<br>Switching angle 90°  | 3         | H200-E        | 20                                 | 5,5                           | 3,7        | <b>H216 - 71300 - 727M1</b>    |
|   |           |               | 25                                 | 7,5                           | 5,5        | <b>H220 - 71300 - 727M1</b>    |
|   |           |               | 32                                 | 11                            | 7,5        | <b>H226 - 71300 - 727M1</b>    |
|   |           |               | 40                                 | 15                            | 11         | <b>H233 - 71300 - 727M1</b>    |
| <b>SMD modules for basic switch A02</b>     |           |               |                                    |                               |            |                                |
| Mounting form module for 727M1              |           |               |                                    | H200-E                        |            | <b>BFB2 - E7</b>               |
| Enclosure module, mounting form 727M1       |           |               |                                    | H200-E                        |            | <b>PAH2 - 727M1</b>            |
| Legend plate silver, enclosure module 727M1 |           |               |                                    | H200-E                        |            | <b>FAS4 - 9...</b> (FA number) |
| <b>Dimensions (mm)</b>                      |           |               |                                    |                               |            |                                |
| <b>Product line</b>                         | <b>H1</b> | <b>B1</b>     | <b>T1</b>                          | <b>T2</b>                     | <b>2xM</b> | <b>H2</b>                      |
| H200-E                                      | 175       | 115           | 100                                | 39                            | 20/25      | 165                            |

# Enclosed Switches

# sälzer



**Product lines**  
**H200-A/-B**

**Enclosed switch**

**Insulated enclosure**

175 x 115 x 100 mm  
with cover interlock  
in ON position

with N/PE connection link

LED pilot light white  
"OFF", LED for 230 VAC

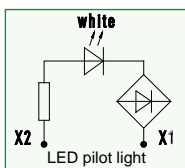
**Cable entries**

4 x M20/M25

**750M1** (IP66)

**750M4** (IP66)

| Complete switch   | Poles   | Product lines | Rated data (IEC 60947)             |                               |            | Order code number            |
|---|---------|---------------|------------------------------------|-------------------------------|------------|------------------------------|
|   |         |               | Operational current I <sub>e</sub> | Operational power at 380–440V |            |                              |
|   |         |               | AC-21A<br>A                        | AC-23A<br>kW                  | AC-3<br>kW |                              |
| Main Switches<br>OFF position padlockable 09h               | 3 ... 4 | H200-A        | 20                                 | 5,5                           | 3,7        | <b>H216 - 41 ... - 750M1</b> |
|   |         |               | 25                                 | 7,5                           | 5,5        | <b>H220 - 41 ... - 750M1</b> |
|   |         |               | 32                                 | 11                            | 7,5        | <b>H226 - 41 ... - 750M1</b> |
|   |         |               | 40                                 | 15                            | 11         | <b>H233 - 41 ... - 750M1</b> |
|   | 3 ... 4 | H200-B        | 63                                 | 22                            | 18,5       | <b>H263 - 41 ... - 750M1</b> |
| Main/Emergency-Off Switches<br>OFF position padlockable 09h | 3 ... 4 | H200-A        | 20                                 | 5,5                           | 3,7        | <b>H216 - 41 ... - 750M4</b> |
|   |         |               | 25                                 | 7,5                           | 5,5        | <b>H220 - 41 ... - 750M4</b> |
|   |         |               | 32                                 | 11                            | 7,5        | <b>H226 - 41 ... - 750M4</b> |
|   |         |               | 40                                 | 15                            | 11         | <b>H233 - 41 ... - 750M4</b> |
|   | 3 ... 4 | H200-B        | 63                                 | 22                            | 18,5       | <b>H263 - 41 ... - 750M4</b> |



Note: For 3-pole switches uses the switching programmes 41311, 41322 and 41331, for 4-pole switches use the switching programme 41411.

The auxiliary contact 21-22 (1 n/c) is reserved for the LES pilot light showing the OFF position of the main contacts.

### SMD modules for basic switch A02

Mounting form module for 750M1/750M4  
Mounting form module for 750M1/750M4

H200-A  
H200-B

**BFA2 - E7**  
**BFB2 - E7**

Enclosure module, mounting form 750M1  
Enclosure module, mounting form 750M4

H200-A/-B  
H200-A/-B

**PAH2 - 750M1**  
**PAH2 - 750M4**

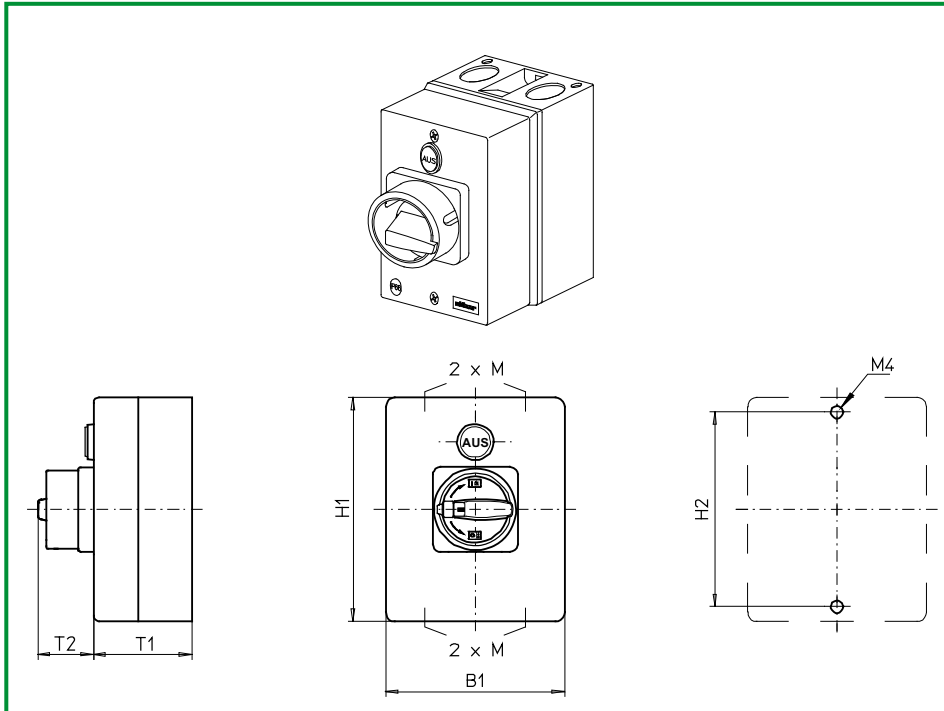
### Dimensions (mm)

| Product lines | H1  | B1  | T1  | T2 | 2xM   | H2  |
|---------------|-----|-----|-----|----|-------|-----|
| H200-A        | 175 | 115 | 100 | 38 | 20/25 | 165 |
| H200-B        | 175 | 115 | 100 | 38 | 20/25 | 165 |



# Enclosed Switches

# sälzer



**Product lines**  
**H200-A/-B**

**Enclosed switch**

**Insulated enclosure**  
175 x 115 x 100 mm

with cover interlock  
in ON position

with N/PE connection link

LED pilot light white  
"OFF", LED for 230 VAC

**Cable entries**  
4 x M20/M25

**750M6** (IP66)

| Complete switch                               | Poles   | Product lines | Rated data (IEC 60947)    |                               |            | Order code number            |
|---|---------|---------------|---------------------------|-------------------------------|------------|------------------------------|
|   |         |               | Operational current $I_e$ | Operational power at 380–440V |            |                              |
|   |         |               | AC-21A<br>A               | AC-23A<br>kW                  | AC-3<br>kW |                              |
| Main Switches<br>OFF position padlockable 09h | 3 ... 4 | H200-A        | 20                        | 5,5                           | 3,7        | <b>H216 - 41 ... - 750M6</b> |
|   |         |               | 25                        | 7,5                           | 5,5        | <b>H220 - 41 ... - 750M6</b> |
|   |         |               | 32                        | 11                            | 7,5        | <b>H226 - 41 ... - 750M6</b> |
|   |         |               | 40                        | 15                            | 11         | <b>H233 - 41 ... - 750M6</b> |
|   | 3 ... 4 | H200-B        | 63                        | 22                            | 18,5       | <b>H263 - 41 ... - 750M6</b> |

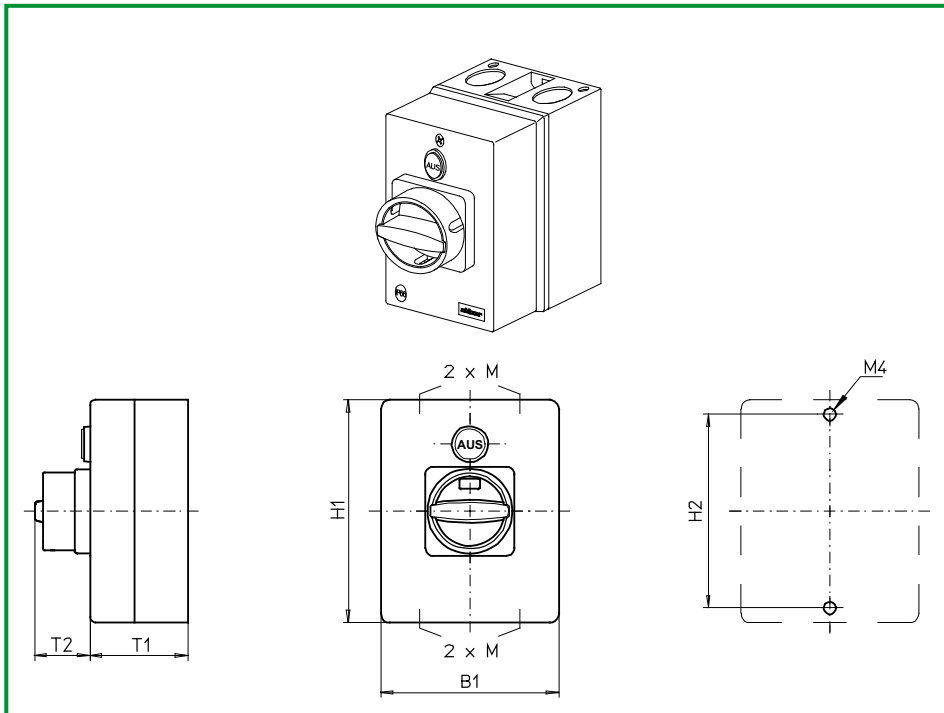
Note: For 3-pole switches uses the switching programmes 41311, 41322 and 41331, for 4-pole switches use the switching programme 41411.  
The auxiliary contact 21-22 (1 n/c) is reserved for the LES pilot light showing the OFF position of the main contacts.

| SMD modules for basic switch A02   |           |                     |
|--|-----------|---------------------|
| Mounting form module for 750M6   | H200-A    | <b>BFA2 - E7</b>    |
| Mounting form module for 750M6   | H200-B    | <b>BFB2 - E7</b>    |
| Enclosure module, mounting form 750M6<br>Escutcheon grey, padlockable handle black | H200-A/-B | <b>PAH2 - 750M6</b> |

| Dimensions (mm) |     |     |     |    |       |     |
|-----------------|-----|-----|-----|----|-------|-----|
| Product lines   | H1  | B1  | T1  | T2 | 2xM   | H2  |
| H200-A          | 175 | 115 | 100 | 38 | 20/25 | 165 |
| H200-B          | 175 | 115 | 100 | 38 | 20/25 | 165 |

# Enclosed Switches

# sälzer



**Product lines**  
**H200-A/-B**

**Enclosed switch**

**Insulated enclosure**  
175 x 115 x 100 mm

with cover interlock  
in ON position

with N/PE connection link

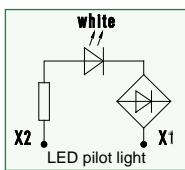
LED pilot light white  
"OFF", LED for 230 VAC

**Cable entries**  
4 x M20/M25

**750N1** (IP66)

**750N4** (IP66)

| Complete switch   | Poles   | Product lines | Rated data (IEC 60947)             |                               |                              | Order code number            |     |                              |
|---|---------|---------------|------------------------------------|-------------------------------|------------------------------|------------------------------|-----|------------------------------|
|   |         |               | Operational current I <sub>e</sub> | Operational power at 380–440V |                              |                              |     |                              |
|   |         |               | AC-21A<br>A                        | AC-23A<br>kW                  | AC-3<br>kW                   |                              |     |                              |
| Main Switches<br>OFF position padlockable 12h               | 3 ... 4 | H200-A        | 20                                 | 5,5                           | 3,7                          | <b>H216 - 41 ... - 750N1</b> |     |                              |
|   |         |               | 25                                 | 7,5                           | 5,5                          | <b>H220 - 41 ... - 750N1</b> |     |                              |
|   |         |               | 32                                 | 11                            | 7,5                          | <b>H226 - 41 ... - 750N1</b> |     |                              |
|   |         |               | 40                                 | 15                            | 11                           | <b>H233 - 41 ... - 750N1</b> |     |                              |
| Main/Emergency-Off Switches<br>OFF position padlockable 12h | 3 ... 4 | H200-B        | 63                                 | 22                            | 18,5                         | <b>H263 - 41 ... - 750N1</b> |     |                              |
|   |         |               | 3 ... 4                            | H200-A                        | 20                           | 5,5                          | 3,7 | <b>H216 - 41 ... - 750N4</b> |
|   |         |               |                                    |                               | 25                           | 7,5                          | 5,5 | <b>H220 - 41 ... - 750N4</b> |
|   |         |               |                                    |                               | 32                           | 11                           | 7,5 | <b>H226 - 41 ... - 750N4</b> |
| 40  | 15      | 11            |                                    |                               | <b>H233 - 41 ... - 750N4</b> |                              |     |                              |
|   | 3 ... 4 | H200-B        | 63                                 | 22                            | 18,5                         | <b>H263 - 41 ... - 750N4</b> |     |                              |



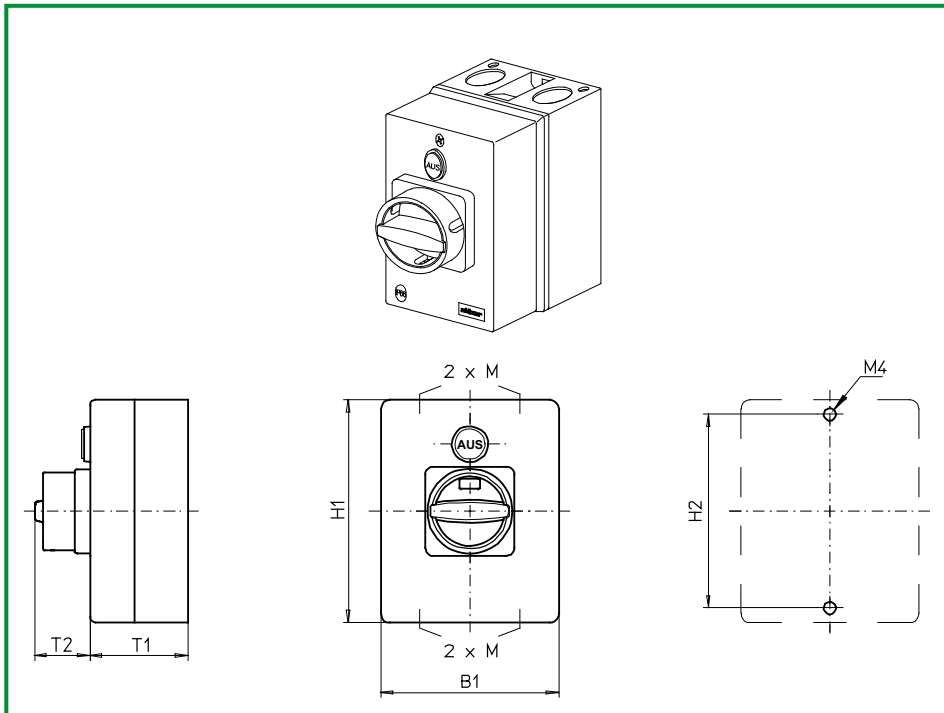
Note: For 3-pole switches uses the switching programmes 41311, 41322 and 41331, for 4-pole switches use the switching programme 41411.  
The auxiliary contact 21-22 (1 n/c) is reserved for the LES pilot light showing the OFF position of the main contacts.

| SMD modules for basic switch A02      |           |                     |
|---------------------------------------|-----------|---------------------|
| Mounting form module for 750N1/750N4  | H200-A    | <b>BFA2 - E7</b>    |
| Mounting form module for 750N1/750N4  | H200-B    | <b>BFB2 - E7</b>    |
| Enclosure module, mounting form 750N1 | H200-A/-B | <b>PAH2 - 750N1</b> |
| Enclosure module, mounting form 750N4 | H200-A/-B | <b>PAH2 - 750N4</b> |

| Dimensions (mm) |     |     |     |    |       |     |  |
|-----------------|-----|-----|-----|----|-------|-----|--|
| Product lines   | H1  | B1  | T1  | T2 | 2xM   | H2  |  |
| H200-A          | 175 | 115 | 100 | 33 | 20/25 | 165 |  |
| H200-B          | 175 | 115 | 100 | 33 | 20/25 | 165 |  |

# Enclosed Switches

# sälzer



**Product lines**  
**H200-A/-B**

**Enclosed switch**

**Insulated enclosure**  
175 x 115 x 100 mm

with cover interlock  
in ON position

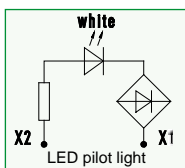
with N/PE connection link

LED pilot light white  
"OFF", LED for 230 VAC

**Cable entries**  
4 x M20/M25

**750N6** (IP66)

| Complete switch                               | Poles   | Product lines | Rated data (IEC 60947)    |                               |            | Order code number            |
|---|---------|---------------|---------------------------|-------------------------------|------------|------------------------------|
|   |         |               | Operational current $I_e$ | Operational power at 380–440V |            |                              |
|   |         |               | AC-21A<br>A               | AC-23A<br>kW                  | AC-3<br>kW |                              |
| Main Switches<br>OFF position padlockable 12h | 3 ... 4 | H200-A        | 20                        | 5,5                           | 3,7        | <b>H216 - 41 ... - 750N6</b> |
|   |         |               | 25                        | 7,5                           | 5,5        | <b>H220 - 41 ... - 750N6</b> |
|   |         |               | 32                        | 11                            | 7,5        | <b>H226 - 41 ... - 750N6</b> |
|   | 3 ... 4 | H200-B        | 40                        | 15                            | 11         | <b>H233 - 41 ... - 750N6</b> |
|   |         |               | 63                        | 22                            | 18,5       | <b>H263 - 41 ... - 750N6</b> |



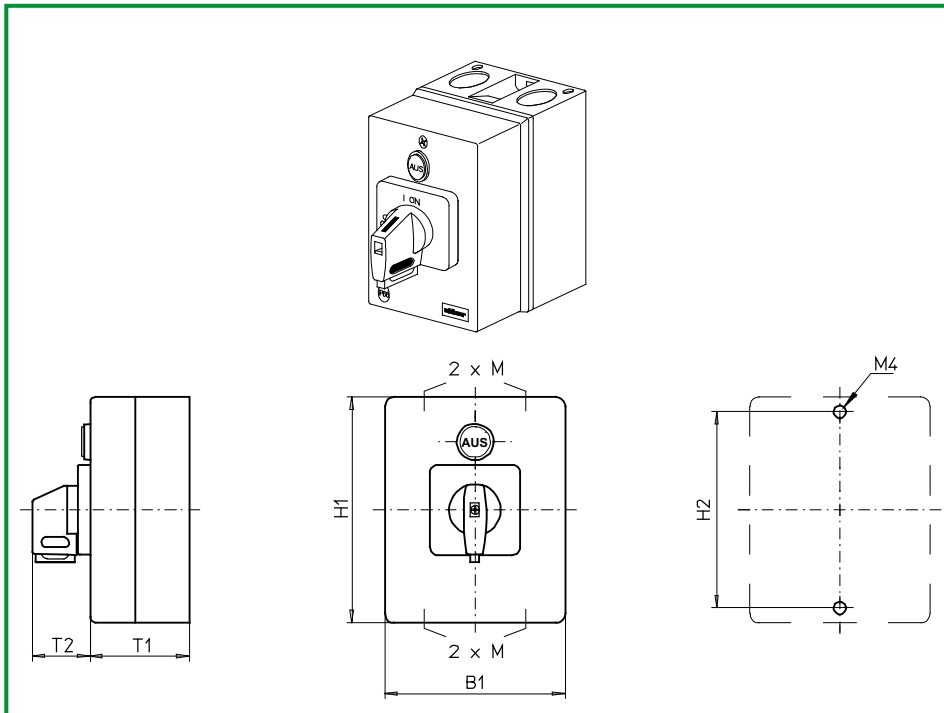
Note: For 3-pole switches uses the switching programmes 41311, 41322 and 41331, for 4-pole switches use the switching programme 41411.  
The auxiliary contact 21-22 (1 n/c) is reserved for the LES pilot light showing the OFF position of the main contacts.

| SMD modules for basic switch A02   |           |                     |
|--|-----------|---------------------|
| Mounting form module for 750N6   | H200-A    | <b>BFA2 - E7</b>    |
| Mounting form module for 750N6   | H200-B    | <b>BFB2 - E7</b>    |
| Enclosure module, mounting form 750N6<br>Escutcheon grey, padlockable handle black | H200-A/-B | <b>PAH2 - 750N6</b> |

| Dimensions (mm) |     |     |     |    |       |     |
|-----------------|-----|-----|-----|----|-------|-----|
| Product lines   | H1  | B1  | T1  | T2 | 2xM   | H2  |
| H200-A          | 175 | 115 | 100 | 33 | 20/25 | 165 |
| H200-B          | 175 | 115 | 100 | 33 | 20/25 | 165 |

# Enclosed Switches

# sälzer



**Product lines**  
**H200-A/-B**

**Enclosed switch**

**Insulated enclosure**  
175 x 115 x 100 mm

with cover interlock  
in ON position

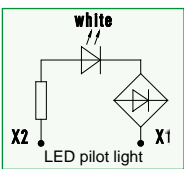
with N/PE connection link

LED pilot light white  
"OFF", LED for 230 VAC

**Cable entries**  
4 x M20/M25

**750V1** (IP66)

**750V4** (IP66)

| Complete switch   | Poles   | Product lines | Rated data (IEC 60947)             |                               |                              | Order code number            |     |                              |
|---|---------|---------------|------------------------------------|-------------------------------|------------------------------|------------------------------|-----|------------------------------|
|   |         |               | Operational current I <sub>e</sub> | Operational power at 380–440V |                              |                              |     |                              |
|   |         |               | AC-21A<br>A                        | AC-23A<br>kW                  | AC-3<br>kW                   |                              |     |                              |
| Main Switches<br>OFF position padlockable 09h                                       | 3 ... 4 | H200-A        | 20                                 | 5,5                           | 3,7                          | <b>H216 - 41 ... - 750V1</b> |     |                              |
|   |         |               | 25                                 | 7,5                           | 5,5                          | <b>H220 - 41 ... - 750V1</b> |     |                              |
|   |         |               | 32                                 | 11                            | 7,5                          | <b>H226 - 41 ... - 750V1</b> |     |                              |
|   |         |               | 40                                 | 15                            | 11                           | <b>H233 - 41 ... - 750V1</b> |     |                              |
| Main/Emergency-Off Switches<br>OFF position padlockable 09h                         | 3 ... 4 | H200-B        | 63                                 | 22                            | 18,5                         | <b>H263 - 41 ... - 750V1</b> |     |                              |
|   |         |               | 3 ... 4                            | H200-A                        | 20                           | 5,5                          | 3,7 | <b>H216 - 41 ... - 750V4</b> |
|   |         |               |                                    |                               | 25                           | 7,5                          | 5,5 | <b>H220 - 41 ... - 750V4</b> |
|   |         |               |                                    |                               | 32                           | 11                           | 7,5 | <b>H226 - 41 ... - 750V4</b> |
| 40  | 15      | 11            |                                    |                               | <b>H233 - 41 ... - 750V4</b> |                              |     |                              |
|  | 3 ... 4 | H200-B        | 63                                 | 22                            | 18,5                         | <b>H263 - 41 ... - 750V4</b> |     |                              |

Note: For 3-pole switches uses the switching programmes 41311, 41322 and 41331, for 4-pole switches use the switching programme 41411.  
The auxiliary contact 21-22 (1 n/c) is reserved for the LES pilot light showing the OFF position of the main contacts.

## SMD modules for basic switch A02

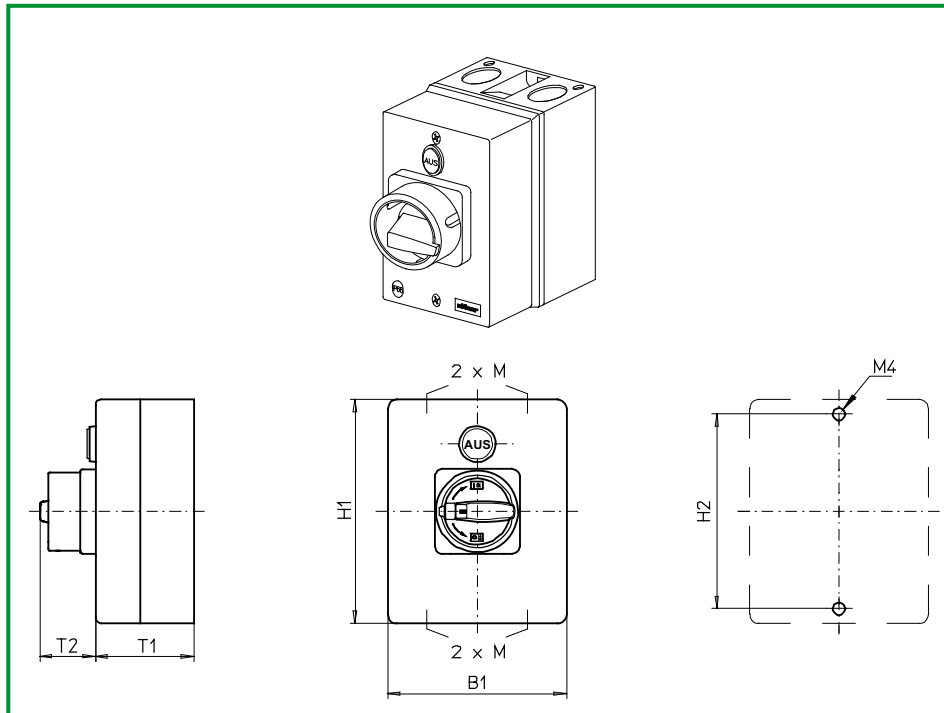
|   |           |                                |
|---|-----------|--------------------------------|
| Mounting form module for 750V1/750V4        | H200-A    | <b>BFA2 - E7</b>               |
| Mounting form module for 750V1/750V4        | H200-B    | <b>BFB2 - E7</b>               |
| Enclosure module, mounting form 750V1       | H200-A/-B | <b>PAH2 - 750V1</b>            |
| Enclosure module, mounting form 750V4       | H200-A/-B | <b>PAH2 - 750V4</b>            |
| Legend plate silver, enclosure module 750V1 | H200-A/-B | <b>FAS4 - 9...</b> (FA number) |
| Legend plate yellow, enclosure module 750V4 | H200-A/-B | <b>FBS4 - 9...</b> (FA number) |

## Dimensions (mm)

| Product lines | H1  | B1  | T1  | T2 | 2xM   | H2  |
|---------------|-----|-----|-----|----|-------|-----|
| H200-A        | 175 | 115 | 100 | 39 | 20/25 | 165 |
| H200-B        | 175 | 115 | 100 | 39 | 20/25 | 165 |

# Enclosed Switches

# sälzer



**Product lines**  
**H200-A/-B**

**Enclosed switch**

**Insulated enclosure**  
175 x 115 x 100 mm

with cover interlock  
in ON position

with N/PE connection link

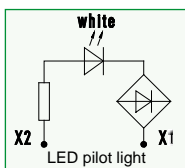
LED pilot light white  
"OFF", LED for 24 VDC

**Cable entries**  
4 x M20/M25

**755M1** (IP66)

**755M4** (IP66)

| Complete switch   | Poles   | Product lines | Rated data (IEC 60947)             |                               |            | Order code number            |
|---|---------|---------------|------------------------------------|-------------------------------|------------|------------------------------|
|   |         |               | Operational current I <sub>e</sub> | Operational power at 380–440V |            |                              |
|   |         |               | AC-21A<br>A                        | AC-23A<br>kW                  | AC-3<br>kW |                              |
| Main Switches<br>OFF position padlockable 09h               | 3 ... 4 | H200-A        | 20                                 | 5,5                           | 3,7        | <b>H216 - 41 ... - 755M1</b> |
|   |         |               | 25                                 | 7,5                           | 5,5        | <b>H220 - 41 ... - 755M1</b> |
|   |         |               | 32                                 | 11                            | 7,5        | <b>H226 - 41 ... - 755M1</b> |
|   |         |               | 40                                 | 15                            | 11         | <b>H233 - 41 ... - 755M1</b> |
|   | 3 ... 4 | H200-B        | 63                                 | 22                            | 18,5       | <b>H263 - 41 ... - 755M1</b> |
| Main/Emergency-Off Switches<br>OFF position padlockable 09h | 3 ... 4 | H200-A        | 20                                 | 5,5                           | 3,7        | <b>H216 - 41 ... - 755M4</b> |
|   |         |               | 25                                 | 7,5                           | 5,5        | <b>H220 - 41 ... - 755M4</b> |
|   |         |               | 32                                 | 11                            | 7,5        | <b>H226 - 41 ... - 755M4</b> |
|   |         |               | 40                                 | 15                            | 11         | <b>H233 - 41 ... - 755M4</b> |
|   | 3 ... 4 | H200-B        | 63                                 | 22                            | 18,5       | <b>H263 - 41 ... - 750M4</b> |



Note: For 3-pole switches uses the switching programmes 41311, 41322 and 41331, for 4-pole switches use the switching programme 41411.  
The auxiliary contact 21-22 (1 n/c) is reserved for the LES pilot light showing the OFF position of the main contacts.

| SMD modules for basic switch A02      |           |                     |
|---------------------------------------|-----------|---------------------|
| Mounting form module for 755M1/755M4  | H200-A    | <b>BFA2 - E7</b>    |
| Mounting form module for 755M1/755M4  | H200-B    | <b>BFB2 - E7</b>    |
| Enclosure module, mounting form 755M1 | H200-A/-B | <b>PAH2 - 755M1</b> |
| Enclosure module, mounting form 755M4 | H200-A/-B | <b>PAH2 - 755M4</b> |

| Dimensions (mm) |     |     |     |    |       |     |
|-----------------|-----|-----|-----|----|-------|-----|
| Product lines   | H1  | B1  | T1  | T2 | 2xM   | H2  |
| H200-A          | 175 | 115 | 100 | 38 | 20/25 | 165 |
| H200-B          | 175 | 115 | 100 | 38 | 20/25 | 165 |

# Enclosed Switches

# sälzer

**Product lines**  
**H200-A/-B**

**Enclosed switch**

**Insulated enclosure**  
175 x 115 x 100 mm

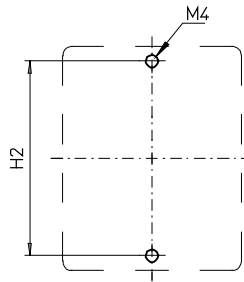
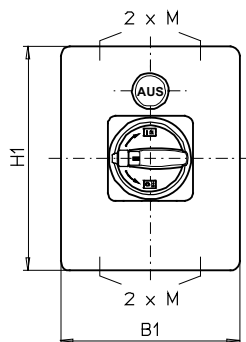
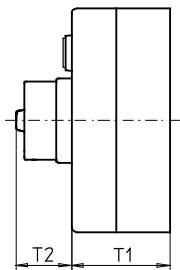
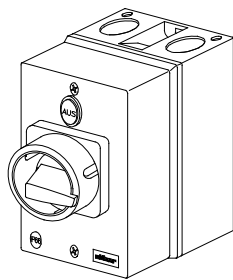
with cover interlock  
in ON position

with N/PE connection link

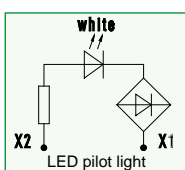
LED pilot light white  
"OFF", LED for 24 VDC

**Cable entries**  
4 x M20/M25

**755M6** (IP66)



| Complete switch                               | Poles   | Product lines | Rated data (IEC 60947)             |                               |            | Order code number            |
|---|---------|---------------|------------------------------------|-------------------------------|------------|------------------------------|
|   |         |               | Operational current I <sub>e</sub> | Operational power at 380–440V |            |                              |
|   |         |               | AC-21A<br>A                        | AC-23A<br>kW                  | AC-3<br>kW |                              |
| Main Switches<br>OFF position padlockable 09h | 3 ... 4 | H200-A        | 20                                 | 5,5                           | 3,7        | <b>H216 - 41 ... - 755M6</b> |
|   |         |               | 25                                 | 7,5                           | 5,5        | <b>H220 - 41 ... - 755M6</b> |
|   |         |               | 32                                 | 11                            | 7,5        | <b>H226 - 41 ... - 755M6</b> |
|   |         |               | 40                                 | 15                            | 11         | <b>H233 - 41 ... - 755M6</b> |
|   | 3 ... 4 | H200-B        | 63                                 | 22                            | 18,5       | <b>H263 - 41 ... - 755M6</b> |



Note: For 3-pole switches uses the switching programmes 41311, 41322 and 41331, for 4-pole switches use the switching programme 41411.  
The auxiliary contact 21-22 (1 n/c) is reserved for the LES pilot light showing the OFF position of the main contacts.

### SMD modules for basic switch A02

|  |           |                     |
|--|-----------|---------------------|
| Mounting form module for 755M6   | H200-A    | <b>BFA2 - E7</b>    |
| Mounting form module for 755M6   | H200-B    | <b>BFB2 - E7</b>    |
| Enclosure module, mounting form 755M6<br>Escutcheon grey, padlockable handle black | H200-A/-B | <b>PAH2 - 755M6</b> |

### Dimensions (mm)

| Product lines | H1  | B1  | T1  | T2 | 2xM   | H2  |
|---------------|-----|-----|-----|----|-------|-----|
| H200-A        | 175 | 115 | 100 | 38 | 20/25 | 165 |
| H200-B        | 175 | 115 | 100 | 38 | 20/25 | 165 |

# Enclosed Switches

# sälzer

**Product lines**  
**H200-A/-B**

**Enclosed switch**

**Insulated enclosure**  
175 x 115 x 100 mm

with cover interlock  
in ON position

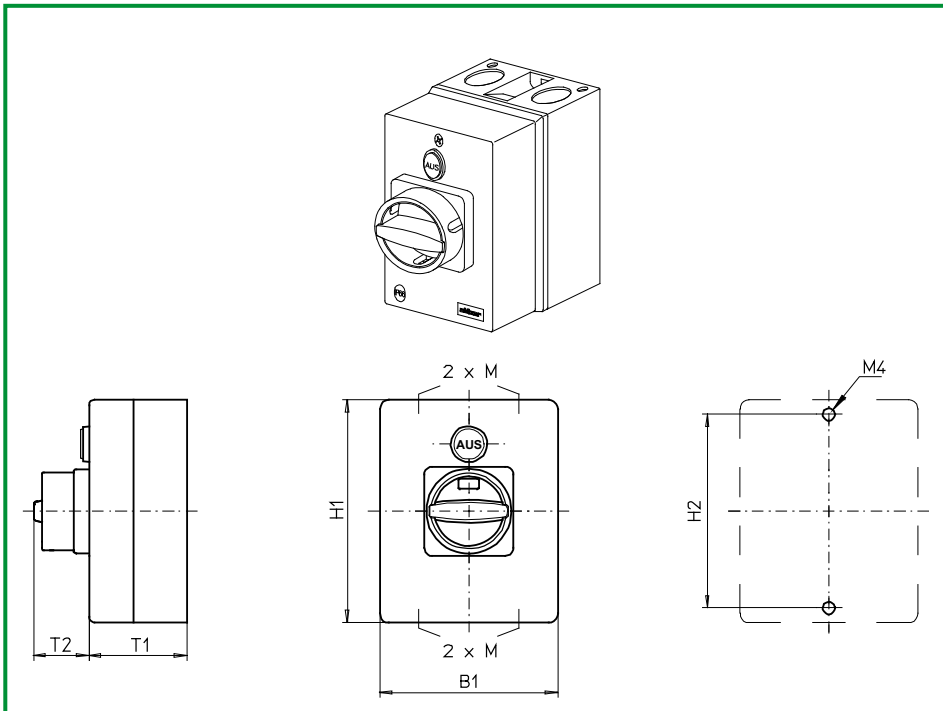
with N/PE connection link

LED pilot light white  
"OFF", LED for 24 VDC

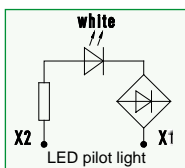
**Cable entries**  
4 x M20/M25

**755N1** (IP66)

**755N4** (IP66)



| Complete switch   | Poles   | Product lines | Rated data (IEC 60947)             |                               |                              | Order code number            |     |                              |
|---|---------|---------------|------------------------------------|-------------------------------|------------------------------|------------------------------|-----|------------------------------|
|   |         |               | Operational current I <sub>e</sub> | Operational power at 380–440V |                              |                              |     |                              |
|   |         |               | AC-21A<br>A                        | AC-23A<br>kW                  | AC-3<br>kW                   |                              |     |                              |
| Main Switches<br>OFF position padlockable 12h               | 3 ... 4 | H200-A        | 20                                 | 5,5                           | 3,7                          | <b>H216 - 41 ... - 755N1</b> |     |                              |
|   |         |               | 25                                 | 7,5                           | 5,5                          | <b>H220 - 41 ... - 755N1</b> |     |                              |
|   |         |               | 32                                 | 11                            | 7,5                          | <b>H226 - 41 ... - 755N1</b> |     |                              |
|   |         |               | 40                                 | 15                            | 11                           | <b>H233 - 41 ... - 755N1</b> |     |                              |
| Main/Emergency-Off Switches<br>OFF position padlockable 12h | 3 ... 4 | H200-B        | 63                                 | 22                            | 18,5                         | <b>H263 - 41 ... - 755N1</b> |     |                              |
|   |         |               | 3 ... 4                            | H200-A                        | 20                           | 5,5                          | 3,7 | <b>H216 - 41 ... - 755N4</b> |
|   |         |               |                                    |                               | 25                           | 7,5                          | 5,5 | <b>H220 - 41 ... - 755N4</b> |
|   |         |               |                                    |                               | 32                           | 11                           | 7,5 | <b>H226 - 41 ... - 755N4</b> |
| 40  | 15      | 11            |                                    |                               | <b>H233 - 41 ... - 755N4</b> |                              |     |                              |
|   | 3 ... 4 | H200-B        | 63                                 | 22                            | 18,5                         | <b>H263 - 41 ... - 755N4</b> |     |                              |



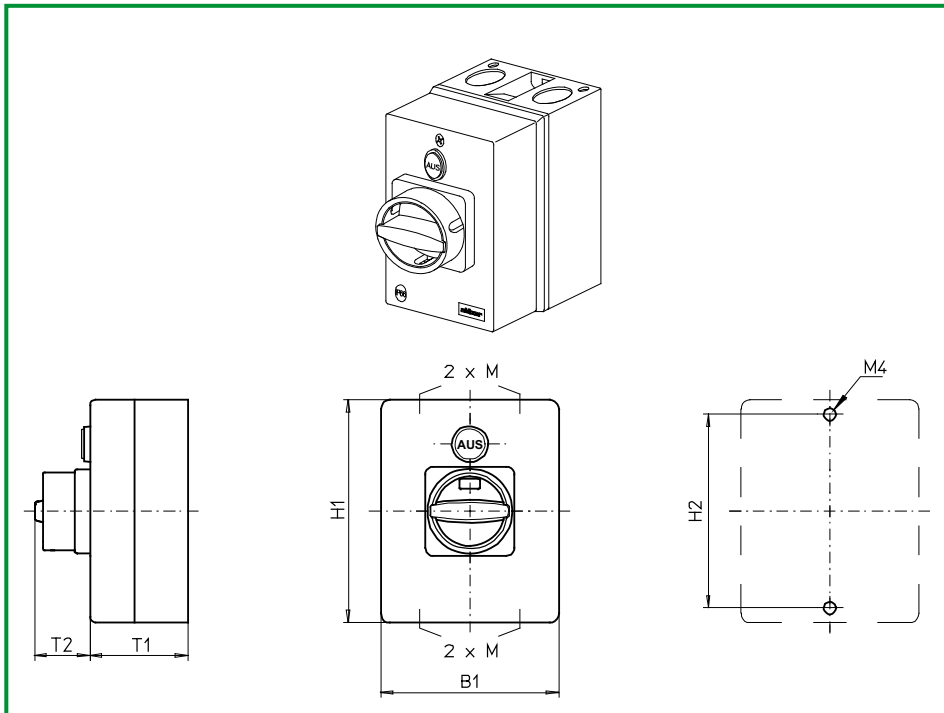
Note: For 3-pole switches uses the switching programmes 41311, 41322 and 41331, for 4-pole switches use the switching programme 41411.  
The auxiliary contact 21-22 (1 n/c) is reserved for the LES pilot light showing the OFF position of the main contacts.

## SMD modules for basic switch A02

|                                       |           |                     |
|---------------------------------------|-----------|---------------------|
| Mounting form module for 755N1/755N4  | H200-A    | <b>BFA2 - E7</b>    |
| Mounting form module for 755N1/755N4  | H200-B    | <b>BFB2 - E7</b>    |
| Enclosure module, mounting form 755N1 | H200-A/-B | <b>PAH2 - 755N1</b> |
| Enclosure module, mounting form 755N4 | H200-A/-B | <b>PAH2 - 755N4</b> |

## Dimensions (mm)

| Product lines | H1  | B1  | T1  | T2 | 2xM   | H2  |
|---------------|-----|-----|-----|----|-------|-----|
| H200-A        | 175 | 115 | 100 | 33 | 20/25 | 165 |
| H200-B        | 175 | 115 | 100 | 33 | 20/25 | 165 |



**Product lines**  
**H200-A/-B**

**Enclosed switch**

**Insulated enclosure**

175 x 115 x 100 mm

with cover interlock  
in ON position

with N/PE connection link

LED pilot light white  
"OFF", LED for 24 VDC

**Cable entries**

4 x M20/M25

**755N6** (IP66)

| Complete switch                               | Poles   | Product lines | Rated data (IEC 60947)             |                               |            | Order code number            |
|---|---------|---------------|------------------------------------|-------------------------------|------------|------------------------------|
|   |         |               | Operational current I <sub>e</sub> | Operational power at 380–440V |            |                              |
|   |         |               | AC-21A<br>A                        | AC-23A<br>kW                  | AC-3<br>kW |                              |
| Main Switches<br>OFF position padlockable 12h | 3 ... 4 | H200-A        | 20                                 | 5,5                           | 3,7        | <b>H216 - 41 ... - 755N6</b> |
|   |         |               | 25                                 | 7,5                           | 5,5        | <b>H220 - 41 ... - 755N6</b> |
|   |         |               | 32                                 | 11                            | 7,5        | <b>H226 - 41 ... - 755N6</b> |
|   |         |               | 40                                 | 15                            | 11         | <b>H233 - 41 ... - 755N6</b> |
|   | 3 ... 4 | H200-B        | 63                                 | 22                            | 18,5       | <b>H263 - 41 ... - 755N6</b> |

Note: For 3-pole switches uses the switching programmes 41311, 41322 and 41331, for 4-pole switches use the switching programme 41411.  
The auxiliary contact 21-22 (1 n/c) is reserved for the LES pilot light showing the OFF position of the main contacts.

| SMD modules for basic switch A02   |           |                     |
|--|-----------|---------------------|
| Mounting form module for 755N6   | H200-A    | <b>BFA2 - E7</b>    |
| Mounting form module for 755N6   | H200-B    | <b>BFB2 - E7</b>    |
| Enclosure module, mounting form 755N6<br>Escutcheon grey, padlockable handle black | H200-A/-B | <b>PAH2 - 755N6</b> |

| Dimensions (mm) |     |     |     |    |       |     |
|-----------------|-----|-----|-----|----|-------|-----|
| Product lines   | H1  | B1  | T1  | T2 | 2xM   | H2  |
| H200-A          | 175 | 115 | 100 | 33 | 20/25 | 165 |
| H200-B          | 175 | 115 | 100 | 33 | 20/25 | 165 |



# Enclosed Switches

# sälzer

**Product lines**  
**H200-A/-B**

**Enclosed switch**

**Insulated enclosure**  
175 x 115 x 100 mm

with cover interlock  
in ON position

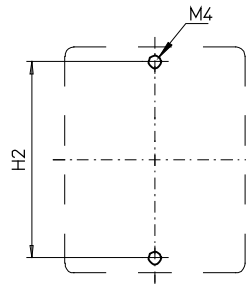
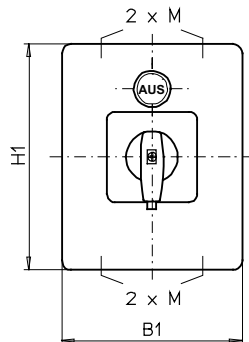
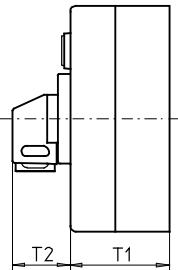
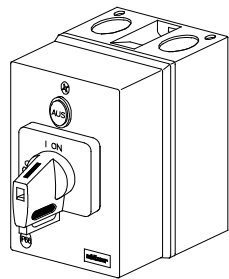
with N/PE connection link

LED pilot light white  
"OFF", LED for 24 VDC

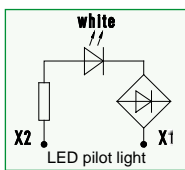
**Cable entries**  
4 x M20/M25

**755V1** (IP66)

**755V4** (IP66)



| Complete switch   | Poles   | Product lines | Rated data (IEC 60947)             |                               |                              | Order code number            |     |                              |
|---|---------|---------------|------------------------------------|-------------------------------|------------------------------|------------------------------|-----|------------------------------|
|   |         |               | Operational current I <sub>e</sub> | Operational power at 380–440V |                              |                              |     |                              |
|   |         |               | AC-21A<br>A                        | AC-23A<br>kW                  | AC-3<br>kW                   |                              |     |                              |
| Main Switches<br>OFF position padlockable 09h               | 3 ... 4 | H200-A        | 20                                 | 5,5                           | 3,7                          | <b>H216 - 41 ... - 755V1</b> |     |                              |
|   |         |               | 25                                 | 7,5                           | 5,5                          | <b>H220 - 41 ... - 755V1</b> |     |                              |
|   |         |               | 32                                 | 11                            | 7,5                          | <b>H226 - 41 ... - 755V1</b> |     |                              |
|   |         |               | 40                                 | 15                            | 11                           | <b>H233 - 41 ... - 755V1</b> |     |                              |
| Main/Emergency-Off Switches<br>OFF position padlockable 09h | 3 ... 4 | H200-B        | 63                                 | 22                            | 18,5                         | <b>H263 - 41 ... - 755V1</b> |     |                              |
|   |         |               | 3 ... 4                            | H200-A                        | 20                           | 5,5                          | 3,7 | <b>H216 - 41 ... - 755V4</b> |
|   |         |               |                                    |                               | 25                           | 7,5                          | 5,5 | <b>H220 - 41 ... - 755V4</b> |
|   |         |               |                                    |                               | 32                           | 11                           | 7,5 | <b>H226 - 41 ... - 755V4</b> |
| 40  | 15      | 11            |                                    |                               | <b>H233 - 41 ... - 755V4</b> |                              |     |                              |
|   | 3 ... 4 | H200-B        | 63                                 | 22                            | 18,5                         | <b>H263 - 41 ... - 755V4</b> |     |                              |



Note: For 3-pole switches uses the switching programmes 41311, 41322 and 41331, for 4-pole switches use the switching programme 41411.  
The auxiliary contact 21-22 (1 n/c) is reserved for the LES pilot light showing the OFF position of the main contacts.

### SMD modules for basic switch A02

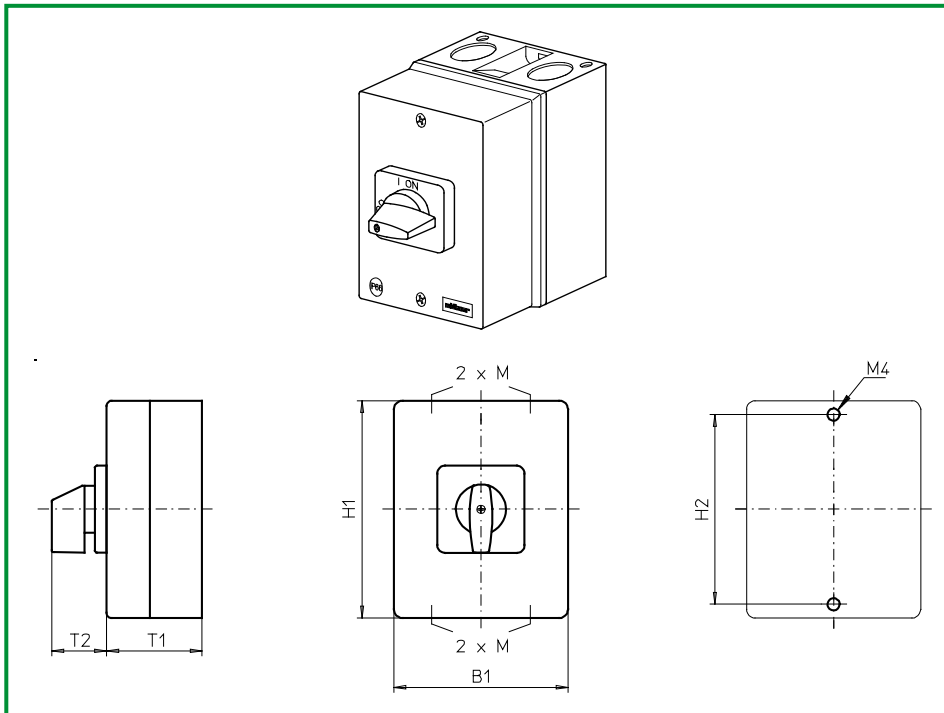
|   |           |                                |
|---|-----------|--------------------------------|
| Mounting form module for 755V1/755V4        | H200-A    | <b>BFA2 - E7</b>               |
| Mounting form module for 755V1/755V4        | H200-B    | <b>BFB2 - E7</b>               |
| Enclosure module, mounting form 755V1       | H200-A/-B | <b>PAH2 - 755V1</b>            |
| Enclosure module, mounting form 755V4       | H200-A/-B | <b>PAH2 - 755V4</b>            |
| Legend plate silver, enclosure module 755V1 | H200-A/-B | <b>FAS4 - 9...</b> (FA number) |
| Legend plate yellow, enclosure module 755V4 | H200-A/-B | <b>FBS4 - 9...</b> (FA number) |

### Dimensions (mm)

| Product lines | H1  | B1  | T1  | T2 | 2xM   | H2  |
|---------------|-----|-----|-----|----|-------|-----|
| H200-A        | 175 | 115 | 100 | 39 | 20/25 | 165 |
| H200-B        | 175 | 115 | 100 | 39 | 20/25 | 165 |

# Enclosed Switches

**sälzer**



**Product line  
H200-D**

**Enclosed switch**

**Insulated enclosure**

250 × 160 × 95 mm  
without cover interlock  
with N/PE connection link

**Cable entries**

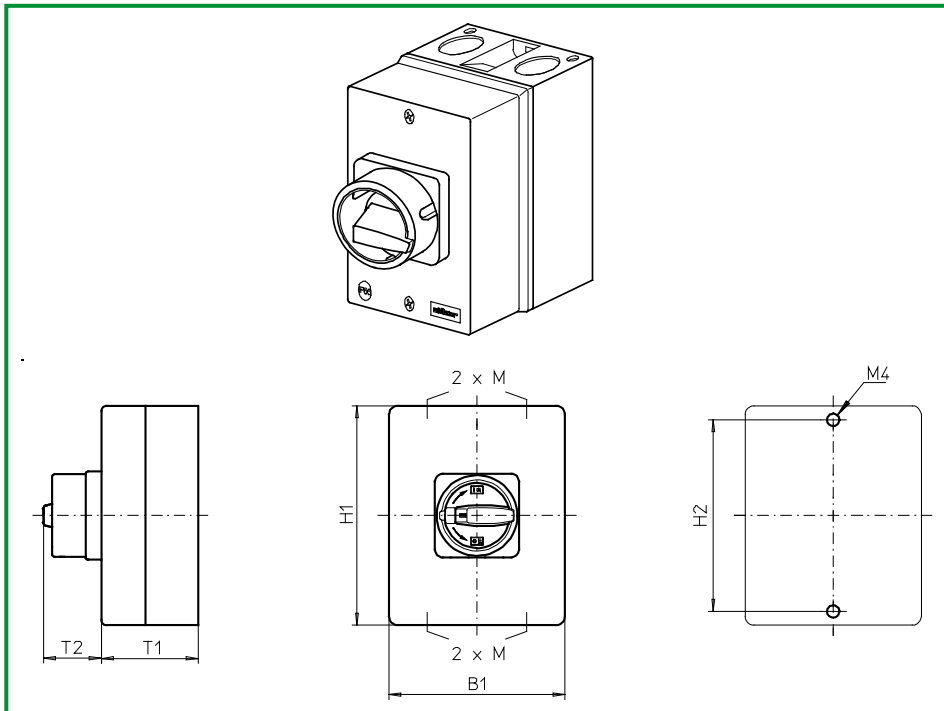
4 × M25/M32

**476M1** (IP66)

| Complete switch                             | Poles     | Product lines | Rated data (IEC 60947)             |                               |            | Order code number              |
|---|-----------|---------------|------------------------------------|-------------------------------|------------|--------------------------------|
|   |           |               | Operational current I <sub>e</sub> | Operational power at 380–440V |            |                                |
|   |           |               | AC-21A<br>A                        | AC-23A<br>kW                  | AC-3<br>kW |                                |
| ON-OFF Switches<br>Switching angle 90°      | 6 ... 8   | H200-D        | 20                                 | 5,5                           | 3,7        | <b>H216 - 41 ... - 476M1</b>   |
|   |           |               | 25                                 | 7,5                           | 5,5        | <b>H220 - 41 ... - 476M1</b>   |
|   |           |               | 32                                 | 11                            | 7,5        | <b>H226 - 41 ... - 476M1</b>   |
|   |           |               | 40                                 | 15                            | 11         | <b>H233 - 41 ... - 476M1</b>   |
| <b>SMD modules for basic switch A02</b>     |           |               |                                    |                               |            |                                |
| Mounting form module (switch module EA)     |           |               |                                    | H200-D                        |            | <b>BFB2 - EA</b>               |
| Enclosure module, mounting form 476M1       |           |               |                                    | H200-D                        |            | <b>PAH2 - 476M1</b>            |
| Legend plate silver, enclosure module 476M1 |           |               |                                    | H200-D                        |            | <b>FAS4 - 9...</b> (FA number) |
| <b>Dimensions (mm)</b>                      |           |               |                                    |                               |            |                                |
| <b>Product line</b>                         | <b>H1</b> | <b>B1</b>     | <b>T1</b>                          | <b>T2</b>                     | <b>2xM</b> | <b>H2</b>                      |
| H200-D                                      | 250       | 160           | 95                                 | 39                            | 25/32      | 240                            |

# Enclosed Switches

# sälzer



**Product line**  
**H200-D**

**Enclosed switch**

**Insulated enclosure**  
250 × 160 × 95 mm  
without cover interlock  
with N/PE connection link

**Cable entries**  
4 × M25/M32

**477M1** (IP66)

**477M4** (IP66)

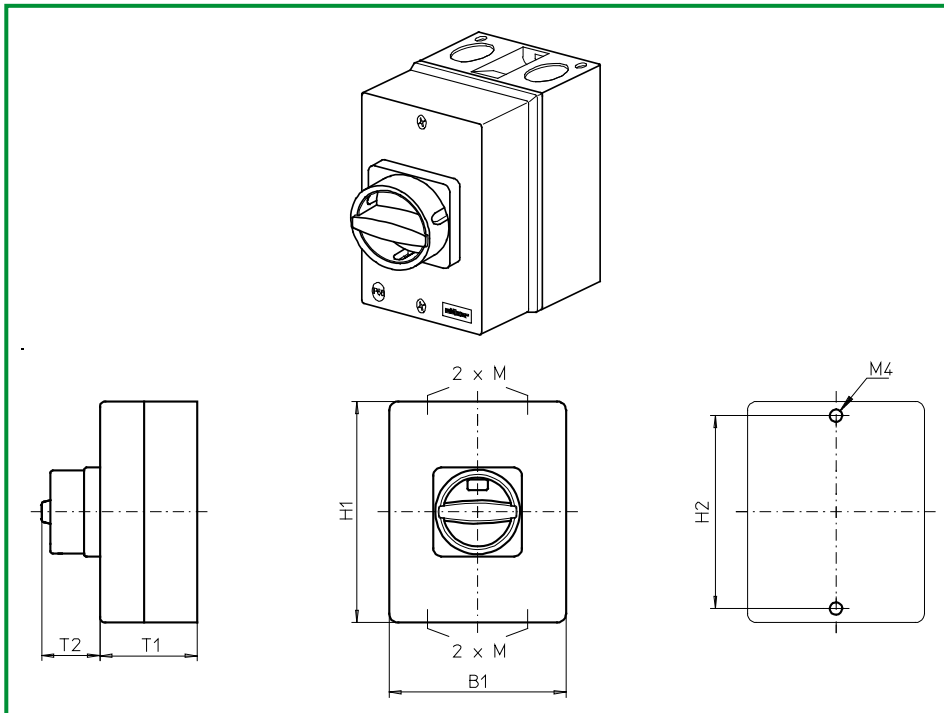
| Complete switch   | Poles   | Product lines | Rated data (IEC 60947)             |                               |            | Order code number            |
|---|---------|---------------|------------------------------------|-------------------------------|------------|------------------------------|
|   |         |               | Operational current I <sub>e</sub> | Operational power at 380–440V |            |                              |
|   |         |               | AC-21A<br>A                        | AC-23A<br>kW                  | AC-3<br>kW |                              |
| Main Switches<br>OFF position padlockable 09h               | 6 ... 8 | H200-D        | 20                                 | 5,5                           | 3,7        | <b>H216 - 41 ... - 477M1</b> |
|   |         |               | 25                                 | 7,5                           | 5,5        | <b>H220 - 41 ... - 477M1</b> |
|   |         |               | 32                                 | 11                            | 7,5        | <b>H226 - 41 ... - 477M1</b> |
|   |         |               | 40                                 | 15                            | 11         | <b>H233 - 41 ... - 477M1</b> |
| Main/Emergency-Off Switches<br>OFF position padlockable 09h | 6 ... 8 | H200-D        | 20                                 | 5,5                           | 3,7        | <b>H216 - 41 ... - 477M4</b> |
|   |         |               | 25                                 | 7,5                           | 5,5        | <b>H220 - 41 ... - 477M4</b> |
|   |         |               | 32                                 | 11                            | 7,5        | <b>H226 - 41 ... - 477M4</b> |
|   |         |               | 40                                 | 15                            | 11         | <b>H233 - 41 ... - 477M4</b> |

| SMD modules for basic switch A02        |  |        |                     |
|---|--|--------|---------------------|
| Mounting form module (switch module EA) |  | H200-D | <b>BFB2 - EA</b>    |
| Enclosure module, mounting form 477M1   |  | H200-D | <b>PAH2 - 477M1</b> |
| Enclosure module, mounting form 477M4   |  | H200-D | <b>PAH2 - 477M4</b> |

| Dimensions (mm) |     |     |    |    |       |     |
|-----------------|-----|-----|----|----|-------|-----|
| Product line    | H1  | B1  | T1 | T2 | 2xM   | H2  |
| H200-D          | 250 | 160 | 95 | 38 | 25/32 | 240 |

# Enclosed Switches

**sälzer**



**Product line**  
**H200-D**

**Enclosed switch**

**Insulated enclosure**

250 × 160 × 95 mm

without cover interlock

with N/PE connection link

**Cable entries**

4 × M25/M32

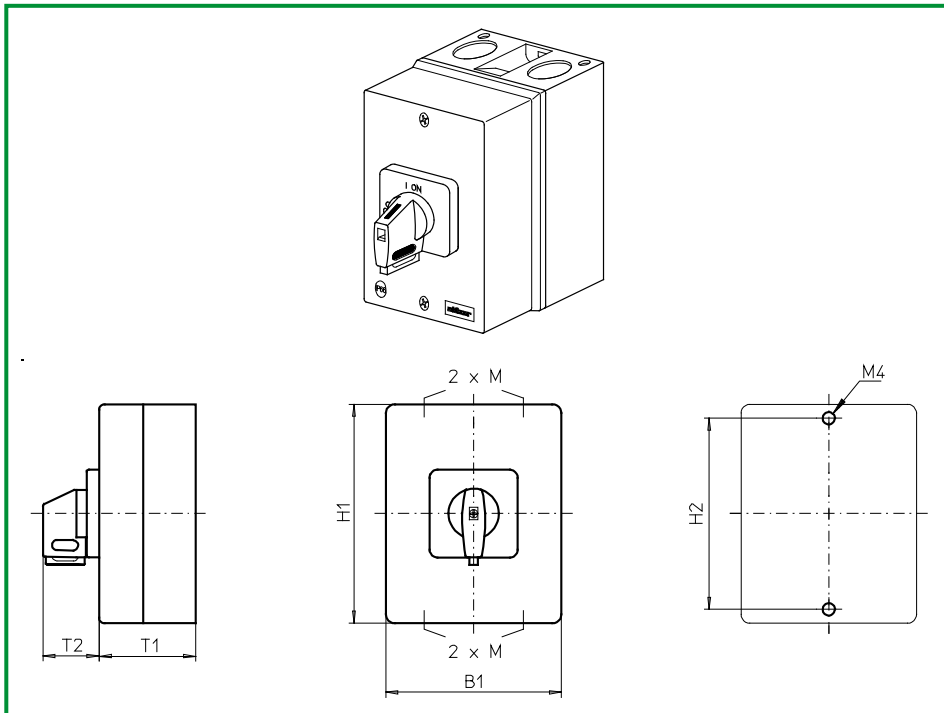
**477N1** (IP66)

**477N4** (IP66)

| Complete switch   | Poles     | Product lines | Rated data (IEC 60947)             |                               |            | Order code number            |
|---|-----------|---------------|------------------------------------|-------------------------------|------------|------------------------------|
|   |           |               | Operational current I <sub>e</sub> | Operational power at 380–440V |            |                              |
|   |           |               | AC-21A<br>A                        | AC-23A<br>kW                  | AC-3<br>kW |                              |
| Main Switches<br>OFF position padlockable 12h               | 6 ... 8   | H200-D        | 20                                 | 5,5                           | 3,7        | <b>H216 - 41 ... - 477N1</b> |
|   |           |               | 25                                 | 7,5                           | 5,5        | <b>H220 - 41 ... - 477N1</b> |
|   |           |               | 32                                 | 11                            | 7,5        | <b>H226 - 41 ... - 477N1</b> |
|   |           |               | 40                                 | 15                            | 11         | <b>H233 - 41 ... - 477N1</b> |
| Main/Emergency-Off Switches<br>OFF position padlockable 12h | 6 ... 8   | H200-D        | 20                                 | 5,5                           | 3,7        | <b>H216 - 41 ... - 477N4</b> |
|   |           |               | 25                                 | 7,5                           | 5,5        | <b>H220 - 41 ... - 477N4</b> |
|   |           |               | 32                                 | 11                            | 7,5        | <b>H226 - 41 ... - 477N4</b> |
|   |           |               | 40                                 | 15                            | 11         | <b>H233 - 41 ... - 477N4</b> |
| <b>SMD modules for basic switch A02</b>                     |           |               |                                    |                               |            |                              |
| Mounting form module (switch module EA)                     |           |               | H200-D                             |                               |            | <b>BFB2 - EA</b>             |
| Enclosure module, mounting form 477N1                       |           |               | H200-D                             |                               |            | <b>PAH2 - 477N1</b>          |
| Enclosure module, mounting form 477N4                       |           |               | H200-D                             |                               |            | <b>PAH2 - 477N4</b>          |
| <b>Dimensions (mm)</b>                                      |           |               |                                    |                               |            |                              |
| <b>Product line</b>   | <b>H1</b> | <b>B1</b>     | <b>T1</b>                          | <b>T2</b>                     | <b>2xM</b> | <b>H2</b>                    |
| H200-D  | 250       | 160           | 95                                 | 33                            | 25/32      | 240                          |

# Enclosed Switches

# sälzer



**Product line**  
**H200-D**

**Enclosed switch**

**Insulated enclosure**

250 × 160 × 95 mm

without cover interlock

with N/PE connection link

**Cable entries**

4 × M25/M32

**477V1** (IP66)

**477V4** (IP66)

| Complete switch   | Poles   | Product lines | Rated data (IEC 60947)             |                               |            | Order code number            |
|---|---------|---------------|------------------------------------|-------------------------------|------------|------------------------------|
|   |         |               | Operational current I <sub>e</sub> | Operational power at 380–440V |            |                              |
|   |         |               | AC-21A<br>A                        | AC-23A<br>kW                  | AC-3<br>kW |                              |
| Main Switches<br>OFF position padlockable 09h               | 6 ... 8 | H200-D        | 20                                 | 5,5                           | 3,7        | <b>H216 - 41 ... - 477V1</b> |
|   |         |               | 25                                 | 7,5                           | 5,5        | <b>H220 - 41 ... - 477V1</b> |
|   |         |               | 32                                 | 11                            | 7,5        | <b>H226 - 41 ... - 477V1</b> |
|   |         |               | 40                                 | 15                            | 11         | <b>H233 - 41 ... - 477V1</b> |
| Main/Emergency-Off Switches<br>OFF position padlockable 09h | 6 ... 8 | H200-D        | 20                                 | 5,5                           | 3,7        | <b>H216 - 41 ... - 477V4</b> |
|   |         |               | 25                                 | 7,5                           | 5,5        | <b>H220 - 41 ... - 477V4</b> |
|   |         |               | 32                                 | 11                            | 7,5        | <b>H226 - 41 ... - 477V4</b> |
|   |         |               | 40                                 | 15                            | 11         | <b>H233 - 41 ... - 477V4</b> |

### SMD modules for basic switch A02

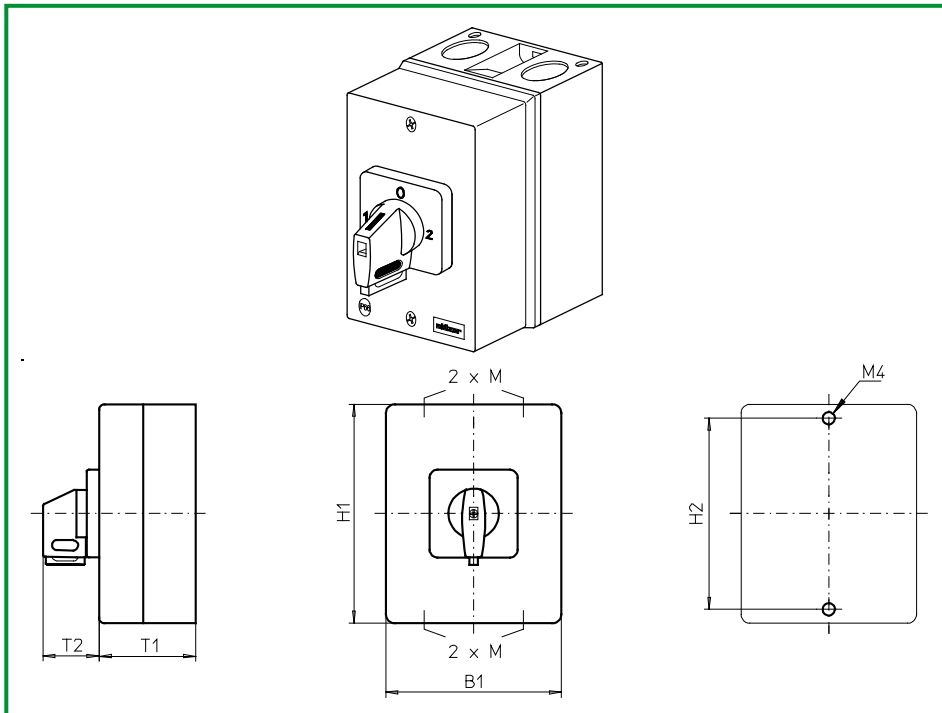
|   |        |                                |
|---|--------|--------------------------------|
| Mounting form module (switch module EA)     | H200-D | <b>BFB2 - EA</b>               |
| Enclosure module, mounting form 477V1       | H200-D | <b>PAH2 - 477V1</b>            |
| Enclosure module, mounting form 477V4       | H200-D | <b>PAH2 - 477V4</b>            |
| Legend plate silver, enclosure module 477V1 | H200-D | <b>FAS4 - 9...</b> (FA number) |
| Legend plate yellow, enclosure module 477V4 | H200-D | <b>FBS4 - 9...</b> (FA number) |

### Dimensions (mm)

| Product line | H1  | B1  | T1 | T2 | 2xM   | H2  |
|--------------|-----|-----|----|----|-------|-----|
| H200-D       | 250 | 160 | 95 | 39 | 25/32 | 240 |

# Enclosed Switches

# sälzer



**Product line**  
**H200-E**

**Enclosed switch**

**Insulated enclosure**

250 × 160 × 95 mm

without cover interlock

with N/PE connection link

**Cable entries**

4 × M25/M32

**476V1** (IP66)

**478V1** (IP66)

| Complete switch  | Poles     | Product lines | Rated data (IEC 60947)             |                               |            | Order code number              |
|--|-----------|---------------|------------------------------------|-------------------------------|------------|--------------------------------|
|  |           |               | Operational current I <sub>e</sub> | Operational power at 380–440V |            |                                |
|  |           |               | AC-21A<br>A                        | AC-23A<br>kW                  | AC-3<br>kW |                                |
| Changeover with OFF<br>Switching angle 90°<br>OFF position padlockable 12h             | 3 ... 4   | H200-E        | 20                                 | 5,5                           | 3,7        | <b>H216 - 71 ... - 476V1</b>   |
|  |           |               | 25                                 | 7,5                           | 5,5        | <b>H220 - 71 ... - 476V1</b>   |
|  |           |               | 32                                 | 11                            | 7,5        | <b>H226 - 71 ... - 476V1</b>   |
|  |           |               | 40                                 | 15                            | 11         | <b>H233 - 71 ... - 476V1</b>   |
| Changeover with OFF<br>Switching angle 90°<br>3 positions padlockable<br>(09h/12h/03h) | 3 ... 4   | H200-E        | 20                                 | 5,5                           | 3,7        | <b>H216 - 71 ... - 478V1</b>   |
|  |           |               | 25                                 | 7,5                           | 5,5        | <b>H220 - 71 ... - 478V1</b>   |
|  |           |               | 32                                 | 11                            | 7,5        | <b>H226 - 71 ... - 478V1</b>   |
|  |           |               | 40                                 | 15                            | 11         | <b>H233 - 71 ... - 478V1</b>   |
| <b>SMD modules for basic switch A02</b>  |           |               |                                    |                               |            |                                |
| Mounting form module (switch module EA)  |           |               | H200-E                             |                               |            | <b>BFI2 - EA</b>               |
| Enclosure module, mounting form 476V1  |           |               | H200-E                             |                               |            | <b>PAH2 - 476V1</b>            |
| Enclosure module, mounting form 478V1  |           |               | H200-E                             |                               |            | <b>PAH2 - 478V1</b>            |
| Legend plate silver, enclosure module 476V1/478V1                                      |           |               | H200-E                             |                               |            | <b>FAS4 - 9...</b> (FA number) |
| <b>Dimensions (mm)</b>   |           |               |                                    |                               |            |                                |
| <b>Product line</b>  | <b>H1</b> | <b>B1</b>     | <b>T1</b>                          | <b>T2</b>                     | <b>2xM</b> | <b>H2</b>                      |
| H200-E   | 250       | 160           | 95                                 | 39                            | 25/32      | 240                            |

# Enclosed Switches

# sälzer

**Product line**  
**H200-E**

**Enclosed switch**

**Insulated enclosure**

250 × 160 × 95 mm

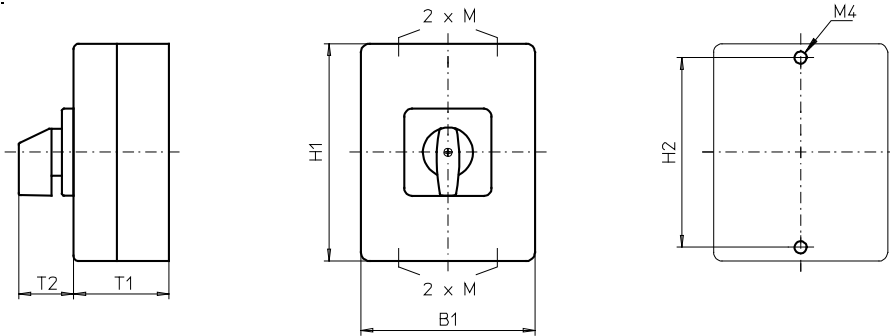
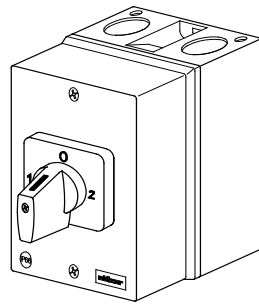
without cover interlock

with N/PE connection link

**Cable entries**

4 × M25/M32

**478M1** (IP66)



| Complete switch                            | Poles   | Product lines | Rated data (IEC 60947)    |                               |            | Order code number            |
|--|---------|---------------|---------------------------|-------------------------------|------------|------------------------------|
|  |         |               | Operational current $I_e$ | Operational power at 380–440V |            |                              |
|  |         |               | AC-21A<br>A               | AC-23A<br>kW                  | AC-3<br>kW |                              |
| Changeover with OFF<br>Switching angle 90° | 3 ... 4 | H200-E        | 20                        | 5,5                           | 3,7        | <b>H216 - 71 ... - 478M1</b> |
|  |         |               | 25                        | 7,5                           | 5,5        | <b>H220 - 71 ... - 478M1</b> |
|  |         |               | 32                        | 11                            | 7,5        | <b>H226 - 71 ... - 478M1</b> |
|  |         |               | 40                        | 15                            | 11         | <b>H233 - 71 ... - 478M1</b> |

### SMD modules for basic switch A02

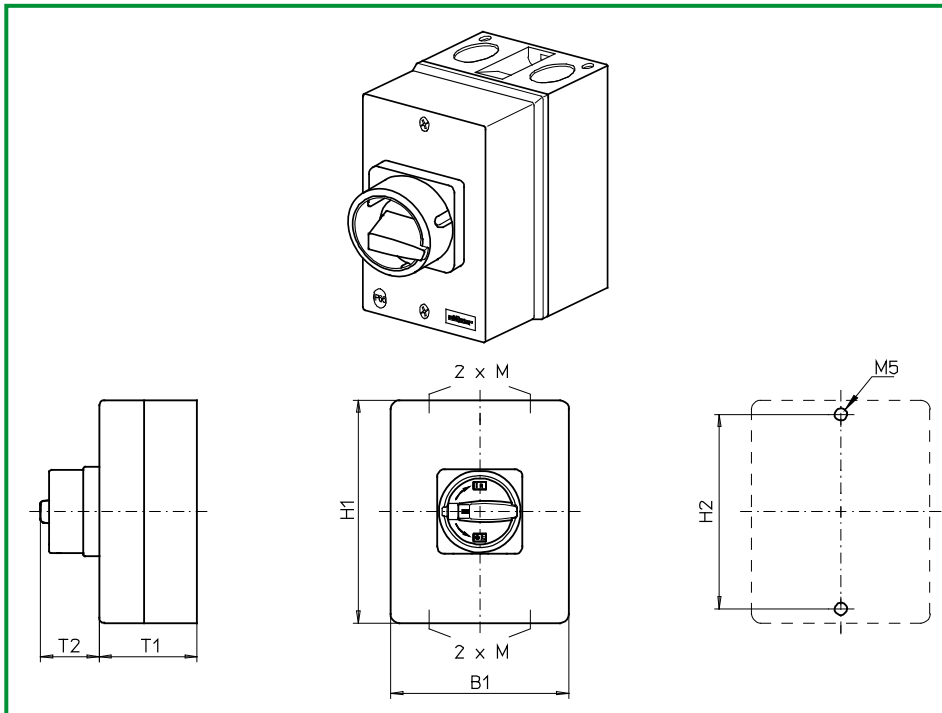
|   |        |                                |
|---|--------|--------------------------------|
| Mounting form module (switch module EA)     | H200-E | <b>BFI2 - EA</b>               |
| Enclosure module, mounting form 478M1       | H200-E | <b>PAH2 - 478M1</b>            |
| Legend plate silver, enclosure module 478M1 | H200-E | <b>FAS4 - 9...</b> (FA number) |

### Dimensions (mm)

| Product line | H1  | B1  | T1 | T2 | 2xM   | H2  |
|--------------|-----|-----|----|----|-------|-----|
| H200-E       | 250 | 160 | 95 | 39 | 25/32 | 240 |

# Enclosed Switches

# sälzer



**Product line**  
**H200-A**

**Enclosed switch**

**Insulated enclosure**  
250 × 160 × 120 mm

with cover interlock  
in ON position

with N/PE connection link

**Cable entries**  
4 × M32/M40

**730M1** (IP66)

**730M4** (IP66)

| Complete switch   | Poles   | Product lines | Rated data (IEC 60947)             |                               |            | Order code number            |
|---|---------|---------------|------------------------------------|-------------------------------|------------|------------------------------|
|   |         |               | Operational current I <sub>e</sub> | Operational power at 380–440V |            |                              |
|   |         |               | AC-21A<br>A                        | AC-23A<br>kW                  | AC-3<br>kW |                              |
| Main Switches<br>OFF position padlockable 09h               | 3 ... 4 | H200-A        | 20                                 | 5,5                           | 3,7        | <b>H216 - 41 ... - 730M1</b> |
|   |         |               | 25                                 | 7,5                           | 5,5        | <b>H220 - 41 ... - 730M1</b> |
|   |         |               | 32                                 | 11                            | 7,5        | <b>H226 - 41 ... - 730M1</b> |
|   |         |               | 40                                 | 15                            | 11         | <b>H233 - 41 ... - 730M1</b> |
| Main/Emergency-Off Switches<br>OFF position padlockable 09h | 3 ... 4 | H200-A        | 20                                 | 5,5                           | 3,7        | <b>H216 - 41 ... - 730M4</b> |
|   |         |               | 25                                 | 7,5                           | 5,5        | <b>H220 - 41 ... - 730M4</b> |
|   |         |               | 32                                 | 11                            | 7,5        | <b>H226 - 41 ... - 730M4</b> |
|   |         |               | 40                                 | 15                            | 11         | <b>H233 - 41 ... - 730M4</b> |

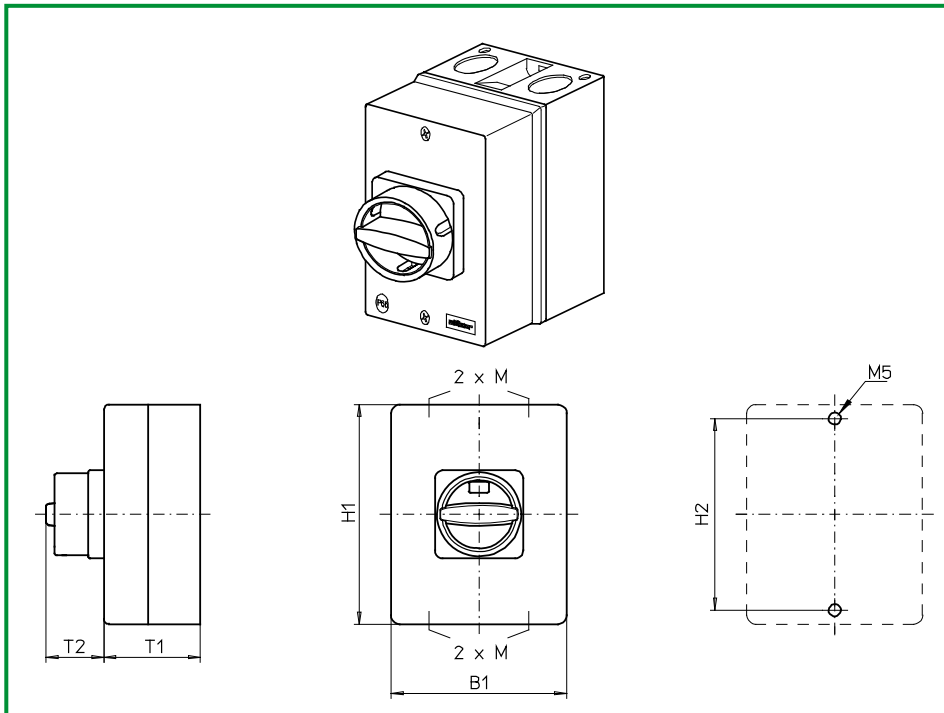
| SMD modules for basic switch A02        |        |                     |
|---|--------|---------------------|
| Mounting form module (switch module ED) | H200-A | <b>BFA2 - ED</b>    |
| Enclosure module, mounting form 730M1   |        | <b>PAH2 - 730M1</b> |
| Enclosure module, mounting form 730M4   |        | <b>PAH2 - 730M4</b> |

| Dimensions (mm) |     |     |     |    |       |     |
|-----------------|-----|-----|-----|----|-------|-----|
| Product line    | H1  | B1  | T1  | T2 | 2xM   | H2  |
| H200-A          | 250 | 160 | 120 | 38 | 32/40 | 235 |



# Enclosed Switches

# sälzer



**Product line**  
**H200-A**

**Enclosed switch**

**Insulated enclosure**

250 × 160 × 120 mm

with cover interlock  
in ON position

with N/PE connection link

**Cable entries**

4 × M32/M40

**730N1** (IP66)

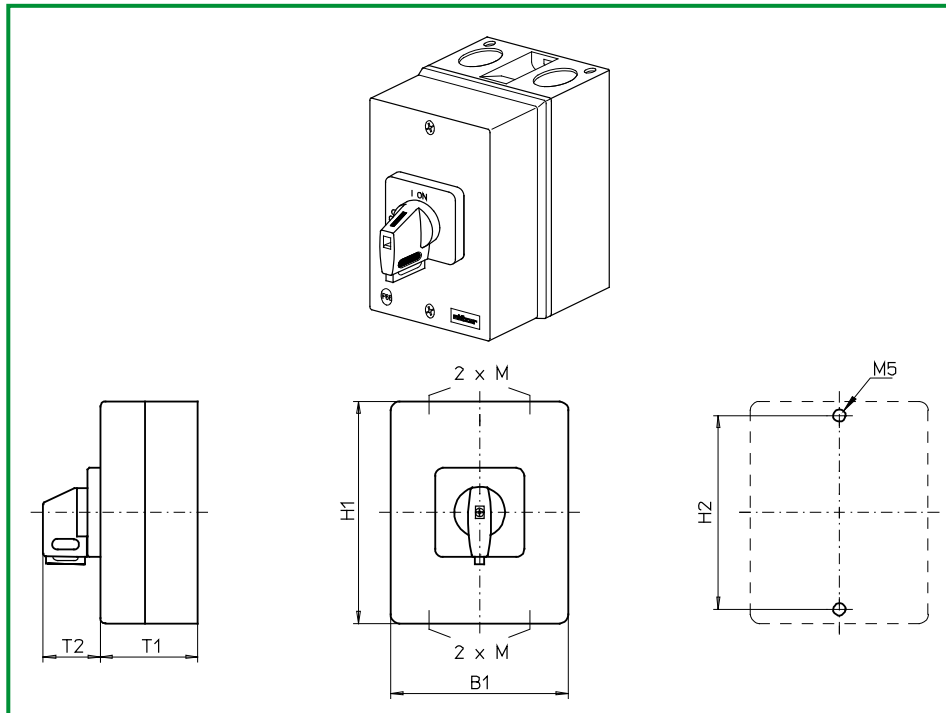
**730N4** (IP66)

| Complete switch   | Poles   | Product lines | Rated data (IEC 60947)             |                               |            | Order code number            |
|---|---------|---------------|------------------------------------|-------------------------------|------------|------------------------------|
|   |         |               | Operational current I <sub>e</sub> | Operational power at 380–440V |            |                              |
|   |         |               | AC-21A<br>A                        | AC-23A<br>kW                  | AC-3<br>kW |                              |
| Main Switches<br>OFF position padlockable 12h               | 3 ... 4 | H200-A        | 20                                 | 5,5                           | 3,7        | <b>H216 - 41 ... - 730N1</b> |
|   |         |               | 25                                 | 7,5                           | 5,5        | <b>H220 - 41 ... - 730N1</b> |
|   |         |               | 32                                 | 11                            | 7,5        | <b>H226 - 41 ... - 730N1</b> |
|   |         |               | 40                                 | 15                            | 11         | <b>H233 - 41 ... - 730N1</b> |
| Main/Emergency-Off Switches<br>OFF position padlockable 12h | 3 ... 4 | H200-A        | 20                                 | 5,5                           | 3,7        | <b>H216 - 41 ... - 730N4</b> |
|   |         |               | 25                                 | 7,5                           | 5,5        | <b>H220 - 41 ... - 730N4</b> |
|   |         |               | 32                                 | 11                            | 7,5        | <b>H226 - 41 ... - 730N4</b> |
|   |         |               | 40                                 | 15                            | 11         | <b>H233 - 41 ... - 730N4</b> |

| SMD modules for basic switch A02        |        |                     |
|---|--------|---------------------|
| Mounting form module (switch module ED) | H200-A | <b>BFA2 - ED</b>    |
| Enclosure module, mounting form 730N1   |        | <b>PAH2 - 730N1</b> |
| Enclosure module, mounting form 730N4   |        | <b>PAH2 - 730N4</b> |

| Dimensions (mm) |     |     |     |    |       |     |
|-----------------|-----|-----|-----|----|-------|-----|
| Product line    | H1  | B1  | T1  | T2 | 2xM   | H2  |
| H200-A          | 250 | 160 | 120 | 33 | 32/40 | 235 |

# Enclosed Switches



**Product line**  
**H200-A**

**Enclosed switch**

**Insulated enclosure**  
250 × 160 × 120 mm

with cover interlock  
in ON position

with N/PE connection link

**Cable entries**  
4 × M32/M40

**730V1** (IP66)

**730V4** (IP66)

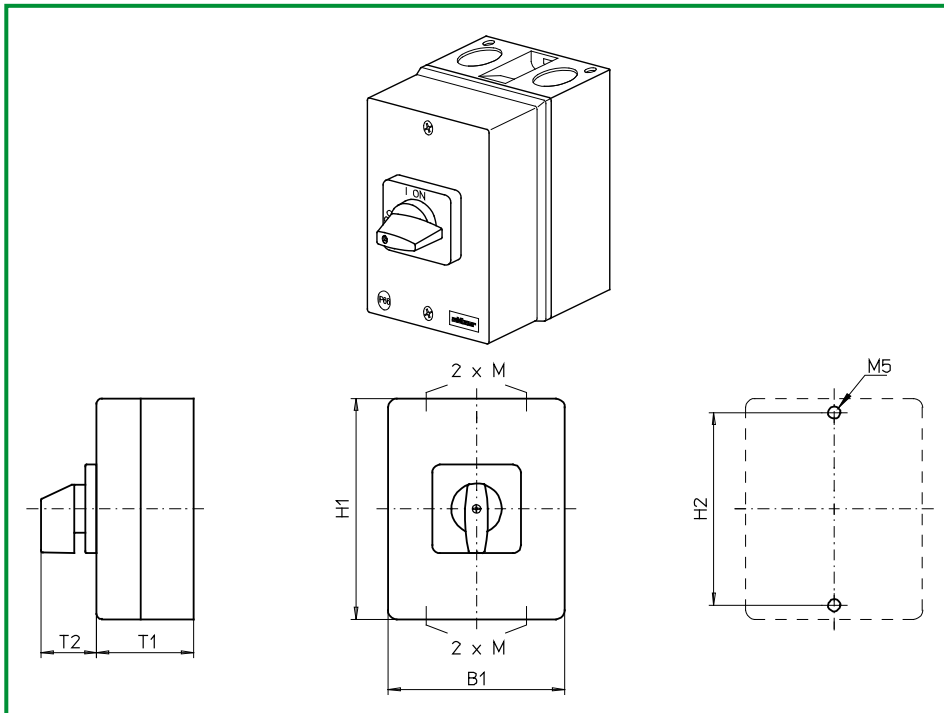
| Complete switch   | Poles   | Product lines | Rated data (IEC 60947)    |                               |            | Order code number            |
|---|---------|---------------|---------------------------|-------------------------------|------------|------------------------------|
|   |         |               | Operational current $I_e$ | Operational power at 380–440V |            |                              |
|   |         |               | AC-21A<br>A               | AC-23A<br>kW                  | AC-3<br>kW |                              |
| Main Switches<br>OFF position padlockable 09h               | 3 ... 4 | H200-A        | 20                        | 5,5                           | 3,7        | <b>H216 - 41 ... - 730V1</b> |
|   |         |               | 25                        | 7,5                           | 5,5        | <b>H220 - 41 ... - 730V1</b> |
|   |         |               | 32                        | 11                            | 7,5        | <b>H226 - 41 ... - 730V1</b> |
|   |         |               | 40                        | 15                            | 11         | <b>H233 - 41 ... - 730V1</b> |
| Main/Emergency-Off Switches<br>OFF position padlockable 09h | 3 ... 4 | H200-A        | 20                        | 5,5                           | 3,7        | <b>H216 - 41 ... - 730V4</b> |
|   |         |               | 25                        | 7,5                           | 5,5        | <b>H220 - 41 ... - 730V4</b> |
|   |         |               | 32                        | 11                            | 7,5        | <b>H226 - 41 ... - 730V4</b> |
|   |         |               | 40                        | 15                            | 11         | <b>H233 - 41 ... - 730V4</b> |

| SMD modules for basic switch A02            |        |                                |
|---|--------|--------------------------------|
| Mounting form module (switch module ED)     | H200-A | <b>BFA2 - ED</b>               |
| Enclosure module, mounting form 730V1       |        | <b>PAH2 - 730V1</b>            |
| Enclosure module, mounting form 730V4       |        | <b>PAH2 - 730V4</b>            |
| Legend plate silver, enclosure module 730V1 |        | <b>FAS4 - 9...</b> (FA number) |
| Legend plate yellow, enclosure module 730V4 |        | <b>FBS4 - 9...</b> (FA number) |

| Dimensions (mm) |     |     |     |    |       |     |
|-----------------|-----|-----|-----|----|-------|-----|
| Product line    | H1  | B1  | T1  | T2 | 2xM   | H2  |
| H200-A          | 250 | 160 | 120 | 39 | 32/40 | 235 |

# Enclosed Switches

# sälzer



**Product line**  
**H200-A**

**Enclosed switch**

**Insulated enclosure**  
250 × 160 × 120 mm

with cover interlock  
in ON position

with N/PE connection link

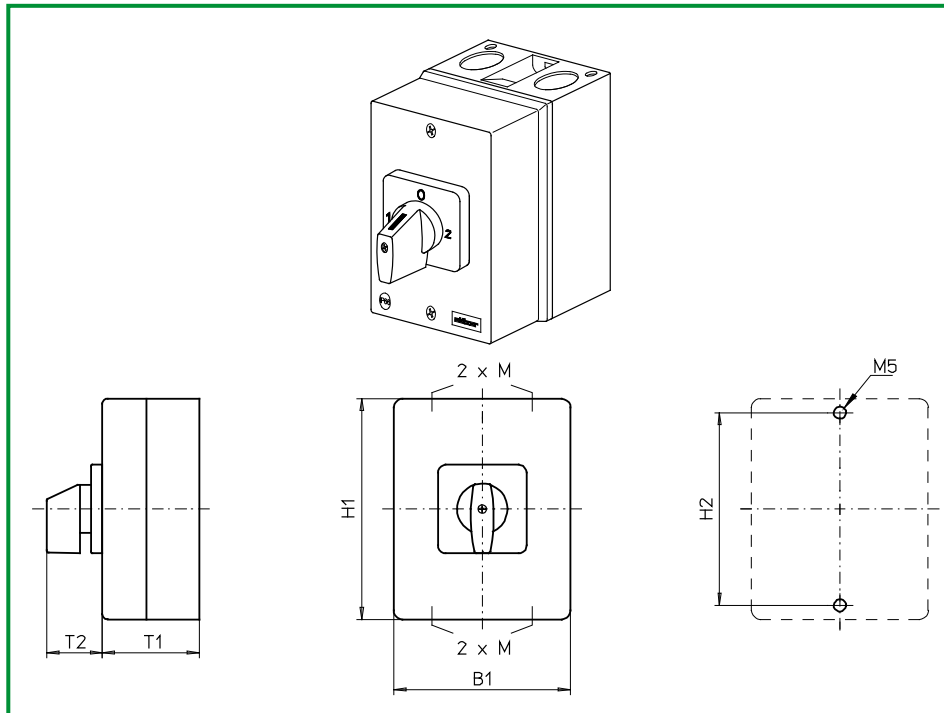
**Cable entries**  
4 × M32/M40

**731M1** (IP66)

| Complete switch                             | Poles     | Product lines | Rated data (IEC 60947)    |                               |            | Order code number              |
|---|-----------|---------------|---------------------------|-------------------------------|------------|--------------------------------|
|   |           |               | Operational current $I_e$ | Operational power at 380–440V |            |                                |
|   |           |               | AC-21A<br>A               | AC-23A<br>kW                  | AC-3<br>kW |                                |
| ON-OFF Switches<br>Switching angle 90°      | 3 ... 4   | H200-A        | 20                        | 5,5                           | 3,7        | <b>H216 - 41 ... - 731M1</b>   |
|   |           |               | 25                        | 7,5                           | 5,5        | <b>H220 - 41 ... - 731M1</b>   |
|   |           |               | 32                        | 11                            | 7,5        | <b>H226 - 41 ... - 731M1</b>   |
|   |           |               | 40                        | 15                            | 11         | <b>H233 - 41 ... - 731M1</b>   |
| <b>SMD modules for basic switch A02</b>     |           |               |                           |                               |            |                                |
| Mounting form module (switch module ED)     |           |               | H200-A                    |                               |            | <b>BFA2 - ED</b>               |
| Enclosure module, mounting form 731M1       |           |               |                           |                               |            | <b>PAH2 - 731M1</b>            |
| Legend plate silver, enclosure module 731M1 |           |               |                           |                               |            | <b>FAS4 - 9...</b> (FA number) |
| <b>Dimensions (mm)</b>                      |           |               |                           |                               |            |                                |
| <b>Product line</b>                         | <b>H1</b> | <b>B1</b>     | <b>T1</b>                 | <b>T2</b>                     | <b>2xM</b> | <b>H2</b>                      |
| H200-A                                      | 250       | 160           | 120                       | 39                            | 32/40      | 235                            |

# Enclosed Switches

# sälzer



**Product line**  
**H200-E**

**Enclosed switch**

**Insulated enclosure**  
250 × 160 × 120 mm

Cover interlock  
in position 1 and 2  
with N/PE connection link

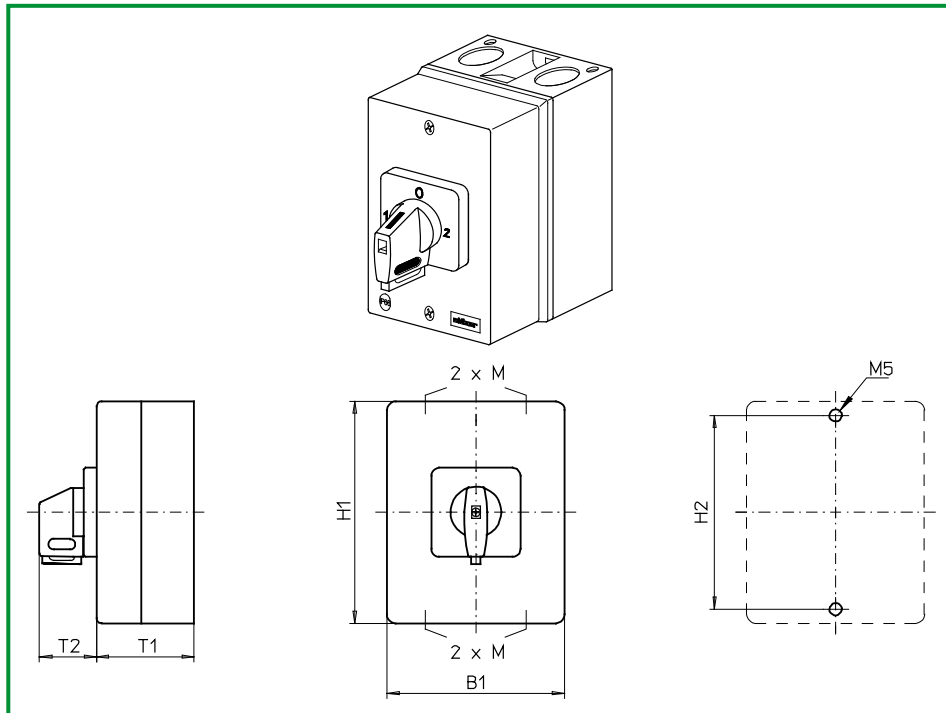
**Cable entries**  
4 × M32/M40

**732M1** (IP66)

| Complete switch                             | Poles     | Product lines | Rated data (IEC 60947)             |                               |            | Order code number              |
|---|-----------|---------------|------------------------------------|-------------------------------|------------|--------------------------------|
|   |           |               | Operational current I <sub>e</sub> | Operational power at 380–440V |            |                                |
|   |           |               | AC-21A<br>A                        | AC-23A<br>kW                  | AC-3<br>kW |                                |
| Changeover with OFF<br>Switching angle 90°  | 3 ... 4   | H200-E        | 20                                 | 5,5                           | 3,7        | <b>H216 - 71 ... - 732M1</b>   |
|   |           |               | 25                                 | 7,5                           | 5,5        | <b>H220 - 71 ... - 732M1</b>   |
|   |           |               | 32                                 | 11                            | 7,5        | <b>H226 - 71 ... - 732M1</b>   |
|   |           |               | 40                                 | 15                            | 11         | <b>H233 - 71 ... - 732M1</b>   |
| <b>SMD modules for basic switch A02</b>     |           |               |                                    |                               |            |                                |
| Mounting form module (switch module ED)     |           |               | H200-E                             |                               |            | <b>BFB2 - ED</b>               |
| Enclosure module, mounting form 732M1       |           |               |                                    |                               |            | <b>PAH2 - 732M1</b>            |
| Legend plate silver, enclosure module 732M1 |           |               |                                    |                               |            | <b>FAS4 - 9...</b> (FA number) |
| <b>Dimensions (mm)</b>                      |           |               |                                    |                               |            |                                |
| <b>Product line</b>                         | <b>H1</b> | <b>B1</b>     | <b>T1</b>                          | <b>T2</b>                     | <b>2xM</b> | <b>H2</b>                      |
| H200-E                                      | 250       | 160           | 120                                | 39                            | 32/40      | 235                            |

# Enclosed Switches

**sälzer**



**Product line**  
**H200-E**

**Enclosed switch**

**Insulated enclosure**  
250 × 160 × 120 mm

Cover interlock  
in position 1 and 2  
with N/PE connection link

**Cable entries**  
4 × M32/M40

**728V1** (IP66)

**732V1** (IP66)

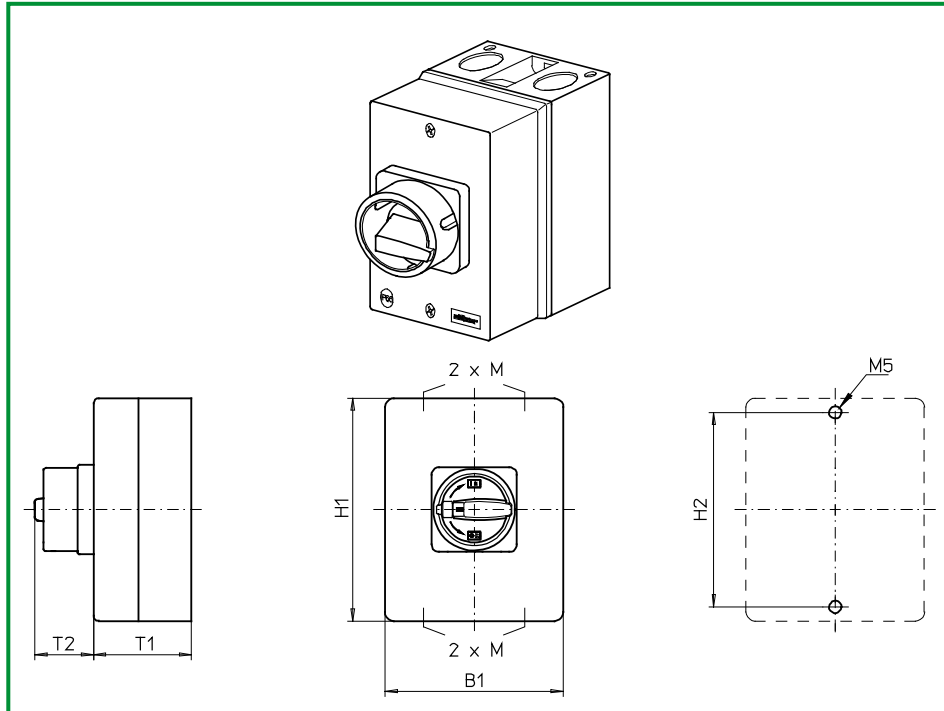
| Complete switch  | Poles   | Product lines | Rated data (IEC 60947)             |                               |            | Order code number            |
|--|---------|---------------|------------------------------------|-------------------------------|------------|------------------------------|
|  |         |               | Operational current I <sub>e</sub> | Operational power at 380–440V |            |                              |
|  |         |               | AC-21A<br>A                        | AC-23A<br>kW                  | AC-3<br>kW |                              |
| Changeover with OFF<br>Switching angle 90°<br>OFF position padlockable 12h             | 3 ... 4 | H200-E        | 20                                 | 5,5                           | 3,7        | <b>H216 - 71 ... - 732V1</b> |
|  |         |               | 25                                 | 7,5                           | 5,5        | <b>H220 - 71 ... - 732V1</b> |
|  |         |               | 32                                 | 11                            | 7,5        | <b>H226 - 71 ... - 732V1</b> |
|  |         |               | 40                                 | 15                            | 11         | <b>H233 - 71 ... - 732V1</b> |
| Changeover with OFF<br>Switching angle 90°<br>3 positions padlockable<br>(09h/12h/03h) | 3 ... 4 | H200-E        | 20                                 | 5,5                           | 3,7        | <b>H216 - 71 ... - 728V1</b> |
|  |         |               | 25                                 | 7,5                           | 5,5        | <b>H220 - 71 ... - 728V1</b> |
|  |         |               | 32                                 | 11                            | 7,5        | <b>H226 - 71 ... - 728V1</b> |
|  |         |               | 40                                 | 15                            | 11         | <b>H233 - 71 ... - 728V1</b> |

| SMD modules for basic switch A02                  |        |                                |
|---|--------|--------------------------------|
| Mounting form module (switch module ED)           | H200-E | <b>BFB2 - ED</b>               |
| Enclosure module, mounting form 732V1             |        | <b>PAH2 - 732V1</b>            |
| Enclosure module, mounting form 728V1             |        | <b>PAH2 - 728V1</b>            |
| Legend plate silver, enclosure module 732V1/728V1 |        | <b>FAS4 - 9...</b> (FA number) |

| Dimensions (mm) |     |     |     |    |       |     |
|-----------------|-----|-----|-----|----|-------|-----|
| Product line    | H1  | B1  | T1  | T2 | 2xM   | H2  |
| H200-E          | 250 | 160 | 120 | 39 | 32/40 | 235 |

# Enclosed Switches

# sälzer



**Product line**  
**H200-D**

**Enclosed switch**

**Insulated enclosure**  
250 × 160 × 120 mm

with cover interlock  
in ON position

with N/PE connection link

**Cable entries**  
4 × M32/M40

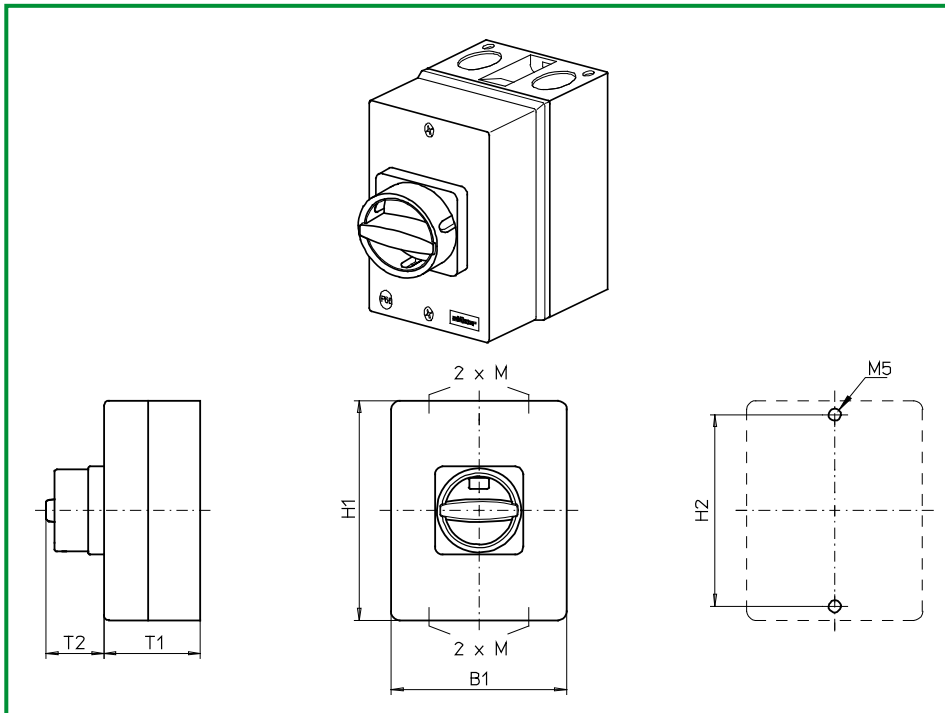
**733M1** (IP66)

**733M4** (IP66)

| Complete switch   | Poles     | Product lines | Rated data (IEC 60947)             |                               |            | Order code number            |
|---|-----------|---------------|------------------------------------|-------------------------------|------------|------------------------------|
|   |           |               | Operational current I <sub>e</sub> | Operational power at 380–440V |            |                              |
|   |           |               | AC-21A<br>A                        | AC-23A<br>kW                  | AC-3<br>kW |                              |
| Main Switches<br>OFF position padlockable 09h               | 6 ... 8   | H200-D        | 20                                 | 5,5                           | 3,7        | <b>H216 - 41 ... - 733M1</b> |
|   |           |               | 25                                 | 7,5                           | 5,5        | <b>H220 - 41 ... - 733M1</b> |
|   |           |               | 32                                 | 11                            | 7,5        | <b>H226 - 41 ... - 733M1</b> |
|   |           |               | 40                                 | 15                            | 11         | <b>H233 - 41 ... - 733M1</b> |
| Main/Emergency-Off Switches<br>OFF position padlockable 09h | 6 ... 8   | H200-D        | 20                                 | 5,5                           | 3,7        | <b>H216 - 41 ... - 733M4</b> |
|   |           |               | 25                                 | 7,5                           | 5,5        | <b>H220 - 41 ... - 733M4</b> |
|   |           |               | 32                                 | 11                            | 7,5        | <b>H226 - 41 ... - 733M4</b> |
|   |           |               | 40                                 | 15                            | 11         | <b>H233 - 41 ... - 733M4</b> |
| <b>SMD modules for basic switch A02</b>                     |           |               |                                    |                               |            |                              |
| Mounting form module (switch module ED)                     |           |               | H200-D                             |                               |            | <b>BFC2 - ED</b>             |
| Enclosure module, mounting form 733M1                       |           |               |                                    |                               |            | <b>PAH2 - 733M1</b>          |
| Enclosure module, mounting form 733M4                       |           |               |                                    |                               |            | <b>PAH2 - 733M4</b>          |
| <b>Dimensions (mm)</b>                                      |           |               |                                    |                               |            |                              |
| <b>Product line</b>   | <b>H1</b> | <b>B1</b>     | <b>T1</b>                          | <b>T2</b>                     | <b>2xM</b> | <b>H2</b>                    |
| H200-D  | 250       | 160           | 120                                | 38                            | 32/40      | 235                          |

# Enclosed Switches

# sälzer



**Product line**  
**H200-D**

**Enclosed switch**

**Insulated enclosure**

250 × 160 × 120 mm

with cover interlock  
in ON position

with N/PE connection link

**Cable entries**

4 × M32/M40

**733N1** (IP66)

**733N4** (IP66)

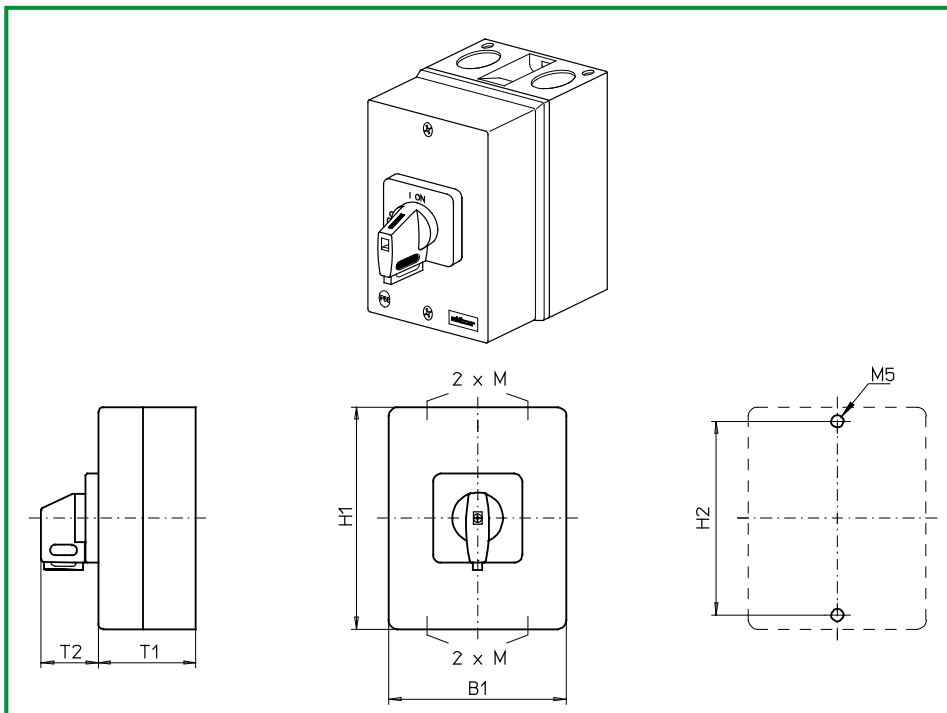
| Complete switch   | Poles   | Product lines | Rated data (IEC 60947)    |                               |            | Order code number            |
|---|---------|---------------|---------------------------|-------------------------------|------------|------------------------------|
|   |         |               | Operational current $I_e$ | Operational power at 380–440V |            |                              |
|   |         |               | AC-21A<br>A               | AC-23A<br>kW                  | AC-3<br>kW |                              |
| Main Switches<br>OFF position padlockable 12h               | 6 ... 8 | H200-D        | 20                        | 5,5                           | 3,7        | <b>H216 - 41 ... - 733N1</b> |
|   |         |               | 25                        | 7,5                           | 5,5        | <b>H220 - 41 ... - 733N1</b> |
|   |         |               | 32                        | 11                            | 7,5        | <b>H226 - 41 ... - 733N1</b> |
|   |         |               | 40                        | 15                            | 11         | <b>H233 - 41 ... - 733N1</b> |
| Main/Emergency-Off Switches<br>OFF position padlockable 12h | 6 ... 8 | H200-D        | 20                        | 5,5                           | 3,7        | <b>H216 - 41 ... - 733N4</b> |
|   |         |               | 25                        | 7,5                           | 5,5        | <b>H220 - 41 ... - 733N4</b> |
|   |         |               | 32                        | 11                            | 7,5        | <b>H226 - 41 ... - 733N4</b> |
|   |         |               | 40                        | 15                            | 11         | <b>H233 - 41 ... - 733N4</b> |

| SMD modules for basic switch A02        |        |                     |
|---|--------|---------------------|
| Mounting form module (switch module ED) | H200-D | <b>BFC2 - ED</b>    |
| Enclosure module, mounting form 733N1   |        | <b>PAH2 - 733N1</b> |
| Enclosure module, mounting form 733N4   |        | <b>PAH2 - 733N4</b> |

| Dimensions (mm) |     |     |     |    |       |     |
|-----------------|-----|-----|-----|----|-------|-----|
| Product line    | H1  | B1  | T1  | T2 | 2xM   | H2  |
| H200-D          | 250 | 160 | 120 | 33 | 32/40 | 235 |

# Enclosed Switches

# sälzer



**Product line**  
**H200-D**

**Enclosed switch**

**Insulated enclosure**

250 × 160 × 120 mm

with cover interlock  
in ON position

with N/PE connection link

**Cable entries**

4 × M32/M40

**733V1** (IP66)

**733V4** (IP66)

| Complete switch   | Poles   | Product lines | Rated data (IEC 60947)    |                               |            | Order code number            |
|---|---------|---------------|---------------------------|-------------------------------|------------|------------------------------|
|   |         |               | Operational current $I_e$ | Operational power at 380–440V |            |                              |
|   |         |               | AC-21A<br>A               | AC-23A<br>kW                  | AC-3<br>kW |                              |
| Main Switches<br>OFF position padlockable 09h               | 6 ... 8 | H200-D        | 20                        | 5,5                           | 3,7        | <b>H216 - 41 ... - 733V1</b> |
|   |         |               | 25                        | 7,5                           | 5,5        | <b>H220 - 41 ... - 733V1</b> |
|   |         |               | 32                        | 11                            | 7,5        | <b>H226 - 41 ... - 733V1</b> |
|   |         |               | 40                        | 15                            | 11         | <b>H233 - 41 ... - 733V1</b> |
| Main/Emergency-Off Switches<br>OFF position padlockable 09h | 6 ... 8 | H200-D        | 20                        | 5,5                           | 3,7        | <b>H216 - 41 ... - 733V4</b> |
|   |         |               | 25                        | 7,5                           | 5,5        | <b>H220 - 41 ... - 733V4</b> |
|   |         |               | 32                        | 11                            | 7,5        | <b>H226 - 41 ... - 733V4</b> |
|   |         |               | 40                        | 15                            | 11         | <b>H233 - 41 ... - 733V4</b> |

| SMD modules for basic switch A02            |        |                                |
|---|--------|--------------------------------|
| Mounting form module (switch module ED)     | H200-D | <b>BFC2 - ED</b>               |
| Enclosure module, mounting form 733V1       |        | <b>PAH2 - 733V1</b>            |
| Enclosure module, mounting form 733V4       |        | <b>PAH2 - 733V4</b>            |
| Legend plate silver, enclosure module 733V1 |        | <b>FAS4 - 9...</b> (FA number) |
| Legend plate yellow, enclosure module 733V4 |        | <b>FBS4 - 9...</b> (FA number) |

| Dimensions (mm) |     |     |     |    |       |     |
|-----------------|-----|-----|-----|----|-------|-----|
| Product line    | H1  | B1  | T1  | T2 | 2xM   | H2  |
| H200-D          | 250 | 160 | 120 | 39 | 32/40 | 235 |



# Enclosed Switches

# sälzer

**Product line**  
**H200-D**

**Enclosed switch**

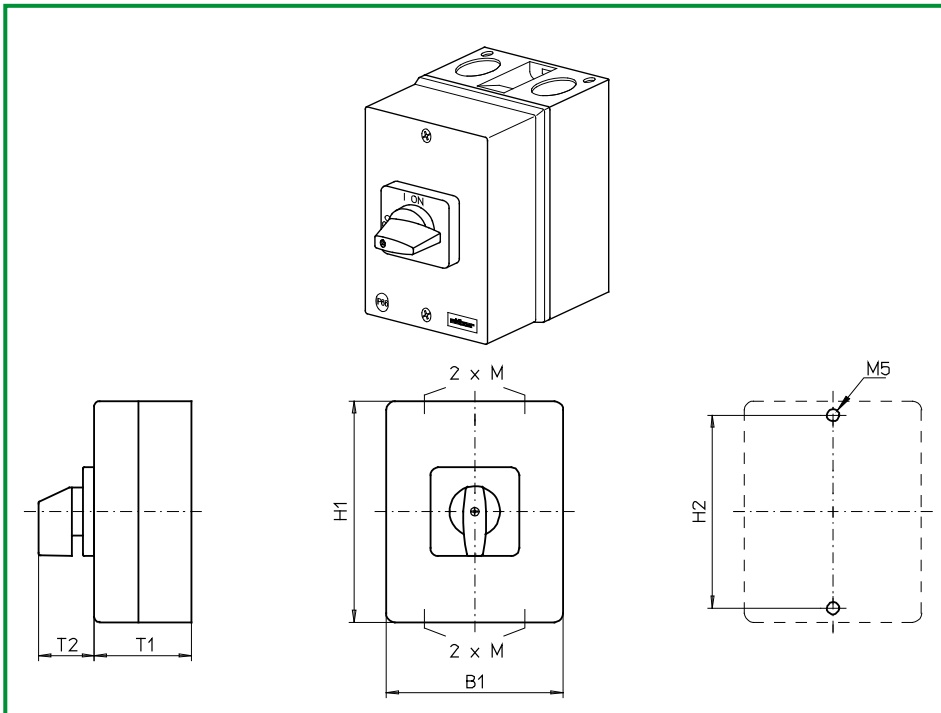
**Insulated enclosure**  
250 × 160 × 120 mm

with cover interlock  
in ON position

with N/PE connection link

**Cable entries**  
4 × M32/M40

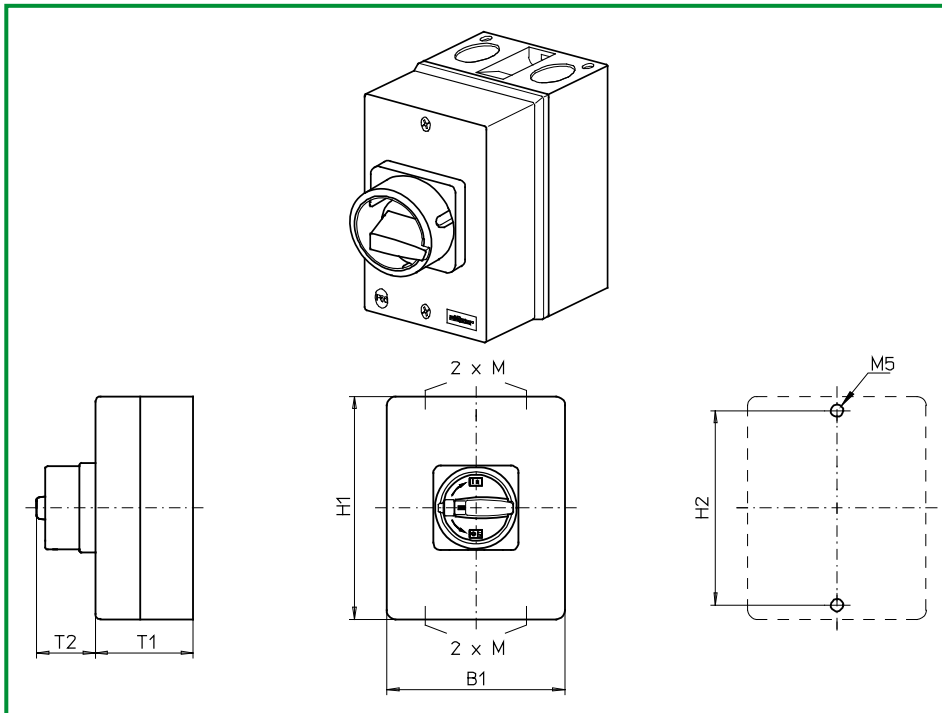
**734M1** (IP66)



| Complete switch                             | Poles     | Product lines | Rated data (IEC 60947)             |                               |            | Order code number              |
|---|-----------|---------------|------------------------------------|-------------------------------|------------|--------------------------------|
|   |           |               | Operational current I <sub>e</sub> | Operational power at 380–440V |            |                                |
|   |           |               | AC-21A<br>A                        | AC-23A<br>kW                  | AC-3<br>kW |                                |
| ON-OFF Switches<br>Switching angle 90°      | 6 ... 8   | H200-D        | 20                                 | 5,5                           | 3,7        | <b>H216 - 41 ... - 734M1</b>   |
|   |           |               | 25                                 | 7,5                           | 5,5        | <b>H220 - 41 ... - 734M1</b>   |
|   |           |               | 32                                 | 11                            | 7,5        | <b>H226 - 41 ... - 734M1</b>   |
|   |           |               | 40                                 | 15                            | 11         | <b>H233 - 41 ... - 734M1</b>   |
| <b>SMD modules for basic switch A02</b>     |           |               |                                    |                               |            |                                |
| Mounting form module (switch module ED)     |           |               | H200-D                             |                               |            | <b>BFC2 - ED</b>               |
| Enclosure module, mounting form 734M1       |           |               |                                    |                               |            | <b>PAH2 - 734M1</b>            |
| Legend plate silver, enclosure module 734M1 |           |               |                                    |                               |            | <b>FAS4 - 9...</b> (FA number) |
| <b>Dimensions (mm)</b>                      |           |               |                                    |                               |            |                                |
| <b>Product line</b>                         | <b>H1</b> | <b>B1</b>     | <b>T1</b>                          | <b>T2</b>                     | <b>2xM</b> | <b>H2</b>                      |
| H200-D                                      | 250       | 160           | 120                                | 39                            | 32/40      | 235                            |

# Enclosed Switches

# sälzer



**Product line**  
**H200-A**

**Enclosed switch**

**Insulated enclosure**  
250 × 160 × 120 mm

with cover interlock  
in ON position  
with PE terminal  
without N terminal

**Cable entries**  
4 × M32/M40

**735M1** (IP66)

**735M4** (IP66)

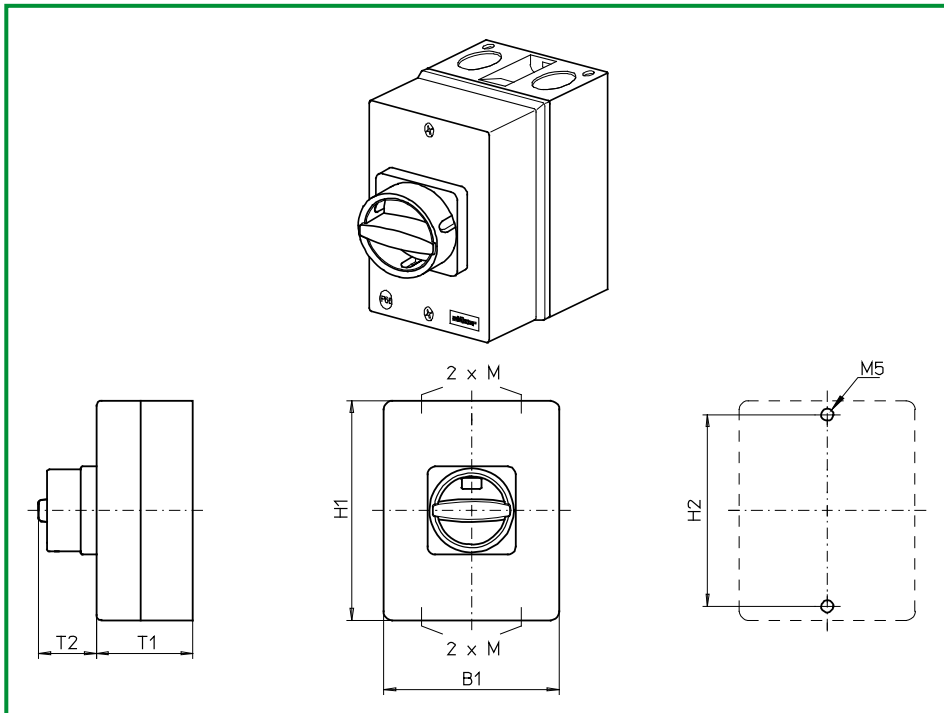
| Complete switch   | Poles   | Product lines | Rated data (IEC 60947)             |                               |            | Order code number            |
|---|---------|---------------|------------------------------------|-------------------------------|------------|------------------------------|
|   |         |               | Operational current I <sub>e</sub> | Operational power at 380–440V |            |                              |
|   |         |               | AC-21A<br>A                        | AC-23A<br>kW                  | AC-3<br>kW |                              |
| Main Switches<br>OFF position padlockable 09h               | 3 ... 4 | H200-A        | 20                                 | 5,5                           | 3,7        | <b>H216 - 41 ... - 735M1</b> |
|   |         |               | 25                                 | 7,5                           | 5,5        | <b>H220 - 41 ... - 735M1</b> |
|   |         |               | 32                                 | 11                            | 7,5        | <b>H226 - 41 ... - 735M1</b> |
|   |         |               | 40                                 | 15                            | 11         | <b>H233 - 41 ... - 735M1</b> |
| Main/Emergency-Off Switches<br>OFF position padlockable 09h | 3 ... 4 | H200-A        | 20                                 | 5,5                           | 3,7        | <b>H216 - 41 ... - 735M4</b> |
|   |         |               | 25                                 | 7,5                           | 5,5        | <b>H220 - 41 ... - 735M4</b> |
|   |         |               | 32                                 | 11                            | 7,5        | <b>H226 - 41 ... - 735M4</b> |
|   |         |               | 40                                 | 15                            | 11         | <b>H233 - 41 ... - 735M4</b> |

| SMD modules for basic switch A02        |        |                     |
|---|--------|---------------------|
| Mounting form module (switch module ED) | H200-A | <b>BFA2 - ED</b>    |
| Enclosure module, mounting form 735M1   |        | <b>PAH2 - 735M1</b> |
| Enclosure module, mounting form 735M4   |        | <b>PAH2 - 735M4</b> |

| Dimensions (mm) |     |     |     |    |       |     |
|-----------------|-----|-----|-----|----|-------|-----|
| Product line    | H1  | B1  | T1  | T2 | 2xM   | H2  |
| H200-A          | 250 | 160 | 120 | 38 | 32/40 | 235 |

# Enclosed Switches

# sälzer



**Product line**  
**H200-A**

**Enclosed switch**

**Insulated enclosure**  
250 × 160 × 120 mm

with cover interlock  
in ON position  
with PE terminal  
without N terminal

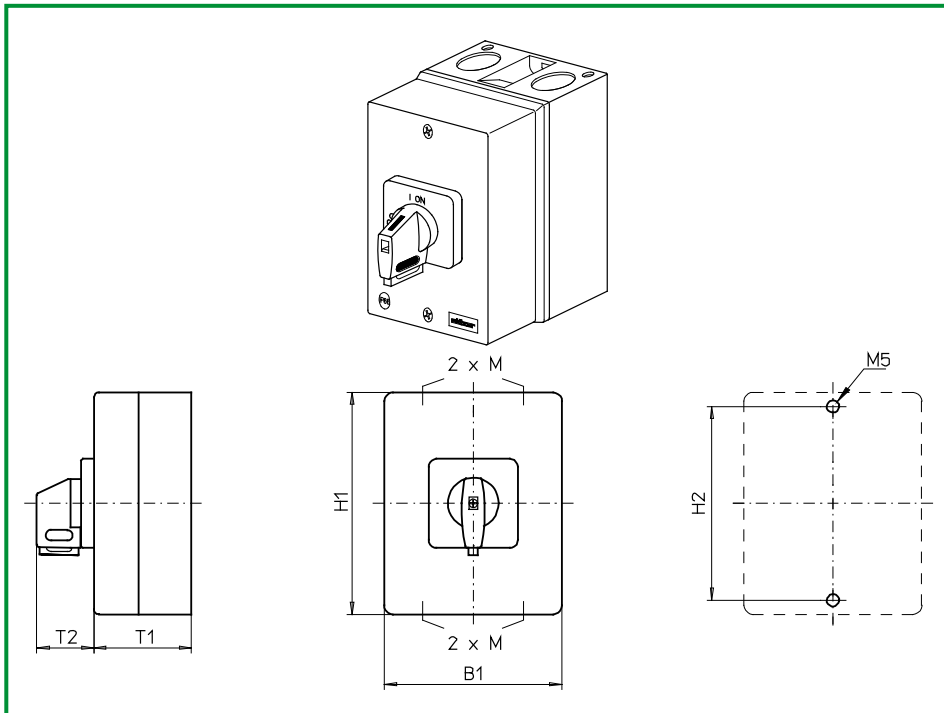
**Cable entries**  
4 × M32/M40

**735N1** (IP66)

**735N4** (IP66)

| Complete switch   | Poles     | Product lines | Rated data (IEC 60947)             |                               |            | Order code number            |
|---|-----------|---------------|------------------------------------|-------------------------------|------------|------------------------------|
|   |           |               | Operational current I <sub>e</sub> | Operational power at 380–440V |            |                              |
|   |           |               | AC-21A<br>A                        | AC-23A<br>kW                  | AC-3<br>kW |                              |
| Main Switches<br>OFF position padlockable 12h               | 3 ... 4   | H200-A        | 20                                 | 5,5                           | 3,7        | <b>H216 - 41 ... - 735N1</b> |
|   |           |               | 25                                 | 7,5                           | 5,5        | <b>H220 - 41 ... - 735N1</b> |
|   |           |               | 32                                 | 11                            | 7,5        | <b>H226 - 41 ... - 735N1</b> |
|   |           |               | 40                                 | 15                            | 11         | <b>H233 - 41 ... - 735N1</b> |
| Main/Emergency-Off Switches<br>OFF position padlockable 12h | 3 ... 4   | H200-A        | 20                                 | 5,5                           | 3,7        | <b>H216 - 41 ... - 735N4</b> |
|   |           |               | 25                                 | 7,5                           | 5,5        | <b>H220 - 41 ... - 735N4</b> |
|   |           |               | 32                                 | 11                            | 7,5        | <b>H226 - 41 ... - 735N4</b> |
|   |           |               | 40                                 | 15                            | 11         | <b>H233 - 41 ... - 735N4</b> |
| <b>SMD modules for basic switch A02</b>                     |           |               |                                    |                               |            |                              |
| Mounting form module (switch module ED)                     |           |               | H200-A                             |                               |            | <b>BFA2 - ED</b>             |
| Enclosure module, mounting form 735N1                       |           |               |                                    |                               |            | <b>PAH2 - 735N1</b>          |
| Enclosure module, mounting form 735N4                       |           |               |                                    |                               |            | <b>PAH2 - 735N4</b>          |
| <b>Dimensions (mm)</b>                                      |           |               |                                    |                               |            |                              |
| <b>Product line</b>   | <b>H1</b> | <b>B1</b>     | <b>T1</b>                          | <b>T2</b>                     | <b>2xM</b> | <b>H2</b>                    |
| H200-A  | 250       | 160           | 120                                | 33                            | 32/40      | 235                          |

# Enclosed Switches



**Product line**  
**H200-A**

**Enclosed switch**

**Insulated enclosure**

250 × 160 × 120 mm

with cover interlock  
in ON position

with PE terminal  
without N terminal

**Cable entries**

4 × M32/M40

**735V1** (IP66)

**735V4** (IP66)

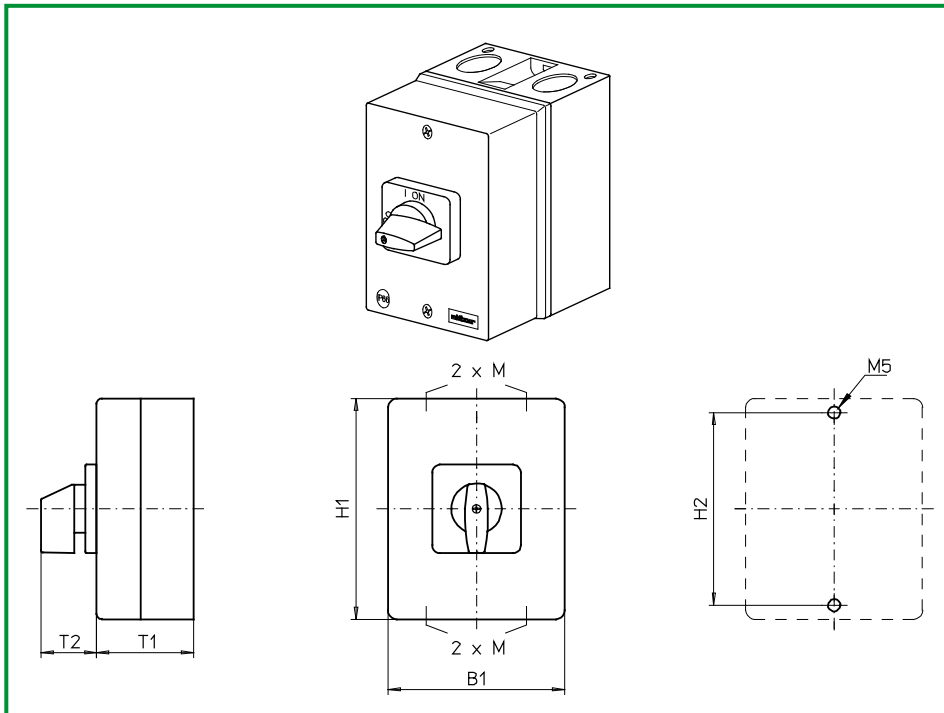
| Complete switch   | Poles   | Product lines | Rated data (IEC 60947)             |                               |            | Order code number            |
|---|---------|---------------|------------------------------------|-------------------------------|------------|------------------------------|
|   |         |               | Operational current I <sub>e</sub> | Operational power at 380–440V |            |                              |
|   |         |               | AC-21A<br>A                        | AC-23A<br>kW                  | AC-3<br>kW |                              |
| Main Switches<br>OFF position padlockable 09h               | 3 ... 4 | H200-A        | 20                                 | 5,5                           | 3,7        | <b>H216 - 41 ... - 735V1</b> |
|   |         |               | 25                                 | 7,5                           | 5,5        | <b>H220 - 41 ... - 735V1</b> |
|   |         |               | 32                                 | 11                            | 7,5        | <b>H226 - 41 ... - 735V1</b> |
|   |         |               | 40                                 | 15                            | 11         | <b>H233 - 41 ... - 735V1</b> |
| Main/Emergency-Off Switches<br>OFF position padlockable 09h | 3 ... 4 | H200-A        | 20                                 | 5,5                           | 3,7        | <b>H216 - 41 ... - 735V4</b> |
|   |         |               | 25                                 | 7,5                           | 5,5        | <b>H220 - 41 ... - 735V4</b> |
|   |         |               | 32                                 | 11                            | 7,5        | <b>H226 - 41 ... - 735V4</b> |
|   |         |               | 40                                 | 15                            | 11         | <b>H233 - 41 ... - 735V4</b> |

| SMD modules for basic switch A02            |        |                                |
|---|--------|--------------------------------|
| Mounting form module (switch module ED)     | H200-A | <b>BFA2 - ED</b>               |
| Enclosure module, mounting form 735V1       |        | <b>PAH2 - 735V1</b>            |
| Enclosure module, mounting form 735V4       |        | <b>PAH2 - 735V4</b>            |
| Legend plate silver, enclosure module 735V1 |        | <b>FAS4 - 9...</b> (FA number) |
| Legend plate yellow, enclosure module 735V4 |        | <b>FBS4 - 9...</b> (FA number) |

| Dimensions (mm) |     |     |     |    |       |     |
|-----------------|-----|-----|-----|----|-------|-----|
| Product line    | H1  | B1  | T1  | T2 | 2xM   | H2  |
| H200-A          | 250 | 160 | 120 | 39 | 32/40 | 235 |

# Enclosed Switches

# sälzer



**Product line**  
**H200-A**

**Enclosed switch**

**Insulated enclosure**  
250 × 160 × 120 mm

with cover interlock  
in ON position  
with PE terminal  
without N terminal

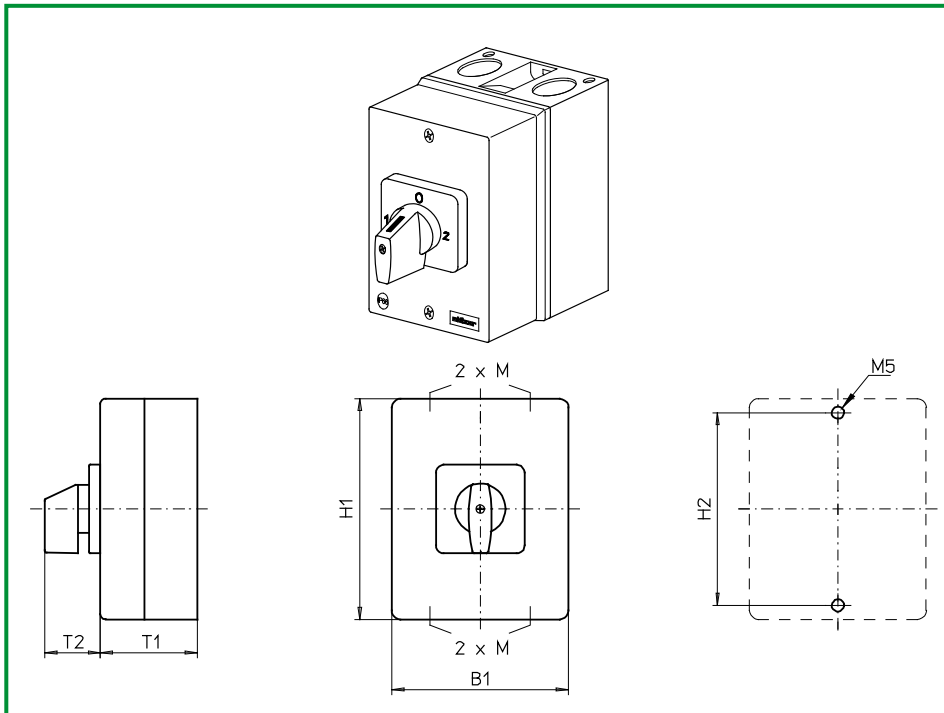
**Cable entries**  
4 × M32/M40

**736M1** (IP66)

| Complete switch                             | Poles     | Product lines | Rated data (IEC 60947)    |                               |            | Order code number              |
|---|-----------|---------------|---------------------------|-------------------------------|------------|--------------------------------|
|   |           |               | Operational current $I_e$ | Operational power at 380–440V |            |                                |
|   |           |               | AC-21A<br>A               | AC-23A<br>kW                  | AC-3<br>kW |                                |
| ON-OFF Switches<br>Switching angle 90°      | 3 ... 4   | H200-A        | 20                        | 5,5                           | 3,7        | <b>H216 - 41 ... - 736M1</b>   |
|   |           |               | 25                        | 7,5                           | 5,5        | <b>H220 - 41 ... - 736M1</b>   |
|   |           |               | 32                        | 11                            | 7,5        | <b>H226 - 41 ... - 736M1</b>   |
|   |           |               | 40                        | 15                            | 11         | <b>H233 - 41 ... - 736M1</b>   |
| <b>SMD modules for basic switch A02</b>     |           |               |                           |                               |            |                                |
| Mounting form module (switch module ED)     |           |               | H200-A                    |                               |            | <b>BFA2 - ED</b>               |
| Enclosure module, mounting form 736M1       |           |               |                           |                               |            | <b>PAH2 - 736M1</b>            |
| Legend plate silver, enclosure module 736M1 |           |               |                           |                               |            | <b>FAS4 - 9...</b> (FA number) |
| <b>Dimensions (mm)</b>                      |           |               |                           |                               |            |                                |
| <b>Product line</b>                         | <b>H1</b> | <b>B1</b>     | <b>T1</b>                 | <b>T2</b>                     | <b>2xM</b> | <b>H2</b>                      |
| H200-A                                      | 250       | 160           | 120                       | 39                            | 32/40      | 235                            |

# Enclosed Switches

# sälzer



**Product line**  
**H200-E**

**Enclosed switch**

**Insulated enclosure**  
250 × 160 × 120 mm

Cover interlock  
in position 1 and 2  
with PE terminal  
without N terminal

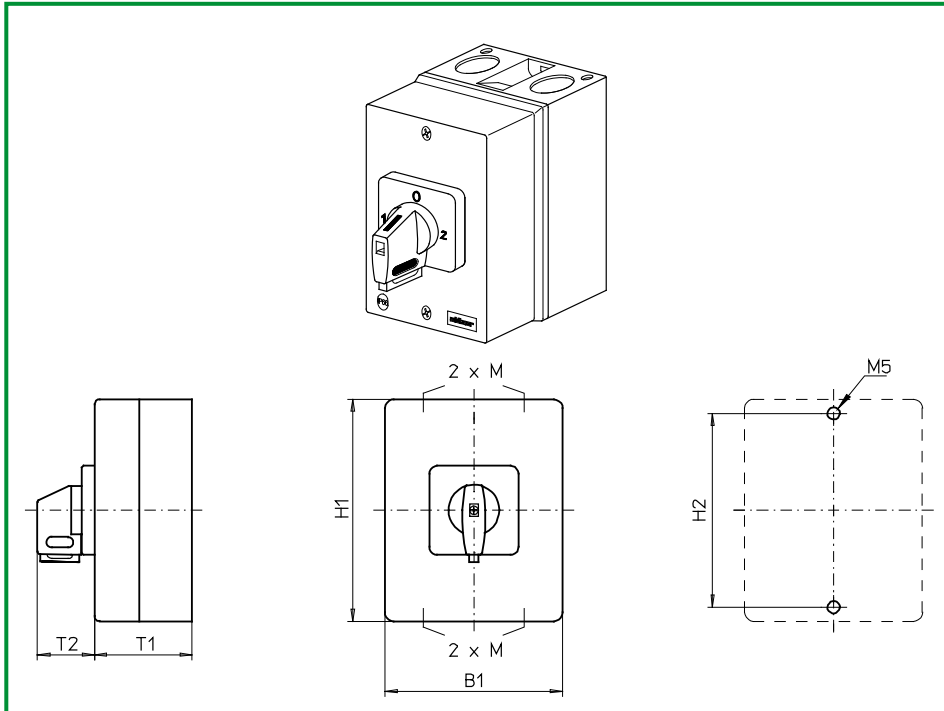
**Cable entries**  
4 × M32/M40

**737M1** (IP66)

| Complete switch                             | Poles     | Product lines | Rated data (IEC 60947)             |                               |            | Order code number              |
|---|-----------|---------------|------------------------------------|-------------------------------|------------|--------------------------------|
|   |           |               | Operational current I <sub>e</sub> | Operational power at 380–440V |            |                                |
|   |           |               | AC-21A<br>A                        | AC-23A<br>kW                  | AC-3<br>kW |                                |
| Changeover with OFF<br>Switching angle 90°  | 3 ... 4   | H200-E        | 20                                 | 5,5                           | 3,7        | <b>H216 - 71 ... - 737M1</b>   |
|   |           |               | 25                                 | 7,5                           | 5,5        | <b>H220 - 71 ... - 737M1</b>   |
|   |           |               | 32                                 | 11                            | 7,5        | <b>H226 - 71 ... - 737M1</b>   |
|   |           |               | 40                                 | 15                            | 11         | <b>H233 - 71 ... - 737M1</b>   |
| <b>SMD modules for basic switch A02</b>     |           |               |                                    |                               |            |                                |
| Mounting form module (switch module ED)     |           |               | H200-E                             |                               |            | <b>BFB2 - ED</b>               |
| Enclosure module, mounting form 737M1       |           |               |                                    |                               |            | <b>PAH2 - 737M1</b>            |
| Legend plate silver, enclosure module 737M1 |           |               |                                    |                               |            | <b>FAS4 - 9...</b> (FA number) |
| <b>Dimensions (mm)</b>                      |           |               |                                    |                               |            |                                |
| <b>Product line</b>                         | <b>H1</b> | <b>B1</b>     | <b>T1</b>                          | <b>T2</b>                     | <b>2xM</b> | <b>H2</b>                      |
| H200-E                                      | 250       | 160           | 120                                | 39                            | 32/40      | 235                            |

# Enclosed Switches

# sälzer



**Product line**  
**H200-E**

**Enclosed switch**

**Insulated enclosure**  
250 × 160 × 120 mm

Cover interlock  
in position 1 and 2  
with PE terminal  
without N terminal

**Cable entries**  
4 × M32/M40

**729V1** (IP66)

**737V1** (IP66)

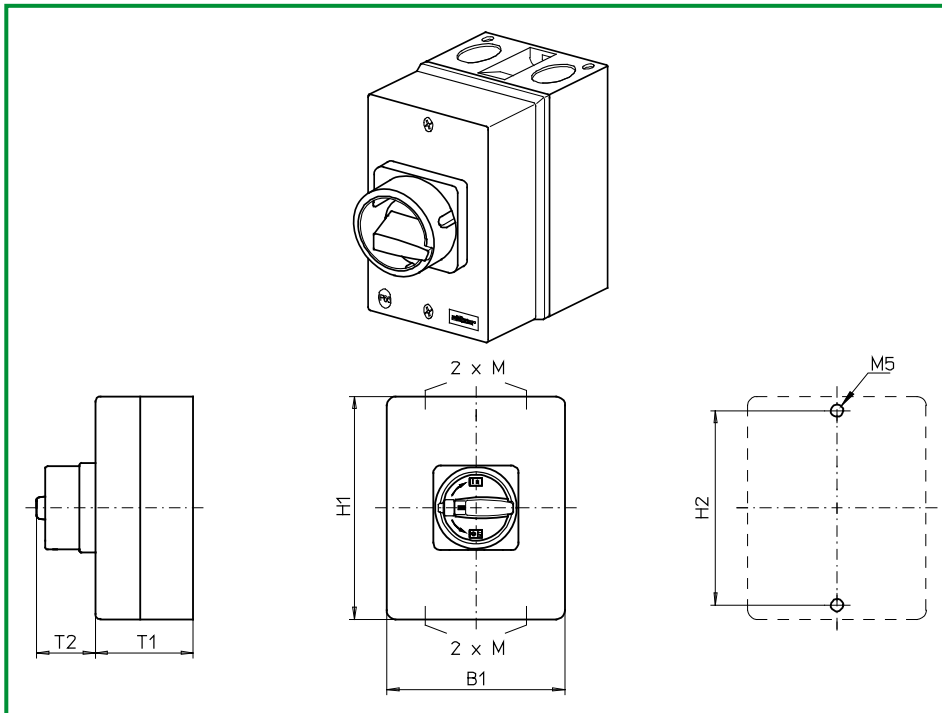
| Complete switch  | Poles   | Product lines | Rated data (IEC 60947)    |                               |            | Order code number            |
|--|---------|---------------|---------------------------|-------------------------------|------------|------------------------------|
|  |         |               | Operational current $I_e$ | Operational power at 380–440V |            |                              |
|  |         |               | AC-21A<br>A               | AC-23A<br>kW                  | AC-3<br>kW |                              |
| Changeover with OFF<br>Switching angle 90°<br>OFF position padlockable 12h             | 3 ... 4 | H200-E        | 20                        | 5,5                           | 3,7        | <b>H216 - 71 ... - 737V1</b> |
|  |         |               | 25                        | 7,5                           | 5,5        | <b>H220 - 71 ... - 737V1</b> |
|  |         |               | 32                        | 11                            | 7,5        | <b>H226 - 71 ... - 737V1</b> |
|  |         |               | 40                        | 15                            | 11         | <b>H233 - 71 ... - 737V1</b> |
| Changeover with OFF<br>Switching angle 90°<br>3 positions padlockable<br>(09h/12h/03h) | 3 ... 4 | H200-E        | 20                        | 5,5                           | 3,7        | <b>H216 - 71 ... - 729V1</b> |
|  |         |               | 25                        | 7,5                           | 5,5        | <b>H220 - 71 ... - 729V1</b> |
|  |         |               | 32                        | 11                            | 7,5        | <b>H226 - 71 ... - 729V1</b> |
|  |         |               | 40                        | 15                            | 11         | <b>H233 - 71 ... - 729V1</b> |

| SMD modules for basic switch A02                  |        |                                |
|---|--------|--------------------------------|
| Mounting form module (switch module ED)           | H200-E | <b>BFB2 - ED</b>               |
| Enclosure module, mounting form 737V1             |        | <b>PAH2 - 737V1</b>            |
| Enclosure module, mounting form 729V1             |        | <b>PAH2 - 729V1</b>            |
| Legend plate silver, enclosure module 737V1/729V1 |        | <b>FAS4 - 9...</b> (FA number) |

| Dimensions (mm) |     |     |     |    |       |     |
|-----------------|-----|-----|-----|----|-------|-----|
| Product line    | H1  | B1  | T1  | T2 | 2xM   | H2  |
| H200-E          | 250 | 160 | 120 | 39 | 32/40 | 235 |

# Enclosed Switches

# sälzer



**Product line**  
**H200-D**

**Enclosed switch**

**Insulated enclosure**  
250 × 160 × 120 mm

with cover interlock  
in ON position  
with PE terminal  
without N terminal

**Cable entries**  
4 × M32/M40

**738M1** (IP66)

**738M4** (IP66)

| Complete switch   | Poles   | Product lines | Rated data (IEC 60947)             |                               |            | Order code number            |
|---|---------|---------------|------------------------------------|-------------------------------|------------|------------------------------|
|   |         |               | Operational current I <sub>e</sub> | Operational power at 380–440V |            |                              |
|   |         |               | AC-21A<br>A                        | AC-23A<br>kW                  | AC-3<br>kW |                              |
| Main Switches<br>OFF position padlockable 09h               | 6 ... 8 | H200-D        | 20                                 | 5,5                           | 3,7        | <b>H216 - 41 ... - 738M1</b> |
|   |         |               | 25                                 | 7,5                           | 5,5        | <b>H220 - 41 ... - 738M1</b> |
|   |         |               | 32                                 | 11                            | 7,5        | <b>H226 - 41 ... - 738M1</b> |
|   |         |               | 40                                 | 15                            | 11         | <b>H233 - 41 ... - 738M1</b> |
| Main/Emergency-Off Switches<br>OFF position padlockable 09h | 6 ... 8 | H200-D        | 20                                 | 5,5                           | 3,7        | <b>H216 - 41 ... - 738M4</b> |
|   |         |               | 25                                 | 7,5                           | 5,5        | <b>H220 - 41 ... - 738M4</b> |
|   |         |               | 32                                 | 11                            | 7,5        | <b>H226 - 41 ... - 738M4</b> |
|   |         |               | 40                                 | 15                            | 11         | <b>H233 - 41 ... - 738M4</b> |

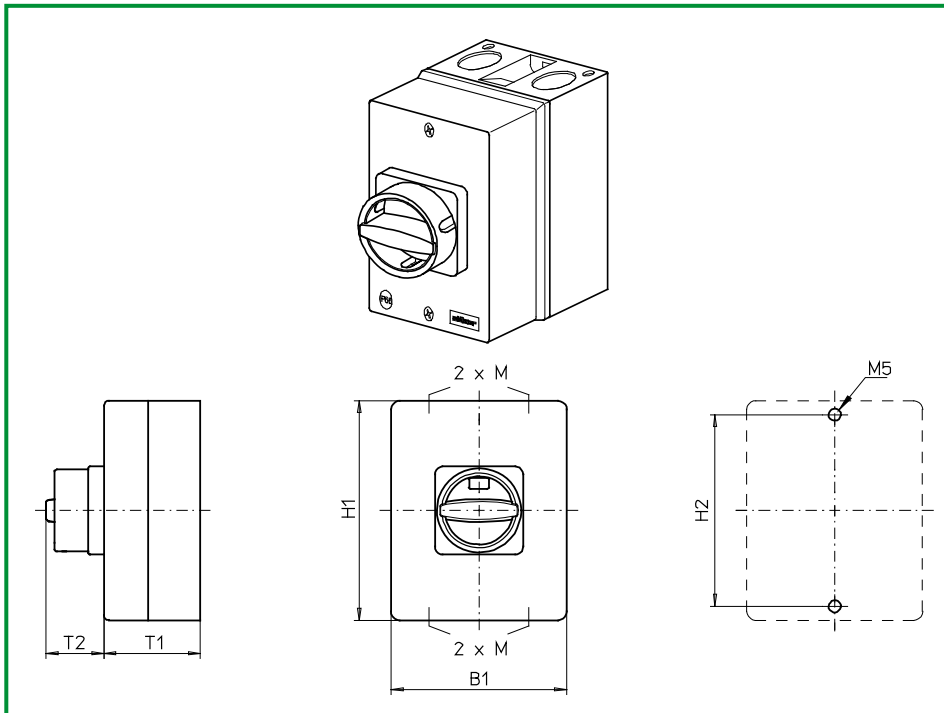
| SMD modules for basic switch A02        |        |                     |
|---|--------|---------------------|
| Mounting form module (switch module ED) | H200-D | <b>BFC2 - ED</b>    |
| Enclosure module, mounting form 738M1   |        | <b>PAH2 - 738M1</b> |
| Enclosure module, mounting form 738M4   |        | <b>PAH2 - 738M4</b> |

| Dimensions (mm) |     |     |     |    |       |     |
|-----------------|-----|-----|-----|----|-------|-----|
| Product line    | H1  | B1  | T1  | T2 | 2xM   | H2  |
| H200-D          | 250 | 160 | 120 | 38 | 32/40 | 235 |



# Enclosed Switches

# sälzer



**Product line**  
**H200-D**

**Enclosed switch**

**Insulated enclosure**  
250 × 160 × 120 mm

with cover interlock  
in ON position  
with PE terminal  
without N terminal

**Cable entries**  
4 × M32/M40

**738N1** (IP66)

**738N4** (IP66)

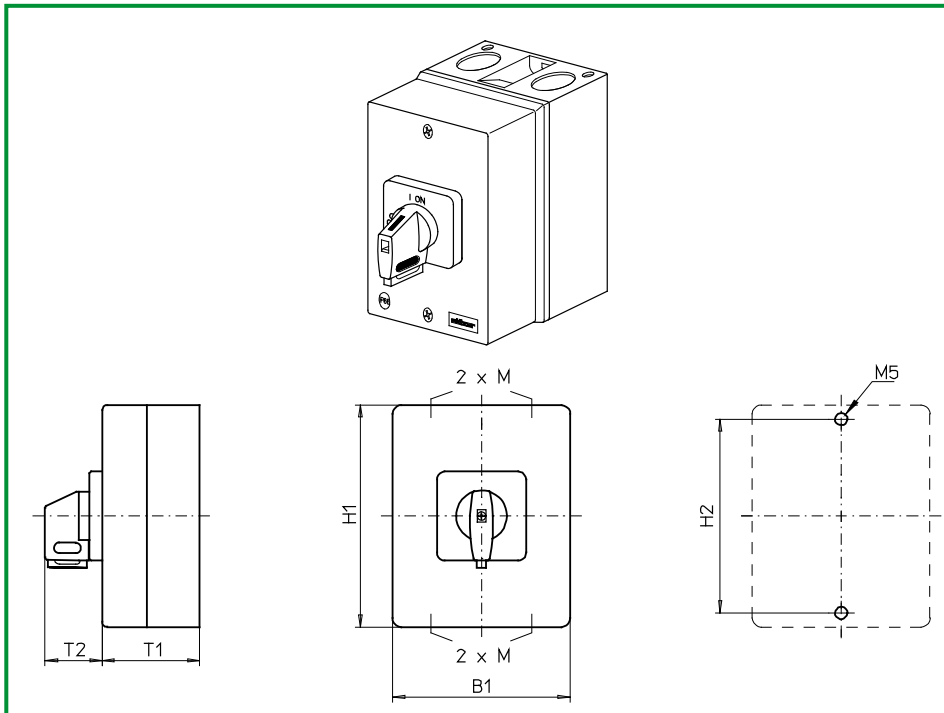
| Complete switch   | Poles   | Product lines | Rated data (IEC 60947)             |                               |            | Order code number            |
|---|---------|---------------|------------------------------------|-------------------------------|------------|------------------------------|
|   |         |               | Operational current I <sub>e</sub> | Operational power at 380–440V |            |                              |
|   |         |               | AC-21A<br>A                        | AC-23A<br>kW                  | AC-3<br>kW |                              |
| Main Switches<br>OFF position padlockable 12h               | 6 ... 8 | H200-D        | 20                                 | 5,5                           | 3,7        | <b>H216 - 41 ... - 738N1</b> |
|   |         |               | 25                                 | 7,5                           | 5,5        | <b>H220 - 41 ... - 738N1</b> |
|   |         |               | 32                                 | 11                            | 7,5        | <b>H226 - 41 ... - 738N1</b> |
|   |         |               | 40                                 | 15                            | 11         | <b>H233 - 41 ... - 738N1</b> |
| Main/Emergency-Off Switches<br>OFF position padlockable 12h | 6 ... 8 | H200-D        | 20                                 | 5,5                           | 3,7        | <b>H216 - 41 ... - 738N4</b> |
|   |         |               | 25                                 | 7,5                           | 5,5        | <b>H220 - 41 ... - 738N4</b> |
|   |         |               | 32                                 | 11                            | 7,5        | <b>H226 - 41 ... - 738N4</b> |
|   |         |               | 40                                 | 15                            | 11         | <b>H233 - 41 ... - 738N4</b> |

| SMD modules for basic switch A02        |        |                     |
|---|--------|---------------------|
| Mounting form module (switch module ED) | H200-D | <b>BFC2 - ED</b>    |
| Enclosure module, mounting form 738N1   |        | <b>PAH2 - 738N1</b> |
| Enclosure module, mounting form 738N4   |        | <b>PAH2 - 738N4</b> |

| Dimensions (mm) |     |     |     |    |       |     |
|-----------------|-----|-----|-----|----|-------|-----|
| Product line    | H1  | B1  | T1  | T2 | 2xM   | H2  |
| H200-D          | 250 | 160 | 120 | 33 | 32/40 | 235 |

# Enclosed Switches

**sälzer**



**Product line  
H200-D**

**Enclosed switch**

**Insulated enclosure**  
250 × 160 × 120 mm

with cover interlock  
in ON position

with PE terminal  
without N terminal

**Cable entries**  
4 × M32/M40

**738V1** (IP66)

**738V4** (IP66)

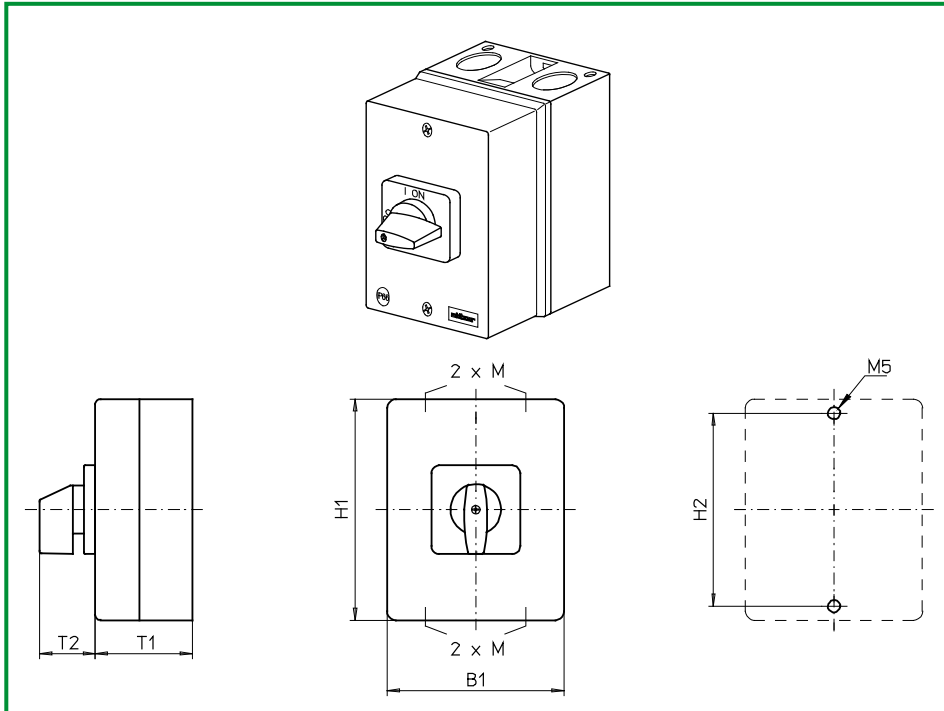
| Complete switch   | Poles   | Product lines | Rated data (IEC 60947)             |                               |            | Order code number            |
|---|---------|---------------|------------------------------------|-------------------------------|------------|------------------------------|
|   |         |               | Operational current I <sub>e</sub> | Operational power at 380–440V |            |                              |
|   |         |               | AC-21A<br>A                        | AC-23A<br>kW                  | AC-3<br>kW |                              |
| Main Switches<br>OFF position padlockable 09h               | 6 ... 8 | H200-D        | 20                                 | 5,5                           | 3,7        | <b>H216 - 41 ... - 738V1</b> |
|   |         |               | 25                                 | 7,5                           | 5,5        | <b>H220 - 41 ... - 738V1</b> |
|   |         |               | 32                                 | 11                            | 7,5        | <b>H226 - 41 ... - 738V1</b> |
|   |         |               | 40                                 | 15                            | 11         | <b>H233 - 41 ... - 738V1</b> |
| Main/Emergency-Off Switches<br>OFF position padlockable 09h | 6 ... 8 | H200-D        | 20                                 | 5,5                           | 3,7        | <b>H216 - 41 ... - 738V4</b> |
|   |         |               | 25                                 | 7,5                           | 5,5        | <b>H220 - 41 ... - 738V4</b> |
|   |         |               | 32                                 | 11                            | 7,5        | <b>H226 - 41 ... - 738V4</b> |
|   |         |               | 40                                 | 15                            | 11         | <b>H233 - 41 ... - 738V4</b> |

| SMD modules for basic switch A02            |        |                                |
|---|--------|--------------------------------|
| Mounting form module (switch module ED)     | H200-D | <b>BFC2 - ED</b>               |
| Enclosure module, mounting form 738V1       |        | <b>PAH2 - 738V1</b>            |
| Enclosure module, mounting form 738V4       |        | <b>PAH2 - 738V4</b>            |
| Legend plate silver, enclosure module 738V1 |        | <b>FAS4 - 9...</b> (FA number) |
| Legend plate yellow, enclosure module 738V4 |        | <b>FBS4 - 9...</b> (FA number) |

| Dimensions (mm) |     |     |     |    |       |     |
|-----------------|-----|-----|-----|----|-------|-----|
| Product line    | H1  | B1  | T1  | T2 | 2xM   | H2  |
| H200-D          | 250 | 160 | 120 | 39 | 32/40 | 235 |

# Enclosed Switches

# sälzer



**Product line**  
**H200-D**

**Enclosed switch**

**Insulated enclosure**  
250 × 160 × 120 mm

with cover interlock  
in ON position  
with PE terminal  
without N terminal

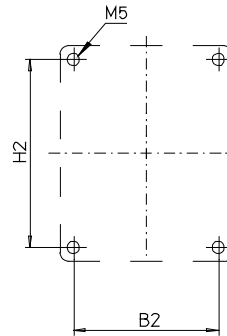
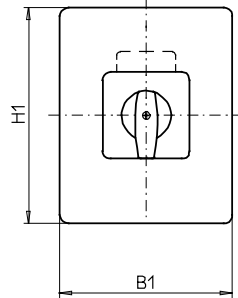
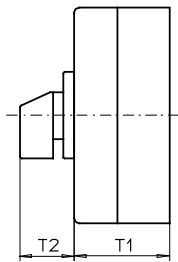
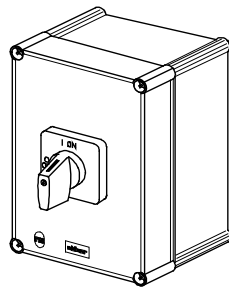
**Cable entries**  
4 × M32/M40

**739M1** (IP66)

| Complete switch                             | Poles     | Product lines | Rated data (IEC 60947)             |                               |            | Order code number              |
|---|-----------|---------------|------------------------------------|-------------------------------|------------|--------------------------------|
|   |           |               | Operational current I <sub>e</sub> | Operational power at 380–440V |            |                                |
|   |           |               | AC-21A<br>A                        | AC-23A<br>kW                  | AC-3<br>kW |                                |
| ON-OFF Switches<br>Switching angle 90°      | 6 ... 8   | H200-D        | 20                                 | 5,5                           | 3,7        | <b>H216 - 41 ... - 739M1</b>   |
|   |           |               | 25                                 | 7,5                           | 5,5        | <b>H220 - 41 ... - 739M1</b>   |
|   |           |               | 32                                 | 11                            | 7,5        | <b>H226 - 41 ... - 739M1</b>   |
|   |           |               | 40                                 | 15                            | 11         | <b>H233 - 41 ... - 739M1</b>   |
| <b>SMD modules for basic switch A02</b>     |           |               |                                    |                               |            |                                |
| Mounting form module (switch module ED)     |           |               | H200-D                             |                               |            | <b>BFC2 - ED</b>               |
| Enclosure module, mounting form 739M1       |           |               |                                    |                               |            | <b>PAH2 - 739M1</b>            |
| Legend plate silver, enclosure module 739M1 |           |               |                                    |                               |            | <b>FAS4 - 9...</b> (FA number) |
| <b>Dimensions (mm)</b>                      |           |               |                                    |                               |            |                                |
| <b>Product line</b>                         | <b>H1</b> | <b>B1</b>     | <b>T1</b>                          | <b>T2</b>                     | <b>2xM</b> | <b>H2</b>                      |
| H200-D                                      | 250       | 160           | 120                                | 39                            | 32/40      | 235                            |

# Enclosed Switches

# sälzer



**Product line**  
**H200-D**

**Insulated enclosure**  
**Polycarbonate**  
280 × 190 × 130 mm

with cover interlock  
in ON position

**Cable entries**  
without  
with PE terminal  
without N terminal

**741M1** (IP66)

| Complete switch                        | Poles   | Product lines | Rated data (IEC 60947)             |                               |            | Order code number            |
|--|---------|---------------|------------------------------------|-------------------------------|------------|------------------------------|
|  |         |               | Operational current I <sub>e</sub> | Operational power at 380–440V |            |                              |
|  |         |               | AC-21A<br>A                        | AC-23A<br>kW                  | AC-3<br>kW |                              |
| ON-OFF Switches<br>Switching angle 90° | 6 ... 8 | H200-D        | 20                                 | 5,5                           | 3,7        | <b>H216 - 41 ... - 741M1</b> |
|  |         |               | 25                                 | 7,5                           | 5,5        | <b>H220 - 41 ... - 741M1</b> |
|  |         |               | 32                                 | 11                            | 7,5        | <b>H226 - 41 ... - 741M1</b> |
|  |         |               | 40                                 | 15                            | 11         | <b>H233 - 41 ... - 741M1</b> |

Realisable switching programmes:

6 pole 41600, 41611, 41620, 41622, 41631, 41640  
8 pole 41800

### SMD modules for basic switch A02

Mounting form module for 741M1

H200-D

**BFB2 - E8**

Enclosure module, mounting form 741M1

**PAH2 - 741M1**

Legend plate silver, enclosure module 741M1

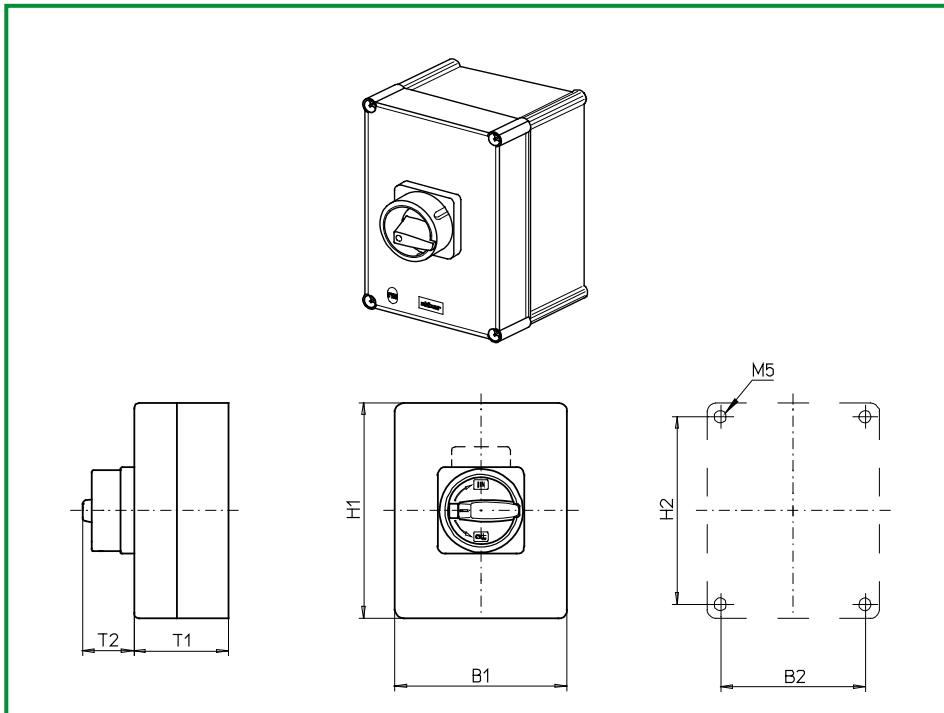
**FAS4 - 9...** (FA number)

### Dimensions (mm)

| Product line | H1  | B1  | T1  | T2 | H2  | B2  |
|--------------|-----|-----|-----|----|-----|-----|
| H200-D       | 280 | 190 | 130 | 39 | 254 | 164 |

# Enclosed Switches

# sälzer



**Product line**  
**H200-D**

**Insulated enclosure**  
**Polycarbonate**  
280 × 190 × 130 mm

with cover interlock  
in ON position

**Cable entries**  
without

with PE terminal  
without N terminal

**740M1** (IP66)

**740M4** (IP66)

| Complete switch   | Poles   | Product lines | Rated data (IEC 60947)             |                               |            | Order code number            |
|---|---------|---------------|------------------------------------|-------------------------------|------------|------------------------------|
|   |         |               | Operational current I <sub>e</sub> | Operational power at 380–440V |            |                              |
|   |         |               | AC-21A<br>A                        | AC-23A<br>kW                  | AC-3<br>kW |                              |
| Main Switches<br>OFF position padlockable 09h               | 6 ... 8 | H200-D        | 20                                 | 5,5                           | 3,7        | <b>H216 - 41 ... - 740M1</b> |
|   |         |               | 25                                 | 7,5                           | 5,5        | <b>H220 - 41 ... - 740M1</b> |
|   |         |               | 32                                 | 11                            | 7,5        | <b>H226 - 41 ... - 740M1</b> |
|   |         |               | 40                                 | 15                            | 11         | <b>H233 - 41 ... - 740M1</b> |
| Main/Emergency-Off Switches<br>OFF position padlockable 09h | 6 ... 8 | H200-D        | 20                                 | 5,5                           | 3,7        | <b>H216 - 41 ... - 740M4</b> |
|   |         |               | 25                                 | 7,5                           | 5,5        | <b>H220 - 41 ... - 740M4</b> |
|   |         |               | 32                                 | 11                            | 7,5        | <b>H226 - 41 ... - 740M4</b> |
|   |         |               | 40                                 | 15                            | 11         | <b>H233 - 41 ... - 740M4</b> |

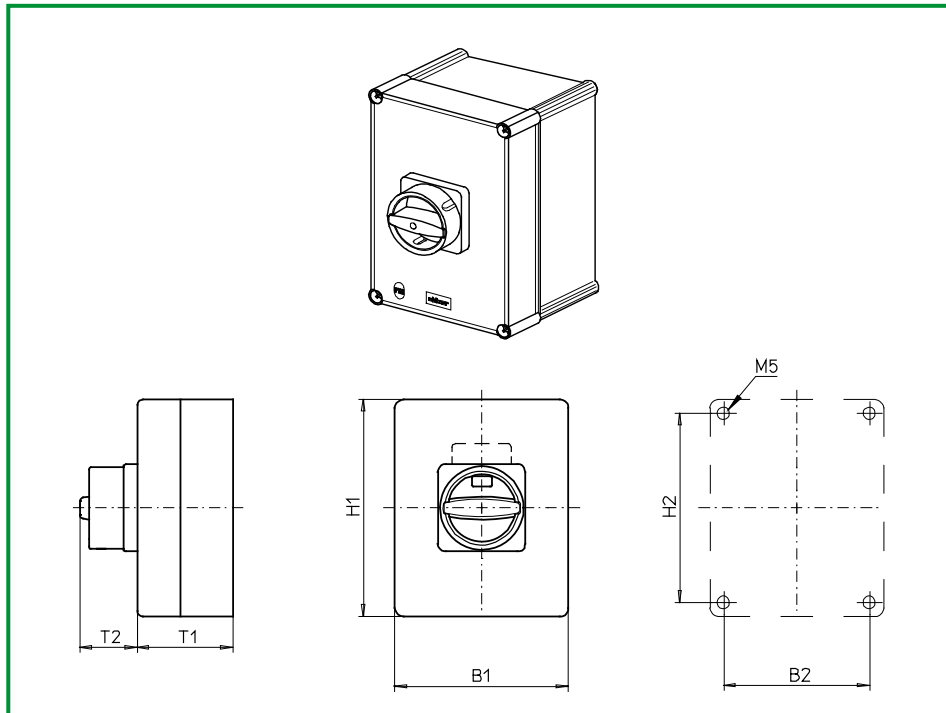
Realisable switching programmes:  
 6 pole 41600, 41611, 41620, 41622, 41631, 41640  
 8 pole 41800

| SMD modules for basic switch A02      |        |                     |
|---------------------------------------|--------|---------------------|
| Mounting form module for 740M1/740M4  | H200-D | <b>BFB2 - E8</b>    |
| Enclosure module, mounting form 740M1 |        | <b>PAH2 - 740M1</b> |
| Enclosure module, mounting form 740M4 |        | <b>PAH2 - 740M4</b> |

| Dimensions (mm) |     |     |     |    |     |     |
|-----------------|-----|-----|-----|----|-----|-----|
| Product line    | H1  | B1  | T1  | T2 | H2  | B2  |
| H200-D          | 280 | 190 | 130 | 38 | 254 | 164 |

# Enclosed Switches

# sälzer



**Product line**  
**H200-D**

**Insulated enclosure**  
**Polycarbonate**  
280 × 190 × 130 mm

with cover interlock  
in ON position

**Cable entries**  
without

with PE terminal  
without N terminal

**740N1 (IP66)**

**740N4 (IP66)**

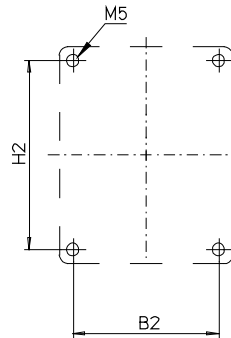
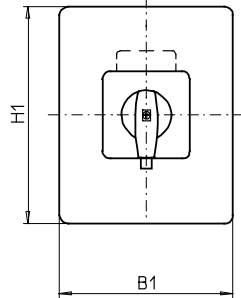
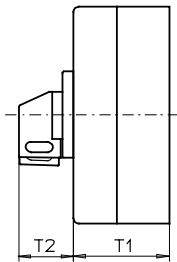
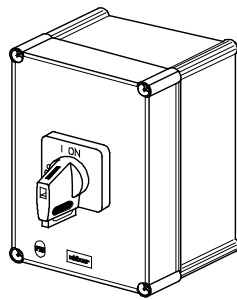
| Complete switch   | Poles                                    | Product lines | Rated data (IEC 60947)             |                               |            | Order code number            |
|---|--|---------------|------------------------------------|-------------------------------|------------|------------------------------|
|   |  |               | Operational current I <sub>e</sub> | Operational power at 380–440V |            |                              |
|   |  |               | AC-21A<br>A                        | AC-23A<br>kW                  | AC-3<br>kW |                              |
| Main Switches<br>OFF position padlockable 12h               | 6 ... 8                                  | H200-D        | 20                                 | 5,5                           | 3,7        | <b>H216 - 41 ... - 740N1</b> |
|   |  |               | 25                                 | 7,5                           | 5,5        | <b>H220 - 41 ... - 740N1</b> |
|   |  |               | 32                                 | 11                            | 7,5        | <b>H226 - 41 ... - 740N1</b> |
|   |  |               | 40                                 | 15                            | 11         | <b>H233 - 41 ... - 740N1</b> |
| Main/Emergency-Off Switches<br>OFF position padlockable 12h | 6 ... 8                                  | H200-D        | 20                                 | 5,5                           | 3,7        | <b>H216 - 41 ... - 740N4</b> |
|   |  |               | 25                                 | 7,5                           | 5,5        | <b>H220 - 41 ... - 740N4</b> |
|   |  |               | 32                                 | 11                            | 7,5        | <b>H226 - 41 ... - 740N4</b> |
|   |  |               | 40                                 | 15                            | 11         | <b>H233 - 41 ... - 740N4</b> |
| Realisable switching programmes:                            |  |               |                                    |                               |            |                              |
| 6 pole  | 41600, 41611, 41620, 41622, 41631, 41640 |               |                                    |                               |            |                              |
| 8 pole  | 41800                                    |               |                                    |                               |            |                              |

| SMD modules for basic switch A02      |  |        |                     |
|---------------------------------------|--|--------|---------------------|
| Mounting form module for 740N1/740N4  |  | H200-D | <b>BFB2 - E8</b>    |
| Enclosure module, mounting form 740N1 |  |        | <b>PAH2 - 740N1</b> |
| Enclosure module, mounting form 740N4 |  |        | <b>PAH2 - 740N4</b> |

| Dimensions (mm) |     |     |     |    |     |     |
|-----------------|-----|-----|-----|----|-----|-----|
| Product line    | H1  | B1  | T1  | T2 | H2  | B2  |
| H200-D          | 280 | 190 | 130 | 33 | 254 | 164 |

# Enclosed Switches

# sälzer



**Product line**  
**H200-D**

**Insulated enclosure**  
**Polycarbonate**  
280 × 190 × 130 mm

with cover interlock  
in ON position

**Cable entries**  
without

with PE terminal  
without N terminal

**740V1 (IP66)**

**740V4 (IP66)**

| Complete switch   | Poles   | Product lines | Rated data (IEC 60947)             |                               |            | Order code number            |
|---|---------|---------------|------------------------------------|-------------------------------|------------|------------------------------|
|   |         |               | Operational current I <sub>e</sub> | Operational power at 380–440V |            |                              |
|   |         |               | AC-21A<br>A                        | AC-23A<br>kW                  | AC-3<br>kW |                              |
| Main Switches<br>OFF position padlockable 09h               | 6 ... 8 | H200-D        | 20                                 | 5,5                           | 3,7        | <b>H216 - 41 ... - 740V1</b> |
|   |         |               | 25                                 | 7,5                           | 5,5        | <b>H220 - 41 ... - 740V1</b> |
|   |         |               | 32                                 | 11                            | 7,5        | <b>H226 - 41 ... - 740V1</b> |
|   |         |               | 40                                 | 15                            | 11         | <b>H233 - 41 ... - 740V1</b> |
| Main/Emergency-Off Switches<br>OFF position padlockable 09h | 6 ... 8 | H200-D        | 20                                 | 5,5                           | 3,7        | <b>H216 - 41 ... - 740V4</b> |
|   |         |               | 25                                 | 7,5                           | 5,5        | <b>H220 - 41 ... - 740V4</b> |
|   |         |               | 32                                 | 11                            | 7,5        | <b>H226 - 41 ... - 740V4</b> |
|   |         |               | 40                                 | 15                            | 11         | <b>H233 - 41 ... - 740V4</b> |

Realisable switching programmes:

6 pole 41600, 41611, 41620, 41622, 41631, 41640  
8 pole 41800

### SMD modules for basic switch A02

Mounting form module for 740V1/740V4

H200-D

**BFB2 - E8**

Enclosure module, mounting form 740V1  
Enclosure module, mounting form 740V4

**PAH2 - 740V1**  
**PAH2 - 740V4**

Legend plate silver, enclosure module 740V1  
Legend plate yellow, enclosure module 740V4

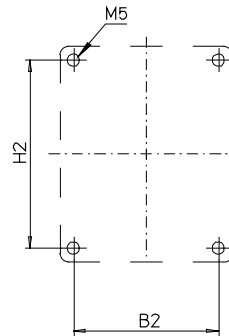
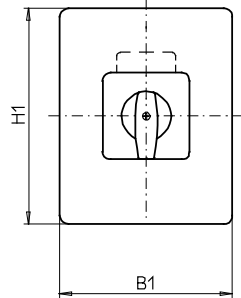
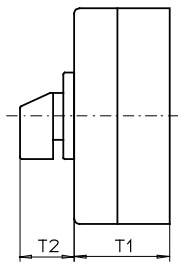
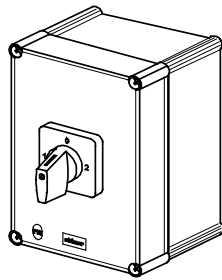
**FAS4 - 9...** (FA number)  
**FBS4 - 9...** (FA number)

### Dimensions (mm)

| Product line | H1  | B1  | T1  | T2 | H2  | B2  |
|--------------|-----|-----|-----|----|-----|-----|
| H200-D       | 280 | 190 | 130 | 39 | 254 | 164 |

# Enclosed Switches

# sälzer



**Product line**  
**H200-E**

**Insulated enclosure**  
**Polycarbonate**  
280 × 190 × 130 mm

Cover interlock  
in position 1 and 2

**Cable entries**  
without  
with PE terminal  
without N terminal

**742M1** (IP66)

| Complete switch                            | Poles   | Product lines | Rated data (IEC 60947)             |                               |            | Order code number            |
|--|---------|---------------|------------------------------------|-------------------------------|------------|------------------------------|
|  |         |               | Operational current I <sub>e</sub> | Operational power at 380–440V |            |                              |
|  |         |               | AC-21A<br>A                        | AC-23A<br>kW                  | AC-3<br>kW |                              |
| Changeover with OFF<br>Switching angle 90° | 3 ... 4 | H200-E        | 20                                 | 5,5                           | 3,7        | <b>H216 - 71 ... - 742M1</b> |
|  |         |               | 25                                 | 7,5                           | 5,5        | <b>H220 - 71 ... - 742M1</b> |
|  |         |               | 32                                 | 11                            | 7,5        | <b>H226 - 71 ... - 742M1</b> |
|  |         |               | 40                                 | 15                            | 11         | <b>H233 - 71 ... - 742M1</b> |

Realisable switching programmes:

3 pole 71300, 71301, 71302, 71310, 71311, 71312  
71320, 71321, 71322  
4 pole 71400

### SMD modules for basic switch A02

|   |        |                                |
|---|--------|--------------------------------|
| Mounting form module for 742M1              | H200-E | <b>BFB2 - E8</b>               |
| Enclosure module, mounting form 742M1       |        | <b>PAH2 - 742M1</b>            |
| Legend plate silver, enclosure module 742M1 |        | <b>FAS4 - 9...</b> (FA number) |

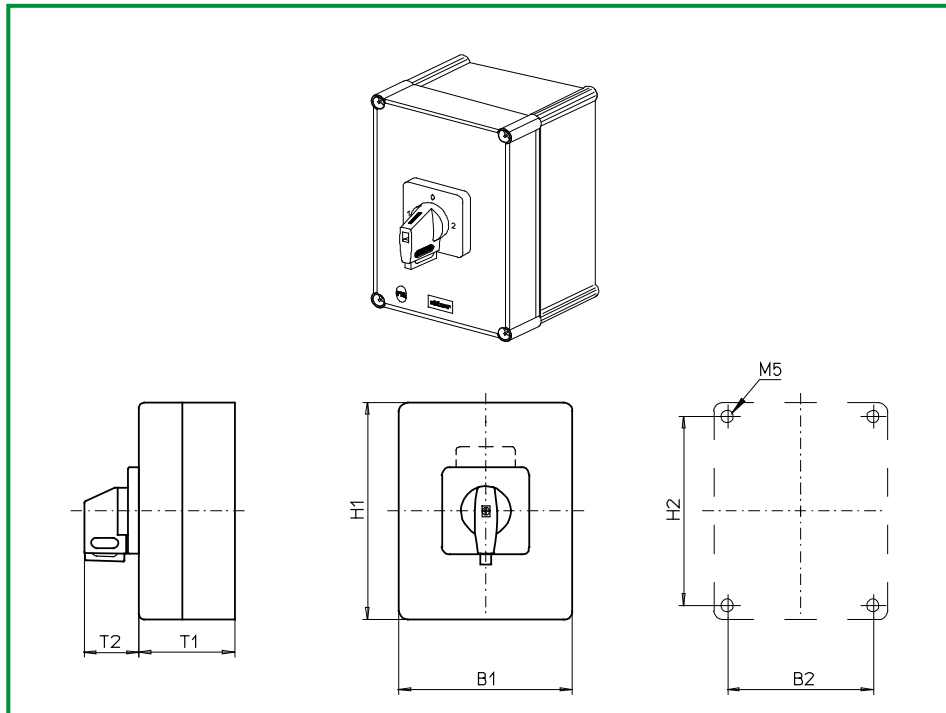
### Dimensions (mm)

| Product line | H1  | B1  | T1  | T2 | H2  | B2  |
|--------------|-----|-----|-----|----|-----|-----|
| H200-E       | 280 | 190 | 130 | 39 | 254 | 164 |



# Enclosed Switches

# sälzer



**Product line**  
**H200-E**

**Insulated enclosure**  
**Polycarbonate**  
280 × 190 × 130 mm

Cover interlock  
in position 1 and 2

**Cable entries**  
without  
with PE terminal  
without N terminal

**742V1** (IP66)

**743V1** (IP66)

| Complete switch  | Poles     | Product lines | Rated data (IEC 60947)    |              |                                | Order code number            |
|--|-----------|---------------|---------------------------|--------------|--------------------------------|------------------------------|
|  |           |               | Operational current $I_e$ |              | Operational power at 380–440V  |                              |
|  |           |               | AC-21A<br>A               | AC-23A<br>kW | AC-3<br>kW                     |                              |
| Changeover with OFF<br>Switching angle 90°<br>OFF position padlockable 12h             | 3 ... 4   | H200-E        | 20                        | 5,5          | 3,7                            | <b>H216 - 71 ... - 742V1</b> |
|  |           |               | 25                        | 7,5          | 5,5                            | <b>H220 - 71 ... - 742V1</b> |
|  |           |               | 32                        | 11           | 7,5                            | <b>H226 - 71 ... - 742V1</b> |
|  |           |               | 40                        | 15           | 11                             | <b>H233 - 71 ... - 742V1</b> |
| Changeover with OFF<br>Switching angle 90°<br>3 positions padlockable<br>(09h/12h/03h) | 3 ... 4   | H200-E        | 20                        | 5,5          | 3,7                            | <b>H216 - 71 ... - 743V1</b> |
|  |           |               | 25                        | 7,5          | 5,5                            | <b>H220 - 71 ... - 743V1</b> |
|  |           |               | 32                        | 11           | 7,5                            | <b>H226 - 71 ... - 743V1</b> |
|  |           |               | 40                        | 15           | 11                             | <b>H233 - 71 ... - 743V1</b> |
| Realisable switching programmes:   |           |               |                           |              |                                |                              |
| 3 pole    71300, 71301, 71302, 71310, 71311, 71312                                     |           |               |                           |              |                                |                              |
| 71320, 71321, 71322  |           |               |                           |              |                                |                              |
| 4 pole    71400  |           |               |                           |              |                                |                              |
| <b>SMD modules for basic switch A02</b>  |           |               |                           |              |                                |                              |
| Mounting form module for 742V1/743V1   |           |               | H200-E                    |              | <b>BFB2 - E8</b>               |                              |
| Enclosure module, mounting form 742V1  |           |               |                           |              | <b>PAH2 - 742V1</b>            |                              |
| Enclosure module, mounting form 743V1  |           |               |                           |              | <b>PAH2 - 743V1</b>            |                              |
| Legend plate silver, enclosure module 742V1/743V1                                      |           |               |                           |              | <b>FAS4 - 9...</b> (FA number) |                              |
| <b>Dimensions (mm)</b>   |           |               |                           |              |                                |                              |
| <b>Product line</b>  | <b>H1</b> | <b>B1</b>     | <b>T1</b>                 | <b>T2</b>    | <b>H2</b>                      | <b>B2</b>                    |
| H200-E   | 280       | 190           | 130                       | 39           | 254                            | 164                          |

# Enclosed Switches

# sälzer

**Product line**  
**H200-D**

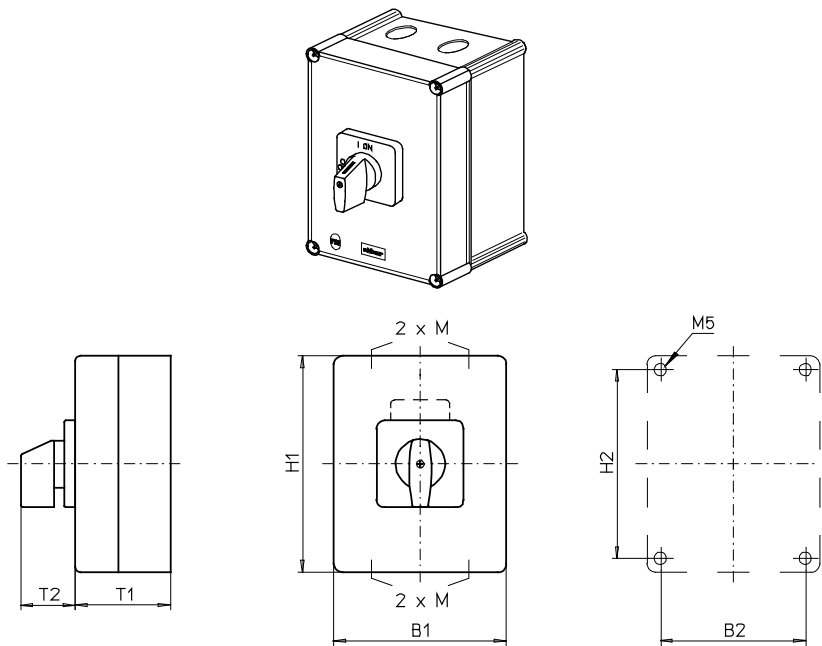
**Insulated enclosure**  
**Polycarbonate**  
280 × 190 × 130 mm

with cover interlock  
in ON position

**Cable entries**  
4 × with screw thread  
M40x1,5

with PE terminal  
without N terminal

**771M1** (IP66)



| Complete switch                        | Poles   | Product lines | Rated data (IEC 60947)             |                               |            | Order code number            |
|--|---------|---------------|------------------------------------|-------------------------------|------------|------------------------------|
|  |         |               | Operational current I <sub>e</sub> | Operational power at 380–440V |            |                              |
|  |         |               | AC-21A<br>A                        | AC-23A<br>kW                  | AC-3<br>kW |                              |
| ON-OFF Switches<br>Switching angle 90° | 6 ... 8 | H200-D        | 20                                 | 5,5                           | 3,7        | <b>H216 - 41 ... - 771M1</b> |
|  |         |               | 25                                 | 7,5                           | 5,5        | <b>H220 - 41 ... - 771M1</b> |
|  |         |               | 32                                 | 11                            | 7,5        | <b>H226 - 41 ... - 771M1</b> |
|  |         |               | 40                                 | 15                            | 11         | <b>H233 - 41 ... - 771M1</b> |

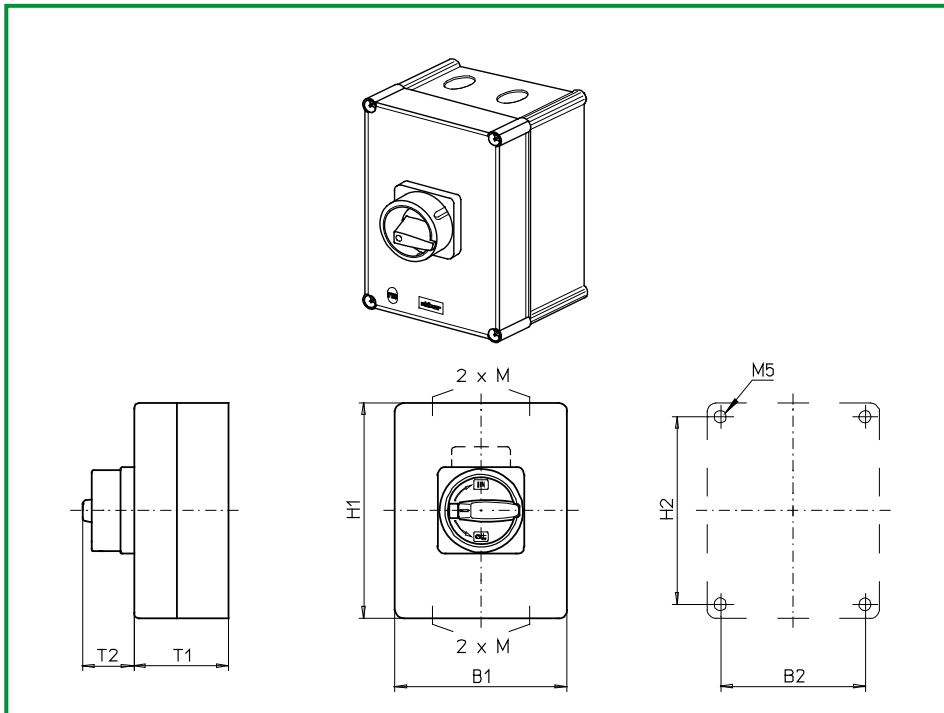
Realisable switching programmes:  
6 pole 41600, 41611, 41620, 41622, 41631, 41640  
8 pole 41800

| SMD modules for basic switch A02            |        |                                |
|---|--------|--------------------------------|
| Mounting form module for 771M1              | H200-D | <b>BFB2 - E8</b>               |
| Enclosure module, mounting form 771M1       |        | <b>PAH2 - 771M1</b>            |
| Legend plate silver, enclosure module 771M1 |        | <b>FAS4 - 9...</b> (FA number) |

| Dimensions (mm) |     |     |     |    |        |     |     |
|-----------------|-----|-----|-----|----|--------|-----|-----|
| Product line    | H1  | B1  | T1  | T2 | 2xM    | H2  | B2  |
| H200-D          | 280 | 190 | 130 | 39 | 40x1,5 | 254 | 164 |

# Enclosed Switches

# sälzer



**Product line**  
**H200-D**

**Insulated enclosure**  
**Polycarbonate**  
280 x 190 x 130 mm

with cover interlock  
in ON position

**Cable entries**  
4 x with screw thread  
M40x1,5

with PE terminal  
without N terminal

**770M1** (IP66)

**770M4** (IP66)

| Complete switch   | Poles                                    | Product lines | Rated data (IEC 60947)             |                               |            | Order code number            |
|---|--|---------------|------------------------------------|-------------------------------|------------|------------------------------|
|   |  |               | Operational current I <sub>e</sub> | Operational power at 380–440V |            |                              |
|   |  |               | AC-21A<br>A                        | AC-23A<br>kW                  | AC-3<br>kW |                              |
| Main Switches<br>OFF position padlockable 09h               | 6 ... 8                                  | H200-D        | 20                                 | 5,5                           | 3,7        | <b>H216 - 41 ... - 770M1</b> |
|   |  |               | 25                                 | 7,5                           | 5,5        | <b>H220 - 41 ... - 770M1</b> |
|   |  |               | 32                                 | 11                            | 7,5        | <b>H226 - 41 ... - 770M1</b> |
|   |  |               | 40                                 | 15                            | 11         | <b>H233 - 41 ... - 770M1</b> |
| Main/Emergency-Off Switches<br>OFF position padlockable 09h | 6 ... 8                                  | H200-D        | 20                                 | 5,5                           | 3,7        | <b>H216 - 41 ... - 770M4</b> |
|   |  |               | 25                                 | 7,5                           | 5,5        | <b>H220 - 41 ... - 770M4</b> |
|   |  |               | 32                                 | 11                            | 7,5        | <b>H226 - 41 ... - 770M4</b> |
|   |  |               | 40                                 | 15                            | 11         | <b>H233 - 41 ... - 770M4</b> |
| Realisable switching programmes:                            |  |               |                                    |                               |            |                              |
| 6 pole  | 41600, 41611, 41620, 41622, 41631, 41640 |               |                                    |                               |            |                              |
| 8 pole  | 41800                                    |               |                                    |                               |            |                              |

### SMD modules for basic switch A02

Mounting form module for 770M1/770M4

H200-D

**BFB2 - E8**

Enclosure module, mounting form 770M1  
Enclosure module, mounting form 770M4

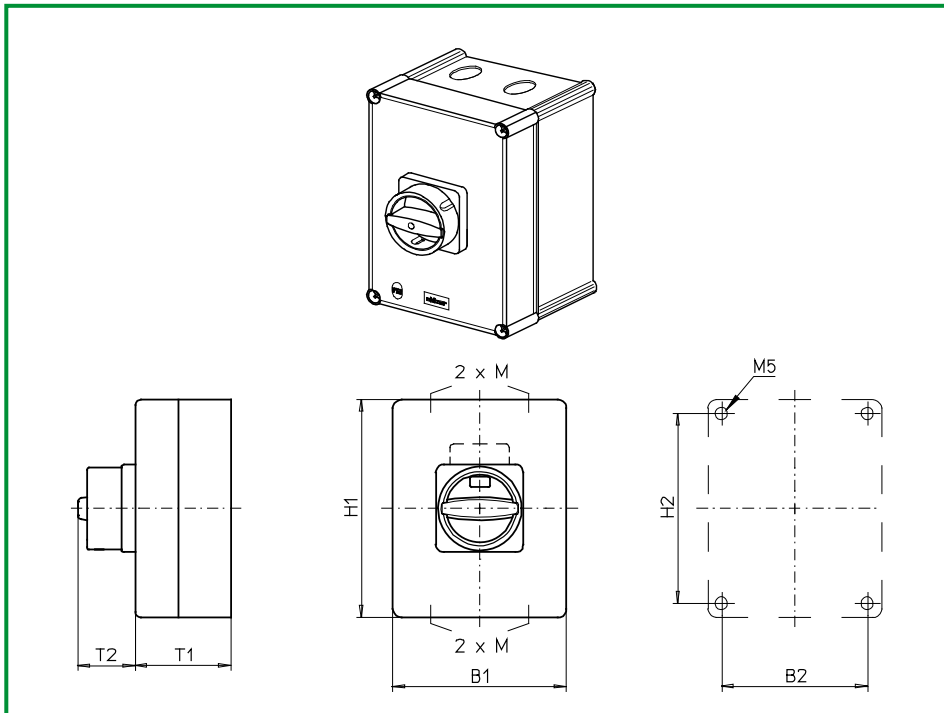
**PAH2 - 770M1**  
**PAH2 - 770M4**

### Dimensions (mm)

| Product line | H1  | B1  | T1  | T2 | 2xM    | H2  | B2  |
|--------------|-----|-----|-----|----|--------|-----|-----|
| H200-D       | 280 | 190 | 130 | 50 | 40x1,5 | 254 | 164 |

# Enclosed Switches

**sälzer**



**Product line**  
**H200-D**

**Insulated enclosure**  
**Polycarbonate**  
280 x 190 x 130 mm

with cover interlock  
in ON position

**Cable entries**  
4 x with screw thread  
M40x1,5

with PE terminal  
without N terminal

**770N1 (IP66)**

**770N4 (IP66)**

| Complete switch   | Poles                                    | Product lines | Rated data (IEC 60947)             |                               |            | Order code number            |
|---|--|---------------|------------------------------------|-------------------------------|------------|------------------------------|
|   |  |               | Operational current I <sub>e</sub> | Operational power at 380–440V |            |                              |
|   |  |               | AC-21A<br>A                        | AC-23A<br>kW                  | AC-3<br>kW |                              |
| Main Switches<br>OFF position padlockable 12h               | 6 ... 8                                  | H200-D        | 20                                 | 5,5                           | 3,7        | <b>H216 - 41 ... - 770N1</b> |
|   |  |               | 25                                 | 7,5                           | 5,5        | <b>H220 - 41 ... - 770N1</b> |
|   |  |               | 32                                 | 11                            | 7,5        | <b>H226 - 41 ... - 770N1</b> |
|   |  |               | 40                                 | 15                            | 11         | <b>H233 - 41 ... - 770N1</b> |
| Main/Emergency-Off Switches<br>OFF position padlockable 12h | 6 ... 8                                  | H200-D        | 20                                 | 5,5                           | 3,7        | <b>H216 - 41 ... - 770N4</b> |
|   |  |               | 25                                 | 7,5                           | 5,5        | <b>H220 - 41 ... - 770N4</b> |
|   |  |               | 32                                 | 11                            | 7,5        | <b>H226 - 41 ... - 770N4</b> |
|   |  |               | 40                                 | 15                            | 11         | <b>H233 - 41 ... - 770N4</b> |
| Realisable switching programmes:                            |  |               |                                    |                               |            |                              |
| 6 pole  | 41600, 41611, 41620, 41622, 41631, 41640 |               |                                    |                               |            |                              |
| 8 pole  | 41800                                    |               |                                    |                               |            |                              |

| SMD modules for basic switch A02      |        |                     |
|---------------------------------------|--------|---------------------|
| Mounting form module for 770N1/770N4  | H200-D | <b>BFB2 - E8</b>    |
| Enclosure module, mounting form 770N1 |        | <b>PAH2 - 770N1</b> |
| Enclosure module, mounting form 770N4 |        | <b>PAH2 - 770N4</b> |

| Dimensions (mm) |     |     |     |    |        |     |     |
|-----------------|-----|-----|-----|----|--------|-----|-----|
| Product line    | H1  | B1  | T1  | T2 | 2xM    | H2  | B2  |
| H200-D          | 280 | 190 | 130 | 45 | 40x1,5 | 254 | 164 |

# Enclosed Switches

# sälzer

**Product line**  
**H200-D**

**Insulated enclosure**  
**Polycarbonate**  
280 × 190 × 130 mm

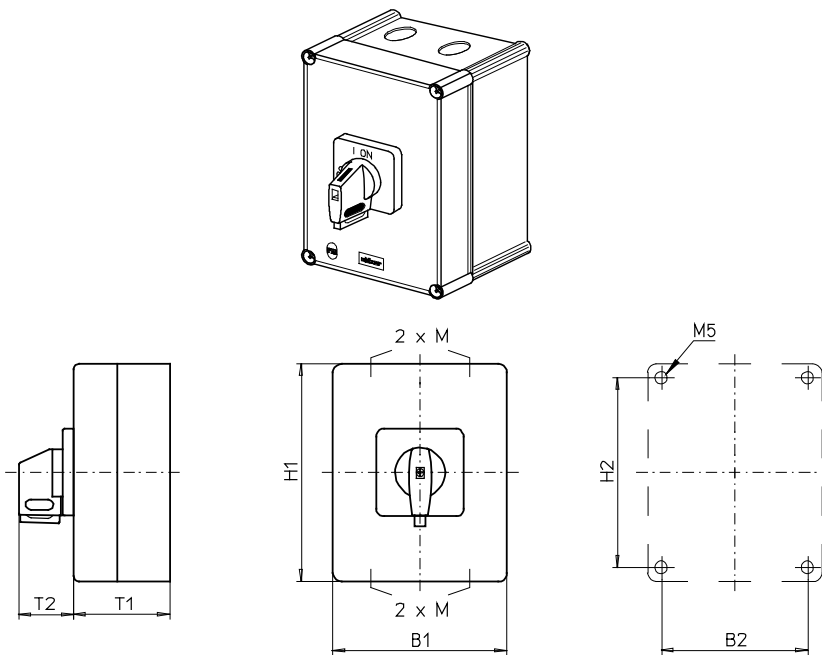
with cover interlock  
in ON position

**Cable entries**  
4 × with screw thread  
M40x1,5

with PE terminal  
without N terminal

**770V1 (IP66)**

**770V4 (IP66)**



| Complete switch   | Poles   | Product lines | Rated data (IEC 60947)             |                               |            | Order code number            |
|---|---------|---------------|------------------------------------|-------------------------------|------------|------------------------------|
|   |         |               | Operational current I <sub>e</sub> | Operational power at 380–440V |            |                              |
|   |         |               | AC-21A<br>A                        | AC-23A<br>kW                  | AC-3<br>kW |                              |
| Main Switches<br>OFF position padlockable 09h               | 6 ... 8 | H200-D        | 20                                 | 5,5                           | 3,7        | <b>H216 - 41 ... - 770V1</b> |
|   |         |               | 25                                 | 7,5                           | 5,5        | <b>H220 - 41 ... - 770V1</b> |
|   |         |               | 32                                 | 11                            | 7,5        | <b>H226 - 41 ... - 770V1</b> |
|   |         |               | 40                                 | 15                            | 11         | <b>H233 - 41 ... - 770V1</b> |
| Main/Emergency-Off Switches<br>OFF position padlockable 09h | 6 ... 8 | H200-D        | 20                                 | 5,5                           | 3,7        | <b>H216 - 41 ... - 770V4</b> |
|   |         |               | 25                                 | 7,5                           | 5,5        | <b>H220 - 41 ... - 770V4</b> |
|   |         |               | 32                                 | 11                            | 7,5        | <b>H226 - 41 ... - 770V4</b> |
|   |         |               | 40                                 | 15                            | 11         | <b>H233 - 41 ... - 770V4</b> |

Realisable switching programmes:

6 pole 41600, 41611, 41620, 41622, 41631, 41640  
8 pole 41800

### SMD modules for basic switch A02

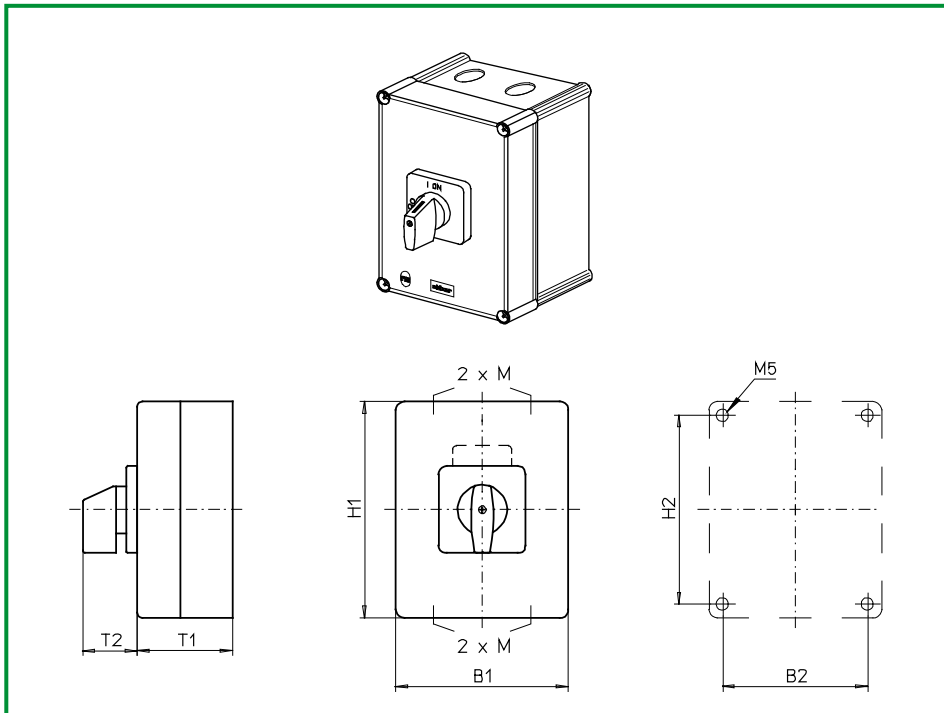
|   |        |                                |
|---|--------|--------------------------------|
| Mounting form module for 770V1/770V4        | H200-D | <b>BFB2 - E8</b>               |
| Enclosure module, mounting form 770V1       |        | <b>PAH2 - 770V1</b>            |
| Enclosure module, mounting form 770V4       |        | <b>PAH2 - 770V4</b>            |
| Legend plate silver, enclosure module 770V1 |        | <b>FAS4 - 9...</b> (FA number) |
| Legend plate yellow, enclosure module 770V4 |        | <b>FBS4 - 9...</b> (FA number) |

### Dimensions (mm)

| Product line | H1  | B1  | T1  | T2 | 2xM    | H2  | B2  |
|--------------|-----|-----|-----|----|--------|-----|-----|
| H200-D       | 280 | 190 | 130 | 39 | 40x1,5 | 254 | 164 |

# Enclosed Switches

# sälzer



**Product line**  
**H200-E**

**Insulated enclosure**  
**Polycarbonate**  
280 × 190 × 130 mm

with cover interlock  
in ON position

**Cable entries**  
4 × with screw thread  
M40x1,5

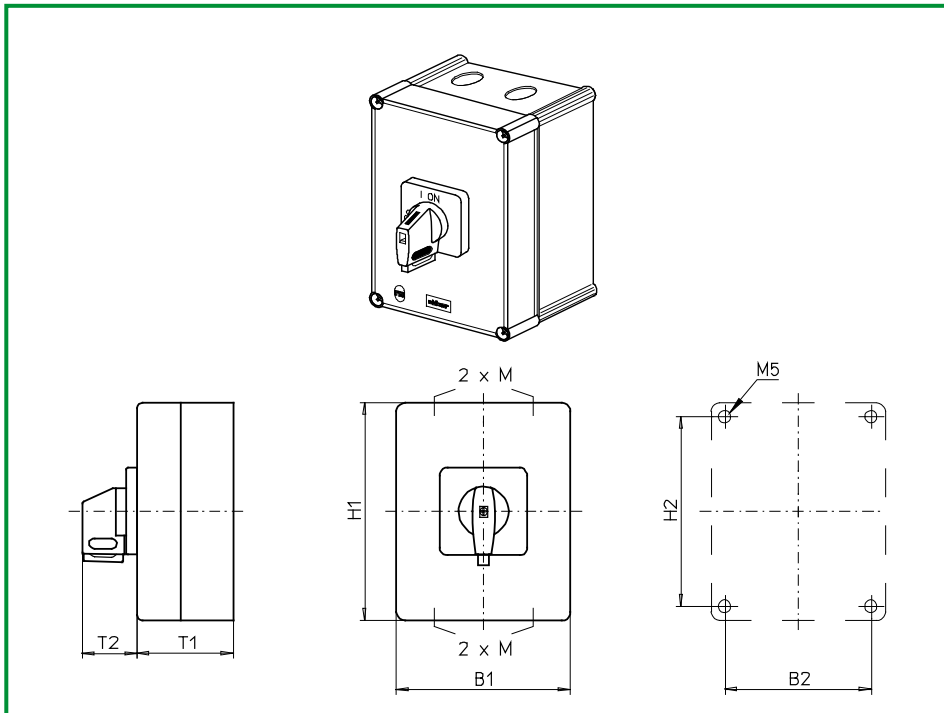
with PE terminal  
without N terminal

**772M1** (IP66)

| Complete switch                             | Poles     | Product lines | Rated data (IEC 60947)                   |                               |            | Order code number              |           |
|---|-----------|---------------|--|-------------------------------|------------|--------------------------------|-----------|
|   |           |               | Operational current I <sub>e</sub>       | Operational power at 380–440V |            |                                |           |
|   |           |               | AC-21A<br>A                              | AC-23A<br>kW                  | AC-3<br>kW |                                |           |
| Changeover with OFF<br>Switching angle 90°  | 3 ... 4   | H200-E        | 20                                       | 5,5                           | 3,7        | <b>H216 - 71 ... - 772M1</b>   |           |
|   |           |               | 25                                       | 7,5                           | 5,5        | <b>H220 - 71 ... - 772M1</b>   |           |
|   |           |               | 32                                       | 11                            | 7,5        | <b>H226 - 71 ... - 772M1</b>   |           |
|   |           |               | 40                                       | 15                            | 11         | <b>H233 - 71 ... - 772M1</b>   |           |
| Realisable switching programmes:            |           |               |  |                               |            |                                |           |
| 3 pole                                      |           |               | 71300, 71301, 71302, 71310, 71311, 71312 |                               |            |                                |           |
|   |           |               | 71320, 71321, 71322                      |                               |            |                                |           |
| 4 pole                                      |           |               | 71400                                    |                               |            |                                |           |
| <b>SMD modules for basic switch A02</b>     |           |               |  |                               |            |                                |           |
| Mounting form module for 772M1              |           |               | H200-E                                   |                               |            | <b>BFB2 - E8</b>               |           |
| Enclosure module, mounting form 772M1       |           |               |  |                               |            | <b>PAH2 - 772M1</b>            |           |
| Legend plate silver, enclosure module 772M1 |           |               |  |                               |            | <b>FAS4 - 9...</b> (FA number) |           |
| <b>Dimensions (mm)</b>                      |           |               |  |                               |            |                                |           |
| <b>Product line</b>                         | <b>H1</b> | <b>B1</b>     | <b>T1</b>                                | <b>T2</b>                     | <b>2xM</b> | <b>H2</b>                      | <b>B2</b> |
| H200-D                                      | 280       | 190           | 130                                      | 39                            | 40x1,5     | 254                            | 164       |

# Enclosed Switches

# sälzer



**Product line**  
**H200-E**

**Insulated enclosure**  
**Polycarbonate**  
280 × 190 × 130 mm

with cover interlock  
in ON position

**Cable entries**  
4 × with screw thread  
M40x1,5

with PE terminal  
without N terminal

**772V1** (IP66)

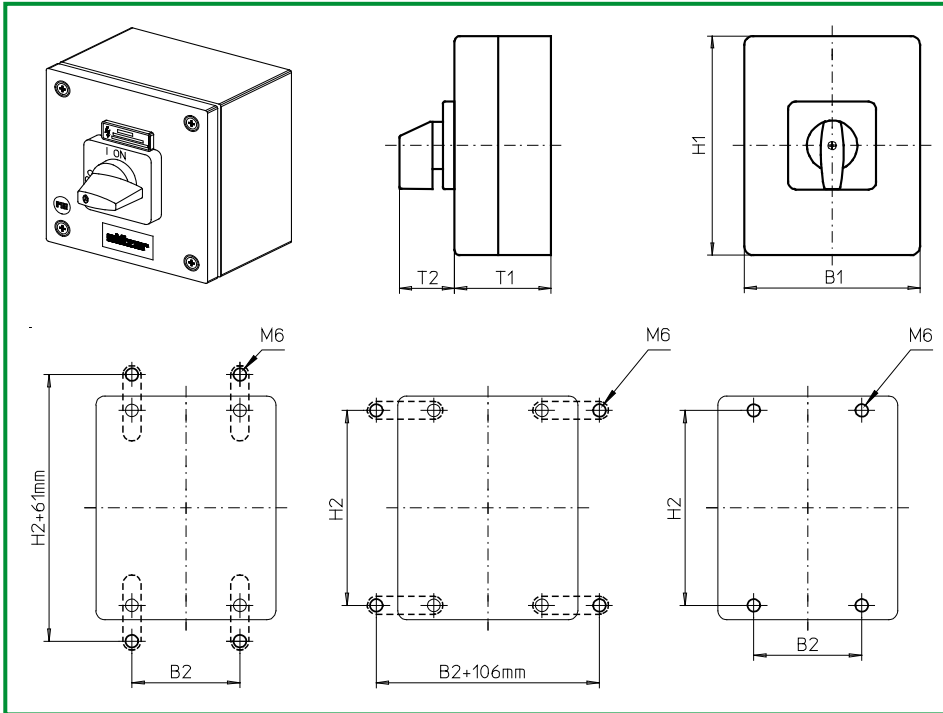
**773V1** (IP66)

| Complete switch  | Poles   | Product lines | Rated data (IEC 60947)    |              |                               | Order code number            |
|--|---|---------------|---------------------------|--------------|-------------------------------|------------------------------|
|  |   |               | Operational current $I_e$ |              | Operational power at 380–440V |                              |
|  |   |               | AC-21A<br>A               | AC-23A<br>kW | AC-3<br>kW                    |                              |
| Changeover with OFF<br>Switching angle 90°<br>OFF position padlockable 12h             | 3 ... 4   | H200-E        | 20                        | 5,5          | 3,7                           | <b>H216 - 71 ... - 772V1</b> |
|  |   |               | 25                        | 7,5          | 5,5                           | <b>H220 - 71 ... - 772V1</b> |
|  |   |               | 32                        | 11           | 7,5                           | <b>H226 - 71 ... - 772V1</b> |
|  |   |               | 40                        | 15           | 11                            | <b>H233 - 71 ... - 772V1</b> |
| Changeover with OFF<br>Switching angle 90°<br>3 positions padlockable<br>(09h/12h/03h) | 3 ... 4   | H200-E        | 20                        | 5,5          | 3,7                           | <b>H216 - 71 ... - 773V1</b> |
|  |   |               | 25                        | 7,5          | 5,5                           | <b>H220 - 71 ... - 773V1</b> |
|  |   |               | 32                        | 11           | 7,5                           | <b>H226 - 71 ... - 773V1</b> |
|  |   |               | 40                        | 15           | 11                            | <b>H233 - 71 ... - 773V1</b> |
| Realisable switching programmes:   |   |               |                           |              |                               |                              |
| 3 pole   | 71300, 71301, 71302, 71310, 71311, 71312<br>71320, 71321, 71322 |               |                           |              |                               |                              |
| 4 pole   | 71400   |               |                           |              |                               |                              |

| SMD modules for basic switch A02                  |        |                                |
|---|--------|--------------------------------|
| Mounting form module for 772V1/773V1              | H200-E | <b>BFB2 - E8</b>               |
| Enclosure module, mounting form 772V1             |        | <b>PAH2 - 772V1</b>            |
| Enclosure module, mounting form 773V1             |        | <b>PAH2 - 773V1</b>            |
| Legend plate silver, enclosure module 772V1/773V1 |        | <b>FAS4 - 9...</b> (FA number) |

| Dimensions (mm) |     |     |     |    |        |     |     |
|-----------------|-----|-----|-----|----|--------|-----|-----|
| Product line    | H1  | B1  | T1  | T2 | 2xM    | H2  | B2  |
| H200-D          | 280 | 190 | 130 | 39 | 40x1,5 | 254 | 164 |

# Enclosed Switches



**Product line  
H200-A**

**Enclosed switch**

**Mild steel enclosure**  
150 x 150 x 120 mm

with cover interlock  
in ON position

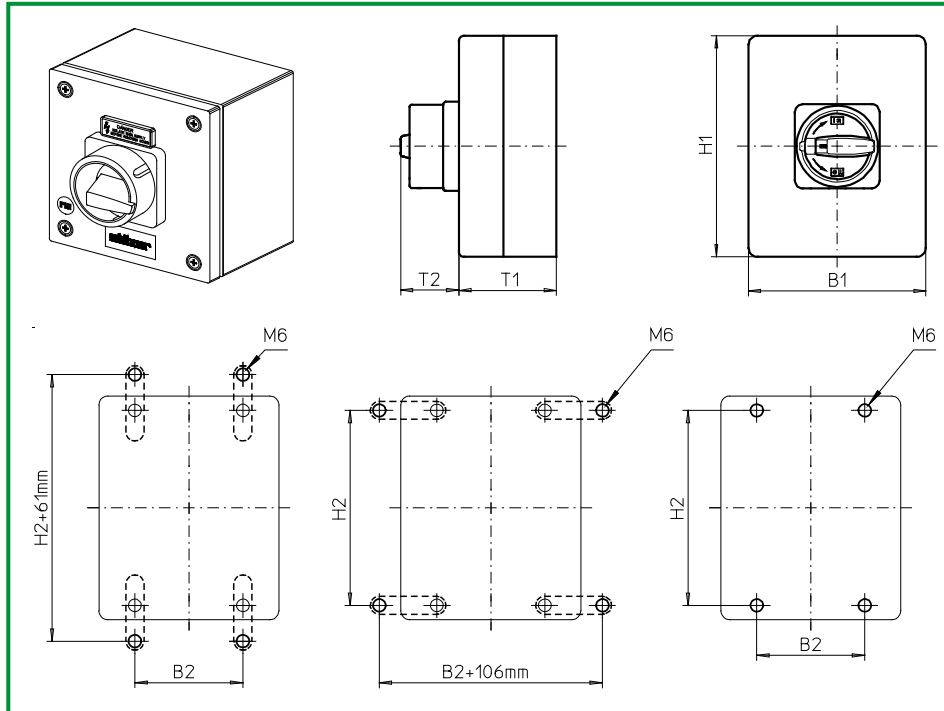
with N/PE connection link

**086M1 (IP66)**

| Complete switch   | Poles     | Product lines | Rated data (IEC 60947)             |                               |                   | Order code number  |
|---|-----------|---------------|------------------------------------|-------------------------------|-------------------|--|
|   |           |               | Operational current I <sub>e</sub> | Operational power at 380–440V |                   |  |
|   |           |               | AC-21A<br>A                        | AC-23A<br>kW                  | AC-3<br>kW        |  |
| ON-OFF Switches<br>Switching angle 90°                    | 3 ... 4   | H200-A        | 20<br>25<br>32                     | 5,5<br>7,5<br>11              | 3,7<br>5,5<br>7,5 | <b>H216 - 41 ... - 086M1</b><br><b>H220 - 41 ... - 086M1</b><br><b>H226 - 41 ... - 086M1</b> |
| <b>SMD modules for basic switch A02</b>                   |           |               |                                    |                               |                   |  |
| Mounting form module (switch module ED)                   |           |               |                                    | H200-A                        |                   | <b>BFA2 - ED</b>   |
| Enclosure module, mounting form 086M1                     |           |               |                                    | H200-A                        |                   | <b>SAH2 - 086M1</b>  |
| Legend plate silver, enclosure module 086M1               |           |               |                                    | H200-A                        |                   | <b>FAS4 - 9...</b> (FA number)   |
| <b>Accessories</b>  |           |               |                                    |                               |                   |  |
| <b>Mounting brackets</b> for enclosure modules SA (1 set) |           |               |                                    |                               |                   | <b>SAX1</b>  |
| <b>Dimensions (mm)</b>                                    |           |               |                                    |                               |                   |  |
| <b>Product line</b>                                       | <b>H1</b> | <b>B1</b>     | <b>T1</b>                          | <b>T2</b>                     | <b>H2</b>         | <b>B2</b>  |
| H200-A  | 150       | 150           | 120                                | 39                            | 132               | 85   |



# Enclosed Switches



**Product line**  
**H200-A**

**Enclosed switch**

**Mild steel enclosure**

150 x 150 x 120 mm

with cover interlock  
in ON position

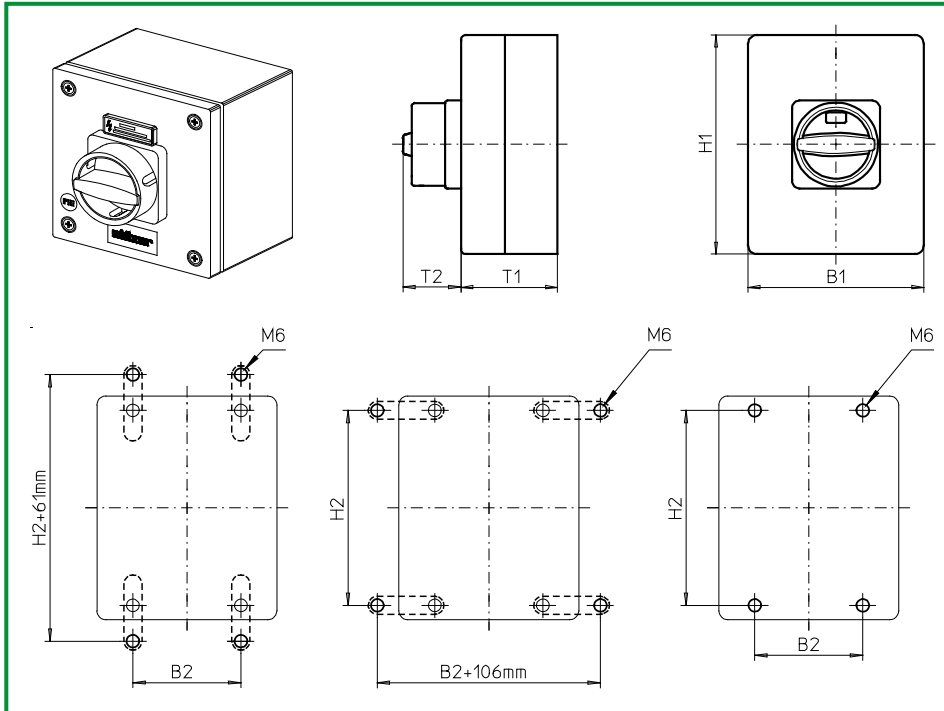
with N/PE connection link

**087M1 (IP66)**

**087M4 (IP66)**

| Complete switch   | Poles     | Product lines | Rated data (IEC 60947)             |                               |            | Order code number            |
|---|-----------|---------------|------------------------------------|-------------------------------|------------|------------------------------|
|   |           |               | Operational current I <sub>e</sub> | Operational power at 380–440V |            |                              |
|   |           |               | AC-21A<br>A                        | AC-23A<br>kW                  | AC-3<br>kW |                              |
| Main Switches<br>OFF position padlockable 09h               | 3 ... 4   | H200-A        | 20                                 | 5,5                           | 3,7        | <b>H216 - 41 ... - 087M1</b> |
|   |           |               | 25                                 | 7,5                           | 5,5        | <b>H220 - 41 ... - 087M1</b> |
|   |           |               | 32                                 | 11                            | 7,5        | <b>H226 - 41 ... - 087M1</b> |
| Main/Emergency-Off Switches<br>OFF position padlockable 09h | 3 ... 4   | H200-A        | 20                                 | 5,5                           | 3,7        | <b>H216 - 41 ... - 087M4</b> |
|   |           |               | 25                                 | 7,5                           | 5,5        | <b>H220 - 41 ... - 087M4</b> |
|   |           |               | 32                                 | 11                            | 7,5        | <b>H226 - 41 ... - 087M4</b> |
| <b>SMD modules for basic switch A02</b>                     |           |               |                                    |                               |            |                              |
| Mounting form module (switch module ED)                     |           |               | H200-A                             |                               |            | <b>BFA2 - ED</b>             |
| Enclosure module, mounting form 087M1                       |           |               | H200-A                             |                               |            | <b>SAH2 - 087M1</b>          |
| Enclosure module, mounting form 087M4                       |           |               | H200-A                             |                               |            | <b>SAH2 - 087M4</b>          |
| <b>Accessories</b>  |           |               |                                    |                               |            |                              |
| Mounting brackets for enclosure modules SA (1 set)          |           |               |                                    |                               |            | <b>SAX1</b>                  |
| <b>Dimensions (mm)</b>                                      |           |               |                                    |                               |            |                              |
| <b>Product line</b>   | <b>H1</b> | <b>B1</b>     | <b>T1</b>                          | <b>T2</b>                     | <b>H2</b>  | <b>B2</b>                    |
| H200-A  | 150       | 150           | 120                                | 38                            | 132        | 85                           |

# Enclosed Switches



**Product line**  
**H200-A**

**Enclosed switch**

**Mild steel enclosure**  
150 x 150 x 120 mm

with cover interlock  
in ON position

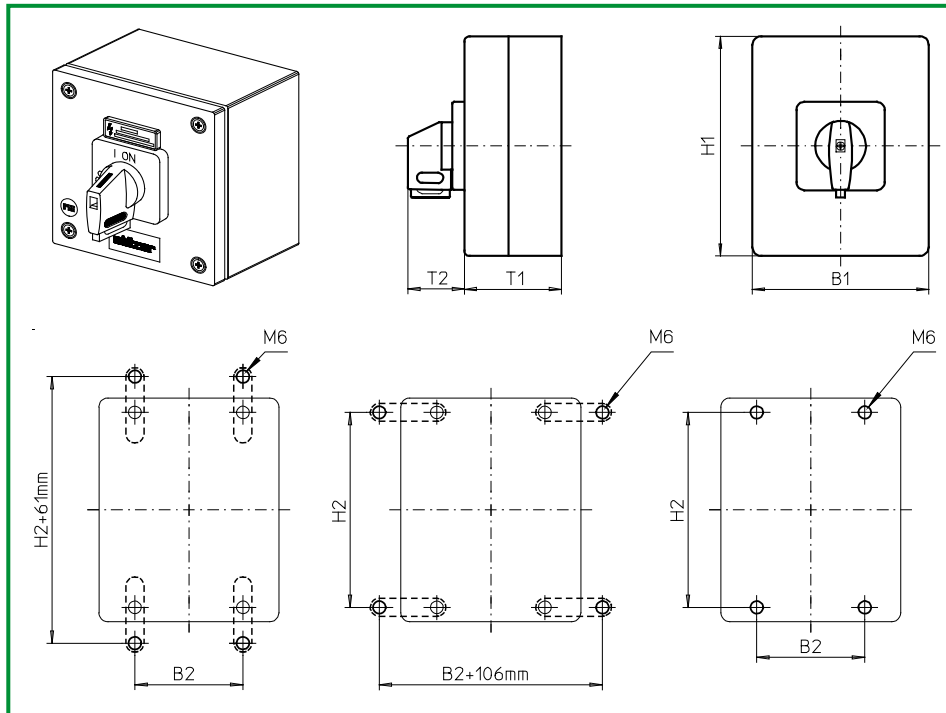
with N/PE connection link

**087N1** (IP66)

**087N4** (IP66)

| Complete switch   | Poles     | Product lines | Rated data (IEC 60947)             |                               |            | Order code number            |
|---|-----------|---------------|------------------------------------|-------------------------------|------------|------------------------------|
|   |           |               | Operational current I <sub>e</sub> | Operational power at 380–440V |            |                              |
|   |           |               | AC-21A<br>A                        | AC-23A<br>kW                  | AC-3<br>kW |                              |
| Main Switches<br>OFF position padlockable 12h               | 3 ... 4   | H200-A        | 20                                 | 5,5                           | 3,7        | <b>H216 - 41 ... - 087N1</b> |
|   |           |               | 25                                 | 7,5                           | 5,5        | <b>H220 - 41 ... - 087N1</b> |
|   |           |               | 32                                 | 11                            | 7,5        | <b>H226 - 41 ... - 087N1</b> |
| Main/Emergency-Off Switches<br>OFF position padlockable 12h | 3 ... 4   | H200-A        | 20                                 | 5,5                           | 3,7        | <b>H216 - 41 ... - 087N4</b> |
|   |           |               | 25                                 | 7,5                           | 5,5        | <b>H220 - 41 ... - 087N4</b> |
|   |           |               | 32                                 | 11                            | 7,5        | <b>H226 - 41 ... - 087N4</b> |
| <b>SMD modules for basic switch A02</b>                     |           |               |                                    |                               |            |                              |
| Mounting form module (switch module ED)                     |           |               | H200-A                             |                               |            | <b>BFA2 - ED</b>             |
| Enclosure module, mounting form 087N1                       |           |               | H200-A                             |                               |            | <b>SAH2 - 087N1</b>          |
| Enclosure module, mounting form 087N4                       |           |               | H200-A                             |                               |            | <b>SAH2 - 087N4</b>          |
| <b>Accessories</b>  |           |               |                                    |                               |            |                              |
| <b>Mounting brackets</b> for enclosure modules SA (1 set)   |           |               |                                    |                               |            | <b>SAX1</b>                  |
| <b>Dimensions (mm)</b>                                      |           |               |                                    |                               |            |                              |
| <b>Product line</b>   | <b>H1</b> | <b>B1</b>     | <b>T1</b>                          | <b>T2</b>                     | <b>H2</b>  | <b>B2</b>                    |
| H200-A  | 150       | 150           | 120                                | 33                            | 132        | 85                           |

# Enclosed Switches



**Product line**  
**H200-A**

**Enclosed switch**

**Mild steel enclosure**

150 × 150 × 120 mm

with cover interlock  
in ON position

with N/PE connection link

**087V1** (IP66)

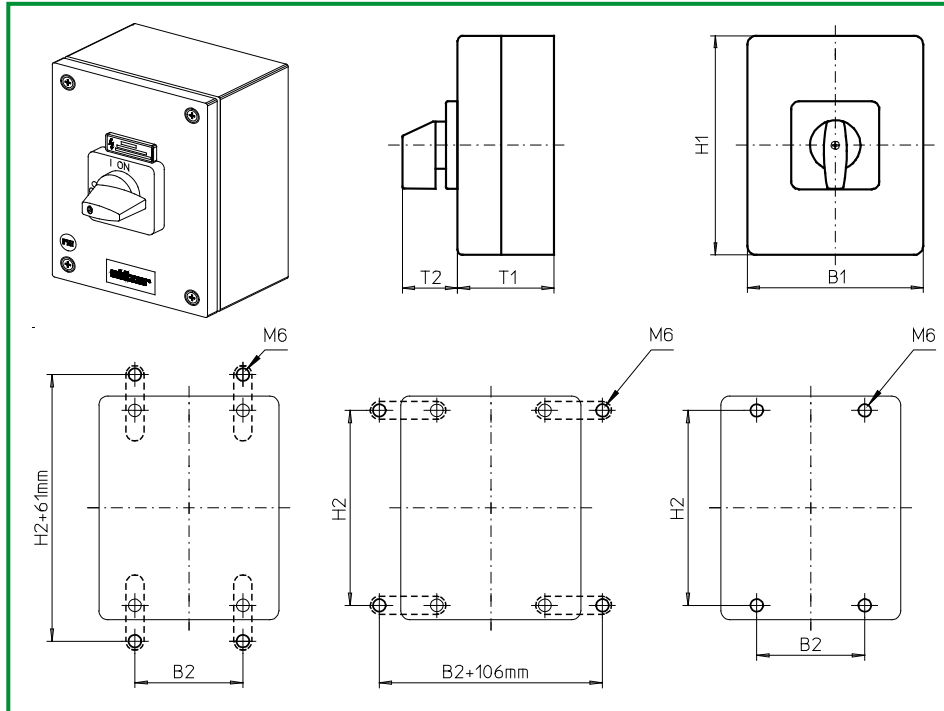
**087V4** (IP66)

| Complete switch   | Poles   | Product lines | Rated data (IEC 60947)    |                               |            | Order code number            |
|---|---------|---------------|---------------------------|-------------------------------|------------|------------------------------|
|   |         |               | Operational current $I_e$ | Operational power at 380–440V |            |                              |
|   |         |               | AC-21A<br>A               | AC-23A<br>kW                  | AC-3<br>kW |                              |
| Main Switches<br>OFF position padlockable 09h               | 3 ... 4 | H200-A        | 20                        | 5,5                           | 3,7        | <b>H216 - 41 ... - 087V1</b> |
|   |         |               | 25                        | 7,5                           | 5,5        | <b>H220 - 41 ... - 087V1</b> |
|   |         |               | 32                        | 11                            | 7,5        | <b>H226 - 41 ... - 087V1</b> |
| Main/Emergency-Off Switches<br>OFF position padlockable 09h | 3 ... 4 | H200-A        | 20                        | 5,5                           | 3,7        | <b>H216 - 41 ... - 087V4</b> |
|   |         |               | 25                        | 7,5                           | 5,5        | <b>H220 - 41 ... - 087V4</b> |
|   |         |               | 32                        | 11                            | 7,5        | <b>H226 - 41 ... - 087V4</b> |

| SMD modules for basic switch A02   |        |                                |
|--|--------|--------------------------------|
| Mounting form module (switch module ED)                                  | H200-A | <b>BFA2 - ED</b>               |
| Enclosure module, mounting form 087V1                                    | H200-A | <b>SAH2 - 087V1</b>            |
| Enclosure module, mounting form 087V4                                    | H200-A | <b>SAH2 - 087V4</b>            |
| Legend plate silver, enclosure module 087V1                              | H200-A | <b>FAS4 - 9...</b> (FA number) |
| Legend plate yellow, enclosure module 087V4                              | H200-A | <b>FBS4 - 9...</b> (FA number) |
| <b>Accessories</b><br>Mounting brackets for enclosure modules SA (1 set) |        | <b>SAX1</b>                    |

| Dimensions (mm) |     |     |     |    |     |    |  |
|-----------------|-----|-----|-----|----|-----|----|--|
| Product line    | H1  | B1  | T1  | T2 | H2  | B2 |  |
| H200-A          | 150 | 150 | 120 | 39 | 132 | 85 |  |

# Enclosed Switches



**Product lines**  
**H200-A/-D**

**Enclosed switch**

**Mild steel enclosure**  
200 x 150 x 120 mm

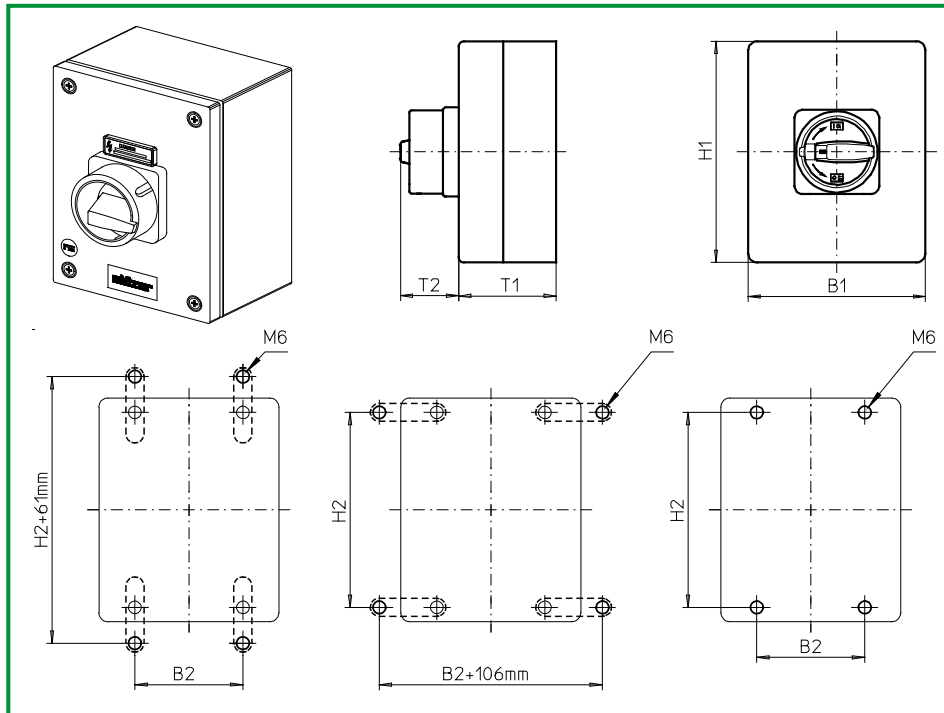
with cover interlock  
in ON position

with N/PE connection link

**186M1** (IP66)

| Complete switch   | Poles     | Product lines | Rated data (IEC 60947)             |                               |                         | Order code number  |
|---|-----------|---------------|------------------------------------|-------------------------------|-------------------------|--|
|   |           |               | Operational current I <sub>e</sub> | Operational power at 380–440V |                         |  |
|   |           |               | AC-21A<br>A                        | AC-23A<br>kW                  | AC-3<br>kW              |  |
| ON-OFF Switches<br>Switching angle 90°                    | 3 ... 8   | H200-A/-D     | 20<br>25<br>32<br>40               | 5,5<br>7,5<br>11<br>15        | 3,7<br>5,5<br>7,5<br>11 | <b>H216 - 41 ... - 186M1</b><br><b>H220 - 41 ... - 186M1</b><br><b>H226 - 41 ... - 186M1</b><br><b>H233 - 41 ... - 186M1</b> |
| <b>SMD modules for basic switch A02</b>                   |           |               |                                    |                               |                         |  |
| Mounting form module (switch module ED)                   |           |               | H200-A                             |                               |                         | <b>BFA2 - ED</b>   |
| Mounting form module (switch module ED)                   |           |               | H200-D                             |                               |                         | <b>BFC2 - ED</b>   |
| Enclosure module, mounting form 186M1                     |           |               | H200-A/-D                          |                               |                         | <b>SAH2 - 186M1</b>  |
| Legend plate silver, enclosure module 186M1               |           |               | H200-A/-D                          |                               |                         | <b>FAS4 - 9...</b> (FA number)   |
| <b>Accessories</b>  |           |               |                                    |                               |                         |  |
| <b>Mounting brackets</b> for enclosure modules SA (1 set) |           |               |                                    |                               |                         | <b>SAX1</b>  |
| <b>Dimensions (mm)</b>                                    |           |               |                                    |                               |                         |  |
| <b>Product lines</b>                                      | <b>H1</b> | <b>B1</b>     | <b>T1</b>                          | <b>T2</b>                     | <b>H2</b>               | <b>B2</b>  |
| H200-A  | 200       | 150           | 120                                | 39                            | 182                     | 85   |
| H200-D  | 200       | 150           | 120                                | 39                            | 182                     | 85   |

# Enclosed Switches



**Product lines**  
**H200-A/-D**

**Enclosed switch**

**Mild steel enclosure**  
200 x 150 x 120 mm

with cover interlock  
in ON position

with N/PE connection link

**187M1 (IP66)**

**187M4 (IP66)**

| Complete switch   | Poles   | Product lines | Rated data (IEC 60947)    |                               |            | Order code number            |
|---|---------|---------------|---------------------------|-------------------------------|------------|------------------------------|
|   |         |               | Operational current $I_e$ | Operational power at 380–440V |            |                              |
|   |         |               | AC-21A<br>A               | AC-23A<br>kW                  | AC-3<br>kW |                              |
| Main Switches<br>OFF position padlockable 09h               | 3 ... 8 | H200-A/-D     | 20                        | 5,5                           | 3,7        | <b>H216 - 41 ... - 187M1</b> |
|   |         |               | 25                        | 7,5                           | 5,5        | <b>H220 - 41 ... - 187M1</b> |
|   |         |               | 32                        | 11                            | 7,5        | <b>H226 - 41 ... - 187M1</b> |
|   |         |               | 40                        | 15                            | 11         | <b>H233 - 41 ... - 187M1</b> |
| Main/Emergency-Off Switches<br>OFF position padlockable 09h | 3 ... 8 | H200-A/-D     | 20                        | 5,5                           | 3,7        | <b>H216 - 41 ... - 187M4</b> |
|   |         |               | 25                        | 7,5                           | 5,5        | <b>H220 - 41 ... - 187M4</b> |
|   |         |               | 32                        | 11                            | 7,5        | <b>H226 - 41 ... - 187M4</b> |
|   |         |               | 40                        | 15                            | 11         | <b>H233 - 41 ... - 187M4</b> |

### SMD modules for basic switch A02

Mounting form module (switch module ED)  
Mounting form module (switch module ED)

H200-A  
H200-D

**BFA2 - ED**  
**BFC2 - ED**

Enclosure module, mounting form 187M1  
Enclosure module, mounting form 187M4

H200-A/-D  
H200-A/-D

**SAH2 - 187M1**  
**SAH2 - 187M4**

### Accessories

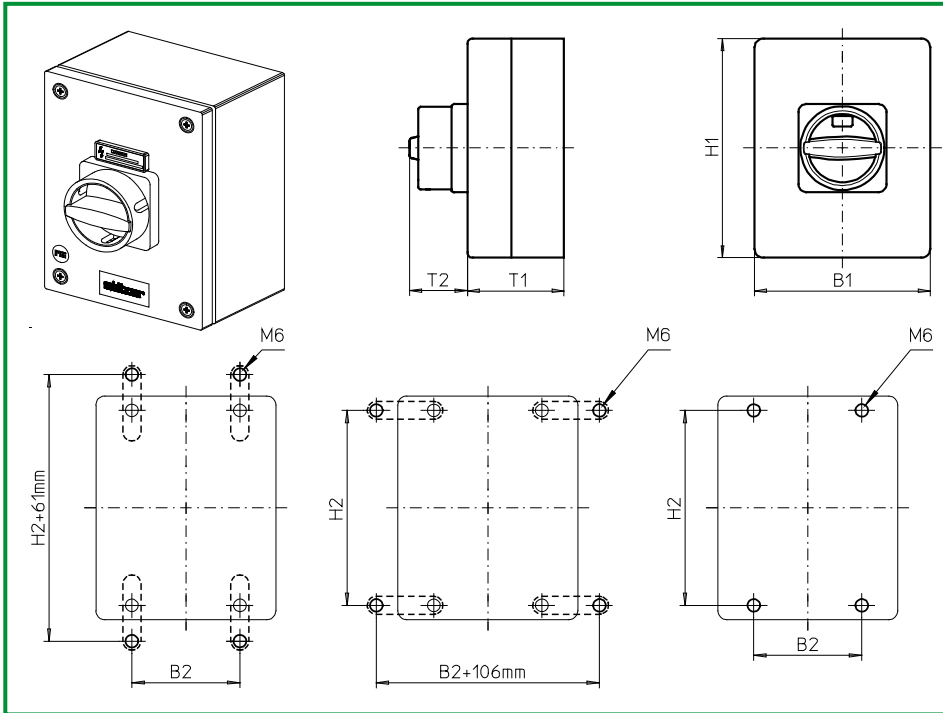
**Mounting brackets** for enclosure modules SA (1 set)

**SAX1**

### Dimensions (mm)

| Product lines | H1  | B1  | T1  | T2 | H2  | B2 |
|---------------|-----|-----|-----|----|-----|----|
| H200-A        | 200 | 150 | 120 | 38 | 182 | 85 |
| H200-D        | 200 | 150 | 120 | 38 | 182 | 85 |

# Enclosed Switches



**Product lines**  
**H200-A/-D**

**Enclosed switch**

**Mild steel enclosure**  
200 x 150 x 120 mm

with cover interlock  
in ON position

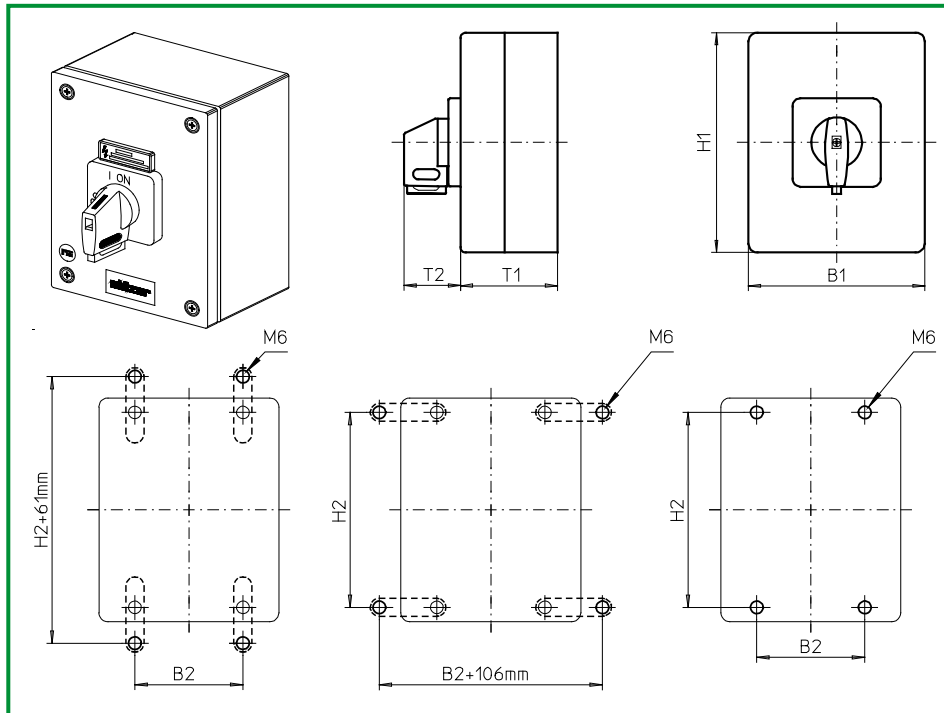
with N/PE connection link

**187N1** (IP66)

**187N4** (IP66)

| Complete switch   | Poles     | Product lines | Rated data (IEC 60947)    |                               |            | Order code number            |
|---|-----------|---------------|---------------------------|-------------------------------|------------|------------------------------|
|   |           |               | Operational current $I_e$ | Operational power at 380–440V |            |                              |
|   |           |               | AC-21A<br>A               | AC-23A<br>kW                  | AC-3<br>kW |                              |
| Main Switches<br>OFF position padlockable 12h               | 3 ... 8   | H200-A/-D     | 20                        | 5,5                           | 3,7        | <b>H216 - 41 ... - 187N1</b> |
|   |           |               | 25                        | 7,5                           | 5,5        | <b>H220 - 41 ... - 187N1</b> |
|   |           |               | 32                        | 11                            | 7,5        | <b>H226 - 41 ... - 187N1</b> |
|   |           |               | 40                        | 15                            | 11         | <b>H233 - 41 ... - 187N1</b> |
| Main/Emergency-Off Switches<br>OFF position padlockable 12h | 3 ... 8   | H200-A/-D     | 20                        | 5,5                           | 3,7        | <b>H216 - 41 ... - 187N4</b> |
|   |           |               | 25                        | 7,5                           | 5,5        | <b>H220 - 41 ... - 187N4</b> |
|   |           |               | 32                        | 11                            | 7,5        | <b>H226 - 41 ... - 187N4</b> |
|   |           |               | 40                        | 15                            | 11         | <b>H233 - 41 ... - 187N4</b> |
| <b>SMD modules for basic switch A02</b>                     |           |               |                           |                               |            |                              |
| Mounting form module (switch module ED)                     |           |               | H200-A                    |                               |            | <b>BFA2 - ED</b>             |
| Mounting form module (switch module ED)                     |           |               | H200-D                    |                               |            | <b>BFC2 - ED</b>             |
| Enclosure module, mounting form 187N1                       |           |               | H200-A/-D                 |                               |            | <b>SAH2 - 187N1</b>          |
| Enclosure module, mounting form 187N4                       |           |               | H200-A/-D                 |                               |            | <b>SAH2 - 187N4</b>          |
| <b>Accessories</b>  |           |               |                           |                               |            |                              |
| <b>Mounting brackets</b> for enclosure modules SA (1 set)   |           |               |                           |                               |            | <b>SAX1</b>                  |
| <b>Dimensions (mm)</b>                                      |           |               |                           |                               |            |                              |
| <b>Product lines</b>  | <b>H1</b> | <b>B1</b>     | <b>T1</b>                 | <b>T2</b>                     | <b>H2</b>  | <b>B2</b>                    |
| H200-A  | 200       | 150           | 120                       | 33                            | 182        | 85                           |
| H200-D  | 200       | 150           | 120                       | 33                            | 182        | 85                           |

# Enclosed Switches



**Product lines**  
**H200-A/-D**

**Enclosed switch**

**Mild steel enclosure**  
200 × 150 × 120 mm

with cover interlock  
in ON position

with N/PE connection link

**187V1** (IP66)

**187V4** (IP66)

| Complete switch   | Poles   | Product lines | Rated data (IEC 60947)    |                               |            | Order code number            |
|---|---------|---------------|---------------------------|-------------------------------|------------|------------------------------|
|   |         |               | Operational current $I_e$ | Operational power at 380–440V |            |                              |
|   |         |               | AC-21A<br>A               | AC-23A<br>kW                  | AC-3<br>kW |                              |
| Main Switches<br>OFF position padlockable 09h               | 3 ... 8 | H200-A/-D     | 20                        | 5,5                           | 3,7        | <b>H216 - 41 ... - 187V1</b> |
|   |         |               | 25                        | 7,5                           | 5,5        | <b>H220 - 41 ... - 187V1</b> |
|   |         |               | 32                        | 11                            | 7,5        | <b>H226 - 41 ... - 187V1</b> |
|   |         |               | 40                        | 15                            | 11         | <b>H233 - 41 ... - 187V1</b> |
| Main/Emergency-Off Switches<br>OFF position padlockable 09h | 3 ... 8 | H200-A/-D     | 20                        | 5,5                           | 3,7        | <b>H216 - 41 ... - 187V4</b> |
|   |         |               | 25                        | 7,5                           | 5,5        | <b>H220 - 41 ... - 187V4</b> |
|   |         |               | 32                        | 11                            | 7,5        | <b>H226 - 41 ... - 187V4</b> |
|   |         |               | 40                        | 15                            | 11         | <b>H233 - 41 ... - 187V4</b> |

### SMD modules for basic switch A02

Mounting form module (switch module ED)  
Mounting form module (switch module ED)

H200-A  
H200-D  
H200-A/-D  
H200-A/-D  
H200-A/-D  
H200-A/-D

**BFA2 - ED**  
**BFC2 - ED**

Enclosure module, mounting form 187V1  
Enclosure module, mounting form 187V4

**SAH2 - 187V1**  
**SAH2 - 187V4**

Legend plate silver, enclosure module 187V1  
Legend plate yellow, enclosure module 187V4

**FAS4 - 9...** (FA number)  
**FBS4 - 9...** (FA number)

### Accessories

**Mounting brackets** for enclosure modules SA (1 set)

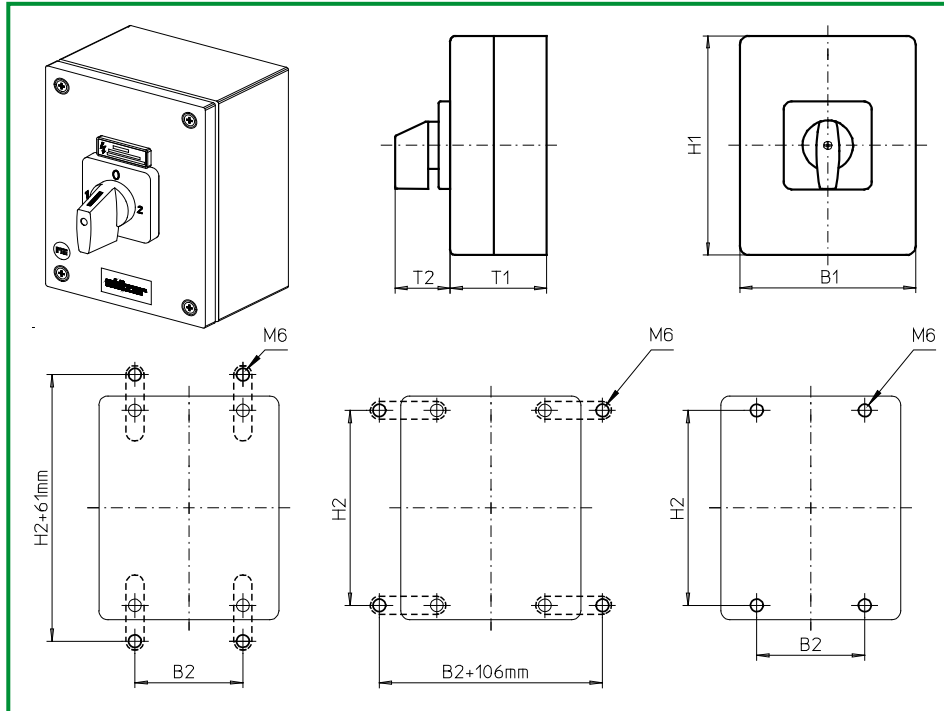
**SAX1**

### Dimensions (mm)

| Product lines | H1  | B1  | T1  | T2 | H2  | B2 |
|---------------|-----|-----|-----|----|-----|----|
| H200-A        | 200 | 150 | 120 | 39 | 182 | 85 |
| H200-D        | 200 | 150 | 120 | 39 | 182 | 85 |

# Enclosed Switches

**sälzer**



**Product line  
H200-E**

**Enclosed switch**

**Mild steel enclosure**  
200 × 150 × 120 mm

with cover interlock  
in ON position

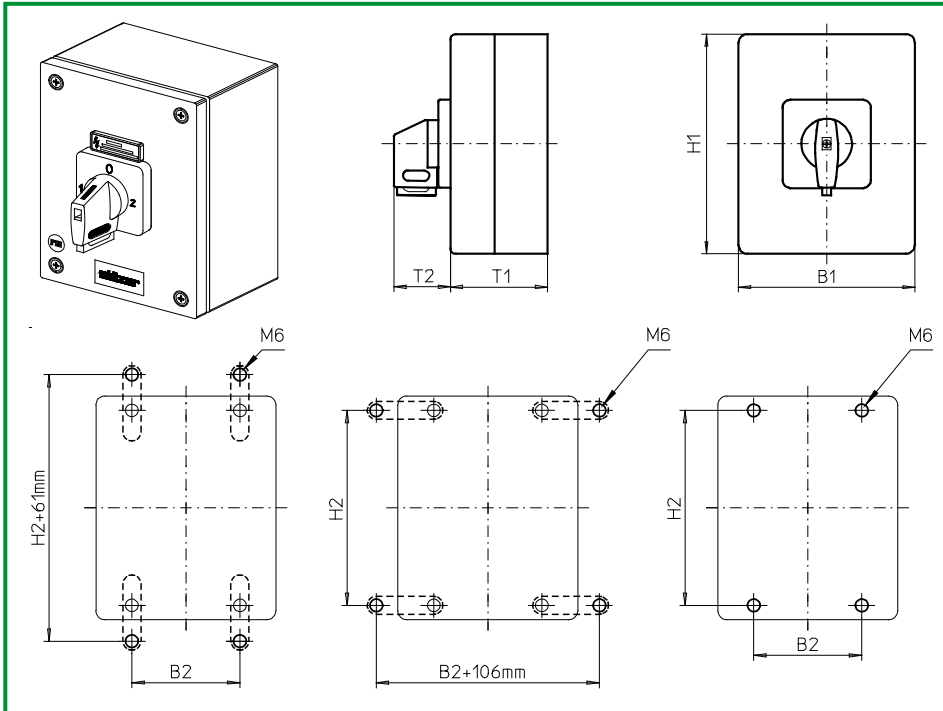
with N/PE connection link

**188M1 (IP66)**

| Complete switch   | Poles     | Product lines | Rated data (IEC 60947)    |                               |            | Order code number              |
|---|-----------|---------------|---------------------------|-------------------------------|------------|--------------------------------|
|   |           |               | Operational current $I_e$ | Operational power at 380–440V |            |                                |
|   |           |               | AC-21A<br>A               | AC-23A<br>kW                  | AC-3<br>kW |                                |
| Changeover with OFF<br>Switching angle 90°                | 3 ... 4   | H200-E        | 20                        | 5,5                           | 3,7        | <b>H216 - 71 ... - 188M1</b>   |
|   |           |               | 25                        | 7,5                           | 5,5        | <b>H220 - 71 ... - 188M1</b>   |
|   |           |               | 32                        | 11                            | 7,5        | <b>H226 - 71 ... - 188M1</b>   |
|   |           |               | 40                        | 15                            | 11         | <b>H233 - 71 ... - 188M1</b>   |
| <b>SMD modules for basic switch A02</b>                   |           |               |                           |                               |            |                                |
| Mounting form module (switch module ED)                   |           |               | H200-E                    |                               |            | <b>BFB2 - ED</b>               |
| Enclosure module, mounting form 188M1                     |           |               | H200-E                    |                               |            | <b>SAH2 - 188M1</b>            |
| Legend plate silver, enclosure module 188M1               |           |               | H200-E                    |                               |            | <b>FAS4 - 9... (FA number)</b> |
| <b>Accessories</b>  |           |               |                           |                               |            |                                |
| <b>Mounting brackets</b> for enclosure modules SA (1 set) |           |               |                           |                               |            | <b>SAX1</b>                    |
| <b>Dimensions (mm)</b>                                    |           |               |                           |                               |            |                                |
| <b>Product line</b>                                       | <b>H1</b> | <b>B1</b>     | <b>T1</b>                 | <b>T2</b>                     | <b>H2</b>  | <b>B2</b>                      |
| H200-E  | 200       | 150           | 120                       | 39                            | 182        | 85                             |



# Enclosed Switches



**Product line**  
**H200-E**

**Enclosed switch**

**Mild steel enclosure**  
200 × 150 × 120 mm

with cover interlock  
in ON position

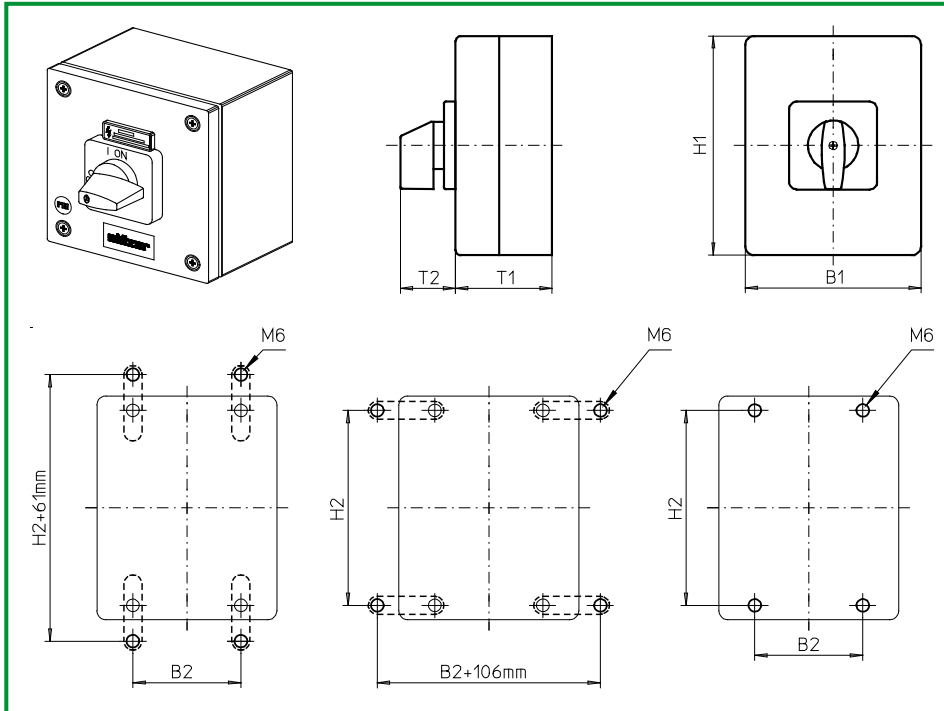
with N/PE connection link

**186V1** (IP66)

**188V1** (IP66)

| Complete switch  | Poles     | Product lines | Rated data (IEC 60947)    |                               |            | Order code number              |
|--|-----------|---------------|---------------------------|-------------------------------|------------|--------------------------------|
|  |           |               | Operational current $I_e$ | Operational power at 380–440V |            |                                |
|  |           |               | AC-21A<br>A               | AC-23A<br>kW                  | AC-3<br>kW |                                |
| Changeover with OFF<br>Switching angle 90°<br>OFF position padlockable 12h             | 3 ... 4   | H200-E        | 20                        | 5,5                           | 3,7        | <b>H216 - 71 ... - 186V1</b>   |
|  |           |               | 25                        | 7,5                           | 5,5        | <b>H220 - 71 ... - 186V1</b>   |
|  |           |               | 32                        | 11                            | 7,5        | <b>H226 - 71 ... - 186V1</b>   |
|  |           |               | 40                        | 15                            | 11         | <b>H233 - 71 ... - 186V1</b>   |
| Changeover with OFF<br>Switching angle 90°<br>3 positions padlockable<br>(09h/12h/03h) | 3 ... 4   | H200-E        | 20                        | 5,5                           | 3,7        | <b>H216 - 71 ... - 188V1</b>   |
|  |           |               | 25                        | 7,5                           | 5,5        | <b>H220 - 71 ... - 188V1</b>   |
|  |           |               | 32                        | 11                            | 7,5        | <b>H226 - 71 ... - 188V1</b>   |
|  |           |               | 40                        | 15                            | 11         | <b>H233 - 71 ... - 188V1</b>   |
| <b>SMD modules for basic switch A02</b>  |           |               |                           |                               |            |                                |
| Mounting form module (switch module ED)  |           |               | H200-E                    |                               |            | <b>BFB2 - ED</b>               |
| Enclosure module, mounting form 186V1  |           |               | H200-E                    |                               |            | <b>SAH2 - 186V1</b>            |
| Enclosure module, mounting form 188V1  |           |               | H200-E                    |                               |            | <b>SAH2 - 188V1</b>            |
| Legend plate silver, enclosure module 186V1/188V1                                      |           |               | H200-E                    |                               |            | <b>FAS4 - 9...</b> (FA number) |
| <b>Accessories</b>   |           |               |                           |                               |            |                                |
| <b>Mounting brackets</b> for enclosure modules SA (1 set)                              |           |               |                           |                               |            | <b>SAX1</b>                    |
| <b>Dimensions (mm)</b>   |           |               |                           |                               |            |                                |
| <b>Product line</b>  | <b>H1</b> | <b>B1</b>     | <b>T1</b>                 | <b>T2</b>                     | <b>H2</b>  | <b>B2</b>                      |
| H200-E   | 200       | 150           | 120                       | 39                            | 182        | 85                             |

# Enclosed Switches



**Product line  
H200-A**

**Enclosed switch**

**Mild steel enclosure  
powder coated**

150 x 150 x 120 mm

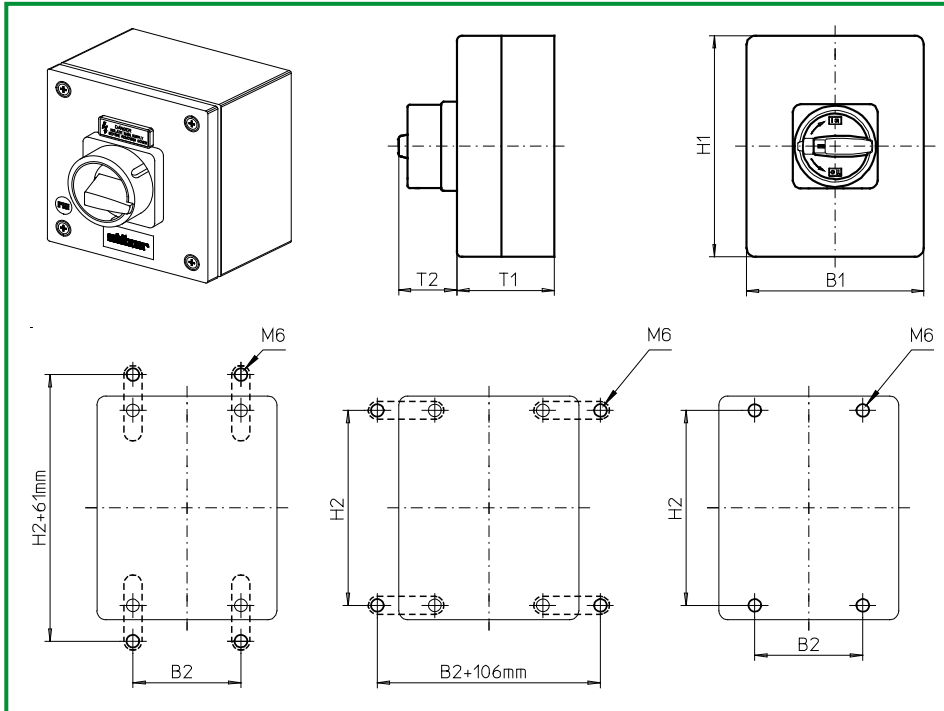
with cover interlock  
in ON position

with PE connection link  
without N connection link

**586M1 (IP66)**

| Complete switch   | Poles     | Product lines | Rated data (IEC 60947)             |                               |            | Order code number              |
|---|-----------|---------------|------------------------------------|-------------------------------|------------|--------------------------------|
|   |           |               | Operational current I <sub>e</sub> | Operational power at 380–440V |            |                                |
|   |           |               | AC-21A<br>A                        | AC-23A<br>kW                  | AC-3<br>kW |                                |
| ON-OFF Switches<br>Switching angle 90°  | 3 ... 4   | H200-A        | 20                                 | 5,5                           | 3,7        | <b>H216 - 41 ... - 586M1</b>   |
|   |           |               | 25                                 | 7,5                           | 5,5        | <b>H220 - 41 ... - 586M1</b>   |
|   |           |               | 32                                 | 11                            | 7,5        | <b>H226 - 41 ... - 586M1</b>   |
| <p>Realisable switching programmes:<br/>                 2 pole      41200, 41211, 41220<br/>                 4 pole      41400, 41411, 41420</p> |           |               |                                    |                               |            |                                |
| <b>SMD modules for basic switch A02</b>   |           |               |                                    |                               |            |                                |
| Mounting form module (switch module ED)   |           |               | H200-A                             |                               |            | <b>BFA2 - ED</b>               |
| Enclosure module, mounting form 586M1   |           |               |                                    |                               |            | <b>SAH2 - 586M1</b>            |
| Legend plate silver, enclosure module 586M1   |           |               |                                    |                               |            | <b>FAS4 - 9...</b> (FA number) |
| <b>Mounting brackets</b> for enclosure modules SA (1 set)<br>(Please order separately – see accessories, page D5-1)                               |           |               |                                    |                               |            | <b>SAX1</b>                    |
| <b>Dimensions (mm)</b>  |           |               |                                    |                               |            |                                |
| <b>Product line</b>   | <b>H1</b> | <b>B1</b>     | <b>T1</b>                          | <b>T2</b>                     | <b>H2</b>  | <b>B2</b>                      |
| H200-A  | 150       | 150           | 120                                | 39                            | 132        | 85                             |

# Enclosed Switches



**Product line  
H200-A**

**Enclosed switch**

**Mild steel enclosure  
powder coated**

150 x 150 x 120 mm

with cover interlock  
in ON position

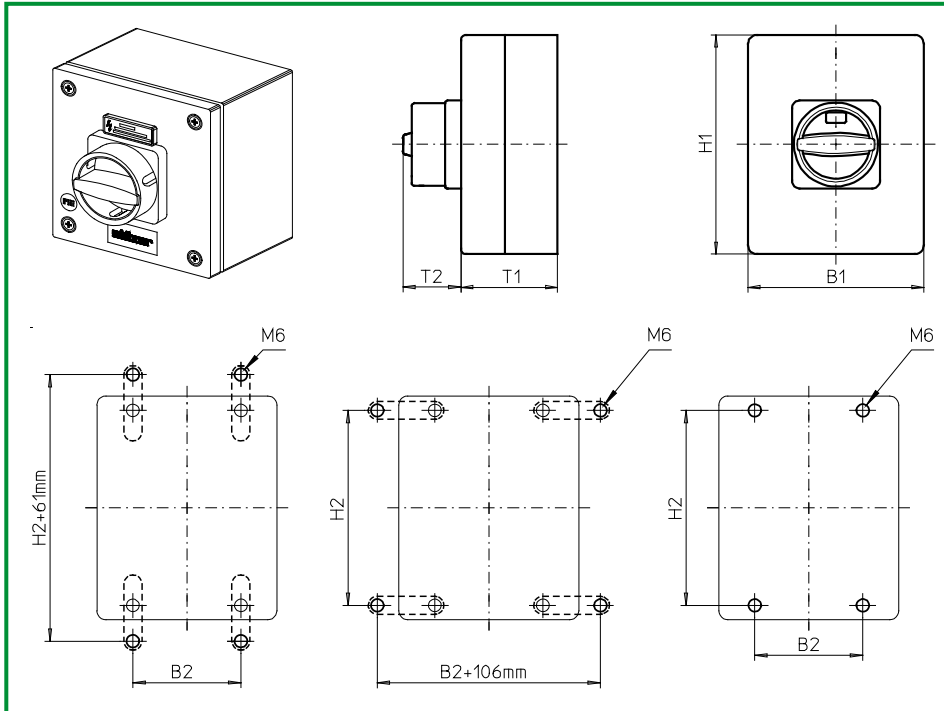
with PE connection link  
without N connection link

**587M1** (IP66)

**587M4** (IP66)

| Complete switch   | Poles               | Product lines | Rated data (IEC 60947)             |                               |              | Order code number            |
|---|---------------------|---------------|------------------------------------|-------------------------------|--------------|------------------------------|
|   |                     |               | Operational current I <sub>e</sub> | Operational power at 380–440V |              |                              |
|   |                     |               | AC-21A<br>A                        | AC-23A<br>kW                  | AC-3<br>kW   |                              |
| Main Switches<br>OFF position padlockable 09h   | 3 ... 4             | H200-A        | 20                                 | 5,5                           | 3,7          | <b>H216 - 41 ... - 587M1</b> |
|   |                     |               | 25                                 | 7,5                           | 5,5          | <b>H220 - 41 ... - 587M1</b> |
|   |                     |               | 32                                 | 11                            | 7,5          | <b>H226 - 41 ... - 587M1</b> |
| Main/Emergency-Off Switches<br>OFF position padlockable 09h   | 3 ... 4             | H200-A        | 20                                 | 5,5                           | 3,7          | <b>H216 - 41 ... - 587M4</b> |
|   |                     |               | 25                                 | 7,5                           | 5,5          | <b>H220 - 41 ... - 587M4</b> |
|   |                     |               | 32                                 | 11                            | 7,5          | <b>H226 - 41 ... - 587M4</b> |
| Realisable switching programmes:  |                     |               |                                    |                               |              |                              |
| 2 pole  | 41200, 41211, 41220 |               |                                    |                               |              |                              |
| 4 pole  | 41400, 41411, 41420 |               |                                    |                               |              |                              |
| <b>SMD modules for basic switch A02</b>   |                     |               |                                    |                               |              |                              |
| Mounting form module (switch module ED)   |                     |               | H200-A                             |                               | BFA2 - ED    |                              |
| Enclosure module, mounting form 587M1   |                     |               |                                    |                               | SAH2 - 587M1 |                              |
| Enclosure module, mounting form 587M4   |                     |               |                                    |                               | SAH2 - 587M4 |                              |
| <b>Mounting brackets</b> for enclosure modules SA (1 set)<br>(Please order separately – see accessories, page D5-1) |                     |               |                                    |                               | SAX1         |                              |
| <b>Dimensions (mm)</b>  |                     |               |                                    |                               |              |                              |
| <b>Product line</b>   | <b>H1</b>           | <b>B1</b>     | <b>T1</b>                          | <b>T2</b>                     | <b>H2</b>    | <b>B2</b>                    |
| H200-A  | 150                 | 150           | 120                                | 38                            | 132          | 85                           |

# Enclosed Switches



**Product line**  
**H200-A**

**Enclosed switch**

**Mild steel enclosure**  
**powder coated**

150 × 150 × 120 mm

with cover interlock  
in ON position

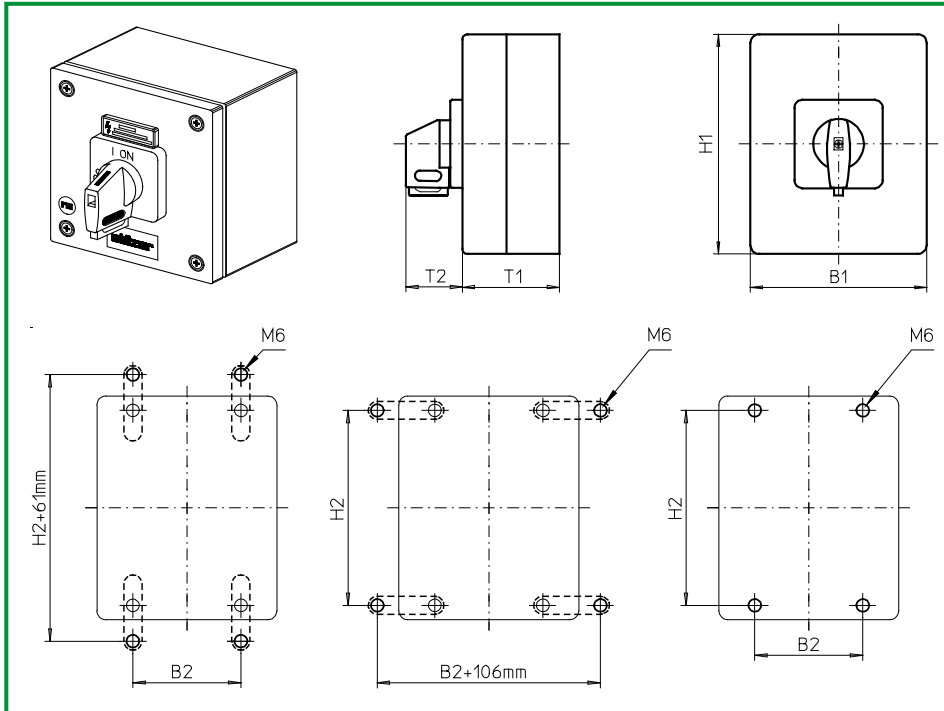
with PE connection link  
without N connection link

**587N1** (IP66)

**587N4** (IP66)

| Complete switch   | Poles               | Product lines | Rated data (IEC 60947)             |                               |                     | Order code number            |
|---|---------------------|---------------|------------------------------------|-------------------------------|---------------------|------------------------------|
|   |                     |               | Operational current I <sub>e</sub> | Operational power at 380–440V |                     |                              |
|   |                     |               | AC-21A<br>A                        | AC-23A<br>kW                  | AC-3<br>kW          |                              |
| Main Switches<br>OFF position padlockable 12h   | 3 ... 4             | H200-A        | 20                                 | 5,5                           | 3,7                 | <b>H216 - 41 ... - 587N1</b> |
|   |                     |               | 25                                 | 7,5                           | 5,5                 | <b>H220 - 41 ... - 587N1</b> |
|   |                     |               | 32                                 | 11                            | 7,5                 | <b>H226 - 41 ... - 587N1</b> |
| Main/Emergency-Off Switches<br>OFF position padlockable 12h   | 3 ... 4             | H200-A        | 20                                 | 5,5                           | 3,7                 | <b>H216 - 41 ... - 587N4</b> |
|   |                     |               | 25                                 | 7,5                           | 5,5                 | <b>H220 - 41 ... - 587N4</b> |
|   |                     |               | 32                                 | 11                            | 7,5                 | <b>H226 - 41 ... - 587N4</b> |
| Realisable switching programmes:  |                     |               |                                    |                               |                     |                              |
| 2 pole  | 41200, 41211, 41220 |               |                                    |                               |                     |                              |
| 4 pole  | 41400, 41411, 41420 |               |                                    |                               |                     |                              |
| <b>SMD modules for basic switch A02</b>   |                     |               |                                    |                               |                     |                              |
| Mounting form module (switch module ED)   | H200-A              |               |                                    |                               | <b>BFA2 - ED</b>    |                              |
| Enclosure module, mounting form 587N1   |                     |               |                                    |                               | <b>SAH2 - 587N1</b> |                              |
| Enclosure module, mounting form 587N4   |                     |               |                                    |                               | <b>SAH2 - 587N4</b> |                              |
| <b>Mounting brackets</b> for enclosure modules SA (1 set)<br>(Please order separately – see accessories, page D5-1) |                     |               |                                    |                               | <b>SAX1</b>         |                              |
| <b>Dimensions (mm)</b>  |                     |               |                                    |                               |                     |                              |
| <b>Product line</b>   | <b>H1</b>           | <b>B1</b>     | <b>T1</b>                          | <b>T2</b>                     | <b>H2</b>           | <b>B2</b>                    |
| H200-A  | 150                 | 150           | 120                                | 33                            | 132                 | 85                           |

# Enclosed Switches



**Product line  
H200-A**

**Enclosed switch**

**Mild steel enclosure  
powder coated**

150 × 150 × 120 mm

with cover interlock  
in ON position

with PE connection link  
without N connection link

**587V1** (IP66)

**587V4** (IP66)

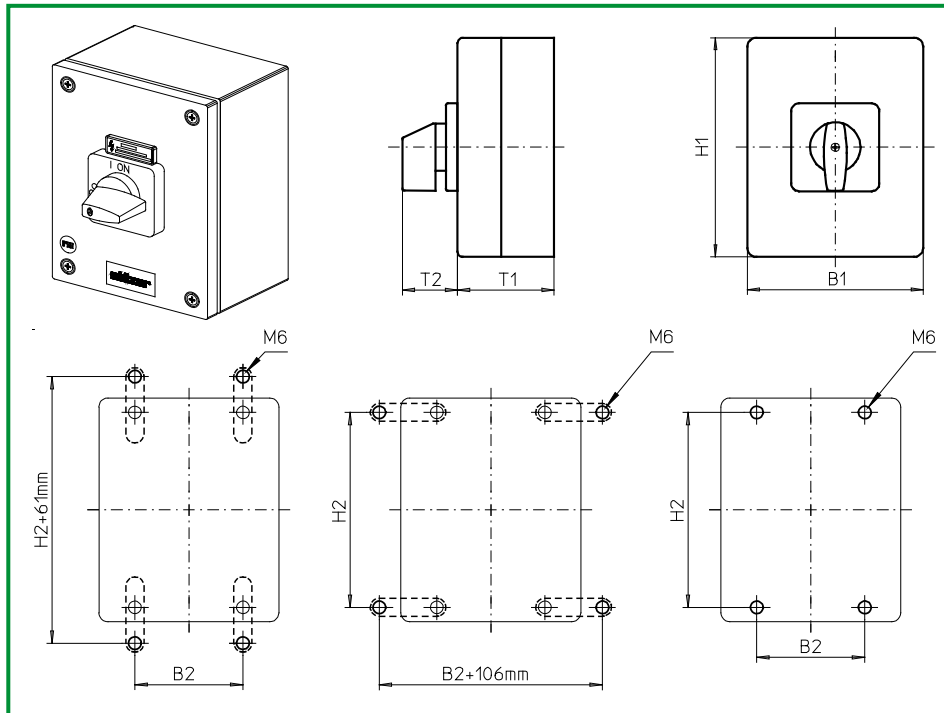
| Complete switch   | Poles   | Product lines | Rated data (IEC 60947)             |                               |            | Order code number            |
|---|---------|---------------|------------------------------------|-------------------------------|------------|------------------------------|
|   |         |               | Operational current I <sub>e</sub> | Operational power at 380–440V |            |                              |
|   |         |               | AC-21A<br>A                        | AC-23A<br>kW                  | AC-3<br>kW |                              |
| Main Switches<br>OFF position padlockable 09h               | 3 ... 4 | H200-A        | 20                                 | 5,5                           | 3,7        | <b>H216 - 41 ... - 587V1</b> |
|   |         |               | 25                                 | 7,5                           | 5,5        | <b>H220 - 41 ... - 587V1</b> |
|   |         |               | 32                                 | 11                            | 7,5        | <b>H226 - 41 ... - 587V1</b> |
| Main/Emergency-Off Switches<br>OFF position padlockable 09h | 3 ... 4 | H200-A        | 20                                 | 5,5                           | 3,7        | <b>H216 - 41 ... - 587V4</b> |
|   |         |               | 25                                 | 7,5                           | 5,5        | <b>H220 - 41 ... - 587V4</b> |
|   |         |               | 32                                 | 11                            | 7,5        | <b>H226 - 41 ... - 587V4</b> |

Realisable switching programmes:  
 2 pole      41200, 41211, 41220  
 4 pole      41400, 41411, 41420

| SMD modules for basic switch A02  |  |        |                                |
|---|--|--------|--------------------------------|
| Mounting form module (switch module ED)   |  | H200-A | <b>BFA2 - ED</b>               |
| Enclosure module, mounting form 587V1   |  |        | <b>SAH2 - 587V1</b>            |
| Enclosure module, mounting form 587V4   |  |        | <b>SAH2 - 587V4</b>            |
| Legend plate silver, enclosure module 587V1   |  |        | <b>FAS4 - 9...</b> (FA number) |
| Legend plate yellow, enclosure module 587V4   |  |        | <b>FBS4 - 9...</b> (FA number) |
| <b>Mounting brackets</b> for enclosure modules SA (1 set)<br>(Please order separately – see accessories, page D5-1) |  |        | <b>SAX1</b>                    |

| Dimensions (mm) |     |     |     |    |     |    |  |
|-----------------|-----|-----|-----|----|-----|----|--|
| Product line    | H1  | B1  | T1  | T2 | H2  | B2 |  |
| H200-A          | 150 | 150 | 120 | 39 | 132 | 85 |  |

# Enclosed Switches



**Product lines**  
**H200-A/-D**

**Enclosed switch**

**Mild steel enclosure**  
**powder coated**

200 × 150 × 120 mm

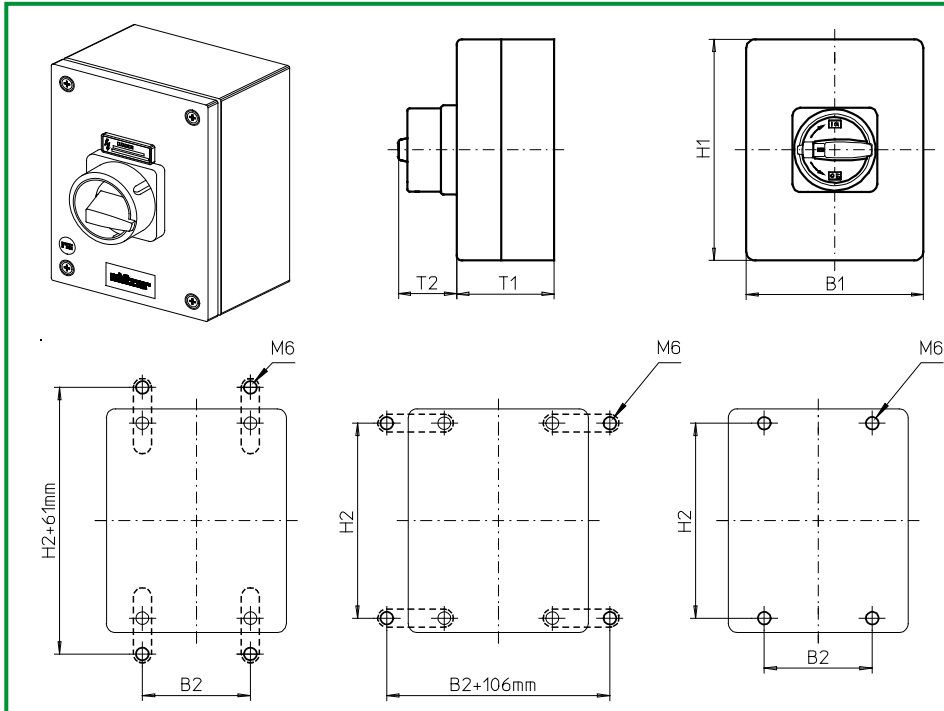
with cover interlock  
in ON position

with PE connection link  
without N connection link

**686M1** (IP66)

| Complete switch   | Poles     | Product lines      | Rated data (IEC 60947)             |                               |            | Order code number              |
|---|-----------|--------------------|------------------------------------|-------------------------------|------------|--------------------------------|
|   |           |                    | Operational current I <sub>e</sub> | Operational power at 380–440V |            |                                |
|   |           |                    | AC-21A<br>A                        | AC-23A<br>kW                  | AC-3<br>kW |                                |
| ON-OFF Switches<br>Switching angle 90°  | 3 ... 8   | H200 -A<br>H200 -D | 20                                 | 5,5                           | 3,7        | <b>H216 - 41 ... - 686M1</b>   |
|   |           |                    | 25                                 | 7,5                           | 5,5        | <b>H220 - 41 ... - 686M1</b>   |
|   |           |                    | 32                                 | 11                            | 7,5        | <b>H226 - 41 ... - 686M1</b>   |
|   |           |                    | 40                                 | 15                            | 11         | <b>H233 - 41 ... - 686M1</b>   |
| <b>SMD modules for basic switch A02</b>   |           |                    |                                    |                               |            |                                |
| Mounting form module (switch module ED)   |           |                    | H200-A                             |                               |            | <b>BFA2 - ED</b>               |
| Mounting form module (switch module ED)   |           |                    | H200-D                             |                               |            | <b>BFC2 - ED</b>               |
| Enclosure module, mounting form 686M1   |           |                    | H200-A/-D                          |                               |            | <b>SAH2 - 686M1</b>            |
| Legend plate silver, enclosure module 686M1   |           |                    | H200-A/-D                          |                               |            | <b>FAS4 - 9...</b> (FA number) |
| <b>Mounting brackets</b> for enclosure modules SA (1 set)<br>(Please order separately – see accessories, page D5-1) |           |                    |                                    |                               |            | <b>SAX1</b>                    |
| <b>Dimensions (mm)</b>  |           |                    |                                    |                               |            |                                |
| <b>Product lines</b>  | <b>H1</b> | <b>B1</b>          | <b>T1</b>                          | <b>T2</b>                     | <b>H2</b>  | <b>B2</b>                      |
| H200-A  | 200       | 150                | 120                                | 39                            | 182        | 85                             |
| H200-D  | 200       | 150                | 120                                | 39                            | 182        | 85                             |

# Enclosed Switches



**Product lines**  
**H200-A/-D**

**Enclosed switch**

**Mild steel enclosure**  
**powder coated**

200 × 150 × 120 mm

with cover interlock  
in ON position

with PE connection link  
without N connection link

**687M1** (IP66)

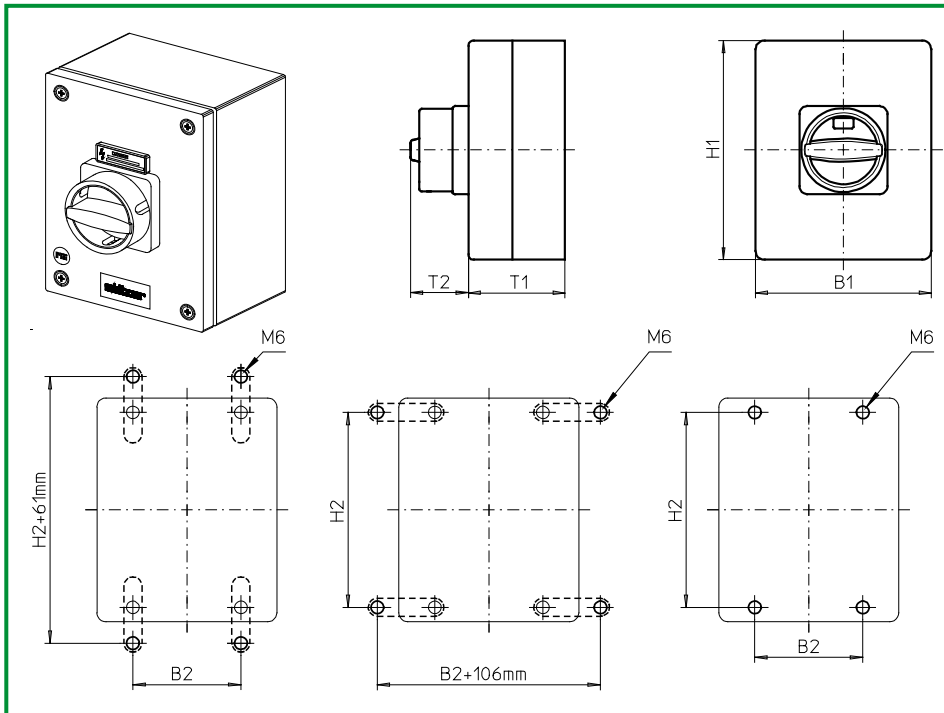
**687M4** (IP66)

| Complete switch   | Poles   | Product lines | Rated data (IEC 60947)             |                               |            | Order code number            |
|---|---------|---------------|------------------------------------|-------------------------------|------------|------------------------------|
|   |         |               | Operational current I <sub>e</sub> | Operational power at 380–440V |            |                              |
|   |         |               | AC-21A<br>A                        | AC-23A<br>kW                  | AC-3<br>kW |                              |
| Main Switches<br>OFF position padlockable 09h               | 3 ... 8 | H200 -A       | 20                                 | 5,5                           | 3,7        | <b>H216 - 41 ... - 687M1</b> |
|   |         | H200 -D       | 25                                 | 7,5                           | 5,5        | <b>H220 - 41 ... - 687M1</b> |
|   |         |               | 32                                 | 11                            | 7,5        | <b>H226 - 41 ... - 687M1</b> |
|   |         |               | 40                                 | 15                            | 11         | <b>H233 - 41 ... - 687M1</b> |
| Main/Emergency-Off Switches<br>OFF position padlockable 09h | 3 ... 8 | H200 -A       | 20                                 | 5,5                           | 3,7        | <b>H216 - 41 ... - 687M4</b> |
|   |         | H200 -D       | 25                                 | 7,5                           | 5,5        | <b>H220 - 41 ... - 687M4</b> |
|   |         |               | 32                                 | 11                            | 7,5        | <b>H226 - 41 ... - 687M4</b> |
|   |         |               | 40                                 | 15                            | 11         | <b>H233 - 41 ... - 687M4</b> |

| SMD modules for basic switch A02  |           |                     |
|---|-----------|---------------------|
| Mounting form module (switch module ED)   | H200-A    | <b>BFA2 - ED</b>    |
| Mounting form module (switch module ED)   | H200-D    | <b>BFC2 - ED</b>    |
| Enclosure module, mounting form 687M1   | H200-A/-D | <b>SAH2 - 687M1</b> |
| Enclosure module, mounting form 687M4   | H200-A/-D | <b>SAH2 - 687M4</b> |
| <b>Mounting brackets</b> for enclosure modules SA (1 set)<br>(Please order separately – see accessories, page D5-1) |           | <b>SAX1</b>         |

| Dimensions (mm) |     |     |     |    |     |    |
|-----------------|-----|-----|-----|----|-----|----|
| Product lines   | H1  | B1  | T1  | T2 | H2  | B2 |
| H200-A          | 200 | 150 | 120 | 38 | 182 | 85 |
| H200-D          | 200 | 150 | 120 | 38 | 182 | 85 |

# Enclosed Switches



**Product lines**  
**H200-A/-D**

**Enclosed switch**

**Mild steel enclosure**  
**powder coated**

200 × 150 × 120 mm

with cover interlock  
in ON position

with PE connection link  
without N connection link

**687N1** (IP66)

**687N4** (IP66)

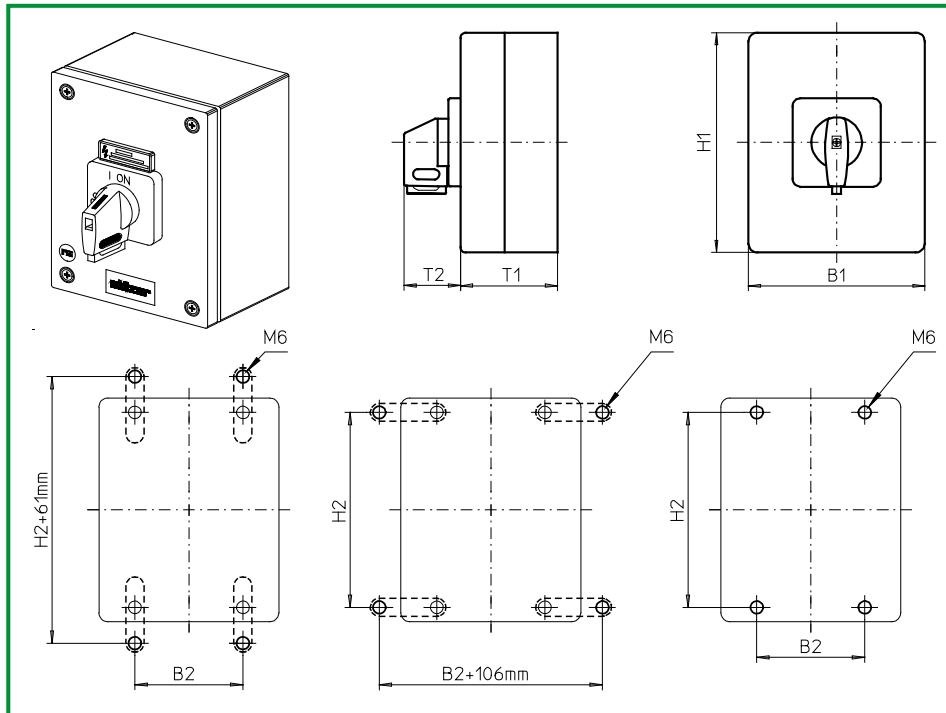
| Complete switch   | Poles   | Product lines | Rated data (IEC 60947)             |                               |            | Order code number            |
|---|---------|---------------|------------------------------------|-------------------------------|------------|------------------------------|
|   |         |               | Operational current I <sub>e</sub> | Operational power at 380–440V |            |                              |
|   |         |               | AC-21A<br>A                        | AC-23A<br>kW                  | AC-3<br>kW |                              |
| Main Switches<br>OFF position padlockable 12h               | 3 ... 8 | H200 -A       | 20                                 | 5,5                           | 3,7        | <b>H216 - 41 ... - 687N1</b> |
|   |         | H200 -D       | 25                                 | 7,5                           | 5,5        | <b>H220 - 41 ... - 687N1</b> |
|   |         |               | 32                                 | 11                            | 7,5        | <b>H226 - 41 ... - 687N1</b> |
|   |         |               | 40                                 | 15                            | 11         | <b>H233 - 41 ... - 687N1</b> |
| Main/Emergency-Off Switches<br>OFF position padlockable 12h | 3 ... 8 | H200 -A       | 20                                 | 5,5                           | 3,7        | <b>H216 - 41 ... - 687N4</b> |
|   |         | H200 -D       | 25                                 | 7,5                           | 5,5        | <b>H220 - 41 ... - 687N4</b> |
|   |         |               | 32                                 | 11                            | 7,5        | <b>H226 - 41 ... - 687N4</b> |
|   |         |               | 40                                 | 15                            | 11         | <b>H233 - 41 ... - 687N4</b> |

| SMD modules for basic switch A02  |           |                     |
|---|-----------|---------------------|
| Mounting form module (switch module ED)   | H200-A    | <b>BFA2 - ED</b>    |
| Mounting form module (switch module ED)   | H200-D    | <b>BFC2 - ED</b>    |
| Enclosure module, mounting form 687N1   | H200-A/-D | <b>SAH2 - 687N1</b> |
| Enclosure module, mounting form 687N4   | H200-A/-D | <b>SAH2 - 687N4</b> |
| <b>Mounting brackets</b> for enclosure modules SA (1 set)<br>(Please order separately – see accessories, page D5-1) |           | <b>SAX1</b>         |

| Dimensions (mm) |     |     |     |    |     |    |
|-----------------|-----|-----|-----|----|-----|----|
| Product lines   | H1  | B1  | T1  | T2 | H2  | B2 |
| H200-A          | 200 | 150 | 120 | 33 | 182 | 85 |
| H200-D          | 200 | 150 | 120 | 33 | 182 | 85 |



# Enclosed Switches



**Product lines  
H200-A/-D**

**Enclosed switch**

**Mild steel enclosure  
powder coated**

200 × 150 × 120 mm

with cover interlock  
in ON position

with PE connection link  
without N connection link

**687V1 (IP66)**

**687V4 (IP66)**

| Complete switch   | Poles   | Product lines | Rated data (IEC 60947)             |                               |            | Order code number            |
|---|---------|---------------|------------------------------------|-------------------------------|------------|------------------------------|
|   |         |               | Operational current I <sub>e</sub> | Operational power at 380–440V |            |                              |
|   |         |               | AC-21A<br>A                        | AC-23A<br>kW                  | AC-3<br>kW |                              |
| Main Switches<br>OFF position padlockable 09h               | 3 ... 8 | H200 -A       | 20                                 | 5,5                           | 3,7        | <b>H216 - 41 ... - 687V1</b> |
|   |         | H200 -D       | 25                                 | 7,5                           | 5,5        | <b>H220 - 41 ... - 687V1</b> |
|   |         |               | 32                                 | 11                            | 7,5        | <b>H226 - 41 ... - 687V1</b> |
|   |         |               | 40                                 | 15                            | 11         | <b>H233 - 41 ... - 687V1</b> |
| Main/Emergency-Off Switches<br>OFF position padlockable 09h | 3 ... 8 | H200 -A       | 20                                 | 5,5                           | 3,7        | <b>H216 - 41 ... - 687V4</b> |
|   |         | H200 -D       | 25                                 | 7,5                           | 5,5        | <b>H220 - 41 ... - 687V4</b> |
|   |         |               | 32                                 | 11                            | 7,5        | <b>H226 - 41 ... - 687V4</b> |
|   |         |               | 40                                 | 15                            | 11         | <b>H233 - 41 ... - 687V4</b> |

### SMD modules for basic switch A02

Mounting form module (switch module ED)  
Mounting form module (switch module ED)

H200-A  
H200-D  
H200-A/-D  
H200-A/-D  
H200-A/-D  
H200-A/-D

**BFA2 - ED**  
**BFC2 - ED**

Enclosure module, mounting form 687V1  
Enclosure module, mounting form 687V4

**SAH2 - 687V1**  
**SAH2 - 687V4**

Legend plate silver, enclosure module 687V1  
Legend plate yellow, enclosure module 687V4

**FAS4 - 9...** (FA number)  
**FBS4 - 9...** (FA number)

**Mounting brackets** for enclosure modules SA (1 set)  
(Please order separately – see accessories, page D5-1)

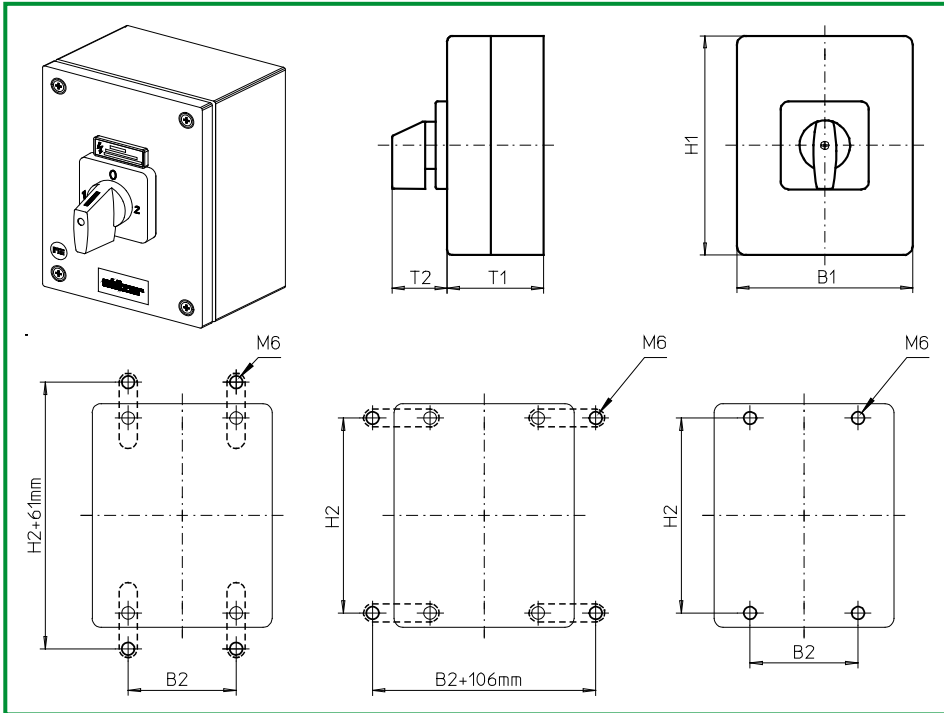
**SAX1**

### Dimensions (mm)

| Product lines | H1  | B1  | T1  | T2 | H2  | B2 |
|---------------|-----|-----|-----|----|-----|----|
| H200-A        | 200 | 150 | 120 | 39 | 182 | 85 |
| H200-D        | 200 | 150 | 120 | 39 | 182 | 85 |

# Enclosed Switches

# sälzer



**Product line  
H200-E**

**Enclosed switch**

**Mild steel enclosure  
powder coated**

200 × 150 × 120 mm

Cover interlock  
in position 1 and 2

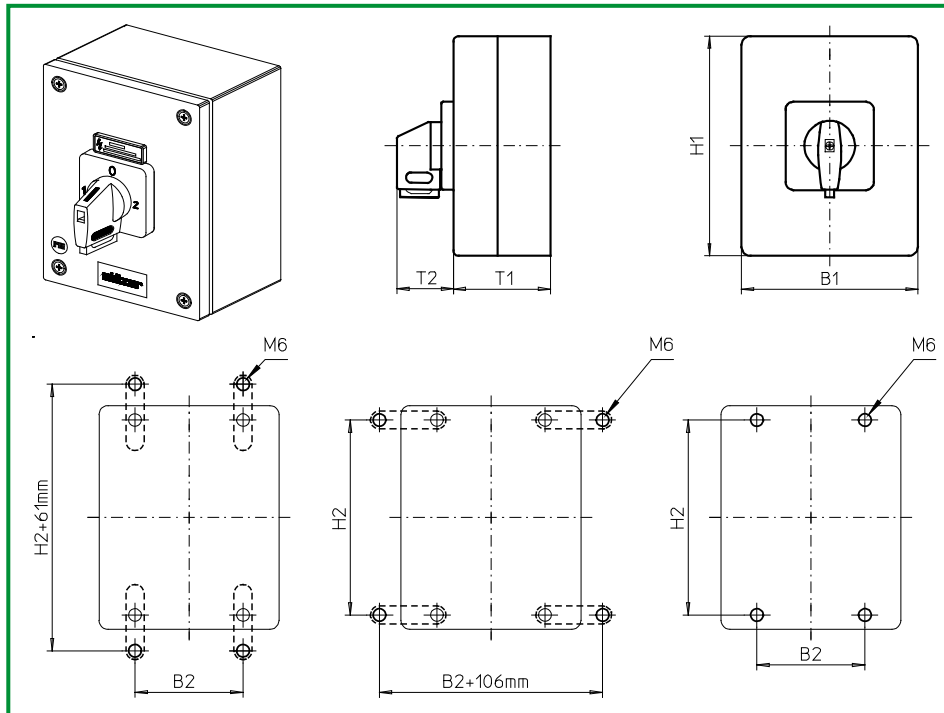
with PE connection link  
without N connection link

**688M1** (IP66)

| Complete switch   | Poles     | Product lines | Rated data (IEC 60947)             |                               |            | Order code number              |
|---|-----------|---------------|------------------------------------|-------------------------------|------------|--------------------------------|
|   |           |               | Operational current I <sub>e</sub> | Operational power at 380–440V |            |                                |
|   |           |               | AC-21A<br>A                        | AC-23A<br>kW                  | AC-3<br>kW |                                |
| Changeover with OFF<br>Switching angle 90°  | 3 ... 4   | H200-E        | 20                                 | 5,5                           | 3,7        | <b>H216 - 71 ... - 688M1</b>   |
|   |           |               | 25                                 | 7,5                           | 5,5        | <b>H220 - 71 ... - 688M1</b>   |
|   |           |               | 32                                 | 11                            | 7,5        | <b>H226 - 71 ... - 688M1</b>   |
|   |           |               | 40                                 | 15                            | 11         | <b>H233 - 71 ... - 688M1</b>   |
| <b>SMD modules for basic switch A02</b>   |           |               |                                    |                               |            |                                |
| Mounting form module (switch module ED)   |           |               | H200-E                             |                               |            | <b>BFB2 - ED</b>               |
| Enclosure module, mounting form 688M1   |           |               | H200-E                             |                               |            | <b>SAH2 - 688M1</b>            |
| Legend plate silver, enclosure module 688M1   |           |               | H200-E                             |                               |            | <b>FAS4 - 9...</b> (FA number) |
| <b>Mounting brackets</b> for enclosure modules SA (1 set)<br>(Please order separately – see accessories, page D5-1) |           |               |                                    |                               |            | <b>SAX1</b>                    |
| <b>Dimensions (mm)</b>  |           |               |                                    |                               |            |                                |
| <b>Product line</b>   | <b>H1</b> | <b>B1</b>     | <b>T1</b>                          | <b>T2</b>                     | <b>H2</b>  | <b>B2</b>                      |
| H200-E  | 200       | 150           | 120                                | 39                            | 182        | 85                             |

# Enclosed Switches

# sälzer



**Product line  
H200-E**

**Enclosed switch**

**Mild steel enclosure  
powder coated**

200 × 150 × 120 mm

Cover interlock  
in position 1 and 2

with PE connection link  
without N connection link

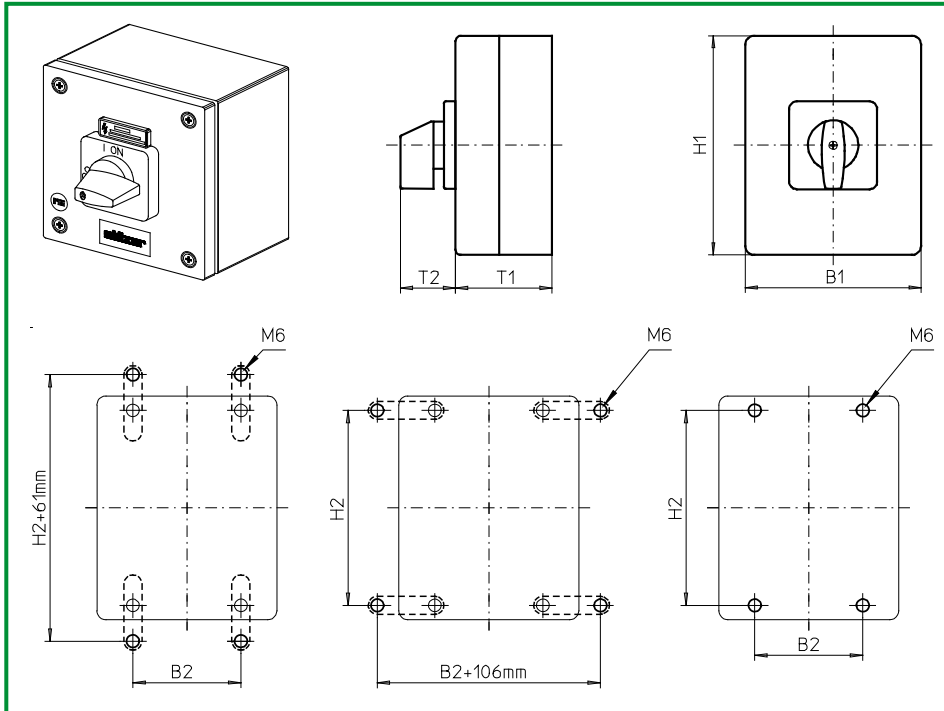
**686V1 (IP66)**

**688V1 (IP66)**

| Complete switch   | Poles     | Product lines | Rated data (IEC 60947)             |                               |            | Order code number              |
|---|-----------|---------------|------------------------------------|-------------------------------|------------|--------------------------------|
|   |           |               | Operational current I <sub>e</sub> | Operational power at 380–440V |            |                                |
|   |           |               | AC-21A<br>A                        | AC-23A<br>kW                  | AC-3<br>kW |                                |
| Changeover with OFF<br>Switching angle 90°<br>OFF position padlockable 12h  | 3 ... 4   | H200-E        | 20                                 | 5,5                           | 3,7        | <b>H216 - 71 ... - 686V1</b>   |
|   |           |               | 25                                 | 7,5                           | 5,5        | <b>H220 - 71 ... - 686V1</b>   |
|   |           |               | 32                                 | 11                            | 7,5        | <b>H226 - 71 ... - 686V1</b>   |
|   |           |               | 40                                 | 15                            | 11         | <b>H233 - 71 ... - 686V1</b>   |
| Changeover with OFF<br>Switching angle 90°<br>3 positions padlockable<br>(09h/12h/03h)                              | 3 ... 4   | H200-E        | 20                                 | 5,5                           | 3,7        | <b>H216 - 71 ... - 688V1</b>   |
|   |           |               | 25                                 | 7,5                           | 5,5        | <b>H220 - 71 ... - 688V1</b>   |
|   |           |               | 32                                 | 11                            | 7,5        | <b>H226 - 71 ... - 688V1</b>   |
|   |           |               | 40                                 | 15                            | 11         | <b>H233 - 71 ... - 688V1</b>   |
| <b>SMD modules for basic switch A02</b>   |           |               |                                    |                               |            |                                |
| Mounting form module (switch module ED)   |           |               | H200-E                             |                               |            | <b>BFB2 - ED</b>               |
| Enclosure module, mounting form 686V1   |           |               | H200-E                             |                               |            | <b>SAH2 - 686V1</b>            |
| Enclosure module, mounting form 688V1   |           |               | H200-E                             |                               |            | <b>SAH2 - 688V1</b>            |
| Legend plate silver, enclosure module 686V1/688V1   |           |               | H200-E                             |                               |            | <b>FAS4 - 9...</b> (FA number) |
| <b>Mounting brackets</b> for enclosure modules SA (1 set)<br>(Please order separately – see accessories, page D5-1) |           |               |                                    |                               |            | <b>SAX1</b>                    |
| <b>Dimensions (mm)</b>  |           |               |                                    |                               |            |                                |
| <b>Product line</b>   | <b>H1</b> | <b>B1</b>     | <b>T1</b>                          | <b>T2</b>                     | <b>H2</b>  | <b>B2</b>                      |
| H200-E  | 200       | 150           | 120                                | 39                            | 182        | 85                             |

# Enclosed Switches

**sälzer**



**Product line  
H200-A**

**Enclosed switch**

**Stainless steel enclosure**

150 x 150 x 120 mm

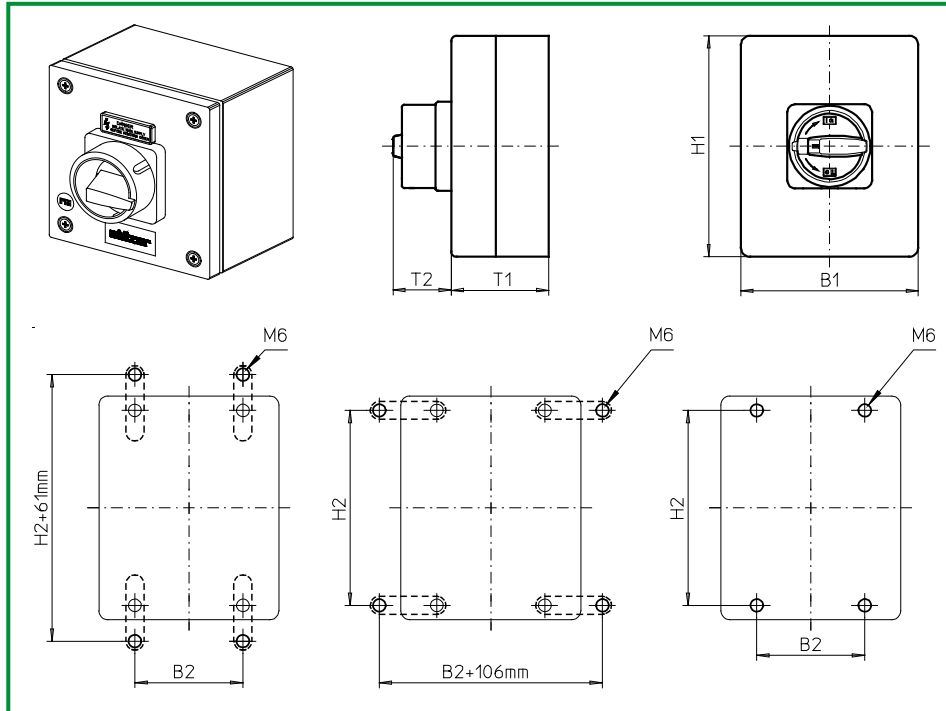
with cover interlock  
in ON position

with N/PE connection link

**096M1** (IP66)

| Complete switch                                    | Poles     | Product lines | Rated data (IEC 60947)    |                               |            | Order code number              |
|--|-----------|---------------|---------------------------|-------------------------------|------------|--------------------------------|
|  |           |               | Operational current $I_e$ | Operational power at 380–440V |            |                                |
|  |           |               | AC-21A<br>A               | AC-23A<br>kW                  | AC-3<br>kW |                                |
| ON-OFF Switches<br>Switching angle 90°             | 3 ... 4   | H200-A        | 20                        | 5,5                           | 3,7        | <b>H216 - 41 ... - 096M1</b>   |
|  |           |               | 25                        | 7,5                           | 5,5        | <b>H220 - 41 ... - 096M1</b>   |
|  |           |               | 32                        | 11                            | 7,5        | <b>H226 - 41 ... - 096M1</b>   |
| <b>SMD modules for basic switch A02</b>            |           |               |                           |                               |            |                                |
| Mounting form module (switch module ED)            |           |               | H200-A                    |                               |            | <b>BFA2 - ED</b>               |
| Enclosure module, mounting form 096M1              |           |               | H200-A                    |                               |            | <b>SBH2 - 096M1</b>            |
| Legend plate silver, enclosure module 096M1        |           |               | H200-A                    |                               |            | <b>FAS4 - 9...</b> (FA number) |
| <b>Accessories</b>                                 |           |               |                           |                               |            |                                |
| Mounting brackets for enclosure modules SB (1 set) |           |               |                           |                               |            | <b>SBX1</b>                    |
| <b>Dimensions (mm)</b>                             |           |               |                           |                               |            |                                |
| <b>Product line</b>                                | <b>H1</b> | <b>B1</b>     | <b>T1</b>                 | <b>T2</b>                     | <b>H2</b>  | <b>B2</b>                      |
| H200-A   | 150       | 150           | 120                       | 39                            | 132        | 85                             |

# Enclosed Switches



**Product line  
H200-A**

**Enclosed switch**

**Stainless steel enclosure**

150 x 150 x 120 mm

with cover interlock  
in ON position

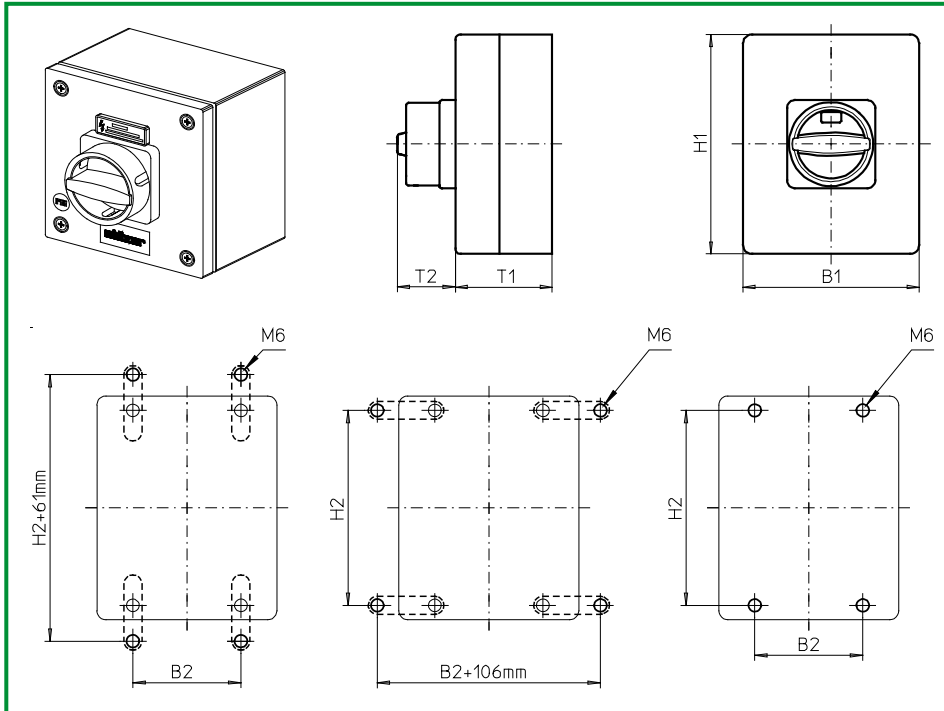
with N/PE connection link

**097M1** (IP66)

**097M4** (IP66)

| Complete switch   | Poles     | Product lines | Rated data (IEC 60947)    |                               |            | Order code number            |
|---|-----------|---------------|---------------------------|-------------------------------|------------|------------------------------|
|   |           |               | Operational current $I_e$ | Operational power at 380–440V |            |                              |
|   |           |               | AC-21A<br>A               | AC-23A<br>kW                  | AC-3<br>kW |                              |
| Main Switches<br>OFF position padlockable 09h               | 3 ... 4   | H200-A        | 20                        | 5,5                           | 3,7        | <b>H216 - 41 ... - 097M1</b> |
|   |           |               | 25                        | 7,5                           | 5,5        | <b>H220 - 41 ... - 097M1</b> |
|   |           |               | 32                        | 11                            | 7,5        | <b>H226 - 41 ... - 097M1</b> |
| Main/Emergency-Off Switches<br>OFF position padlockable 09h | 3 ... 4   | H200-A        | 20                        | 5,5                           | 3,7        | <b>H216 - 41 ... - 097M4</b> |
|   |           |               | 25                        | 7,5                           | 5,5        | <b>H220 - 41 ... - 097M4</b> |
|   |           |               | 32                        | 11                            | 7,5        | <b>H226 - 41 ... - 097M4</b> |
| <b>SMD modules for basic switch A02</b>                     |           |               |                           |                               |            |                              |
| Mounting form module (switch module ED)                     |           |               | H200-A                    |                               |            | <b>BFA2 - ED</b>             |
| Enclosure module, mounting form 097M1                       |           |               | H200-A                    |                               |            | <b>SBH2 - 097M1</b>          |
| Enclosure module, mounting form 097M4                       |           |               | H200-A                    |                               |            | <b>SBH2 - 097M4</b>          |
| <b>Accessories</b>  |           |               |                           |                               |            |                              |
| Mounting brackets for enclosure modules SB (1 set)          |           |               |                           |                               |            | <b>SBX1</b>                  |
| <b>Dimensions (mm)</b>                                      |           |               |                           |                               |            |                              |
| <b>Product line</b>   | <b>H1</b> | <b>B1</b>     | <b>T1</b>                 | <b>T2</b>                     | <b>H2</b>  | <b>B2</b>                    |
| H200-A  | 150       | 150           | 120                       | 38                            | 132        | 85                           |

# Enclosed Switches



**Product line  
H200-A**

**Enclosed switch**

**Stainless steel enclosure**

150 × 150 × 120 mm

with cover interlock  
in ON position

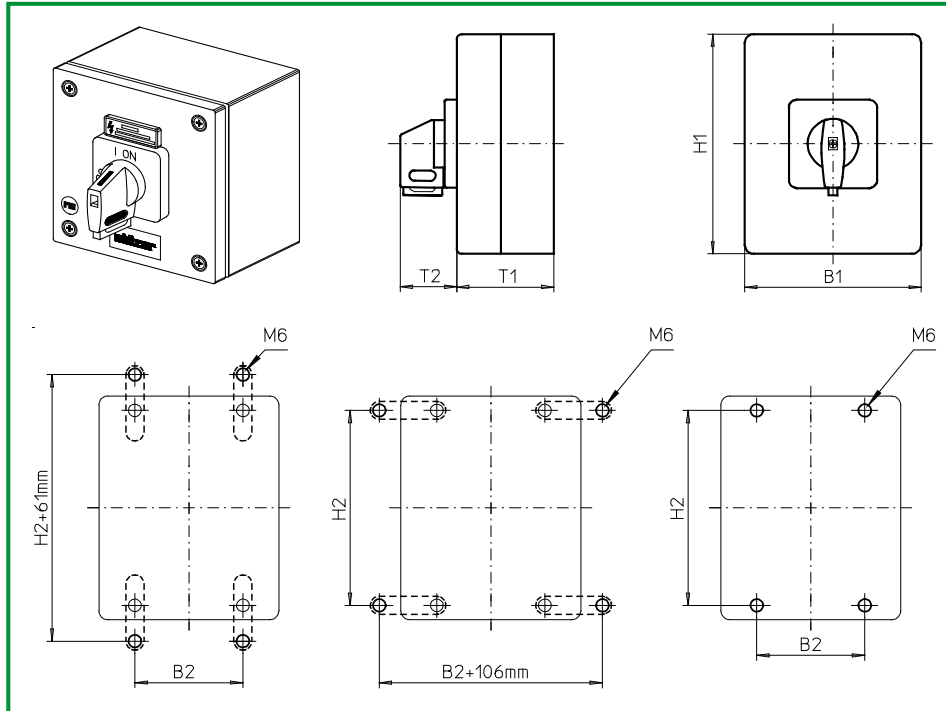
with N/PE connection link

**097N1 (IP66)**

**097N4 (IP66)**

| Complete switch   | Poles     | Product lines | Rated data (IEC 60947)             |                               |            | Order code number            |
|---|-----------|---------------|------------------------------------|-------------------------------|------------|------------------------------|
|   |           |               | Operational current I <sub>e</sub> | Operational power at 380–440V |            |                              |
|   |           |               | AC-21A<br>A                        | AC-23A<br>kW                  | AC-3<br>kW |                              |
| Main Switches<br>OFF position padlockable 12h               | 3 ... 4   | H200-A        | 20                                 | 5,5                           | 3,7        | <b>H216 - 41 ... - 097N1</b> |
|   |           |               | 25                                 | 7,5                           | 5,5        | <b>H220 - 41 ... - 097N1</b> |
|   |           |               | 32                                 | 11                            | 7,5        | <b>H226 - 41 ... - 097N1</b> |
| Main/Emergency-Off Switches<br>OFF position padlockable 12h | 3 ... 4   | H200-A        | 20                                 | 5,5                           | 3,7        | <b>H216 - 41 ... - 097N4</b> |
|   |           |               | 25                                 | 7,5                           | 5,5        | <b>H220 - 41 ... - 097N4</b> |
|   |           |               | 32                                 | 11                            | 7,5        | <b>H226 - 41 ... - 097N4</b> |
| <b>SMD modules for basic switch A02</b>                     |           |               |                                    |                               |            |                              |
| Mounting form module (switch module ED)                     |           |               | H200-A                             |                               |            | <b>BFA2 - ED</b>             |
| Enclosure module, mounting form 097N1                       |           |               | H200-A                             |                               |            | <b>SBH2 - 097N1</b>          |
| Enclosure module, mounting form 097N4                       |           |               | H200-A                             |                               |            | <b>SBH2 - 097N4</b>          |
| <b>Accessories</b>  |           |               |                                    |                               |            |                              |
| Mounting brackets for enclosure modules SB (1 set)          |           |               |                                    |                               |            | <b>SBX1</b>                  |
| <b>Dimensions (mm)</b>                                      |           |               |                                    |                               |            |                              |
| <b>Product line</b>   | <b>H1</b> | <b>B1</b>     | <b>T1</b>                          | <b>T2</b>                     | <b>H2</b>  | <b>B2</b>                    |
| H200-A  | 150       | 150           | 120                                | 33                            | 132        | 85                           |

# Enclosed Switches



**Product line  
H200-A**

**Enclosed switch**

**Stainless steel enclosure**

150 x 150 x 120 mm

with cover interlock  
in ON position

with N/PE connection link

**097V1 (IP66)**

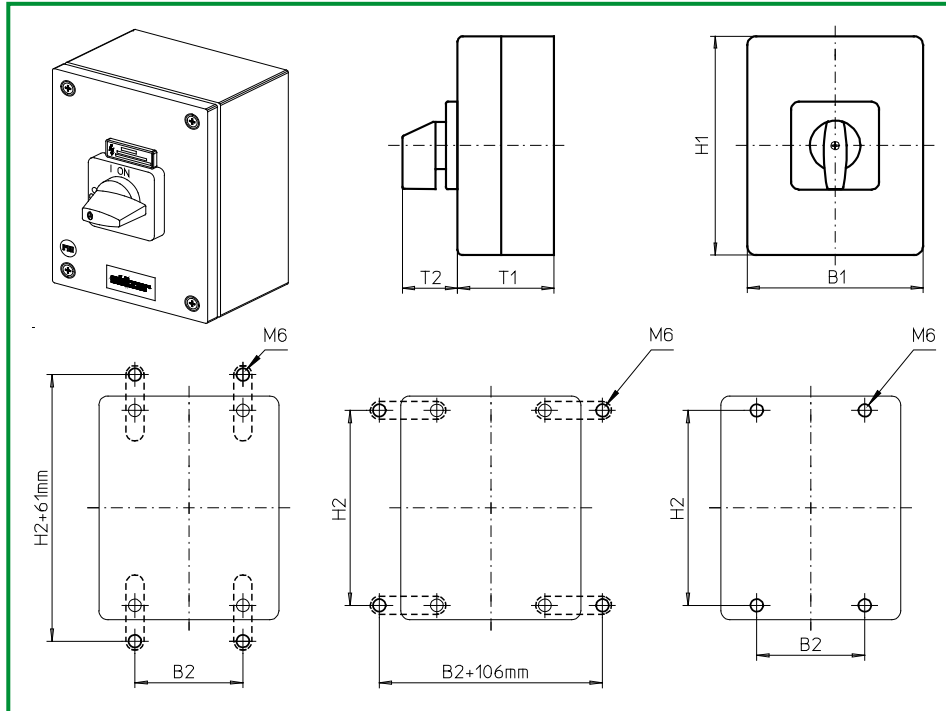
**097V4 (IP66)**

| Complete switch   | Poles   | Product lines | Rated data (IEC 60947)             |                               |            | Order code number            |
|---|---------|---------------|------------------------------------|-------------------------------|------------|------------------------------|
|   |         |               | Operational current I <sub>e</sub> | Operational power at 380–440V |            |                              |
|   |         |               | AC-21A<br>A                        | AC-23A<br>kW                  | AC-3<br>kW |                              |
| Main Switches<br>OFF position padlockable 09h               | 3 ... 4 | H200-A        | 20                                 | 5,5                           | 3,7        | <b>H216 - 41 ... - 097V1</b> |
|   |         |               | 25                                 | 7,5                           | 5,5        | <b>H220 - 41 ... - 097V1</b> |
|   |         |               | 32                                 | 11                            | 7,5        | <b>H226 - 41 ... - 097V1</b> |
| Main/Emergency-Off Switches<br>OFF position padlockable 09h | 3 ... 4 | H200-A        | 20                                 | 5,5                           | 3,7        | <b>H216 - 41 ... - 097V4</b> |
|   |         |               | 25                                 | 7,5                           | 5,5        | <b>H220 - 41 ... - 097V4</b> |
|   |         |               | 32                                 | 11                            | 7,5        | <b>H226 - 41 ... - 097V4</b> |

| SMD modules for basic switch A02   |        |                                |
|--|--------|--------------------------------|
| Mounting form module (switch module ED)                                  | H200-A | <b>BFA2 - ED</b>               |
| Enclosure module, mounting form 097V1                                    | H200-A | <b>SBH2 - 097V1</b>            |
| Enclosure module, mounting form 097V4                                    | H200-A | <b>SBH2 - 097V4</b>            |
| Legend plate silver, enclosure module 097V1                              | H200-A | <b>FAS4 - 9...</b> (FA number) |
| Legend plate yellow, enclosure module 097V4                              | H200-A | <b>FBS4 - 9...</b> (FA number) |
| <b>Accessories</b><br>Mounting brackets for enclosure modules SB (1 set) |        | <b>SBX1</b>                    |

| Dimensions (mm) |     |     |     |    |     |    |
|-----------------|-----|-----|-----|----|-----|----|
| Product line    | H1  | B1  | T1  | T2 | H2  | B2 |
| H200-A          | 150 | 150 | 120 | 39 | 132 | 85 |

# Enclosed Switches



**Product lines  
H200-A/-D**

**Enclosed switch**

**Stainless steel enclosure**

200 x 150 x 120 mm

with cover interlock  
in ON position

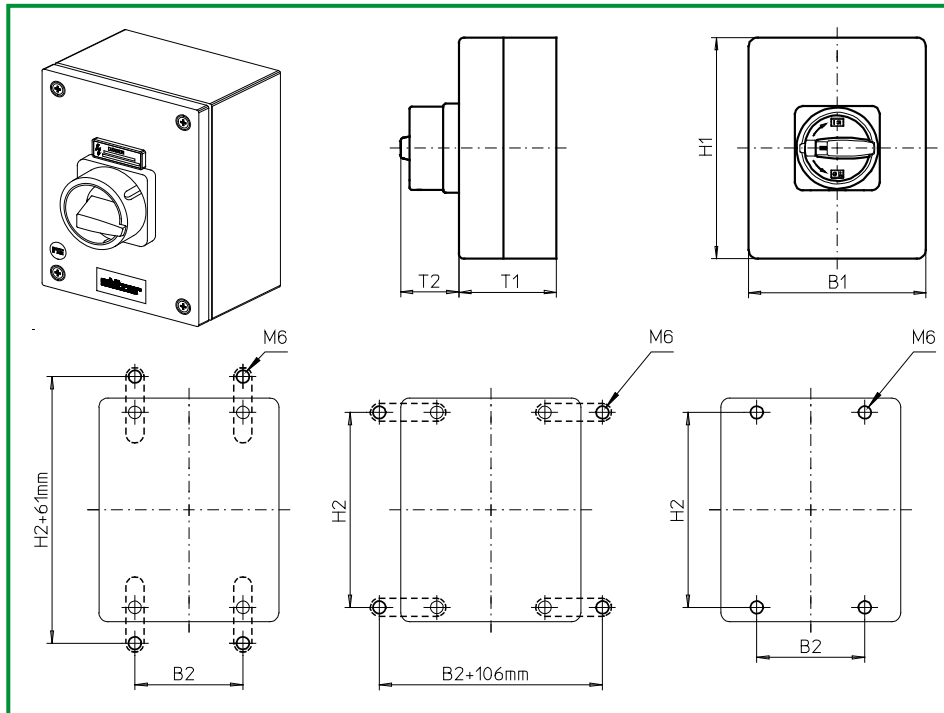
with N/PE connection link

**196M1** (IP66)

| Complete switch                                    | Poles     | Product lines | Rated data (IEC 60947)    |                               |                         | Order code number  |
|--|-----------|---------------|---------------------------|-------------------------------|-------------------------|--|
|  |           |               | Operational current $I_e$ | Operational power at 380–440V |                         |  |
|  |           |               | AC-21A<br>A               | AC-23A<br>kW                  | AC-3<br>kW              |  |
| ON-OFF Switches<br>Switching angle 90°             | 3 ... 8   | H200-A/-D     | 20<br>25<br>32<br>40      | 5,5<br>7,5<br>11<br>15        | 3,7<br>5,5<br>7,5<br>11 | <b>H216 - 41 ... - 196M1</b><br><b>H220 - 41 ... - 196M1</b><br><b>H226 - 41 ... - 196M1</b><br><b>H233 - 41 ... - 196M1</b> |
| <b>SMD modules for basic switch A02</b>            |           |               |                           |                               |                         |  |
| Mounting form module (switch module ED)            |           |               | H200-A                    |                               |                         | <b>BFA2 - ED</b>   |
| Mounting form module (switch module ED)            |           |               | H200-D                    |                               |                         | <b>BFC2 - ED</b>   |
| Enclosure module, mounting form 196M1              |           |               | H200-A/-D                 |                               |                         | <b>SBH2 - 196M1</b>  |
| Legend plate silver, enclosure module 196M1        |           |               | H200-A/-D                 |                               |                         | <b>FAS4 - 9...</b> (FA number)   |
| <b>Accessories</b>                                 |           |               |                           |                               |                         |  |
| Mounting brackets for enclosure modules SB (1 set) |           |               |                           |                               |                         | <b>SBX1</b>  |
| <b>Dimensions (mm)</b>                             |           |               |                           |                               |                         |  |
| <b>Product lines</b>                               | <b>H1</b> | <b>B1</b>     | <b>T1</b>                 | <b>T2</b>                     | <b>H2</b>               | <b>B2</b>  |
| H200-A   | 200       | 150           | 120                       | 39                            | 182                     | 85   |
| H200-D   | 200       | 150           | 120                       | 39                            | 182                     | 85   |



# Enclosed Switches



**Product lines  
H200-A/-D**

**Enclosed switch**

**Stainless steel enclosure**

200 × 150 × 120 mm

with cover interlock  
in ON position

with N/PE connection link

**197M1** (IP66)

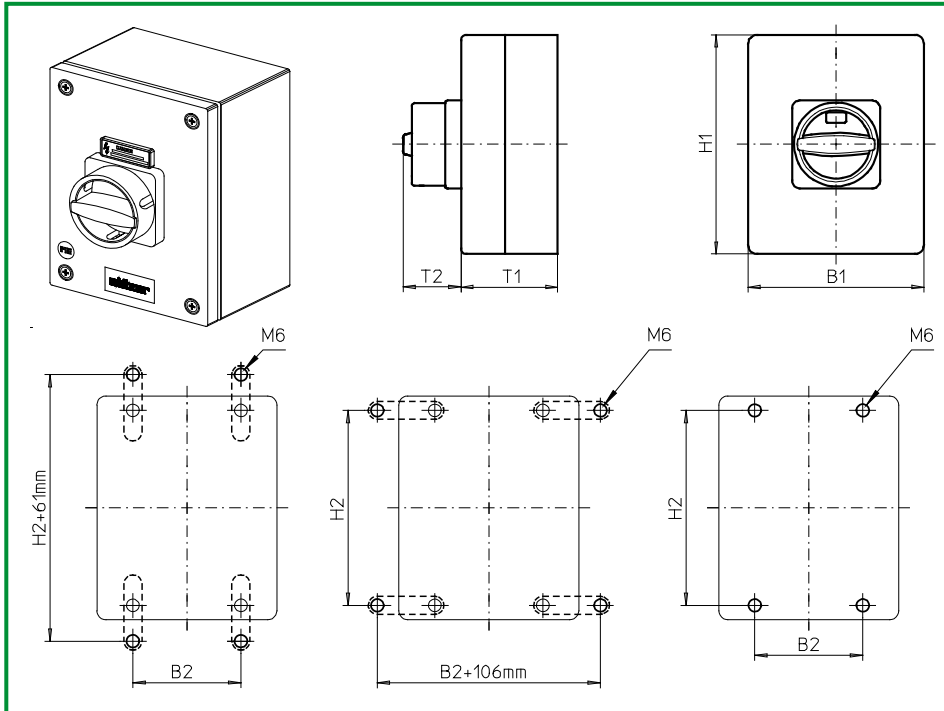
**197M4** (IP66)

| Complete switch   | Poles   | Product lines | Rated data (IEC 60947)    |                               |            | Order code number            |
|---|---------|---------------|---------------------------|-------------------------------|------------|------------------------------|
|   |         |               | Operational current $I_e$ | Operational power at 380–440V |            |                              |
|   |         |               | AC-21A<br>A               | AC-23A<br>kW                  | AC-3<br>kW |                              |
| Main Switches<br>OFF position padlockable 09h               | 3 ... 8 | H200-A/-D     | 20                        | 5,5                           | 3,7        | <b>H216 - 41 ... - 197M1</b> |
|   |         |               | 25                        | 7,5                           | 5,5        | <b>H220 - 41 ... - 197M1</b> |
|   |         |               | 32                        | 11                            | 7,5        | <b>H226 - 41 ... - 197M1</b> |
|   |         |               | 40                        | 15                            | 11         | <b>H233 - 41 ... - 197M1</b> |
| Main/Emergency-Off Switches<br>OFF position padlockable 09h | 3 ... 8 | H200-A/-D     | 20                        | 5,5                           | 3,7        | <b>H216 - 41 ... - 197M4</b> |
|   |         |               | 25                        | 7,5                           | 5,5        | <b>H220 - 41 ... - 197M4</b> |
|   |         |               | 32                        | 11                            | 7,5        | <b>H226 - 41 ... - 197M4</b> |
|   |         |               | 40                        | 15                            | 11         | <b>H233 - 41 ... - 197M4</b> |

| SMD modules for basic switch A02   |           |                     |
|--|-----------|---------------------|
| Mounting form module (switch module ED)                                  | H200-A    | <b>BFA2 - ED</b>    |
| Mounting form module (switch module ED)                                  | H200-D    | <b>BFC2 - ED</b>    |
| Enclosure module, mounting form 197M1                                    | H200-A/-D | <b>SBH2 - 197M1</b> |
| Enclosure module, mounting form 197M4                                    | H200-A/-D | <b>SBH2 - 197M4</b> |
| <b>Accessories</b><br>Mounting brackets for enclosure modules SB (1 set) |           | <b>SBX1</b>         |

| Dimensions (mm) |     |     |     |    |     |    |
|-----------------|-----|-----|-----|----|-----|----|
| Product lines   | H1  | B1  | T1  | T2 | H2  | B2 |
| H200-A          | 200 | 150 | 120 | 38 | 182 | 85 |
| H200-D          | 200 | 150 | 120 | 38 | 182 | 85 |

# Enclosed Switches



**Product lines**  
**H200-A/-D**

**Enclosed switch**

**Stainless steel enclosure**

200 × 150 × 120 mm

with cover interlock  
in ON position

with N/PE connection link

**197N1** (IP66)

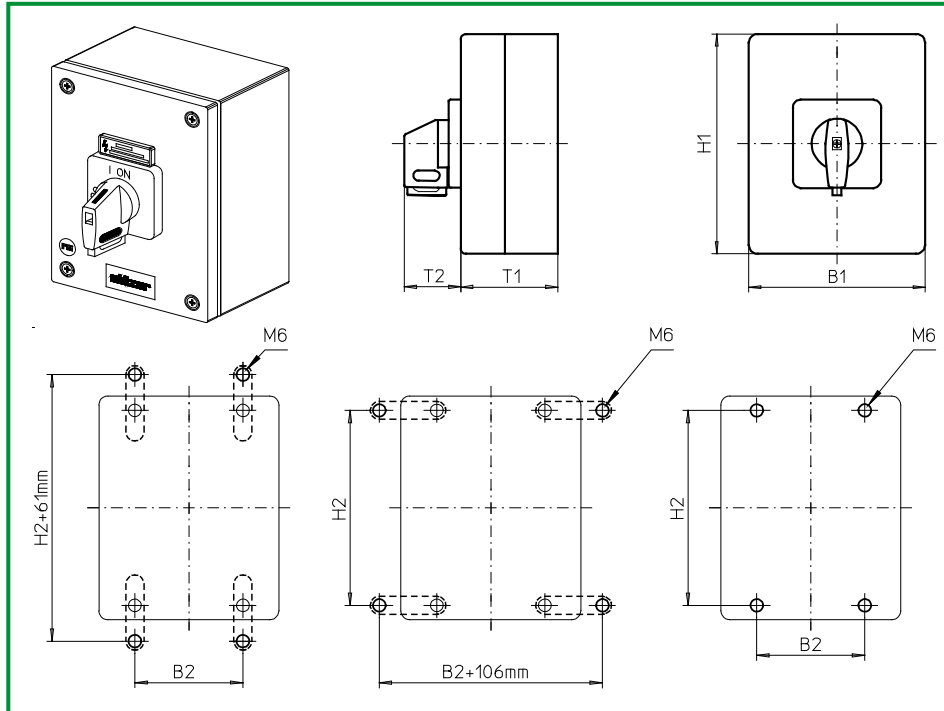
**197N4** (IP66)

| Complete switch   | Poles   | Product lines | Rated data (IEC 60947)    |                               |            | Order code number            |
|---|---------|---------------|---------------------------|-------------------------------|------------|------------------------------|
|   |         |               | Operational current $I_e$ | Operational power at 380–440V |            |                              |
|   |         |               | AC-21A<br>A               | AC-23A<br>kW                  | AC-3<br>kW |                              |
| Main Switches<br>OFF position padlockable 12h               | 3 ... 8 | H200-A/-D     | 20                        | 5,5                           | 3,7        | <b>H216 - 41 ... - 197N1</b> |
|   |         |               | 25                        | 7,5                           | 5,5        | <b>H220 - 41 ... - 197N1</b> |
|   |         |               | 32                        | 11                            | 7,5        | <b>H226 - 41 ... - 197N1</b> |
|   |         |               | 40                        | 15                            | 11         | <b>H233 - 41 ... - 197N1</b> |
| Main/Emergency-Off Switches<br>OFF position padlockable 12h | 3 ... 8 | H200-A/-D     | 20                        | 5,5                           | 3,7        | <b>H216 - 41 ... - 197N4</b> |
|   |         |               | 25                        | 7,5                           | 5,5        | <b>H220 - 41 ... - 197N4</b> |
|   |         |               | 32                        | 11                            | 7,5        | <b>H226 - 41 ... - 197N4</b> |
|   |         |               | 40                        | 15                            | 11         | <b>H233 - 41 ... - 197N4</b> |

| SMD modules for basic switch A02                          |           |                     |
|---|-----------|---------------------|
| Mounting form module (switch module ED)                   | H200-A    | <b>BFA2 - ED</b>    |
| Mounting form module (switch module ED)                   | H200-D    | <b>BFC2 - ED</b>    |
| Enclosure module, mounting form 197N1                     | H200-A/-D | <b>SBH2 - 197N1</b> |
| Enclosure module, mounting form 197N4                     | H200-A/-D | <b>SBH2 - 197N4</b> |
| <b>Accessories</b>  |           |                     |
| <b>Mounting brackets</b> for enclosure modules SB (1 set) |           | <b>SBX1</b>         |

| Dimensions (mm) |     |     |     |    |     |    |
|-----------------|-----|-----|-----|----|-----|----|
| Product lines   | H1  | B1  | T1  | T2 | H2  | B2 |
| H200-A          | 200 | 150 | 120 | 33 | 182 | 85 |
| H200-D          | 200 | 150 | 120 | 33 | 182 | 85 |

# Enclosed Switches



**Product lines  
H200-A/-D**

**Enclosed switch**

**Stainless steel enclosure**

200 × 150 × 120 mm

with cover interlock  
in ON position

with N/PE connection link

**197V1 (IP66)**

**197V4 (IP66)**

| Complete switch   | Poles   | Product lines | Rated data (IEC 60947)    |                               |            | Order code number            |
|---|---------|---------------|---------------------------|-------------------------------|------------|------------------------------|
|   |         |               | Operational current $I_e$ | Operational power at 380–440V |            |                              |
|   |         |               | AC-21A<br>A               | AC-23A<br>kW                  | AC-3<br>kW |                              |
| Main Switches<br>OFF position padlockable 09h               | 3 ... 8 | H200-A/-D     | 20                        | 5,5                           | 3,7        | <b>H216 - 41 ... - 197V1</b> |
|   |         |               | 25                        | 7,5                           | 5,5        | <b>H220 - 41 ... - 197V1</b> |
|   |         |               | 32                        | 11                            | 7,5        | <b>H226 - 41 ... - 197V1</b> |
|   |         |               | 40                        | 15                            | 11         | <b>H233 - 41 ... - 197V1</b> |
| Main/Emergency-Off Switches<br>OFF position padlockable 09h | 3 ... 8 | H200-A/-D     | 20                        | 5,5                           | 3,7        | <b>H216 - 41 ... - 197V4</b> |
|   |         |               | 25                        | 7,5                           | 5,5        | <b>H220 - 41 ... - 197V4</b> |
|   |         |               | 32                        | 11                            | 7,5        | <b>H226 - 41 ... - 197V4</b> |
|   |         |               | 40                        | 15                            | 11         | <b>H233 - 41 ... - 197V4</b> |

### SMD modules for basic switch A02

Mounting form module (switch module ED)  
Mounting form module (switch module ED)

H200-A  
H200-D

**BFA2 - ED**  
**BFC2 - ED**

Enclosure module, mounting form 197V1  
Enclosure module, mounting form 197V4

H200-A/-D  
H200-A/-D

**SBH2 - 197V1**  
**SBH2 - 197V4**

Legend plate silver, enclosure module 197V1  
Legend plate yellow, enclosure module 197V4

H200-A/-D  
H200-A/-D

**FAS4 - 9...** (FA number)  
**FBS4 - 9...** (FA number)

### Accessories

**Mounting brackets** for enclosure modules SB (1 set)

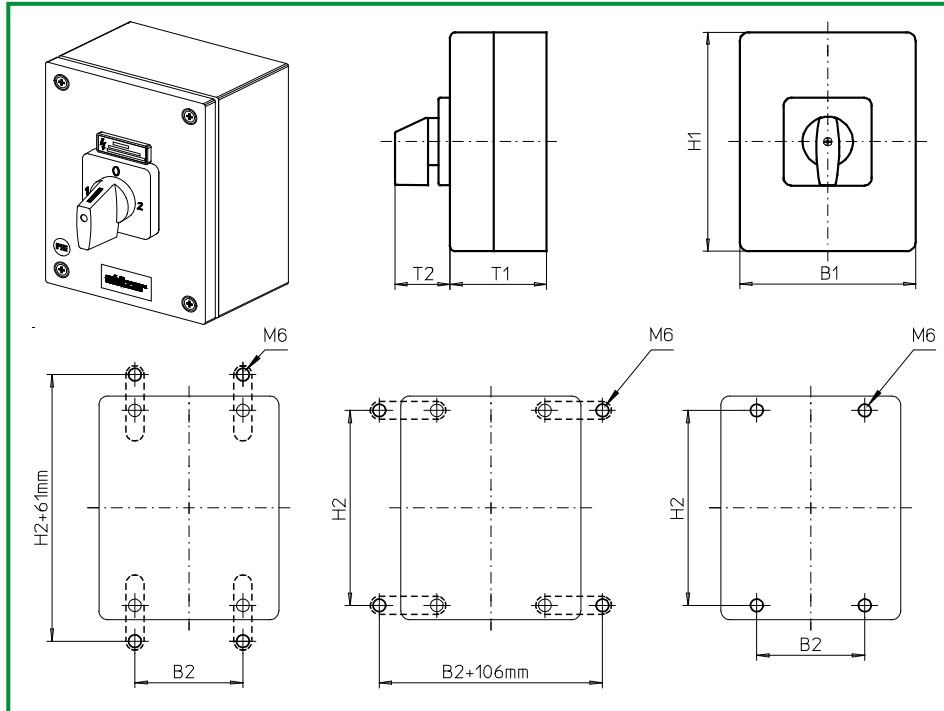
**SBX1**

### Dimensions (mm)

| Product lines | H1  | B1  | T1  | T2 | H2  | B2 |
|---------------|-----|-----|-----|----|-----|----|
| H200-A        | 200 | 150 | 120 | 39 | 182 | 85 |
| H200-D        | 200 | 150 | 120 | 39 | 182 | 85 |

# Enclosed Switches

# sälzer



**Product line  
H200-E**

**Enclosed switch**

**Stainless steel enclosure**

200 × 150 × 120 mm

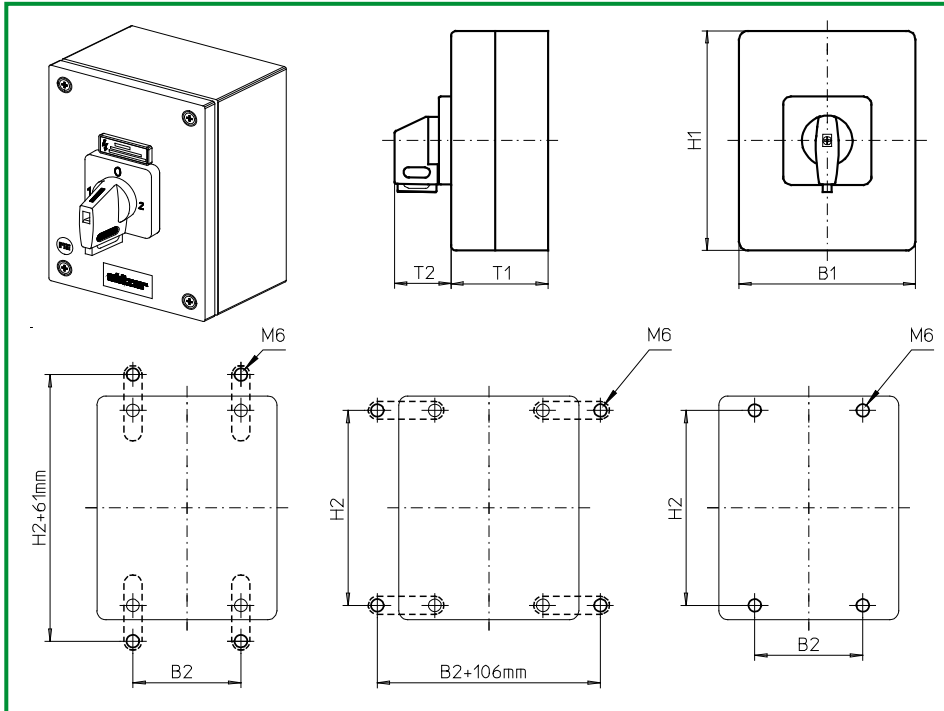
with cover interlock  
in ON position

with N/PE connection link

**198M1** (IP66)

| Complete switch                                    | Poles     | Product lines | Rated data (IEC 60947)             |                               |            | Order code number              |
|--|-----------|---------------|------------------------------------|-------------------------------|------------|--------------------------------|
|  |           |               | Operational current I <sub>e</sub> | Operational power at 380–440V |            |                                |
|  |           |               | AC-21A<br>A                        | AC-23A<br>kW                  | AC-3<br>kW |                                |
| Changeover with OFF<br>Switching angle 90°         | 3 ... 4   | H200-E        | 20                                 | 5,5                           | 3,7        | <b>H216 - 71 ... - 198M1</b>   |
|  |           |               | 25                                 | 7,5                           | 5,5        | <b>H220 - 71 ... - 198M1</b>   |
|  |           |               | 32                                 | 11                            | 7,5        | <b>H226 - 71 ... - 198M1</b>   |
|  |           |               | 40                                 | 15                            | 11         | <b>H233 - 71 ... - 198M1</b>   |
| <b>SMD modules for basic switch A02</b>            |           |               |                                    |                               |            |                                |
| Mounting form module (switch module ED)            |           |               |                                    | H200-E                        |            | <b>BFB2 - ED</b>               |
| Enclosure module, mounting form 198M1              |           |               |                                    | H200-E                        |            | <b>SBH2 - 198M1</b>            |
| Legend plate silver, enclosure module 198M1        |           |               |                                    | H200-E                        |            | <b>FAS4 - 9...</b> (FA number) |
| <b>Accessories</b>                                 |           |               |                                    |                               |            |                                |
| Mounting brackets for enclosure modules SB (1 set) |           |               |                                    |                               |            | <b>SBX1</b>                    |
| <b>Dimensions (mm)</b>                             |           |               |                                    |                               |            |                                |
| <b>Product line</b>                                | <b>H1</b> | <b>B1</b>     | <b>T1</b>                          | <b>T2</b>                     | <b>H2</b>  | <b>B2</b>                      |
| H200-E   | 200       | 150           | 120                                | 39                            | 182        | 85                             |

# Enclosed Switches



**Product line  
H200-E**

**Enclosed switch**

**Stainless steel enclosure**

200 × 150 × 120 mm

with cover interlock  
in ON position

with N/PE connection link

**196V1 (IP66)**

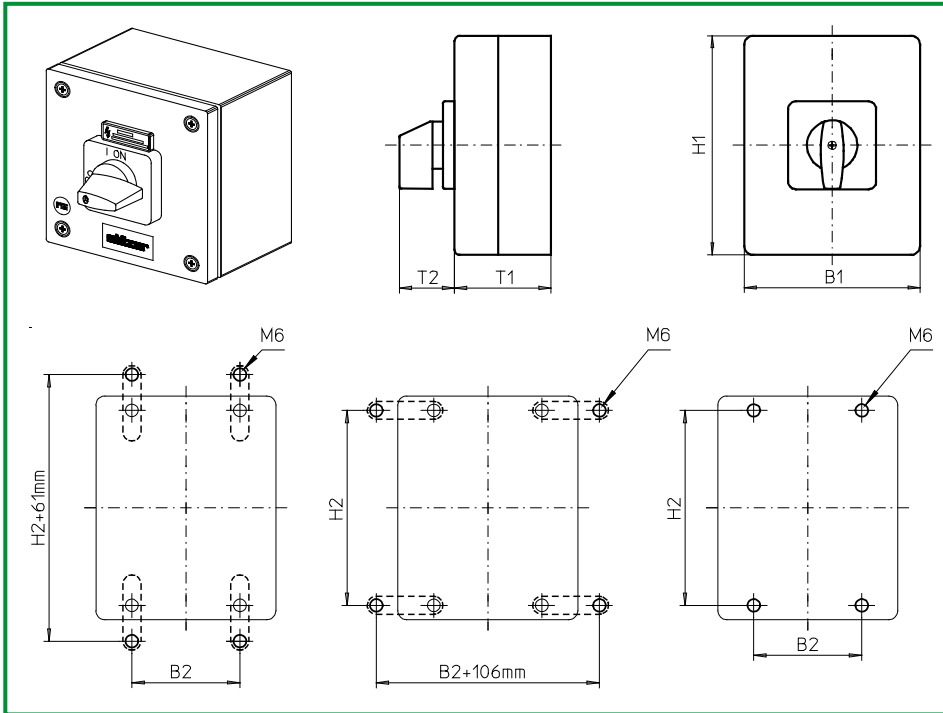
**198V1 (IP66)**

| Complete switch  | Poles   | Product lines | Rated data (IEC 60947)    |                               |            | Order code number            |
|--|---------|---------------|---------------------------|-------------------------------|------------|------------------------------|
|  |         |               | Operational current $I_e$ | Operational power at 380–440V |            |                              |
|  |         |               | AC-21A<br>A               | AC-23A<br>kW                  | AC-3<br>kW |                              |
| Changeover with OFF<br>Switching angle 90°<br>OFF position padlockable 12h             | 3 ... 4 | H200-E        | 20                        | 5,5                           | 3,7        | <b>H216 - 71 ... - 196V1</b> |
|  |         |               | 25                        | 7,5                           | 5,5        | <b>H220 - 71 ... - 196V1</b> |
|  |         |               | 32                        | 11                            | 7,5        | <b>H226 - 71 ... - 196V1</b> |
|  |         |               | 40                        | 15                            | 11         | <b>H233 - 71 ... - 196V1</b> |
| Changeover with OFF<br>Switching angle 90°<br>3 positions padlockable<br>(09h/12h/03h) | 3 ... 4 | H200-E        | 20                        | 5,5                           | 3,7        | <b>H216 - 71 ... - 198V1</b> |
|  |         |               | 25                        | 7,5                           | 5,5        | <b>H220 - 71 ... - 198V1</b> |
|  |         |               | 32                        | 11                            | 7,5        | <b>H226 - 71 ... - 198V1</b> |
|  |         |               | 40                        | 15                            | 11         | <b>H233 - 71 ... - 198V1</b> |

| SMD modules for basic switch A02   |        |                                |
|--|--------|--------------------------------|
| Mounting form module (switch module ED)                                  | H200-E | <b>BFB2 - ED</b>               |
| Enclosure module, mounting form 196V1                                    | H200-E | <b>SBH2 - 196V1</b>            |
| Enclosure module, mounting form 198V1                                    | H200-E | <b>SBH2 - 198V1</b>            |
| Legend plate silver, enclosure module 196V1/198V1                        | H200-E | <b>FAS4 - 9...</b> (FA number) |
| <b>Accessories</b><br>Mounting brackets for enclosure modules SB (1 set) |        | <b>SBX1</b>                    |

| Dimensions (mm) |     |     |     |    |     |    |
|-----------------|-----|-----|-----|----|-----|----|
| Product line    | H1  | B1  | T1  | T2 | H2  | B2 |
| H200-E          | 200 | 150 | 120 | 39 | 182 | 85 |

# Enclosed Switches



**Product line  
H200-A**

**Enclosed switch**

**Stainless steel  
enclosure  
brushed**

150 × 150 × 120 mm

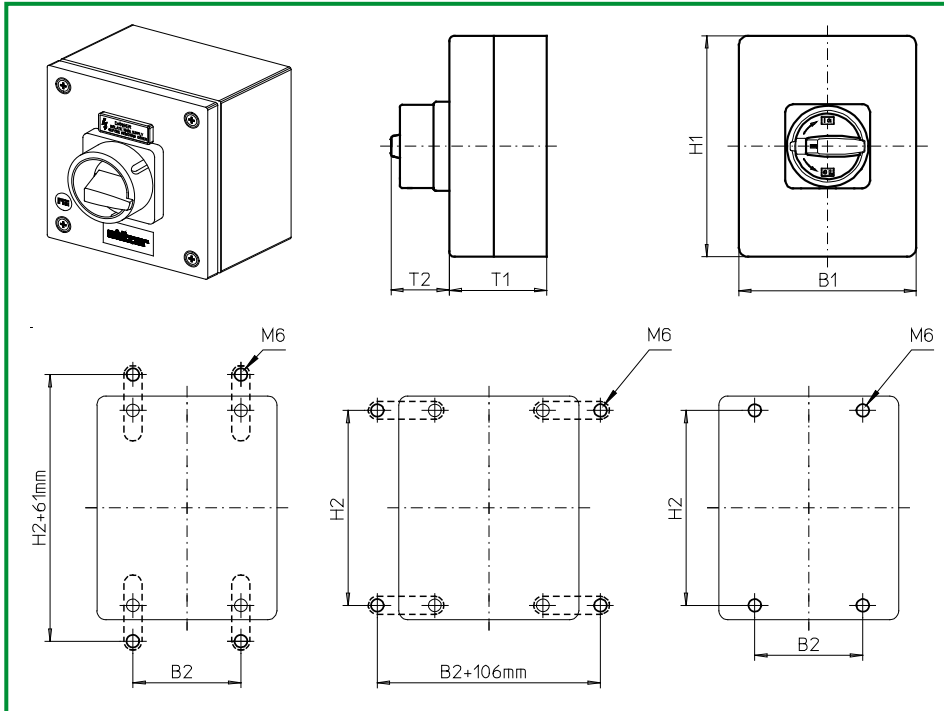
with cover interlock  
in ON position

with PE connection link  
without N connection link

**596M1** (IP66)

| Complete switch   | Poles   | Product lines | Rated data (IEC 60947)             |                               |            | Order code number            |              |    |    |    |    |    |    |        |     |     |     |    |     |    |
|---|---------|---------------|------------------------------------|-------------------------------|------------|------------------------------|--------------|----|----|----|----|----|----|--------|-----|-----|-----|----|-----|----|
|   |         |               | Operational current I <sub>e</sub> | Operational power at 380–440V |            |                              |              |    |    |    |    |    |    |        |     |     |     |    |     |    |
|   |         |               | AC-21A<br>A                        | AC-23A<br>kW                  | AC-3<br>kW |                              |              |    |    |    |    |    |    |        |     |     |     |    |     |    |
| ON-OFF Switches<br>Switching angle 90°  | 3 ... 4 | H200-A        | 20                                 | 5,5                           | 3,7        | <b>H216 - 41 ... - 596M1</b> |              |    |    |    |    |    |    |        |     |     |     |    |     |    |
|   |         |               | 25                                 | 7,5                           | 5,5        | <b>H220 - 41 ... - 596M1</b> |              |    |    |    |    |    |    |        |     |     |     |    |     |    |
|   |         |               | 32                                 | 11                            | 7,5        | <b>H226 - 41 ... - 596M1</b> |              |    |    |    |    |    |    |        |     |     |     |    |     |    |
| <p>Realisable switching programmes:<br/>                 2 pole      41200, 41211, 41220<br/>                 4 pole      41400, 41411, 41420</p>   |         |               |                                    |                               |            |                              |              |    |    |    |    |    |    |        |     |     |     |    |     |    |
| <p><b>SMD modules for basic switch A02</b></p> <p>Mounting form module (switch module ED)      H200-A      <b>BFA2 - ED</b></p> <p>Enclosure module, mounting form 596M1      <b>SBH2 - 596M1</b></p> <p>Legend plate silver, enclosure module 596M1      <b>FAS4 - 9...</b> (FA number)</p> <p><b>Mounting brackets</b> for enclosure modules SB (1 set)<br/>(Please order separately – see accessories, page D5-2)      <b>SBX1</b></p> |         |               |                                    |                               |            |                              |              |    |    |    |    |    |    |        |     |     |     |    |     |    |
| <p><b>Dimensions (mm)</b></p> <table border="1"> <thead> <tr> <th>Product line</th> <th>H1</th> <th>B1</th> <th>T1</th> <th>T2</th> <th>H2</th> <th>B2</th> </tr> </thead> <tbody> <tr> <td>H200-A</td> <td>150</td> <td>150</td> <td>120</td> <td>39</td> <td>132</td> <td>85</td> </tr> </tbody> </table>   |         |               |                                    |                               |            |                              | Product line | H1 | B1 | T1 | T2 | H2 | B2 | H200-A | 150 | 150 | 120 | 39 | 132 | 85 |
| Product line  | H1      | B1            | T1                                 | T2                            | H2         | B2                           |              |    |    |    |    |    |    |        |     |     |     |    |     |    |
| H200-A  | 150     | 150           | 120                                | 39                            | 132        | 85                           |              |    |    |    |    |    |    |        |     |     |     |    |     |    |

# Enclosed Switches



**Product line  
H200-A**

**Enclosed switch**

**Stainless steel  
enclosure  
brushed**

150 × 150 × 120 mm

with cover interlock  
in ON position

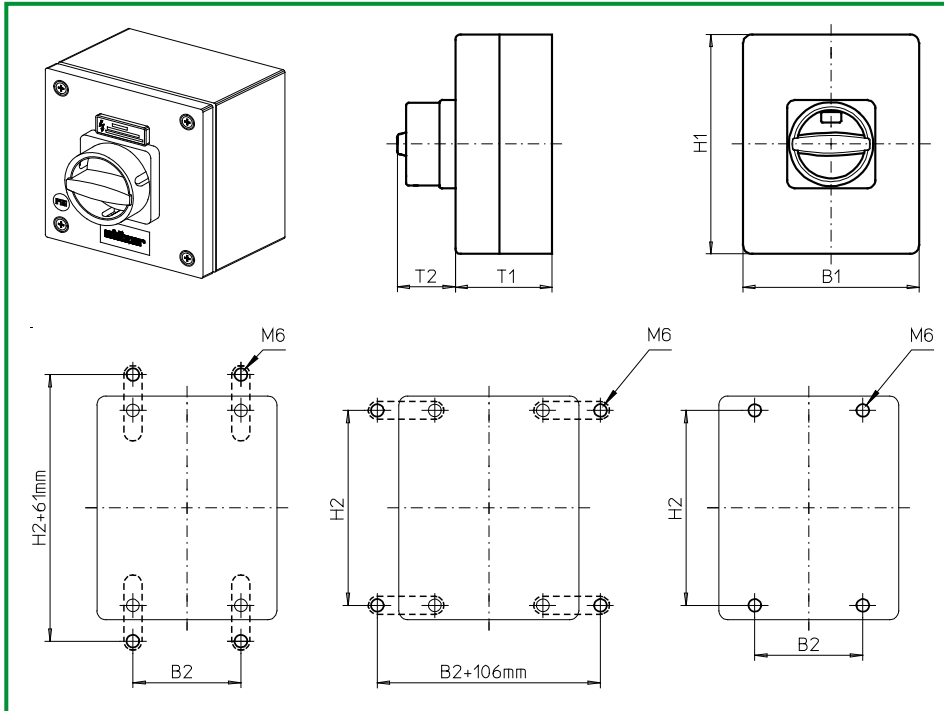
with PE connection link  
without N connection link

**597M1** (IP66)

**597M4** (IP66)

| Complete switch   | Poles               | Product lines | Rated data (IEC 60947)             |                               |              | Order code number            |
|---|---------------------|---------------|------------------------------------|-------------------------------|--------------|------------------------------|
|   |                     |               | Operational current I <sub>e</sub> | Operational power at 380–440V |              |                              |
|   |                     |               | AC-21A<br>A                        | AC-23A<br>kW                  | AC-3<br>kW   |                              |
| Main Switches<br>OFF position padlockable 09h   | 3 ... 4             | H200-A        | 20                                 | 5,5                           | 3,7          | <b>H216 - 41 ... - 597M1</b> |
|   |                     |               | 25                                 | 7,5                           | 5,5          | <b>H220 - 41 ... - 597M1</b> |
|   |                     |               | 32                                 | 11                            | 7,5          | <b>H226 - 41 ... - 597M1</b> |
| Main/Emergency-Off Switches<br>OFF position padlockable 09h   | 3 ... 4             | H200-A        | 20                                 | 5,5                           | 3,7          | <b>H216 - 41 ... - 597M4</b> |
|   |                     |               | 25                                 | 7,5                           | 5,5          | <b>H220 - 41 ... - 597M4</b> |
|   |                     |               | 32                                 | 11                            | 7,5          | <b>H226 - 41 ... - 597M4</b> |
| Realisable switching programmes:  |                     |               |                                    |                               |              |                              |
| 2 pole  | 41200, 41211, 41220 |               |                                    |                               |              |                              |
| 4 pole  | 41400, 41411, 41420 |               |                                    |                               |              |                              |
| <b>SMD modules for basic switch A02</b>   |                     |               |                                    |                               |              |                              |
| Mounting form module (switch module ED)   |                     |               |                                    | H200-A                        | BFA2 - ED    |                              |
| Enclosure module, mounting form 597M1   |                     |               |                                    |                               | SBH2 - 597M1 |                              |
| Enclosure module, mounting form 597M4   |                     |               |                                    |                               | SBH2 - 597M4 |                              |
| <b>Mounting brackets</b> for enclosure modules SB (1 set)<br>(Please order separately – see accessories, page D5-2) |                     |               |                                    |                               |              | SBX1                         |
| <b>Dimensions (mm)</b>  |                     |               |                                    |                               |              |                              |
| <b>Product line</b>   | <b>H1</b>           | <b>B1</b>     | <b>T1</b>                          | <b>T2</b>                     | <b>H2</b>    | <b>B2</b>                    |
| H200-A  | 150                 | 150           | 120                                | 38                            | 132          | 85                           |

# Enclosed Switches



**Product line  
H200-A**

**Enclosed switch**

**Stainless steel  
enclosure  
brushed**

150 × 150 × 120 mm

with cover interlock  
in ON position

with PE connection link  
without N connection link

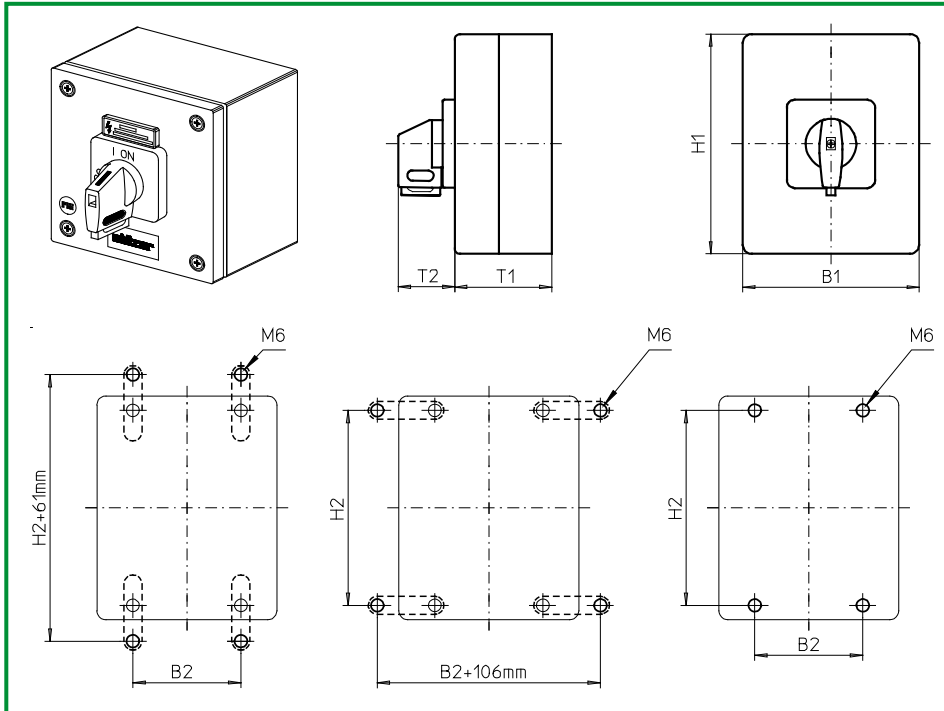
**597N1 (IP66)**

**597N4 (IP66)**

| Complete switch   | Poles               | Product lines | Rated data (IEC 60947)             |                               |            | Order code number            |
|---|---------------------|---------------|------------------------------------|-------------------------------|------------|------------------------------|
|   |                     |               | Operational current I <sub>e</sub> | Operational power at 380–440V |            |                              |
|   |                     |               | AC-21A<br>A                        | AC-23A<br>kW                  | AC-3<br>kW |                              |
| Main Switches<br>OFF position padlockable 12h   | 3 ... 4             | H200-A        | 20                                 | 5,5                           | 3,7        | <b>H216 - 41 ... - 597N1</b> |
|   |                     |               | 25                                 | 7,5                           | 5,5        | <b>H220 - 41 ... - 597N1</b> |
|   |                     |               | 32                                 | 11                            | 7,5        | <b>H226 - 41 ... - 597N1</b> |
| Main/Emergency-Off Switches<br>OFF position padlockable 12h   | 3 ... 4             | H200-A        | 20                                 | 5,5                           | 3,7        | <b>H216 - 41 ... - 597N4</b> |
|   |                     |               | 25                                 | 7,5                           | 5,5        | <b>H220 - 41 ... - 597N4</b> |
|   |                     |               | 32                                 | 11                            | 7,5        | <b>H226 - 41 ... - 597N4</b> |
| Realisable switching programmes:  |                     |               |                                    |                               |            |                              |
| 2 pole  | 41200, 41211, 41220 |               |                                    |                               |            |                              |
| 4 pole  | 41400, 41411, 41420 |               |                                    |                               |            |                              |
| <b>SMD modules for basic switch A02</b>   |                     |               |                                    |                               |            |                              |
| Mounting form module (switch module ED)   |                     |               | H200-A                             |                               |            | <b>BFA2 - ED</b>             |
| Enclosure module, mounting form 597N1   |                     |               |                                    |                               |            | <b>SBH2 - 597N1</b>          |
| Enclosure module, mounting form 597N4   |                     |               |                                    |                               |            | <b>SBH2 - 597N4</b>          |
| <b>Mounting brackets</b> for enclosure modules SB (1 set)<br>(Please order separately – see accessories, page D5-2) |                     |               |                                    |                               |            | <b>SBX1</b>                  |
| <b>Dimensions (mm)</b>  |                     |               |                                    |                               |            |                              |
| <b>Product line</b>   | <b>H1</b>           | <b>B1</b>     | <b>T1</b>                          | <b>T2</b>                     | <b>H2</b>  | <b>B2</b>                    |
| H200-A  | 150                 | 150           | 120                                | 33                            | 132        | 85                           |



# Enclosed Switches



**Product line  
H200-A**

**Enclosed switch**

**Stainless steel  
enclosure  
brushed**

150 × 150 × 120 mm

with cover interlock  
in ON position

with PE connection link  
without N connection link

**597V1 (IP66)**

**597V4 (IP66)**

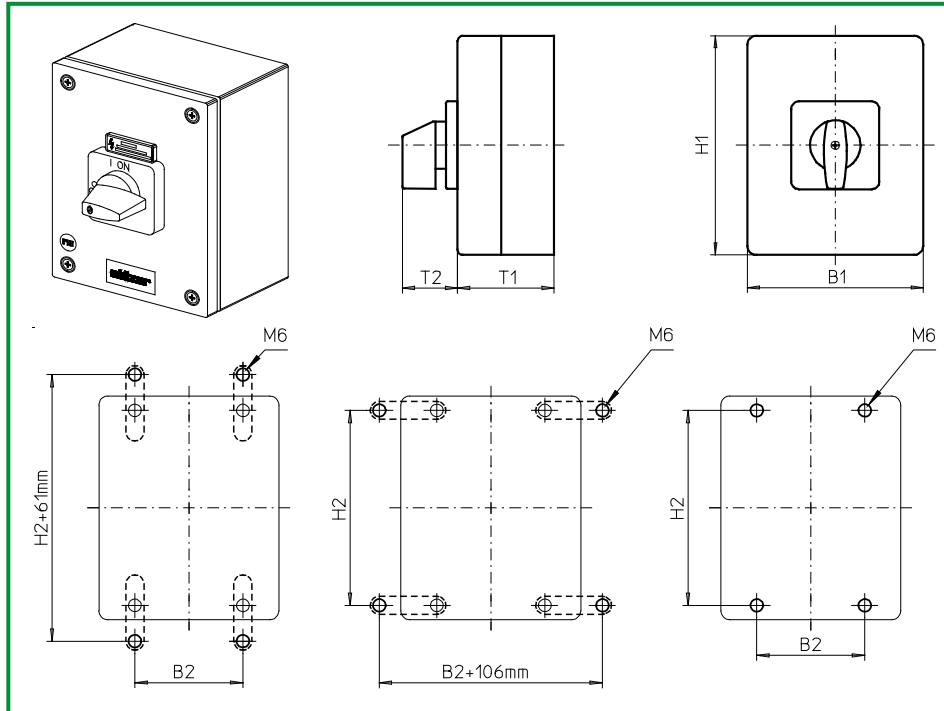
| Complete switch   | Poles   | Product lines | Rated data (IEC 60947)             |                               |            | Order code number            |
|---|---------|---------------|------------------------------------|-------------------------------|------------|------------------------------|
|   |         |               | Operational current I <sub>e</sub> | Operational power at 380–440V |            |                              |
|   |         |               | AC-21A<br>A                        | AC-23A<br>kW                  | AC-3<br>kW |                              |
| Main Switches<br>OFF position padlockable 09h               | 3 ... 4 | H200-A        | 20                                 | 5,5                           | 3,7        | <b>H216 - 41 ... - 597V1</b> |
|   |         |               | 25                                 | 7,5                           | 5,5        | <b>H220 - 41 ... - 597V1</b> |
|   |         |               | 32                                 | 11                            | 7,5        | <b>H226 - 41 ... - 597V1</b> |
| Main/Emergency-Off Switches<br>OFF position padlockable 09h | 3 ... 4 | H200-A        | 20                                 | 5,5                           | 3,7        | <b>H216 - 41 ... - 597V4</b> |
|   |         |               | 25                                 | 7,5                           | 5,5        | <b>H220 - 41 ... - 597V4</b> |
|   |         |               | 32                                 | 11                            | 7,5        | <b>H226 - 41 ... - 597V4</b> |

Realisable switching programmes:  
 2 pole      41200, 41211, 41220  
 4 pole      41400, 41411, 41420

| SMD modules for basic switch A02  |  |        |                                |
|---|--|--------|--------------------------------|
| Mounting form module (switch module ED)   |  | H200-A | <b>BFA2 - ED</b>               |
| Enclosure module, mounting form 597V1   |  |        | <b>SBH2 - 597V1</b>            |
| Enclosure module, mounting form 597V4   |  |        | <b>SBH2 - 597V4</b>            |
| Legend plate silver, enclosure module 597V1   |  |        | <b>FAS4 - 9...</b> (FA number) |
| Legend plate yellow, enclosure module 597V4   |  |        | <b>FBS4 - 9...</b> (FA number) |
| <b>Mounting brackets</b> for enclosure modules SB (1 set)<br>(Please order separately – see accessories, page D5-2) |  |        | <b>SBX1</b>                    |

| Dimensions (mm) |     |     |     |    |     |    |  |
|-----------------|-----|-----|-----|----|-----|----|--|
| Product line    | H1  | B1  | T1  | T2 | H2  | B2 |  |
| H200-A          | 150 | 150 | 120 | 39 | 132 | 85 |  |

# Enclosed Switches



**Product lines**  
**H200-A/-D**

**Enclosed switch**

**Stainless steel enclosure brushed**

200 × 150 × 120 mm

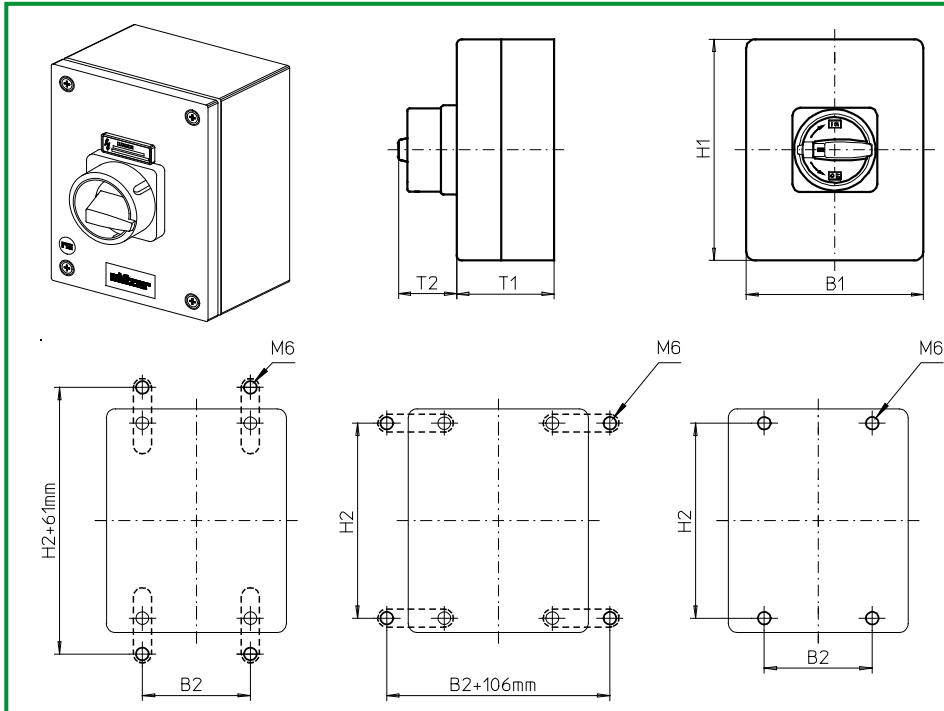
with cover interlock in ON position

with PE connection link without N connection link

**696M1** (IP66)

| Complete switch   | Poles     | Product lines      | Rated data (IEC 60947)    |                               |            | Order code number              |
|---|-----------|--------------------|---------------------------|-------------------------------|------------|--------------------------------|
|   |           |                    | Operational current $I_e$ | Operational power at 380–440V |            |                                |
|   |           |                    | AC-21A<br>A               | AC-23A<br>kW                  | AC-3<br>kW |                                |
| ON-OFF Switches<br>Switching angle 90°  | 3 ... 8   | H200 -A<br>H200 -D | 20                        | 5,5                           | 3,7        | <b>H216 - 41 ... - 696M1</b>   |
|   |           |                    | 25                        | 7,5                           | 5,5        | <b>H220 - 41 ... - 696M1</b>   |
|   |           |                    | 32                        | 11                            | 7,5        | <b>H226 - 41 ... - 696M1</b>   |
|   |           |                    | 40                        | 15                            | 11         | <b>H233 - 41 ... - 696M1</b>   |
| <b>SMD modules for basic switch A02</b>   |           |                    |                           |                               |            |                                |
| Mounting form module (switch module ED)   |           |                    | H200-A                    |                               |            | <b>BFA2 - ED</b>               |
| Mounting form module (switch module ED)   |           |                    | H200-D                    |                               |            | <b>BFC2 - ED</b>               |
| Enclosure module, mounting form 696M1   |           |                    | H200-A/-D                 |                               |            | <b>SBH2 - 696M1</b>            |
| Legend plate silver, enclosure module 696M1   |           |                    | H200-A/-D                 |                               |            | <b>FAS4 - 9...</b> (FA number) |
| <b>Mounting brackets</b> for enclosure modules SB (1 set)<br>(Please order separately – see accessories, page D5-2) |           |                    |                           |                               |            | <b>SBX1</b>                    |
| <b>Dimensions (mm)</b>  |           |                    |                           |                               |            |                                |
| <b>Product lines</b>  | <b>H1</b> | <b>B1</b>          | <b>T1</b>                 | <b>T2</b>                     | <b>H2</b>  | <b>B2</b>                      |
| H200-A  | 200       | 150                | 120                       | 39                            | 182        | 85                             |
| H200-D  | 200       | 150                | 120                       | 39                            | 182        | 85                             |

# Enclosed Switches



**Product lines**  
**H200-A/-D**

**Enclosed switch**

**Stainless steel enclosure brushed**

200 × 150 × 120 mm

with cover interlock in ON position

with PE connection link without N connection link

**697M1** (IP66)

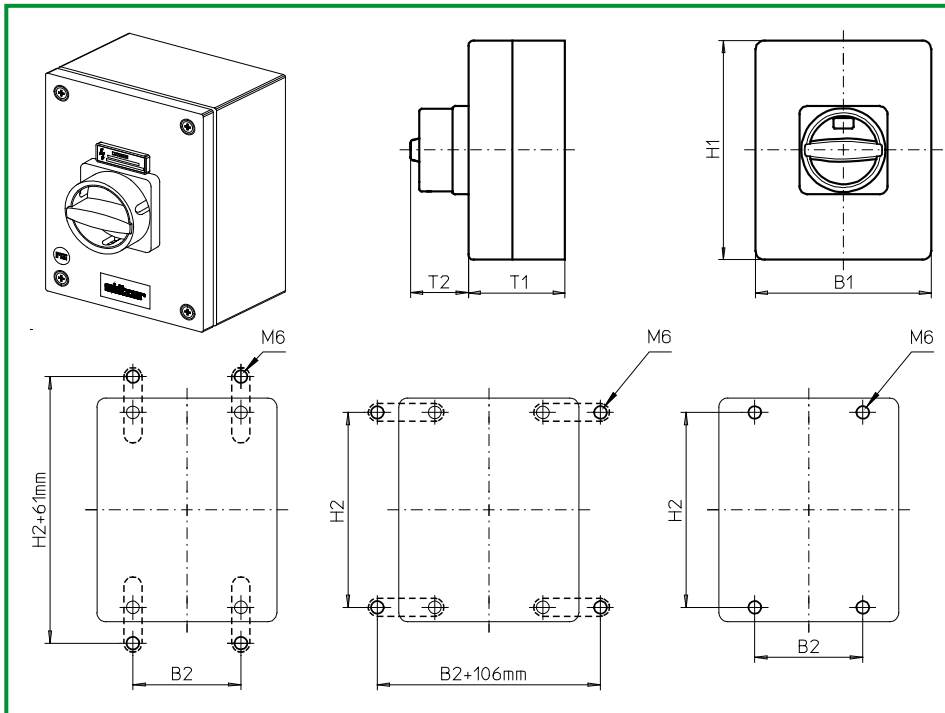
**697M4** (IP66)

| Complete switch   | Poles   | Product lines | Rated data (IEC 60947)             |                               |            | Order code number            |
|---|---------|---------------|------------------------------------|-------------------------------|------------|------------------------------|
|   |         |               | Operational current I <sub>e</sub> | Operational power at 380–440V |            |                              |
|   |         |               | AC-21A<br>A                        | AC-23A<br>kW                  | AC-3<br>kW |                              |
| Main Switches<br>OFF position padlockable 09h               | 3 ... 8 | H200 -A       | 20                                 | 5,5                           | 3,7        | <b>H216 - 41 ... - 697M1</b> |
|   |         | H200 -D       | 25                                 | 7,5                           | 5,5        | <b>H220 - 41 ... - 697M1</b> |
|   |         |               | 32                                 | 11                            | 7,5        | <b>H226 - 41 ... - 697M1</b> |
|   |         |               | 40                                 | 15                            | 11         | <b>H233 - 41 ... - 697M1</b> |
| Main/Emergency-Off Switches<br>OFF position padlockable 09h | 3 ... 8 | H200 -A       | 20                                 | 5,5                           | 3,7        | <b>H216 - 41 ... - 697M4</b> |
|   |         | H200 -D       | 25                                 | 7,5                           | 5,5        | <b>H220 - 41 ... - 697M4</b> |
|   |         |               | 32                                 | 11                            | 7,5        | <b>H226 - 41 ... - 697M4</b> |
|   |         |               | 40                                 | 15                            | 11         | <b>H233 - 41 ... - 697M4</b> |

| SMD modules for basic switch A02  |           |                     |
|---|-----------|---------------------|
| Mounting form module (switch module ED)   | H200-A    | <b>BFA2 - ED</b>    |
| Mounting form module (switch module ED)   | H200-D    | <b>BFC2 - ED</b>    |
| Enclosure module, mounting form 697M1   | H200-A/-D | <b>SBH2 - 697M1</b> |
| Enclosure module, mounting form 697M4   | H200-A/-D | <b>SBH2 - 697M4</b> |
| <b>Mounting brackets</b> for enclosure modules SB (1 set)<br>(Please order separately – see accessories, page D5-2) |           | <b>SBX1</b>         |

| Dimensions (mm) |     |     |     |    |     |    |
|-----------------|-----|-----|-----|----|-----|----|
| Product lines   | H1  | B1  | T1  | T2 | H2  | B2 |
| H200-A          | 200 | 150 | 120 | 38 | 182 | 85 |
| H200-D          | 200 | 150 | 120 | 38 | 182 | 85 |

# Enclosed Switches



**Product lines**  
**H200-A/-D**

**Enclosed switch**

**Stainless steel enclosure brushed**

200 × 150 × 120 mm

with cover interlock in ON position

with PE connection link without N connection link

**697N1 (IP66)**

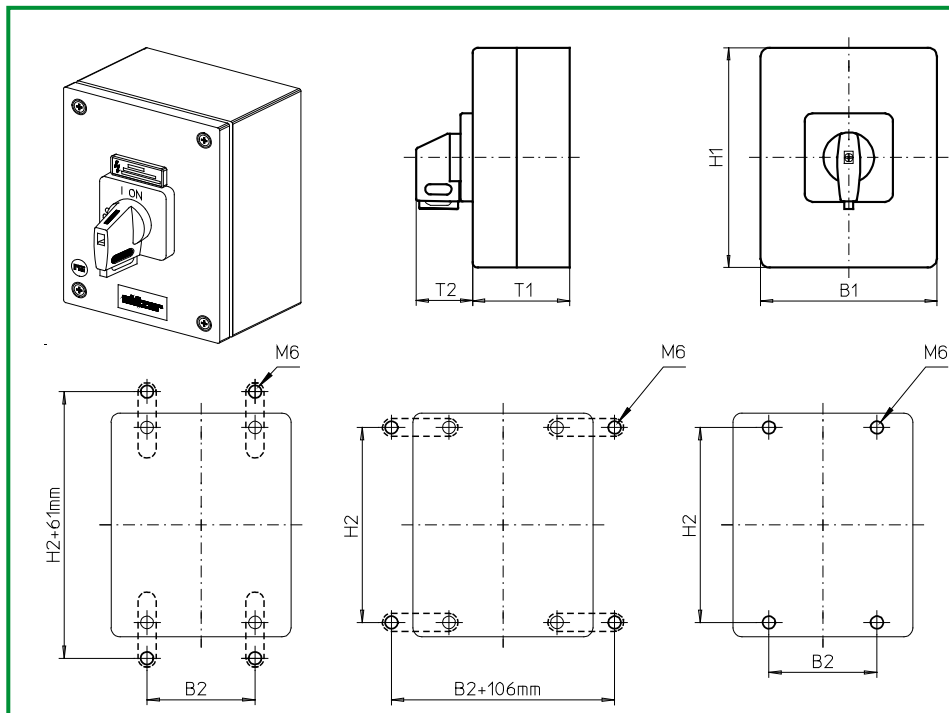
**697N4 (IP66)**

| Complete switch   | Poles   | Product lines | Rated data (IEC 60947)             |                               |            | Order code number            |
|---|---------|---------------|------------------------------------|-------------------------------|------------|------------------------------|
|   |         |               | Operational current I <sub>e</sub> | Operational power at 380–440V |            |                              |
|   |         |               | AC-21A<br>A                        | AC-23A<br>kW                  | AC-3<br>kW |                              |
| Main Switches<br>OFF position padlockable 12h               | 3 ... 8 | H200 -A       | 20                                 | 5,5                           | 3,7        | <b>H216 - 41 ... - 697N1</b> |
|   |         | H200 -D       | 25                                 | 7,5                           | 5,5        | <b>H220 - 41 ... - 697N1</b> |
|   |         |               | 32                                 | 11                            | 7,5        | <b>H226 - 41 ... - 697N1</b> |
|   |         |               | 40                                 | 15                            | 11         | <b>H233 - 41 ... - 697N1</b> |
| Main/Emergency-Off Switches<br>OFF position padlockable 12h | 3 ... 8 | H200 -A       | 20                                 | 5,5                           | 3,7        | <b>H216 - 41 ... - 697N4</b> |
|   |         | H200 -D       | 25                                 | 7,5                           | 5,5        | <b>H220 - 41 ... - 697N4</b> |
|   |         |               | 32                                 | 11                            | 7,5        | <b>H226 - 41 ... - 697N4</b> |
|   |         |               | 40                                 | 15                            | 11         | <b>H233 - 41 ... - 697N4</b> |

| SMD modules for basic switch A02  |           |                     |
|---|-----------|---------------------|
| Mounting form module (switch module ED)   | H200-A    | <b>BFA2 - ED</b>    |
| Mounting form module (switch module ED)   | H200-D    | <b>BFC2 - ED</b>    |
| Enclosure module, mounting form 697N1   | H200-A/-D | <b>SBH2 - 697N1</b> |
| Enclosure module, mounting form 697N4   | H200-A/-D | <b>SBH2 - 697N4</b> |
| <b>Mounting brackets</b> for enclosure modules SB (1 set)<br>(Please order separately – see accessories, page D5-2) |           | <b>SBX1</b>         |

| Dimensions (mm) |     |     |     |    |     |    |  |
|-----------------|-----|-----|-----|----|-----|----|--|
| Product lines   | H1  | B1  | T1  | T2 | H2  | B2 |  |
| H200-A          | 200 | 150 | 120 | 33 | 182 | 85 |  |
| H200-D          | 200 | 150 | 120 | 33 | 182 | 85 |  |

# Enclosed Switches



**Product lines**  
**H200-A/-D**

**Enclosed switch**

**Stainless steel enclosure brushed**

200 × 150 × 120 mm

with cover interlock in ON position

with PE connection link without N connection link

**697V1 (IP66)**

**697V4 (IP66)**

| Complete switch   | Poles   | Product lines | Rated data (IEC 60947)             |                               |            | Order code number            |
|---|---------|---------------|------------------------------------|-------------------------------|------------|------------------------------|
|   |         |               | Operational current I <sub>e</sub> | Operational power at 380–440V |            |                              |
|   |         |               | AC-21A<br>A                        | AC-23A<br>kW                  | AC-3<br>kW |                              |
| Main Switches<br>OFF position padlockable 09h               | 3 ... 8 | H200 -A       | 20                                 | 5,5                           | 3,7        | <b>H216 - 41 ... - 697V1</b> |
|   |         | H200 -D       | 25                                 | 7,5                           | 5,5        | <b>H220 - 41 ... - 697V1</b> |
|   |         |               | 32                                 | 11                            | 7,5        | <b>H226 - 41 ... - 697V1</b> |
|   |         |               | 40                                 | 15                            | 11         | <b>H233 - 41 ... - 697V1</b> |
| Main/Emergency-Off Switches<br>OFF position padlockable 09h | 3 ... 8 | H200 -A       | 20                                 | 5,5                           | 3,7        | <b>H216 - 41 ... - 697V4</b> |
|   |         | H200 -D       | 25                                 | 7,5                           | 5,5        | <b>H220 - 41 ... - 697V4</b> |
|   |         |               | 32                                 | 11                            | 7,5        | <b>H226 - 41 ... - 697V4</b> |
|   |         |               | 40                                 | 15                            | 11         | <b>H233 - 41 ... - 697V4</b> |

### SMD modules for basic switch A02

Mounting form module (switch module ED)

H200-A  
H200-D  
H200-A/-D  
H200-A/-D  
H200-A/-D  
H200-A/-D

**BFA2 - ED**  
**BFC2 - ED**

Enclosure module, mounting form 697V1

Enclosure module, mounting form 697V4

**SBH2 - 697V1**  
**SBH2 - 697V4**

Legend plate silver, enclosure module 697V1

Legend plate yellow, enclosure module 697V4

**FAS4 - 9...** (FA number)  
**FBS4 - 9...** (FA number)

**Mounting brackets** for enclosure modules SB (1 set)  
(Please order separately – see accessories, page D5-2)

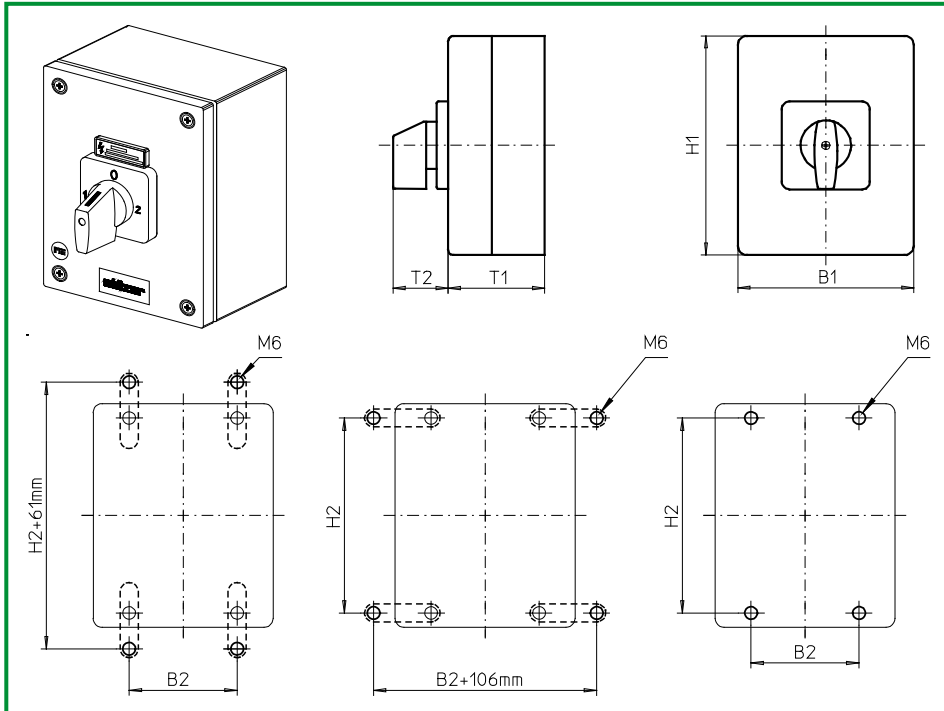
**SBX1**

### Dimensions (mm)

| Product lines | H1  | B1  | T1  | T2 | H2  | B2 |
|---------------|-----|-----|-----|----|-----|----|
| H200-A        | 200 | 150 | 120 | 39 | 182 | 85 |
| H200-D        | 200 | 150 | 120 | 39 | 182 | 85 |

# Enclosed Switches

**sälzer**



**Product line  
H200-E**

**Enclosed switch**

**Stainless steel  
enclosure  
brushed**

200 × 150 × 120 mm

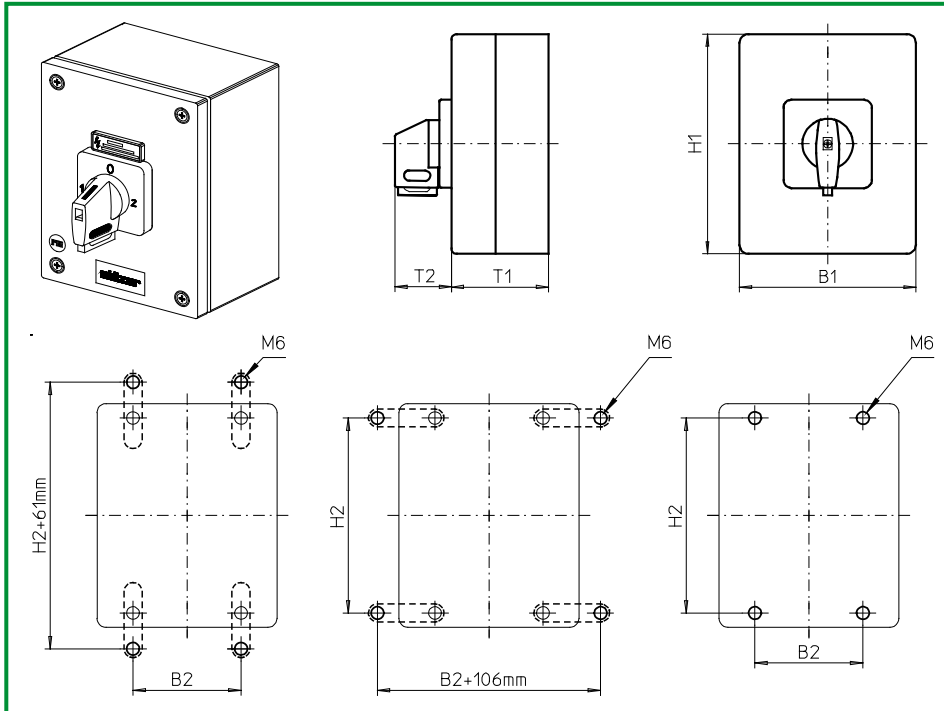
Cover interlock  
in position 1 and 2

with PE connection link  
without N connection link

**698M1** (IP66)

| Complete switch   | Poles     | Product lines | Rated data (IEC 60947)             |                               |            | Order code number              |
|---|-----------|---------------|------------------------------------|-------------------------------|------------|--------------------------------|
|   |           |               | Operational current I <sub>e</sub> | Operational power at 380–440V |            |                                |
|   |           |               | AC-21A<br>A                        | AC-23A<br>kW                  | AC-3<br>kW |                                |
| Changeover with OFF<br>Switching angle 90°  | 3 ... 4   | H200-E        | 20                                 | 5,5                           | 3,7        | <b>H216 - 71 ... - 698M1</b>   |
|   |           |               | 25                                 | 7,5                           | 5,5        | <b>H220 - 71 ... - 698M1</b>   |
|   |           |               | 32                                 | 11                            | 7,5        | <b>H226 - 71 ... - 698M1</b>   |
|   |           |               | 40                                 | 15                            | 11         | <b>H233 - 71 ... - 698M1</b>   |
| <b>SMD modules for basic switch A02</b>   |           |               |                                    |                               |            |                                |
| Mounting form module (switch module ED)   |           |               | H200-E                             |                               |            | <b>BFB2 - ED</b>               |
| Enclosure module, mounting form 698M1   |           |               |                                    |                               |            | <b>SBH2 - 698M1</b>            |
| Legend plate silver, enclosure module 698M1   |           |               |                                    |                               |            | <b>FAS4 - 9... (FA number)</b> |
| <b>Mounting brackets</b> for enclosure modules SB (1 set)<br>(Please order separately – see accessories, page D5-2) |           |               |                                    |                               |            | <b>SBX1</b>                    |
| <b>Dimensions (mm)</b>  |           |               |                                    |                               |            |                                |
| <b>Product line</b>   | <b>H1</b> | <b>B1</b>     | <b>T1</b>                          | <b>T2</b>                     | <b>H2</b>  | <b>B2</b>                      |
| H200-E  | 200       | 150           | 120                                | 39                            | 182        | 85                             |

# Enclosed Switches



**Product line  
H200-E**

**Enclosed switch**

**Stainless steel  
enclosure  
brushed**

200 × 150 × 120 mm

Cover interlock  
in position 1 and 2

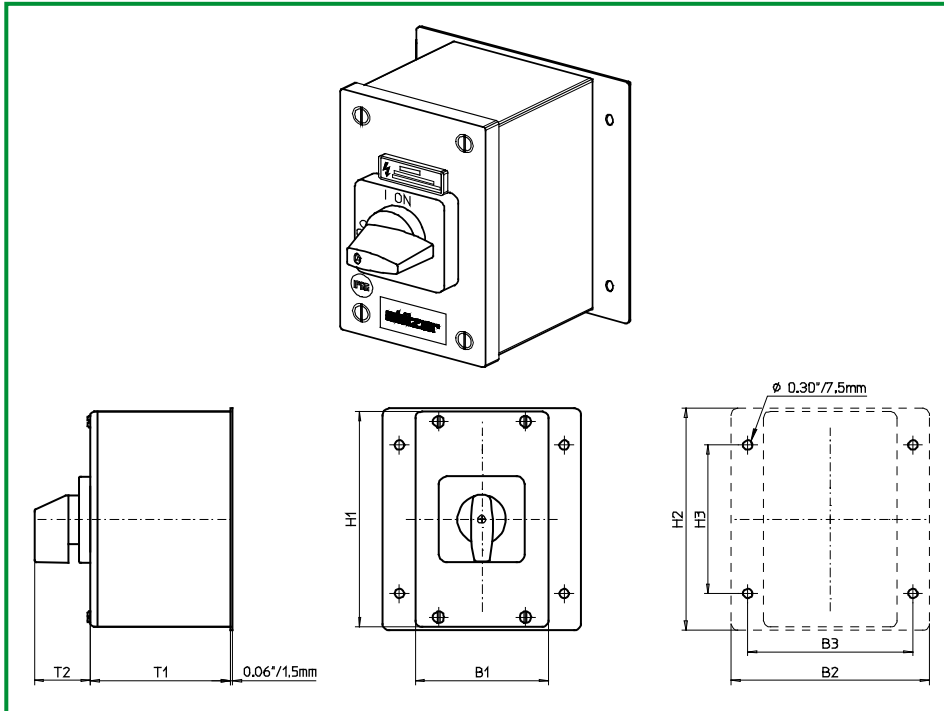
with PE connection link  
without N connection link

**696V1 (IP66)**

**698V1 (IP66)**

| Complete switch   | Poles     | Product lines | Rated data (IEC 60947)             |                               |            | Order code number              |
|---|-----------|---------------|------------------------------------|-------------------------------|------------|--------------------------------|
|   |           |               | Operational current I <sub>e</sub> | Operational power at 380–440V |            |                                |
|   |           |               | AC-21A<br>A                        | AC-23A<br>kW                  | AC-3<br>kW |                                |
| Changeover with OFF<br>Switching angle 90°<br>OFF position padlockable 12h  | 3 ... 4   | H200-E        | 20                                 | 5,5                           | 3,7        | <b>H216 - 71 ... - 696V1</b>   |
|   |           |               | 25                                 | 7,5                           | 5,5        | <b>H220 - 71 ... - 696V1</b>   |
|   |           |               | 32                                 | 11                            | 7,5        | <b>H226 - 71 ... - 696V1</b>   |
|   |           |               | 40                                 | 15                            | 11         | <b>H233 - 71 ... - 696V1</b>   |
| Changeover with OFF<br>Switching angle 90°<br>3 positions padlockable<br>(09h/12h/03h)                              | 3 ... 4   | H200-E        | 20                                 | 5,5                           | 3,7        | <b>H216 - 71 ... - 698V1</b>   |
|   |           |               | 25                                 | 7,5                           | 5,5        | <b>H220 - 71 ... - 698V1</b>   |
|   |           |               | 32                                 | 11                            | 7,5        | <b>H226 - 71 ... - 698V1</b>   |
|   |           |               | 40                                 | 15                            | 11         | <b>H233 - 71 ... - 698V1</b>   |
| <b>SMD modules for basic switch A02</b>   |           |               |                                    |                               |            |                                |
| Mounting form module (switch module ED)   |           |               | H200-E                             |                               |            | <b>BFB2 - ED</b>               |
| Enclosure module, mounting form 696V1   |           |               |                                    |                               |            | <b>SBH2 - 696V1</b>            |
| Enclosure module, mounting form 698V1   |           |               |                                    |                               |            | <b>SBH2 - 698V1</b>            |
| Legend plate silver, enclosure module 696V1/698V1   |           |               |                                    |                               |            | <b>FAS4 - 9...</b> (FA number) |
| <b>Mounting brackets</b> for enclosure modules SB (1 set)<br>(Please order separately – see accessories, page D5-2) |           |               |                                    |                               |            | <b>SBX1</b>                    |
| <b>Dimensions (mm)</b>  |           |               |                                    |                               |            |                                |
| <b>Product line</b>   | <b>H1</b> | <b>B1</b>     | <b>T1</b>                          | <b>T2</b>                     | <b>H2</b>  | <b>B2</b>                      |
| H200-E  | 200       | 150           | 120                                | 39                            | 182        | 85                             |

# Enclosed Switches



**Product line**  
**H200-A**

**Enclosed switch**

**Stainless steel enclosure**  
**polished**

160 × 100 × 105 mm

with cover interlock  
in ON position

with PE connection link  
without N connection link

**090M1** (IP66)

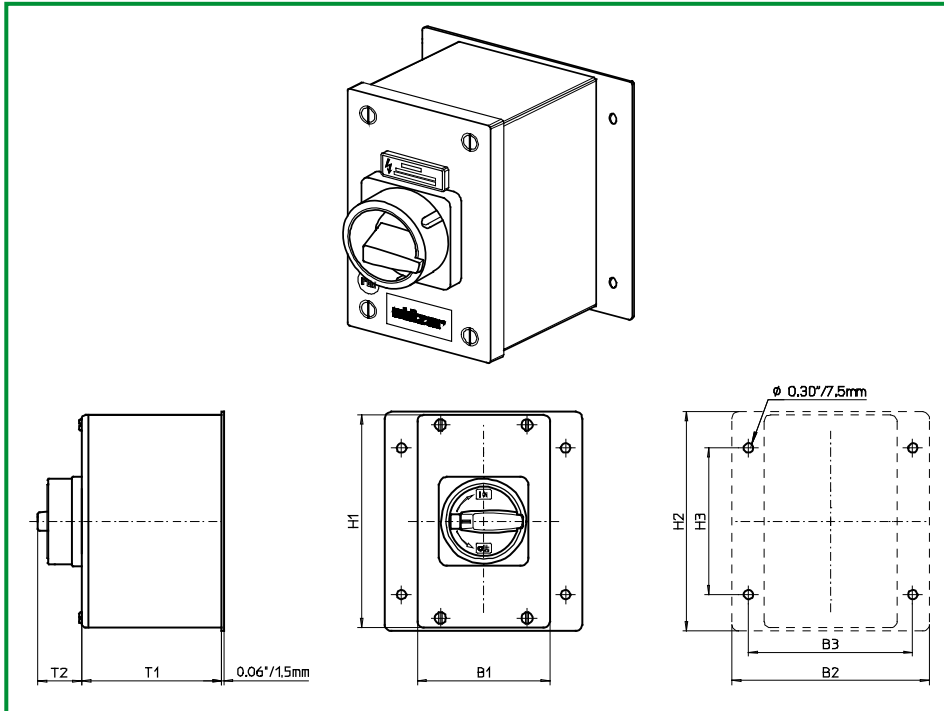
| Complete switch                        | Poles   | Product lines | Rated data (IEC 60947)    |                               |            | Order code number           |
|--|---------|---------------|---------------------------|-------------------------------|------------|-----------------------------|
|  |         |               | Operational current $I_e$ | Operational power at 380–440V |            |                             |
|  |         |               | AC-21A<br>A               | AC-23A<br>kW                  | AC-3<br>kW |                             |
| ON-OFF Switches<br>Switching angle 90° | 3 ... 4 | H200-A        | 20                        | 5,5                           | 3,7        | <b>H216 - 4.... - 090M1</b> |
|  |         |               | 25                        | 7,5                           | 5,5        | <b>H220 - 4.... - 090M1</b> |
|  |         |               | 32                        | 11                            | 7,5        | <b>H226 - 4.... - 090M1</b> |

| SMD modules for basic switch A02            |  |        |                                |
|---|--|--------|--------------------------------|
| Mounting form module for 090M1              |  | H200-A | <b>BFA2 - E9</b>               |
| Enclosure module, mounting form 090M1       |  |        | <b>SBH2 - 090M1</b>            |
| Legend plate silver, enclosure module 090M1 |  |        | <b>FAS4 - 9...</b> (FA number) |

| Dimensions (mm) |     |     |     |    |     |     |     |       |
|-----------------|-----|-----|-----|----|-----|-----|-----|-------|
| Product line    | H1  | B1  | T1  | T2 | H2  | H3  | B2  | B3    |
| H200-A          | 160 | 100 | 105 | 39 | 165 | 110 | 149 | 123,5 |



# Enclosed Switches



**Product line  
H200-A**

**Enclosed switch**

**Stainless steel  
enclosure  
polished**

160 × 100 × 105 mm

with cover interlock  
in ON position

with PE connection link  
without N connection link

**092M1** (IP66)

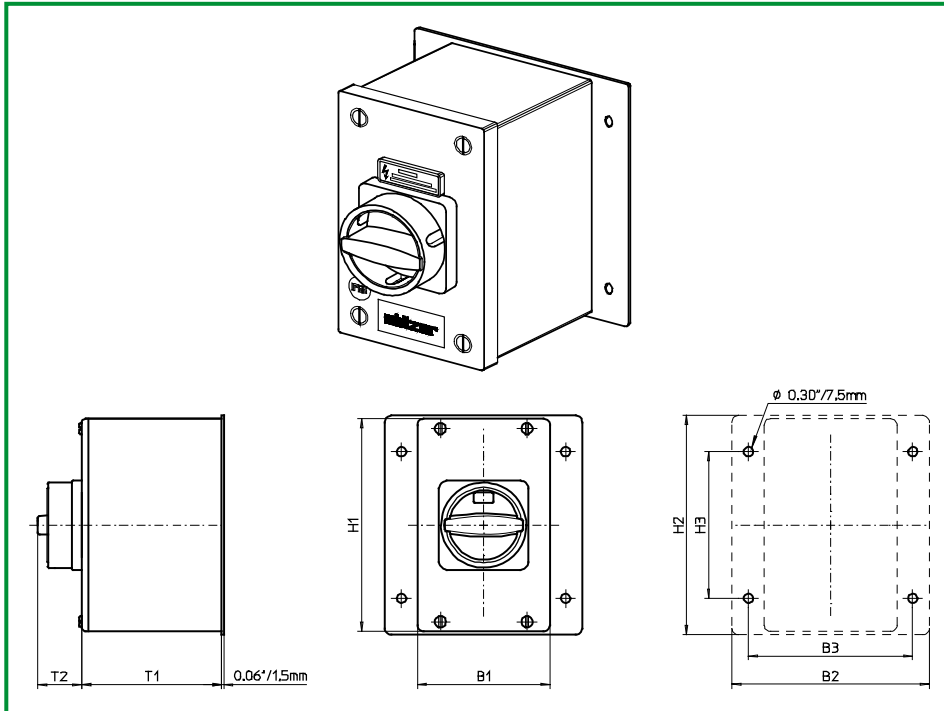
**092M4** (IP66)

| Complete switch   | Poles   | Product lines | Rated data (IEC 60947)             |                               |            | Order code number           |
|---|---------|---------------|------------------------------------|-------------------------------|------------|-----------------------------|
|   |         |               | Operational current I <sub>e</sub> | Operational power at 380–440V |            |                             |
|   |         |               | AC-21A<br>A                        | AC-23A<br>kW                  | AC-3<br>kW |                             |
| Main Switches<br>OFF position padlockable 09h               | 3 ... 4 | H200-A        | 20                                 | 5,5                           | 3,7        | <b>H216 - 4.... - 092M1</b> |
|   |         |               | 25                                 | 7,5                           | 5,5        | <b>H220 - 4.... - 092M1</b> |
|   |         |               | 32                                 | 11                            | 7,5        | <b>H226 - 4.... - 092M1</b> |
| Main/Emergency-Off Switches<br>OFF position padlockable 09h | 3 ... 4 | H200-A        | 20                                 | 5,5                           | 3,7        | <b>H216 - 4.... - 092M4</b> |
|   |         |               | 25                                 | 7,5                           | 5,5        | <b>H220 - 4.... - 092M4</b> |
|   |         |               | 32                                 | 11                            | 7,5        | <b>H226 - 4.... - 092M4</b> |

| SMD modules for basic switch A02      |  |        |                     |
|---------------------------------------|--|--------|---------------------|
| Mounting form module for 092M1/092M4  |  | H200-A | <b>BFA2 - E9</b>    |
| Enclosure module, mounting form 092M1 |  |        | <b>SBH2 - 092M1</b> |
| Enclosure module, mounting form 092M4 |  |        | <b>SBH2 - 092M4</b> |

| Dimensions (mm) |     |     |     |    |     |     |     |       |
|-----------------|-----|-----|-----|----|-----|-----|-----|-------|
| Product line    | H1  | B1  | T1  | T2 | H2  | H3  | B2  | B3    |
| H200-A          | 160 | 100 | 105 | 38 | 165 | 110 | 149 | 123,5 |

# Enclosed Switches



**Product line  
H200-A**

**Enclosed switch**

**Stainless steel  
enclosure  
polished**

160 × 100 × 105 mm

with cover interlock  
in ON position

with PE connection link  
without N connection link

**092N1 (IP66)**

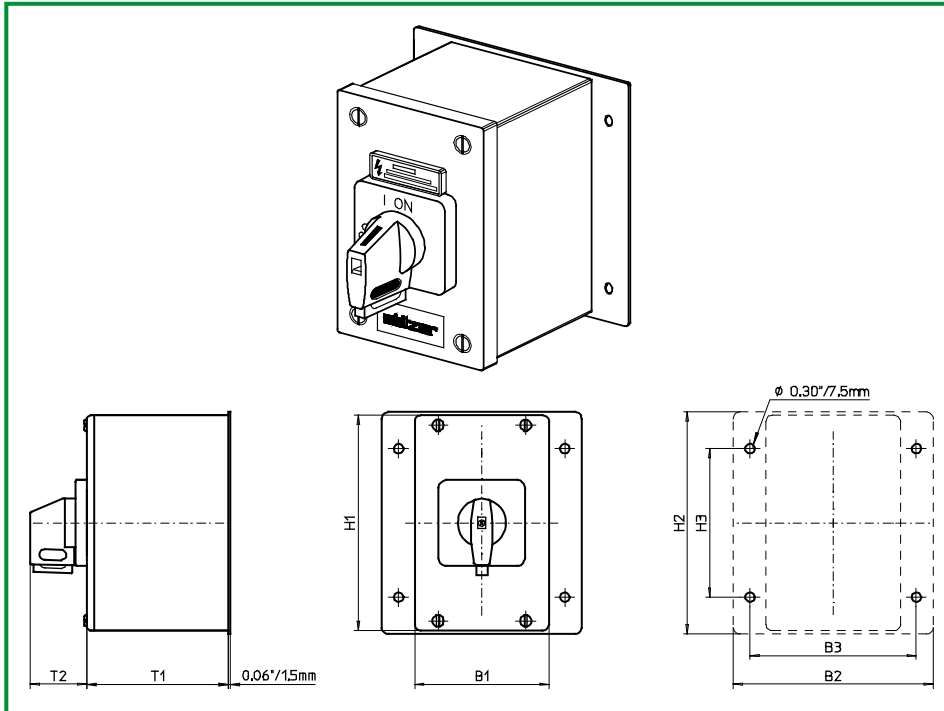
**092N4 (IP66)**

| Complete switch   | Poles   | Product lines | Rated data (IEC 60947)             |                               |            | Order code number           |
|---|---------|---------------|------------------------------------|-------------------------------|------------|-----------------------------|
|   |         |               | Operational current I <sub>e</sub> | Operational power at 380–440V |            |                             |
|   |         |               | AC-21A<br>A                        | AC-23A<br>kW                  | AC-3<br>kW |                             |
| Main Switches<br>OFF position padlockable 12h               | 3 ... 4 | H200-A        | 20                                 | 5,5                           | 3,7        | <b>H216 - 4.... - 092N1</b> |
|   |         |               | 25                                 | 7,5                           | 5,5        | <b>H220 - 4.... - 092N1</b> |
|   |         |               | 32                                 | 11                            | 7,5        | <b>H226 - 4.... - 092N1</b> |
| Main/Emergency-Off Switches<br>OFF position padlockable 12h | 3 ... 4 | H200-A        | 20                                 | 5,5                           | 3,7        | <b>H216 - 4.... - 092N4</b> |
|   |         |               | 25                                 | 7,5                           | 5,5        | <b>H220 - 4.... - 092N4</b> |
|   |         |               | 32                                 | 11                            | 7,5        | <b>H226 - 4.... - 092N4</b> |

| SMD modules for basic switch A02      |  |        |                     |
|---------------------------------------|--|--------|---------------------|
| Mounting form module for 092N1/092N4  |  | H200-A | <b>BFA2 - E9</b>    |
| Enclosure module, mounting form 092N1 |  |        | <b>SBH2 - 092N1</b> |
| Enclosure module, mounting form 092N4 |  |        | <b>SBH2 - 092N4</b> |

| Dimensions (mm) |     |     |     |    |     |     |     |       |
|-----------------|-----|-----|-----|----|-----|-----|-----|-------|
| Product line    | H1  | B1  | T1  | T2 | H2  | H3  | B2  | B3    |
| H200-A          | 160 | 100 | 105 | 33 | 165 | 110 | 149 | 123,5 |

# Enclosed Switches



**Product line  
H200-A**

**Enclosed switch**

**Stainless steel  
enclosure  
polished**

160 × 100 × 105 mm

with cover interlock  
in ON position

with PE connection link  
without N connection link

**092V1 (IP66)**

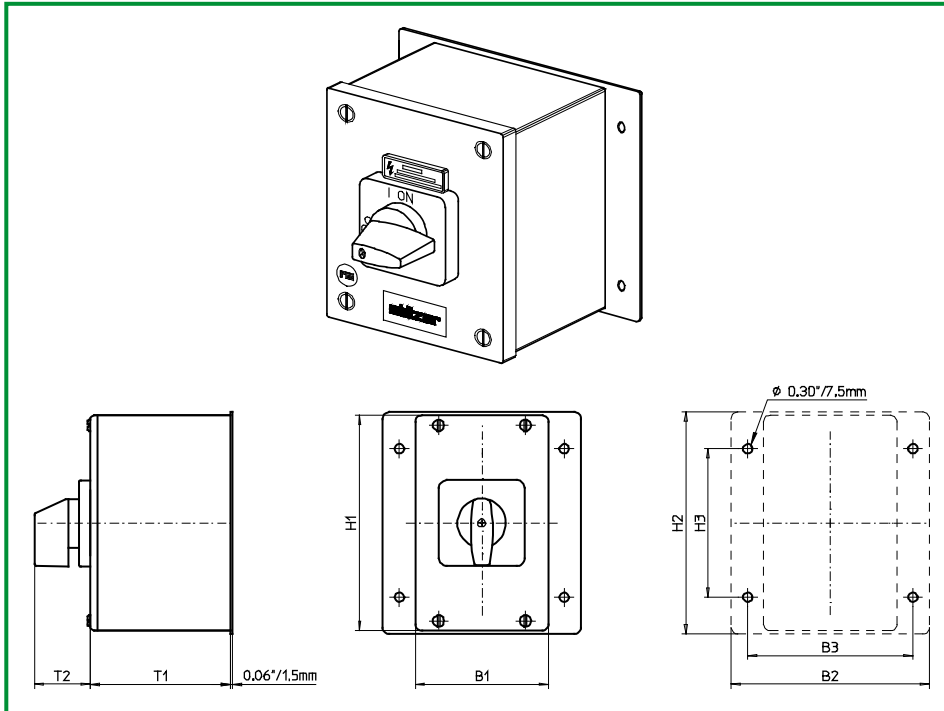
**092V4 (IP66)**

| Complete switch   | Poles   | Product lines | Rated data (IEC 60947)             |                               |            | Order code number           |
|---|---------|---------------|------------------------------------|-------------------------------|------------|-----------------------------|
|   |         |               | Operational current I <sub>e</sub> | Operational power at 380–440V |            |                             |
|   |         |               | AC-21A<br>A                        | AC-23A<br>kW                  | AC-3<br>kW |                             |
| Main Switches<br>OFF position padlockable 09h               | 3 ... 4 | H200-A        | 20                                 | 5,5                           | 3,7        | <b>H216 - 4.... - 092V1</b> |
|   |         |               | 25                                 | 7,5                           | 5,5        | <b>H220 - 4.... - 092V1</b> |
|   |         |               | 32                                 | 11                            | 7,5        | <b>H226 - 4.... - 092V1</b> |
| Main/Emergency-Off Switches<br>OFF position padlockable 09h | 3 ... 4 | H200-A        | 20                                 | 5,5                           | 3,7        | <b>H216 - 4.... - 092V4</b> |
|   |         |               | 25                                 | 7,5                           | 5,5        | <b>H220 - 4.... - 092V4</b> |
|   |         |               | 32                                 | 11                            | 7,5        | <b>H226 - 4.... - 092V4</b> |

| SMD modules for basic switch A02            |        |                                |
|---|--------|--------------------------------|
| Mounting form module for 092V1/092V4        | H200-A | <b>BFA2 - E9</b>               |
| Enclosure module, mounting form 092V1       |        | <b>SBH2 - 092V1</b>            |
| Enclosure module, mounting form 092V4       |        | <b>SBH2 - 092V4</b>            |
| Legend plate silver, enclosure module 092V1 |        | <b>FAS4 - 9...</b> (FA number) |
| Legend plate yellow, enclosure module 092V4 |        | <b>FBS4 - 9...</b> (FA number) |

| Dimensions (mm) |     |     |     |    |     |     |     |       |
|-----------------|-----|-----|-----|----|-----|-----|-----|-------|
| Product line    | H1  | B1  | T1  | T2 | H2  | H3  | B2  | B3    |
| H200-A          | 160 | 100 | 105 | 39 | 165 | 110 | 149 | 123,5 |

# Enclosed Switches



**Product line  
H200-A**

**Enclosed switch**

**Stainless steel  
enclosure  
polished**

160 × 160 × 110 mm

with cover interlock  
in ON position

with PE connection link  
without N connection link

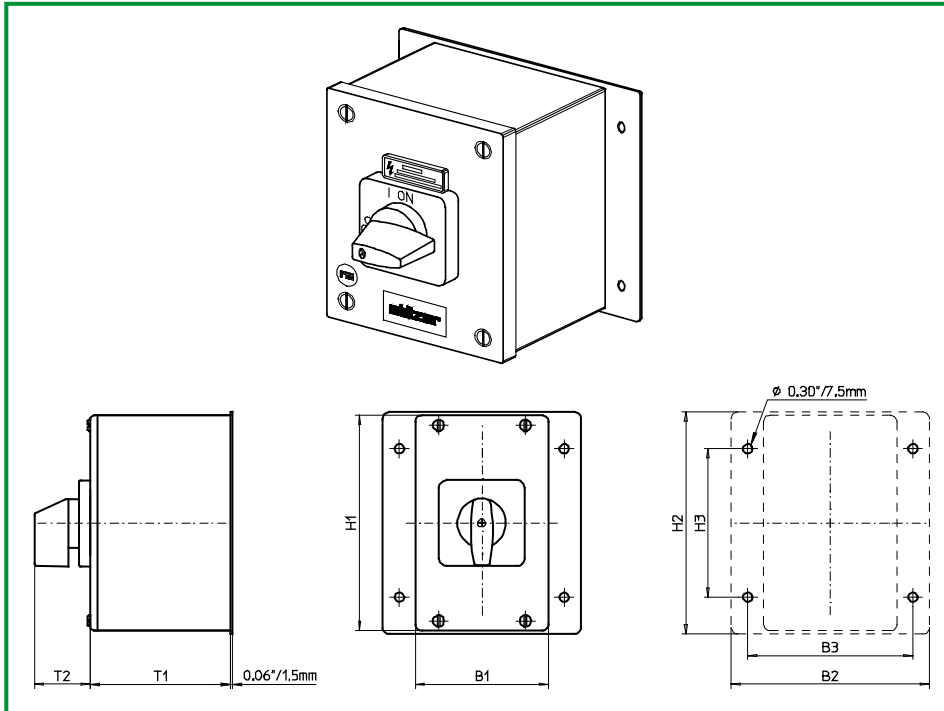
**190M1** (IP66)

| Complete switch                        | Poles   | Product lines | Rated data (IEC 60947)             |                               |            | Order code number           |
|--|---------|---------------|------------------------------------|-------------------------------|------------|-----------------------------|
|  |         |               | Operational current I <sub>e</sub> | Operational power at 380–440V |            |                             |
|  |         |               | AC-21A<br>A                        | AC-23A<br>kW                  | AC-3<br>kW |                             |
| ON-OFF Switches<br>Switching angle 90° | 3 ... 4 | H200-A        | 20                                 | 5,5                           | 3,7        | <b>H216 - 4.... - 190M1</b> |
|  |         |               | 25                                 | 7,5                           | 5,5        | <b>H220 - 4.... - 190M1</b> |
|  |         |               | 32                                 | 11                            | 7,5        | <b>H226 - 4.... - 190M1</b> |
|  |         |               | 40                                 | 15                            | 11         | <b>H233 - 4.... - 190M1</b> |

| SMD modules for basic switch A02            |  |        |                                |
|---|--|--------|--------------------------------|
| Mounting form module for 190M1              |  | H200-A | <b>BFA2 - E9</b>               |
| Enclosure module, mounting form 190M1       |  |        | <b>SBH2 - 190M1</b>            |
| Legend plate silver, enclosure module 190M1 |  |        | <b>FAS4 - 9...</b> (FA number) |

| Dimensions (mm) |     |     |     |    |     |     |     |     |
|-----------------|-----|-----|-----|----|-----|-----|-----|-----|
| Product line    | H1  | B1  | T1  | T2 | H2  | H3  | B2  | B3  |
| H200-A          | 160 | 160 | 110 | 39 | 165 | 110 | 210 | 185 |

# Enclosed Switches



**Product line  
H200-D**

**Enclosed switch**

**Stainless steel  
enclosure  
polished**

160 × 160 × 110 mm

with cover interlock  
in ON position

with PE connection link  
without N connection link

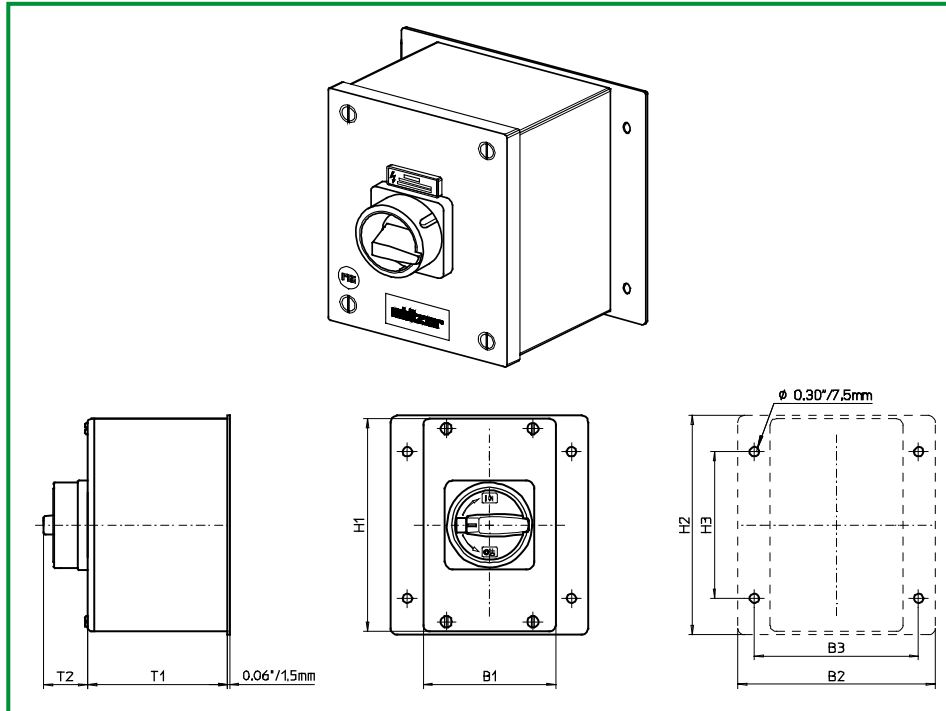
**191M1** (IP66)

| Complete switch                        | Poles   | Product lines | Rated data (IEC 60947)             |                               |            | Order code number            |
|--|---------|---------------|------------------------------------|-------------------------------|------------|------------------------------|
|  |         |               | Operational current I <sub>e</sub> | Operational power at 380–440V |            |                              |
|  |         |               | AC-21A<br>A                        | AC-23A<br>kW                  | AC-3<br>kW |                              |
| ON-OFF Switches<br>Switching angle 90° | 6 ... 8 | H200-D        | 20                                 | 5,5                           | 3,7        | <b>H216 - 41 ... - 191M1</b> |
|  |         |               | 25                                 | 7,5                           | 5,5        | <b>H220 - 41 ... - 191M1</b> |
|  |         |               | 32                                 | 11                            | 7,5        | <b>H226 - 41 ... - 191M1</b> |
|  |         |               | 40                                 | 15                            | 11         | <b>H233 - 41 ... - 191M1</b> |

| SMD modules for basic switch A02            |  |        |                                |
|---|--|--------|--------------------------------|
| Mounting form module for 191M1              |  | H200-D | <b>BFB2 - E9</b>               |
| Enclosure module, mounting form 191M1       |  |        | <b>SBH2 - 191M1</b>            |
| Legend plate silver, enclosure module 191M1 |  |        | <b>FAS4 - 9...</b> (FA number) |

| Dimensions (mm) |     |     |     |    |     |     |     |     |
|-----------------|-----|-----|-----|----|-----|-----|-----|-----|
| Product line    | H1  | B1  | T1  | T2 | H2  | H3  | B2  | B3  |
| H200-D          | 160 | 160 | 110 | 39 | 165 | 110 | 210 | 185 |

# Enclosed Switches



**Product lines  
H200-A/-B**

**Enclosed switch**

**Stainless steel  
enclosure  
polished**

160 × 160 × 110 mm

with cover interlock  
in ON position

with PE connection link  
without N connection link

**192M1** (IP66)

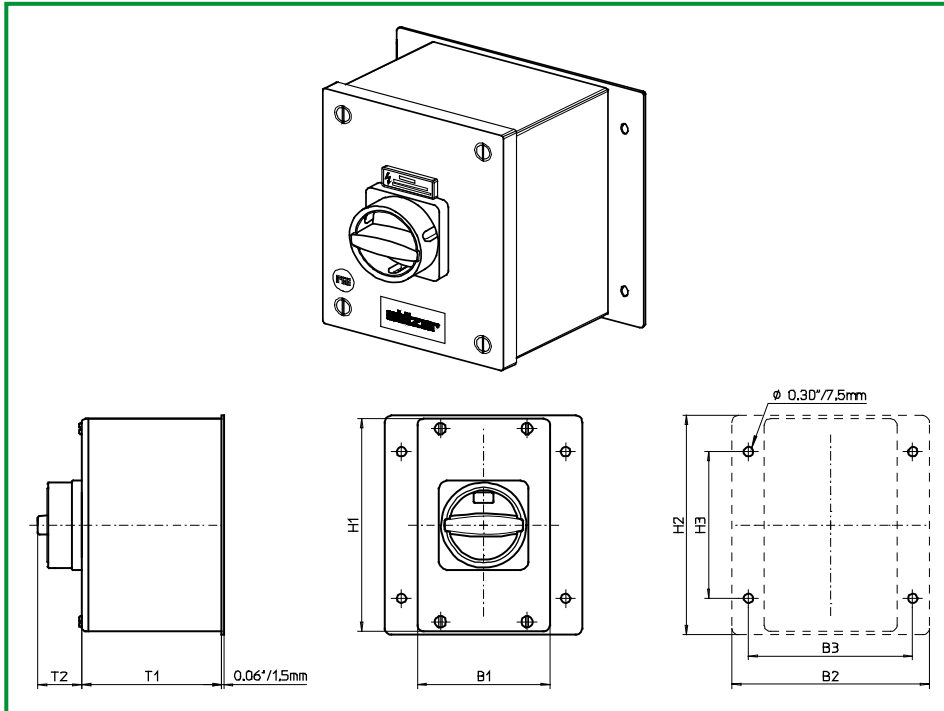
**192M4** (IP66)

| Complete switch   | Poles   | Product lines | Rated data (IEC 60947)             |                               |            | Order code number           |
|---|---------|---------------|------------------------------------|-------------------------------|------------|-----------------------------|
|   |         |               | Operational current I <sub>e</sub> | Operational power at 380–440V |            |                             |
|   |         |               | AC-21A<br>A                        | AC-23A<br>kW                  | AC-3<br>kW |                             |
| Main Switches<br>OFF position padlockable 09h               | 3 ... 4 | H200-A        | 20                                 | 5,5                           | 3,7        | <b>H216 - 4.... - 192M1</b> |
|   |         |               | 25                                 | 7,5                           | 5,5        | <b>H220 - 4.... - 192M1</b> |
|   |         |               | 32                                 | 11                            | 7,5        | <b>H226 - 4.... - 192M1</b> |
|   |         |               | 40                                 | 15                            | 11         | <b>H233 - 4.... - 192M1</b> |
|   |         |               | 63                                 | 22                            | 18,5       | <b>H263 - 4.... - 192M1</b> |
| Main/Emergency-Off Switches<br>OFF position padlockable 09h | 3 ... 4 | H200-A        | 20                                 | 5,5                           | 3,7        | <b>H216 - 4.... - 192M4</b> |
|   |         |               | 25                                 | 7,5                           | 5,5        | <b>H220 - 4.... - 192M4</b> |
|   |         |               | 32                                 | 11                            | 7,5        | <b>H226 - 4.... - 192M4</b> |
|   |         |               | 40                                 | 15                            | 11         | <b>H233 - 4.... - 192M4</b> |
|   |         |               | 63                                 | 22                            | 18,5       | <b>H263 - 4.... - 192M4</b> |

| SMD modules for basic switch A02      |                  |                                      |
|---------------------------------------|------------------|--------------------------------------|
| Mounting form module for 192M1/192M4  | H200-A<br>H200-B | <b>BFA2 - E9</b><br><b>BFB2 - E9</b> |
| Enclosure module, mounting form 192M1 | H200-A/-B        | <b>SBH2 - 192M1</b>                  |
| Enclosure module, mounting form 192M4 | H200-A/-B        | <b>SBH2 - 192M4</b>                  |

| Dimensions (mm) |     |     |     |    |     |     |     |     |
|-----------------|-----|-----|-----|----|-----|-----|-----|-----|
| Product line    | H1  | B1  | T1  | T2 | H2  | H3  | B2  | B3  |
| H200-A/-B       | 160 | 160 | 110 | 38 | 165 | 110 | 210 | 185 |

# Enclosed Switches



**Product lines  
H200-A/-B**

**Enclosed switch**

**Stainless steel  
enclosure  
polished**

160 × 160 × 110 mm

with cover interlock  
in ON position

with PE connection link  
without N connection link

**192N1 (IP66)**

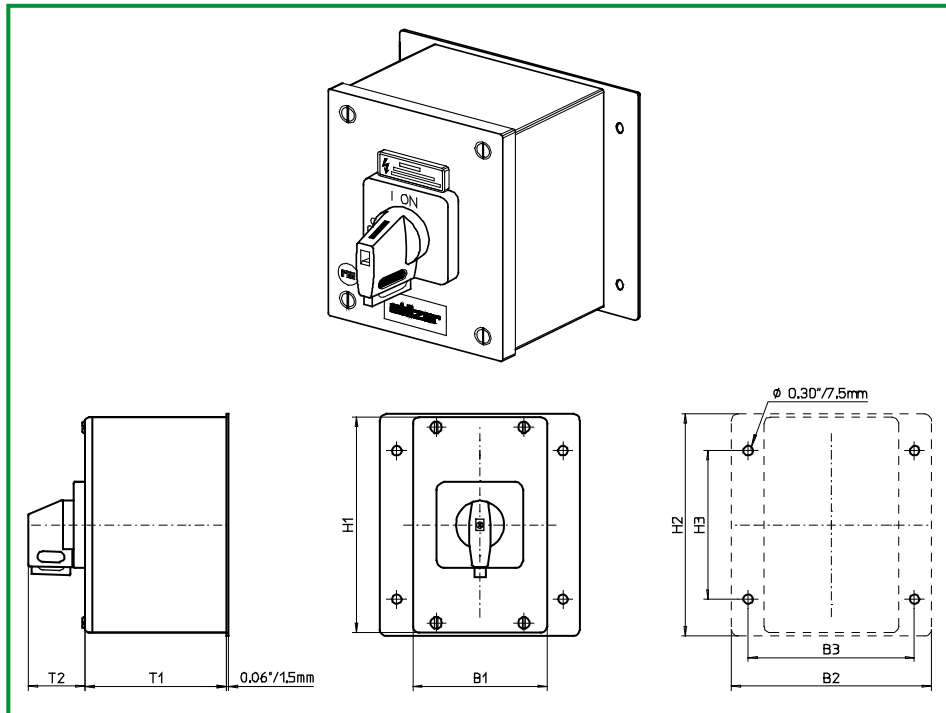
**192N4 (IP66)**

| Complete switch   | Poles   | Product lines | Rated data (IEC 60947)             |                               |            | Order code number           |
|---|---------|---------------|------------------------------------|-------------------------------|------------|-----------------------------|
|   |         |               | Operational current I <sub>e</sub> | Operational power at 380–440V |            |                             |
|   |         |               | AC-21A<br>A                        | AC-23A<br>kW                  | AC-3<br>kW |                             |
| Main Switches<br>OFF position padlockable 12h               | 3 ... 4 | H200-A        | 20                                 | 5,5                           | 3,7        | <b>H216 - 4.... - 192N1</b> |
|   |         |               | 25                                 | 7,5                           | 5,5        | <b>H220 - 4.... - 192N1</b> |
|   |         |               | 32                                 | 11                            | 7,5        | <b>H226 - 4.... - 192N1</b> |
|   |         |               | 40                                 | 15                            | 11         | <b>H233 - 4.... - 192N1</b> |
|   |         |               | 63                                 | 22                            | 18,5       | <b>H263 - 4.... - 192N1</b> |
| Main/Emergency-Off Switches<br>OFF position padlockable 12h | 3 ... 4 | H200-A        | 20                                 | 5,5                           | 3,7        | <b>H216 - 4.... - 192N4</b> |
|   |         |               | 25                                 | 7,5                           | 5,5        | <b>H220 - 4.... - 192N4</b> |
|   |         |               | 32                                 | 11                            | 7,5        | <b>H226 - 4.... - 192N4</b> |
|   |         |               | 40                                 | 15                            | 11         | <b>H233 - 4.... - 192N4</b> |
|   |         |               | 63                                 | 22                            | 18,5       | <b>H263 - 4.... - 192N4</b> |

| SMD modules for basic switch A02      |                  |                                      |
|---------------------------------------|------------------|--------------------------------------|
| Mounting form module for 192N1/192N4  | H200-A<br>H200-B | <b>BFA2 - E9</b><br><b>BFB2 - E9</b> |
| Enclosure module, mounting form 192N1 | H200-A/-B        | <b>SBH2 - 192N1</b>                  |
| Enclosure module, mounting form 192N4 | H200-A/-B        | <b>SBH2 - 192N4</b>                  |

| Dimensions (mm) |     |     |     |    |     |     |     |     |
|-----------------|-----|-----|-----|----|-----|-----|-----|-----|
| Product line    | H1  | B1  | T1  | T2 | H2  | H3  | B2  | B3  |
| H200-A/-B       | 160 | 160 | 110 | 33 | 165 | 110 | 210 | 185 |

# Enclosed Switches



**Product lines**  
**H200-A/-B**

**Enclosed switch**

**Stainless steel enclosure polished**

160 × 160 × 110 mm

with cover interlock in ON position

with PE connection link without N connection link

**192V1 (IP66)**

**192V4 (IP66)**

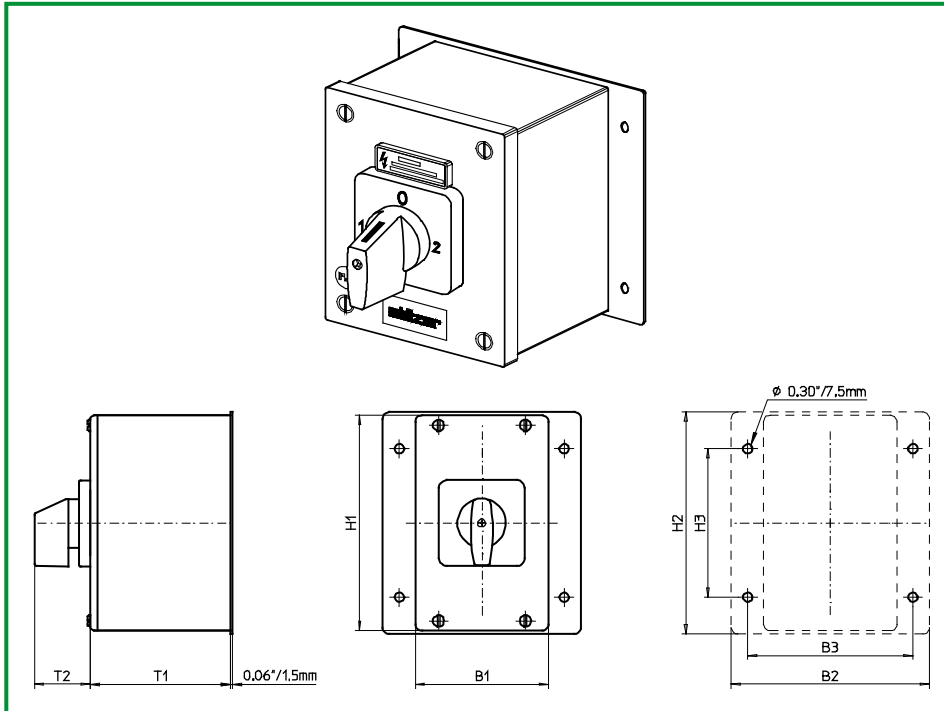
| Complete switch   | Poles   | Product lines | Rated data (IEC 60947)             |              |                               | Order code number           |
|---|---------|---------------|------------------------------------|--------------|-------------------------------|-----------------------------|
|   |         |               | Operational current I <sub>e</sub> |              | Operational power at 380–440V |                             |
|   |         |               | AC-21A<br>A                        | AC-23A<br>kW | AC-3<br>kW                    |                             |
| Main Switches<br>OFF position padlockable 09h               | 3 ... 4 | H200-A        | 20                                 | 5,5          | 3,7                           | <b>H216 - 4.... - 192V1</b> |
|   |         |               | 25                                 | 7,5          | 5,5                           | <b>H220 - 4.... - 192V1</b> |
|   |         |               | 32                                 | 11           | 7,5                           | <b>H226 - 4.... - 192V1</b> |
|   |         |               | 40                                 | 15           | 11                            | <b>H233 - 4.... - 192V1</b> |
|   |         |               | 63                                 | 22           | 18,5                          | <b>H263 - 4.... - 192V1</b> |
| Main/Emergency-Off Switches<br>OFF position padlockable 09h | 3 ... 4 | H200-A        | 20                                 | 5,5          | 3,7                           | <b>H216 - 4.... - 192V4</b> |
|   |         |               | 25                                 | 7,5          | 5,5                           | <b>H220 - 4.... - 192V4</b> |
|   |         |               | 32                                 | 11           | 7,5                           | <b>H226 - 4.... - 192V4</b> |
|   |         |               | 40                                 | 15           | 11                            | <b>H233 - 4.... - 192V4</b> |
|   |         |               | 63                                 | 22           | 18,5                          | <b>H263 - 4.... - 192V4</b> |

| SMD modules for basic switch A02            |                  |                                      |
|---|------------------|--------------------------------------|
| Mounting form module for 192V1/192V4        | H200-A<br>H200-B | <b>BFA2 - E9</b><br><b>BFB2 - E9</b> |
| Enclosure module, mounting form 192V1       | H200-A/-B        | <b>SBH2 - 192V1</b>                  |
| Enclosure module, mounting form 192V4       | H200-A/-B        | <b>SBH2 - 192V4</b>                  |
| Legend plate silver, enclosure module 192V1 |                  | <b>FAS4 - 9...</b> (FA number)       |
| Legend plate yellow, enclosure module 192V4 |                  | <b>FBS4 - 9...</b> (FA number)       |

| Dimensions (mm) |     |     |     |    |     |     |     |     |
|-----------------|-----|-----|-----|----|-----|-----|-----|-----|
| Product line    | H1  | B1  | T1  | T2 | H2  | H3  | B2  | B3  |
| H200-A/-B       | 160 | 160 | 110 | 39 | 165 | 110 | 210 | 185 |



# Enclosed Switches



**Product line  
H200-E**

**Enclosed switch**

**Stainless steel  
enclosure  
polished**

160 × 160 × 110 mm

Cover interlock  
in position 1 and 2

with PE connection link  
without N connection link

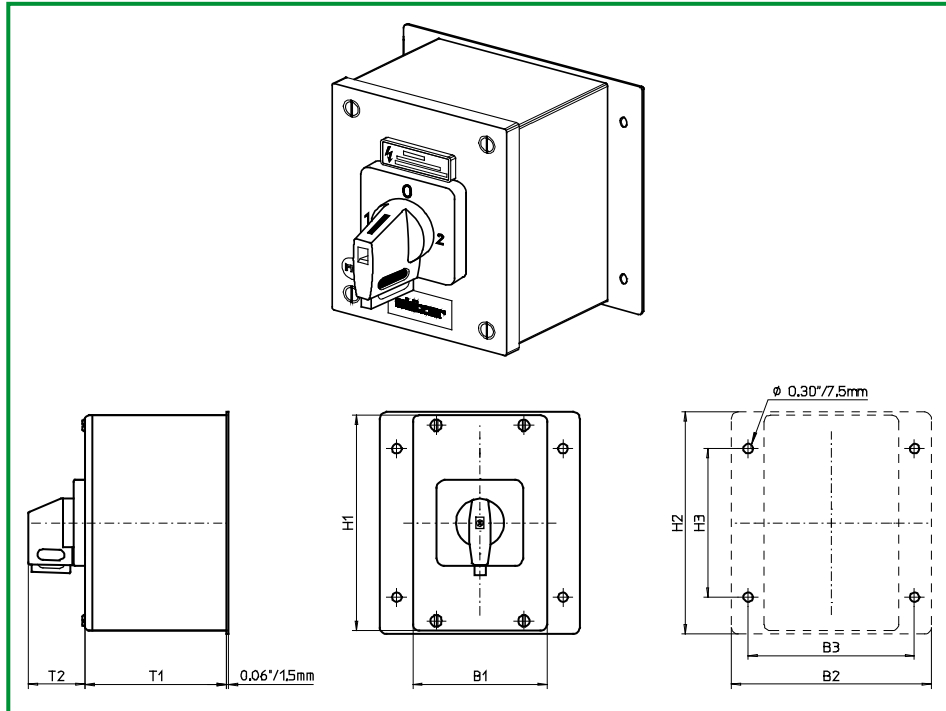
**193M1** (IP66)

| Complete switch                            | Poles   | Product lines | Rated data (IEC 60947)             |                               |            | Order code number            |
|--|---------|---------------|------------------------------------|-------------------------------|------------|------------------------------|
|  |         |               | Operational current I <sub>e</sub> | Operational power at 380–440V |            |                              |
|  |         |               | AC-21A<br>A                        | AC-23A<br>kW                  | AC-3<br>kW |                              |
| Changeover with OFF<br>Switching angle 90° | 3 ... 4 | H200-E        | 20                                 | 5,5                           | 3,7        | <b>H216 - 71 ... - 193M1</b> |
|  |         |               | 25                                 | 7,5                           | 5,5        | <b>H220 - 71 ... - 193M1</b> |
|  |         |               | 32                                 | 11                            | 7,5        | <b>H226 - 71 ... - 193M1</b> |
|  |         |               | 40                                 | 15                            | 11         | <b>H233 - 71 ... - 193M1</b> |

| SMD modules for basic switch A02            |        |                                |
|---|--------|--------------------------------|
| Mounting form module for 193M1              | H200-E | <b>BFB2 - E9</b>               |
| Enclosure module, mounting form 193M1       |        | <b>SBH2 - 193M1</b>            |
| Legend plate silver, enclosure module 193M1 |        | <b>FAS4 - 9...</b> (FA number) |

| Dimensions (mm) |     |     |     |    |     |     |     |     |
|-----------------|-----|-----|-----|----|-----|-----|-----|-----|
| Product line    | H1  | B1  | T1  | T2 | H2  | H3  | B2  | B3  |
| H200-E          | 160 | 160 | 110 | 39 | 165 | 110 | 210 | 185 |

# Enclosed Switches



**Product line  
H200-E**

**Enclosed switch**

**Stainless steel  
enclosure  
polished**

160 × 160 × 110 mm

Cover interlock  
in position 1 and 2

with PE connection link  
without N connection link

**193V1 (IP66)**

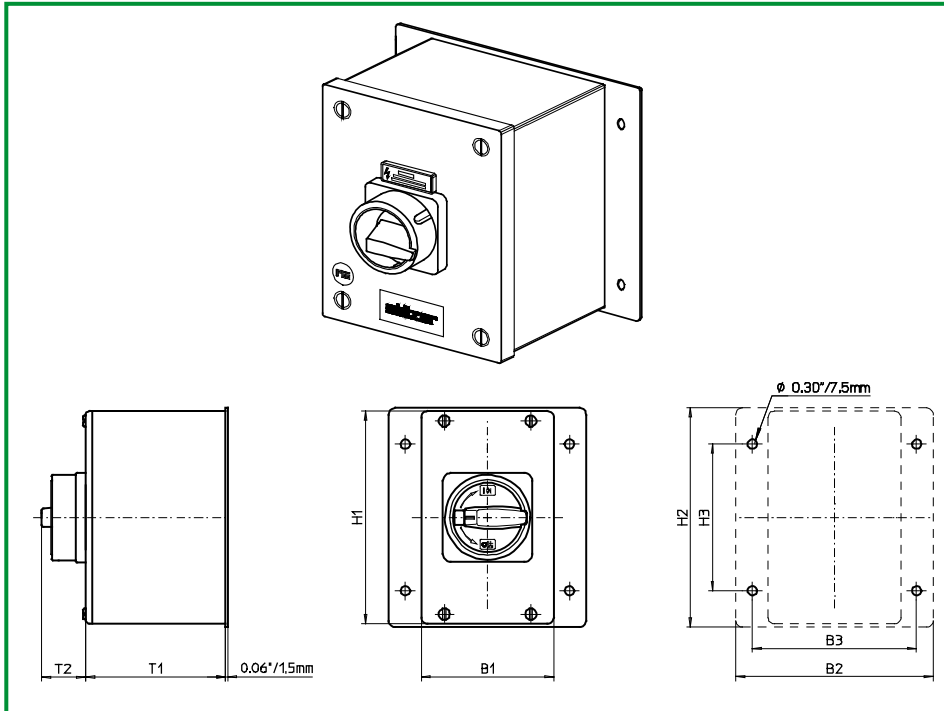
**195V1 (IP66)**

| Complete switch  | Poles   | Product lines | Rated data (IEC 60947)             |                               |            | Order code number            |
|--|---------|---------------|------------------------------------|-------------------------------|------------|------------------------------|
|  |         |               | Operational current I <sub>e</sub> | Operational power at 380–440V |            |                              |
|  |         |               | AC-21A<br>A                        | AC-23A<br>kW                  | AC-3<br>kW |                              |
| Changeover with OFF<br>Switching angle 90°<br>OFF position padlockable 12h | 3 ... 4 | H200-E        | 20                                 | 5,5                           | 3,7        | <b>H216 - 71 ... - 193V1</b> |
|  |         |               | 25                                 | 7,5                           | 5,5        | <b>H220 - 71 ... - 193V1</b> |
|  |         |               | 32                                 | 11                            | 7,5        | <b>H226 - 71 ... - 193V1</b> |
|  |         |               | 40                                 | 15                            | 11         | <b>H233 - 71 ... - 193V1</b> |
| Changeover with OFF<br>Switching angle 90°<br>3 positions padlockable      | 3 ... 4 | H200-E        | 20                                 | 5,5                           | 3,7        | <b>H216 - 71 ... - 195V1</b> |
|  |         |               | 25                                 | 7,5                           | 5,5        | <b>H220 - 71 ... - 195V1</b> |
|  |         |               | 32                                 | 11                            | 7,5        | <b>H226 - 71 ... - 195V1</b> |
|  |         |               | 40                                 | 15                            | 11         | <b>H233 - 71 ... - 195V1</b> |

| SMD modules for basic switch A02                  |  |        |                                |
|---|--|--------|--------------------------------|
| Mounting form module for 193V1/195V1              |  | H200-E | <b>BFB2 - E9</b>               |
| Enclosure module, mounting form 193V1             |  |        | <b>SBH2 - 193V1</b>            |
| Enclosure module, mounting form 195V1             |  |        | <b>SBH2 - 195V1</b>            |
| Legend plate silver, enclosure module 193V1/195V1 |  |        | <b>FAS4 - 9...</b> (FA number) |

| Dimensions (mm) |     |     |     |    |     |     |     |     |
|-----------------|-----|-----|-----|----|-----|-----|-----|-----|
| Product line    | H1  | B1  | T1  | T2 | H2  | H3  | B2  | B3  |
| H200-E          | 160 | 160 | 110 | 39 | 165 | 110 | 210 | 185 |

# Enclosed Switches



**Product line  
H200-D**

**Enclosed switch**

**Stainless steel  
enclosure  
polished**

160 × 160 × 110 mm

with cover interlock  
in ON position

with PE connection link  
without N connection link

**194M1** (IP66)

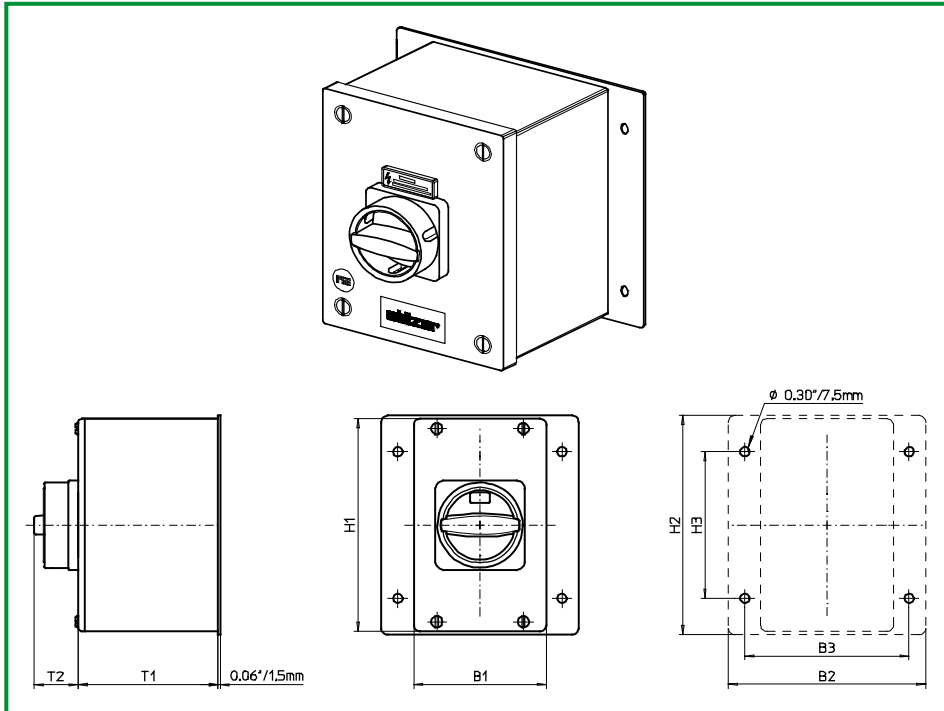
**194M4** (IP66)

| Complete switch   | Poles   | Product lines | Rated data (IEC 60947)             |                               |            | Order code number            |
|---|---------|---------------|------------------------------------|-------------------------------|------------|------------------------------|
|   |         |               | Operational current I <sub>e</sub> | Operational power at 380–440V |            |                              |
|   |         |               | AC-21A<br>A                        | AC-23A<br>kW                  | AC-3<br>kW |                              |
| Main Switches<br>OFF position padlockable 09h               | 6 ... 8 | H200-D        | 20                                 | 5,5                           | 3,7        | <b>H216 - 41 ... - 194M1</b> |
|   |         |               | 25                                 | 7,5                           | 5,5        | <b>H220 - 41 ... - 194M1</b> |
|   |         |               | 32                                 | 11                            | 7,5        | <b>H226 - 41 ... - 194M1</b> |
|   |         |               | 40                                 | 15                            | 11         | <b>H233 - 41 ... - 194M1</b> |
| Main/Emergency-Off Switches<br>OFF position padlockable 09h | 6 ... 8 | H200-D        | 20                                 | 5,5                           | 3,7        | <b>H216 - 41 ... - 194M4</b> |
|   |         |               | 25                                 | 7,5                           | 5,5        | <b>H220 - 41 ... - 194M4</b> |
|   |         |               | 32                                 | 11                            | 7,5        | <b>H226 - 41 ... - 194M4</b> |
|   |         |               | 40                                 | 15                            | 11         | <b>H233 - 41 ... - 194M4</b> |

| SMD modules for basic switch A02      |  |        |                     |
|---------------------------------------|--|--------|---------------------|
| Mounting form module for 194M1/194M4  |  | H200-D | <b>BFB2 - E9</b>    |
| Enclosure module, mounting form 194M1 |  |        | <b>SBH2 - 194M1</b> |
| Enclosure module, mounting form 194M4 |  |        | <b>SBH2 - 194M4</b> |

| Dimensions (mm) |     |     |     |    |     |     |     |     |
|-----------------|-----|-----|-----|----|-----|-----|-----|-----|
| Product line    | H1  | B1  | T1  | T2 | H2  | H3  | B2  | B3  |
| H200-D          | 160 | 160 | 110 | 38 | 165 | 110 | 210 | 185 |

# Enclosed Switches



**Product line  
H200-D**

**Enclosed switch**

**Stainless steel  
enclosure  
polished**

160 × 160 × 110 mm

with cover interlock  
in ON position

with PE connection link  
without N connection link

**194N1 (IP66)**

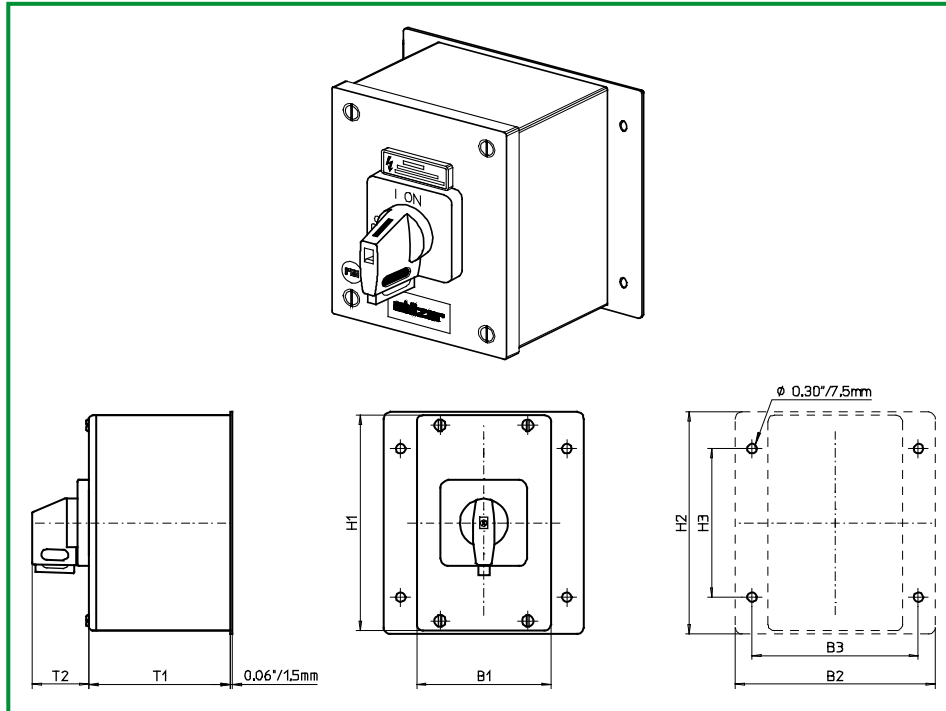
**194N4 (IP66)**

| Complete switch   | Poles   | Product lines | Rated data (IEC 60947)             |                               |            | Order code number            |
|---|---------|---------------|------------------------------------|-------------------------------|------------|------------------------------|
|   |         |               | Operational current I <sub>e</sub> | Operational power at 380–440V |            |                              |
|   |         |               | AC-21A<br>A                        | AC-23A<br>kW                  | AC-3<br>kW |                              |
| Main Switches<br>OFF position padlockable 12h               | 6 ... 8 | H200-D        | 20                                 | 5,5                           | 3,7        | <b>H216 - 41 ... - 194N1</b> |
|   |         |               | 25                                 | 7,5                           | 5,5        | <b>H220 - 41 ... - 194N1</b> |
|   |         |               | 32                                 | 11                            | 7,5        | <b>H226 - 41 ... - 194N1</b> |
|   |         |               | 40                                 | 15                            | 11         | <b>H233 - 41 ... - 194N1</b> |
| Main/Emergency-Off Switches<br>OFF position padlockable 12h | 6 ... 8 | H200-D        | 20                                 | 5,5                           | 3,7        | <b>H216 - 41 ... - 194N4</b> |
|   |         |               | 25                                 | 7,5                           | 5,5        | <b>H220 - 41 ... - 194N4</b> |
|   |         |               | 32                                 | 11                            | 7,5        | <b>H226 - 41 ... - 194N4</b> |
|   |         |               | 40                                 | 15                            | 11         | <b>H233 - 41 ... - 194N4</b> |

| SMD modules for basic switch A02      |  |        |                     |
|---------------------------------------|--|--------|---------------------|
| Mounting form module for 194N1/194N4  |  | H200-D | <b>BFB2 - E9</b>    |
| Enclosure module, mounting form 194N1 |  |        | <b>SBH2 - 194N1</b> |
| Enclosure module, mounting form 194N4 |  |        | <b>SBH2 - 194N4</b> |

| Dimensions (mm) |     |     |     |    |     |     |     |     |
|-----------------|-----|-----|-----|----|-----|-----|-----|-----|
| Product line    | H1  | B1  | T1  | T2 | H2  | H3  | B2  | B3  |
| H200-D          | 160 | 160 | 110 | 33 | 165 | 110 | 210 | 185 |

# Enclosed Switches



**Product line**  
**H200-D**

**Enclosed switch**

**Stainless steel enclosure polished**

160 × 160 × 110 mm

with cover interlock in ON position

with PE connection link without N connection link

**194V1 (IP66)**

**194V4 (IP66)**

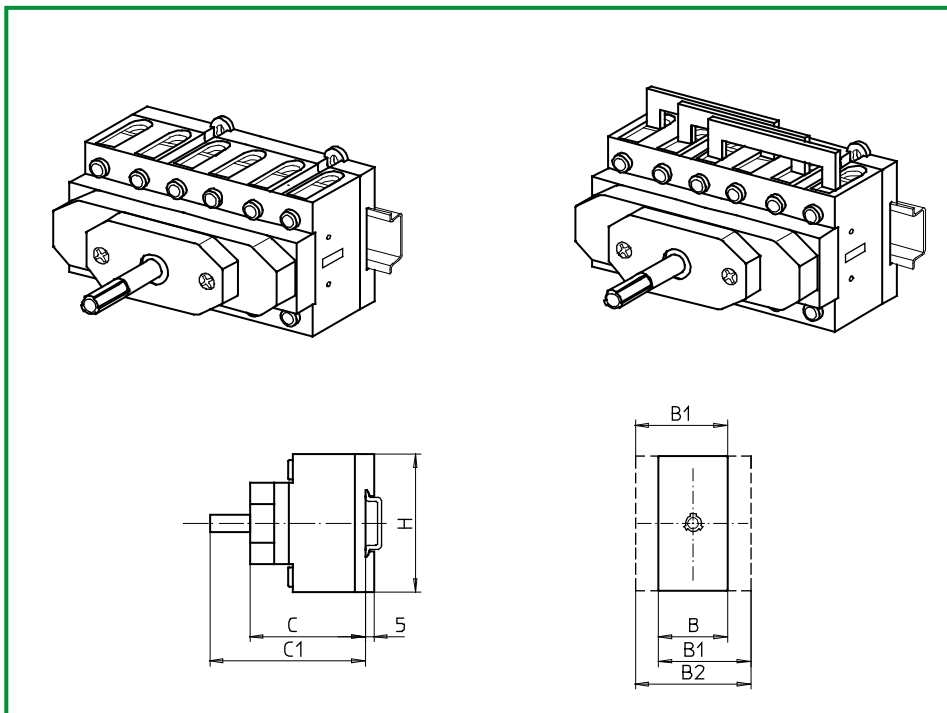
| Complete switch   | Poles   | Product lines | Rated data (IEC 60947)             |                               |            | Order code number            |
|---|---------|---------------|------------------------------------|-------------------------------|------------|------------------------------|
|   |         |               | Operational current I <sub>e</sub> | Operational power at 380–440V |            |                              |
|   |         |               | AC-21A<br>A                        | AC-23A<br>kW                  | AC-3<br>kW |                              |
| Main Switches<br>OFF position padlockable 09h               | 6 ... 8 | H200-D        | 20                                 | 5,5                           | 3,7        | <b>H216 - 41 ... - 194V1</b> |
|   |         |               | 25                                 | 7,5                           | 5,5        | <b>H220 - 41 ... - 194V1</b> |
|   |         |               | 32                                 | 11                            | 7,5        | <b>H226 - 41 ... - 194V1</b> |
|   |         |               | 40                                 | 15                            | 11         | <b>H233 - 41 ... - 194V1</b> |
| Main/Emergency-Off Switches<br>OFF position padlockable 09h | 6 ... 8 | H200-D        | 20                                 | 5,5                           | 3,7        | <b>H216 - 41 ... - 194V4</b> |
|   |         |               | 25                                 | 7,5                           | 5,5        | <b>H220 - 41 ... - 194V4</b> |
|   |         |               | 32                                 | 11                            | 7,5        | <b>H226 - 41 ... - 194V4</b> |
|   |         |               | 40                                 | 15                            | 11         | <b>H233 - 41 ... - 194V4</b> |

| SMD modules for basic switch A02            |  |        |                                |
|---|--|--------|--------------------------------|
| Mounting form module for 194V1/194V4        |  | H200-D | <b>BFB2 - E9</b>               |
| Enclosure module, mounting form 194V1       |  |        | <b>SBH2 - 194V1</b>            |
| Enclosure module, mounting form 194V4       |  |        | <b>SBH2 - 194V4</b>            |
| Legend plate silver, enclosure module 194V1 |  |        | <b>FAS4 - 9...</b> (FA number) |
| Legend plate yellow, enclosure module 194V4 |  |        | <b>FBS4 - 9...</b> (FA number) |

| Dimensions (mm) |     |     |     |    |     |     |     |     |
|-----------------|-----|-----|-----|----|-----|-----|-----|-----|
| Product line    | H1  | B1  | T1  | T2 | H2  | H3  | B2  | B3  |
| H200-D          | 160 | 160 | 110 | 39 | 165 | 110 | 210 | 185 |

# Switch Modules

**sälzer**



**Product lines  
H200-D/-E**

## Switch Modules

for mounting forms in  
base mounting and  
enclosures

## Base mounting

Snap on mounting  
on DIN rail 35 mm

**EA** (IP20)

| Available<br>Switching programmes<br><br>(as well with auxiliary/<br>main contact modules) | Poles    | Product lines | Rated data (IEC 60947)                               |  |            | Order code number<br>(Switching programme<br>to be added.) |
|--|----------|---------------|--|--|------------|--|
|  |          |               | Operational<br>current I <sub>e</sub><br>AC-21A<br>A | Operational power<br>at 380–440V<br>AC-23A<br>kW | AC-3<br>kW |  |
| ON-OFF Switches<br>Switching positions 0–1<br>Switching angle 90°                          | 6... 8   | H200-D        | 20   | 5,5  | 3,7        | <b>H216 - 41 ... - EA</b>                                  |
|  |          |               | 25   | 7,5  | 5,5        | <b>H220 - 41 ... - EA</b>                                  |
|  |          |               | 32   | 11   | 7,5        | <b>H226 - 41 ... - EA</b>                                  |
|  |          |               | 40   | 15   | 11         | <b>H233 - 41 ... - EA</b>                                  |
| Changeover with OFF<br>Switching positions 1–0–2<br>Switching angle 90°                    | 3 ... 4  | H200-E        | 20   | 5,5  | 3,7        | <b>H216 - 71 ... - EA</b>                                  |
|  |          |               | 25   | 7,5  | 5,5        | <b>H220 - 71 ... - EA</b>                                  |
|  |          |               | 32   | 11   | 7,5        | <b>H226 - 71 ... - EA</b>                                  |
|  |          |               | 40   | 15   | 11         | <b>H233 - 71 ... - EA</b>                                  |
| <b>Dimensions (mm)</b>   |          |               |  |  |            |  |
| <b>Module</b>  | <b>H</b> | <b>C</b>      | <b>C1</b>  | <b>B</b>   | <b>B1</b>  | <b>B2</b>  |
| H200-D/-E  | 70       | 62            | 81   | 72   | 84         | 96   |

# Switch Modules

**sälzer**

**Product lines  
H200-A/-B/-D/-E**

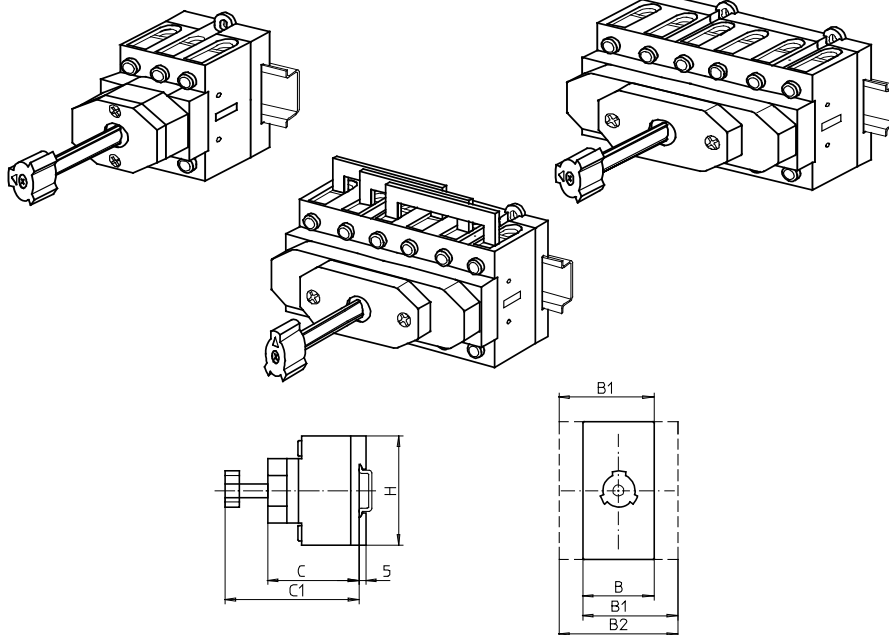
## Switch Modules

for mounting forms in  
base mounting and  
enclosures

## Base mounting

Snap on mounting  
on DIN rail 35 mm

**ED** (IP20)



### Available Switching programmes

(as well with auxiliary/  
main contact modules)

### Poles

### Product lines

### Rated data (IEC 60947)

Operational current  $I_e$     Operational power at 380–440V

AC-21A    AC-23A    AC-3  
A    kW    kW

### Order code number (Switching programme to be added.)

ON-OFF Switches  
Switching positions 0–1  
Switching angle 90°

3 ... 8

H200-A/-D

|    |     |      |
|----|-----|------|
| 20 | 5,5 | 3,7  |
| 25 | 7,5 | 5,5  |
| 32 | 11  | 7,5  |
| 40 | 15  | 11   |
| 63 | 22  | 18,5 |

**H216 - 41 ... - ED**  
**H220 - 41 ... - ED**  
**H226 - 41 ... - ED**  
**H233 - 41 ... - ED**  
**H263 - 41 ... - ED**

H200-B

Changeover with OFF  
Switching positions 1–0–2  
Switching angle 90°

3 ... 4

H200-E

|    |     |     |
|----|-----|-----|
| 20 | 5,5 | 3,7 |
| 25 | 7,5 | 5,5 |
| 32 | 11  | 7,5 |
| 40 | 15  | 11  |

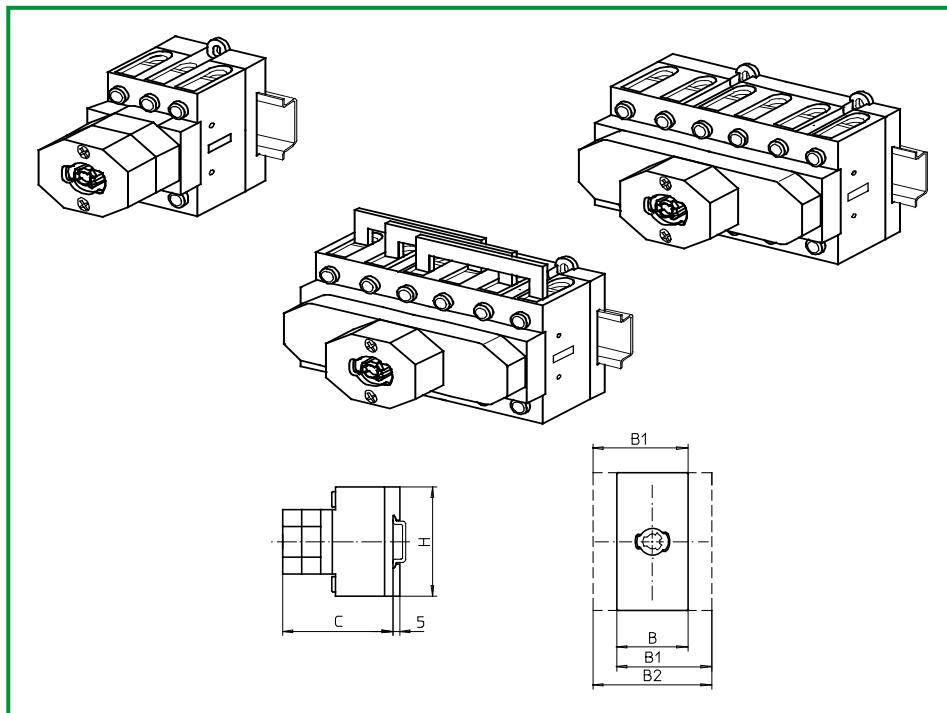
**H216 - 71 ... - ED**  
**H220 - 71 ... - ED**  
**H226 - 71 ... - ED**  
**H233 - 71 ... - ED**

### Dimensions (mm)

| Module    | H  | C  | C1 | B  | B1 | B2 |
|-----------|----|----|----|----|----|----|
| H200-A    | 70 | 54 | 81 | 36 | 48 | 60 |
| H200-B    | 70 | 54 | 81 | 50 | 69 | 88 |
| H200-D/-E | 70 | 62 | 81 | 72 | 84 | 96 |

# Switch Modules

# sälzer



**Product lines**  
H200-A/-B/-D/-E

## Switch Modules

for mounting forms in  
base mounting and  
enclosures

**Base mounting**  
Snap on mounting  
on DIN rail 35 mm

**E7** (IP20)

| Available Switching programmes<br><br>(as well with auxiliary/<br>main contact modules) | Poles    | Product lines | Rated data (IEC 60947)                            |  |            | Order code number<br>(Switching programme<br>to be added.) |
|---|----------|---------------|---|--|------------|--|
|   |          |               | Operational current I <sub>e</sub><br>AC-21A<br>A | Operational power<br>at 380–440V<br>AC-23A<br>kW | AC-3<br>kW |  |
| ON-OFF Switches<br>Switching positions 0–1<br>Switching angle 90°                       | 3 ... 8  | H200-A/-D     | 20  | 5,5  | 3,7        | H216 - 41 ... - E7   |
|   |          |               | 25  | 7,5  | 5,5        | H220 - 41 ... - E7   |
|   |          |               | 32  | 11   | 7,5        | H226 - 41 ... - E7   |
|   |          |               | 40  | 15   | 11         | H233 - 41 ... - E7   |
|   |          |               | 63  | 22   | 18,5       | H263 - 41 ... - E7   |
| Changeover with OFF<br>Switching positions 1–0–2<br>Switching angle 90°                 | 3 ... 4  | H200-E        | 20  | 5,5  | 3,7        | H216 - 71 ... - E7   |
|   |          |               | 25  | 7,5  | 5,5        | H220 - 71 ... - E7   |
|   |          |               | 32  | 11   | 7,5        | H226 - 71 ... - E7   |
|   |          |               | 40  | 15   | 11         | H233 - 71 ... - E7   |
| <b>Dimensions (mm)</b>  |          |               |   |  |            |  |
| <b>Module</b>   | <b>H</b> | <b>C</b>      | <b>B</b>  | <b>B1</b>  | <b>B2</b>  |  |
| H200-A  | 70       | 63            | 36  | 48   | 60         |  |
| H200-B  | 70       | 63            | 50  | 69   | 88         |  |
| H200-D/-E   | 70       | 71            | 72  | 84   | 96         |  |



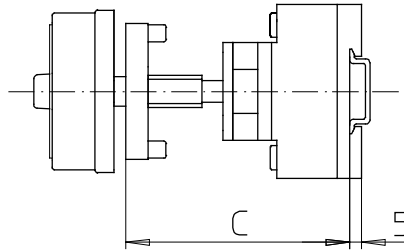
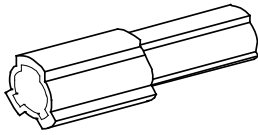


**Section D**

|   | Page        |             |
|---|-------------|-------------|
|   | from        | to          |
| <b>Shaft extensions</b>                 | <b>D1-1</b> | <b>D1-6</b> |
| <b>Covers</b>                           | <b>D2-1</b> | <b>D2-2</b> |
| <b>Additional top escutcheon plates</b> | <b>D3-1</b> | <b>D3-2</b> |
| <b>Assembly tool</b>                    | <b>D4-1</b> | <b>D4-1</b> |
| <b>Mounting sets</b>                    | <b>D5-1</b> | <b>D5-2</b> |

---

**Originator: Sälzer Electric GmbH · Product Data Management (PDM) · 09306 Rochlitz (Germany)**  
 Copyright reserved by Sälzer Electric GmbH. This document replaces all previous issues.  
 Valid until a new version is published. Changes and revisions reserved.



**Product lines  
H200-A/-B/-D/-E**

Metal shaft extension

for mounting forms with  
**Base mounting switch  
Door clutch**

**Four hole mounting  
front**

**AVD2**

**Modular shaft extension for use with door clutch**

Dimension C (internal depth, inside of door to top of DIN rail)

| Dimension | H200-A/-B        | H200-D/-E        | Number | Order code number |
|-----------|------------------|------------------|--------|-------------------|
| 0         | 092 . . . 109 mm | 100 . . . 117 mm | -      | -                 |
| 1         | 110 . . . 134 mm | 118 . . . 142 mm | 1      | AVD2              |
| 2         | 135 . . . 159 mm | 143 . . . 167 mm | 2      | AVD2              |
| 3         | 160 . . . 184 mm | 168 . . . 192 mm | 3      | AVD2              |
| 4         | 185 . . . 209 mm | 193 . . . 217 mm | 4      | AVD2              |

**Product lines H200**

AVD2 is suitable to extend the shaft:

231M1/231M4

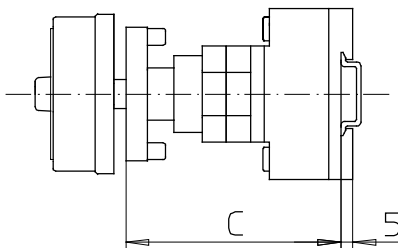
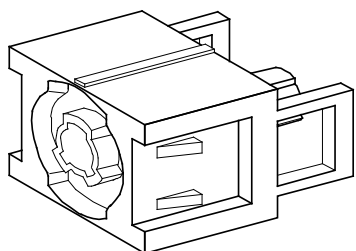
232M1/232M4  
232N1/232N4  
232V1/232V4

237M1/237M4  
237N1/237N4  
237V1/237V4

241M1

247M1

246V1/247V1



**Product lines  
H200-A/-B/-D/-E**

Metal shaft extension

for mounting forms with

**Base mounting  
switches**

**Door interlock**

**Four hole mounting  
front**

**AVC2 - .**

**Modular shaft extension for use with door interlock**

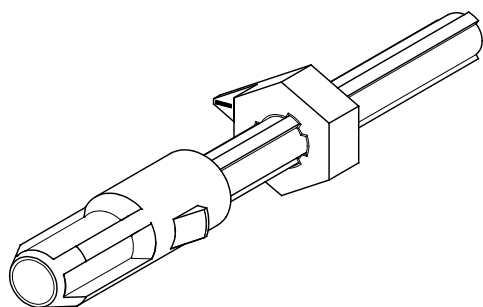
Dimension C (Internal depth, inside of door to top of DIN rail)

| Dimension | H200-A/-B        | H200-D/-E        | Number | Order code number |
|-----------|------------------|------------------|--------|-------------------|
| 0         | 092 . . . 107 mm | 100 . . . 115 mm | -      | -                 |
| 1         | 114 . . . 132 mm | 122 . . . 140 mm | 1      | <b>AVC2 - 1</b>   |
| 2         | 139 . . . 157 mm | 147 . . . 165 mm | 1      | <b>AVC2 - 2</b>   |
| 3         | 164 . . . 182 mm | 172 . . . 190 mm | 1      | <b>AVC2 - 3</b>   |
| 4         | 189 . . . 207 mm | 197 . . . 215 mm | 1      | <b>AVC2 - 4</b>   |

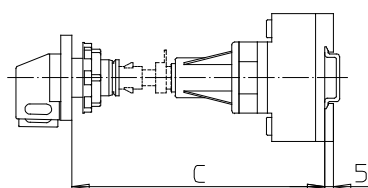
**Product lines H200**

AVC2-. is suitable to extend the shaft:

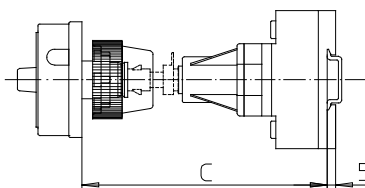
| without N/PE connection links | with N/PE connection links |
|-------------------------------|----------------------------|
| <b>234M1/234M4</b>            | <b>534M1/534M4</b>         |
| <b>234N1/234N4</b>            | <b>534N1/534N4</b>         |
| <b>234V1/234V4</b>            | <b>534V1/534V4</b>         |
| <b>235M1/235M4</b>            | <b>535M1/535M4</b>         |
| <b>238M1/238M4</b>            | <b>538M1/538M4</b>         |
| <b>238N1/238N4</b>            | <b>538N1/538N4</b>         |
| <b>238V1/238V4</b>            | <b>538V1/538V4</b>         |
| <b>242M1</b>                  | <b>542M1</b>               |
| <b>248M1</b>                  | <b>548M1</b>               |
| <b>248V1/249V1</b>            | <b>548V1/549V1</b>         |



Türkupplung



Door interlock



## Product lines H200-A/-B/-D/-E

Metal shaft extension

for mounting forms with

**Base mounting  
switches**

**Door clutch or  
Door interlock**

**Single hole mounting**

ø 22,5 mm front

## AVA8 - . . .

### Metal shaft extension for mounting forms with door clutch or door interlock and single hole mounting ø 22,5 mm front

Dimension C (Internal depth, outside of door to top of DIN rail)

| H200-A /-B       | H200-D/-E        | Order code number |
|------------------|------------------|-------------------|
| 155 . . . 173 mm | 163 . . . 181 mm | AVA8 - 065        |
| 174 . . . 198 mm | 182 . . . 206 mm | AVA8 - 090        |
| 199 . . . 223 mm | 207 . . . 231 mm | AVA8 - 115        |
| 224 . . . 248 mm | 232 . . . 256 mm | AVA8 - 140        |
| 249 . . . 273 mm | 257 . . . 281 mm | AVA8 - 165        |
| 274 . . . 298 mm | 282 . . . 306 mm | AVA8 - 190        |
| 299 . . . 323 mm | 307 . . . 331 mm | AVA8 - 215        |
| 324 . . . 348 mm | 332 . . . 356 mm | AVA8 - 240        |
| 349 . . . 373 mm | 357 . . . 381 mm | AVA8 - 265        |
| 374 . . . 398 mm | 382 . . . 406 mm | AVA8 - 290        |
| 399 . . . 423 mm | 407 . . . 431 mm | AVA8 - 315        |
| 424 . . . 448 mm | 432 . . . 456 mm | AVA8 - 340        |
| 449 . . . 473 mm | 457 . . . 481 mm | AVA8 - 365        |
| 474 . . . 498 mm | 482 . . . 506 mm | AVA8 - 390        |
| 499 . . . 523 mm | 507 . . . 531 mm | AVA8 - 415        |
| 524 . . . 548 mm | 532 . . . 556 mm | AVA8 - 440        |
| 549 . . . 573 mm | 557 . . . 581 mm | AVA8 - 465        |
| 574 . . . 598 mm | 582 . . . 606 mm | AVA8 - 490        |
| 599 . . . 623 mm | 607 . . . 631 mm | AVA8 - 515        |
| 624 . . . 643 mm | 632 . . . 656 mm | AVA8 - 540        |

### Product lines H200

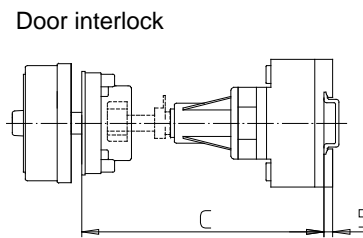
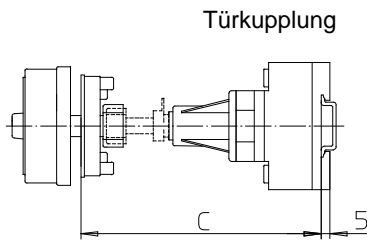
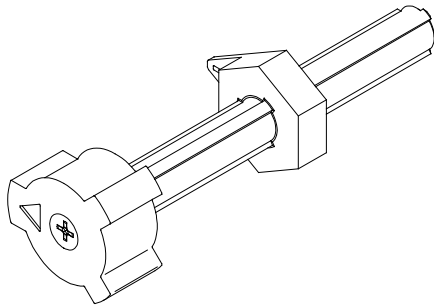
AVA8-... is suitable to extend the shaft:

#### Door clutch

280M1/280M4  
280N1/280N4  
280V1/280V4  
282M1  
284M1  
284V1/290V1  
286M1/286M4  
288V1/288V4

#### Door interlock

281M1/281M4  
281N1/281N4  
281V1/281V4  
283M1  
285M1  
285V1/291V1  
287M1/287M4  
289V1/28V4



## Product lines H200-A/-B/-D/-E

Metal shaft extension

for mounting forms with

**Base mounting  
switches  
Door clutch or  
Door interlock**

**Four hole mounting  
front**

**AVB8 - . . .**

### Metal shaft extension for mounting forms with door clutch or door interlock and four hole mounting front

Dimension C (Internal depth, inside of door to top of DIN rail)

| H200-A/-B      | H200-D/-E      | Order code number |
|----------------|----------------|-------------------|
| 140 ... 164 mm | 148 ... 172 mm | AVB8 - 065        |
| 165 ... 189 mm | 173 ... 197 mm | AVB8 - 090        |
| 190 ... 214 mm | 198 ... 222 mm | AVB8 - 115        |
| 215 ... 239 mm | 223 ... 247 mm | AVB8 - 140        |
| 240 ... 264 mm | 248 ... 272 mm | AVB8 - 165        |
| 265 ... 289 mm | 273 ... 297 mm | AVB8 - 190        |
| 290 ... 314 mm | 298 ... 322 mm | AVB8 - 215        |
| 315 ... 339 mm | 323 ... 347 mm | AVB8 - 240        |
| 340 ... 364 mm | 348 ... 372 mm | AVB8 - 265        |
| 365 ... 389 mm | 373 ... 397 mm | AVB8 - 290        |
| 390 ... 414 mm | 398 ... 422 mm | AVB8 - 315        |
| 415 ... 439 mm | 423 ... 447 mm | AVB8 - 340        |
| 440 ... 464 mm | 448 ... 472 mm | AVB8 - 365        |
| 465 ... 489 mm | 473 ... 497 mm | AVB8 - 390        |
| 490 ... 514 mm | 498 ... 522 mm | AVB8 - 415        |
| 515 ... 539 mm | 523 ... 547 mm | AVB8 - 440        |
| 540 ... 564 mm | 548 ... 572 mm | AVB8 - 465        |
| 565 ... 589 mm | 573 ... 597 mm | AVB8 - 490        |
| 590 ... 614 mm | 598 ... 622 mm | AVB8 - 515        |
| 615 ... 639 mm | 623 ... 649 mm | AVB8 - 540        |

#### Product lines H200

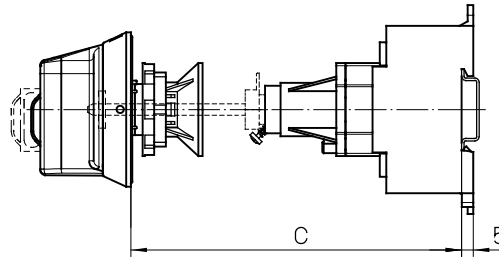
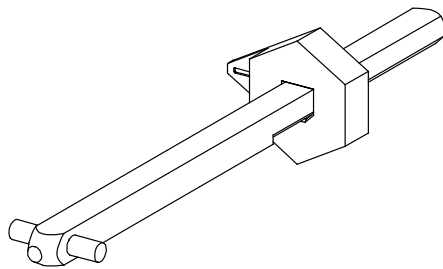
AVB8-... are suitable to extend the shaft:

#### Door clutch

431M1/431M4  
441M1  
442N1  
446V1/447V1  
432M1/432M4  
432N1/432N4  
432V1/432V4  
437M1/437M4  
437N1/437N4  
437V1/437V4

#### Door interlock

435M1/435M4  
481M1  
482N1  
449V1/482V1  
483M1/483M4  
483N1/483N4  
483V1/483V4  
484M1/484M4  
484N1/484N4  
484V1/484V4



**Product lines  
H200-A/-D**

**Base mounting switches**

**Defeatable  
door interlock  
Metal shaft extension**

**Single hole mounting**

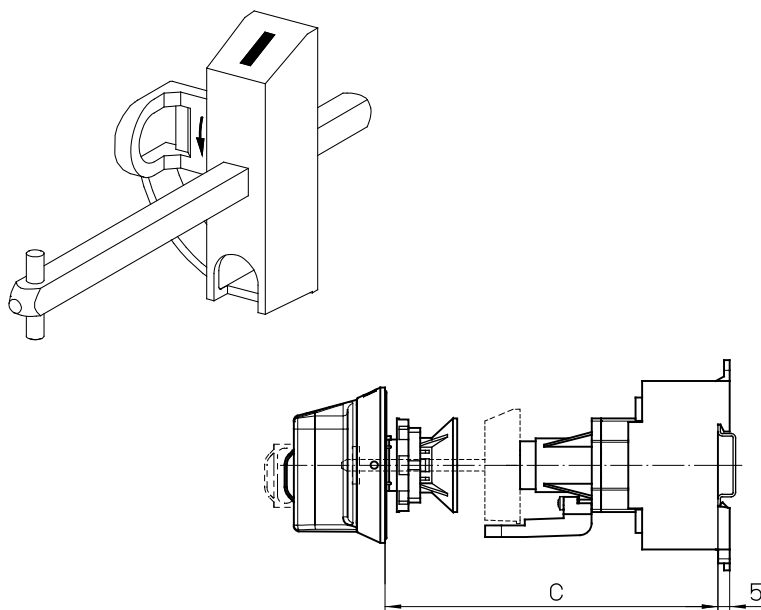
ø 22,5 mm front

**AVE5 - . . .**

Metal shaft extension for mounting forms with defeatable door interlock and single hole mounting ø 22,5 mm front

Dimension C (internal depth, outside of door to top of DIN rail)

| H200-A           | H200-D           | Order code number |
|------------------|------------------|-------------------|
| 122 . . . 137 mm | 130 . . . 145 mm | AVE5-088          |
| 137 . . . 152 mm | 145 . . . 160 mm | AVE5-103          |
| 152 . . . 167 mm | 160 . . . 175 mm | AVE5-118          |
| 167 . . . 182 mm | 175 . . . 190 mm | AVE5-133          |
| 182 . . . 197 mm | 190 . . . 205 mm | AVE5-148          |
| 197 . . . 212 mm | 205 . . . 220 mm | AVE5-163          |
| 212 . . . 227 mm | 220 . . . 235 mm | AVE5-178          |
| 227 . . . 242 mm | 235 . . . 250 mm | AVE5-193          |
| 242 . . . 257 mm | 250 . . . 265 mm | AVE5-208          |
| 257 . . . 272 mm | 265 . . . 280 mm | AVE5-223          |
| 272 . . . 287 mm | 280 . . . 295 mm | AVE5-238          |
| 287 . . . 302 mm | 295 . . . 310 mm | AVE5-253          |
| 302 . . . 317 mm | 310 . . . 325 mm | AVE5-268          |
| 317 . . . 332 mm | 325 . . . 340 mm | AVE5-283          |
| 332 . . . 347 mm | 340 . . . 355 mm | AVE5-298          |
| 347 . . . 362 mm | 355 . . . 370 mm | AVE5-313          |
| 362 . . . 377 mm | 370 . . . 385 mm | AVE5-328          |
| 377 . . . 392 mm | 385 . . . 400 mm | AVE5-343          |
| 392 . . . 407 mm | 400 . . . 415 mm | AVE5-358          |
| 407 . . . 422 mm | 415 . . . 430 mm | AVE5-373          |
| 422 . . . 437 mm | 430 . . . 445 mm | AVE5-388          |
| 437 . . . 452 mm | 445 . . . 460 mm | AVE5-403          |
| 452 . . . 467 mm | 460 . . . 475 mm | AVE5-418          |
| 467 . . . 482 mm | 475 . . . 490 mm | AVE5-433          |
| 482 . . . 497 mm | 490 . . . 505 mm | AVE5-448          |
| 497 . . . 512 mm | 505 . . . 520 mm | AVE5-463          |
| 512 . . . 527 mm | 520 . . . 535 mm | AVE5-478          |
| 527 . . . 542 mm | 535 . . . 550 mm | AVE5-493          |
| 542 . . . 557 mm | 550 . . . 565 mm | AVE5-508          |
| 557 . . . 572 mm | 565 . . . 580 mm | AVE5-523          |
| 572 . . . 587 mm | 580 . . . 595 mm | AVE5-538          |
| 587 . . . 602 mm | 595 . . . 610 mm | AVE5-553          |
| 602 . . . 617 mm | 610 . . . 625 mm | AVE5-568          |



**Product lines**  
H200-A/-D

**Base mounting switches**

**Defeatable**  
**door interlock with**  
**maintenance handle**  
Metal shaft extension

**Single hole mounting**  
ø 22,5 mm front

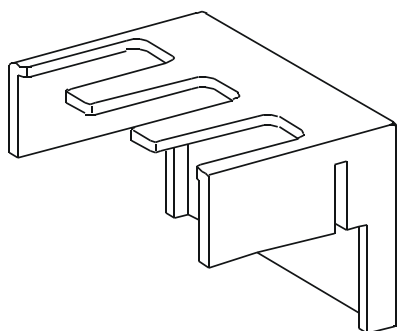
**AVF5 - ...**

**Metal shaft extension for mounting forms with defeatable door interlock and single hole mounting ø 22,5 mm front, Additional lockable maintenance handle**

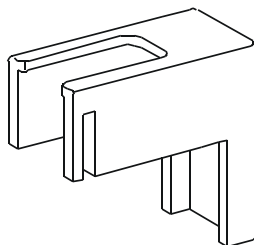
**Dimension C (internal depth, outside of door to top of DIN rail)**

| H200-A         | H200-D         | Order code number |
|----------------|----------------|-------------------|
| 132 ... 137 mm | 140 ... 145 mm | AVF5-088          |
| 137 ... 152 mm | 145 ... 160 mm | AVF5-103          |
| 152 ... 167 mm | 160 ... 175 mm | AVF5-118          |
| 167 ... 182 mm | 175 ... 190 mm | AVF5-133          |
| 182 ... 197 mm | 190 ... 205 mm | AVF5-148          |
| 197 ... 212 mm | 205 ... 220 mm | AVF5-163          |
| 212 ... 227 mm | 220 ... 235 mm | AVF5-178          |
| 227 ... 242 mm | 235 ... 250 mm | AVF5-193          |
| 242 ... 257 mm | 250 ... 265 mm | AVF5-208          |
| 257 ... 272 mm | 265 ... 280 mm | AVF5-223          |
| 272 ... 287 mm | 280 ... 295 mm | AVF5-238          |
| 287 ... 302 mm | 295 ... 310 mm | AVF5-253          |
| 302 ... 317 mm | 310 ... 325 mm | AVF5-268          |
| 317 ... 332 mm | 325 ... 340 mm | AVF5-283          |
| 332 ... 347 mm | 340 ... 355 mm | AVF5-298          |
| 347 ... 362 mm | 355 ... 370 mm | AVF5-313          |
| 362 ... 377 mm | 370 ... 385 mm | AVF5-328          |
| 377 ... 392 mm | 385 ... 400 mm | AVF5-343          |
| 392 ... 407 mm | 400 ... 415 mm | AVF5-358          |
| 407 ... 422 mm | 415 ... 430 mm | AVF5-373          |
| 422 ... 437 mm | 430 ... 445 mm | AVF5-388          |
| 437 ... 452 mm | 445 ... 460 mm | AVF5-403          |
| 452 ... 467 mm | 460 ... 475 mm | AVF5-418          |
| 467 ... 482 mm | 475 ... 490 mm | AVF5-433          |
| 482 ... 497 mm | 490 ... 505 mm | AVF5-448          |
| 497 ... 512 mm | 505 ... 520 mm | AVF5-463          |
| 512 ... 527 mm | 520 ... 535 mm | AVF5-478          |
| 527 ... 542 mm | 535 ... 550 mm | AVF5-493          |
| 542 ... 557 mm | 550 ... 565 mm | AVF5-508          |
| 557 ... 572 mm | 565 ... 580 mm | AVF5-523          |
| 572 ... 587 mm | 580 ... 595 mm | AVF5-538          |
| 587 ... 602 mm | 595 ... 610 mm | AVF5-553          |
| 602 ... 617 mm | 610 ... 625 mm | AVF5-568          |

# Accessories



TCA2



TCB2

**Product lines  
H200-A/-D**

**Terminal covers**

for ON-OFF Switches

**Front or base mounting**

**TCA2 /TCB2**

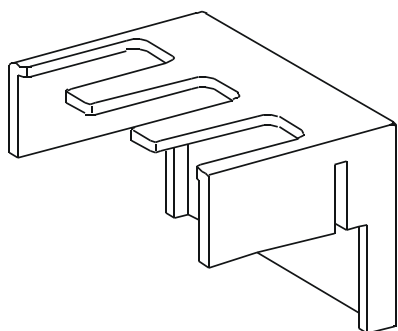
**Terminal covers**

**Order code number**

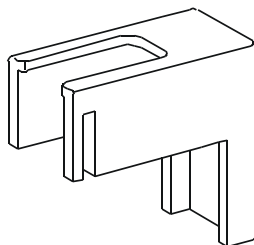
Product lines H200-A and H200-D  
Main/Emergency-Off Switches

| Switching programmes<br>from . . . up to . . . | TCA2<br>number | TCB2<br>number | Total<br>number | Terminal cover |             |
|--|----------------|----------------|-----------------|----------------|-------------|
|  |                |                |                 | 3 pole         | 1 pole      |
| 41300 41340                                    | 1              | 0              | 1               | <b>TCA2</b>    | –           |
| 41400 41420                                    | 1              | 1              | 2               | <b>TCA2</b>    | <b>TCB2</b> |
| 41600 41640                                    | 2              | 0              | 2               | <b>TCA2</b>    | –           |
| 41800 41800                                    | 2              | 2              | 4               | <b>TCA2</b>    | <b>TCB2</b> |





TCC2



TCD2

**Produktreihe  
H200-B**

**Terminal covers**

for ON-OFF Switches

**Front or base mounting**

**TCC2 /TCD2**

**Klemmenabdeckungen**

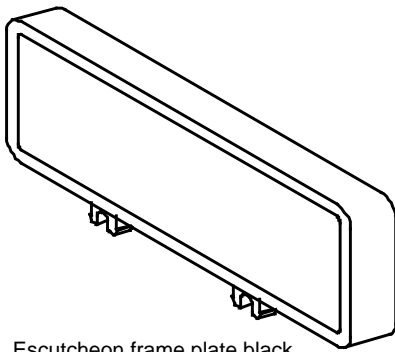
**Order code number**

Product lines H200-B  
Main/Emergency-Off Switches

| Switching programmes<br>from . . . up to . . . | TCC2<br>number | TCD2<br>number | Total<br>number | Terminal cover |             |
|--|----------------|----------------|-----------------|----------------|-------------|
|  |                |                |                 | 3 pole         | 1 pole      |
| 41300 41340                                    | 1              | 0              | 1               | <b>TCC2</b>    | –           |
| 41400 41420                                    | 1              | 1              | 2               | <b>TCC2</b>    | <b>TCD2</b> |

## Accessories

**sälzer**



Escutcheon frame plate black  
(without legend plate) FAZ2



FAZ2 - 8041

**Product lines  
H200-A/-B/-D/-E**

**Additional top  
escutcheon plates**

to put on escutcheons  
and padlock devices  
(also in connection with  
enclosures)

**FAZ2 - . . . .**

### Additional top escutcheon plates

with additional inscription to be clipped on the escutcheon and padlock devices

Escutcheon frame plate black, legend plate silver, without inscription (can be engraved)

Escutcheon frame plate black, legend plate silver, inscription FA 8...\*

Escutcheon frame plate black, legend plate silver, special inscription

Escutcheon frame plate black, legend plate yellow, without inscription (can be engraved)

Escutcheon frame plate black, legend plate yellow, inscription FA 8...\*

Escutcheon frame plate black, legend plate yellow, special inscription

Escutcheon frame plate black (without Legend plate)

**FAZ2 - 8000**

**FAZ2 - 8 . . .**

**FAZ2 - (special no.)**

**FBZ2 - 8000**

**FBZ2 - 8 . . .**

**FBZ2 - (special no.)**

**FAZ2**

### Legend plates

Legend plate silver without inscription (can be engraved)

Legend plate silver, inscription FA 8...\*

Legend plate silver, special inscription

Legend plate yellow without inscription (can be engraved)

Legend plate yellow, inscription FA 8...\*

Legend plate yellow, special inscription

**FAS2 - 8000**

**FAS2 - 8 . . .**

**FAS2 - (special no.)**

**FBS2 - 8000**

**FBS2 - 8 . . .**

**FBS2 - (special no.)**

\* inscription FA 8... see next page

|               |              |
|---------------|--------------|
| HAUPTSCHALTER | MAIN SWITCH  |
| ÖFFNEN IN     | OPEN IN      |
| ○-STELLUNG    | OFF-POSITION |

Example: Legend plate silver **FAS2 - 8041**  
for top escutcheon plate FAZ2-8041

**Product lines**  
**H200-A/-B/-D/-E**

**Legend plates**  
for additional top  
escutcheon plates

**FAS2 - 8 . . .**  
**FBS2 - 8 . . .**

### Legend plates for additional top escutcheon plates

Legend plate silver without inscription (can be engraved)  
Legend plate silver, inscription FA 8...  
Legend plate silver, special inscription

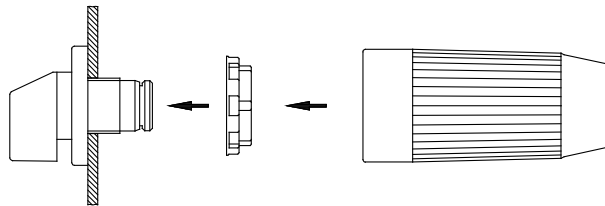
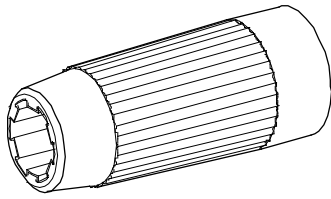
Legend plate yellow without inscription (can be engraved)  
Legend plate yellow, inscription FA 8...  
Legend plate yellow, special inscription

**FAS2 - 8000**  
**FAS2 - 8 . . .**  
**FAS2 - (special no.)**

**FBS2 - 8000**  
**FBS2 - 8 . . .**  
**FBS2 - (special no.)**

Legend plates, inscription FA 8...

|                           |  |  |  |  |  |
|---------------------------|--|--|--|--|--|
|                           | HAUPTSCHALTER<br>FA 8001                               | MAIN SWITCH<br>FA 8002                                       | NETZSCHALTER<br>FA 8003  | WAHLSCHALTER<br>FA 8004  | SELECTOR<br>FA 8005  |
| BETRIEBSART<br>FA 8006    | ISOLATOR<br>FA 8007                                    | GLEISWAHL<br>FA 8008   | STEUERUNG<br>FA 8009   | FEIN<br>FA 8010  | GROB<br>FA 8011  |
| PUMPE<br>FA 8012          | NOT-AUS<br>FA 8013                                     | SYNCHRONIZING<br>FA 8014                                     | WATTMETER<br>FA 8015   | AMMETER<br>FA 8016   | VOLTMETER<br>AMMETER<br>FA 8017                                      |
| VOLTMETER<br>FA 8018      | MOTOR CONTROL<br>FA 8019                               | HEIZUNG<br>FA 8021   | KEUZSCHAKELAAR<br>FA 8023  | SCHWEISSEN<br>FA 8024  | ⚡ ÄTTUNG<br>FA 8025  |
| EMERGENCY OFF<br>FA 8026  | TURVAKYTKIN<br>FA 8027                                 | HAUPTSCHALTER<br>NUR IN STELLUNG ○ ÖFFNEN<br>FA 8028         | MAIN SWITCH<br>OPEN ONLY IN POSITION "OFF"<br>FA 8029                                | INTERRUTTORE GENERALE<br>ARRIARE SOLO MANIPOLA SU<br>ZERO<br>FA 8030     | INTERRUPTEUR PRINCIPAL<br>OUVRIRE EN POSITION ○ SEULEMENT<br>FA 8031 |
| VOLTIMETRO<br>FA 8032     | AMPERIMETRO<br>FA 8033                                 | VATIMETRO<br>FA 8034   | CONTROL<br>FA 8035   | BOMBA<br>FA 8036   | INTERRUPTOR<br>FA 8037   |
| CALEFACCION<br>FA 8038    | HOOFDSCHAKELAAR<br>ALLEEN IN ○-STAND OPENEN<br>FA 8039 | INTERRUPTOR PRINCIPAL<br>ABRIR SOLO EN POSICION ○<br>FA 8040 | HAUPTSCHALTER MAIN SWITCH<br>ÖFFNEN IN OPEN IN<br>○-STELLUNG OFF-POSITION<br>FA 8041 | <b>DANGER</b><br>ISOLATE MAIN SUPPLY<br>BEFORE REMOVING COVER<br>FA 8042 | HUVUDBRYTARE<br>FA 8044  |
| HLAVNÍ VYPÍNAČ<br>FA 8045 | HLAVNÍ VYPÍNAČ<br>OTEVŘÍT POUZE V POLOZE ○<br>FA 8046  |  |  |  |  |



**Product lines**  
H200-A/-B/-C/-D/-E

**Assembly tool**

for switches with  
**Single hole mounting**  
ø 22,5 mm and ø 30,5 mm

**218098**

**Assembly tool**

suitable for a fast assembly of the single hole mounting together with  
escutcheon/padlock device resp. door clutch/door interlock on mounting forms:

203V1  
204M1, 204V4  
205M1, 205M4  
206M1, 206M4

206N1, 206N4  
206V1, 206V4  
208M1  
209M1

213V1  
214M1, 214V1  
215V1, 215V4  
215M1, 215M4

216M1, 216M4  
216N1, 216N4  
216V1, 216V4  
218M1

219M1  
226V1, 226V4

280M1, 280M4  
280N1, 280N4  
280V1, 280V4  
281M1, 281M4

281N1, 281N4  
281V1, 281V4  
282M1  
283M1

285M1, 285V1  
284M1, 284V1  
286M1, 286M4  
287M1, 287M4

288V1, 288V4  
289V1, 289V4  
290V1  
291V1

311M1, 311M4  
311N1, 311N4

312M1, 312M4  
312N1, 312N4  
313M1, 313M4  
313N1, 313N4

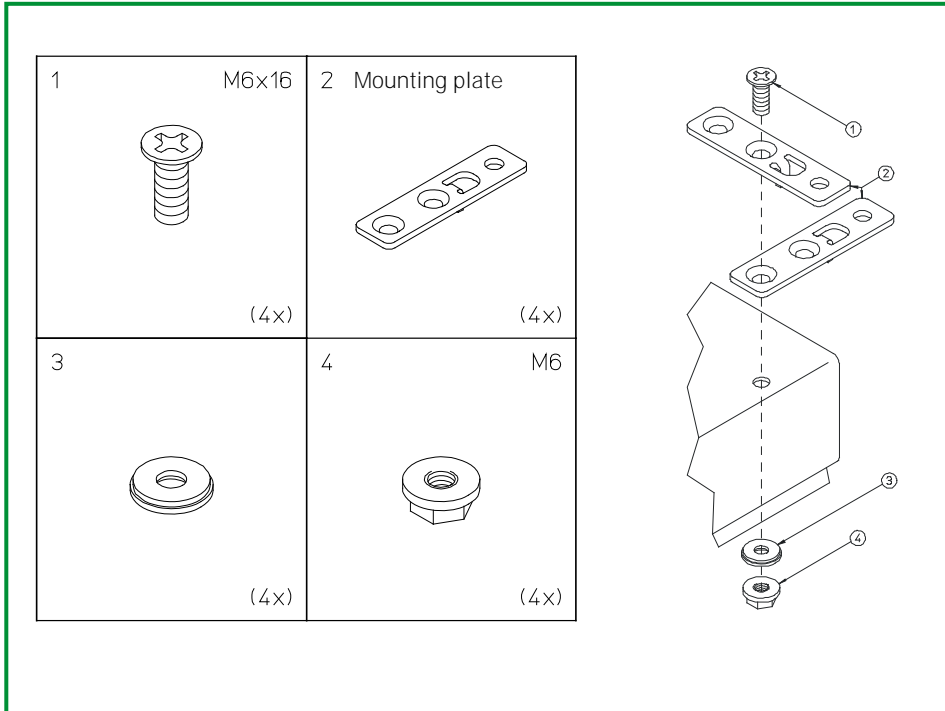
314M1, 314M4  
314N1, 314N4  
315M1, 315M4  
315N1, 315N4

316M1, 316M4  
316N1, 316N4  
317M1, 317M4  
317N1, 317N4

318M1, 318M4  
318N1, 318N4  
319M1, 319M4  
319N1, 319N4

320M1, 320M4  
320N1, 320N4

# Accessories



**Product linese  
H200-A/-E**

**Mounting plate**

**1 set per  
mild steel enclosure**

Size of enclosure  
150 x 150 x 120 mm  
200 x 150 x 120 mm

**SAX1**

**Mounting plate – 1 set –**

suitable for **mounting the mild steel enclosure on walls etc.** for mounting forms:

150x150x120mm

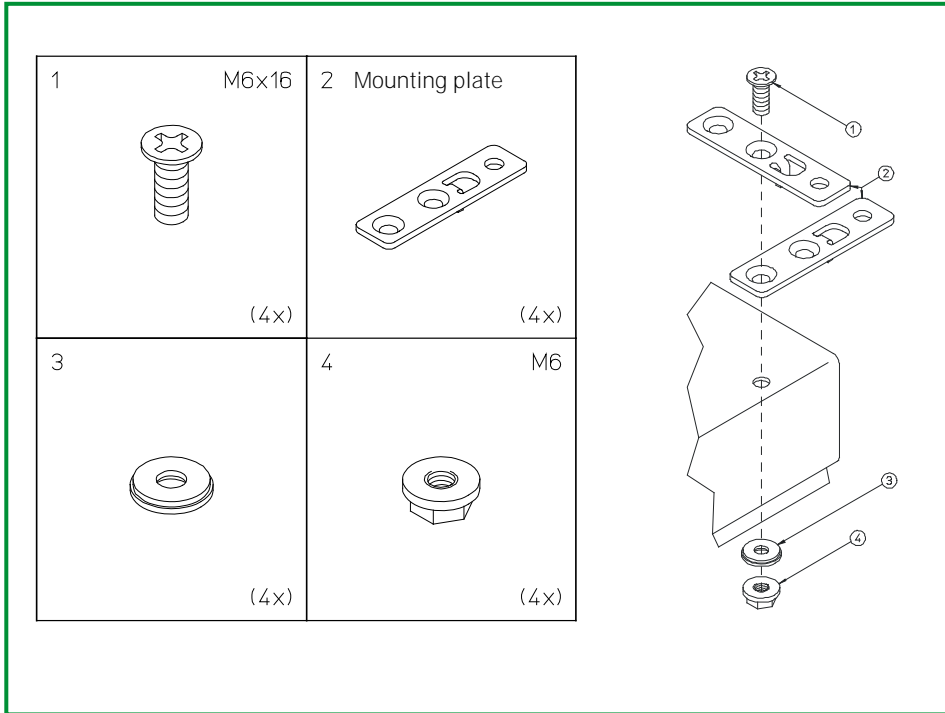
**086M1  
087M1, 087M4  
087N1, 087N4  
087V1, 087V4**

200x150x120mm

**186M1, 186V1  
187M1, 187M4  
187N1, 187N4  
187V1, 187V4**

**188M1, 188V1**

# Accessories



**Product lines  
H200-A/-E**

**Mounting plate**

**1 set per  
stainless steel  
enclosure**

Size of enclosure  
150 x 150 x 120 mm  
200 x 150 x 120 mm

**SBX1**

**Mounting plate – 1 set –**

suitable for **mounting the stainless steel enclosure on walls etc.** for mounting forms:

150x150x120mm

**096M1  
097M1, 097M4  
097N1, 097N4  
097V1, 087V4**

200x150x120mm

**196M1, 196V1  
197M1, 197M4  
197N1, 197N4  
197V1, 197V4**

**198M1, 198V1**



## Faster deliveries through SMD

In order to ensure even greater flexibility for worldwide supply availability within 24h, Sälzer Electric has introduced the SMD (Sälzer Modular Design) system.

SMD modules are individually prefabricated and tested all-in-one modules which SMD Service holds in stock in sufficient quantities. From basic switch modules, mounting form modules and operator modules, SMD Service can assemble a complete switch requested by the customer and pack it ready for delivery in just a few actions.

– back –