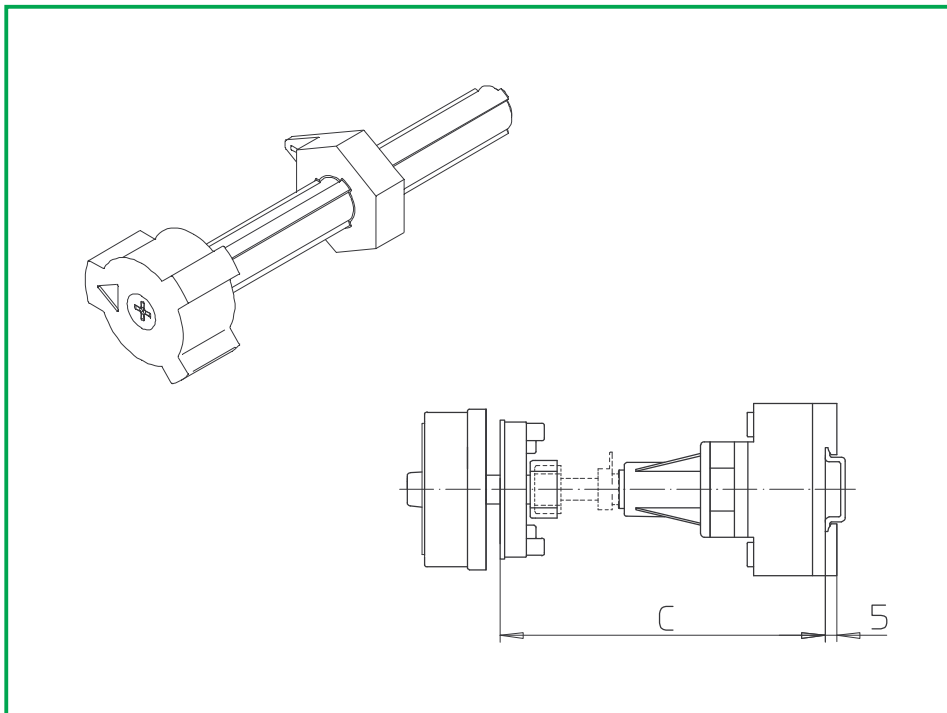


# Metal shaft extension



**Product lines**  
B200-A/ -D/ -E

**Base mounting switch**

**Door interlock**  
Metal shaft extension

**Four hole mounting**  
front

**AVB8 - . . .**

**Metal shaft extension for use with door interlock and four hole mounting front**

Dimension C (internal depth, inside of door to top of DIN rail)

| B200-A           | B200-D/ -E       | Order code number |
|------------------|------------------|-------------------|
| 140 . . . 164 mm | 152 . . . 176 mm | AVB8 - 065        |
| 165 . . . 189 mm | 177 . . . 201 mm | AVB8 - 090        |
| 190 . . . 214 mm | 202 . . . 226 mm | AVB8 - 115        |
| 215 . . . 239 mm | 227 . . . 251 mm | AVB8 - 140        |
| 240 . . . 264 mm | 252 . . . 276 mm | AVB8 - 165        |
| 265 . . . 289 mm | 277 . . . 301 mm | AVB8 - 190        |
| 290 . . . 314 mm | 302 . . . 326 mm | AVB8 - 215        |
| 315 . . . 339 mm | 327 . . . 351 mm | AVB8 - 240        |
| 340 . . . 364 mm | 352 . . . 376 mm | AVB8 - 265        |
| 365 . . . 389 mm | 377 . . . 401 mm | AVB8 - 290        |
| 390 . . . 414 mm | 402 . . . 426 mm | AVB8 - 315        |
| 415 . . . 439 mm | 427 . . . 451 mm | AVB8 - 340        |
| 440 . . . 464 mm | 452 . . . 476 mm | AVB8 - 365        |
| 465 . . . 489 mm | 477 . . . 501 mm | AVB8 - 390        |
| 490 . . . 514 mm | 502 . . . 526 mm | AVB8 - 415        |
| 515 . . . 539 mm | 527 . . . 551 mm | AVB8 - 440        |
| 540 . . . 564 mm | 552 . . . 576 mm | AVB8 - 465        |
| 565 . . . 589 mm | 577 . . . 601 mm | AVB8 - 490        |
| 590 . . . 614 mm | 602 . . . 626 mm | AVB8 - 515        |
| 615 . . . 639 mm | 627 . . . 651 mm | AVB8 - 540        |