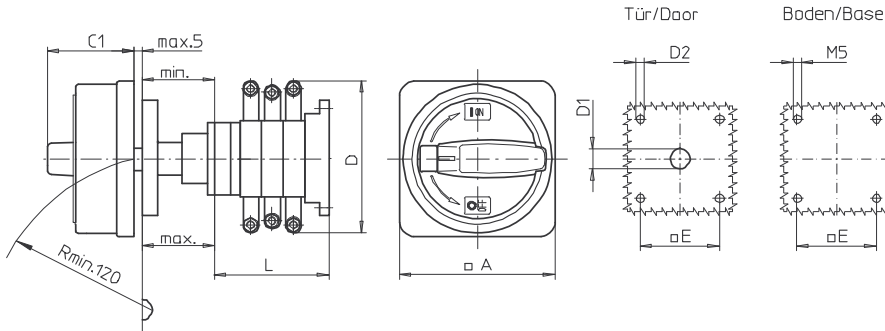
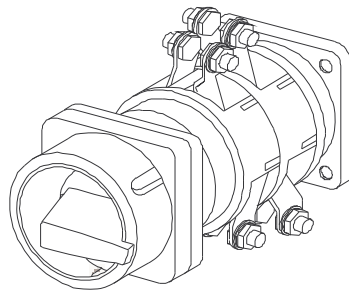


Base Mounting Switches



**Product line
K616**

Base mounting switch

Door interlock

Four hole mounting

68 x 68 mm base
68 x 68 mm front

034M1 (IP55)

034M4 (IP55)

Complete Switch	Poles	Product lines	Rated Data (IEC 60947)			Order Code Number							
			Operational current I _e	Operational power at 380–440V									
			AC-21A A	AC-23A kW	AC-3 kW								
Main Switches Switching angle 90° OFF position padlockable 09h	3 ... 8	K616	160	75	45	K616 - 41 ... - 034M1							
Main/Emergency-Off Switches Switching angle 90° OFF position padlockable 09h	3 ... 8	K616	160	75	45	K616 - 41 ... - 034M4							
SMD modules for basic switch		(GA A02)	K616			BFA6 - 042							
Mounting form module for 034M.						6KM1							
M-padlock device 88 x 88 mm, mounting form 034M1 Escutcheon black, padlockable handle black													
M-padlock device 88 x 88 mm, mounting form 034M4 Escutcheon yellow, padlockable handle red						6KM4							
Dimensions (mm)													
Type	A	C1	D*	D1	D2	E	min.	max	L with ... stages				
K616	88	50	150	15	5,5	68	48	60	1	2	3	4	
									72	104	136	168	
Switching programmes 41300, 41400, 41600, 41800													

* terminal lugs included