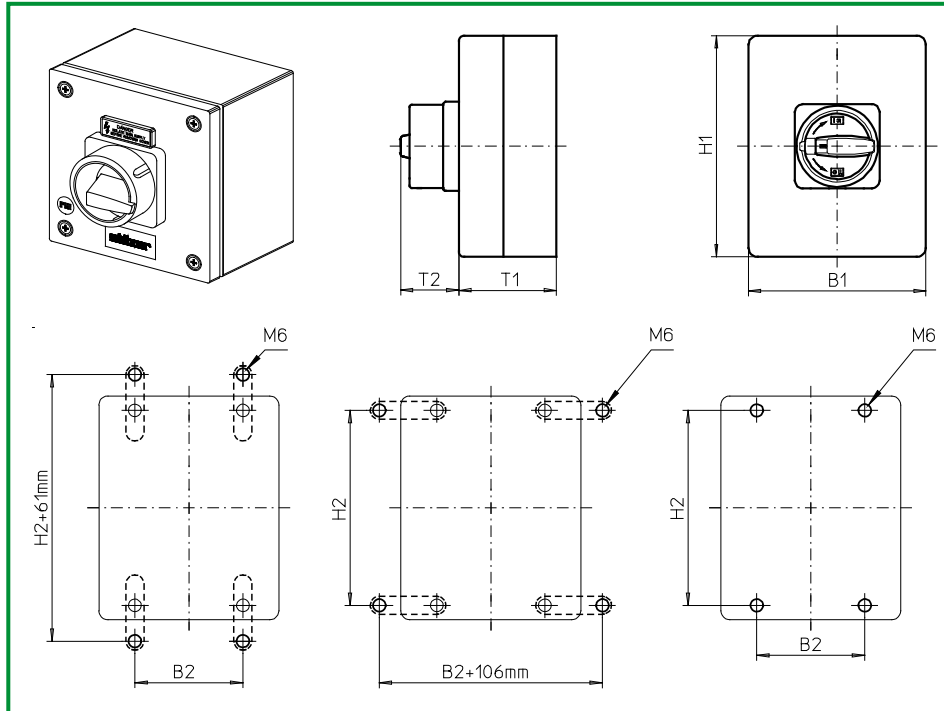


# Enclosed Switches



**Product line**  
**H200-A**

**Enclosed switch**

**Mild steel enclosure**

150 x 150 x 120 mm

with cover interlock  
in ON position

with N/PE connection link

**087M1 (IP66)**

**087M4 (IP66)**

Complete switch	Poles	Product lines	Rated data (IEC 60947)			Order code number
			Operational current I <sub>e</sub>	Operational power at 380–440V		
			AC-21A A	AC-23A kW	AC-3 kW	
Main Switches OFF position padlockable 09h	3 ... 4	H200-A	20	5,5	3,7	<b>H216 - 41 ... - 087M1</b>
			25	7,5	5,5	<b>H220 - 41 ... - 087M1</b>
			32	11	7,5	<b>H226 - 41 ... - 087M1</b>
Main/Emergency-Off Switches OFF position padlockable 09h	3 ... 4	H200-A	20	5,5	3,7	<b>H216 - 41 ... - 087M4</b>
			25	7,5	5,5	<b>H220 - 41 ... - 087M4</b>
			32	11	7,5	<b>H226 - 41 ... - 087M4</b>
<b>SMD modules for basic switch A02</b>						
Mounting form module (switch module ED)			H200-A			<b>BFA2 - ED</b>
Enclosure module, mounting form 087M1			H200-A			<b>SAH2 - 087M1</b>
Enclosure module, mounting form 087M4			H200-A			<b>SAH2 - 087M4</b>
<b>Accessories</b>						
<b>Mounting brackets</b> for enclosure modules SA (1 set)						<b>SAX1</b>
<b>Dimensions (mm)</b>						
<b>Product line</b>	<b>H1</b>	<b>B1</b>	<b>T1</b>	<b>T2</b>	<b>H2</b>	<b>B2</b>
H200-A	150	150	120	38	132	85