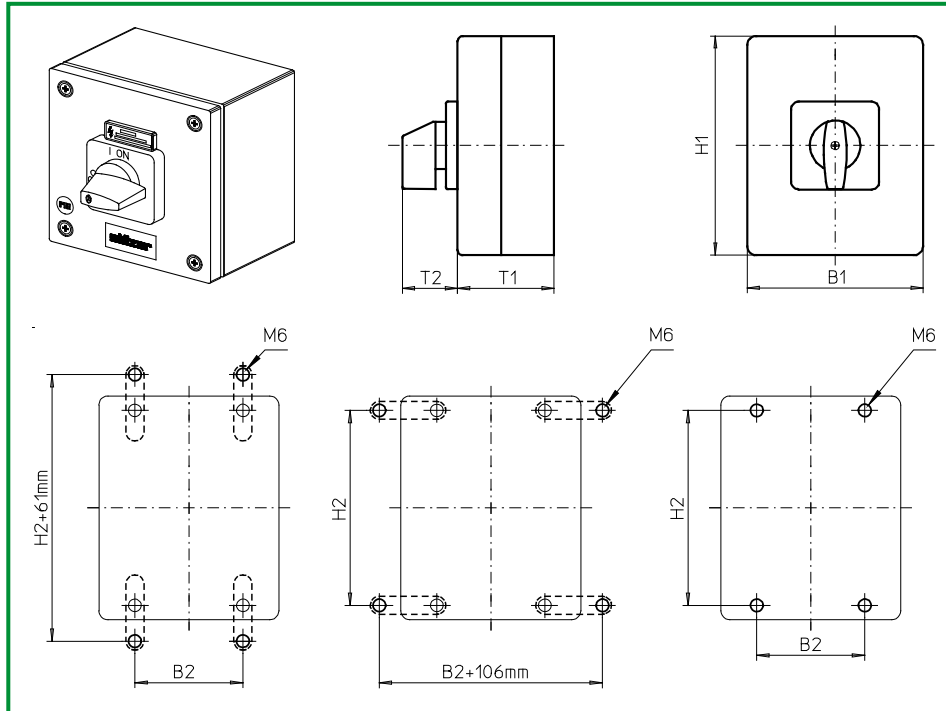


# Enclosed Switches



**Product line  
H200-A**

**Enclosed switch**

**Mild steel enclosure**  
150 x 150 x 120 mm

with cover interlock  
in ON position

with N/PE connection link

**086M1 (IP66)**

Complete switch	Poles	Product lines	Rated data (IEC 60947)			Order code number
			Operational current I <sub>e</sub>	Operational power at 380–440V		
			AC-21A A	AC-23A kW	AC-3 kW	
ON-OFF Switches Switching angle 90°	3 ... 4	H200-A	20 25 32	5,5 7,5 11	3,7 5,5 7,5	<b>H216 - 41 ... - 086M1</b> <b>H220 - 41 ... - 086M1</b> <b>H226 - 41 ... - 086M1</b>
<b>SMD modules for basic switch A02</b>						
Mounting form module (switch module ED)				H200-A		<b>BFA2 - ED</b>
Enclosure module, mounting form 086M1				H200-A		<b>SAH2 - 086M1</b>
Legend plate silver, enclosure module 086M1				H200-A		<b>FAS4 - 9...</b> (FA number)
<b>Accessories</b>						
<b>Mounting brackets</b> for enclosure modules SA (1 set)						<b>SAX1</b>
<b>Dimensions (mm)</b>						
<b>Product line</b>	<b>H1</b>	<b>B1</b>	<b>T1</b>	<b>T2</b>	<b>H2</b>	<b>B2</b>
H200-A	150	150	120	39	132	85