

Front Mounting Switches

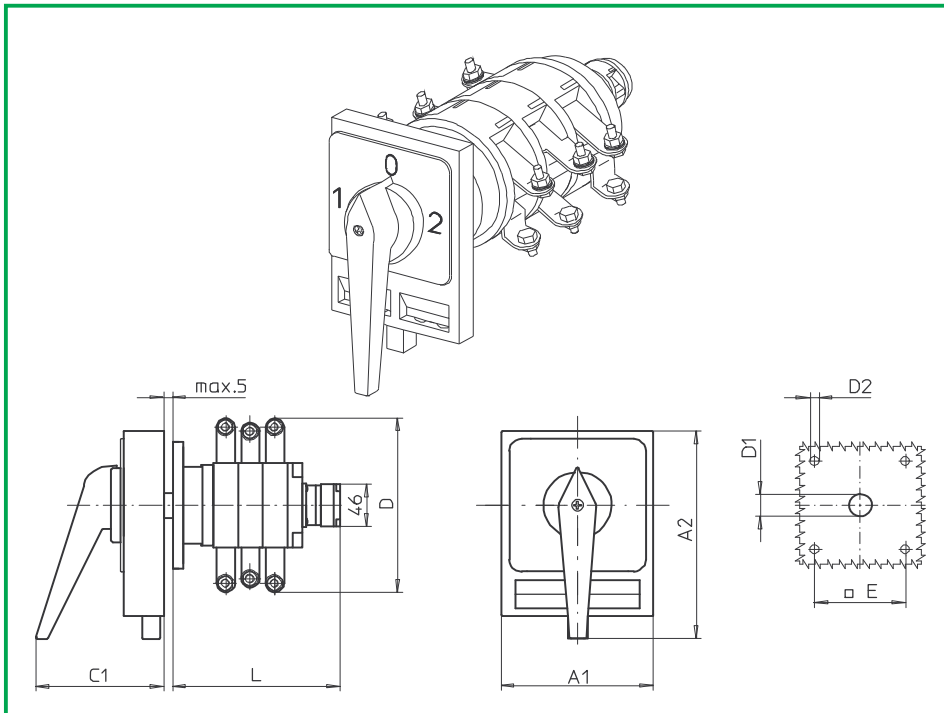
sälzer

**Product line
K830**

Front mounting switch

Four hole mounting
104 x 104 mm

003H1 (IP55)
004H1 (IP55)



Complete Switch	Poles	Product lines	Rated Data (IEC 60947)			Order Code Number
			Operational current I _e AC-21A A	Operational power at 380–440V AC-23A kW	AC-3 kW	
Changeover with OFF Switching angle 90° OFF position padlockable 12h	3 ... 4	K830	315	132	55	K830 - 71 ... - 003H1
Changeover with OFF Switching angle 90° 3 positions padlockable (09h/12h/03h)	3 ... 4	K830	315	132	55	K830 - 71 ... - 004H1

SMD modules for basic switch	(GA A01)		
Mounting form module for 003H1/ 004H1		K830	BFA8 - 003
H-operator module 130 x 160 mm, mounting form 003H1 Padlock device black, H-handle black			8BH1 - 12
H-operator module 130 x 160 mm, mounting form 004H1 Padlock device black, H-handle black			8BH1 - 99
Legend plate silver, operator module 003H1/ 004H1			FAS8 - (FA number)

Dimensions (mm)							
Product line	A1	A2	C1	D*	D1	D2	E
K830	130	178	93	210	20	5,5	104

Switching programmes ¹⁾	
Dimension L	Changeover Switches
161	71300
197	71400
209	71311, 71320

* Terminal lugs included
¹⁾ Examples, other switching programmes on request