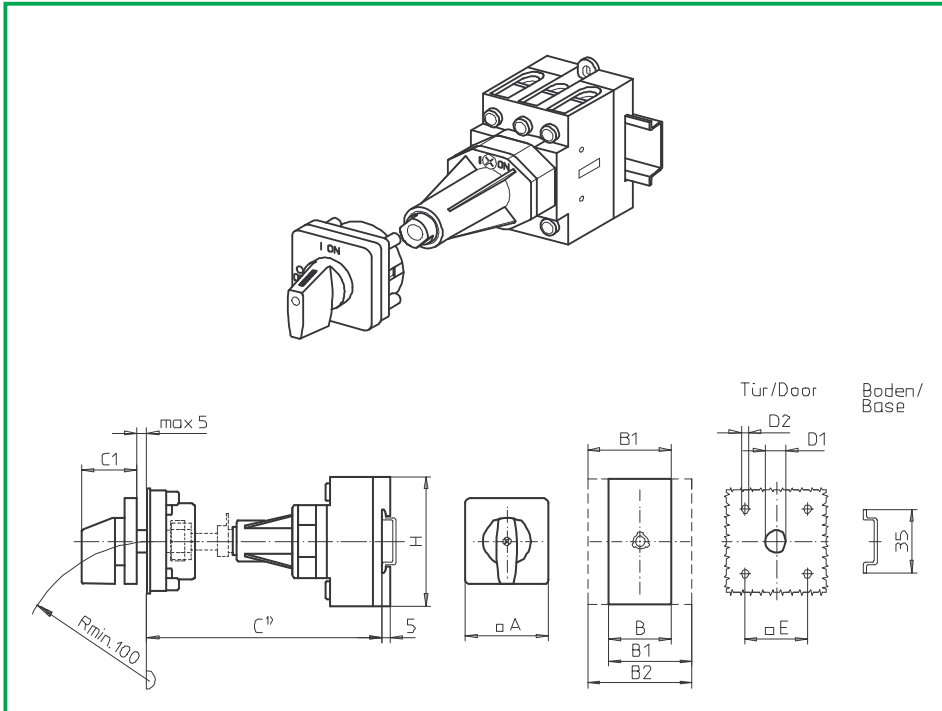


Base Mounting Switches

sälzer



**Product line
B200-A**

Base mounting switch

Door interlock
Metal shaft extension

Four hole mounting
36 x 36 mm front

481M1 (IP66)

Complete switch	Poles	Product lines	Rated data (IEC 60947)			Order code number
			Operational current I _e	Operational power at 380–440 V		
			AC-21A A	AC-23A kW	AC-3 kW	
ON-OFF Switches Switching angle 90°	3 ... 4	B200-A	50 63	18,5 22	15 18,5	B250 - 41 ... - 481M1 B263 - 41 ... - 481M1

SMD modules for basic switch A02						
Mounting form module for 481M1				B200-A		BFB2 - 481
M-operator module 48 x 48 mm, mounting form 481M1 Escutcheon black, handle black						2AM1
Legend plate silver, operator module 481M1						FAS2 - 9... (FA number)

Dimensions (mm)									
Product lines	A	B	B1	B2	C1	D1	D2	E	H
B200-A	48	50	69	88	32	15	4,5	36	72

C¹⁾ Internal depth, inside of door to top of DIN rail. Metal shaft is not included. Please order separately. See page B8-11.