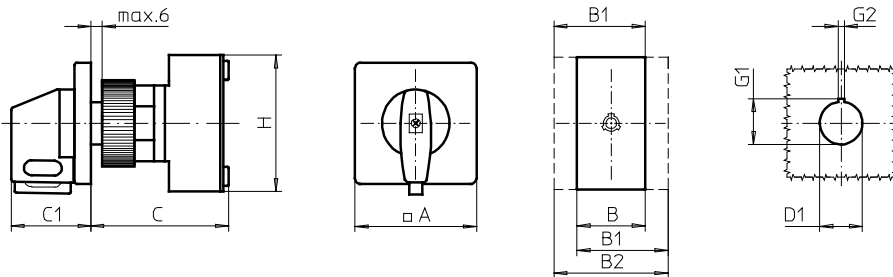
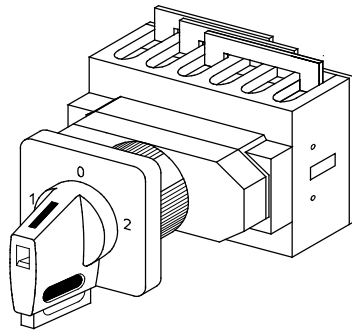


# Front Mounting Switches

**sälzer**



**Product line  
H200-E**

**Front mounting switch**  
Operator module of next size

**Single hole mounting**  
ø 30,5 mm

**204V1 (IP66)**  
**203V1 (IP66)**

Complete switch	Poles	Product lines	Rated data (IEC 60947)			Order code number				
			Operational current I <sub>e</sub>	Operational power at 380–440V						
			AC-21A A	AC-23A kW	AC-3 kW					
Changeover with OFF Switching angle 90° OFF position padlockable 12h	3 ... 4	H200-E	20	5,5	3,7	<b>H216 - 71 ... - 204V1</b>				
			25	7,5	5,5	<b>H220 - 71 ... - 204V1</b>				
			32	11	7,5	<b>H226 - 71 ... - 204V1</b>				
			40	15	11	<b>H233 - 11 ... - 204V1</b>				
Changeover with OFF Switching angle 90° 3 positions padlockable (09h/12h/03h)	3 ... 4	H200-E	20	5,5	3,7	<b>H216 - 71 ... - 203V1</b>				
			25	7,5	5,5	<b>H220 - 71 ... - 203V1</b>				
			32	11	7,5	<b>H226 - 71 ... - 203V1</b>				
			40	15	11	<b>H233 - 71 ... - 203V1</b>				
<b>SMD modules for basic switch A01</b>										
Mounting form module for 204V1/203V1			H200-E			<b>BFB2 - 219</b>				
V-operator module 64 × 64 mm, mounting form 204V1 Escutcheon black, handle black						<b>2KV1 - 1230</b>				
V-operator module 64 × 64 mm, mounting form 203V1 Escutcheon black, handle black						<b>2KV1 - 9930</b>				
Legend plate silver, operator modules 204V1/203V1						<b>FAS4 - 9...</b> (FA number)				
<b>Dimensions (mm)</b>										
<b>Product line</b>	<b>A</b>	<b>B</b>	<b>B1</b>	<b>B2</b>	<b>C</b>	<b>C1</b>	<b>D1</b>	<b>G1</b>	<b>G2</b>	<b>H</b>
H200-E	64	72	84	96	83	39	30,5	33	4,8	70