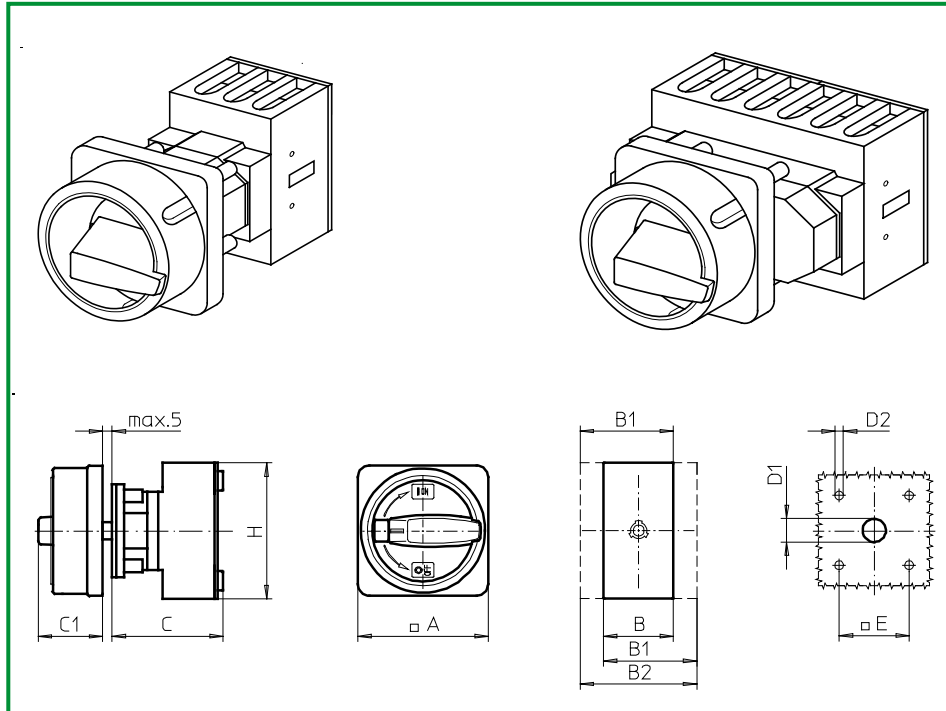


Front Mounting Switches

sälzer



**Product lines
H200-A/-B/-C/-D**

Front mounting switch

**Four hole mounting
36 × 36 mm**

033M1 (IP66)

033M4 (IP66)

Complete switch	Poles	Product line	Rated data (IEC 60947)			Order code number
			Operational current I _e	Operational power at 380–440V		
			AC-21A A	AC-23A kW	AC-3 kW	
Main Switches OFF position padlockable 09h	3 ... 4	H200-C	20	5,5	3,7	H212 - 41 ... - 033M1
	3 ... 8	H200-A/-D	20	5,5	3,7	H216 - 41 ... - 033M1
			25	7,5	5,5	H220 - 41 ... - 033M1
			32	11	7,5	H226 - 41 ... - 033M1
			40	15	11	H233 - 41 ... - 033M1
3 ... 4	H200-B	63	22	18,5	H263 - 41 ... - 033M1	
Main/Emergency-Off Switches OFF position padlockable 09h	3 ... 4	H200-C	20	5,5	3,7	H212 - 41 ... - 033M4
	3 ... 8	H200-A/-D	20	5,5	3,7	H216 - 41 ... - 033M4
			25	7,5	5,5	H220 - 41 ... - 033M4
			32	11	7,5	H226 - 41 ... - 033M4
			40	15	11	H233 - 41 ... - 033M4
3 ... 4	H200-B	63	22	18,5	H263 - 41 ... - 033M4	

SMD modules for basic switch A02

Mounting form module for 033M.

H200-A
H200-B/-C/-D
H200-A/-B/-C/-D

BFA2 - 033
BFB2 - 033

M-padlock device 67 × 67 mm, mounting form 033M1
Escutcheon black, padlockable handle black

2CM1

M-padlock device 67 × 67 mm, mounting form 033M4
Escutcheon yellow, padlockable handle red

2CM4

Dimensions (mm)

Product lines	A	B	B1	B2	C	C1	D1	D2	E	H
H200-A	67	36	48	60	58	38	15	4,5	36	70
H200-B	67	50	69	88	58	38	15	4,5	36	72
H200-C	67	45	-	-	50	38	15	4,5	36	45
H200-D	67	72	84	96	66	38	15	4,5	36	70