



## Mounting Form Table

**H400**  
**63 A up to 125 A**

### Section

<b>Front Mounting Switches</b>	<b>A</b>
<b>Base Mounting Switches</b>	<b>B</b>
<b>Enclosed Switches</b>	<b>C</b>
<b>Accessories</b>	<b>D</b>

Sälzer Electric GmbH  
Matthiasstraße 16  
57482 Wenden (Germany)  
[www.saelzer.com](http://www.saelzer.com)

Headquarters:  
Tel. +49 (0) 27 62 / 6 14-110  
Fax +49 (0) 27 62 / 6 14-100  
[sales@salzer.de](mailto:sales@salzer.de)

---

**Originator: Sälzer Electric GmbH · Product Data Management (PDM) · 09306 Rochlitz (Germany)**  
Copyright reserved by Sälzer Electric GmbH. This document replaces all previous issues.  
Valid until a new version is published. Changes and revisions reserved.

# Mounting Form Table



Mtg. form	Page	Mtg. form	Page	Mtg. form	Page	Mtg. form	Page
003M1	A1-1 (5)	234M4	B3-3 (33)	319N4	B6-16 (66)	489M4	B9-5 (95)
003V1	A1-2 (6)	234N1	B3-4 (34)	320M1	B6-17 (67)	489N1	B9-6 (96)
004V1	A1-2 (6)	234N4	B3-4 (34)	320M4	B6-17 (67)	489N4	B9-6 (96)
013M1	A1-3 (7)	234V1	B3-5 (35)	320N1	B6-18 (68)	490M1	B9-7 (97)
026M1	B1-1 (18)	234V4	B3-5 (35)	320N4	B6-18 (68)	490M4	B9-7 (97)
026V1	B1-2 (19)	235M1	B3-6 (36)	321M1	B6-19 (69)	490N1	B9-8 (98)
026V4	B1-2 (19)	235M4	B3-6 (36)	321M4	B6-19 (69)	490N4	B9-8 (98)
033M1	A1-4 (8)	235N1	B3-7 (37)	321N1	B6-20 (70)	491M1	B9-9 (99)
033M4	A1-4 (8)	235N4	B3-7 (37)	321N4	B6-20 (70)	491M4	B9-9 (99)
033N1	A1-5 (9)	240V1	B2-2 (24)	322M1	B6-21 (71)	491N1	B9-10 (100)
033N4	A1-5 (9)	241M1	B2-1 (23)	322M4	B6-21 (71)	491N4	B9-10 (100)
033V1	A1-6 (10)	241V1	B2-2 (24)	322N1	B6-22 (72)	492M1	B9-11 (101)
033V4	A1-6 (10)	242M1	B3-1 (31)	322N4	B6-22 (72)	492M4	B9-11 (101)
035M1	A1-7 (11)	242V1	B3-2 (32)	323M1	B6-23 (73)	492N1	B9-12 (102)
035M4	A1-7 (11)	243V1	B3-2 (32)	323M4	B6-23 (73)	492N4	B9-12 (102)
035N1	A1-8 (12)	280M1	B4-3 (41)	323N1	B6-24 (74)	493M1	B9-13 (103)
035N4	A1-8 (12)	280M4	B4-3 (41)	323N4	B6-24 (74)	493M4	B9-13 (103)
036M1	A1-9 (13)	280N1	B4-4 (42)	380D1	B10-1 (113)	493N1	B9-14 (104)
036M4	A1-9 (13)	280N4	B4-4 (42)	380D4	B10-1 (113)	493N4	B9-14 (104)
036N1	A1-10 (14)	280V1	B4-5 (43)	385D1	B10-2 (114)	494M1	B9-15 (105)
036N4	A1-10 (14)	280V4	B4-5 (43)	385D4	B10-2 (114)	494M4	B9-15 (105)
103M1	A1-11 (15)	281M1	B5-3 (47)	431M1	B7-6 (80)	494N1	B9-16 (106)
113M1	A1-12 (16)	281M4	B5-3 (47)	431M4	B7-6 (80)	494N4	B9-16 (106)
126M1	B1-3 (20)	281N1	B5-4 (48)	431N1	B7-7 (81)	495M1	B9-17 (107)
126V1	B1-4 (21)	281N4	B5-4 (48)	431N4	B7-7 (81)	495M4	B9-17 (107)
126V4	B1-4 (21)	281V1	B5-5 (49)	432M1	B7-3 (77)	495N1	B9-18 (108)
127V1	B1-5 (22)	281V4	B5-5 (49)	432M4	B7-3 (77)	495N4	B9-18 (108)
128V1	B1-5 (22)	282M1	B4-1 (39)	432N1	B7-4 (78)	496M1	B9-19 (109)
176M1	C1-1 (118)	282V1	B4-2 (40)	432N4	B7-4 (78)	496M4	B9-19 (109)
177M1	C1-2 (119)	283M1	B5-1 (45)	432V1	B7-5 (79)	496N1	B9-20 (110)
177M4	C1-2 (119)	283V1	B5-2 (46)	432V4	B7-5 (79)	496N4	B9-20 (110)
177N1	C1-3 (120)	292V1	B4-2 (40)	435M1	B8-6 (88)	497M1	B9-21 (111)
177N4	C1-3 (120)	293V1	B5-2 (46)	435M4	B8-6 (88)	497M4	B9-21 (111)
181M1	C2-12 (165)	312M1	B6-1 (51)	435N1	B8-7 (89)	497N1	B9-22 (112)
182M1	C2-13 (166)	312M4	B6-1 (51)	435N4	B8-7 (89)	497N4	B9-22 (112)
182M4	C2-13 (166)	312N1	B6-2 (52)	441M1	B7-1 (75)	566H1	C1-32 (149)
182N1	C2-14 (167)	312N4	B6-2 (52)	441V1	B7-2 (76)	566M1	C1-29 (146)
182N4	C2-14 (167)	313M1	B6-3 (53)	442V1	B7-2 (76)	567M1	C1-30 (147)
183H1	C2-15 (168)	313M4	B6-3 (53)	461M1	C1-21 (138)	567M4	C1-30 (147)
186H1	C2-7 (160)	313N1	B6-4 (54)	461M4	C1-21 (138)	567N1	C1-31 (148)
186M1	C2-4 (157)	313N4	B6-4 (54)	461N1	C1-22 (139)	567N4	C1-31 (148)
187M1	C2-5 (158)	314M1	B6-5 (55)	461N4	C1-22 (139)	568M1	C1-29 (146)
187M4	C2-5 (158)	314M4	B6-5 (55)	471M1	C1-23 (140)	569H1	C1-32 (149)
187N1	C2-6 (159)	314N1	B6-6 (56)	471M4	C1-23 (140)	576H1	C1-36 (153)
187N4	C2-6 (159)	314N4	B6-6 (56)	471N1	C1-24 (141)	576M1	C1-33 (150)
189H1	C2-7 (160)	315M1	B6-7 (57)	471N4	C1-24 (141)	577M1	C1-34 (151)
196H1	C3-7 (175)	315M4	B6-7 (57)	481M1	B8-1 (83)	577M4	C1-34 (151)
196M1	C3-4 (172)	315N1	B6-8 (58)	481V1	B8-2 (84)	577N1	C1-35 (152)
197M1	C3-5 (173)	315N4	B6-8 (58)	483M1	B8-3 (85)	577N4	C1-35 (152)
197M4	C3-5 (173)	316M1	B6-9 (59)	483M4	B8-3 (85)	578M1	C1-33 (150)
197N1	C3-6 (174)	316M4	B6-9 (59)	483N1	B8-4 (86)	579H1	C1-36 (153)
197N4	C3-6 (174)	316N1	B6-10 (60)	483N4	B8-4 (86)	686H1	C2-11 (164)
199H1	C3-7 (175)	316N4	B6-10 (60)	483V1	B8-5 (87)	686M1	C2-8 (161)
231M1	B2-6 (28)	317M1	B6-11 (61)	483V4	B8-5 (87)	687M1	C2-9 (162)
231M4	B2-6 (28)	317M4	B6-11 (61)	485V1	B8-2 (84)	687M4	C2-9 (162)
231N1	B2-7 (29)	317N1	B6-12 (62)	487M1	B9-1 (91)	687N1	C2-10 (163)
231N4	B2-7 (29)	317N4	B6-12 (62)	487M4	B9-1 (91)	687N4	C2-10 (163)
232M1	B2-3 (25)	318M1	B6-13 (63)	487N1	B9-2 (92)	689H1	C2-11 (164)
232M4	B2-3 (25)	318M4	B6-13 (63)	487N4	B9-2 (92)	696H1	C3-11 (179)
232N1	B2-4 (26)	318N1	B6-14 (64)	488M1	B9-3 (93)	696M1	C3-8 (176)
232N4	B2-4 (26)	318N4	B6-14 (64)	488M4	B9-3 (93)	697M1	C3-9 (177)
232V1	B2-5 (27)	319M1	B6-15 (65)	488N1	B9-4 (94)	697M4	C3-9 (177)
232V4	B2-5 (27)	319M4	B6-15 (65)	488N4	B9-4 (94)	697N1	C3-10 (178)
234M1	B3-3 (33)	319N1	B6-16 (66)	489M1	B9-5 (95)	697N4	C3-10 (178)

The red coloured mounting forms were added to the manual H400 Release 2.4.

# Mounting Form Table



Mtg. form	Page	Mtg. form	Page	Mtg. form	Page	Mtg. form	Page
699H1	C3-11 (179)	780N1	C1-15 (132)	987M4	C2-2 (155)	SAX1	D5-1 (195)
730M1	C1-4 (121)	780N4	C1-15 (132)	987N1	C2-3 (156)	SBX1	D5-2 (196)
730M4	C1-4 (121)	780V1	C1-16 (133)	987N4	C2-3 (156)	TCA4	D2-1 (190)
730N1	C1-5 (122)	780V4	C1-16 (133)	996M1	C3-1 (169)	TCB4	D2-1 (190)
730N4	C1-5 (122)	781M1	C1-17 (134)	997M1	C3-2 (170)	218098	D4-1 (194)
731M1	C1-6 (123)	785H1	C1-19 (136)	997M4	C3-2 (170)	404111	D2-2 (191)
735M1	C1-7 (124)	785M1	C1-18 (135)	997N1	C3-3 (171)		
735M4	C1-7 (124)	785V1	C1-20 (137)	997N4	C3-3 (171)		
735N1	C1-8 (125)	786H1	C1-19 (136)	AVA8 -...	D1-3 (186)		
735N4	C1-8 (125)	786V1	C1-20 (137)	AVB8 -...	D1-4 (187)		
736M1	C1-9 (126)	976H1	C1-28 (145)	AVC4 -.	D1-2 (185)		
770M1	C1-10 (127)	976M1	C1-25 (142)	AVD4	D1-1 (184)		
770M4	C1-10 (127)	977M1	C1-26 (143)	AVE5-...	D1-5 (188)		
770N1	C1-11 (128)	977M4	C1-26 (143)	AVF5-...	D1-6 (189)		
770N4	C1-11 (128)	977N1	C1-27 (144)	EA	C4-1 (180)		
770V1	C1-12 (129)	977N4	C1-27 (144)	ED	C4-2 (181)		
770V4	C1-12 (129)	978M1	C1-31 (135)	E8	C4-3 (182)		
771M1	C1-13 (130)	979H1	C1-28 (145)	FAS2 -....	D3-2 (193)		
780M1	C1-14 (131)	986M1	C2-1 (154)	FBS2 -....	D3-2 (193)		
780M4	C1-14 (131)	987M1	C2-2 (155)	FAZ2 -....	D3-1 (192)		

The red coloured mounting forms were added to the manual H400 Release 2.4.



## Section A

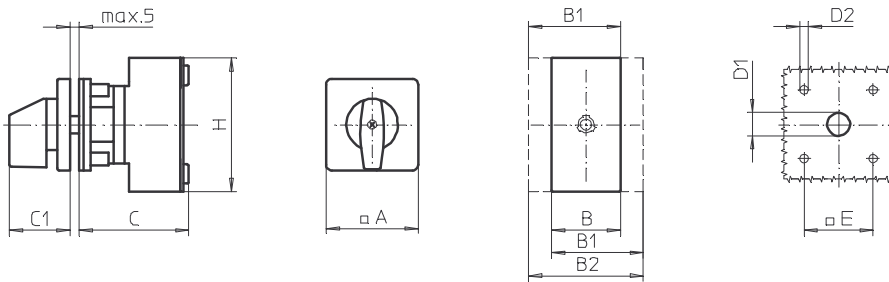
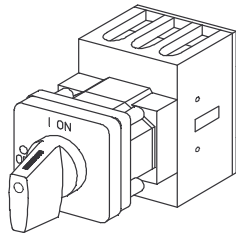
	Page	
	from	to
<b>Four hole mounting</b>	<b>A1-1</b>	<b>A1-12</b>

---

**Originator: Sälzer Electric GmbH · Product Data Management (PDM) · 09306 Rochlitz (Germany)**  
Copyright reserved by Sälzer Electric GmbH. This document replaces all previous issues.  
Valid until a new version is published. Changes and revisions reserved.

# Front Mounting Switches

**sälzer**



**Product lines  
H400-A/ -D/ -E**

**Front mounting switch**

**Four hole mounting  
48 x 48 mm**

**003M1 (IP66)**

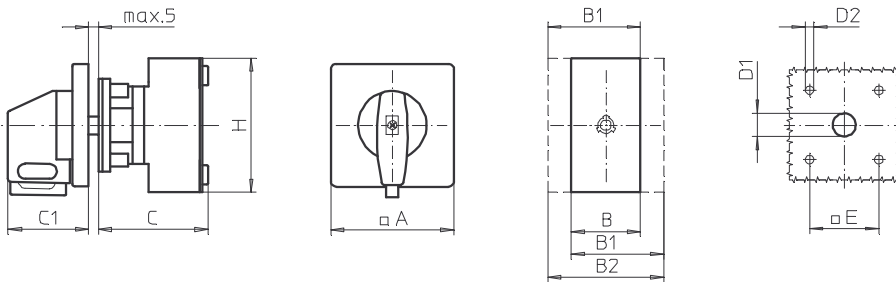
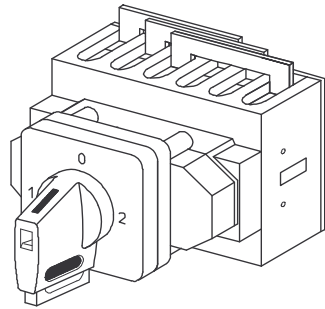
Complete switch	Poles	Product line	Rated data (IEC 60947)			Order code number
			Operational current I <sub>e</sub>	Operational power at 380–440 V		
			AC-21A A	AC-23A kW	AC-3 kW	
ON-OFF Switches Switching angle 90°	3 ... 8	H400-A/ -D	63	22	18,5	<b>H406 - 41 ... - 003M1</b>
			80	30	22	<b>H408 - 41 ... - 003M1</b>
			100	37	30	<b>H410 - 41 ... - 003M1</b>
			125	45	37	<b>H412 - 41 ... - 003M1</b>
Changeover with OFF Switching angle 90°	3 ... 4	H400-E	63	22	18,5	<b>H406 - 71 ... - 003M1</b>
			80	30	22	<b>H408 - 71 ... - 003M1</b>
			100	37	30	<b>H410 - 71 ... - 003M1</b>
			125	45	37	<b>H412 - 71 ... - 003M1</b>

SMD modules for basic switch A01			
Mounting form module for 003M1		H400-A/ -D/ -E	<b>BFA4 - 003</b>
M-operator module 64 x 64 mm, mounting form 003M1			<b>4AM1</b>
Escutcheon black, handle black			
Legend plate silver, operator module 003M1			<b>FAS4 - 9...</b> (FA number)

Dimensions (mm)										
Product lines	A	B	B1	B2	C	C1	D1	D2	E	H
H400-A	64	70	89	108	73	39	15	5	48	80
H400-D/ -E	64	140	159	178	86	39	15	5	48	80

# Front Mounting Switches

**sälzer**



**Product line  
H400-E**

**Front mounting switch**

**Four hole mounting  
48 x 48 mm**

**003V1 (IP66)  
004V1 (IP66)**

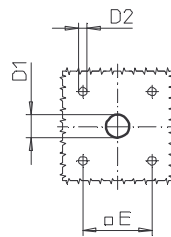
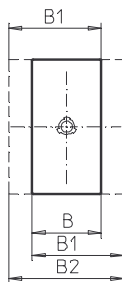
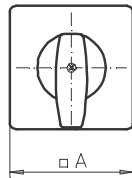
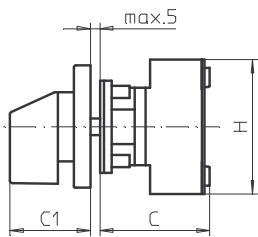
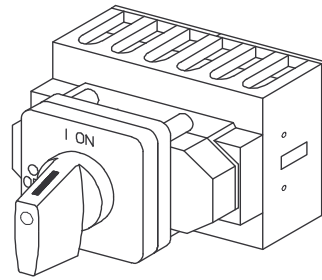
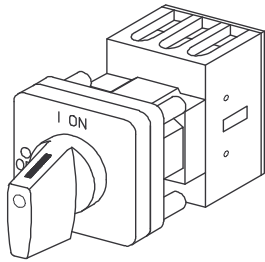
Complete switch	Poles	Product line	Rated data (IEC 60947)			Order code number
			Operational current I <sub>e</sub>	Operational power at 380–440 V		
			AC-21A A	AC-23A kW	AC-3 kW	
Changeover with OFF Switching angle 90° OFF position padlockable 12h	3 ... 4	H400-E	63	22	18,5	<b>H406 - 71 ... - 003V1</b>
			80	30	22	<b>H408 - 71 ... - 003V1</b>
			100	37	30	<b>H410 - 71 ... - 003V1</b>
			125	45	37	<b>H412 - 71 ... - 003V1</b>
Changeover with OFF Switching angle 90° 3 positions padlockable (09h/12h/03h)	3 ... 4	H400-E	63	22	18,5	<b>H406 - 71 ... - 004V1</b>
			80	30	22	<b>H408 - 71 ... - 004V1</b>
			100	37	30	<b>H410 - 71 ... - 004V1</b>
			125	45	37	<b>H412 - 71 ... - 004V1</b>

SMD modules for basic switch A01			
Mounting form module for 003V1/ 004V1		H400-E	<b>BFA4 - 003</b>
V-operator module 64 x 64 mm, mounting form 003V1 Escutcheon black, handle black			<b>4AV1 - 12</b>
V-operator module 64 x 64 mm, mounting form 004V1 Escutcheon black, handle black			<b>4AV1 - 99</b>
Legend plate silver, operator modules 003V1/ 004V1			<b>FAS4 - 9...</b> (FA number)

Dimensions (mm)										
Product line	A	B	B1	B2	C	C1	D1	D2	E	H
H400-E	64	140	159	178	86	39	15	5	48	80

# Front Mounting Switches

**sälzer**



**Product lines**  
H400-A/ -D/ -E

**Front mounting switch**  
Operator module of next size

**Four hole mounting**  
68 x 68 mm

**013M1 (IP66)**

Complete switch	Poles	Product line	Rated data (IEC 60947)			Order code number
			Operational current I <sub>e</sub>	Operational power at 380–440 V		
			AC-21A A	AC-23A kW	AC-3 kW	
ON-OFF Switches Switching angle 90°	3 ... 8	H400-A/ -D	63	22	18,5	H406 - 41 ... - 013M1
			80	30	22	H408 - 41 ... - 013M1
			100	37	30	H410 - 41 ... - 013M1
			125	45	37	H412 - 41 ... - 013M1
Changeover with OFF Switching angle 90°	3 ... 4	H400-E	63	22	18,5	H406 - 71 ... - 013M1
			80	30	22	H408 - 71 ... - 013M1
			100	37	30	H410 - 71 ... - 013M1
			125	45	37	H412 - 71 ... - 013M1

### SMD modules for basic switch A01

Mounting form module for 013M1

H400-A/ -D/ -E

BFA4 - 013

M-operator module 88 x 88 mm, mounting form 013M1

6FM1

Escutcheon black, handle black

Legend plate silver, operator module 013M1

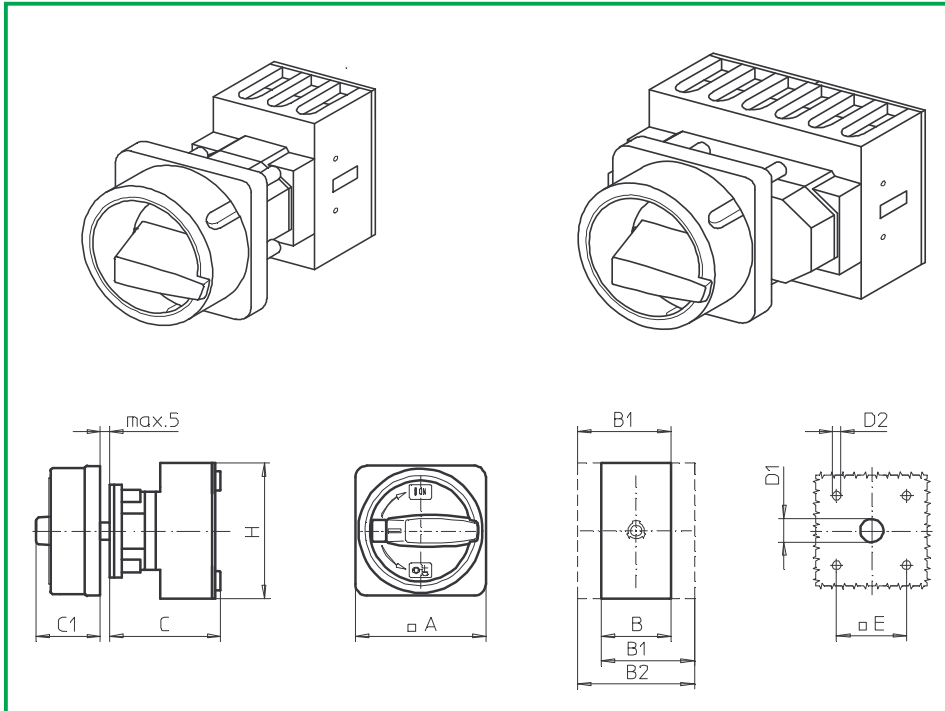
FAS6 - 9... (FA number)

### Dimensions (mm)

Product lines	A	B	B1	B2	C	C1	D1	D2	E	H
H400-A	88	70	89	108	73	52	15	5,5	68	80
H400-D/ -E	88	140	159	178	86	52	15	5,5	68	80

# Front Mounting Switches

**sälzer**



**Product lines  
H400-A/ -D**

**Front mounting switch**

**Four hole mounting  
48 x 48 mm**

**033M1 (IP66)  
033M4 (IP66)**

Complete switch	Poles	Product line	Rated data (IEC 60947)			Order code number
			Operational current I <sub>e</sub>	Operational power at 380–440 V		
			AC-21A A	AC-23A kW	AC-3 kW	
Main Switches OFF position padlockable 09h	3 ... 8	H400-A/ -D	63	22	18,5	<b>H406 - ..... - 033M1</b>
			80	30	22	<b>H408 - ..... - 033M1</b>
			100	37	30	<b>H410 - ..... - 033M1</b>
			125	45	37	<b>H412 - ..... - 033M1</b>
Main/Emergency-OFF Switches OFF position padlockable 09h	3 ... 8	H400-A/ -D	63	22	18,5	<b>H406 - ..... - 033M4</b>
			80	30	22	<b>H408 - ..... - 033M4</b>
			100	37	30	<b>H410 - ..... - 033M4</b>
			125	45	37	<b>H412 - ..... - 033M4</b>

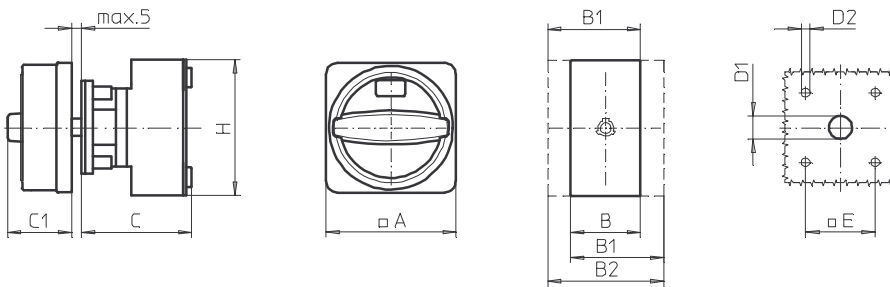
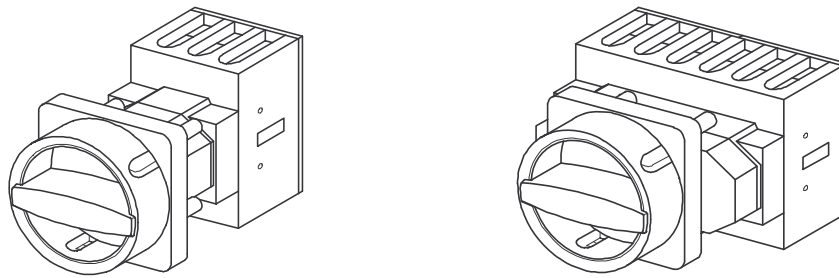
SMD modules for basic switch A01			
Mounting form module for 033M.		H400-A/ -D	<b>BFA4 - 033</b>
M-padlock device 88 x 88 mm, mounting form 033M1 Escutcheon black, padlockable handle black			<b>4CM1</b>
M-padlock device 88 x 88 mm, mounting form 033M4 Escutcheon yellow, padlockable handle red			<b>4CM4</b>
Terminal cover, 3 pole (H400-A 1x / -D 2x)			<b>TCA4</b>
Terminal cover, each additional single pole			<b>TCB4</b>

Dimensions (mm)										
Product lines	A	B	B1	B2	C	C1	D1	D2	E	H
H400-A	88	70	89	108	73	50	15	5	48	80
H400-D	88	140	159	178	86	50	15	5	48	80



# Front Mounting Switches

**sälzer**



**Product lines  
H400-A/ -D**

**Front mounting switch**

**Four hole mounting  
48 x 48 mm**

**033N1 (IP66)  
033N4 (IP66)**

Complete switch	Poles	Product line	Rated data (IEC 60947)			Order code number
			Operational current I <sub>e</sub>	Operational power at 380–440 V		
			AC-21A A	AC-23A kW	AC-3 kW	
Main Switches OFF position padlockable 09h	3 ... 8	H400-A/ -D	63	22	18,5	<b>H406 - ..... - 033N1</b>
			80	30	22	<b>H408 - ..... - 033N1</b>
			100	37	30	<b>H410 - ..... - 033N1</b>
			125	45	37	<b>H412 - ..... - 033N1</b>
Main/Emergency-OFF Switches OFF position padlockable 09h	3 ... 8	H400-A/ -D	63	22	18,5	<b>H406 - ..... - 033N4</b>
			80	30	22	<b>H408 - ..... - 033N4</b>
			100	37	30	<b>H410 - ..... - 033N4</b>
			125	45	37	<b>H412 - ..... - 033N4</b>

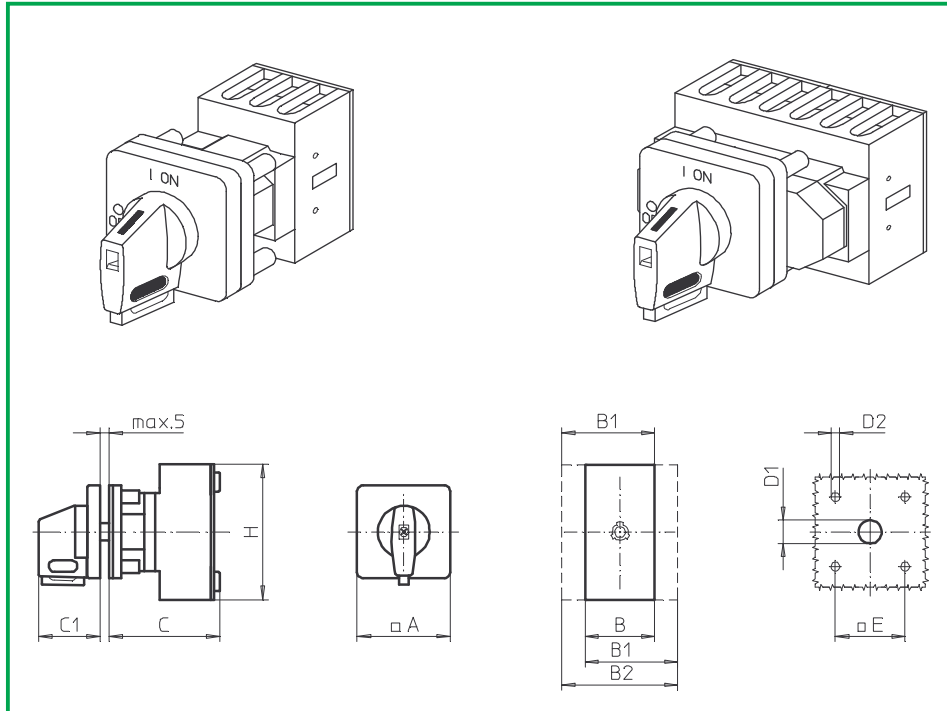
**SMD modules for basic switch A01**

Mounting form module for 033N.	H400-A/ -D	<b>BFA4 - 033</b>
N-padlock device 88 x 88 mm, mounting form 033N1 Escutcheon black, padlockable handle black		<b>4CN1</b>
N-padlock device 88 x 88 mm, mounting form 033N4 Escutcheon yellow, padlockable handle red		<b>4CN4</b>
Terminal cover, 3 pole	H400-A 1x / -D 2x	<b>TCA4</b>
Terminal cover, each additional single pole	H400-A/ -D	<b>TCB4</b>

**Dimensions (mm)**

Product lines	A	B	B1	B2	C	C1	D1	D2	E	H
H400-A	88	70	89	108	73	45	15	5	48	80
H400-D	88	140	159	178	86	45	15	5	48	80

# Front Mounting Switches



**Product lines**  
**H400-A/ -D**

**Front mounting switch**

**Four hole mounting**  
48 x 48 mm

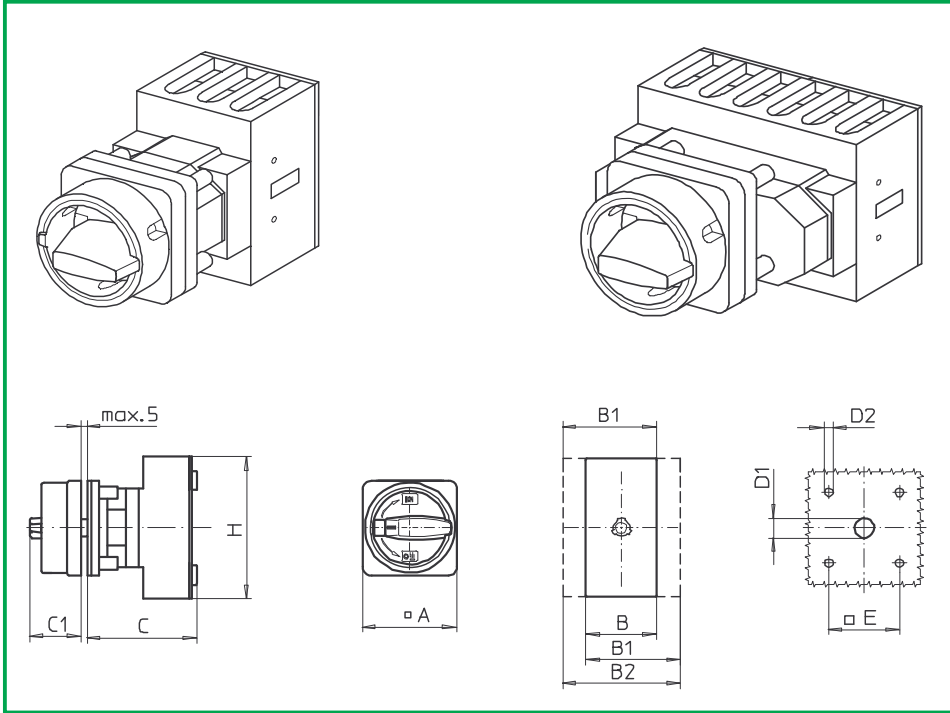
**033V1 (IP66)**  
**033V4 (IP66)**

Complete switch	Poles	Product line	Rated data (IEC 60947)			Order code number
			Operational current I <sub>e</sub>	Operational power at 380–440 V		
			AC-21A A	AC-23A kW	AC-3 kW	
Main Switches OFF position padlockable 09h	3 ... 8	H400-A/ -D	63	22	18,5	<b>H406 - ..... - 033V1</b>
			80	30	22	<b>H408 - ..... - 033V1</b>
			100	37	30	<b>H410 - ..... - 033V1</b>
			125	45	37	<b>H412 - ..... - 033V1</b>
Main/Emergency-OFF Switches OFF position padlockable 09h	3 ... 8	H400-A/ -D	63	22	18,5	<b>H406 - ..... - 033V4</b>
			80	30	22	<b>H408 - ..... - 033V4</b>
			100	37	30	<b>H410 - ..... - 033V4</b>
			125	45	37	<b>H412 - ..... - 033V4</b>

SMD modules for basic switch A01			
Mounting form module for 033V.		H400-A/ -D	<b>BFA4 - 003</b> <b>4AV1 - 09</b>
V-operator module 64 x 64 mm, mounting form 033V1 Escutcheon black, handle black			<b>FAS4 - 9078</b> <b>4AV4 - 09</b>
Legend plate silver, operator module 033V1			<b>FBS4 - 9078</b>
V-operator module 64 x 64 mm, mounting form 033V4 Escutcheon black, handle red			<b>TCA4</b>
Legend plate yellow, operator module 033V4			<b>TCB4</b>
Terminal cover, 3 pole		H400-A 1x / -D 2x	
Terminal cover, each additional single pole		H400-A/ -D	

Dimensions (mm)										
Product lines	A	B	B1	B2	C	C1	D1	D2	E	H
H400-A	64	70	89	108	73	39	15	5	48	80
H400-D	64	140	159	178	86	39	15	5	48	80

# Front Mounting Switches



**Product lines**  
**H400-A/ -D**

**Front mounting switch**

**Four hole mounting**  
 48 x 48 mm

**035M1 (IP66)**  
**035M4 (IP66)**

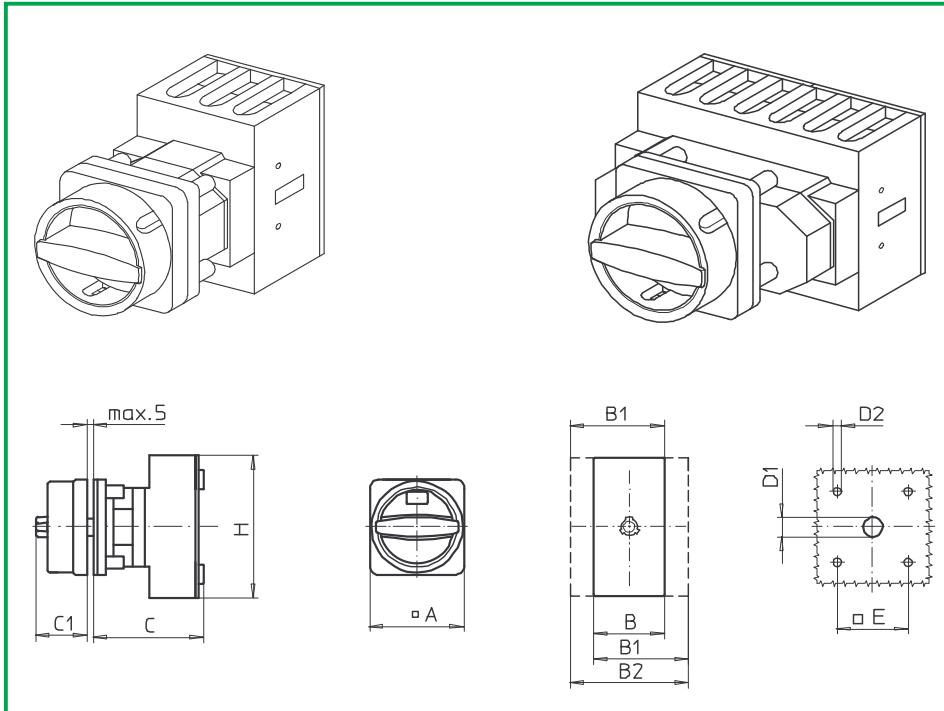
Complete switch	Poles	Product line	Rated data (IEC 60947)			Order code number
			Operational current I <sub>e</sub>	Operational power at 380–440 V		
			AC-21A A	AC-23A kW	AC-3 kW	
Main Switches OFF position padlockable 09h	3 ... 8	H400-A/ -D	63	22	18,5	<b>H406 - ..... - 035M1</b>
			80	30	22	<b>H408 - ..... - 035M1</b>
			100	37	30	<b>H410 - ..... - 035M1</b>
			125	45	37	<b>H412 - ..... - 035M1</b>
Main/Emergency-OFF Switches OFF position padlockable 09h	3 ... 8	H400-A/ -D	63	22	18,5	<b>H406 - ..... - 035M4</b>
			80	30	22	<b>H408 - ..... - 035M4</b>
			100	37	30	<b>H410 - ..... - 035M4</b>
			125	45	37	<b>H412 - ..... - 035M4</b>

SMD modules for basic switch A01		
Mounting form module for 035M.	H400-A/ -D	<b>BFA4 - 035</b>
M-padlock device 67 x 67 mm, mounting form 035M1 Escutcheon black, padlockable handle black		<b>4BM1</b>
M-padlock device 67 x 67 mm, mounting form 035M4 Escutcheon yellow, padlockable handle red		<b>4BM4</b>
Terminal cover, 3 pole	H400-A 1x / -D 2x	<b>TCA4</b>
Terminal cover, each additional single pole	H400-A/ -D	<b>TCB4</b>

Dimensions (mm)										
Product lines	A	B	B1	B2	C	C1	D1	D2	E	H
H400-A	67	70	89	108	73	38	15	5	48	80
H400-D	67	140	159	178	86	38	15	5	48	80

# Front Mounting Switches

**sälzer**



**Product lines  
H400-A/ -D**

**Front mounting switch**

**Four hole mounting  
48 x 48 mm**

**035N1 (IP66)  
035N4 (IP66)**

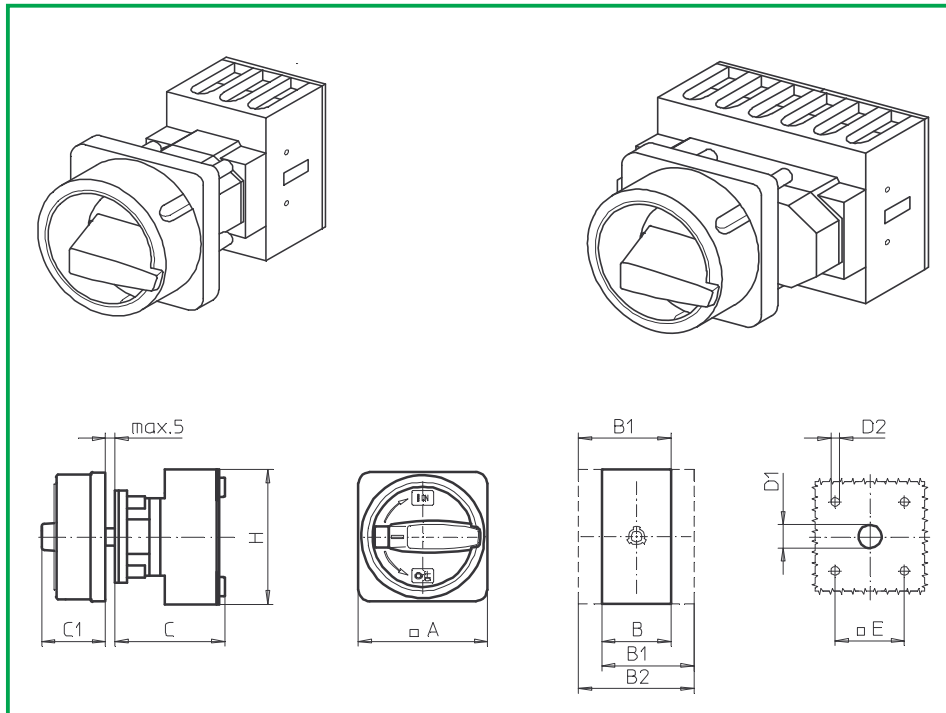
Complete switch	Poles	Product line	Rated data (IEC 60947)			Order code number
			Operational current I <sub>e</sub>	Operational power at 380–440 V		
			AC-21A A	AC-23A kW	AC-3 kW	
Main Switches OFF position padlockable 09h	3 ... 8	H400-A/ -D	63	22	18,5	<b>H406 - ..... - 035N1</b>
			80	30	22	<b>H408 - ..... - 035N1</b>
			100	37	30	<b>H410 - ..... - 035N1</b>
			125	45	37	<b>H412 - ..... - 035N1</b>
Main/Emergency-OFF Switches OFF position padlockable 09h	3 ... 8	H400-A/ -D	63	22	18,5	<b>H406 - ..... - 035N4</b>
			80	30	22	<b>H408 - ..... - 035N4</b>
			100	37	30	<b>H410 - ..... - 035N4</b>
			125	45	37	<b>H412 - ..... - 035N4</b>

SMD modules for basic switch A01		
Mounting form module for 035N.	H400-A/ -D	<b>BFA4 - 035 4BN1</b>
N-padlock device 67 x 67 mm, mounting form 035N1 Escutcheon black, padlockable handle black		<b>4BN4</b>
N-padlock device 67 x 67 mm, mounting form 035N4 Escutcheon yellow, padlockable handle red		<b>4BN4</b>
Terminal cover, 3 pole	H400-A 1x / -D 2x	<b>TCA4</b>
Terminal cover, each additional single pole	H400-A/ -D	<b>TCB4</b>

Dimensions (mm)										
Product lines	A	B	B1	B2	C	C1	D1	D2	E	H
H400-A	67	70	89	108	73	33	15	5	48	80
H400-D	67	140	159	178	86	33	15	5	48	80

# Front Mounting Switches

**sälzer**



**Product lines  
H400-A/ -D**

**Front mounting switch**  
Operator module of next size

**Four hole mounting**  
68 x 68 mm

**036M1 (IP66)**  
**036M4 (IP66)**

Complete switch	Poles	Product line	Rated data (IEC 60947)			Order code number
			Operational current I <sub>e</sub>	Operational power at 380–440 V		
			AC-21A A	AC-23A kW	AC-3 kW	
Main Switches OFF position padlockable 09h	3 ... 8	H400-A/ -D	63	22	18,5	<b>H406 - ..... - 036M1</b>
			80	30	22	<b>H408 - ..... - 036M1</b>
			100	37	30	<b>H410 - ..... - 036M1</b>
			125	45	37	<b>H412 - ..... - 036M1</b>
Main/Emergency-OFF Switches OFF position padlockable 09h	3 ... 8	H400-A/ -D	63	22	18,5	<b>H406 - ..... - 036M4</b>
			80	30	22	<b>H408 - ..... - 036M4</b>
			100	37	30	<b>H410 - ..... - 036M4</b>
			125	45	37	<b>H412 - ..... - 036M4</b>

### SMD modules for basic switch A01

Mounting form module for 036M.

H400-A/ -D

**BFA4 - 013**

M-padlock device 88 x 88 mm, mounting form 036M1  
Escutcheon black, padlockable handle black

**6HM1**

M-padlock device 88 x 88 mm, mounting form 036M4  
Escutcheon yellow, padlockable handle red

**6HM4**

Terminal cover, 3 pole

H400-A 1x / -D 2x

**TCA4**

Terminal cover, each additional single pole

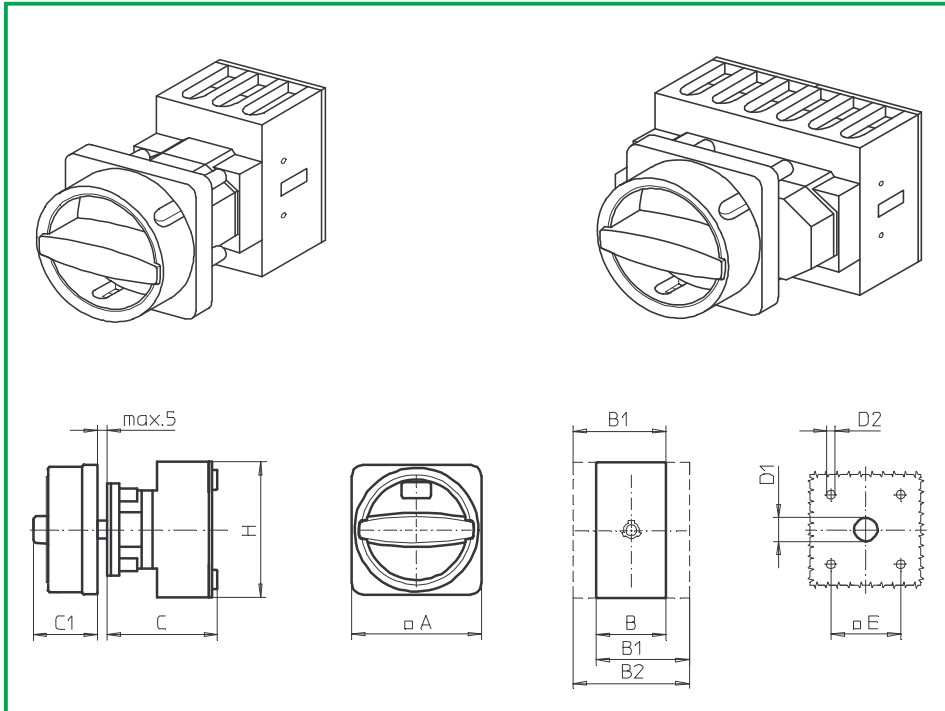
H400-A/ -D

**TCB4**

### Dimensions (mm)

Product lines	A	B	B1	B2	C	C1	D1	D2	E	H
H400-A	88	70	89	108	73	50	15	5,5	68	80
H400-D	88	140	159	178	86	50	15	5,5	68	80

# Front Mounting Switches



**Product lines**  
H400-A/ -D

**Front mounting switch**  
Operator module of next size

**Four hole mounting**  
68 x 68 mm

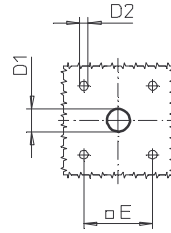
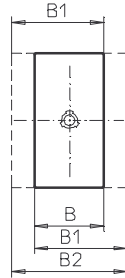
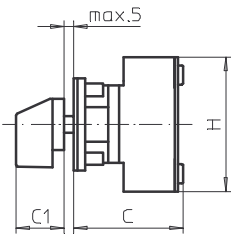
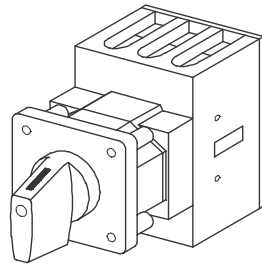
**036N1 (IP66)**  
**036N4 (IP66)**

Complete switch	Poles	Product line	Rated data (IEC 60947)			Order code number
			Operational current I <sub>e</sub>	Operational power at 380–440 V		
			AC-21A A	AC-23A kW	AC-3 kW	
Main Switches OFF position padlockable 09h	3 ... 8	H400-A/ -D	63	22	18,5	H406 - ..... - 036N1
			80	30	22	H408 - ..... - 036N1
			100	37	30	H410 - ..... - 036N1
			125	45	37	H412 - ..... - 036N1
Main/Emergency-OFF Switches OFF position padlockable 09h	3 ... 8	H400-A/ -D	63	22	18,5	H406 - ..... - 036N4
			80	30	22	H408 - ..... - 036N4
			100	37	30	H410 - ..... - 036N4
			125	45	37	H412 - ..... - 036N4

SMD modules for basic switch A01		
Mounting form module for 036N.	H400-A/ -D	BFA4 - 013 6HN1
M-padlock device 88 x 88 mm, mounting form 036N1 Escutcheon black, padlockable handle black		6HN4
M-padlock device 88 x 88 mm, mounting form 036N4 Escutcheon yellow, padlockable handle red		
Terminal cover, 3 pole	H400-A 1x / -D 2x	TCA4
Terminal cover, each additional single pole	H400-A/ -D	TCB4

Dimensions (mm)										
Product lines	A	B	B1	B2	C	C1	D1	D2	E	H
H400-A	88	70	89	108	73	45	15	5,5	68	80
H400-D	88	140	159	178	86	45	15	5,5	68	80

# Front Mounting Switches



**Product lines**  
H400-A/ -D/ -E

**Front mounting switch**  
without escutcheon

**Four hole mounting**  
48 x 48 mm

**103M1 (IP66)**

Complete switch	Poles	Product line	Rated data (IEC 60947)			Order code number
			Operational current I <sub>e</sub>	Operational power at 380–440 V		
			AC-21A A	AC-23A kW	AC-3 kW	
ON-OFF Switches Switching angle 90°	3 ... 8	H400-A/ -D	63	22	18,5	H406 - 41 ... - 103M1
			80	30	22	H408 - 41 ... - 103M1
			100	37	30	H410 - 41 ... - 103M1
			125	45	37	H412 - 41 ... - 103M1
Changeover with OFF Switching angle 90°	3 ... 4	H400-E	63	22	18,5	H406 - 71 ... - 103M1
			80	30	22	H408 - 71 ... - 103M1
			100	37	30	H410 - 71 ... - 103M1
			125	45	37	H412 - 71 ... - 103M1

### SMD modules for basic switch A01

Mounting form module for 103M1  
(Shaft shortened by 5 mm)

H400-A/ -D/ -E

BFA4 - 035

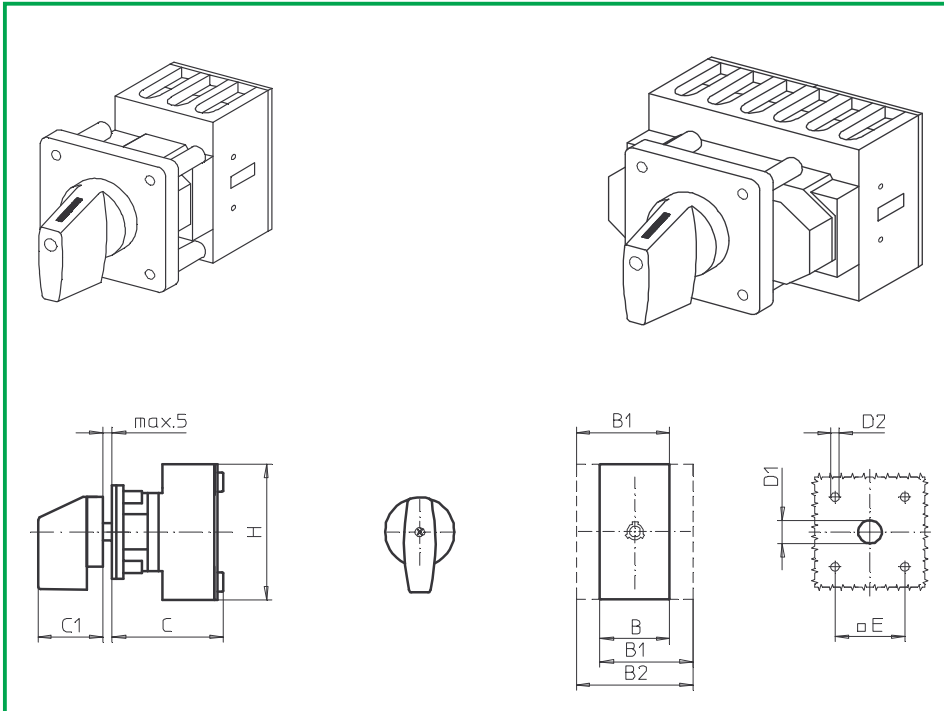
M-handle black, mounting form 103M1  
(Mounting without escutcheon and legend plate)

4XM1

### Dimensions (mm)

Product lines	B	B1	B2	C	C1	D1	D2	E	H
H400-A	70	89	108	73	30	15	5	48	80
H400-D/ -E	140	159	178	86	30	15	5	48	80

# Front Mounting Switches



**Product lines**  
H400-A/ -D/ -E

**Front mounting switch**  
Operator module of next size  
without escutcheon

**Four hole mounting**  
68 x 68 mm

**113M1 (IP66)**

Complete switch	Poles	Product line	Rated data (IEC 60947)			Order code number
			Operational current I <sub>e</sub>	Operational power at 380–440 V		
			AC-21A A	AC-23A kW	AC-3 kW	
ON-OFF Switches Switching angle 90°	3 ... 8	H400-A/ -D	63	22	18,5	H406 - 41 ... - 113M1
			80	30	22	H408 - 41 ... - 113M1
			100	37	30	H410 - 41 ... - 113M1
			125	45	37	H412 - 41 ... - 113M1
Changeover with OFF Switching angle 90°	3 ... 4	H400-E	63	22	18,5	H406 - 71 ... - 113M1
			80	30	22	H408 - 71 ... - 113M1
			100	37	30	H410 - 71 ... - 113M1
			125	45	37	H412 - 71 ... - 113M1

SMD modules for basic switch A01		
Mounting form module for 113M1 (Shaft shortened by 5 mm)	H400-A/ -D/ -E	BFA4 - 113
M-handle black, mounting form 113M1 (Mounting without escutcheon and legend plate)		6XM1

Dimensions (mm)									
Product lines	B	B1	B2	C	C1	D1	D2	E	H
H400-A	70	89	108	73	42	15	5,5	68	80
H400-D/ -E	140	159	178	86	42	15	5,5	68	80





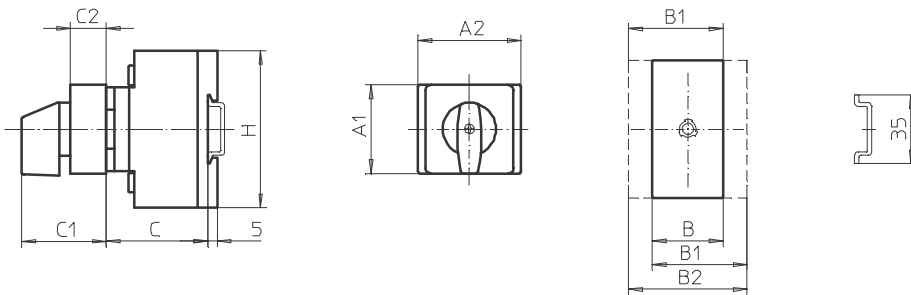
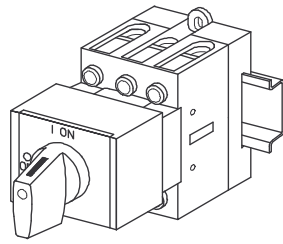
## Section B

	Page	
	from	to
<b>Base / front mounting</b>	<b>B1-1</b>	<b>B1-5</b>
<b>Door clutch with modular shaft extension</b> Four hole front mounting	<b>B2-1</b>	<b>B2-8</b>
<b>Door interlock with modular shaft extension</b> Four hole front mounting	<b>B3-1</b>	<b>B3-8</b>
<b>Door clutch with metal shaft extension</b> Single hole ø 22,5 mm front mounting	<b>B4-1</b>	<b>B4-6</b>
<b>Door interlock with metal shaft extension</b> Single hole ø 22,5 mm front mounting	<b>B5-1</b>	<b>B5-6</b>
<b>Door interlock with fixed metal shaft</b> Single hole ø 22,5 mm front mounting	<b>B6-1</b>	<b>B6-24</b>
<b>Door clutch with metal shaft extension</b> Four hole front mounting	<b>B7-1</b>	<b>B7-8</b>
<b>Door interlock with metal shaft extension</b> Four hole front mounting	<b>B8-1</b>	<b>B8-8</b>
<b>Door interlock with fixed metal shaft</b> Four hole front mounting	<b>B9-1</b>	<b>B9-22</b>
<b>Defeatable door interlock with metal shaft extension</b> Single hole ø 22,5 mm front mounting	<b>B10-1</b>	<b>B10-4</b>

Originator: Sälzer Electric GmbH · Product Data Management (PDM) · 09306 Rochlitz (Germany)  
 Copyright reserved by Sälzer Electric GmbH. This document replaces all previous issues.  
 Valid until a new version is published. Changes and revisions reserved.

# Base Mounting Switches

**sälzer**



**Product line  
H400-A**

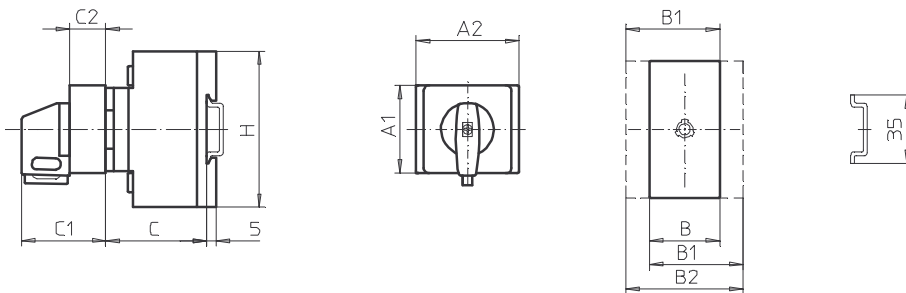
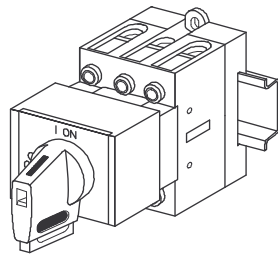
**Base mounting switch  
Base/front mounting**

**DIN rail  
with cover plate  
45 mm aperture**

**026M1**

Complete switch	Poles	Product line	Rated data (IEC 60947)			Order code number			
			Operational current I <sub>e</sub>	Operational power at 380–440 V					
			AC-21A A	AC-23A kW	AC-3 kW				
ON-OFF Switches Switching angle 90°	3 ... 4	H400-A	63	22	18,5	<b>H406 - 41 ... - 026M1</b>			
			80	30	22	<b>H408 - 41 ... - 026M1</b>			
			100	37	30	<b>H410 - 41 ... - 026M1</b>			
			125	45	37	<b>H412 - 41 ... - 026M1</b>			
<b>SMD modules for basic switch A02</b>									
Mounting form/operator module grey, M-handle black, mounting form 026M1			H400-A			<b>BFA4 - 026M1</b>			
Legend plate silver, mounting form/operator module 026M1						<b>FAV2 - 9...</b> (FA number)			
<b>Dimensions (mm)</b>									
<b>Product line</b>	<b>A1</b>	<b>A2</b>	<b>B</b>	<b>B1</b>	<b>B2</b>	<b>C</b>	<b>C1</b>	<b>C2</b>	<b>H</b>
H400-A	45	72	70	89	108	48	43	18,5	80

# Base Mounting Switches



**Product line**  
**H400-A**

**Base mounting switch**  
**Base/front mounting**

**DIN rail**  
with cover plate  
45 mm aperture

**026V1**  
**026V4**

Complete switch	Poles	Product line	Rated data (IEC 60947)			Order code number
			Operational current I <sub>e</sub>	Operational power at 380–440 V		
			AC-21A A	AC-23A kW	AC-3 kW	
Main Switches OFF position padlockable 09h	3 ... 4	H400-A	63	22	18,5	<b>H406 - 41 ... - 026V1</b>
			80	30	22	<b>H408 - 41 ... - 026V1</b>
			100	37	30	<b>H410 - 41 ... - 026V1</b>
			125	45	37	<b>H412 - 41 ... - 026V1</b>
Main/Emergency-Off Switches OFF position padlockable 09h	3 ... 4	H400-A	63	22	18,5	<b>H406 - 41 ... - 026V4</b>
			80	30	22	<b>H408 - 41 ... - 026V4</b>
			100	37	30	<b>H410 - 41 ... - 026V4</b>
			125	45	37	<b>H412 - 41 ... - 026V4</b>

### SMD modules for basic switch A02

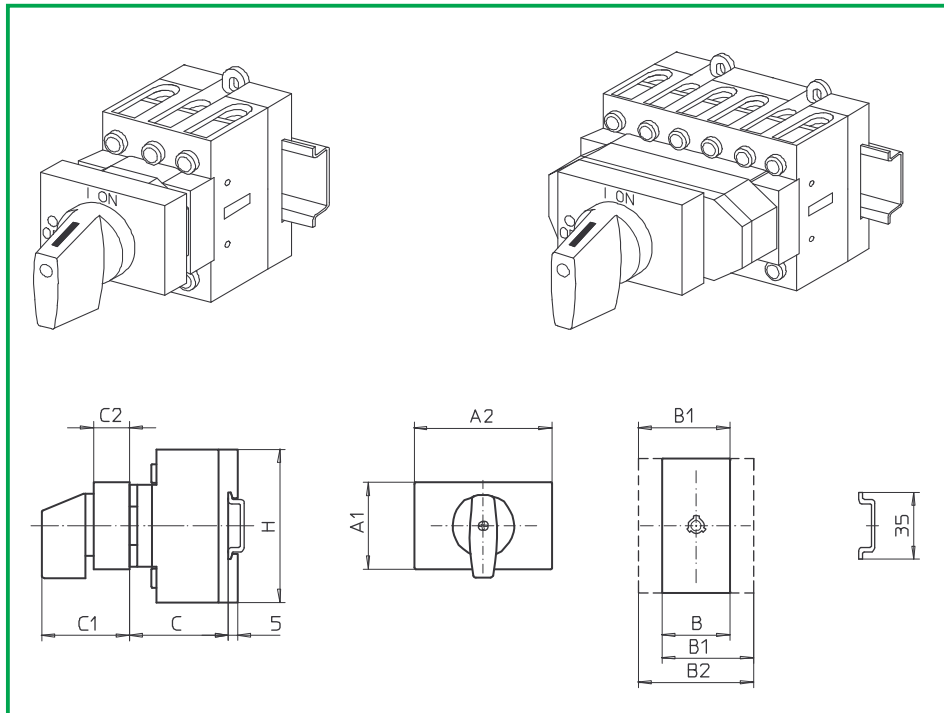
Mounting form/operator module grey, V-handle black, mounting form 026V1	H400-A	<b>BFA4 - 026V1</b>
Legend plate silver, mounting form/operator module 026V1		<b>FAV2 - 9...</b> (FA number)
Mounting form/operator module grey, V-handle red, mounting form 026V4		<b>BFA4 - 026V4</b>
Legend plate yellow, mounting form/operator module 026V4		<b>FBV2 - 9...</b> (FA number)
Terminal cover, 3 pole	H400-A 1x	<b>TCA4</b>
Terminal cover, each additional single pole	H400-A	<b>TCB4</b>

### Dimensions (mm)

Product line	A1	A2	B	B1	B2	C	C1	C2	H
H400-A	45	72	70	89	108	48	43	18,5	80

# Base Mounting Switches

# sälzer



**Product line**  
H400-A/ -D/ -E

**Base mounting switch**  
**Base/front mounting**

**DIN rail**  
with cover plate  
45 mm aperture

## 126M1

Complete switch	Poles	Product line	Rated data (IEC 60947)			Order code number
			Operational current I <sub>e</sub>	Operational power at 380–440 V		
			AC-21A A	AC-23A kW	AC-3 kW	
ON-OFF Switches Switching angle 90°	3 ... 8	H400-A/ -D	63	22	18,5	<b>H406 - 41 ... - 126M1</b>
			80	30	22	<b>H408 - 41 ... - 126M1</b>
			100	37	30	<b>H410 - 41 ... - 126M1</b>
			125	45	37	<b>H412 - 41 ... - 126M1</b>
Changeover with OFF Switching angle 90°	3 ... 4	H400-E	63	22	18,5	<b>H406 - 71 ... - 126M1</b>
			80	30	22	<b>H408 - 71 ... - 126M1</b>
			100	37	30	<b>H410 - 71 ... - 126M1</b>
			125	45	37	<b>H412 - 71 ... - 126M1</b>

### SMD modules for basic switch A02

Mounting form/operator module grey, M-handle black, mounting form 126M1

H400-A  
H400-D



**BFA4 - 126M1**  
**BFA4 - 126M1**

Mounting form/operator module grey, M-handle black, mounting form 126M1

H400-E



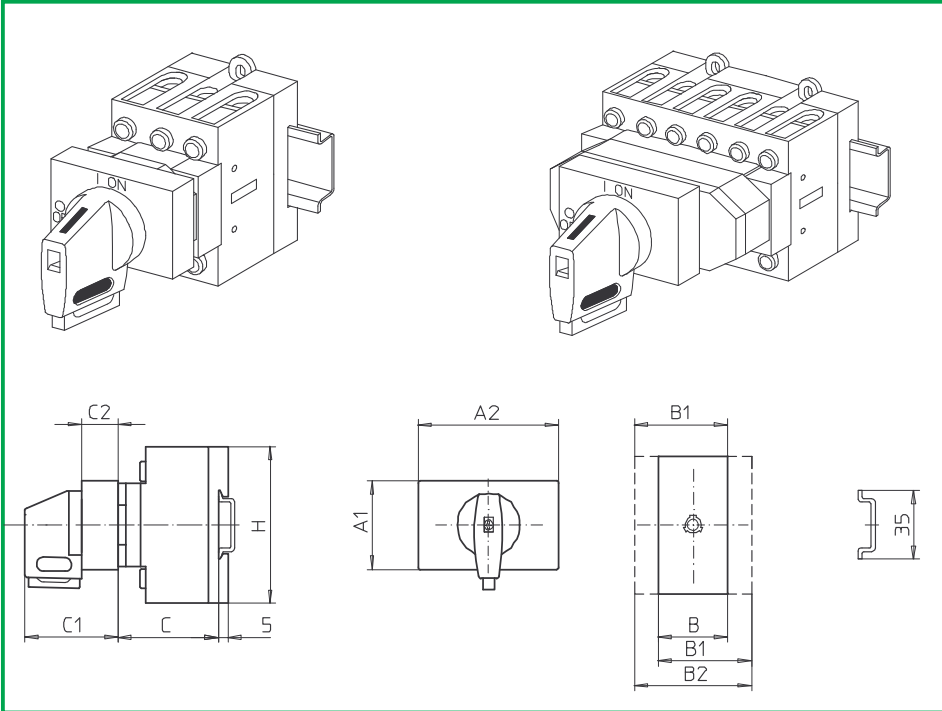
**BFB4 - 126M1**

### Dimensions (mm)

Product lines	A1	A2	B	B1	B2	C	C1	C2	H
H400-A	45	72	70	89	108	55	48	16	80
H400-D/ -E	45	72	140	159	178	67	48	16	80

# Base Mounting Switches

**sälzer**



**Product line**  
H400-A/ -D

**Base mounting switch**  
**Base/front mounting**

**DIN rail**  
with cover plate  
45 mm aperture

**126V1**  
**126V4**

Complete switch	Poles	Product line	Rated data (IEC 60947)			Order code number
			Operational current I <sub>e</sub>	Operational power at 380–440 V		
			AC-21A A	AC-23A kW	AC-3 kW	
Main Switches OFF position padlockable 09h	3 ... 8	H400-A/ -D	63	22	18,5	H406 - 41 ... - 126V1
			80	30	22	H408 - 41 ... - 126V1
			100	37	30	H410 - 41 ... - 126V1
			125	45	37	H412 - 41 ... - 126V1
Main/Emergency-Off Switches OFF position padlockable 09h	3 ... 8	H400-A/ -D	63	22	18,5	H406 - 41 ... - 126V4
			80	30	22	H408 - 41 ... - 126V4
			100	37	30	H410 - 41 ... - 126V4
			125	45	37	H412 - 41 ... - 126V4

### SMD modules for basic switch A02

Mounting form/operator module grey, V-handle black, mounting form 126V1

H400-A/ -D



BFA4 - 126V1

Mounting form/operator module yellow, V-handle red, mounting form 126V4

H400-A/ -D

BFA4 - 126V4

Terminal cover, 3 pole

H400-A 1x / -D 2x

TCA4

Terminal cover, each additional single pole

H400-A / -D

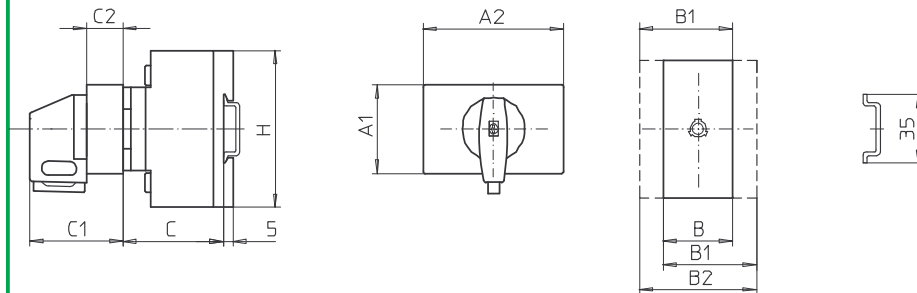
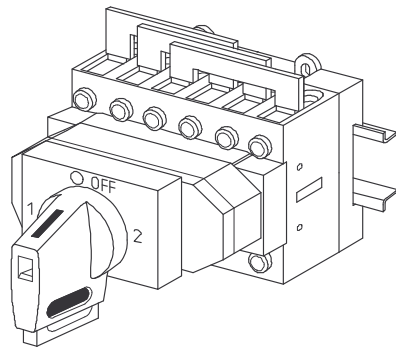
TCB4

### Dimensions (mm)

Product lines	A1	A2	B	B1	B2	C	C1	C2	H
H400-A	45	72	70	89	108	55	48	16	80
H400-D	45	72	140	159	178	67	48	16	80

# Base Mounting Switches

**sälzer**



**Product line  
H400-E**

**Base mounting switch  
Base/front mounting**

**DIN rail  
with cover plate  
45 mm aperture**

**128V1  
127V1**

Complete switch	Poles	Product line	Rated data (IEC 60947)			Order code number
			Operational current I <sub>e</sub>	Operational power at 380–440 V		
			AC-21A A	AC-23A kW	AC-3 kW	
Changeover with OFF Switching angle 90° OFF position padlockable 12h	3 ... 4	H400-E	63	22	18,5	<b>H406 - 71 ... - 128V1</b>
			80	30	22	<b>H408 - 71 ... - 128V1</b>
			100	37	30	<b>H410 - 71 ... - 128V1</b>
			125	45	37	<b>H412 - 71 ... - 128V1</b>
Changeover with OFF Switching angle 90° 3 positions padlockable (09h/12h/03h)	3 ... 4	H400-E	63	22	18,5	<b>H406 - 71 ... - 127V1</b>
			80	30	22	<b>H408 - 71 ... - 127V1</b>
			100	37	30	<b>H410 - 71 ... - 127V1</b>
			125	45	37	<b>H412 - 71 ... - 127V1</b>

**SMD modules for basic switch A02**

Mounting form/operator module grey, V-handle black, mounting form 128V1

H400-E



**BFA4 - 128V1**

Mounting form/operator module grey, V-handle black, mounting form 127V1

H400-E

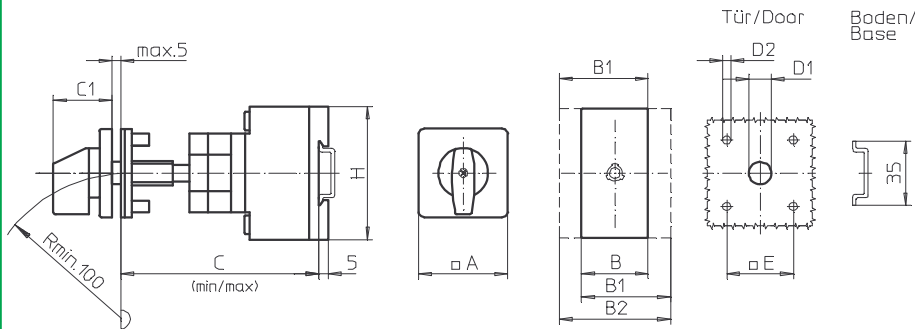
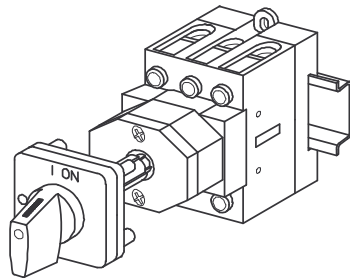
**BFA4 - 127V1**

**Dimensions (mm)**

Product line	A1	A2	B	B1	B2	C	C1	C2	H
H400-E	45	72	140	159	178	67	48	16	80

# Base Mounting Switches

**sälzer**



**Product lines**  
H400-A / -D/ -E

**Base mounting switch**

**Door clutch**

Modular shaft extension

**Four hole mounting**

48 x 48 mm front

**241M1 (IP66)**

Complete switch	Poles	Product line	Rated data (IEC 60947)			Order code number
			Operational current I <sub>e</sub>	Operational power at 380–440 V		
			AC-21A A	AC-23A kW	AC-3 kW	
ON-OFF Switches Switching angle 90°	3 ... 8	H400-A/-D	63	22	18,5	H406 - 41 ... - 241M1
			80	30	22	H408 - 41 ... - 241M1
			100	37	30	H410 - 41 ... - 241M1
			125	45	37	H412 - 41 ... - 241M1
Changeover with OFF Switching angle 90°	3 ... 4	H400-E	63	22	18,5	H406 - 71 ... - 241M1
			80	30	22	H408 - 71 ... - 241M1
			100	37	30	H410 - 71 ... - 241M1
			125	45	37	H412 - 71 ... - 241M1

### SMD modules for basic switch A02

Mounting form module for 241M1

H400-A/-D  
H400-E

BFA4 - 241  
BFC4 - 241

M-operator module 64 x 64 mm, mounting form 241M1  
Escutcheon black, handle black

H400-A/-D/-E

4AM1

Legend plate silver, operator module 241M1

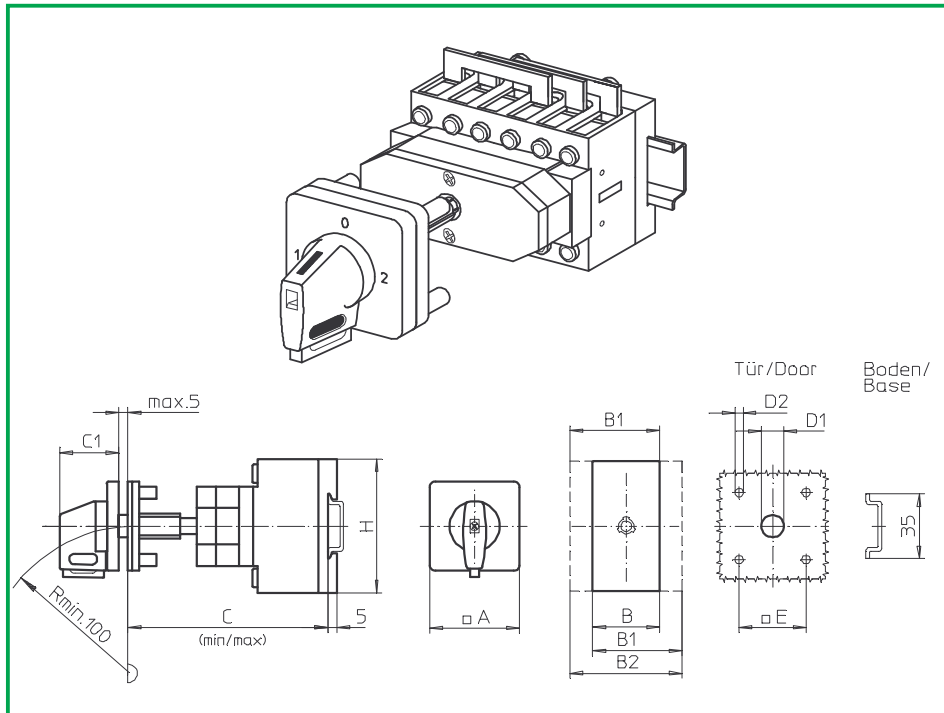
FAS4 - 9... (FA number)

### Dimensions (mm)

Product lines	A	B	B1	B2	C <sub>min</sub>	C <sub>max</sub>	C1	D1	D2	E	H
H400-A	64	70	89	108	102	119	40	15	5	48	80
H400-D/ -E	64	140	159	178	115	132	40	15	5	48	80

# Base Mounting Switches

# sälzer



**Product line**  
**H400-E**

**Base mounting switch**

**Door clutch**

Modular shaft extension

**Four hole mounting**

48 x 48 mm front

**240V1 (IP66)**

**241V1 (IP66)**

Complete switch	Poles	Product line	Rated data (IEC 60947)			Order code number
			Operational current I <sub>e</sub>	Operational power at 380–440 V		
			AC-21A A	AC-23A kW	AC-3 kW	
Changeover with OFF Switching angle 90° 3 positions padlockable (09h/12h/03h)	3 ... 4	H400-E	63	22	18,5	<b>H406 - 71 ... - 240V1</b>
			80	30	22	<b>H408 - 71 ... - 240V1</b>
			100	37	30	<b>H410 - 71 ... - 240V1</b>
			125	45	37	<b>H412 - 71 ... - 240V1</b>
Changeover with OFF Switching angle 90° OFF position padlockable 12h	3 ... 4	H400-E	63	22	18,5	<b>H406 - 71 ... - 241V1</b>
			80	30	22	<b>H408 - 71 ... - 241V1</b>
			100	37	30	<b>H410 - 71 ... - 241V1</b>
			125	45	37	<b>H412 - 71 ... - 241V1</b>

### SMD modules for basic switch A02

Mounting form module for 240V1/ 241V1

H400-E

**BFC4 - 241**

M-operator module 64 x 64 mm, mounting form 240V1  
Escutcheon black, handle black

**4AV1 - 99**

M-operator module 64 x 64 mm, mounting form 241V1  
Escutcheon black, handle black

**2AV1 - 12**

Legend plate silver, operator module 240V1/ 241V1

**FAS4 - 9...** (FA number)

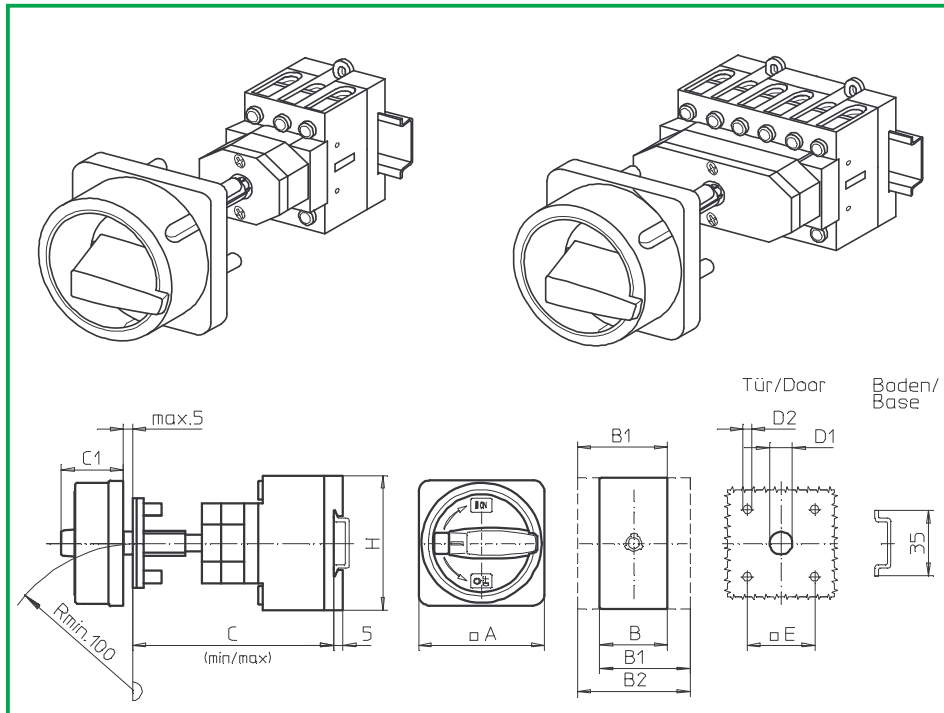
### Dimensions (mm)

Product line	A	B	B1	B2	C <sub>min</sub>	C <sub>max</sub>	C1	D1	D2	E	H
H400-E	64	140	159	178	115	132	40	15	5	48	80



# Base Mounting Switches

**sälzer**



**Product lines  
H400-A/ -D**

**Base mounting switch**

**Door clutch**

Modular shaft extension

**Four hole mounting**

48 x 48 mm front

**232M1 (IP66)**

**232M4 (IP66)**

Complete switch	Poles	Product line	Rated data (IEC 60947)			Order code number
			Operational current I <sub>e</sub>	Operational power at 380–440 V		
			AC-21A A	AC-23A kW	AC-3 kW	
Main Switches OFF position padlockable 09h	3 ... 8	H400-A/ -D	63	22	18,5	<b>H406 - 41 ... - 232M1</b>
			80	30	22	<b>H408 - 41 ... - 232M1</b>
			100	37	30	<b>H410 - 41 ... - 232M1</b>
			125	45	37	<b>H412 - 41 ... - 232M1</b>
Main/Emergency-Off Switches OFF position padlockable 09h	3 ... 8	H400-A/ -D	63	22	18,5	<b>H406 - 41 ... - 232M4</b>
			80	30	22	<b>H408 - 41 ... - 232M4</b>
			100	37	30	<b>H410 - 41 ... - 232M4</b>
			125	45	37	<b>H412 - 41 ... - 232M4</b>

### SMD modules for basic switch A02

Mounting form module for 232M.

H400-A/ -D

**BFA4 - 232**

M-padlock device 88 x 88 mm, mounting form 232M1  
Escutcheon black, padlockable handle black

**4CM1**

M-padlock device 88 x 88 mm, mounting form 232M4  
Escutcheon yellow, padlockable handle red

**4CM4**

Terminal cover, 3 pole

H400-A 1x / -D 2x

**TCA4**

Terminal cover, each additional single pole

H400-A/ -D

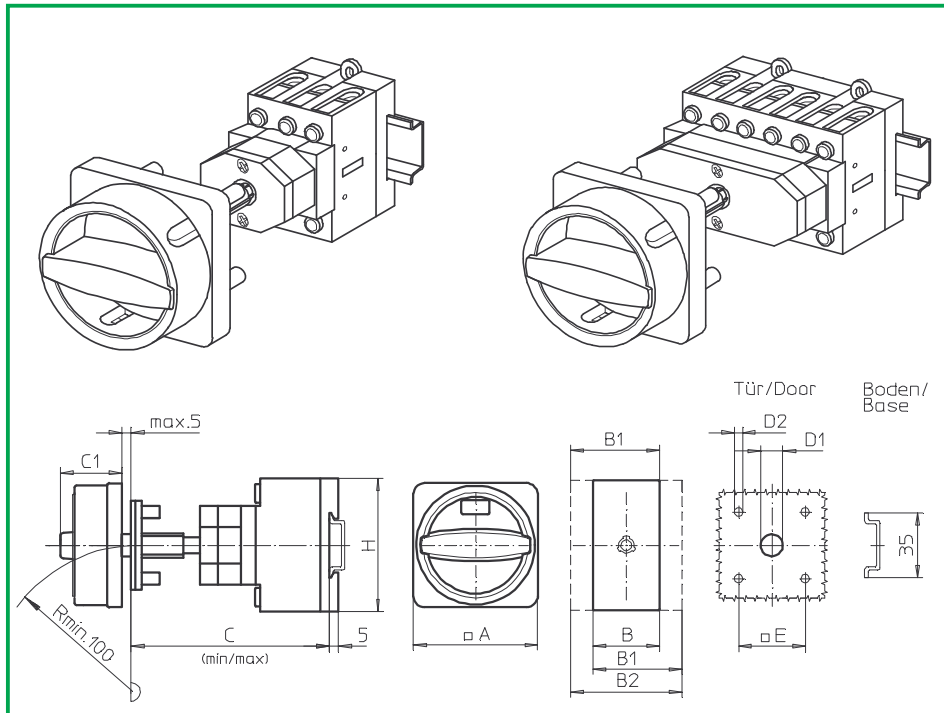
**TCB4**

### Dimensions (mm)

Product lines	A	B	B1	B2	C <sub>min</sub>	C <sub>max</sub>	C1	D1	D2	E	H
H400-A	88	70	89	108	102	119	50	15	5	48	80
H400-D	88	140	159	178	115	132	50	15	5	48	80

# Base Mounting Switches

**sälzer**



**Product lines**  
H400-A/ -D

**Base mounting switch**

**Door clutch**

Modular shaft extension

**Four hole mounting**

48 x 48 mm front

**232N1 (IP66)**

**232N4 (IP66)**

Complete switch	Poles	Product line	Rated data (IEC 60947)			Order code number
			Operational current I <sub>e</sub>	Operational power at 380–440 V		
			AC-21A A	AC-23A kW	AC-3 kW	
Main Switches OFF position padlockable 09h	3 ... 8	H400-A/ -D	63	22	18,5	H406 - 41 ... - 232N1
			80	30	22	H408 - 41 ... - 232N1
			100	37	30	H410 - 41 ... - 232N1
			125	45	37	H412 - 41 ... - 232N1
Main/Emergency-Off Switches OFF position padlockable 09h	3 ... 8	H400-A/ -D	63	22	18,5	H406 - 41 ... - 232N4
			80	30	22	H408 - 41 ... - 232N4
			100	37	30	H410 - 41 ... - 232N4
			125	45	37	H412 - 41 ... - 232N4

### SMD modules for basic switch A02

Mounting form module for 232N.

H400-A/ -D

BFA4 - 232

N-padlock device 88 x 88 mm, mounting form 232N1  
Escutcheon black, padlockable handle black

4CN1

N-padlock device 88 x 88 mm, mounting form 232N4  
Escutcheon yellow, padlockable handle red

4CN4

Terminal cover, 3 pole

H400-A 1x / -D 2x

TCA4

Terminal cover, each additional single pole

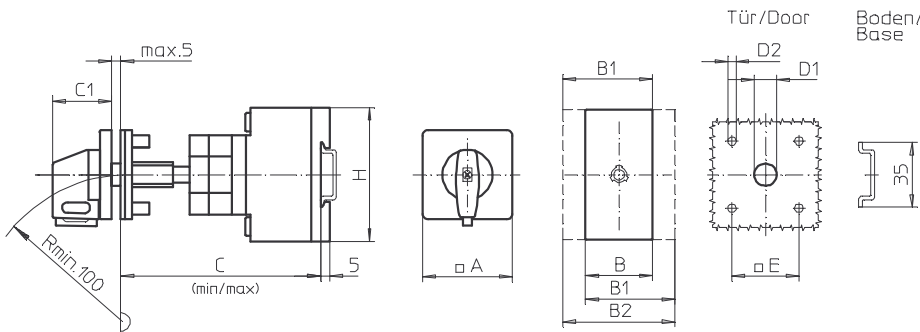
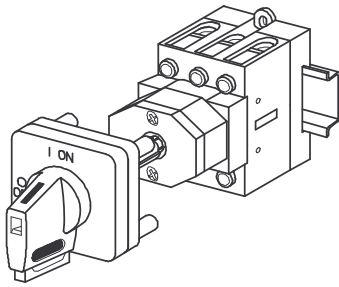
H400-A/ -D

TCB4

### Dimensions (mm)

Product lines	A	B	B1	B2	C <sub>min</sub>	C <sub>max</sub>	C1	D1	D2	E	H
H400-A	88	70	89	108	102	119	45	15	5	48	80
H400-D	88	140	159	178	115	132	45	15	5	48	80

# Base Mounting Switches



**Product lines**  
H400-A/ -D

**Base mounting switch**

**Door clutch**

Modular shaft extension

**Four hole mounting**

48 x 48 mm front

**232V1 (IP66)**

**232V4 (IP66)**

Complete switch	Poles	Product line	Rated data (IEC 60947)			Order code number
			Operational current I <sub>e</sub>	Operational power at 380–440 V		
			AC-21A A	AC-23A kW	AC-3 kW	
Main Switches OFF position padlockable 09h		H400-A/ -D	63	22	18,5	H406 - 41 ... - 232V1
			80	30	22	H408 - 41 ... - 232V1
			100	37	30	H410 - 41 ... - 232V1
			125	45	37	H412 - 41 ... - 232V1
Main/Emergency-Off Switches OFF position padlockable 09h		H400-A/ -D	63	22	18,5	H406 - 41 ... - 232V4
			80	30	22	H408 - 41 ... - 232V4
			100	37	30	H410 - 41 ... - 232V4
			125	45	37	H412 - 41 ... - 232V4

### SMD modules for basic switch A02

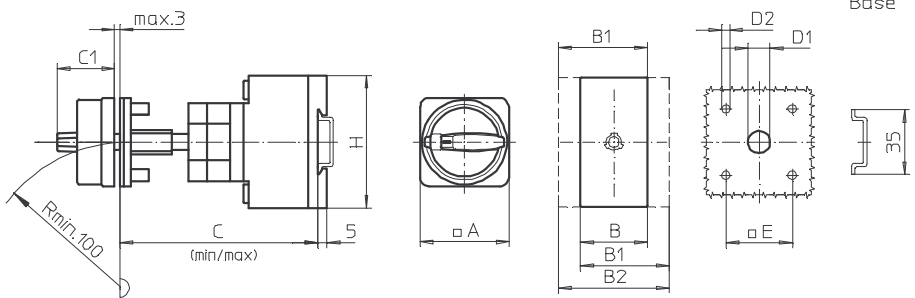
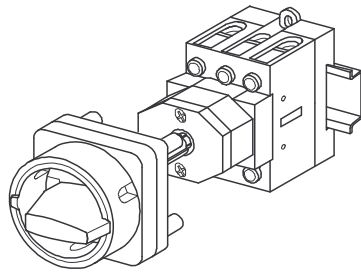
Mounting form module for 232V.	H400-A/ -D	BFA4 - 241
V-operator module 64 x 64 mm, mounting form 232V1		4AV1 - 09
Escutcheon black, handle black		
Legend plate silver, operator module 232V1		FAS4 - 9...
V-operator module 64 x 64 mm, mounting form 232V4		4AV4 - 09
Escutcheon black, handle red		
Legend plate yellow, operator module 232V4		FBS4 - 9...
Terminal cover, 3 pole	H400-A 1x / -D 2x	TCA4
Terminal cover, each additional single pole	H400-A/ -D	TCB4

### Dimensions (mm)

Product lines	A	B	B1	B2	C <sub>min</sub>	C <sub>max</sub>	C1	D1	D2	E	H
H400-A	64	70	89	108	102	119	40	15	5	48	80
H400-D	64	140	159	178	115	132	40	15	5	48	80

# Base Mounting Switches

# sälzer



**Product lines**  
H400-A/ -D

**Base mounting switch**

**Door clutch**

Modular shaft extension

**Four hole mounting**

48 x 48 mm front

**231M1 (IP66)**

**231M4 (IP66)**

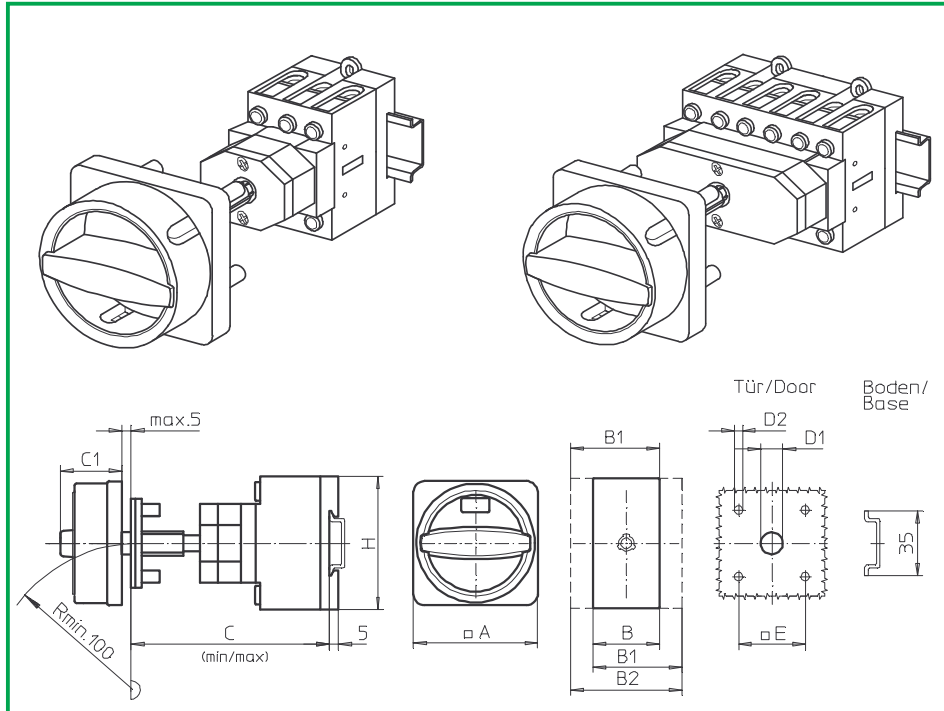
Complete switch	Poles	Product line	Rated data (IEC 60947)			Order code number
			Operational current I <sub>e</sub>	Operational power at 380–440 V		
			AC-21A A	AC-23A kW	AC-3 kW	
Main Switches OFF position padlockable 09h		H400-A/ -D	63	22	18,5	<b>H406 - 41 ... - 231M1</b>
			80	30	22	<b>H408 - 41 ... - 231M1</b>
			100	37	30	<b>H410 - 41 ... - 231M1</b>
			125	45	37	<b>H412 - 41 ... - 231M1</b>
Main/Emergency-Off Switches OFF position padlockable 09h		H400-A/ -D	63	22	18,5	<b>H406 - 41 ... - 231M4</b>
			80	30	22	<b>H408 - 41 ... - 231M4</b>
			100	37	30	<b>H410 - 41 ... - 231M4</b>
			125	45	37	<b>H412 - 41 ... - 231M4</b>

SMD modules for basic switch A02		
Mounting form module for 231M.	H400-A/ -D	<b>BFA4 - 231</b>
M-padlock device 67 x 67 mm, mounting form 231M1 Escutcheon black, padlockable handle black		<b>4BM1</b>
M-padlock device 67 x 67 mm, mounting form 231M4 Escutcheon yellow, padlockable handle red		<b>4BM4</b>
Terminal cover, 3 pole	H400-A 1x / -D 2x	<b>TCA4</b>
Terminal cover, each additional single pole	H400-A/ -D	<b>TCB4</b>

Dimensions (mm)											
Product lines	A	B	B1	B2	C <sub>min</sub>	C <sub>max</sub>	C1	D1	D2	E	H
H400-A	67	70	89	108	102	119	38	15	5	48	80
H400-D	67	140	159	178	115	132	38	15	5	48	80

# Base Mounting Switches

**sälzer**



**Product lines  
H400-A/ -D**

**Base mounting switch**

**Door clutch**

Modular shaft extension

**Four hole mounting**

48 x 48 mm front

**231N1 (IP66)**

**231N4 (IP66)**

Complete switch	Poles	Product line	Rated data (IEC 60947)			Order code number
			Operational current I <sub>e</sub>	Operational power at 380–440 V		
			AC-21A A	AC-23A kW	AC-3 kW	
Main Switches OFF position padlockable 09h		H400-A/ -D	63	22	18,5	<b>H406 - 41 ... - 231N1</b>
			80	30	22	<b>H408 - 41 ... - 231N1</b>
			100	37	30	<b>H410 - 41 ... - 231N1</b>
			125	45	37	<b>H412 - 41 ... - 231N1</b>
Main/Emergency-Off Switches OFF position padlockable 09h		H400-A/ -D	63	22	18,5	<b>H406 - 41 ... - 231N4</b>
			80	30	22	<b>H408 - 41 ... - 231N4</b>
			100	37	30	<b>H410 - 41 ... - 231N4</b>
			125	45	37	<b>H412 - 41 ... - 231N4</b>

### SMD modules for basic switch A02

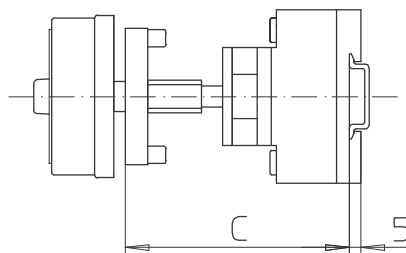
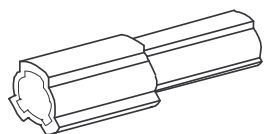
Mounting form module for 231N.	H400-A/ -D	<b>BFA4 - 231</b>
N-padlock device 67 x 67 mm, mounting form 231N1 Escutcheon black, padlockable handle black		<b>4BN1</b>
N-padlock device 67 x 67 mm, mounting form 231N4 Escutcheon yellow, padlockable handle red		<b>4BN4</b>
Terminal cover, 3 pole	H400-A 1x / -D 2x	<b>TCA4</b>
Terminal cover, each additional single pole	H400-A/ -D	<b>TCB4</b>

### Dimensions (mm)

Product lines	A	B	B1	B2	C <sub>min</sub>	C <sub>max</sub>	C1	D1	D2	E	H
H400-A	67	70	89	108	102	119	33	15	5	48	80
H400-D	67	140	159	178	115	132	33	15	5	48	80

# Modular shaft extension

**sälzer**



**Product lines**  
H400-A/ -D/ -E

**Base mounting switch**

**Door clutch**  
Modular shaft extension

**Four hole mounting**  
Front

**AVD4**

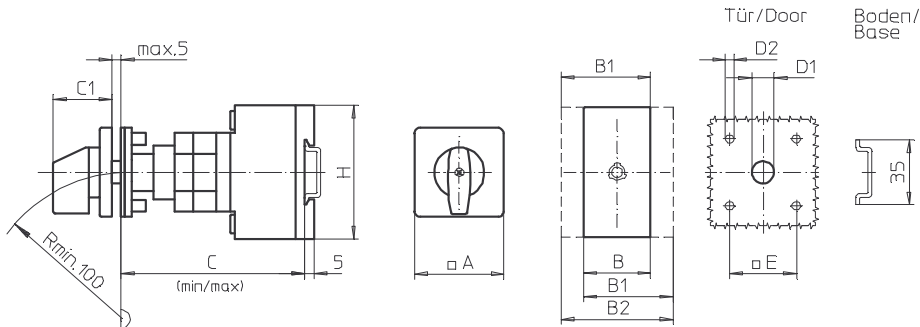
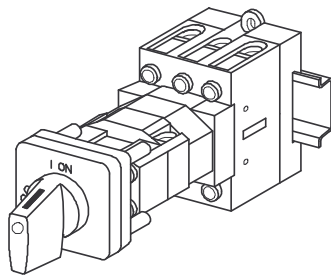
## Modular shaft extensions for use with door clutch

Dimension C (internal depth, inside of door to top of DIN rail)

Dimension	H400-A	H400-D/ -E	No.	Order code number
0	102 ... 119 mm	115 ... 132 mm	-	-
1	120 ... 144 mm	133 ... 157 mm	1	AVD4
2	145 ... 169 mm	158 ... 182 mm	2	AVD4
3	170 ... 194 mm	183 ... 207 mm	3	AVD4
4	195 ... 219 mm	208 ... 232 mm	4	AVD4

# Base Mounting Switches

# sälzer



**Product lines**  
H400-A/ -D/ -E

**Base mounting switch**

**Door interlock**

Modular shaft extension

**Four hole mounting**

48 x 48 mm front

**242M1 (IP66)**

Complete switch	Poles	Product line	Rated data (IEC 60947)			Order code number
			Operational current I <sub>e</sub>	Operational power at 380–440 V		
			AC-21A A	AC-23A kW	AC-3 kW	
ON-OFF Switches Switching angle 90°	3 ... 8	H400-A/ -D	63	22	18,5	<b>H406 - 41 ... - 242M1</b>
			80	30	22	<b>H408 - 41 ... - 242M1</b>
			100	37	30	<b>H410 - 41 ... - 242M1</b>
			125	45	37	<b>H412 - 41 ... - 242M1</b>
Changeover with OFF Switching angle 90°	3 ... 4	H400-E	63	22	18,5	<b>H406 - 71 ... - 242M1</b>
			80	30	22	<b>H408 - 71 ... - 242M1</b>
			100	37	30	<b>H410 - 71 ... - 242M1</b>
			125	45	37	<b>H412 - 71 ... - 242M1</b>

### SMD modules for basic switch A02

Mounting form module for 242M1

H400-A/ -D  
H400-E

**BFA4 - 242**  
**BFC4 - 242**

M-operator module 64 x 64 mm, mounting form 242M1  
Escutcheon black, handle black

H400-A/ -D/ -E

**4AM1**

Legend plate silver, operator module 242M1

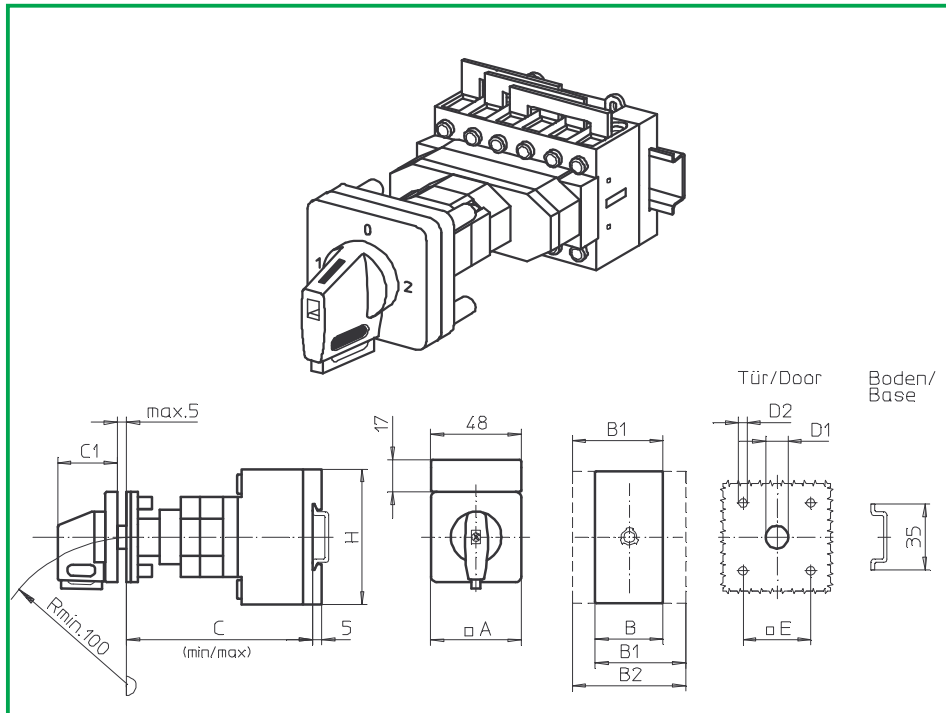
**FAS4 - 9...** (FA number)

### Dimensions (mm)

Product lines	A	B	B1	B2	C <sub>min</sub>	C <sub>max</sub>	C1	D1	D2	E	H
H400-A	64	70	89	108	102	117	40	15	5	48	80
H400-D/ -E	64	140	159	178	115	130	40	15	5	48	80

# Base Mounting Switches

# sälzer



**Product line**  
**H400-E**

**Base mounting switch**

**Door interlock**  
Modular shaft extension

**Four hole mounting**  
48 x 48 mm front

**242V1 (IP66)**  
**243V1 (IP66)**

Complete switch	Poles	Product line	Rated data (IEC 60947)			Order code number
			Operational current I <sub>e</sub>	Operational power at 380–440 V		
			AC-21A A	AC-23A kW	AC-3 kW	
Changeover with OFF Switching angle 90° OFF position padlockable 12h	3 ... 4	H400-E	63	22	18,5	<b>H406 - 71 ... - 242V1</b>
			80	30	22	<b>H408 - 71 ... - 242V1</b>
			100	37	30	<b>H410 - 71 ... - 242V1</b>
			125	45	37	<b>H412 - 71 ... - 242V1</b>
Changeover with OFF Switching angle 90° 3 positions padlockable (09h/12h/03h)	3 ... 4	H400-E	63	22	18,5	<b>H406 - 71 ... - 243V1</b>
			80	30	22	<b>H408 - 71 ... - 243V1</b>
			100	37	30	<b>H410 - 71 ... - 243V1</b>
			125	45	37	<b>H412 - 71 ... - 243V1</b>

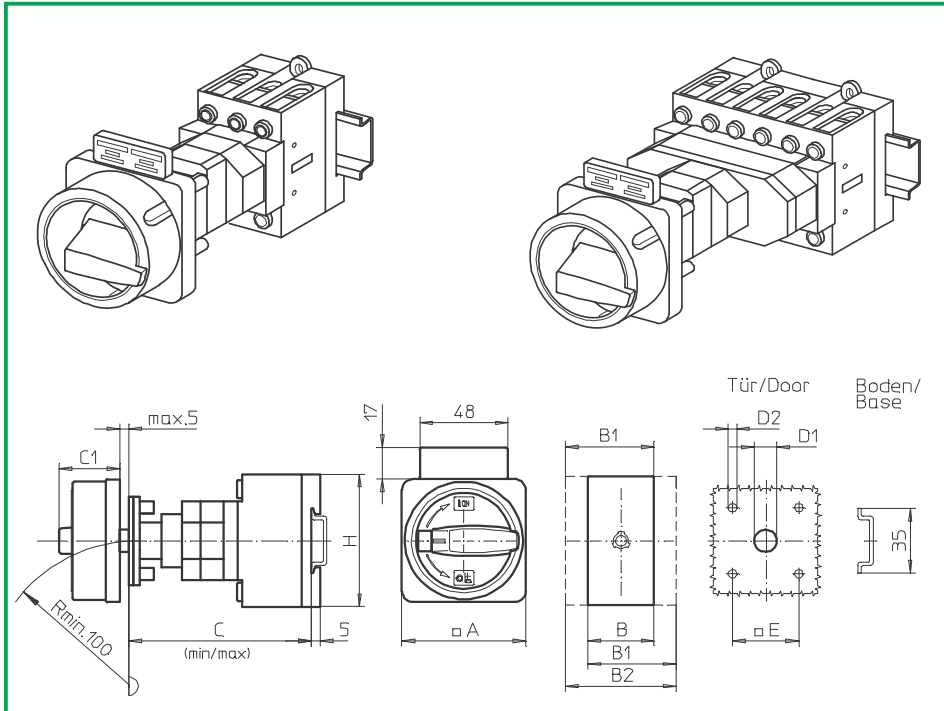
SMD modules for basic switch A02		
Mounting form module for 242V1/ 243V1	H400-E	<b>BFC4 - 242</b>
M-operator module 64 x 64 mm, mounting form 242V1 Escutcheon black, handle black		<b>4AV1 - 12</b>
M-operator module 64 x 64 mm, mounting form 243V1 Escutcheon black, handle black		<b>4AV1 - 99</b>
Legend plate silver, operator module 242V1/ 243V1		<b>FAS4 - 9...</b> (FA number)

Dimensions (mm)											
Product line	A	B	B1	B2	C <sub>min</sub>	C <sub>max</sub>	C1	D1	D2	E	H
H400-E	64	140	159	178	115	130	40	15	5	48	80



# Base Mounting Switches

# sälzer



**Product lines**  
H400-A/ -D

**Base mounting switch**

**Door interlock**

Modular shaft extension

**Four hole mounting**

48 x 48 mm front

**234M1 (IP66)**

**234M4 (IP66)**

Complete switch	Poles	Product line	Rated data (IEC 60947)			Order code number
			Operational current I <sub>e</sub>	Operational power at 380–440 V		
			AC-21A A	AC-23A kW	AC-3 kW	
Main Switches OFF position padlockable 09h	3 ... 8	H400-A/ -D	63	22	18,5	H406 - 41 ... - 234M1
			80	30	22	H408 - 41 ... - 234M1
			100	37	30	H410 - 41 ... - 234M1
			125	45	37	H412 - 41 ... - 234M1
Main/Emergency-Off Switches OFF position padlockable 09h	3 ... 8	H400-A/ -D	63	22	18,5	H406 - 41 ... - 234M4
			80	30	22	H408 - 41 ... - 234M4
			100	37	30	H410 - 41 ... - 234M4
			125	45	37	H412 - 41 ... - 234M4

## SMD modules for basic switch A02

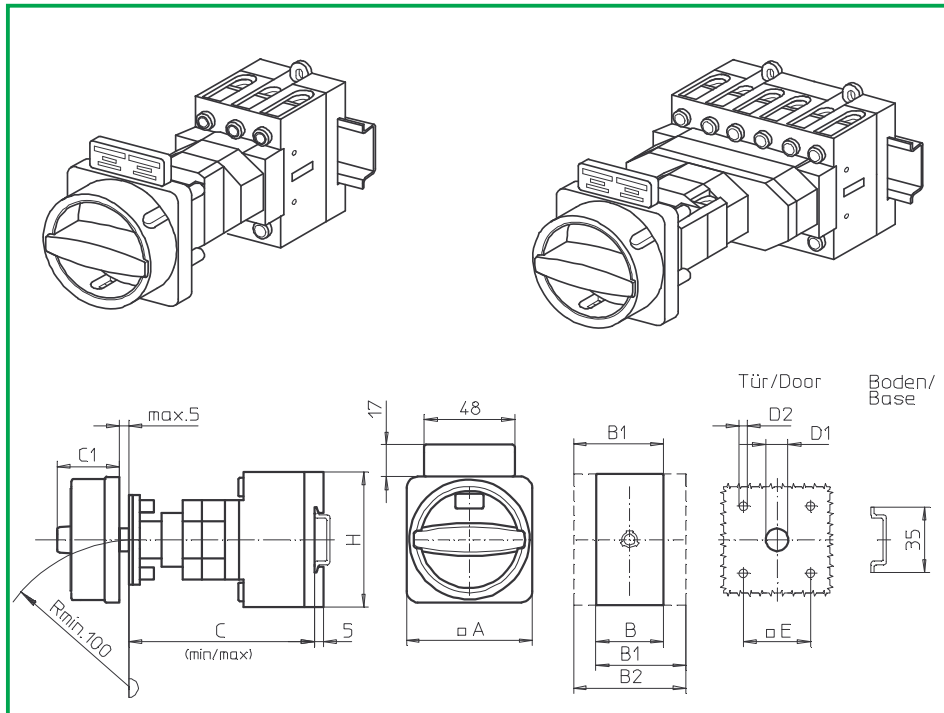
Mounting form module for 234M.	H400-A/ -D	BFA4 - 234
M-padlock device 88 x 88 mm, mounting form 234M1 Escutcheon black, padlockable handle black		4CM1
M-padlock device 88 x 88 mm, mounting form 234M4 Escutcheon yellow, padlockable handle red		4CM4
Additional top escutcheon plate		FAZZ - 8041
Terminal cover, 3 pole	H400-A 1x / -D 2x	TCA4
Terminal cover, each additional single pole	H400-A/ -D	TCB4

## Dimensions (mm)

Product lines	A	B	B1	B2	C <sub>min</sub>	C <sub>max</sub>	C1	D1	D2	E	H
H400-A	88	70	89	108	102	117	50	15	5	48	80
H400-D	88	140	159	178	115	130	50	15	5	48	80

# Base Mounting Switches

**sälzer**



**Product lines**  
H400-A/ -D

**Base mounting switch**

**Door interlock**  
Modular shaft extension

**Four hole mounting**  
48 x 48 mm front

**234N1 (IP66)**  
**234N4 (IP66)**

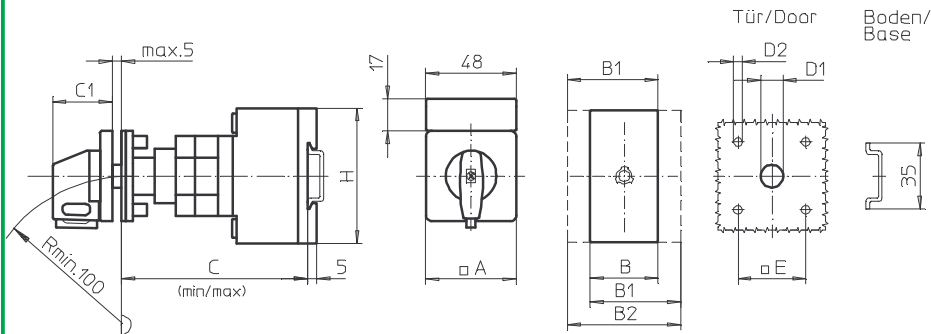
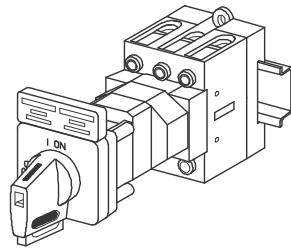
Complete switch	Poles	Product line	Rated data (IEC 60947)			Order code number
			Operational current I <sub>e</sub>	Operational power at 380–440 V		
			AC-21A A	AC-23A kW	AC-3 kW	
Main Switches OFF position padlockable 09h	3 ... 8	H400-A/ -D	63	22	18,5	H406 - 41 ... - 234N1
			80	30	22	H408 - 41 ... - 234N1
			100	37	30	H410 - 41 ... - 234N1
			125	45	37	H412 - 41 ... - 234N1
Main/Emergency-Off Switches OFF position padlockable 09h	3 ... 8	H400-A/ -D	63	22	18,5	H406 - 41 ... - 234N4
			80	30	22	H408 - 41 ... - 234N4
			100	37	30	H410 - 41 ... - 234N4
			125	45	37	H412 - 41 ... - 234N4

SMD modules for basic switch A02		
Mounting form module for 234M.	H400-A/ -D	BFA4 - 234
N-padlock device 88 x 88 mm, mounting form 234N1 Escutcheon black, padlockable handle black		4CN1
N-padlock device 88 x 88 mm, mounting form 234N4 Escutcheon yellow, padlockable handle red		4CN4
Additional top escutcheon plate		FAZ2 - 8041
Terminal cover, 3 pole	H400-A 1x / -D 2x	TCA4
Terminal cover, each additional single pole	H400-A/ -D	TCB4

Dimensions (mm)											
Product lines	A	B	B1	B2	C <sub>min</sub>	C <sub>max</sub>	C1	D1	D2	E	H
H400-A	88	70	89	108	102	117	45	15	5	48	80
H400-D	88	140	159	178	115	130	45	15	5	48	80

# Base Mounting Switches

# sälzer



**Product lines**  
H400-A/ -D

**Base mounting switch**

**Door interlock**  
Modular shaft extension

**Four hole mounting**  
48 x 48 mm front

**234V1 (IP66)**  
**234V4 (IP66)**

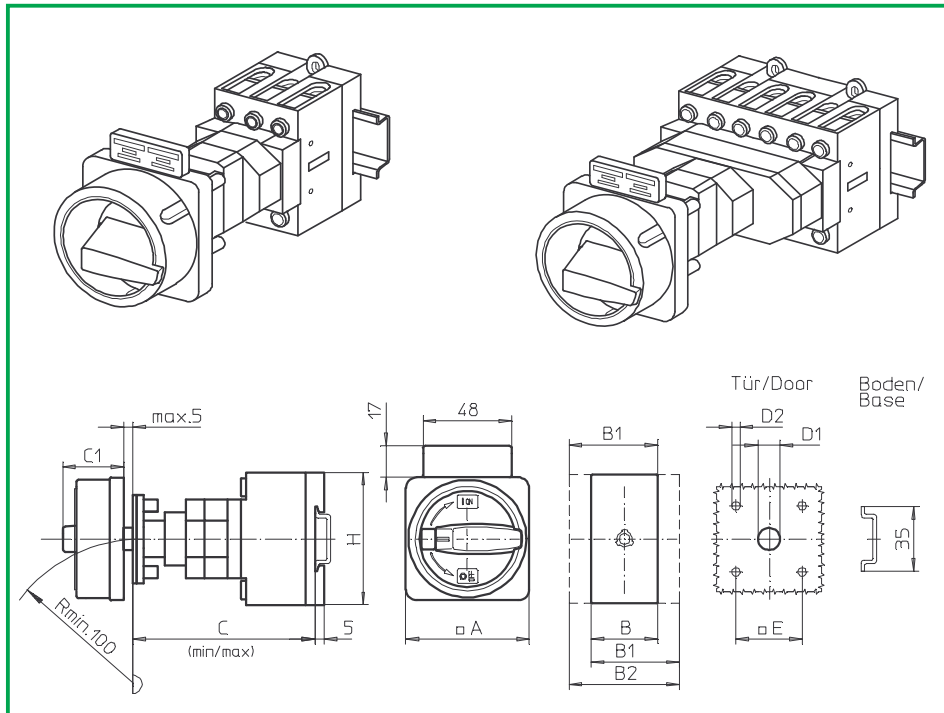
Complete switch	Poles	Product line	Rated data (IEC 60947)			Order code number
			Operational current I <sub>e</sub>	Operational power at 380–440 V		
			AC-21A A	AC-23A kW	AC-3 kW	
Main Switches OFF position padlockable 09h	3 ... 8	H400-A/ -D	63	22	18,5	<b>H406 - 41 ... - 234V1</b>
			80	30	22	<b>H408 - 41 ... - 234V1</b>
			100	37	30	<b>H410 - 41 ... - 234V1</b>
			125	45	37	<b>H412 - 41 ... - 234V1</b>
Main/Emergency-Off Switches OFF position padlockable 09h	3 ... 8	H400-A/ -D	63	22	18,5	<b>H406 - 41 ... - 234V4</b>
			80	30	22	<b>H408 - 41 ... - 234V4</b>
			100	37	30	<b>H410 - 41 ... - 234V4</b>
			125	45	37	<b>H412 - 41 ... - 234V4</b>

SMD modules for basic switch A02			
Mounting form module for 234V.		H400-A/ -D	<b>BFA4 - 242</b>
V-operator module 64 x 64 mm, mounting form 234V1			<b>4AV1 - 09</b>
Escutcheon black, handle black			
Legend plate silver, operator module 234V1			<b>FAS4 - 9...</b>
V-operator module 64 x 64 mm, mounting form 234V4			<b>4AV4 - 09</b>
Escutcheon black, handle red			
Legend plate yellow, operator module 232V4			<b>FBS4 - 9...</b>
Additional top escutcheon plate			<b>FAZ2 - 8041</b>
Terminal cover, 3 pole		H400-A 1x / -D 2x	<b>TCA4</b>
Terminal cover, each additional single pole		H400-A/ -D	<b>TCB4</b>

Dimensions (mm)											
Product lines	A	B	B1	B2	C <sub>min</sub>	C <sub>max</sub>	C1	D1	D2	E	H
H400-A	64	70	89	108	102	117	40	15	5	48	80
H400-D	64	140	159	178	115	130	40	15	5	48	80

# Base Mounting Switches

**sälzer**



**Product lines  
H400-A/ -D**

**Base mounting switch**

**Door interlock**  
Modular shaft extension

**Four hole mounting**  
48 x 48 mm front

**235M1 (IP66)**

**235M4 (IP66)**

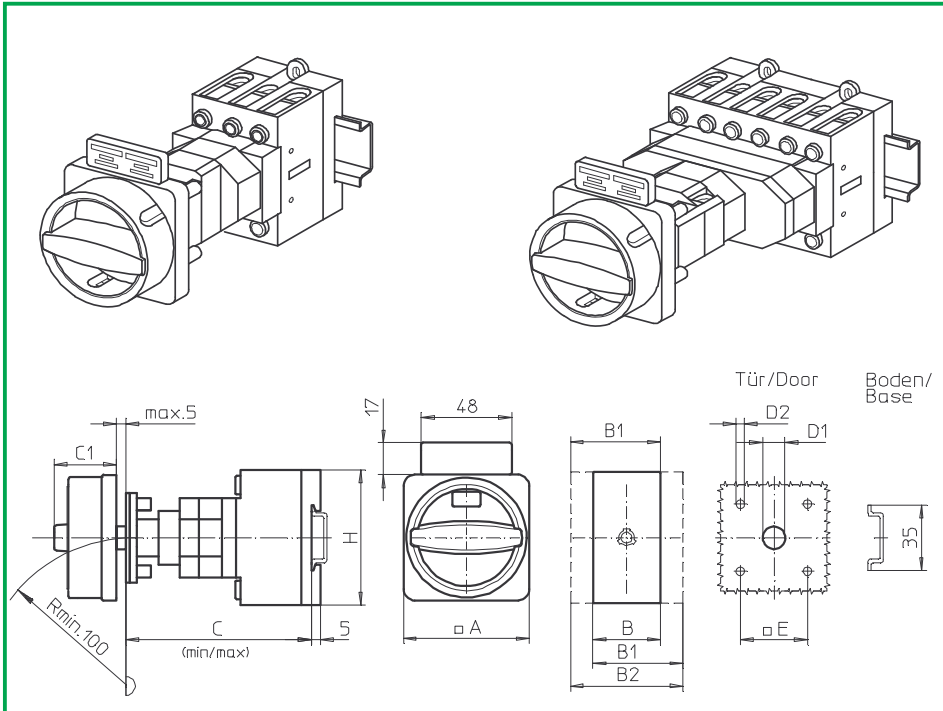
Complete switch	Poles	Product line	Rated data (IEC 60947)			Order code number
			Operational current I <sub>e</sub>	Operational power at 380–440 V		
			AC-21A A	AC-23A kW	AC-3 kW	
Main Switches OFF position padlockable 09h	3 ... 8	H400-A/ -D	63	22	18,5	<b>H406 - 41 ... - 235M1</b>
			80	30	22	<b>H408 - 41 ... - 235M1</b>
			100	37	30	<b>H410 - 41 ... - 235M1</b>
			125	45	37	<b>H412 - 41 ... - 235M1</b>
Main/Emergency-Off Switches OFF position padlockable 09h	3 ... 8	H400-A/ -D	63	22	18,5	<b>H406 - 41 ... - 235M4</b>
			80	30	22	<b>H408 - 41 ... - 235M4</b>
			100	37	30	<b>H410 - 41 ... - 235M4</b>
			125	45	37	<b>H412 - 41 ... - 235M4</b>

SMD modules for basic switch A02		
Mounting form module for 235M.	H400-A/ -D	<b>BFA4 - 235</b>
M-padlock device 67 x 67 mm, mounting form 235M1 Escutcheon black, padlockable handle black		<b>4BM1</b>
M-padlock device 67 x 67 mm, mounting form 235M4 Escutcheon yellow, padlockable handle red		<b>4BM4</b>
Additional top escutcheon plate		<b>FAZ2 - 8041</b>
Terminal cover, 3 pole	H400-A 1x / -D 2x	<b>TCA4</b>
Terminal cover, each additional single pole	H400-A/ -D	<b>TCB4</b>

Dimensions (mm)											
Product lines	A	B	B1	B2	C <sub>min</sub>	C <sub>max</sub>	C1	D1	D2	E	H
H400-A	67	70	89	108	102	117	38	15	5	48	80
H400-D	67	140	159	178	115	130	38	15	5	48	80

# Base Mounting Switches

**sälzer**



**Product lines**  
H400-A/ -D

**Base mounting switch**

**Door interlock**  
Modular shaft extension

**Four hole mounting**  
48 x 48 mm front

**235N1 (IP66)**  
**235N4 (IP66)**

Complete switch	Poles	Product line	Rated data (IEC 60947)			Order code number
			Operational current I <sub>e</sub>	Operational power at 380–440 V		
			AC-21A A	AC-23A kW	AC-3 kW	
Main Switches OFF position padlockable 09h	3 ... 8	H400-A/ -D	63	22	18,5	H406 - 41 ... - 235N1
			80	30	22	H408 - 41 ... - 235N1
			100	37	30	H410 - 41 ... - 235N1
			125	45	37	H412 - 41 ... - 235N1
Main/Emergency-Off Switches OFF position padlockable 09h	3 ... 8	H400-A/ -D	63	22	18,5	H406 - 41 ... - 235N4
			80	30	22	H408 - 41 ... - 235N4
			100	37	30	H410 - 41 ... - 235N4
			125	45	37	H412 - 41 ... - 235N4

### SMD modules for basic switch A02

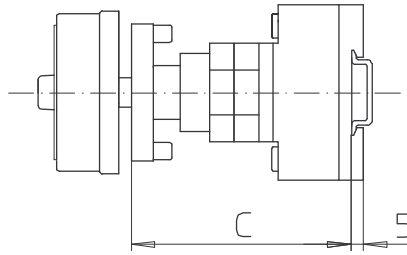
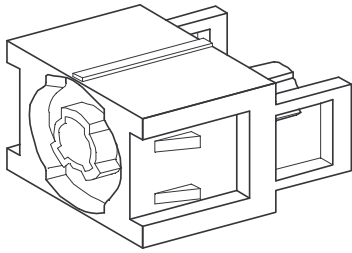
Mounting form module for 235N.	H400-A/ -D	BFA4 - 235
N-padlock device 67 x 67 mm, mounting form 235N1 Escutcheon black, padlockable handle black		4BN1
N-padlock device 67 x 67 mm, mounting form 235N4 Escutcheon yellow, padlockable handle red		4BN4
Additional top escutcheon plate		FAZ2 - 8041
Terminal cover, 3 pole	H400-A 1x / -D 2x	TCA4
Terminal cover, each additional single pole	H400-A/ -D	TCB4

### Dimensions (mm)

Product lines	A	B	B1	B2	C <sub>min</sub>	C <sub>max</sub>	C1	D1	D2	E	H
H400-A	67	70	89	108	102	117	33	15	5	48	80
H400-D	67	140	159	178	115	130	33	15	5	48	80

# Modular shaft extension

**sälzer**



**Product lines**  
H400-A/ -D/ -E

**Base mounting switch**

**Door interlock**  
Modular shaft extension

**Four hole mounting**  
Front

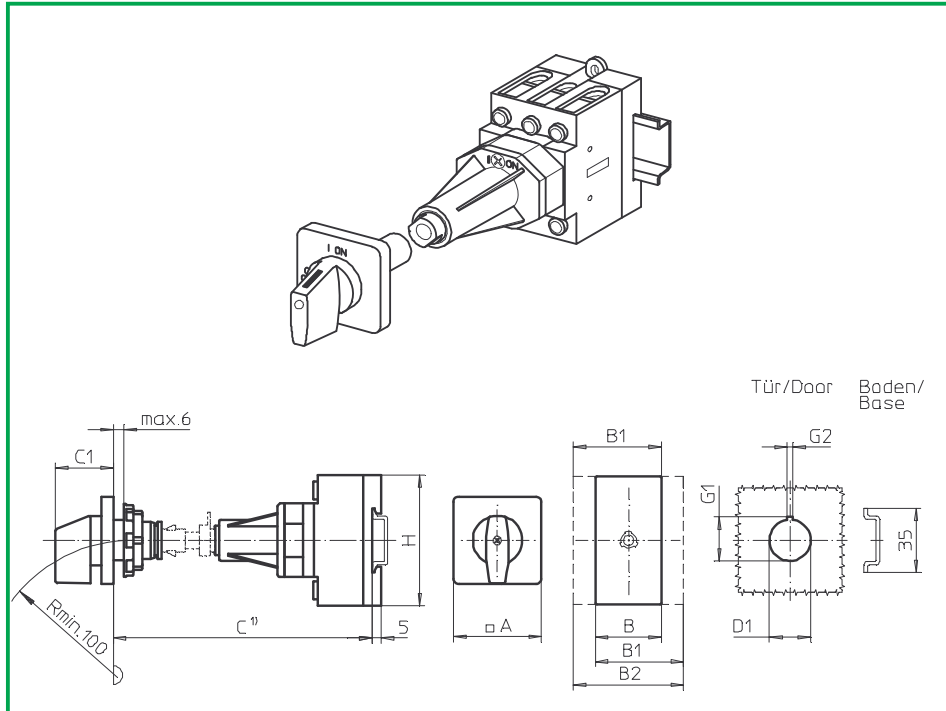
**AVC4 - .**

## Modular shaft extensions for use with door interlock

Dimension C (internal depth, inside of door to top of DIN rail)

Dimension	H400-A	H400-D/ -E	No.	Order code number
0	102 ... 117 mm	115 ... 130 mm	-	-
1	122 ... 142 mm	135 ... 155 mm	1	AVC4 - 1
2	147 ... 167 mm	160 ... 180 mm	1	AVC4 - 2
3	172 ... 192 mm	185 ... 205 mm	1	AVC4 - 3
4	197 ... 217 mm	210 ... 230 mm	1	AVC4 - 4

# Base Mounting Switches



**Product lines**  
H400-A/ -D

**Base mounting switch**

**Door clutch**

Metal shaft extension

**Single hole mounting**

ø 22,5 mm front

**282M1 (IP66)**

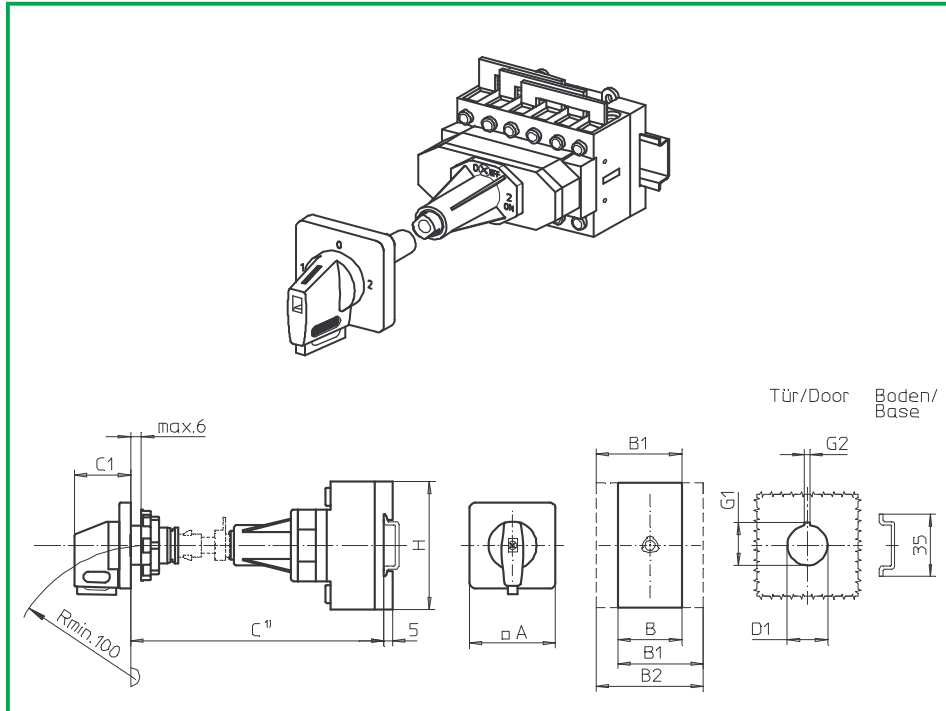
Complete switch	Poles	Product line	Rated data (IEC 60947)			Order code number
			Operational current I <sub>e</sub>	Operational power at 380–440 V		
			AC-21A A	AC-23A kW	AC-3 kW	
ON-OFF Switches Switching angle 90°	3 ... 8	H400-A/ -D	63	22	18,5	<b>H406 - 41 ... - 282M1</b>
			80	30	22	<b>H408 - 41 ... - 282M1</b>
			100	37	30	<b>H410 - 41 ... - 282M1</b>
			125	45	37	<b>H412 - 41 ... - 282M1</b>

SMD modules for basic switch A02			
Mounting form module for 282M1		H400-A/ -D	<b>BFA4 - 280</b>
M-operator module 64 x 64 mm, mounting form 282M1			<b>2NM1</b>
Escutcheon black, handle black			
Legend plate silver, operator module 282M1			<b>FAS4 - 9...</b> (FA number)

Dimensions (mm)									
Product lines	A	B	B1	B2	C1	D1	G1	G2	H
H400-A	64	70	89	108	39	22,5	24,2	3,2	80
H400-D	64	140	159	178	39	22,5	24,2	3,2	80

# Base Mounting Switches

**sälzer**



**Product line  
H400-E**

**Base mounting switch**

**Door clutch**

Metal shaft extension

**Single hole mounting**

ø 22,5 mm front

**282V1 (IP66)**

**292V1 (IP66)**

Complete switch	Poles	Product line	Rated data (IEC 60947)			Order code number
			Operational current I <sub>e</sub>	Operational power at 380–440 V		
			AC-21A A	AC-23A kW	AC-3 kW	
Changeover with OFF Switching angle 90° OFF position padlockable 12h	3 ... 4	H400-E	63	22	18,5	<b>H406 - 71 ... - 282V1</b>
			80	30	22	<b>H408 - 71 ... - 282V1</b>
			100	37	30	<b>H410 - 71 ... - 282V1</b>
			125	45	37	<b>H412 - 71 ... - 282V1</b>
Changeover with OFF Switching angle 90° 3 positions padlockable (09h/12h/03h)	3 ... 4	H400-E	63	22	18,5	<b>H406 - 71 ... - 292V1</b>
			80	30	22	<b>H408 - 71 ... - 292V1</b>
			100	37	30	<b>H410 - 71 ... - 292V1</b>
			125	45	37	<b>H412 - 71 ... - 292V1</b>

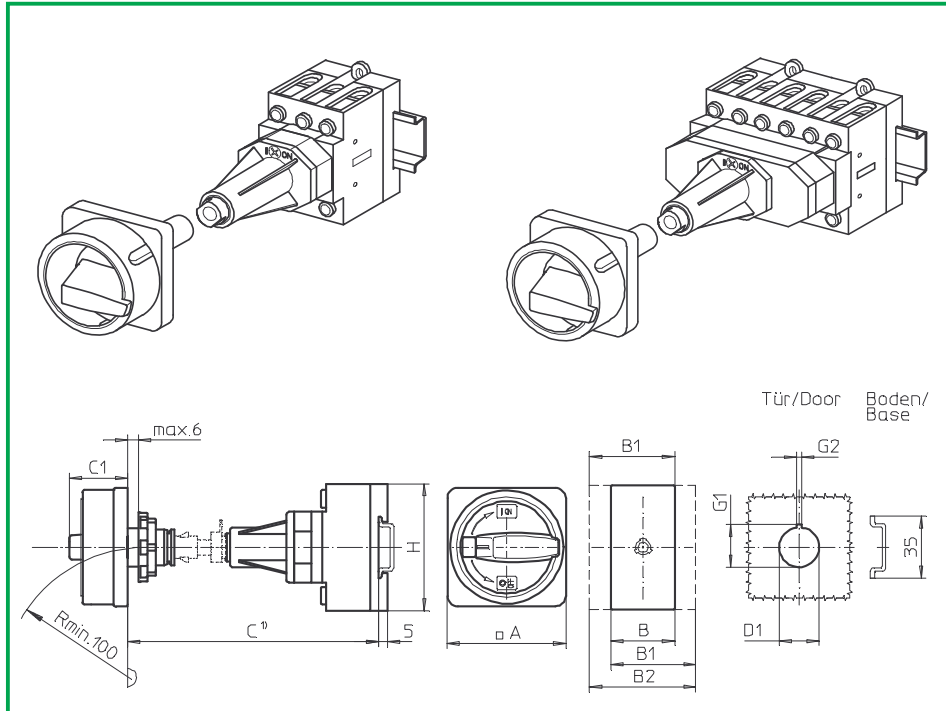
SMD modules for basic switch A02		
Mounting form module for 282V1/ 292V1	H400-E	<b>BFB4 - 280</b>
V-operator module 64 x 64 mm, mounting form 282V1 Escutcheon black, handle black		<b>2NV1 - 12</b>
V-operator module 64 x 64 mm, mounting form 292V1 Escutcheon black, handle black		<b>2NV1 - 99</b>
Legend plate silver, operator module 282V1/ 292V1		<b>FAS4 - 9...</b> (FA number)

Dimensions (mm)									
Product line	A	B	B1	B2	C1	D1	G1	G2	H
H400-E	64	140	159	178	39	22,5	24,2	3,2	80



# Base Mounting Switches

**sälzer**



**Product lines  
H400-A/ -D**

**Base mounting switch**

**Door clutch**

Metal shaft extension

**Single hole mounting**

ø 22,5 mm front

**280M1 (IP66)**

**280M4 (IP66)**

Complete switch	Poles	Product line	Rated data (IEC 60947)			Order code number
			Operational current I <sub>e</sub>	Operational power at 380–440 V		
			AC-21A A	AC-23A kW	AC-3 kW	
Main Switches OFF position padlockable 09h	3 ... 8	H400-A/ -D	63	22	18,5	<b>H406 - 41 ... - 280M1</b>
			80	30	22	<b>H408 - 41 ... - 280M1</b>
			100	37	30	<b>H410 - 41 ... - 280M1</b>
			125	45	37	<b>H412 - 41 ... - 280M1</b>
Main/Emergency-Off Switches OFF position padlockable 09h	3 ... 8	H400-A/ -D	63	22	18,5	<b>H406 - 41 ... - 280M4</b>
			80	30	22	<b>H408 - 41 ... - 280M4</b>
			100	37	30	<b>H410 - 41 ... - 280M4</b>
			125	45	37	<b>H412 - 41 ... - 280M4</b>

### SMD modules for basic switch A02

Mounting form module for 280M.

H400-A/ -D

**BFA4 - 280**

M-padlock device 67 x 67 mm, mounting form 280M1  
Escutcheon black, padlockable handle black

**2GM1**

M-padlock device 67 x 67 mm, mounting form 280M4  
Escutcheon yellow, padlockable handle red

**2GM4**

Terminal cover, 3 pole

H400-A 1x / -D 2x

**TCA4**

Terminal cover, each additional single pole

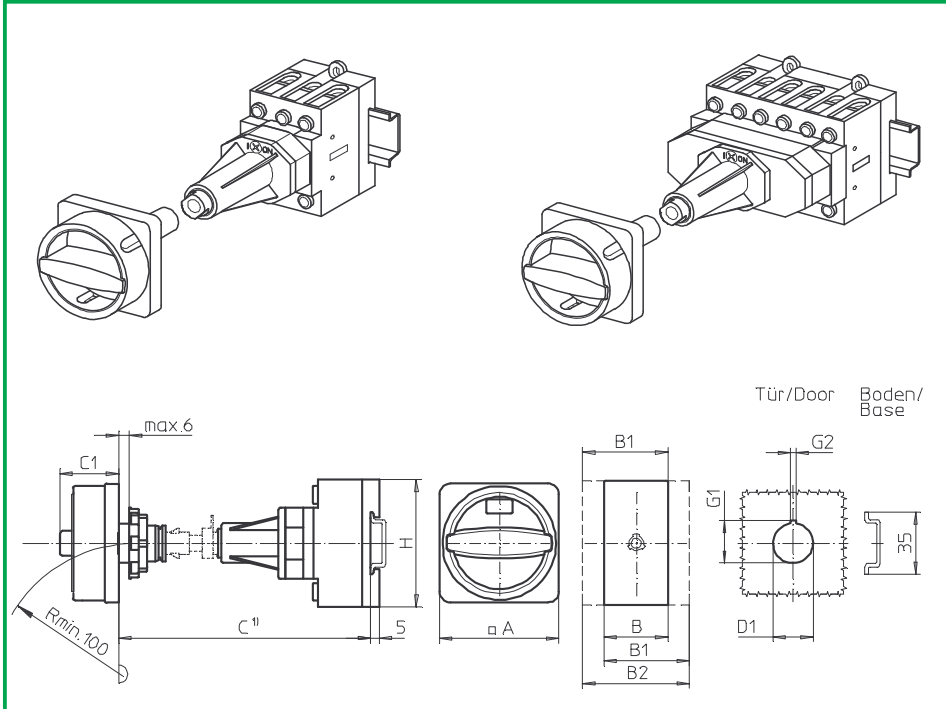
H400-A/ -D

**TCB4**

### Dimensions (mm)

Product lines	A	B	B1	B2	C1	D1	G1	G2	H
H400-A	67	70	89	108	38	22,5	24,2	3,2	80
H400-D	67	140	159	178	38	22,5	24,2	3,2	80

# Base Mounting Switches



**Product lines**  
**H400-A/ -D**

**Base mounting switch**

**Door clutch**  
 Metal shaft extension

**Single hole mounting**  
 ø 22,5 mm front

**280N1 (IP66)**  
**280N4 (IP66)**

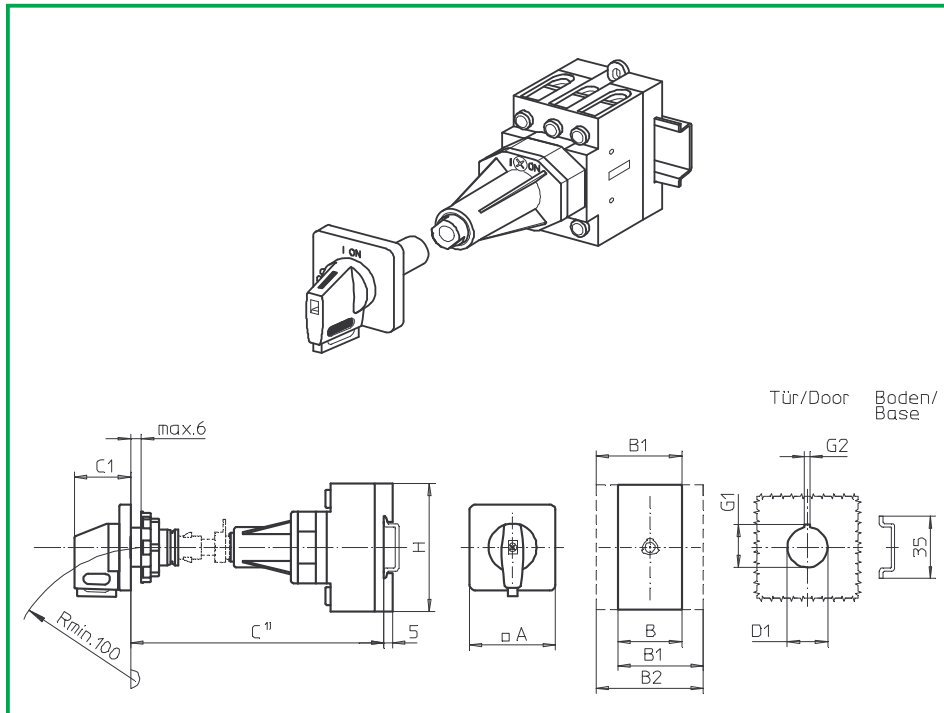
Complete switch	Poles	Product line	Rated data (IEC 60947)			Order code number
			Operational current I <sub>e</sub>	Operational power at 380–440 V		
			AC-21A A	AC-23A kW	AC-3 kW	
Main Switches OFF position padlockable 09h	3 ... 8	H400-A/ -D	63	22	18,5	<b>H406 - 41 ... - 280N1</b>
			80	30	22	<b>H408 - 41 ... - 280N1</b>
			100	37	30	<b>H410 - 41 ... - 280N1</b>
			125	45	37	<b>H412 - 41 ... - 280N1</b>
Main/Emergency-Off Switches OFF position padlockable 09h	3 ... 8	H400-A/ -D	63	22	18,5	<b>H406 - 41 ... - 280N4</b>
			80	30	22	<b>H408 - 41 ... - 280N4</b>
			100	37	30	<b>H410 - 41 ... - 280N4</b>
			125	45	37	<b>H412 - 41 ... - 280N4</b>

SMD modules for basic switch A02		
Mounting form module for 280N.	H400-A/ -D	<b>BFA4 - 280</b>
N-padlock device 67 x 67 mm, mounting form 280N1 Escutcheon black, padlockable handle black		<b>2GN1</b>
N-padlock device 67 x 67 mm, mounting form 280N4 Escutcheon yellow, padlockable handle red		<b>2GN4</b>
Terminal cover, 3 pole	H400-A 1x / -D 2x	<b>TCA4</b>
Terminal cover, each additional single pole	H400-A/ -D	<b>TCB4</b>

Dimensions (mm)									
Product lines	A	B	B1	B2	C1	D1	G1	G2	H
H400-A	67	70	89	108	33	22,5	24,2	3,2	80
H400-D	67	140	159	178	33	22,5	24,2	3,2	80

# Base Mounting Switches

# sälzer



**Product lines**  
H400-A/ -D

**Base mounting switch**

**Door clutch**

Metal shaft extension

**Single hole mounting**

ø 22,5 mm front

**280V1 (IP66)**

**280V4 (IP66)**

Complete switch	Poles	Product line	Rated data (IEC 60947)			Order code number
			Operational current I <sub>e</sub>	Operational power at 380–440 V		
			AC-21A A	AC-23A kW	AC-3 kW	
Main Switches OFF position padlockable 09h	3 ... 8	H400-A/ -D	63	22	18,5	H406 - 41 ... - 280V1
			80	30	22	H408 - 41 ... - 280V1
			100	37	30	H410 - 41 ... - 280V1
			125	45	37	H412 - 41 ... - 280V1
Main/Emergency-Off Switches OFF position padlockable 09h	3 ... 8	H400-A/ -D	63	22	18,5	H406 - 41 ... - 280V4
			80	30	22	H408 - 41 ... - 280V4
			100	37	30	H410 - 41 ... - 280V4
			125	45	37	H412 - 41 ... - 280V4

## SMD modules for basic switch A02

Mounting form module for 280V.

V-operator module 64 x 64 mm, mounting form 280V1

Escutcheon black, handle black

Legend plate silver, operator module 280V1

V-operator module 64 x 64 mm, mounting form 280V4

Escutcheon black, handle red

Legend plate yellow, operator module 280V4

Terminal cover, 3 pole

Terminal cover, each additional single pole

H400-A/ -D

BFA4 - 280

2NV1 - 09

FAS4 - 9078

2NV4 - 09

FBS4 - 9078

H400-A 1x / -D 2x

H400-A/ -D

TCA4

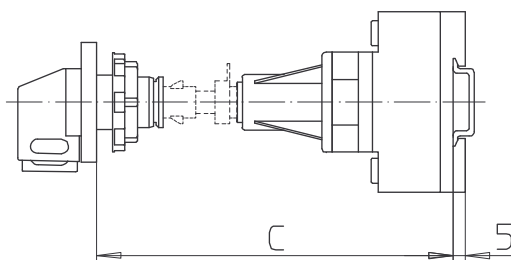
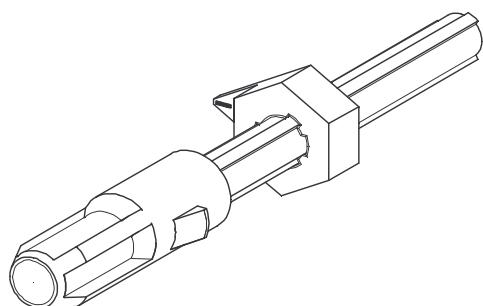
TCB4

## Dimensions (mm)

Product lines	A	B	B1	B2	C1	D1	G1	G2	H
H400-A	64	70	89	108	39	22,5	24,2	3,2	80
H400-D	64	140	159	178	39	22,5	24,2	3,2	80

# Metal shaft extension

**sälzer**



**Product lines**  
H400-A/ -D/ -E

**Base mounting**  
switch

**Door clutch**  
Metal shaft extension

**Single hole mounting**  
ø 22,5 mm front

**AVA8 - . . .**

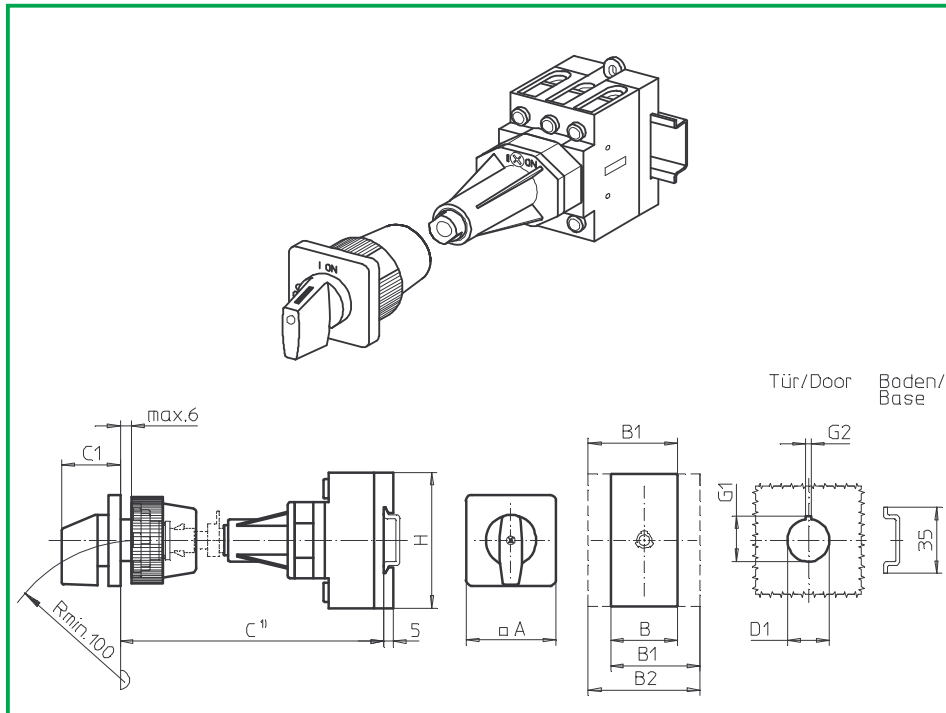
## Metal shaft extension for mounting forms with door clutch and single hole mounting ø 22,5 mm front

Dimension C (internal depth, outside of door to top of DIN rail)

H400-A	H400-D/E	Order code number
165 ... 183 mm	177 ... 195 mm	AVA8 - 065
184 ... 208 mm	196 ... 220 mm	AVA8 - 090
209 ... 233 mm	221 ... 245 mm	AVA8 - 115
234 ... 258 mm	246 ... 270 mm	AVA8 - 140
259 ... 283 mm	271 ... 295 mm	AVA8 - 165
284 ... 308 mm	296 ... 320 mm	AVA8 - 190
309 ... 333 mm	321 ... 345 mm	AVA8 - 215
334 ... 358 mm	346 ... 370 mm	AVA8 - 240
359 ... 383 mm	371 ... 395 mm	AVA8 - 265
384 ... 408 mm	396 ... 420 mm	AVA8 - 290
409 ... 433 mm	421 ... 445 mm	AVA8 - 315
434 ... 458 mm	446 ... 470 mm	AVA8 - 340
459 ... 483 mm	471 ... 495 mm	AVA8 - 365
484 ... 508 mm	496 ... 520 mm	AVA8 - 390
509 ... 533 mm	521 ... 545 mm	AVA8 - 415
534 ... 558 mm	546 ... 570 mm	AVA8 - 440
559 ... 583 mm	571 ... 595 mm	AVA8 - 465
584 ... 608 mm	596 ... 620 mm	AVA8 - 490
609 ... 633 mm	621 ... 645 mm	AVA8 - 515
634 ... 658 mm	646 ... 670 mm	AVA8 - 540

# Base Mounting Switches

**sälzer**



**Product lines**  
H400-A/ -D/ -E

**Base mounting switch**

**Door interlock**  
Metal shaft extension

**Single hole mounting**  
ø 22,5 mm front

**283M1 (IP66)**

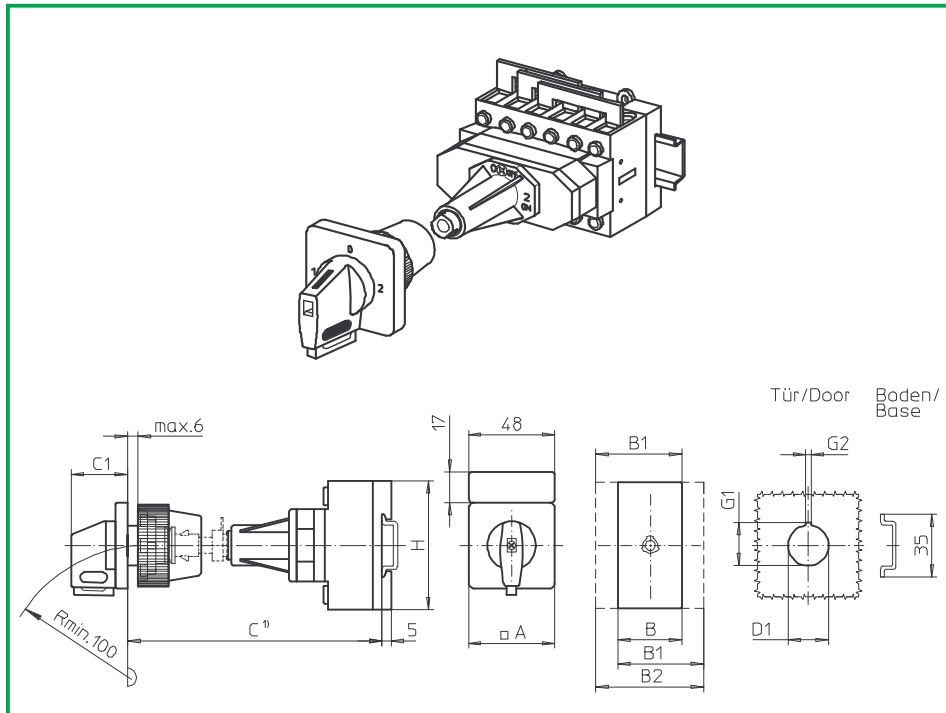
Complete switch	Poles	Product line	Rated data (IEC 60947)			Order code number
			Operational current I <sub>e</sub>	Operational power at 380–440 V		
			AC-21A A	AC-23A kW	AC-3 kW	
ON-OFF Switches Switching angle 90°	3 ... 8	H400-A/ -D	63	22	18,5	<b>H406 - 41 ... - 283M1</b>
			80	30	22	<b>H408 - 41 ... - 283M1</b>
			100	37	30	<b>H410 - 41 ... - 283M1</b>
			125	45	37	<b>H412 - 41 ... - 283M1</b>
Changeover with OFF Switching angle 90°	3 ... 84	H400-E	63	22	18,5	<b>H406 - 71 ... - 283M1</b>
			80	30	22	<b>H408 - 71 ... - 283M1</b>
			100	37	30	<b>H410 - 71 ... - 283M1</b>
			125	45	37	<b>H412 - 71 ... - 283M1</b>

SMD modules for basic switch A02		
Mounting form module for 283M1	H400-A/ -D H400-E	<b>BFA4 - 281</b> <b>BFB4 - 281</b>
M-operator module 64 x 64 mm, mounting form 283M1 Escutcheon black, handle black	H400-A/ -D H400-E	<b>2NM1</b> <b>2IM1</b>
Legend plate silver, operator module 283M1		<b>FAS4 - 9...</b> (FA number)

Dimensions (mm)									
Product lines	A	B	B1	B2	C1	D1	G1	G2	H
H400-A	64	70	89	108	39	22,5	24,2	3,2	80
H400-D/ -E	64	140	159	178	39	22,5	24,2	3,2	80

# Base Mounting Switches

# sälzer



**Product line**  
**H400-E**

**Base mounting switch**

**Door interlock**  
Metal shaft extension

**Single hole mounting**  
ø 22,5 mm front

**283V1 (IP66)**  
**293V1 (IP66)**

Complete switch	Poles	Product line	Rated data (IEC 60947)			Order code number
			Operational current I <sub>e</sub>	Operational power at 380–440 V		
			AC-21A A	AC-23A kW	AC-3 kW	
Changeover with OFF Switching angle 90° OFF position padlockable 12h	3 ... 4	H400-E	63	22	18,5	<b>H406 - 71 ... - 283V1</b>
			80	30	22	<b>H408 - 71 ... - 283V1</b>
			100	37	30	<b>H410 - 71 ... - 283V1</b>
			125	45	37	<b>H412 - 71 ... - 283V1</b>
Changeover with OFF Switching angle 90° 3 positions padlockable (09h/12h/03h)	3 ... 4	H400-E	63	22	18,5	<b>H406 - 71 ... - 293V1</b>
			80	30	22	<b>H408 - 71 ... - 293V1</b>
			100	37	30	<b>H410 - 71 ... - 293V1</b>
			125	45	37	<b>H412 - 71 ... - 293V1</b>

### SMD modules for basic switch A02

Mounting form module for 283V1/ 293V1

H400-E

**BFB4 - 281**

V-operator module 64 x 64 mm, mounting form 283V1  
Escutcheon black, handle black

**2IV1 - 12**

V-operator module 64 x 64 mm, mounting form 293V1  
Escutcheon black, handle black

**2IV1 - 99**

Legend plate silver, operator module 283V1/ 293V1

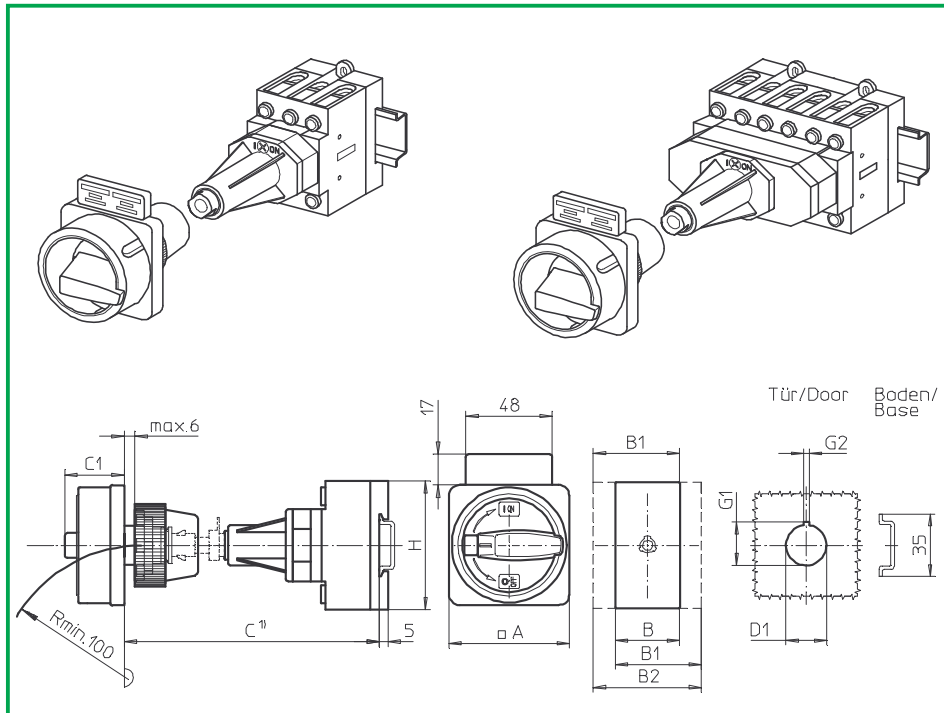
**FAS4 - 9...** (FA number)

### Dimensions (mm)

Product line	A	B	B1	B2	C1	D1	G1	G2	H
H400-E	64	140	159	178	39	22,5	24,2	3,2	80

# Base Mounting Switches

**sälzer**



**Product lines  
H400-A/ -D**

**Base mounting switch**

**Door interlock**  
Metal shaft extension

**Single hole mounting**  
ø 22,5 mm front

**281M1 (IP66)**  
**281M4 (IP66)**

Complete switch	Poles	Product line	Rated data (IEC 60947)			Order code number
			Operational current I <sub>e</sub>	Operational power at 380–440 V		
			AC-21A A	AC-23A kW	AC-3 kW	
Main Switches OFF position padlockable 09h	3 ... 8	H400-A/ -D	63	22	18,5	<b>H406 - 41 ... - 281M1</b>
			80	30	22	<b>H408 - 41 ... - 281M1</b>
			100	37	30	<b>H410 - 41 ... - 281M1</b>
			125	45	37	<b>H412 - 41 ... - 281M1</b>
Main/Emergency-Off Switches OFF position padlockable 09h	3 ... 8	H400-A/ -D	63	22	18,5	<b>H406 - 41 ... - 281M4</b>
			80	30	22	<b>H408 - 41 ... - 281M4</b>
			100	37	30	<b>H410 - 41 ... - 281M4</b>
			125	45	37	<b>H412 - 41 ... - 281M4</b>

## SMD modules for basic switch A02

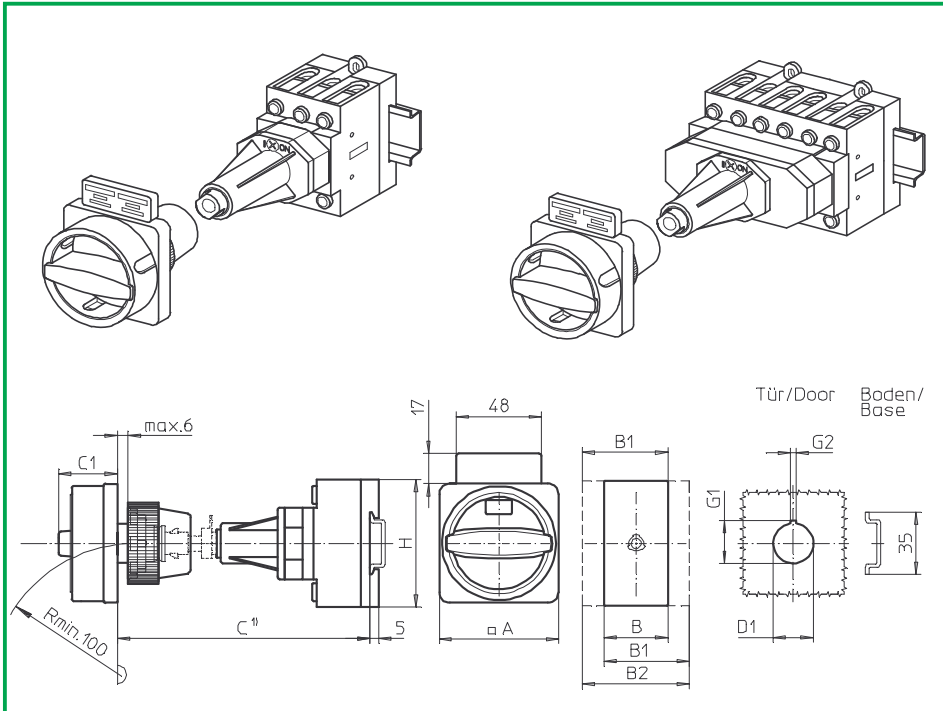
Mounting form module for 281M.	H400-A/ -D	<b>BFA4 - 281</b>
M-padlock device 67 x 67 mm, mounting form 281M1 Escutcheon black, padlockable handle black		<b>2GM1</b>
M-padlock device 67 x 67 mm, mounting form 281M4 Escutcheon yellow, padlockable handle red		<b>2GM4</b>
Additional top escutcheon plate		<b>FAZ2 - 8041</b>
Terminal cover, 3 pole	H400-A 1x / -D 2x	<b>TCA4</b>
Terminal cover, each additional single pole	H400-A/ -D	<b>TCB4</b>

## Dimensions (mm)

Product lines	A	B	B1	B2	C1	D1	G1	G2	H
H400-A	67	70	89	108	38	22,5	24,2	3,2	80
H400-D	67	140	159	178	38	22,5	24,2	3,2	80

# Base Mounting Switches

**sälzer**



**Product lines  
H400-A/ -D**

**Base mounting switch**

**Door interlock**  
Metal shaft extension

**Single hole mounting**  
ø 22,5 mm front

**281N1 (IP66)**  
**281N4 (IP66)**

Complete switch	Poles	Product line	Rated data (IEC 60947)			Order code number
			Operational current I <sub>e</sub>	Operational power at 380–440 V		
			AC-21A A	AC-23A kW	AC-3 kW	
Main Switches OFF position padlockable 09h	3 ... 8	H400-A/ -D	63	22	18,5	<b>H406 - 41 ... - 281N1</b>
			80	30	22	<b>H408 - 41 ... - 281N1</b>
			100	37	30	<b>H410 - 41 ... - 281N1</b>
			125	45	37	<b>H412 - 41 ... - 281N1</b>
Main/Emergency-Off Switches OFF position padlockable 09h	3 ... 8	H400-A/ -D	63	22	18,5	<b>H406 - 41 ... - 281N4</b>
			80	30	22	<b>H408 - 41 ... - 281N4</b>
			100	37	30	<b>H410 - 41 ... - 281N4</b>
			125	45	37	<b>H412 - 41 ... - 281N4</b>

## SMD modules for basic switch A02

Mounting form module for 281N.

H400-A/ -D

**BFA4 - 281**

N-padlock device 67 x 67 mm, mounting form 281N1  
Escutcheon black, padlockable handle black

**2GN1**

N-padlock device 67 x 67 mm, mounting form 281N4  
Escutcheon yellow, padlockable handle red

**2GN4**

Additional top escutcheon plate

**FAZ2 - 8041**

Terminal cover, 3 pole

H400-A 1x / -D 2x

**TCA4**

Terminal cover, each additional single pole

H400-A/ -D

**TCB4**

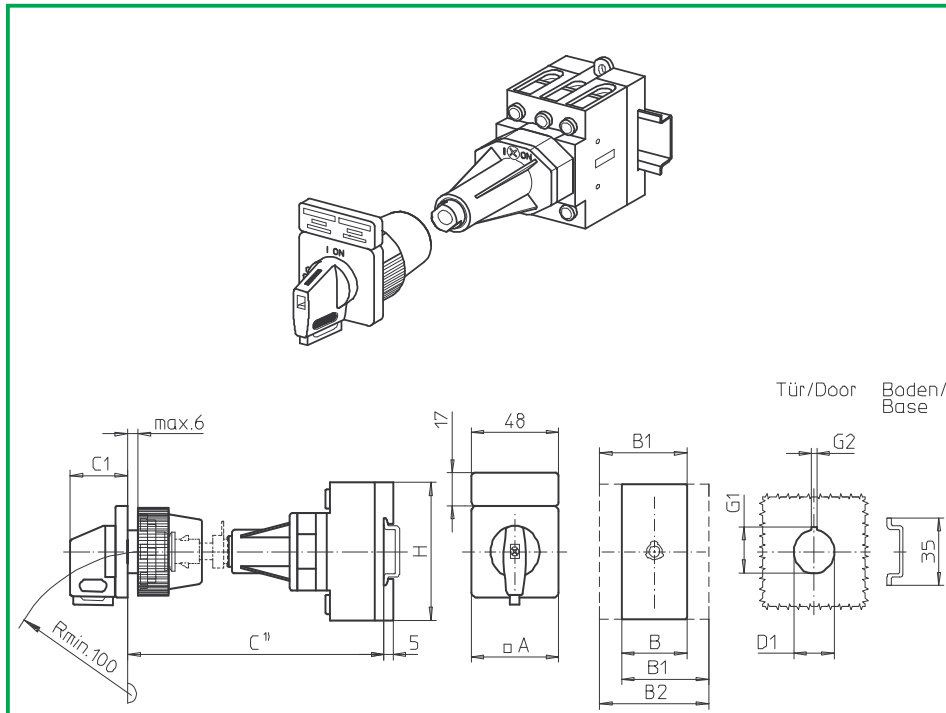
## Dimensions (mm)

Product lines	A	B	B1	B2	C1	D1	G1	G2	H
H400-A	67	70	89	108	33	22,5	24,2	3,2	80
H400-D	67	140	159	178	33	22,5	24,2	3,2	80



# Base Mounting Switches

**sälzer**



**Product lines**  
H400-A/ -D

**Base mounting switch**

**Door interlock**  
Metal shaft extension

**Single hole mounting**  
ø 22,5 mm front

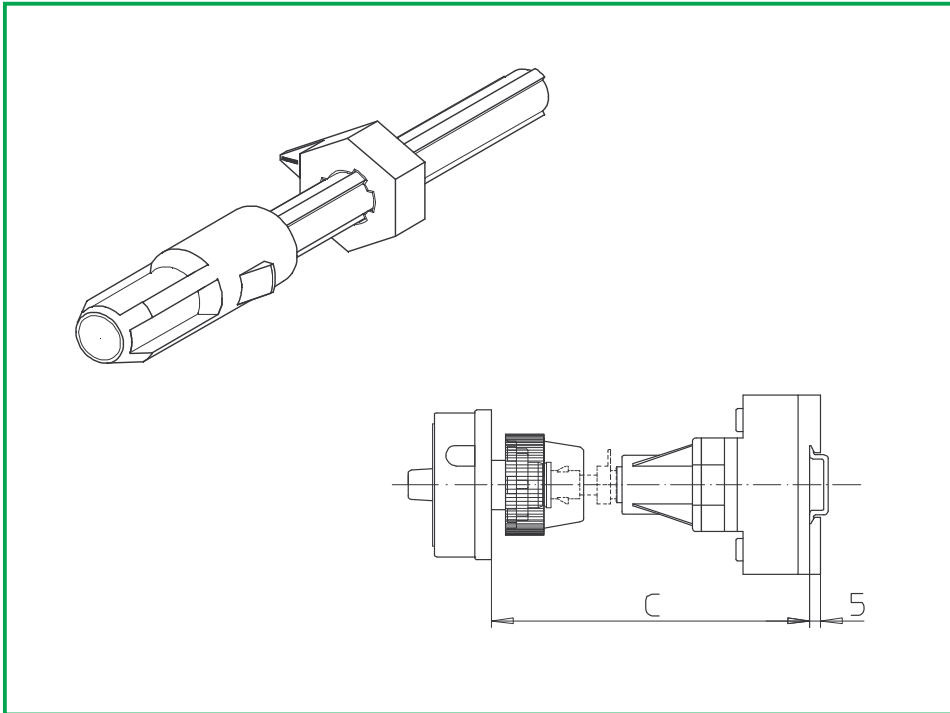
**281V1 (IP66)**  
**281V4 (IP66)**

Complete switch	Poles	Product line	Rated data (IEC 60947)			Order code number
			Operational current I <sub>e</sub>	Operational power at 380–440 V		
			AC-21A A	AC-23A kW	AC-3 kW	
Main Switches OFF position padlockable 09h	3 ... 8	H400-A/ -D	63	22	18,5	H406 - 41 ... - 281V1
			80	30	22	H408 - 41 ... - 281V1
			100	37	30	H410 - 41 ... - 281V1
			125	45	37	H412 - 41 ... - 281V1
Main/Emergency-Off Switches OFF position padlockable 09h	3 ... 8	H400-A/ -D	63	22	18,5	H406 - 41 ... - 281V4
			80	30	22	H408 - 41 ... - 281V4
			100	37	30	H410 - 41 ... - 281V4
			125	45	37	H412 - 41 ... - 281V4

SMD modules for basic switch A02	Product line	Order code number
Mounting form module for 281V.	H400-A/ -D	BFA4 - 281
V-operator module 64 x 64 mm, mounting form 281V1		2NV1 - 09
Escutcheon black, handle black		
Legend plate silver, operator module 281V1		FAS4 - 9078
V-operator module 64 x 64 mm, mounting form 281V4		2NV4 - 09
Escutcheon black, handle red		
Legend plate yellow, operator module 281V4		FBS4 - 9078
Additional top escutcheon plate		FAZ2 - 8041
Terminal cover, 3 pole	H400-A 1x / -D 2x	TCA4
Terminal cover, each additional single pole	H400-A/ -D	TCB4

Dimensions (mm)									
Product lines	A	B	B1	B2	C1	D1	G1	G2	H
H400-A	64	70	89	108	39	22,5	24,2	3,2	80
H400-D	64	140	159	178	39	22,5	24,2	3,2	80

# Metal shaft extension



**Product lines**  
H400-A/ -D/ -E

**Base mounting**  
switch

**Door interlock**  
Metal shaft extension

**Single hole mounting**  
ø 22,5 mm front

**AVA8 - . . .**

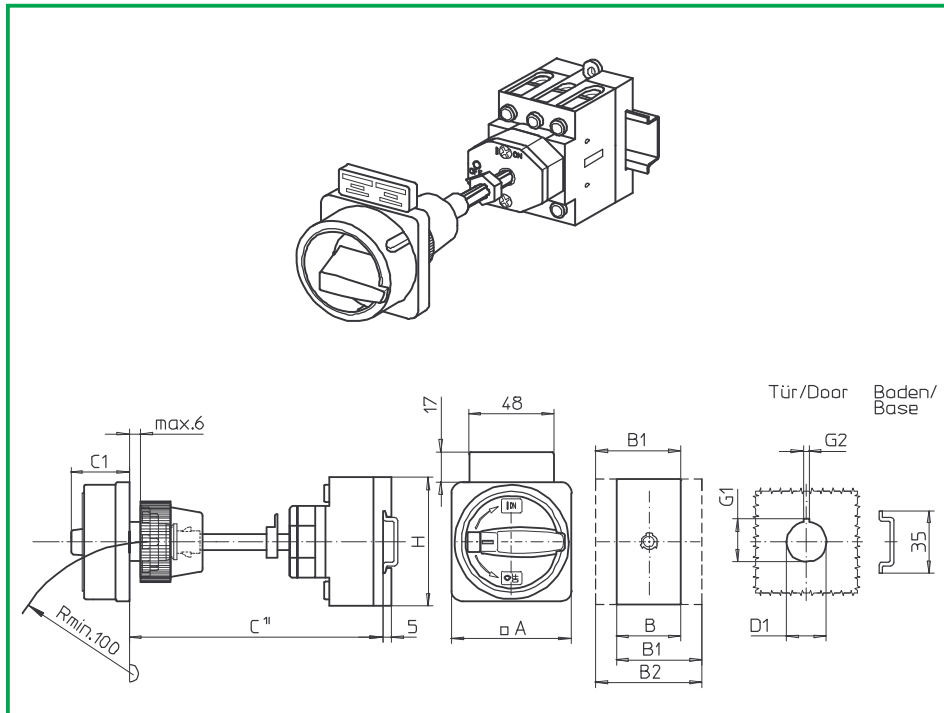
**Metal shaft extension for mounting forms with door interlock and single hole mounting ø 22,5 mm front**

Dimension C (internal depth, outside of door to top of DIN rail)

H400-A	H400-D/ -E	Order code number
165 ... 183 mm	177 ... 195 mm	AVA8 - 065
184 ... 208 mm	196 ... 220 mm	AVA8 - 090
209 ... 233 mm	221 ... 245 mm	AVA8 - 115
234 ... 258 mm	246 ... 270 mm	AVA8 - 140
259 ... 283 mm	271 ... 295 mm	AVA8 - 165
284 ... 308 mm	296 ... 320 mm	AVA8 - 190
309 ... 333 mm	321 ... 345 mm	AVA8 - 215
334 ... 358 mm	346 ... 370 mm	AVA8 - 240
359 ... 383 mm	371 ... 395 mm	AVA8 - 265
384 ... 408 mm	396 ... 420 mm	AVA8 - 290
409 ... 433 mm	421 ... 445 mm	AVA8 - 315
434 ... 458 mm	446 ... 470 mm	AVA8 - 340
459 ... 483 mm	471 ... 495 mm	AVA8 - 365
484 ... 508 mm	496 ... 520 mm	AVA8 - 390
509 ... 533 mm	521 ... 545 mm	AVA8 - 415
534 ... 558 mm	546 ... 570 mm	AVA8 - 440
559 ... 583 mm	571 ... 595 mm	AVA8 - 465
584 ... 608 mm	596 ... 620 mm	AVA8 - 490
609 ... 633 mm	621 ... 645 mm	AVA8 - 515
634 ... 658 mm	646 ... 670 mm	AVA8 - 540

# Base Mounting Switches

**sälzer**



**Product lines  
H400-A**

**Base mounting switch**

**Door interlock**

Metal shaft extension with fixed metal shaft, C = 115 mm

**Single hole mounting**

∅ 22,5 mm front

**312M1 (IP66)**

**312M4 (IP66)**

Complete switch	Poles	Product line	Rated data (IEC 60947)			Order code number
			Operational current I <sub>e</sub>	Operational power at 380–440 V		
			AC-21A A	AC-23A kW	AC-3 kW	
Main Switches OFF position padlockable 09h	3 ... 4	H400-A	63	22	18,5	<b>H406 - 41 ... - 312M1</b>
			80	30	22	<b>H408 - 41 ... - 312M1</b>
			100	37	30	<b>H410 - 41 ... - 312M1</b>
			125	45	37	<b>H412 - 41 ... - 312M1</b>
Main/Emergency-Off Switches OFF position padlockable 09h	3 ... 4	H400-A	63	22	18,5	<b>H406 - 41 ... - 312M4</b>
			80	30	22	<b>H408 - 41 ... - 312M4</b>
			100	37	30	<b>H410 - 41 ... - 312M4</b>
			125	45	37	<b>H412 - 41 ... - 312M4</b>

**SMD modules for basic switch A02**

Mounting form module for 312M.	H400-A	<b>BFA4 - 312 2GM1</b>
M-padlock device 67 x 67 mm, mounting form 312M1 Escutcheon black, padlockable handle black		<b>2GM4</b>
M-padlock device 67 x 67 mm, mounting form 312M4 Escutcheon yellow, padlockable handle red		<b>FAZ2 - 8041</b>
Additional top escutcheon plate		<b>TCA4</b>
Terminal cover, 3 pole	H400-A 1x	<b>TCB4</b>
Terminal cover, each additional single pole	H400-A 1x	

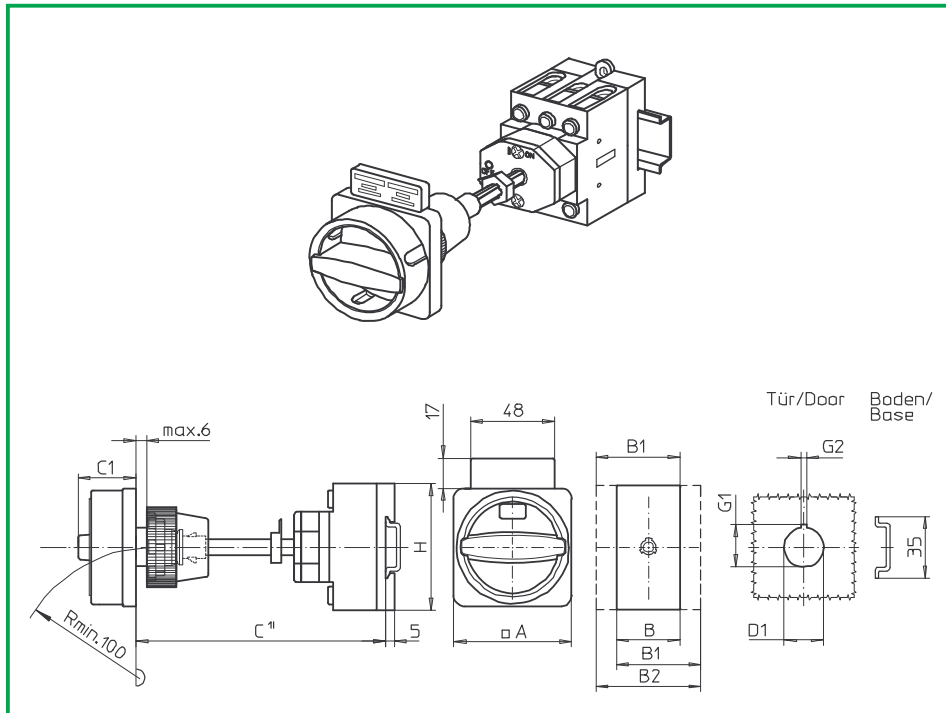
**Dimensions (mm)**

Product line	A	B	B1	B2	C	C1	D1	G1	G2	H
H400-A	67	70	89	108	115	38	22,5	24,2	3,2	80

C<sup>1)</sup> Internal depth, outside of door to top of DIN rail.

# Base Mounting Switches

**sälzer**



**Product lines  
H400-A**

**Base mounting switch**

**Door interlock**

Metal shaft extension with fixed metal shaft, C = 115 mm

**Single hole mounting**

ø 22,5 mm front

**312N1 (IP66)**

**312N4 (IP66)**

Complete switch	Poles	Product line	Rated data (IEC 60947)			Order code number
			Operational current I <sub>e</sub>	Operational power at 380–440 V		
			AC-21A A	AC-23A kW	AC-3 kW	
Main Switches OFF position padlockable 09h	3 ... 4	H400-A	63	22	18,5	<b>H406 - 41 ... - 312N1</b>
			80	30	22	<b>H408 - 41 ... - 312N1</b>
			100	37	30	<b>H410 - 41 ... - 312N1</b>
			125	45	37	<b>H412 - 41 ... - 312N1</b>
Main/Emergency-Off Switches OFF position padlockable 09h	3 ... 4	H400-A	63	22	18,5	<b>H406 - 41 ... - 312N4</b>
			80	30	22	<b>H408 - 41 ... - 312N4</b>
			100	37	30	<b>H410 - 41 ... - 312N4</b>
			125	45	37	<b>H412 - 41 ... - 312N4</b>

### SMD modules for basic switch A02

Mounting form module for 312N.	H400-A	<b>BFA4 - 312 2GN1</b>
N-padlock device 67 x 67 mm, mounting form 312N1 Escutcheon black, padlockable handle black		<b>2GN1</b>
N-padlock device 67 x 67 mm, mounting form 312N4 Escutcheon yellow, padlockable handle red		<b>2GN4</b>
Additional top escutcheon plate		<b>FAZ2 - 8041</b>
Terminal cover, 3 pole	H400-A 1x	<b>TCA4</b>
Terminal cover, each additional single pole	H400-A 1x	<b>TCB4</b>

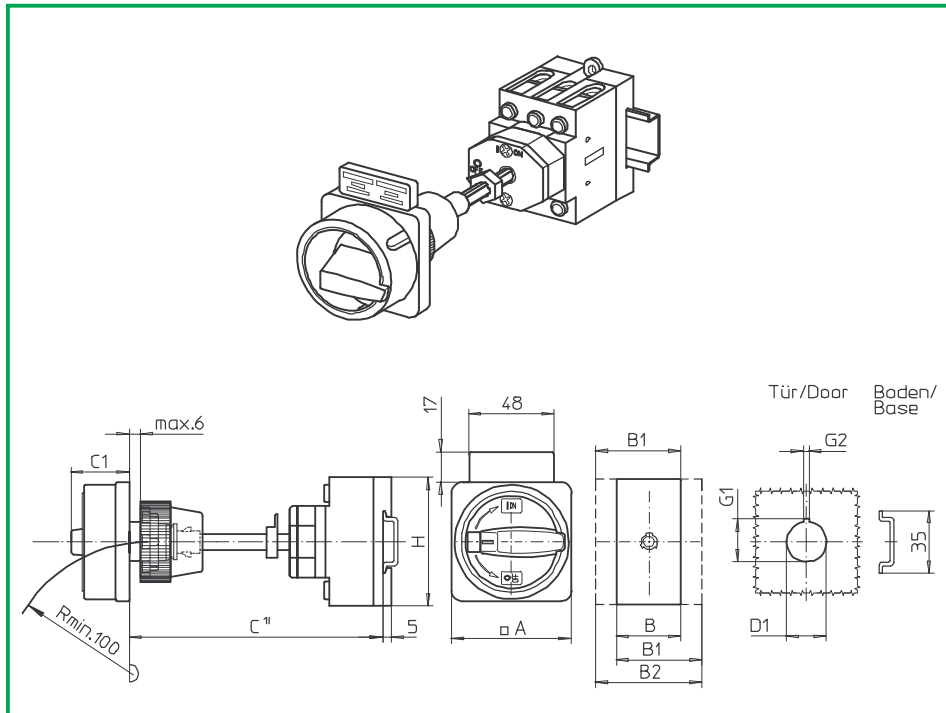
### Dimensions (mm)

Product line	A	B	B1	B2	C	C1	D1	G1	G2	H
H400-A	67	70	89	108	115	33	22,5	24,2	3,2	80

C<sup>1)</sup> Internal depth, outside of door to top of DIN rail.

# Base Mounting Switches

**sälzer**



**Product lines  
H400-A**

**Base mounting switch**

**Door interlock**

Metal shaft extension with fixed metal shaft, C = 120 mm

**Single hole mounting**

ø 22,5 mm front

**313M1 (IP66)**

**313M4 (IP66)**

Complete switch	Poles	Product line	Rated data (IEC 60947)			Order code number
			Operational current I <sub>e</sub>	Operational power at 380–440 V		
			AC-21A A	AC-23A kW	AC-3 kW	
Main Switches OFF position padlockable 09h	3 ... 4	H400-A	63	22	18,5	<b>H406 - 41 ... - 313M1</b>
			80	30	22	<b>H408 - 41 ... - 313M1</b>
			100	37	30	<b>H410 - 41 ... - 313M1</b>
			125	45	37	<b>H412 - 41 ... - 313M1</b>
Main/Emergency-Off Switches OFF position padlockable 09h	3 ... 4	H400-A	63	22	18,5	<b>H406 - 41 ... - 313M4</b>
			80	30	22	<b>H408 - 41 ... - 313M4</b>
			100	37	30	<b>H410 - 41 ... - 313M4</b>
			125	45	37	<b>H412 - 41 ... - 313M4</b>

## SMD modules for basic switch A02

Mounting form module for 313M.

H400-A

**BFA4 - 313**

M-padlock device 67 x 67 mm, mounting form 313M1  
Escutcheon black, padlockable handle black

**2GM1**

M-padlock device 67 x 67 mm, mounting form 313M4  
Escutcheon yellow, padlockable handle red

**2GM4**

Additional top escutcheon plate

**FAZ2 - 8041**

Terminal cover, 3 pole

H400-A 1x

**TCA4**

Terminal cover, each additional single pole

H400-A 1x

**TCB4**

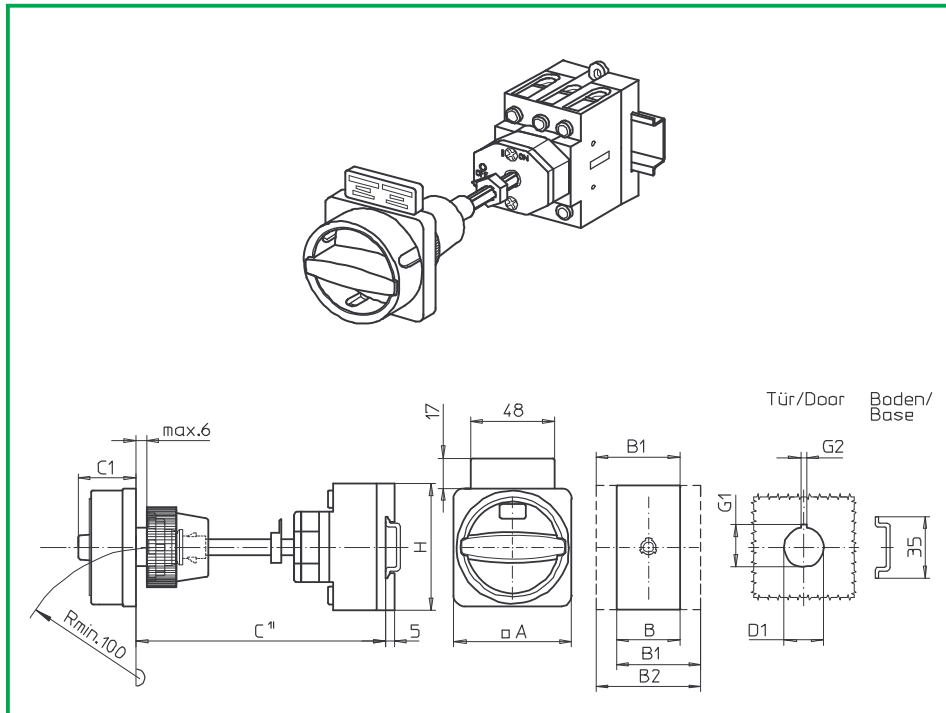
## Dimensions (mm)

Product line	A	B	B1	B2	C	C1	D1	G1	G2	H
H400-A	67	70	89	108	120	38	22,5	24,2	3,2	80

C<sup>1)</sup> Internal depth, outside of door to top of DIN rail.

# Base Mounting Switches

**sälzer**



**Product lines  
H400-A**

**Base mounting switch**

**Door interlock**

Metal shaft extension with fixed metal shaft, C = 120 mm

**Single hole mounting**

∅ 22,5 mm front

**313N1 (IP66)**

**313N4 (IP66)**

Complete switch	Poles	Product line	Rated data (IEC 60947)			Order code number
			Operational current I <sub>e</sub>	Operational power at 380–440 V		
			AC-21A A	AC-23A kW	AC-3 kW	
Main Switches OFF position padlockable 09h	3 ... 4	H400-A	63	22	18,5	<b>H406 - 41 ... - 313N1</b>
			80	30	22	<b>H408 - 41 ... - 313N1</b>
			100	37	30	<b>H410 - 41 ... - 313N1</b>
			125	45	37	<b>H412 - 41 ... - 313N1</b>
Main/Emergency-Off Switches OFF position padlockable 09h	3 ... 4	H400-A	63	22	18,5	<b>H406 - 41 ... - 313N4</b>
			80	30	22	<b>H408 - 41 ... - 313N4</b>
			100	37	30	<b>H410 - 41 ... - 313N4</b>
			125	45	37	<b>H412 - 41 ... - 313N4</b>

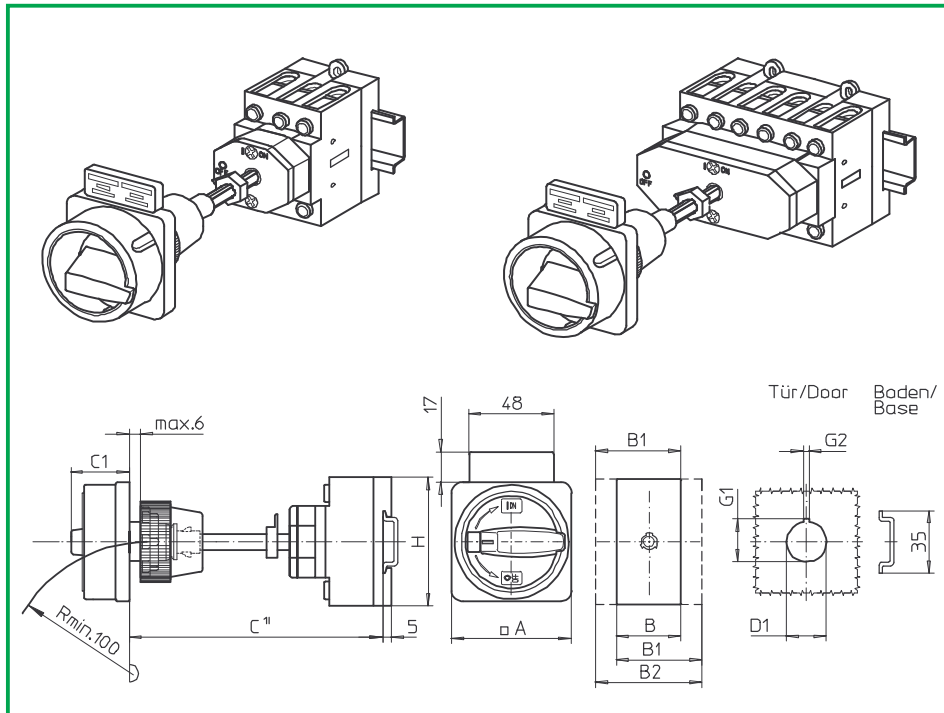
SMD modules for basic switch A02		
Mounting form module for 313N.	H400-A	<b>BFA4 - 313 2GN1</b>
N-padlock device 67 x 67 mm, mounting form 313N1 Escutcheon black, padlockable handle black		<b>2GN4</b>
N-padlock device 67 x 67 mm, mounting form 313N4 Escutcheon yellow, padlockable handle red		<b>FAZ2 - 8041</b>
Additional top escutcheon plate		<b>TCA4</b>
Terminal cover, 3 pole	H400-A 1x	<b>TCB4</b>
Terminal cover, each additional single pole	H400-A 1x	

Dimensions (mm)										
Product line	A	B	B1	B2	C	C1	D1	G1	G2	H
H400-A	67	70	89	108	120	33	22,5	24,2	3,2	80

C<sup>1)</sup> Internal depth, outside of door to top of DIN rail.

# Base Mounting Switches

**sälzer**



**Product lines**  
H400-A/ -D

**Base mounting switch**

**Door interlock**

Metal shaft extension with fixed metal shaft, C =125 mm

**Single hole mounting**

ø 22,5 mm front

**314M1 (IP66)**

**314M4 (IP66)**

Complete switch	Poles	Product line	Rated data (IEC 60947)			Order code number
			Operational current I <sub>e</sub>	Operational power at 380–440 V		
			AC-21A A	AC-23A kW	AC-3 kW	
Main Switches OFF position padlockable 09h	3 ... 8	H400-A/ -D	63	22	18,5	H406 - 41 ... - 314M1
			80	30	22	H408 - 41 ... - 314M1
			100	37	30	H410 - 41 ... - 314M1
			125	45	37	H412 - 41 ... - 314M1
Main/Emergency-Off Switches OFF position padlockable 09h	3 ... 8	H400-A/ -D	63	22	18,5	H406 - 41 ... - 314M4
			80	30	22	H408 - 41 ... - 314M4
			100	37	30	H410 - 41 ... - 314M4
			125	45	37	H412 - 41 ... - 314M4

## SMD modules for basic switch A02

Mounting form module for 314M.

H400-A  
H400-D

BFA4 - 314  
BFB4 - 314

M-padlock device 67 x 67 mm, mounting form 314M1  
Escutcheon black, padlockable handle black

2GM1

M-padlock device 67 x 67 mm, mounting form 314M4  
Escutcheon yellow, padlockable handle red

2GM4

Additional top escutcheon plate

FAZ2 - 8041

Terminal cover, 3 pole

H400-A 1x / -D 2x

TCA4

Terminal cover, each additional single pole

H400-A/ -D

TCB4

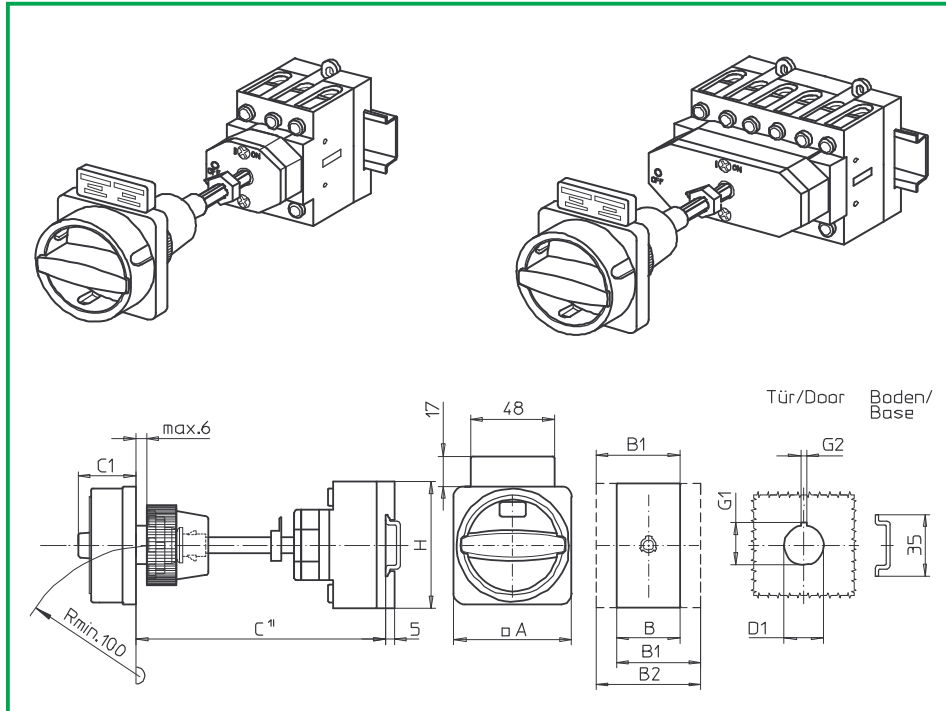
## Dimensions (mm)

Product lines	A	B	B1	B2	C	C1	D1	G1	G2	H
H400-A	67	70	89	108	125	38	22,5	24,2	3,2	80
H400-D	67	140	159	178	125	38	22,5	24,2	3,2	80

C<sup>1)</sup> Internal depth, outside of door to top of DIN rail.

# Base Mounting Switches

**sälzer**



**Product lines**  
H400-A/ -D

**Base mounting switch**

**Door interlock**

Metal shaft extension with fixed metal shaft, C = 125 mm

**Single hole mounting**

ø 22,5 mm front

**314N1 (IP66)**

**314N4 (IP66)**

Complete switch	Poles	Product line	Rated data (IEC 60947)			Order code number
			Operational current I <sub>e</sub>	Operational power at 380–440 V		
			AC-21A A	AC-23A kW	AC-3 kW	
Main Switches OFF position padlockable 09h	3 ... 8	H400-A/ -D	63	22	18,5	H406 - 41 ... - 314N1
			80	30	22	H408 - 41 ... - 314N1
			100	37	30	H410 - 41 ... - 314N1
			125	45	37	H412 - 41 ... - 314N1
Main/Emergency-Off Switches OFF position padlockable 09h	3 ... 8	H400-A/ -D	63	22	18,5	H406 - 41 ... - 314N4
			80	30	22	H408 - 41 ... - 314N4
			100	37	30	H410 - 41 ... - 314N4
			125	45	37	H412 - 41 ... - 314N4

## SMD modules for basic switch A02

Mounting form module for 314N.

H400-A  
H400-D

BFA4 - 314  
BFB4 - 314  
2GN1

N-padlock device 67 x 67 mm, mounting form 314N1  
Escutcheon black, padlockable handle black

2GN4

N-padlock device 67 x 67 mm, mounting form 314N4  
Escutcheon yellow, padlockable handle red

Additional top escutcheon plate

FAZ2 - 8041

Terminal cover, 3 pole

H400-A 1x / -D 2x  
H400-A/ -D

TCA4  
TCB4

Terminal cover, each additional single pole

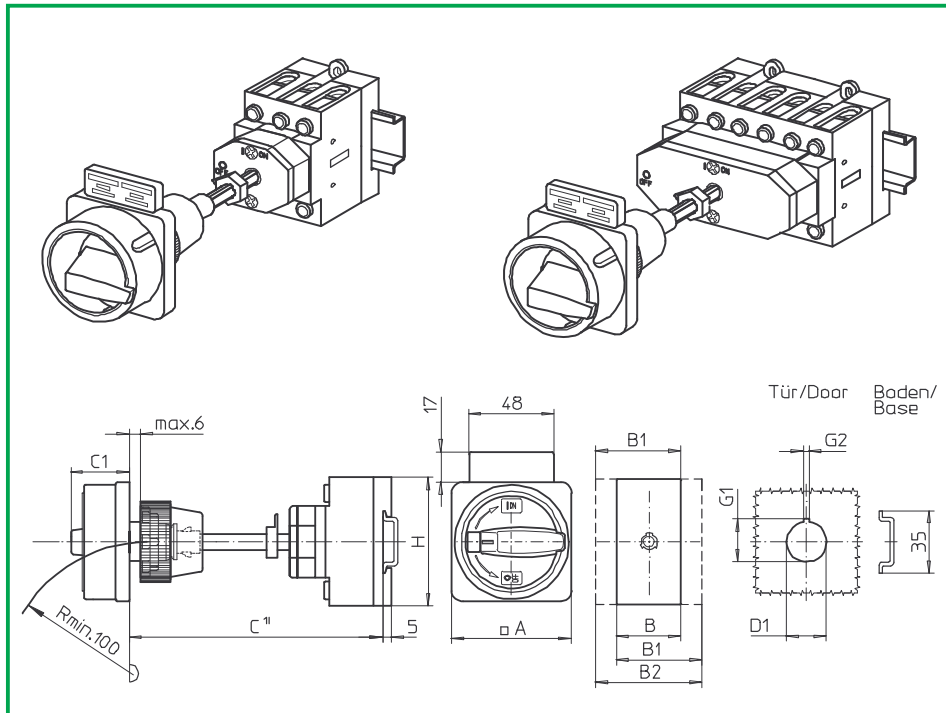
## Dimensions (mm)

Product lines	A	B	B1	B2	C	C1	D1	G1	G2	H
H400-A	67	70	89	108	125	33	22,5	24,2	3,2	80
H400-D	67	140	159	178	125	33	22,5	24,2	3,2	80

C<sup>1)</sup> Internal depth, outside of door to top of DIN rail.



# Base Mounting Switches



**Product lines**  
H400-A/ -D

**Base mounting switch**

**Door interlock**

Metal shaft extension with fixed metal shaft, C = 130 mm

**Single hole mounting**

∅ 22,5 mm front

**315M1 (IP66)**

**315M4 (IP66)**

Complete switch	Poles	Product line	Rated data (IEC 60947)			Order code number
			Operational current I <sub>e</sub>	Operational power at 380–440 V		
			AC-21A A	AC-23A kW	AC-3 kW	
Main Switches OFF position padlockable 09h	3 ... 8	H400-A/ -D	63	22	18,5	H406 - 41 ... - 315M1
			80	30	22	H408 - 41 ... - 315M1
			100	37	30	H410 - 41 ... - 315M1
			125	45	37	H412 - 41 ... - 315M1
Main/Emergency-Off Switches OFF position padlockable 09h	3 ... 8	H400-A/ -D	63	22	18,5	H406 - 41 ... - 315M4
			80	30	22	H408 - 41 ... - 315M4
			100	37	30	H410 - 41 ... - 315M4
			125	45	37	H412 - 41 ... - 315M4

## SMD modules for basic switch A02

Mounting form module for 315M.

H400-A  
H400-D

BFA4 - 315  
BFB4 - 315

M-padlock device 67 x 67 mm, mounting form 315M1  
Escutcheon black, padlockable handle black

2GM1

M-padlock device 67 x 67 mm, mounting form 315M4  
Escutcheon yellow, padlockable handle red

2GM4

Additional top escutcheon plate

FAZ2 - 8041

Terminal cover, 3 pole

H400-A 1x / -D 2x

TCA4

Terminal cover, each additional single pole

H400-A/ -D

TCB4

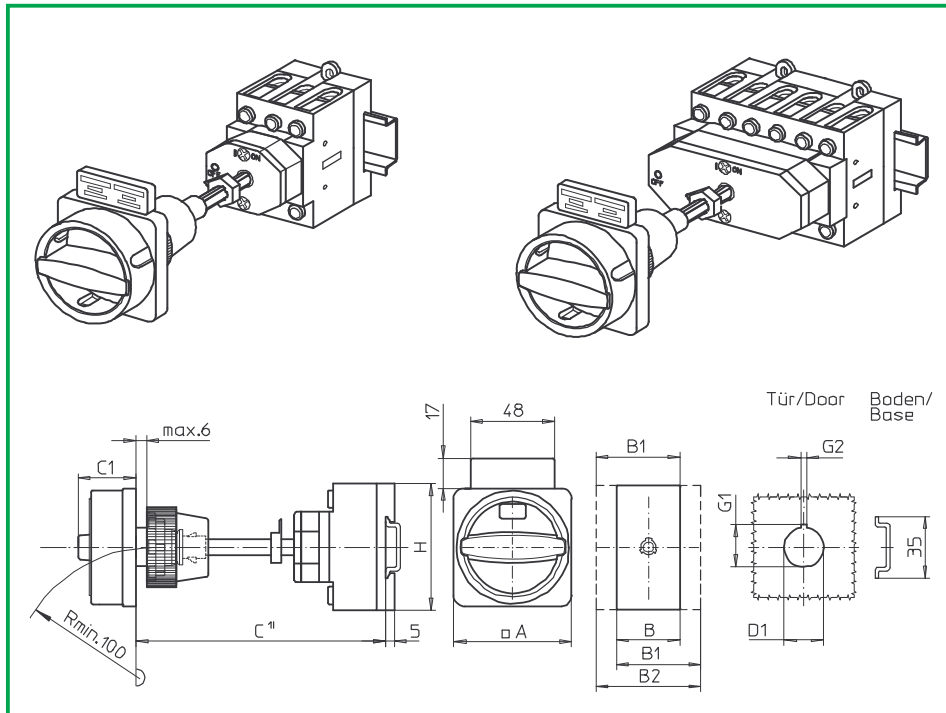
## Dimensions (mm)

Product lines	A	B	B1	B2	C	C1	D1	G1	G2	H
H400-A	67	70	89	108	130	38	22,5	24,2	3,2	80
H400-D	67	140	159	178	130	38	22,5	24,2	3,2	80

C<sup>1)</sup> Internal depth, outside of door to top of DIN rail.

# Base Mounting Switches

**sälzer**



**Product lines**  
H400-A/ -D

**Base mounting switch**

**Door interlock**

Metal shaft extension with fixed metal shaft, C = 130 mm

**Single hole mounting**

ø 22,5 mm front

**315N1 (IP66)**

**315N4 (IP66)**

Complete switch	Poles	Product line	Rated data (IEC 60947)			Order code number
			Operational current I <sub>e</sub>	Operational power at 380–440 V		
			AC-21A A	AC-23A kW	AC-3 kW	
Main Switches OFF position padlockable 09h	3 ... 8	H400-A/ -D	63	22	18,5	H406 - 41 ... - 315N1
			80	30	22	H408 - 41 ... - 315N1
			100	37	30	H410 - 41 ... - 315N1
			125	45	37	H412 - 41 ... - 315N1
Main/Emergency-Off Switches OFF position padlockable 09h	3 ... 8	H400-A/ -D	63	22	18,5	H406 - 41 ... - 315N4
			80	30	22	H408 - 41 ... - 315N4
			100	37	30	H410 - 41 ... - 315N4
			125	45	37	H412 - 41 ... - 315N4

## SMD modules for basic switch A02

Mounting form module for 315N.

H400-A  
H400-D

BFA4 - 315  
BFB4 - 315

N-padlock device 67 x 67 mm, mounting form 315N1  
Escutcheon black, padlockable handle black

2GN1

N-padlock device 67 x 67 mm, mounting form 315N4  
Escutcheon yellow, padlockable handle red

2GN4

Additional top escutcheon plate

FAZ2 - 8041

Terminal cover, 3 pole

H400-A 1x / -D 2x

TCA4

Terminal cover, each additional single pole

H400-A/ -D

TCB4

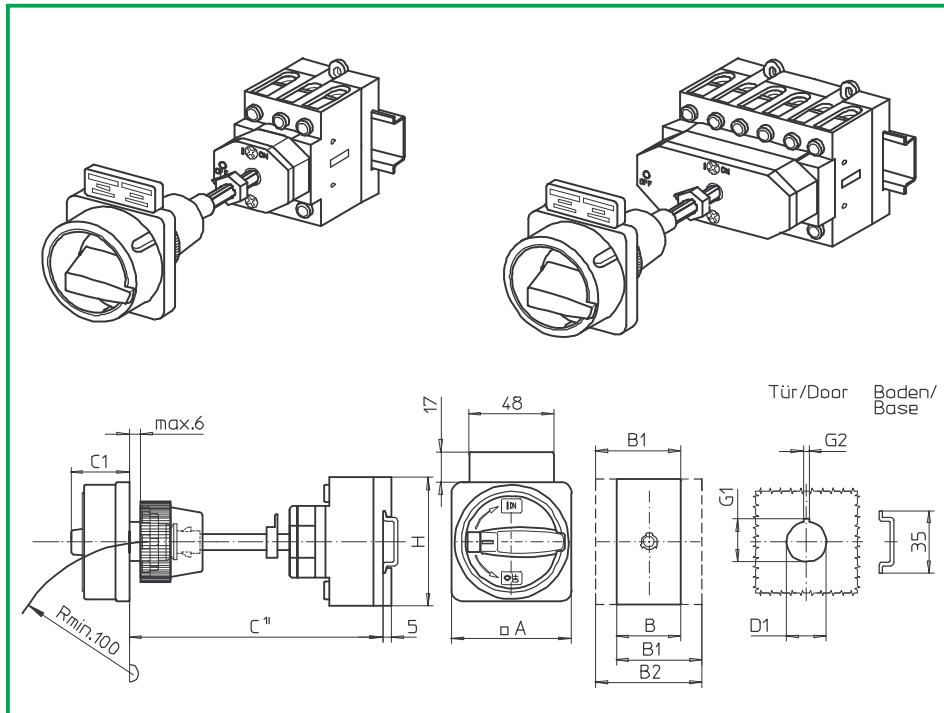
## Dimensions (mm)

Product lines	A	B	B1	B2	C	C1	D1	G1	G2	H
H400-A	67	70	89	108	130	33	22,5	24,2	3,2	80
H400-D	67	140	159	178	130	33	22,5	24,2	3,2	80

C<sup>1)</sup> Internal depth, outside of door to top of DIN rail.

# Base Mounting Switches

**sälzer**



**Product lines**  
H400-A/ -D

**Base mounting switch**

**Door interlock**

Metal shaft extension with fixed metal shaft, C = 135 mm

**Single hole mounting**

ø 22,5 mm front

**316M1 (IP66)**

**316M4 (IP66)**

Complete switch	Poles	Product line	Rated data (IEC 60947)			Order code number
			Operational current I <sub>e</sub>	Operational power at 380–440 V		
			AC-21A A	AC-23A kW	AC-3 kW	
Main Switches OFF position padlockable 09h	3 ... 8	H400-A/ -D	63	22	18,5	H406 - 41 ... - 316M1
			80	30	22	H408 - 41 ... - 316M1
			100	37	30	H410 - 41 ... - 316M1
			125	45	37	H412 - 41 ... - 316M1
Main/Emergency-Off Switches OFF position padlockable 09h	3 ... 8	H400-A/ -D	63	22	18,5	H406 - 41 ... - 316M4
			80	30	22	H408 - 41 ... - 316M4
			100	37	30	H410 - 41 ... - 316M4
			125	45	37	H412 - 41 ... - 316M4

## SMD modules for basic switch A02

Mounting form module for 316M.

H400-A  
H400-D

BFA4 - 316  
BFB4 - 316

M-padlock device 67 x 67 mm, mounting form 316M1  
Escutcheon black, padlockable handle black

2GM1

M-padlock device 67 x 67 mm, mounting form 316M4  
Escutcheon yellow, padlockable handle red

2GM4

Additional top escutcheon plate

FAZ2 - 8041

Terminal cover, 3 pole

H400-A 1x / -D 2x

TCA4

Terminal cover, each additional single pole

H400-A/ -D

TCB4

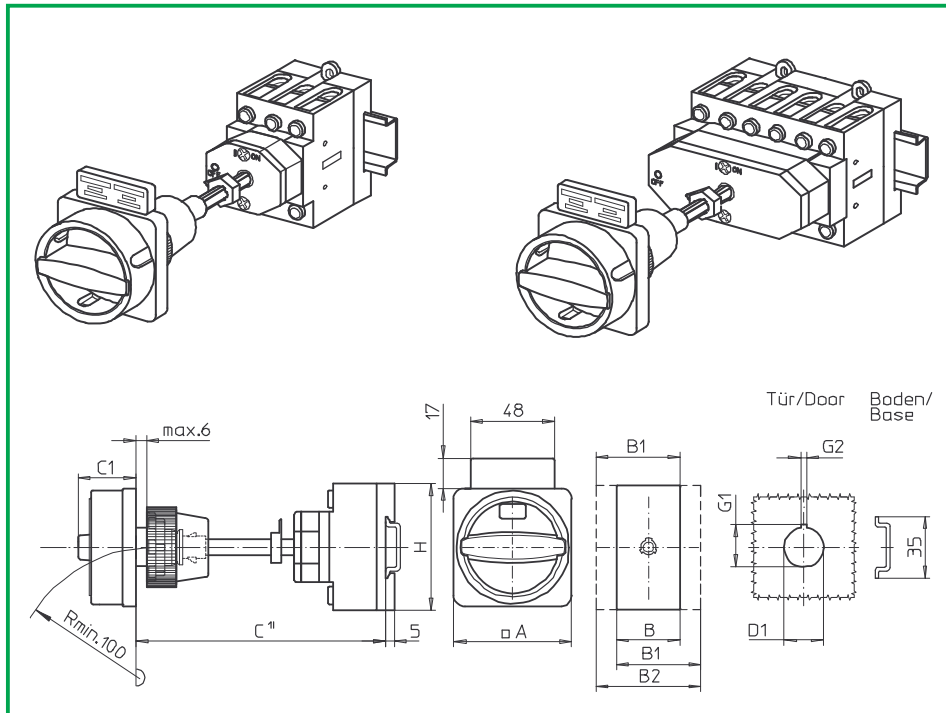
## Dimensions (mm)

Product lines	A	B	B1	B2	C	C1	D1	G1	G2	H
H400-A	67	70	89	108	135	38	22,5	24,2	3,2	80
H400-D	67	140	159	178	135	38	22,5	24,2	3,2	80

C<sup>1)</sup> Internal depth, outside of door to top of DIN rail.

# Base Mounting Switches

**sälzer**



**Product lines**  
H400-A/ -D

**Base mounting switch**

**Door interlock**

Metal shaft extension with fixed metal shaft, C = 135 mm

**Single hole mounting**

ø 22,5 mm front

**316N1 (IP66)**

**316N4 (IP66)**

Complete switch	Poles	Product line	Rated data (IEC 60947)			Order code number
			Operational current I <sub>e</sub>	Operational power at 380–440 V		
			AC-21A A	AC-23A kW	AC-3 kW	
Main Switches OFF position padlockable 09h	3 ... 8	H400-A/ -D	63	22	18,5	<b>H406 - 41 ... - 316N1</b>
			80	30	22	<b>H408 - 41 ... - 316N1</b>
			100	37	30	<b>H410 - 41 ... - 316N1</b>
			125	45	37	<b>H412 - 41 ... - 316N1</b>
Main/Emergency-Off Switches OFF position padlockable 09h	3 ... 8	H400-A/ -D	63	22	18,5	<b>H406 - 41 ... - 316N4</b>
			80	30	22	<b>H408 - 41 ... - 316N4</b>
			100	37	30	<b>H410 - 41 ... - 316N4</b>
			125	45	37	<b>H412 - 41 ... - 316N4</b>

## SMD modules for basic switch A02

Mounting form module for 316N.

H400-A  
H400-D

**BFA4 - 316**  
**BFB4 - 316**

N-padlock device 67 x 67 mm, mounting form 316N1  
Escutcheon black, padlockable handle black

**2GN1**

N-padlock device 67 x 67 mm, mounting form 316N4  
Escutcheon yellow, padlockable handle red

**2GN4**

Additional top escutcheon plate

**FAZ2 - 8041**

Terminal cover, 3 pole

H400-A 1x / -D 2x

**TCA4**

Terminal cover, each additional single pole

H400-A/ -D

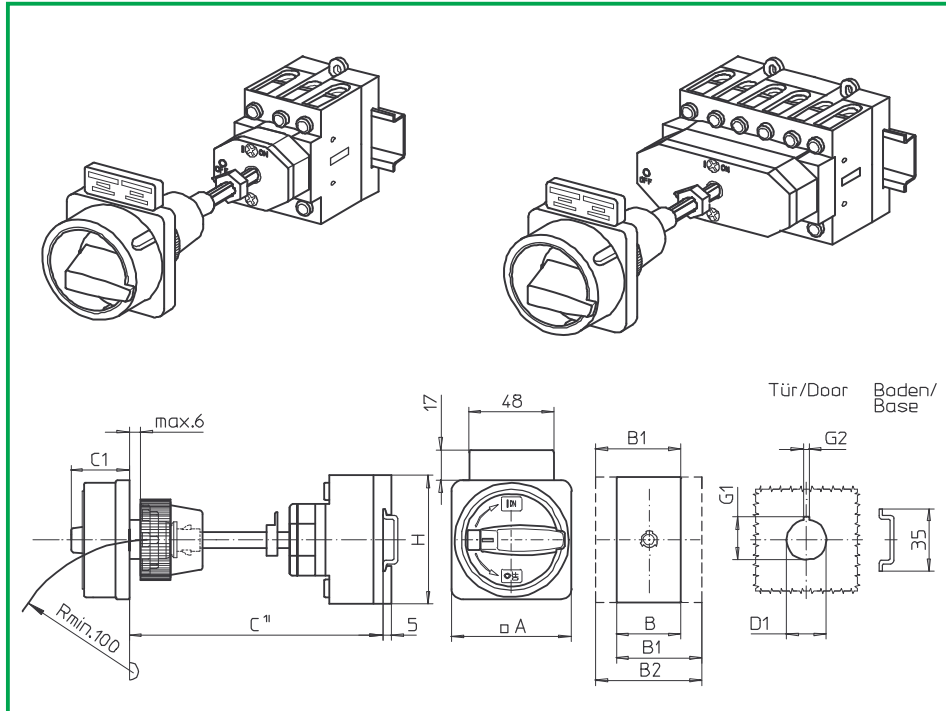
**TCB4**

## Dimensions (mm)

Product lines	A	B	B1	B2	C	C1	D1	G1	G2	H
H400-A	67	70	89	108	135	33	22,5	24,2	3,2	80
H400-D	67	140	159	178	135	33	22,5	24,2	3,2	80

C<sup>1)</sup> Internal depth, outside of door to top of DIN rail.

# Base Mounting Switches



**Product lines**  
H400-A/ -D

**Base mounting switch**

**Door interlock**

Metal shaft extension with fixed metal shaft, C = 140 mm

**Single hole mounting**

∅ 22,5 mm front

**317M1 (IP66)**

**317M4 (IP66)**

Complete switch	Poles	Product line	Rated data (IEC 60947)			Order code number
			Operational current I <sub>e</sub>	Operational power at 380–440 V		
			AC-21A A	AC-23A kW	AC-3 kW	
Main Switches OFF position padlockable 09h	3 ... 8	H400-A/ -D	63	22	18,5	H406 - 41 ... - 317M1
			80	30	22	H408 - 41 ... - 317M1
			100	37	30	H410 - 41 ... - 317M1
			125	45	37	H412 - 41 ... - 317M1
Main/Emergency-Off Switches OFF position padlockable 09h	3 ... 8	H400-A/ -D	63	22	18,5	H406 - 41 ... - 317M4
			80	30	22	H408 - 41 ... - 317M4
			100	37	30	H410 - 41 ... - 317M4
			125	45	37	H412 - 41 ... - 317M4

## SMD modules for basic switch A02

Mounting form module for 317M.

H400-A  
H400-D

BFA4 - 317  
BFB4 - 317

M-padlock device 67 x 67 mm, mounting form 317M1  
Escutcheon black, padlockable handle black

2GM1

M-padlock device 67 x 67 mm, mounting form 317M4  
Escutcheon yellow, padlockable handle red

2GM4

Additional top escutcheon plate

FAZ2 - 8041

Terminal cover, 3 pole

H400-A 1x / -D 2x

TCA4

Terminal cover, each additional single pole

H400-A/ -D

TCB4

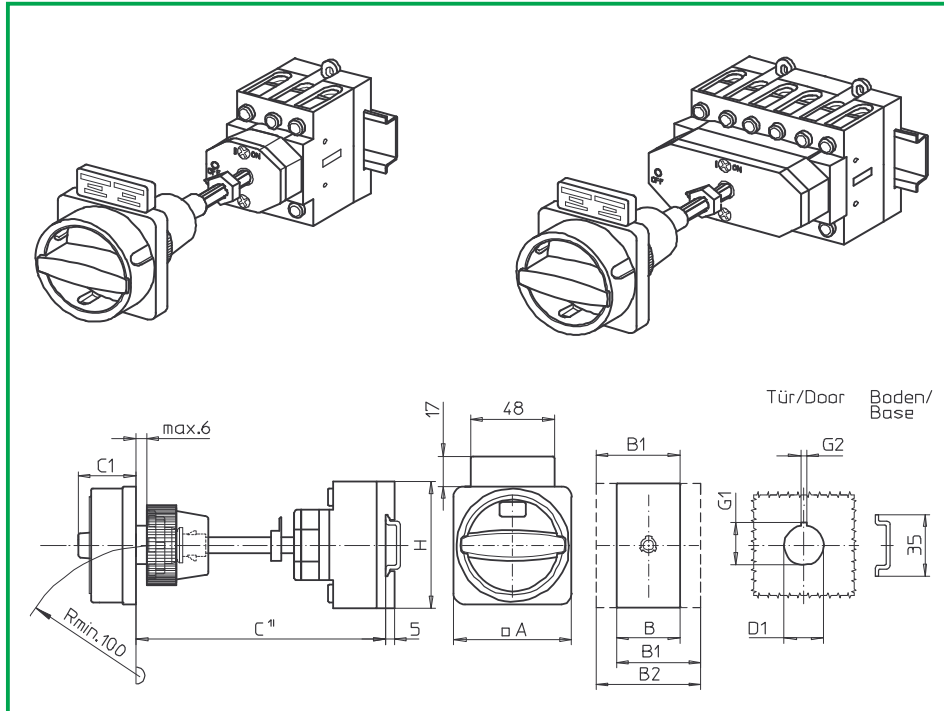
## Dimensions (mm)

Product lines	A	B	B1	B2	C	C1	D1	G1	G2	H
H400-A	67	70	89	108	140	38	22,5	24,2	3,2	80
H400-D	67	140	159	178	140	38	22,5	24,2	3,2	80

C<sup>1)</sup> Internal depth, outside of door to top of DIN rail.

# Base Mounting Switches

**sälzer**



**Product lines**  
H400-A/ -D

**Base mounting switch**

**Door interlock**

Metal shaft extension with fixed metal shaft, C = 140 mm

**Single hole mounting**

ø 22,5 mm front

**317N1 (IP66)**

**317N4 (IP66)**

Complete switch	Poles	Product line	Rated data (IEC 60947)			Order code number
			Operational current I <sub>e</sub>	Operational power at 380–440 V		
			AC-21A A	AC-23A kW	AC-3 kW	
Main Switches OFF position padlockable 09h	3 ... 8	H400-A/ -D	63	22	18,5	H406 - 41 ... - 317N1
			80	30	22	H408 - 41 ... - 317N1
			100	37	30	H410 - 41 ... - 317N1
			125	45	37	H412 - 41 ... - 317N1
Main/Emergency-Off Switches OFF position padlockable 09h	3 ... 8	H400-A/ -D	63	22	18,5	H406 - 41 ... - 317N4
			80	30	22	H408 - 41 ... - 317N4
			100	37	30	H410 - 41 ... - 317N4
			125	45	37	H412 - 41 ... - 317N4

## SMD modules for basic switch A02

Mounting form module for 317N.

H400-A  
H400-D

BFA4 - 317  
BFB4 - 317

N-padlock device 67 x 67 mm, mounting form 317N1  
Escutcheon black, padlockable handle black

2GN1

N-padlock device 67 x 67 mm, mounting form 317N4  
Escutcheon yellow, padlockable handle red

2GN4

Additional top escutcheon plate

FAZ2 - 8041

Terminal cover, 3 pole

H400-A 1x / -D 2x

TCA4

Terminal cover, each additional single pole

H400-A/ -D

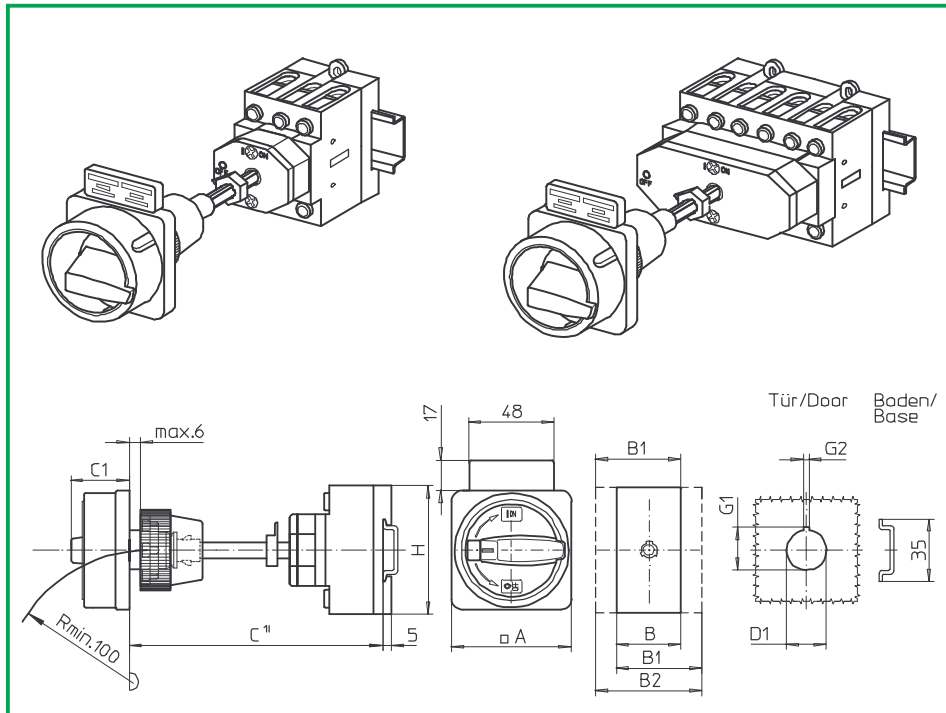
TCB4

## Dimensions (mm)

Product lines	A	B	B1	B2	C	C1	D1	G1	G2	H
H400-A	67	70	89	108	140	33	22,5	24,2	3,2	80
H400-D	67	140	159	178	140	33	22,5	24,2	3,2	80

C<sup>1)</sup> Internal depth, outside of door to top of DIN rail.

# Base Mounting Switches



**Product lines**  
H400-A/ -D

**Base mounting switch**

**Door interlock**

Metal shaft extension with fixed metal shaft, C =145 mm

**Single hole mounting**

∅ 22,5 mm front

**318M1 (IP66)**

**318M4 (IP66)**

Complete switch	Poles	Product line	Rated data (IEC 60947)			Order code number
			Operational current I <sub>e</sub>	Operational power at 380–440 V		
			AC-21A A	AC-23A kW	AC-3 kW	
Main Switches OFF position padlockable 09h	3 ... 8	H400-A/ -D	63	22	18,5	H406 - 41 ... - 318M1
			80	30	22	H408 - 41 ... - 318M1
			100	37	30	H410 - 41 ... - 318M1
			125	45	37	H412 - 41 ... - 318M1
Main/Emergency-Off Switches OFF position padlockable 09h	3 ... 8	H400-A/ -D	63	22	18,5	H406 - 41 ... - 318M4
			80	30	22	H408 - 41 ... - 318M4
			100	37	30	H410 - 41 ... - 318M4
			125	45	37	H412 - 41 ... - 318M4

## SMD modules for basic switch A02

Mounting form module for 318M.

H400-A  
H400-D

BFA4 - 318  
BFB4 - 318

M-padlock device 67 x 67 mm, mounting form 318M1  
Escutcheon black, padlockable handle black

2GM1

M-padlock device 67 x 67 mm, mounting form 318M4  
Escutcheon yellow, padlockable handle red

2GM4

Additional top escutcheon plate

FAZ2 - 8041

Terminal cover, 3 pole

H400-A 1x / -D 2x

TCA4

Terminal cover, each additional single pole

H400-A/ -D

TCB4

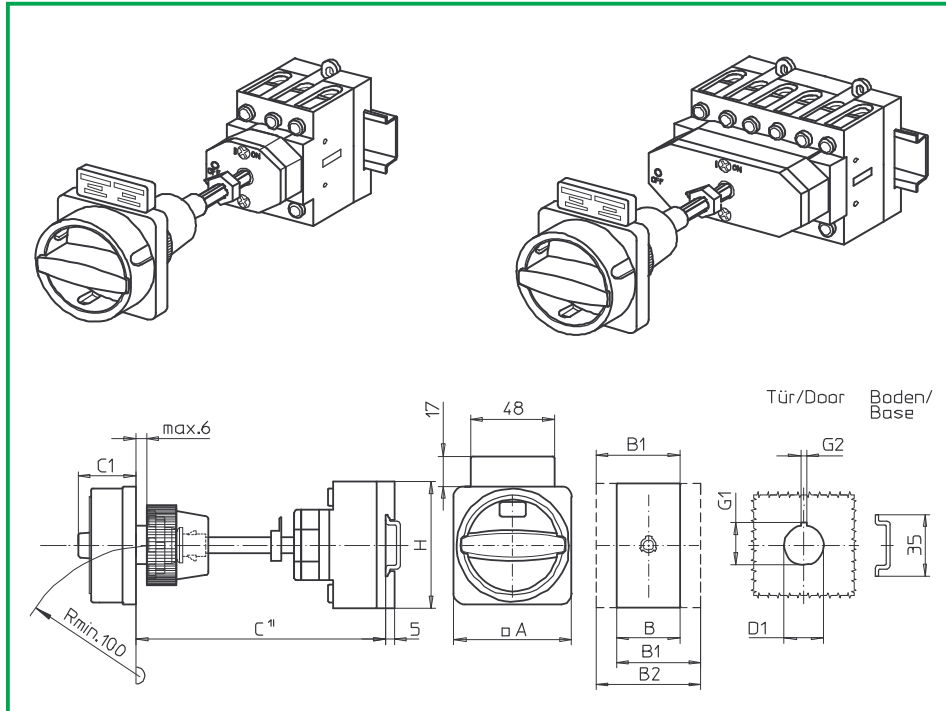
## Dimensions (mm)

Product lines	A	B	B1	B2	C	C1	D1	G1	G2	H
H400-A	67	70	89	108	145	38	22,5	24,2	3,2	80
H400-D	67	140	159	178	145	38	22,5	24,2	3,2	80

C<sup>1)</sup> Internal depth, outside of door to top of DIN rail.

# Base Mounting Switches

**sälzer**



**Product lines**  
H400-A/ -D

**Base mounting switch**

**Door interlock**

Metal shaft extension with fixed metal shaft, C =145 mm

**Single hole mounting**

ø 22,5 mm front

**318N1 (IP66)**

**318N4 (IP66)**

Complete switch	Poles	Product line	Rated data (IEC 60947)			Order code number
			Operational current I <sub>e</sub>	Operational power at 380–440 V		
			AC-21A A	AC-23A kW	AC-3 kW	
Main Switches OFF position padlockable 09h	3 ... 8	H400-A/ -D	63	22	18,5	H406 - 41 ... - 318N1
			80	30	22	H408 - 41 ... - 318N1
			100	37	30	H410 - 41 ... - 318N1
			125	45	37	H412 - 41 ... - 318N1
Main/Emergency-Off Switches OFF position padlockable 09h	3 ... 8	H400-A/ -D	63	22	18,5	H406 - 41 ... - 318N4
			80	30	22	H408 - 41 ... - 318N4
			100	37	30	H410 - 41 ... - 318N4
			125	45	37	H412 - 41 ... - 318N4

## SMD modules for basic switch A02

Mounting form module for 318N.

H400-A  
H400-D

BFA4 - 318  
BFB4 - 318

N-padlock device 67 x 67 mm, mounting form 318N1  
Escutcheon black, padlockable handle black

2GN1

N-padlock device 67 x 67 mm, mounting form 318N4  
Escutcheon yellow, padlockable handle red

2GN4

Additional top escutcheon plate

FAZ2 - 8041

Terminal cover, 3 pole

H400-A 1x / -D 2x

TCA4

Terminal cover, each additional single pole

H400-A/ -D

TCB4

## Dimensions (mm)

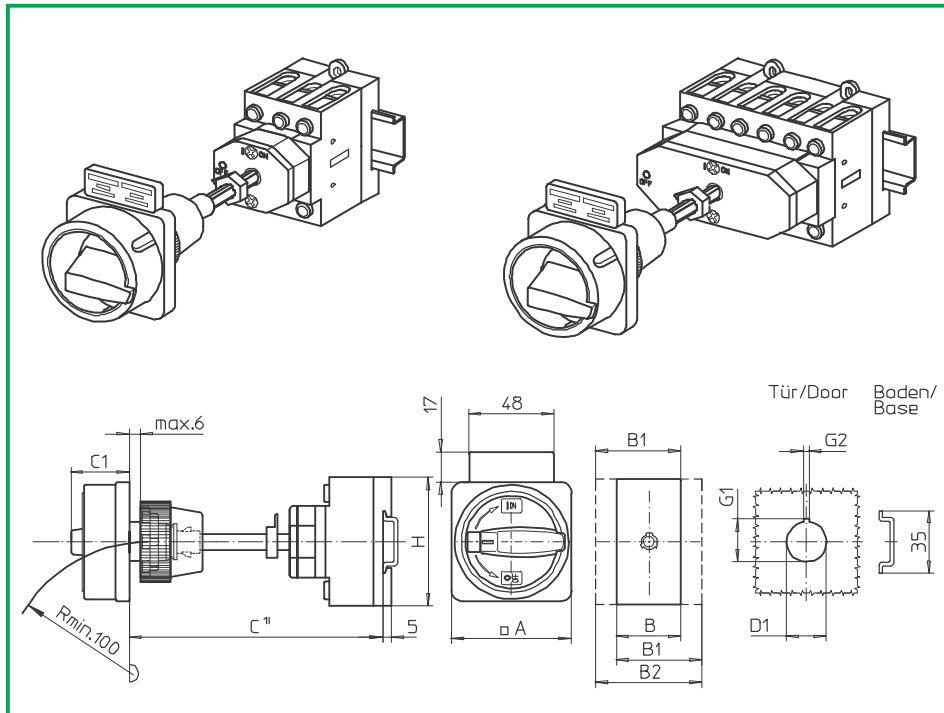
Product lines	A	B	B1	B2	C	C1	D1	G1	G2	H
H400-A	67	70	89	108	145	33	22,5	24,2	3,2	80
H400-D	67	140	159	178	145	33	22,5	24,2	3,2	80

C<sup>1)</sup> Internal depth, outside of door to top of DIN rail.



# Base Mounting Switches

**sälzer**



**Product lines**  
H400-A/ -D

**Base mounting switch**

**Door interlock**

Metal shaft extension with fixed metal shaft, C = 150 mm

**Single hole mounting**

ø 22,5 mm front

**319M1 (IP66)**

**319M4 (IP66)**

Complete switch	Poles	Product line	Rated data (IEC 60947)			Order code number
			Operational current I <sub>e</sub>	Operational power at 380–440 V		
			AC-21A A	AC-23A kW	AC-3 kW	
Main Switches OFF position padlockable 09h	3 ... 8	H400-A/ -D	63	22	18,5	H406 - 41 ... - 319M1
			80	30	22	H408 - 41 ... - 319M1
			100	37	30	H410 - 41 ... - 319M1
			125	45	37	H412 - 41 ... - 319M1
Main/Emergency-Off Switches OFF position padlockable 09h	3 ... 8	H400-A/ -D	63	22	18,5	H406 - 41 ... - 319M4
			80	30	22	H408 - 41 ... - 319M4
			100	37	30	H410 - 41 ... - 319M4
			125	45	37	H412 - 41 ... - 319M4

## SMD modules for basic switch A02

Mounting form module for 319M.

H400-A  
H400-D

BFA4 - 319  
BFB4 - 319

M-padlock device 67 x 67 mm, mounting form 319M1  
Escutcheon black, padlockable handle black

2GM1

M-padlock device 67 x 67 mm, mounting form 319M4  
Escutcheon yellow, padlockable handle red

2GM4

Additional top escutcheon plate

FAZ2 - 8041

Terminal cover, 3 pole

H400-A 1x / -D 2x

TCA4

Terminal cover, each additional single pole

H400-A/ -D

TCB4

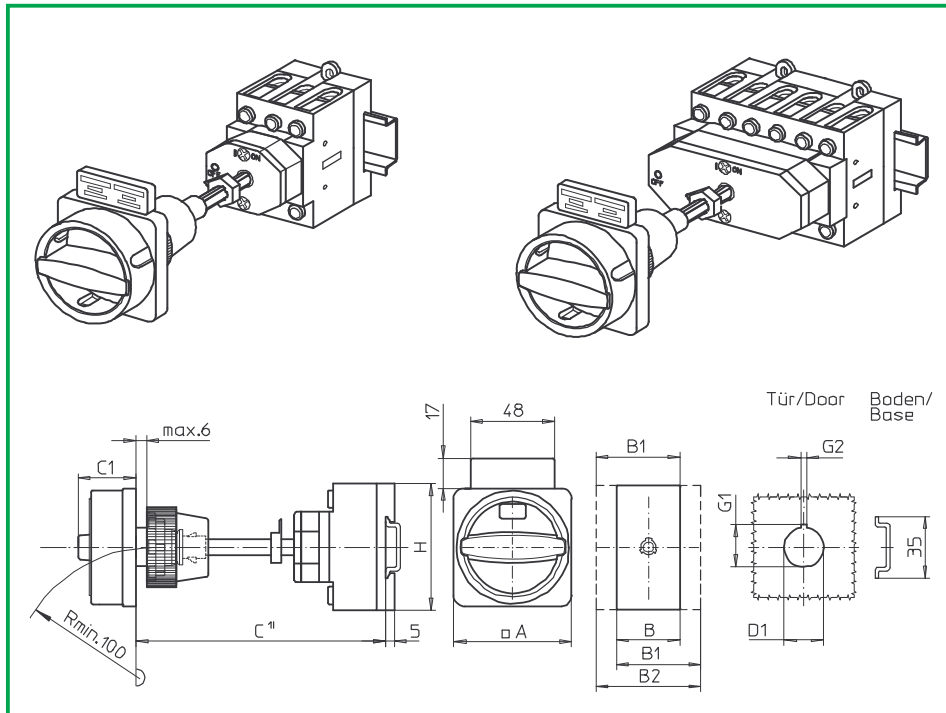
## Dimensions (mm)

Product lines	A	B	B1	B2	C	C1	D1	G1	G2	H
H400-A	67	70	89	108	150	38	22,5	24,2	3,2	80
H400-D	67	140	159	178	150	38	22,5	24,2	3,2	80

C<sup>1)</sup> Internal depth, outside of door to top of DIN rail.

# Base Mounting Switches

**sälzer**



**Product lines**  
H400-A/ -D

**Base mounting switch**

**Door interlock**

Metal shaft extension with fixed metal shaft, C = 150 mm

**Single hole mounting**

ø 22,5 mm front

**319N1 (IP66)**

**319N4 (IP66)**

Complete switch	Poles	Product line	Rated data (IEC 60947)			Order code number
			Operational current I <sub>e</sub>	Operational power at 380–440 V		
			AC-21A A	AC-23A kW	AC-3 kW	
Main Switches OFF position padlockable 09h	3 ... 8	H400-A/ -D	63	22	18,5	H406 - 41 ... - 319N1
			80	30	22	H408 - 41 ... - 319N1
			100	37	30	H410 - 41 ... - 319N1
			125	45	37	H412 - 41 ... - 319N1
Main/Emergency-Off Switches OFF position padlockable 09h	3 ... 8	H400-A/ -D	63	22	18,5	H406 - 41 ... - 319N4
			80	30	22	H408 - 41 ... - 319N4
			100	37	30	H410 - 41 ... - 319N4
			125	45	37	H412 - 41 ... - 319N4

## SMD modules for basic switch A02

Mounting form module for 319N.

H400-A  
H400-D

BFA4 - 319  
BFB4 - 319

N-padlock device 67 x 67 mm, mounting form 319N1  
Escutcheon black, padlockable handle black

2GN1

N-padlock device 67 x 67 mm, mounting form 319N4  
Escutcheon yellow, padlockable handle red

2GN4

Additional top escutcheon plate

FAZ2 - 8041

Terminal cover, 3 pole

H400-A 1x / -D 2x

TCA4

Terminal cover, each additional single pole

H400-A/ -D

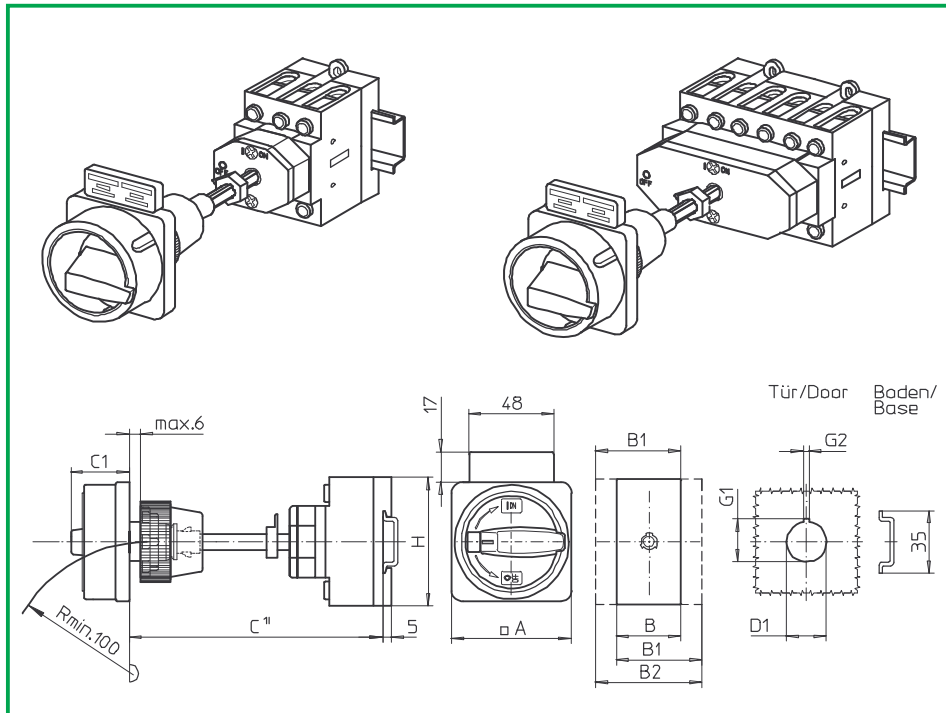
TCB4

## Dimensions (mm)

Product lines	A	B	B1	B2	C	C1	D1	G1	G2	H
H400-A	67	70	89	108	150	33	22,5	24,2	3,2	80
H400-D	67	140	159	178	150	33	22,5	24,2	3,2	80

C<sup>1)</sup> Internal depth, outside of door to top of DIN rail.

# Base Mounting Switches



**Product lines**  
H400-A/ -D

**Base mounting switch**

**Door interlock**

Metal shaft extension with fixed metal shaft, C = 155 mm

**Single hole mounting**

ø 22,5 mm front

**320M1 (IP66)**

**320M4 (IP66)**

Complete switch	Poles	Product line	Rated data (IEC 60947)			Order code number
			Operational current I <sub>e</sub>	Operational power at 380–440 V		
			AC-21A A	AC-23A kW	AC-3 kW	
Main Switches OFF position padlockable 09h	3 ... 8	H400-A/ -D	63	22	18,5	H406 - 41 ... - 320M1
			80	30	22	H408 - 41 ... - 320M1
			100	37	30	H410 - 41 ... - 320M1
			125	45	37	H412 - 41 ... - 320M1
Main/Emergency-Off Switches OFF position padlockable 09h	3 ... 8	H400-A/ -D	63	22	18,5	H406 - 41 ... - 320M4
			80	30	22	H408 - 41 ... - 320M4
			100	37	30	H410 - 41 ... - 320M4
			125	45	37	H412 - 41 ... - 320M4

## SMD modules for basic switch A02

Mounting form module for 320M.

H400-A  
H400-D

BFA4 - 320  
BFB4 - 320

M-padlock device 67 x 67 mm, mounting form 320M1  
Escutcheon black, padlockable handle black

2GM1

M-padlock device 67 x 67 mm, mounting form 320M4  
Escutcheon yellow, padlockable handle red

2GM4

Additional top escutcheon plate

FAZ2 - 8041

Terminal cover, 3 pole

H400-A 1x / -D 2x

TCA4

Terminal cover, each additional single pole

H400-A/ -D

TCB4

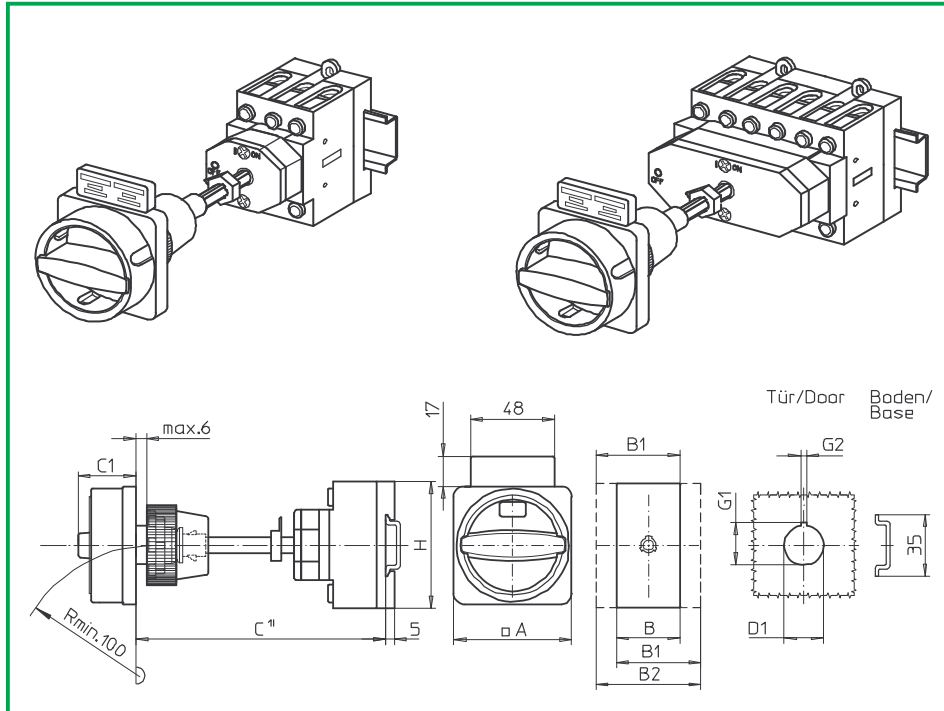
## Dimensions (mm)

Product lines	A	B	B1	B2	C	C1	D1	G1	G2	H
H400-A	67	70	89	108	155	38	22,5	24,2	3,2	80
H400-D	67	140	159	178	155	38	22,5	24,2	3,2	80

C<sup>1)</sup> Internal depth, outside of door to top of DIN rail.

# Base Mounting Switches

**sälzer**



**Product lines**  
H400-A/ -D

**Base mounting switch**

**Door interlock**

Metal shaft extension with fixed metal shaft, C =155 mm

**Single hole mounting**

ø 22,5 mm front

**320N1 (IP66)**

**320N4 (IP66)**

Complete switch	Poles	Product line	Rated data (IEC 60947)			Order code number
			Operational current I <sub>e</sub>	Operational power at 380–440 V		
			AC-21A A	AC-23A kW	AC-3 kW	
Main Switches OFF position padlockable 09h	3 ... 8	H400-A/ -D	63	22	18,5	H406 - 41 ... - 320N1
			80	30	22	H408 - 41 ... - 320N1
			100	37	30	H410 - 41 ... - 320N1
			125	45	37	H412 - 41 ... - 320N1
Main/Emergency-Off Switches OFF position padlockable 09h	3 ... 8	H400-A/ -D	63	22	18,5	H406 - 41 ... - 320N4
			80	30	22	H408 - 41 ... - 320N4
			100	37	30	H410 - 41 ... - 320N4
			125	45	37	H412 - 41 ... - 320N4

## SMD modules for basic switch A02

Mounting form module for 320N.

H400-A  
H400-D

BFA4 - 320  
BFB4 - 320

N-padlock device 67 x 67 mm, mounting form 320N1  
Escutcheon black, padlockable handle black

2GN1

N-padlock device 67 x 67 mm, mounting form 320N4  
Escutcheon yellow, padlockable handle red

2GN4

Additional top escutcheon plate

FAZ2 - 8041

Terminal cover, 3 pole

H400-A 1x / -D 2x

TCA4

Terminal cover, each additional single pole

H400-A/ -D

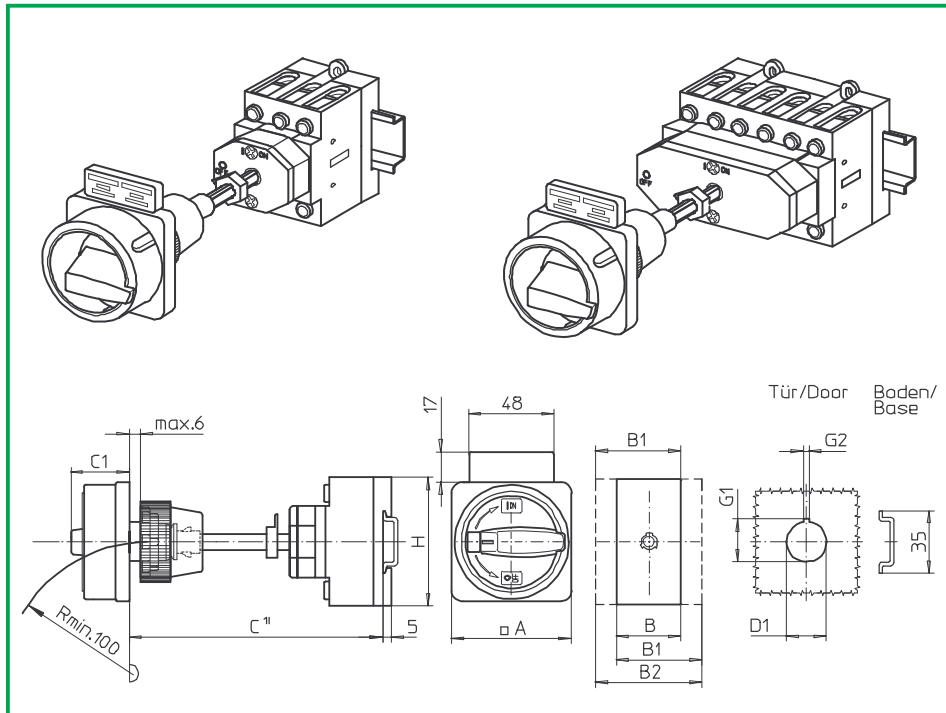
TCB4

## Dimensions (mm)

Product lines	A	B	B1	B2	C	C1	D1	G1	G2	H
H400-A	67	70	89	108	155	33	22,5	24,2	3,2	80
H400-D	67	140	159	178	155	33	22,5	24,2	3,2	80

C<sup>1)</sup> Internal depth, outside of door to top of DIN rail.

# Base Mounting Switches



**Product lines**  
H400-A/ -D

**Base mounting switch**

**Door interlock**

Metal shaft extension with fixed metal shaft, C = 160 mm

**Single hole mounting**

ø 22,5 mm front

**321M1 (IP66)**

**321M4 (IP66)**

Complete switch	Poles	Product line	Rated data (IEC 60947)			Order code number
			Operational current I <sub>e</sub>	Operational power at 380–440 V		
			AC-21A A	AC-23A kW	AC-3 kW	
Main Switches OFF position padlockable 09h	3 ... 8	H400-A/ -D	63	22	18,5	H406 - 41 ... - 321M1
			80	30	22	H408 - 41 ... - 321M1
			100	37	30	H410 - 41 ... - 321M1
			125	45	37	H412 - 41 ... - 321M1
Main/Emergency-Off Switches OFF position padlockable 09h	3 ... 8	H400-A/ -D	63	22	18,5	H406 - 41 ... - 321M4
			80	30	22	H408 - 41 ... - 321M4
			100	37	30	H410 - 41 ... - 321M4
			125	45	37	H412 - 41 ... - 321M4

## SMD modules for basic switch A02

Mounting form module for 321M.

M-padlock device 67 x 67 mm, mounting form 321M1  
Escutcheon black, padlockable handle black

H400-A  
H400-D

BFA4 - 321  
BFB4 - 321  
2GM1

M-padlock device 67 x 67 mm, mounting form 321M4  
Escutcheon yellow, padlockable handle red

2GM4

Additional top escutcheon plate

Terminal cover, 3 pole

Terminal cover, each additional single pole

H400-A 1x / -D 2x  
H400-A/ -D

FAZ2 - 8041  
TCA4  
TCB4

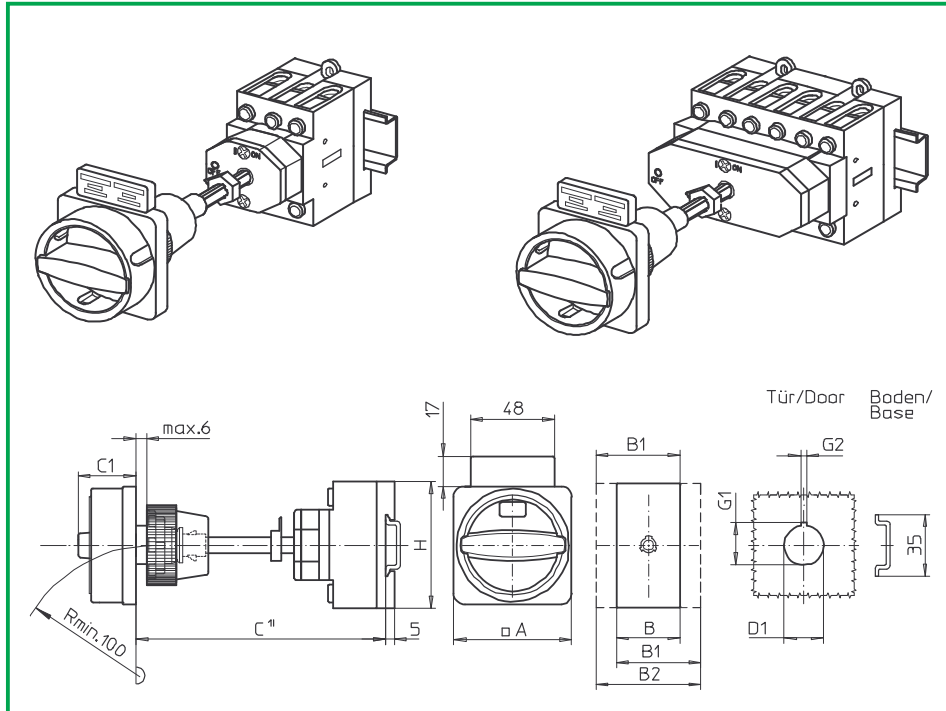
## Dimensions (mm)

Product lines	A	B	B1	B2	C	C1	D1	G1	G2	H
H400-A	67	70	89	108	160	38	22,5	24,2	3,2	80
H400-D	67	140	159	178	160	38	22,5	24,2	3,2	80

C<sup>1)</sup> Internal depth, outside of door to top of DIN rail.

# Base Mounting Switches

**sälzer**



**Product lines**  
H400-A/ -D

**Base mounting switch**

**Door interlock**

Metal shaft extension with fixed metal shaft, C =160 mm

**Single hole mounting**

ø 22,5 mm front

**321N1 (IP66)**

**321N4 (IP66)**

Complete switch	Poles	Product line	Rated data (IEC 60947)			Order code number
			Operational current I <sub>e</sub>	Operational power at 380–440 V		
			AC-21A A	AC-23A kW	AC-3 kW	
Main Switches OFF position padlockable 09h	3 ... 8	H400-A/ -D	63	22	18,5	H406 - 41 ... - 321N1
			80	30	22	H408 - 41 ... - 321N1
			100	37	30	H410 - 41 ... - 321N1
			125	45	37	H412 - 41 ... - 321N1
Main/Emergency-Off Switches OFF position padlockable 09h	3 ... 8	H400-A/ -D	63	22	18,5	H406 - 41 ... - 321N4
			80	30	22	H408 - 41 ... - 321N4
			100	37	30	H410 - 41 ... - 321N4
			125	45	37	H412 - 41 ... - 321N4

## SMD modules for basic switch A02

Mounting form module for 321N.

H400-A  
H400-D

BFA4 - 321  
BFB4 - 321

N-padlock device 67 x 67 mm, mounting form 321N1  
Escutcheon black, padlockable handle black

2GN1

N-padlock device 67 x 67 mm, mounting form 321N4  
Escutcheon yellow, padlockable handle red

2GN4

Additional top escutcheon plate

FAZ2 - 8041

Terminal cover, 3 pole

H400-A 1x / -D 2x

TCA4

Terminal cover, each additional single pole

H400-A/ -D

TCB4

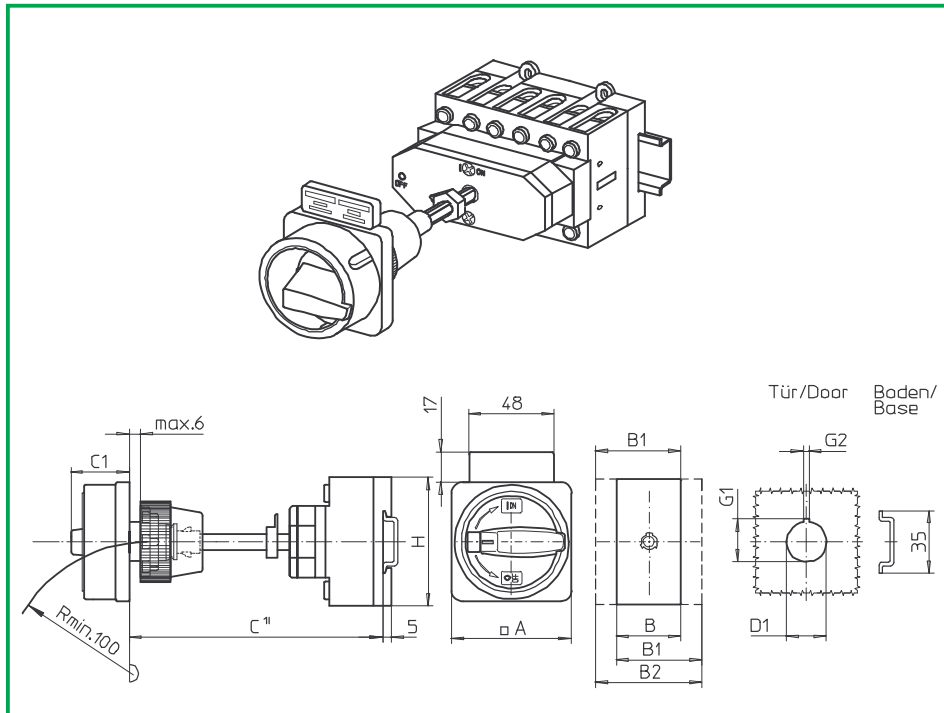
## Dimensions (mm)

Product lines	A	B	B1	B2	C	C1	D1	G1	G2	H
H400-A	67	70	89	108	160	33	22,5	24,2	3,2	80
H400-D	67	140	159	178	160	33	22,5	24,2	3,2	80

C<sup>1)</sup> Internal depth, outside of door to top of DIN rail.

# Base Mounting Switches

**sälzer**



**Product lines  
H400-D**

**Base mounting switch**

**Door interlock**

Metal shaft extension with fixed metal shaft, C = 165 mm

**Single hole mounting**

ø 22,5 mm front

**322M1 (IP66)**

**322M4 (IP66)**

Complete switch	Poles	Product line	Rated data (IEC 60947)			Order code number
			Operational current I <sub>e</sub>	Operational power at 380–440 V		
			AC-21A A	AC-23A kW	AC-3 kW	
Main Switches OFF position padlockable 09h	6 ... 8	H400-D	63	22	18,5	<b>H406 - 41 ... - 322M1</b>
			80	30	22	<b>H408 - 41 ... - 322M1</b>
			100	37	30	<b>H410 - 41 ... - 322M1</b>
			125	45	37	<b>H412 - 41 ... - 322M1</b>
Main/Emergency-Off Switches OFF position padlockable 09h	6 ... 8	H400-D	63	22	18,5	<b>H406 - 41 ... - 322M4</b>
			80	30	22	<b>H408 - 41 ... - 322M4</b>
			100	37	30	<b>H410 - 41 ... - 322M4</b>
			125	45	37	<b>H412 - 41 ... - 322M4</b>

## SMD modules for basic switch A02

Mounting form module for 322M.

H400-D

**BFB4 - 322**

M-padlock device 67 x 67 mm, mounting form 322M1  
Escutcheon black, padlockable handle black

**2GM1**

M-padlock device 67 x 67 mm, mounting form 322M4  
Escutcheon yellow, padlockable handle red

**2GM4**

Additional top escutcheon plate

**FAZ2 - 8041**

Terminal cover, 3 pole

H400-D 2x

**TCA4**

Terminal cover, each additional single pole

H400-D

**TCB4**

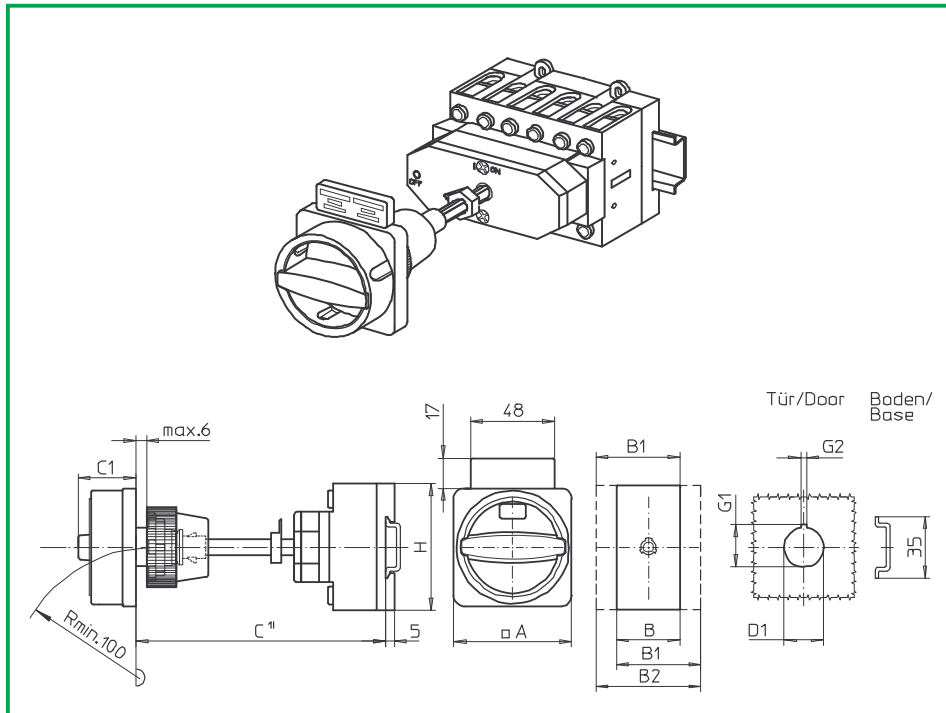
## Dimensions (mm)

Product line	A	B	B1	B2	C	C1	D1	G1	G2	H
H400-D	67	140	159	178	165	38	22,5	24,2	3,2	80

C<sup>1)</sup> Internal depth, outside of door to top of DIN rail.

# Base Mounting Switches

# sälzer



**Product lines**  
**H400-D**

**Base mounting switch**

**Door interlock**

Metal shaft extension with fixed metal shaft, C = 165 mm

**Single hole mounting**

∅ 22,5 mm front

**322N1 (IP66)**

**322N4 (IP66)**

Complete switch	Poles	Product line	Rated data (IEC 60947)			Order code number
			Operational current I <sub>e</sub>	Operational power at 380–440 V		
			AC-21A A	AC-23A kW	AC-3 kW	
Main Switches OFF position padlockable 09h	6 ... 8	H400-D	63	22	18,5	<b>H406 - 41 ... - 322N1</b>
			80	30	22	<b>H408 - 41 ... - 322N1</b>
			100	37	30	<b>H410 - 41 ... - 322N1</b>
			125	45	37	<b>H412 - 41 ... - 322N1</b>
Main/Emergency-Off Switches OFF position padlockable 09h	6 ... 8	H400-D	63	22	18,5	<b>H406 - 41 ... - 322N4</b>
			80	30	22	<b>H408 - 41 ... - 322N4</b>
			100	37	30	<b>H410 - 41 ... - 322N4</b>
			125	45	37	<b>H412 - 41 ... - 322N4</b>

SMD modules for basic switch A02		
Mounting form module for 322N.	H400-D	<b>BFB4 - 322 2GN1</b>
N-padlock device 67 x 67 mm, mounting form 322N1 Escutcheon black, padlockable handle black		<b>2GN4</b>
N-padlock device 67 x 67 mm, mounting form 322N4 Escutcheon yellow, padlockable handle red		<b>FAZ2 - 8041</b>
Additional top escutcheon plate		<b>TCA4</b>
Terminal cover, 3 pole	H400-D 2x	<b>TCB4</b>
Terminal cover, each additional single pole	H400-D	

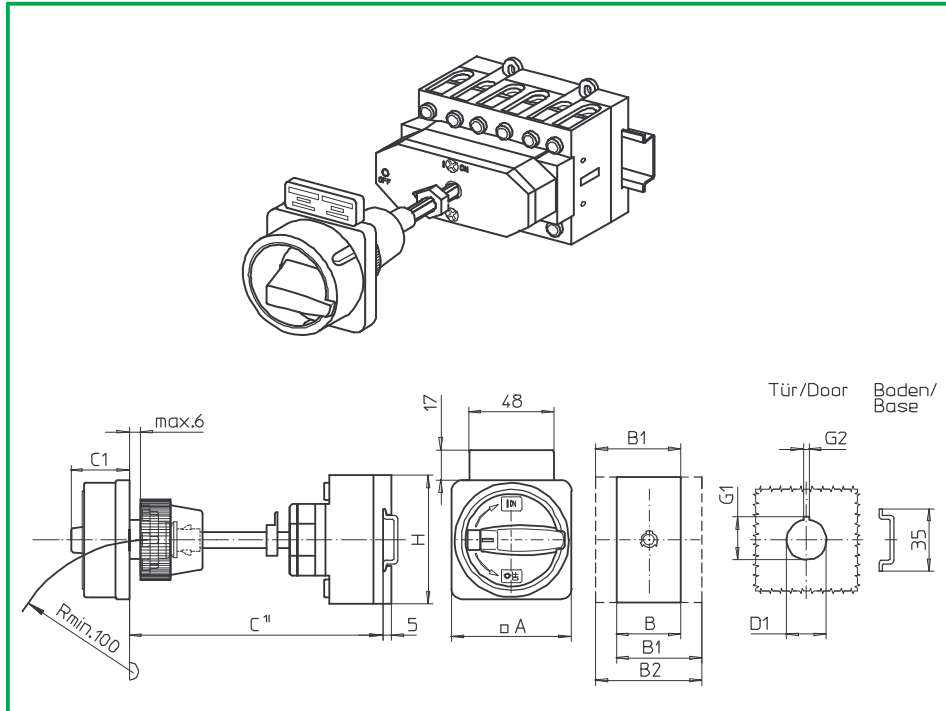
Dimensions (mm)										
Product line	A	B	B1	B2	C	C1	D1	G1	G2	H
H400-D	67	140	159	178	165	33	22,5	24,2	3,2	80

C<sup>1)</sup> Internal depth, outside of door to top of DIN rail.



# Base Mounting Switches

**sälzer**



**Product lines  
H400-D**

**Base mounting switch**

**Door interlock**  
Metal shaft extension with fixed metal shaft, C = 170 mm

**Single hole mounting**  
ø 22,5 mm front

**323M1 (IP66)**  
**323M4 (IP66)**

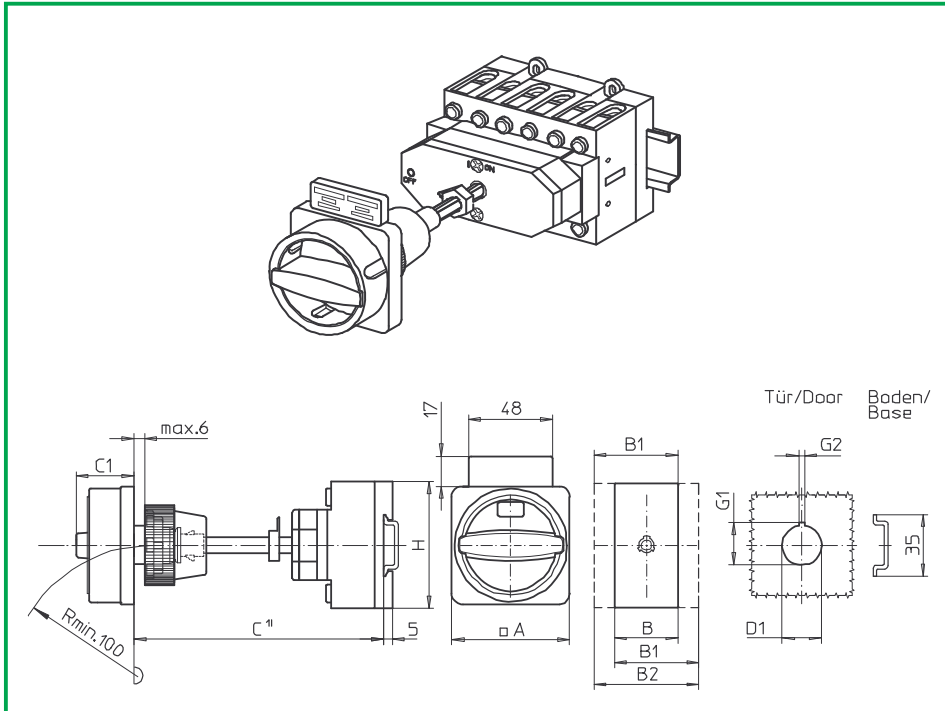
Complete switch	Poles	Product line	Rated data (IEC 60947)			Order code number
			Operational current I <sub>e</sub>	Operational power at 380–440 V		
			AC-21A A	AC-23A kW	AC-3 kW	
Main Switches OFF position padlockable 09h	6 ... 8	H400-D	63	22	18,5	<b>H406 - 41 ... - 323M1</b>
			80	30	22	<b>H408 - 41 ... - 323M1</b>
			100	37	30	<b>H410 - 41 ... - 323M1</b>
			125	45	37	<b>H412 - 41 ... - 323M1</b>
Main/Emergency-Off Switches OFF position padlockable 09h	6 ... 8	H400-D	63	22	18,5	<b>H406 - 41 ... - 323M4</b>
			80	30	22	<b>H408 - 41 ... - 323M4</b>
			100	37	30	<b>H410 - 41 ... - 323M4</b>
			125	45	37	<b>H412 - 41 ... - 323M4</b>

SMD modules for basic switch A02		
Mounting form module for 323M.	H400-D	<b>BFB4 - 323 2GM1</b>
M-padlock device 67 x 67 mm, mounting form 323M1 Escutcheon black, padlockable handle black		<b>2GM4</b>
M-padlock device 67 x 67 mm, mounting form 323M4 Escutcheon yellow, padlockable handle red		<b>FAZ2 - 8041</b>
Additional top escutcheon plate		<b>TCA4</b>
Terminal cover, 3 pole	H400-D 2x	<b>TCB4</b>
Terminal cover, each additional single pole	H400-D	

Dimensions (mm)										
Product line	A	B	B1	B2	C	C1	D1	G1	G2	H
H400-D	67	140	159	178	165	38	22,5	24,2	3,2	80

C<sup>1</sup>) Internal depth, outside of door to top of DIN rail.

# Base Mounting Switches



**Product lines**  
**H400-D**

**Base mounting switch**

**Door interlock**

Metal shaft extension with fixed metal shaft, C = 170 mm

**Single hole mounting**

∅ 22,5 mm front

**323N1 (IP66)**

**323N4 (IP66)**

Complete switch	Poles	Product line	Rated data (IEC 60947)			Order code number
			Operational current I <sub>e</sub>	Operational power at 380–440 V		
			AC-21A A	AC-23A kW	AC-3 kW	
Main Switches OFF position padlockable 09h	6 ... 8	H400-D	63	22	18,5	<b>H406 - 41 ... - 323N1</b>
			80	30	22	<b>H408 - 41 ... - 323N1</b>
			100	37	30	<b>H410 - 41 ... - 323N1</b>
			125	45	37	<b>H412 - 41 ... - 323N1</b>
Main/Emergency-Off Switches OFF position padlockable 09h	6 ... 8	H400-D	63	22	18,5	<b>H406 - 41 ... - 323N4</b>
			80	30	22	<b>H408 - 41 ... - 323N4</b>
			100	37	30	<b>H410 - 41 ... - 323N4</b>
			125	45	37	<b>H412 - 41 ... - 323N4</b>

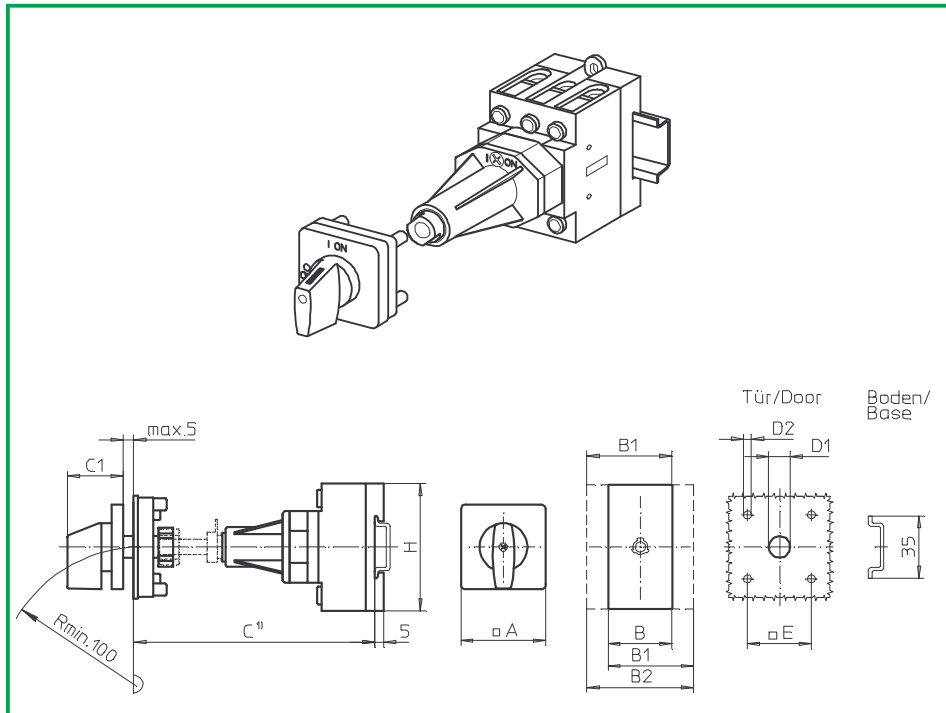
SMD modules for basic switch A02		
Mounting form module for 323N.	H400-D	<b>BFB4 - 323</b>
N-padlock device 67 x 67 mm, mounting form 323N1 Escutcheon black, padlockable handle black		<b>2GN1</b>
N-padlock device 67 x 67 mm, mounting form 323N4 Escutcheon yellow, padlockable handle red		<b>2GN4</b>
Additional top escutcheon plate		<b>FAZ2 - 8041</b>
Terminal cover, 3 pole	H400-D 2x	<b>TCA4</b>
Terminal cover, each additional single pole	H400-D	<b>TCB4</b>

Dimensions (mm)										
Product line	A	B	B1	B2	C	C1	D1	G1	G2	H
H400-D	67	140	159	178	165	33	22,5	24,2	3,2	80

C<sup>1)</sup> Internal depth, outside of door to top of DIN rail.

# Base Mounting Switches

**sälzer**



**Product lines**  
H400-A/ -D/ -E

**Base mounting switch**

**Door clutch**

Metal shaft extension

**Four hole mounting**

48 x 48 mm front

**441M1 (IP66)**

Complete switch	Poles	Product line	Rated data (IEC 60947)			Order code number
			Operational current I <sub>e</sub>	Operational power at 380–440 V		
			AC-21A A	AC-23A kW	AC-3 kW	
ON-OFF Switches Switching angle 90°	3 ... 8	H400-A/ -D	63	22	18,5	<b>H406 - 41 ... - 441M1</b>
			80	30	22	<b>H408 - 41 ... - 441M1</b>
			100	37	30	<b>H410 - 41 ... - 441M1</b>
			125	45	37	<b>H412 - 41 ... - 441M1</b>
Changeover with OFF Switching angle 90°	3 ... 4	H400-E	63	22	18,5	<b>H406 - 71 ... - 441M1</b>
			80	30	22	<b>H408 - 71 ... - 441M1</b>
			100	37	30	<b>H410 - 71 ... - 441M1</b>
			125	45	37	<b>H412 - 71 ... - 441M1</b>

## SMD modules for basic switch A02

Mounting form module for 441M1

Mounting form module for 441M1

M-operator module 64 x 64 mm, mounting form 441M1

Escutcheon black, handle black

Legend plate silver, operator module 441M1

H400-A/ -D

H400-E

**BFA4 - 441**

**BFB4 - 441**

**4AM1**

**FAS4 - 9...** (FA number)

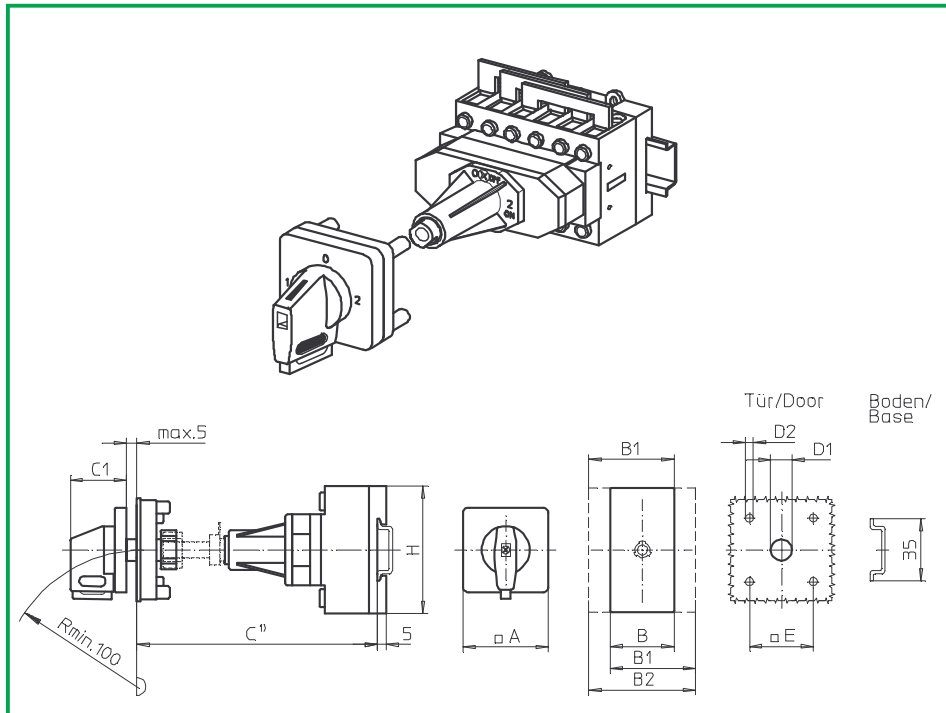
## Dimensions (mm)

Product lines	A	B	B1	B2	C1	D1	D2	E	H
H400-A	64	70	89	108	40	15	5	48	80
H400-D/ -E	64	140	159	178	40	15	5	48	80

C<sup>1)</sup> Internal depth, inside of door to top of DIN rail. Metal shaft is not included. See page B7-8.

# Base Mounting Switches

# sälzer



**Product line**  
**H400-E**

**Base mounting switch**

**Door clutch**

Metal shaft extension

**Four hole mounting**

48 x 48 mm front

**441V1 (IP66)**

**442V1 (IP66)**

Complete switch	Poles	Product line	Rated data (IEC 60947)			Order code number
			Operational current I <sub>e</sub>	Operational power at 380–440 V		
			AC-21A A	AC-23A kW	AC-3 kW	
Changeover with OFF Switching angle 90° OFF position padlockable 12h	3 ... 4	H400-E	63	22	18,5	<b>H406 - 71 ... - 441V1</b>
			80	30	22	<b>H408 - 71 ... - 441V1</b>
			100	37	30	<b>H410 - 71 ... - 441V1</b>
			125	45	37	<b>H412 - 71 ... - 441V1</b>
Changeover with OFF Switching angle 90° 3 positions padlockable (09h/12h/03h)	3 ... 4	H400-E	63	22	18,5	<b>H406 - 71 ... - 442V1</b>
			80	30	22	<b>H408 - 71 ... - 442V1</b>
			100	37	30	<b>H410 - 71 ... - 442V1</b>
			125	45	37	<b>H412 - 71 ... - 442V1</b>

### SMD modules for basic switch A02

Mounting form module for 441V1/ 442V1

H400-E

**BFB4 - 441**

V-operator module 64 x 64 mm, mounting form 441V1  
Escutcheon black, handle black

**4AV1 - 12**

V-operator module 64 x 64 mm, mounting form 442V1  
Escutcheon black, handle black

**4AV1 - 99**

Legend plate silver, operator module 441V1/ 442V1

**FAS4 - 9...** (FA number)

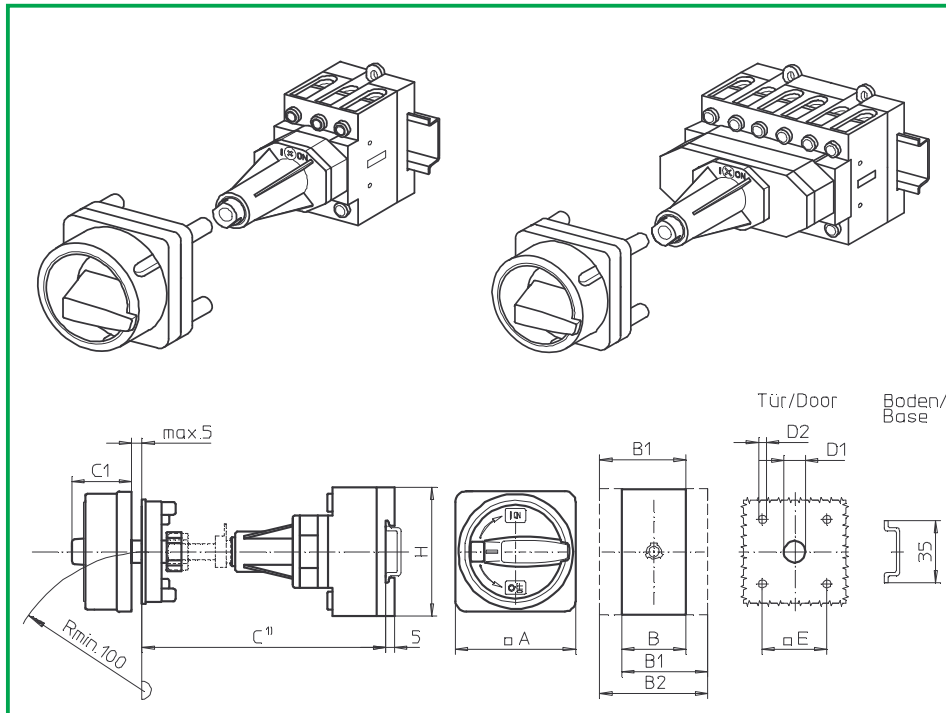
### Dimensions (mm)

Product line	A	B	B1	B2	C1	D1	D2	E	H
H400-E	64	140	159	178	40	15	5	48	80

C<sup>1)</sup> Internal depth, inside of door to top of DIN rail. Metal shaft is not included. See page B7-8.

# Base Mounting Switches

**sälzer**



**Product lines  
H400-A/ -D**

**Base mounting switch**

**Door clutch**

Metal shaft extension

**Four hole mounting**

48 x 48 mm front

**432M1 (IP66)**

**432M4 (IP66)**

Complete switch	Poles	Product line	Rated data (IEC 60947)			Order code number
			Operational current I <sub>e</sub>	Operational power at 380–440 V		
			AC-21A A	AC-23A kW	AC-3 kW	
Main Switches OFF position padlockable 09h	3 ... 8	H400-A/ -D	63	22	18,5	<b>H406 - 41 ... - 432M1</b>
			80	30	22	<b>H408 - 41 ... - 432M1</b>
			100	37	30	<b>H410 - 41 ... - 432M1</b>
			125	45	37	<b>H412 - 41 ... - 432M1</b>
Main/Emergency-Off Switches OFF position padlockable 09h	3 ... 8	H400-A/ -D	63	22	18,5	<b>H406 - 41 ... - 432M4</b>
			80	30	22	<b>H408 - 41 ... - 432M4</b>
			100	37	30	<b>H410 - 41 ... - 432M4</b>
			125	45	37	<b>H412 - 41 ... - 432M4</b>

## SMD modules for basic switch A02

Mounting form module for 432M.

H400-A/ -D

**BFA4 - 432**

M-padlock device 88 x 88 mm, mounting form 432M1  
Escutcheon black, padlockable handle black

**4CM1**

M-padlock device 88 x 88 mm, mounting form 432M4  
Escutcheon yellow, padlockable handle red

**4CM4**

Terminal cover, 3 pole

H400-A 1x / -D 2x

**TCA4**

Terminal cover, each additional single pole

H400-A/ -D

**TCB4**

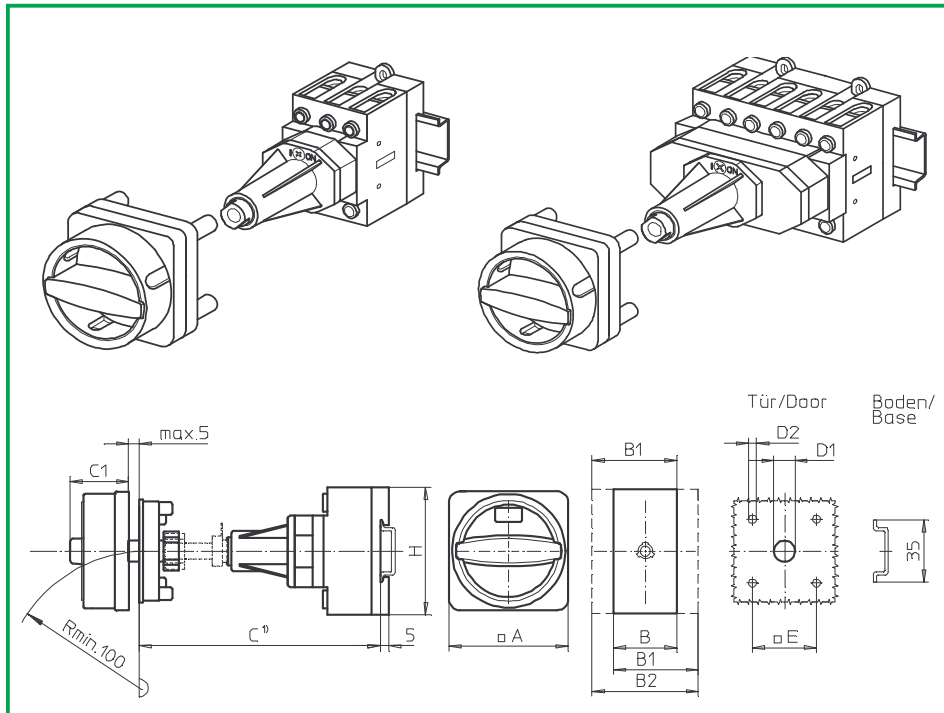
## Dimensions (mm)

Product lines	A	B	B1	B2	C1	D1	D2	E	H
H400-A	88	70	89	108	50	15	5	48	80
H400-D	88	140	159	178	50	15	5	48	80

C<sup>1</sup>) Internal depth, inside of door to top of DIN rail. Metal shaft is not included. See page B7-8.

# Base Mounting Switches

**sälzer**



**Product lines  
H400-A/ -D**

**Base mounting switch**

**Door clutch**

Metal shaft extension

**Four hole mounting**

48 x 48 mm front

**432N1 (IP66)**

**432N4 (IP66)**

Complete switch	Poles	Product line	Rated data (IEC 60947)			Order code number
			Operational current I <sub>e</sub>	Operational power at 380–440 V		
			AC-21A A	AC-23A kW	AC-3 kW	
Main Switches OFF position padlockable 09h	3 ... 8	H400-A/ -D	63	22	18,5	<b>H406 - 41 ... - 432N1</b>
			80	30	22	<b>H408 - 41 ... - 432N1</b>
			100	37	30	<b>H410 - 41 ... - 432N1</b>
			125	45	37	<b>H412 - 41 ... - 432N1</b>
Main/Emergency-Off Switches OFF position padlockable 09h	3 ... 8	H400-A/ -D	63	22	18,5	<b>H406 - 41 ... - 432N4</b>
			80	30	22	<b>H408 - 41 ... - 432N4</b>
			100	37	30	<b>H410 - 41 ... - 432N4</b>
			125	45	37	<b>H412 - 41 ... - 432N4</b>

## SMD modules for basic switch A02

Mounting form module for 432N.

H400-A/ -D

**BFA4 - 432**

N-padlock device 88 x 88 mm, mounting form 432N1

**4CN1**

Escutcheon black, padlockable handle black

N-padlock device 88 x 88 mm, mounting form 432N4

**4CN4**

Escutcheon yellow, padlockable handle red

Terminal cover, 3 pole

H400-A 1x / -D 2x

**TCA4**

Terminal cover, each additional single pole

H400-A/ -D

**TCB4**

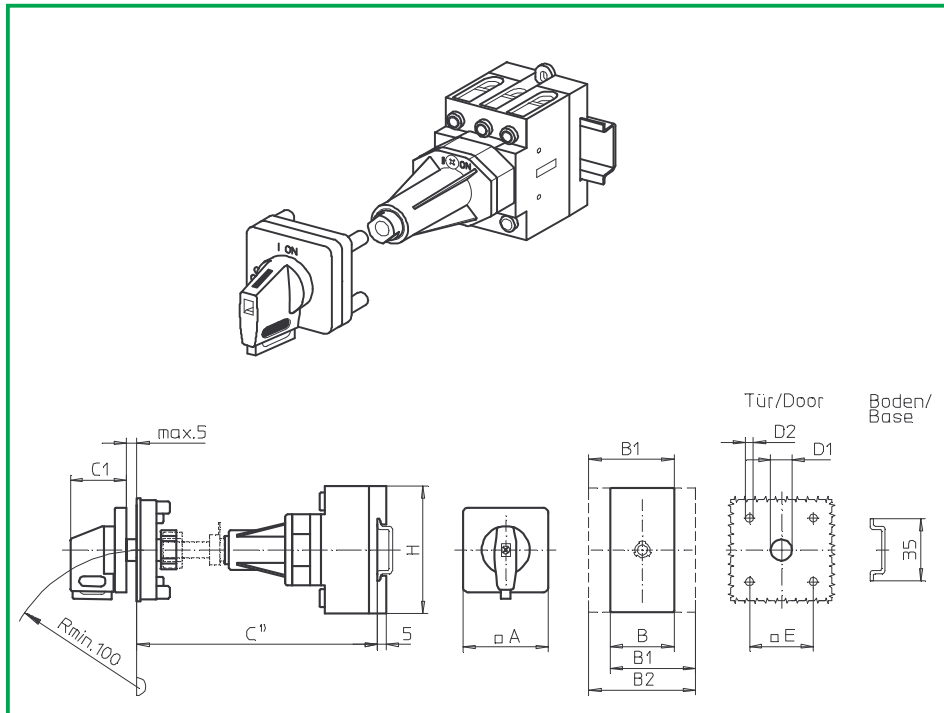
## Dimensions (mm)

Product lines	A	B	B1	B2	C1	D1	D2	E	H
H400-A	88	70	89	108	45	15	5	48	80
H400-D	88	140	159	178	45	15	5	48	80

C<sup>1)</sup> Internal depth, inside of door to top of DIN rail. Metal shaft is not included. See page B7-8.

# Base Mounting Switches

# sälzer



**Product lines**  
H400-A/ -D

**Base mounting switch**

**Door clutch**

Metal shaft extension

**Four hole mounting**

48 x 48 mm front

**432V1 (IP66)**

**432V4 (IP66)**

Complete switch	Poles	Product line	Rated data (IEC 60947)			Order code number
			Operational current I <sub>e</sub>	Operational power at 380–440 V		
			AC-21A A	AC-23A kW	AC-3 kW	
Main Switches OFF position padlockable 09h	3 ... 8	H400-A/ -D	63	22	18,5	<b>H406 - 41 ... - 432V1</b>
			80	30	22	<b>H408 - 41 ... - 432V1</b>
			100	37	30	<b>H410 - 41 ... - 432V1</b>
			125	45	37	<b>H412 - 41 ... - 432V1</b>
Main/Emergency-Off Switches OFF position padlockable 09h	3 ... 8	H400-A/ -D	63	22	18,5	<b>H406 - 41 ... - 432V4</b>
			80	30	22	<b>H408 - 41 ... - 432V4</b>
			100	37	30	<b>H410 - 41 ... - 432V4</b>
			125	45	37	<b>H412 - 41 ... - 432V4</b>

### SMD modules for basic switch A02

Mounting form module for 432V.

H400-A/ -D

**BFA4 - 441**

V-operator module 64 x 64 mm, mounting form 432V1

**4AV1 - 09**

Escutcheon black, handle black

Legend plate silver, operator module 432V1

**FAS4 - 9...** (FA number)

V-operator module 64 x 64 mm, mounting form 432V4

**4AV4 - 09**

Escutcheon black, handle red

Legend plate yellow, operator module 432V4

**FBS4 - 9...** (FA number)

Terminal cover, 3 pole

H400-A 1x / -D 2x

**TCA4**

Terminal cover, each additional single pole

H400-A/ -D

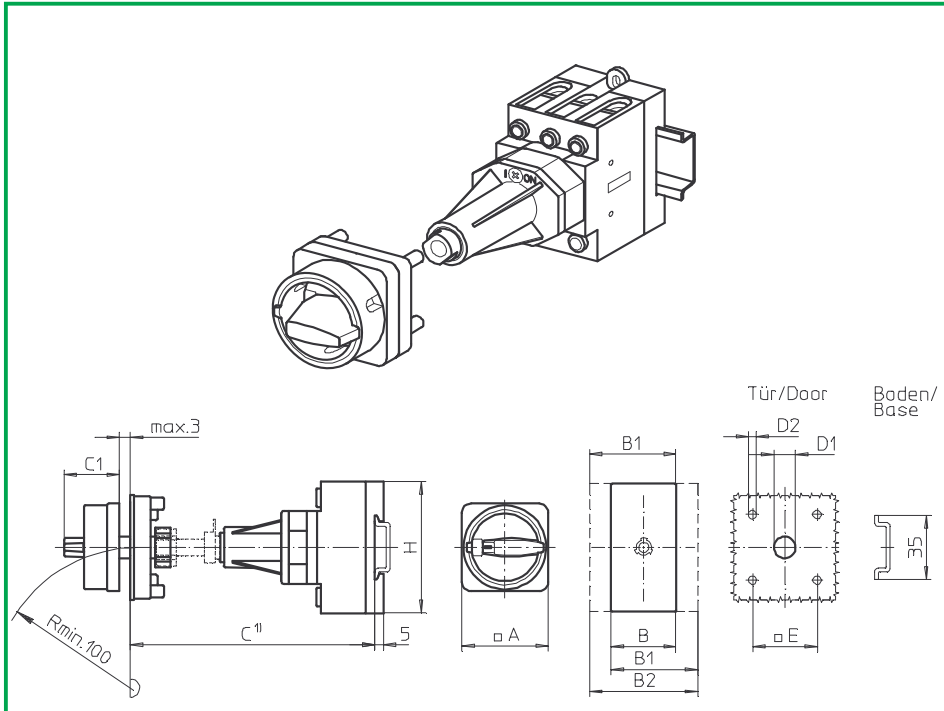
**TCB4**

### Dimensions (mm)

Product lines	A	B	B1	B2	C1	D1	D2	E	H
H400-A	64	70	89	108	40	15	5	48	80
H400-D	64	140	159	178	40	15	5	48	80

C<sup>1)</sup> Internal depth, inside of door to top of DIN rail. Metal shaft is not included. See page B7-8.

# Base Mounting Switches



**Product lines**  
H400-A/ -D

**Base mounting switch**

**Door clutch**  
Metal shaft extension

**Four hole mounting**  
48 x 48 mm front

**431M1 (IP66)**  
**431M4 (IP66)**

Complete switch	Poles	Product line	Rated data (IEC 60947)			Order code number
			Operational current I <sub>e</sub>	Operational power at 380–440 V		
			AC-21A A	AC-23A kW	AC-3 kW	
Main Switches OFF position padlockable 09h	3 ... 8	H400-A/ -D	63	22	18,5	<b>H406 - 41 ... - 431M1</b>
			80	30	22	<b>H408 - 41 ... - 431M1</b>
			100	37	30	<b>H410 - 41 ... - 431M1</b>
			125	45	37	<b>H412 - 41 ... - 431M1</b>
Main/Emergency-Off Switches OFF position padlockable 09h	3 ... 8	H400-A/ -D	63	22	18,5	<b>H406 - 41 ... - 431M4</b>
			80	30	22	<b>H408 - 41 ... - 431M4</b>
			100	37	30	<b>H410 - 41 ... - 431M4</b>
			125	45	37	<b>H412 - 41 ... - 431M4</b>

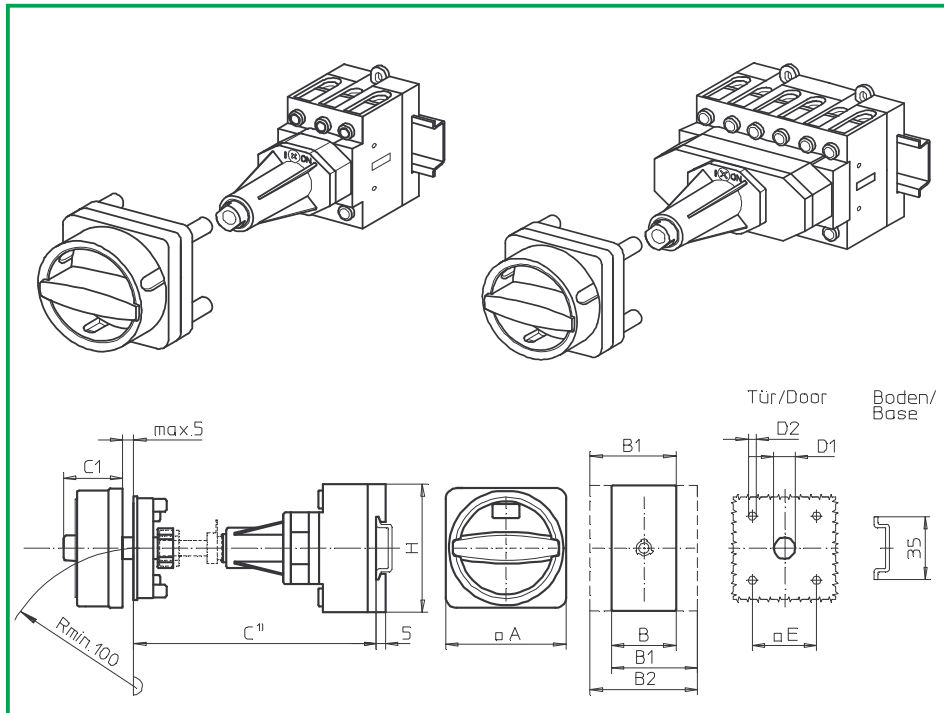
SMD modules for basic switch A02		
Mounting form module for 431M.	H400-A/ -D	<b>BFA4 - 431</b>
M-padlock device 67 x 67 mm, mounting form 431M1 Escutcheon black, padlockable handle black		<b>4BM1</b>
M-padlock device 67 x 67 mm, mounting form 431M4 Escutcheon yellow, padlockable handle red		<b>4BM4</b>
Terminal cover, 3 pole	H400-A 1x / -D 2x	<b>TCA4</b>
Terminal cover, each additional single pole	H400-A/ -D	<b>TCB4</b>

Dimensions (mm)									
Product lines	A	B	B1	B2	C1	D1	D2	E	H
H400-A	67	70	89	108	38	15	5	48	80
H400-D	67	140	159	178	38	15	5	48	80

C<sup>1)</sup> Internal depth, inside of door to top of DIN rail. Metal shaft is not included. See page B7-8.



# Base Mounting Switches



**Product lines**  
H400-A/ -D

**Base mounting switch**  
**Door clutch**  
Metal shaft extension

**Four hole mounting**  
48 x 48 mm front

**431N1 (IP66)**  
**431N4 (IP66)**

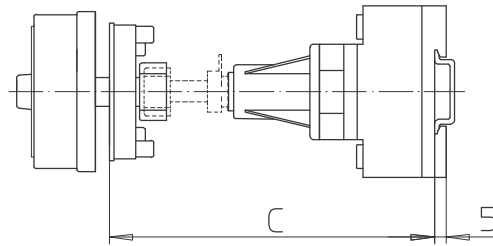
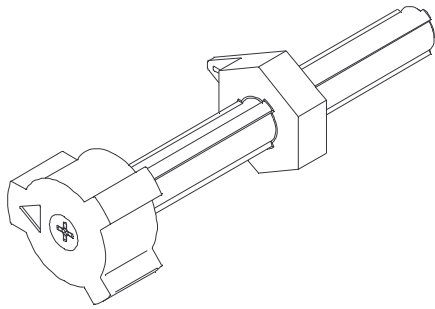
Complete switch	Poles	Product line	Rated data (IEC 60947)			Order code number
			Operational current I <sub>e</sub>	Operational power at 380–440 V		
			AC-21A A	AC-23A kW	AC-3 kW	
Main Switches OFF position padlockable 09h	3 ... 8	H400-A/ -D	63	22	18,5	H406 - 41 ... - 431N1
			80	30	22	H408 - 41 ... - 431N1
			100	37	30	H410 - 41 ... - 431N1
			125	45	37	H412 - 41 ... - 431N1
Main/Emergency-Off Switches OFF position padlockable 09h	3 ... 8	H400-A/ -D	63	22	18,5	H406 - 41 ... - 431N4
			80	30	22	H408 - 41 ... - 431N4
			100	37	30	H410 - 41 ... - 431N4
			125	45	37	H412 - 41 ... - 431N4

SMD modules for basic switch A02		
Mounting form module for 431N.	H400-A/ -D	BFA4 - 431
N-padlock device 67 x 67 mm, mounting form 431N1 Escutcheon black, padlockable handle black		4BN1
N-padlock device 67 x 67 mm, mounting form 431N4 Escutcheon yellow, padlockable handle red		4BN4
Terminal cover, 3 pole	H400-A 1x / -D 2x	TCA4
Terminal cover, each additional single pole	H400-A/ -D	TCB4

Dimensions (mm)									
Product lines	A	B	B1	B2	C1	D1	D2	E	H
H400-A	67	70	89	108	33	15	5	48	80
H400-D	67	140	159	178	33	15	5	48	80

C<sup>1)</sup> Internal depth, inside of door to top of DIN rail. Metal shaft is not included. See page B7-8.

# Metal shaft extension



**Product lines**  
H400-A/ -D/ -E

**Base mounting switch**

**Door clutch**  
Metal shaft extension

**Four hole mounting**  
front

**AVB8 - . . .**

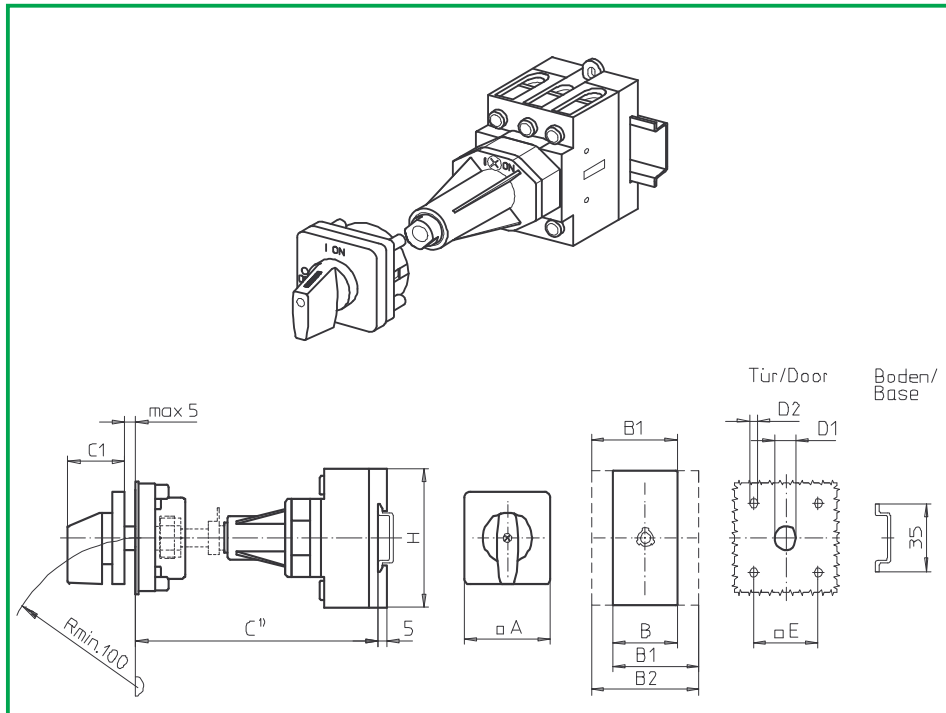
**Metal shaft extension for mounting forms with door clutch and four hole mounting front**

Dimension C (Internal depth, inside of door to top of DIN rail)

H400-A	H400-D/ -E	Order code number
150 . . . 174mm	163 . . . 187 mm	AVB8 - 065
175 . . . 199mm	188 . . . 212 mm	AVB8 - 090
200 . . . 224mm	213 . . . 237 mm	AVB8 - 115
225 . . . 249 mm	238 . . . 262 mm	AVB8 - 140
250 . . . 274 mm	263 . . . 287 mm	AVB8 - 165
275 . . . 299 mm	288 . . . 312 mm	AVB8 - 190
300 . . . 324 mm	313 . . . 337 mm	AVB8 - 215
325 . . . 349 mm	338 . . . 362 mm	AVB8 - 240
350 . . . 374 mm	363 . . . 387 mm	AVB8 - 265
375 . . . 399 mm	388 . . . 412 mm	AVB8 - 290
400 . . . 424 mm	413 . . . 437 mm	AVB8 - 315
425 . . . 449 mm	438 . . . 462 mm	AVB8 - 340
450 . . . 474 mm	463 . . . 487 mm	AVB8 - 365
475 . . . 499 mm	488 . . . 512 mm	AVB8 - 390
500 . . . 524 mm	513 . . . 537 mm	AVB8 - 415
525 . . . 549 mm	538 . . . 562 mm	AVB8 - 440
550 . . . 574 mm	563 . . . 587 mm	AVB8 - 465
575 . . . 599 mm	588 . . . 612 mm	AVB8 - 490
600 . . . 624 mm	613 . . . 637 mm	AVB8 - 515
625 . . . 649 mm	638 . . . 662 mm	AVB8 - 540

# Base Mounting Switches

**sälzer**



**Product lines**  
H400-A/ -D/ -E

**Base mounting switch**

**Door interlock**  
Metal shaft extension

**Four hole mounting**  
48 x 48 mm front

**481M1 (IP66)**

Complete switch	Poles	Product line	Rated data (IEC 60947)			Order code number
			Operational current I <sub>e</sub>	Operational power at 380–440 V		
			AC-21A A	AC-23A kW	AC-3 kW	
ON-OFF Switches Switching angle 90°	3 ... 8	H400-A/ -D	63	22	18,5	<b>H406 - 41 ... - 481M1</b>
			80	30	22	<b>H408 - 41 ... - 481M1</b>
			100	37	30	<b>H410 - 41 ... - 481M1</b>
			125	45	37	<b>H412 - 41 ... - 481M1</b>
Changeover with OFF Switching angle 90°	3 ... 4	H400-E	63	22	18,5	<b>H406 - 71 ... - 481M1</b>
			80	30	22	<b>H408 - 71 ... - 481M1</b>
			100	37	30	<b>H410 - 71 ... - 481M1</b>
			125	45	37	<b>H412 - 71 ... - 481M1</b>

## SMD modules for basic switch A02

Mounting form module for 481M1  
Mounting form module for 481M1

H400-A/ -D  
H400-E

**BFA4 - 481**  
**BFB4 - 481**  
**4AM1**

M-operator module 64 x 64 mm, mounting form 481M1  
Escutcheon black, handle black

Legend plate silver, operator module 481M1

**FAS4 - 9...** (FA number)

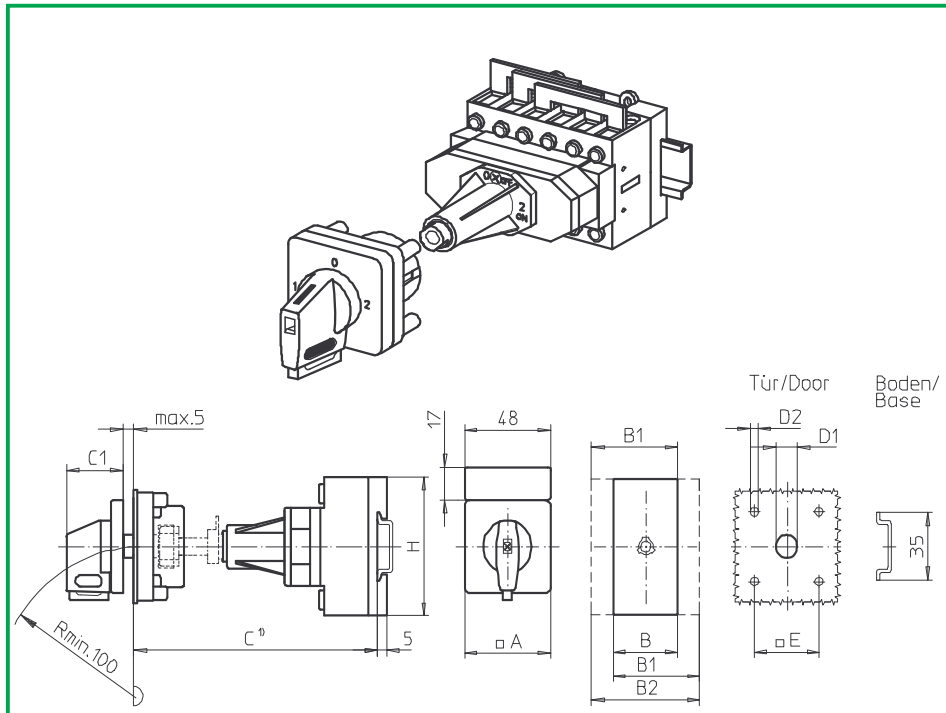
## Dimensions (mm)

Product lines	A	B	B1	B2	C1	D1	D2	E	H
H400-A	64	70	89	108	40	15	5	48	80
H400-D/ -E	64	140	159	178	40	15	5	48	80

C<sup>1)</sup> Internal depth, inside of door to top of DIN rail. Metal shaft is not included. Please order separately. See page B8-8.

# Base Mounting Switches

# sälzer



**Product line**  
H400-E

**Base mounting switch**

**Door interlock**  
Metal shaft extension

**Four hole mounting**  
48 x 48 mm front

**481V1 (IP66)**  
**485V1 (IP66)**

Complete switch	Poles	Product line	Rated data (IEC 60947)			Order code number
			Operational current I <sub>e</sub>	Operational power at 380–440 V		
			AC-21A A	AC-23A kW	AC-3 kW	
Changeover with OFF Switching angle 90° OFF position padlockable 12h	3 ... 4	H400-E	63	22	18,5	<b>H406 - 71 ... - 481V1</b>
			80	30	22	<b>H408 - 71 ... - 481V1</b>
			100	37	30	<b>H410 - 71 ... - 481V1</b>
			125	45	37	<b>H412 - 71 ... - 481V1</b>
Changeover with OFF Switching angle 90° 3 positions padlockable (09h/12h/03h)	3 ... 4	H400-E	63	22	18,5	<b>H406 - 71 ... - 485V1</b>
			80	30	22	<b>H408 - 71 ... - 485V1</b>
			100	37	30	<b>H410 - 71 ... - 485V1</b>
			125	45	37	<b>H412 - 71 ... - 485V1</b>

## SMD modules for basic switch A02

Mounting form module for 481V1/ 485V1

H400-E

**BFB4 - 481**

V-operator module 64 x 64 mm, mounting form 481V1  
Escutcheon black, handle black

**4AV1 - 12**

V-operator module 64 x 64 mm, mounting form 485V1  
Escutcheon black, handle black

**4AV1 - 99**

Legend plate silver, operator module 481V1/ 485V1

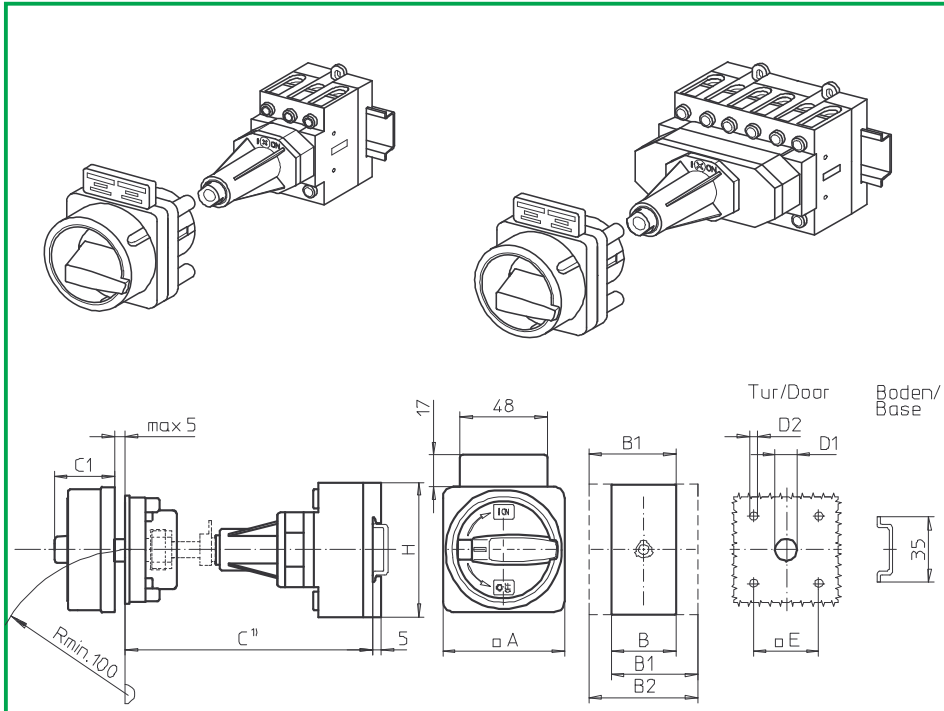
**FAS4 - 9...** (FA number)

## Dimensions (mm)

Product line	A	B	B1	B2	C1	D1	D2	E	H
H400-E	64	140	159	178	40	15	5	48	80

C<sup>1)</sup> Internal depth, inside of door to top of DIN rail. Metal shaft is not included. Please order separately. See page B8-8.

# Base Mounting Switches



**Product lines**  
H400-A/ -D

**Base mounting switch**

**Door interlock**  
Metal shaft extension

**Four hole mounting**  
48 x 48 mm front

**483M1 (IP66)**  
**483M4 (IP66)**

Complete switch	Poles	Product line	Rated data (IEC 60947)			Order code number
			Operational current I <sub>e</sub>	Operational power at 380–440 V		
			AC-21A A	AC-23A kW	AC-3 kW	
Main Switches OFF position padlockable 09h	3 ... 8	H400-A/ -D	63	22	18,5	H406 - 41 ... - 483M1
			80	30	22	H408 - 41 ... - 483M1
			100	37	30	H410 - 41 ... - 483M1
			125	45	37	H412 - 41 ... - 483M1
Main/Emergency-Off Switches OFF position padlockable 09h	3 ... 8	H400-A/ -D	63	22	18,5	H406 - 41 ... - 483M4
			80	30	22	H408 - 41 ... - 483M4
			100	37	30	H410 - 41 ... - 483M4
			125	45	37	H412 - 41 ... - 483M4

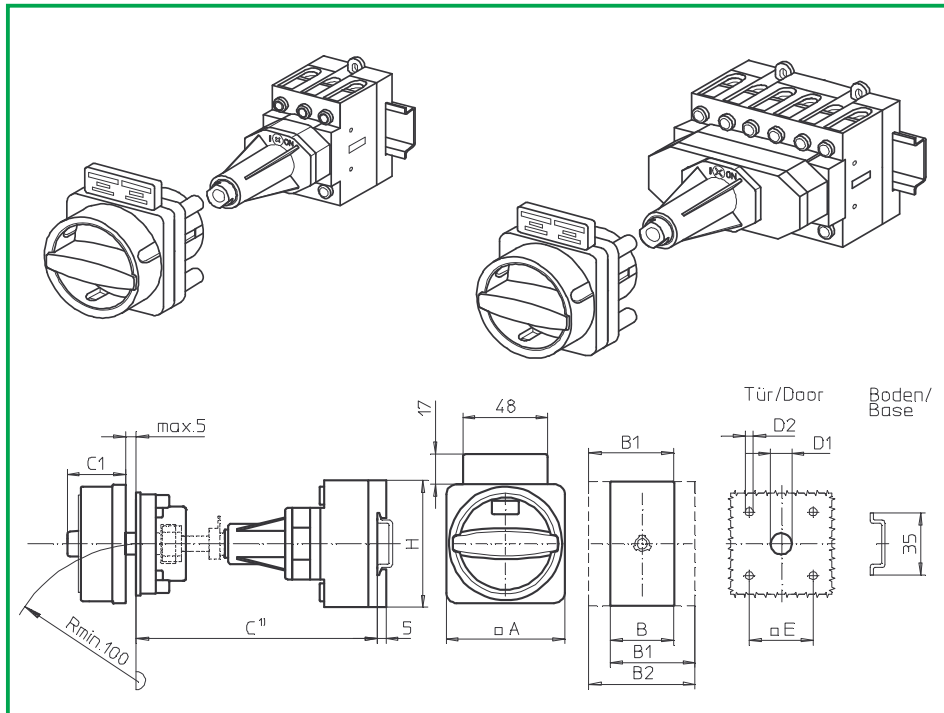
SMD modules for basic switch A02		
Mounting form module for 483M.	H400-A/ -D	BFA4 - 483
M-padlock device 88 x 88 mm, mounting form 483M1 Escutcheon black, padlockable handle black		4CM1
M-padlock device 88 x 88 mm, mounting form 483M4 Escutcheon yellow, padlockable handle red		4CM4
Additional top escutcheon plate		FAZ2 - 8041
Terminal cover, 3 pole	H400-A 1x / -D 2x	TCA4
Terminal cover, each additional single pole	H400-A/ -D	TCB4

Dimensions (mm)									
Product lines	A	B	B1	B2	C1	D1	D2	E	H
H400-A	88	70	89	108	50	15	5	48	80
H400-D	88	140	159	178	50	15	5	48	80

C<sup>1</sup>) Internal depth, inside of door to top of DIN rail. Metal shaft is not included. Please order separately. See page B8-8.

# Base Mounting Switches

**sälzer**



**Product lines  
H400-A/ -D**

**Base mounting switch**

**Door interlock**  
Metal shaft extension

**Four hole mounting**  
48 x 48 mm front

**483N1 (IP66)**  
**483N4 (IP66)**

Complete switch	Poles	Product line	Rated data (IEC 60947)			Order code number
			Operational current I <sub>e</sub>	Operational power at 380–440 V		
			AC-21A A	AC-23A kW	AC-3 kW	
Main Switches OFF position padlockable 09h	3 ... 8	H400-A/ -D	63	22	18,5	<b>H406 - 41 ... - 483N1</b>
			80	30	22	<b>H408 - 41 ... - 483N1</b>
			100	37	30	<b>H410 - 41 ... - 483N1</b>
			125	45	37	<b>H412 - 41 ... - 483N1</b>
Main/Emergency-Off Switches OFF position padlockable 09h	3 ... 8	H400-A/ -D	63	22	18,5	<b>H406 - 41 ... - 483N4</b>
			80	30	22	<b>H408 - 41 ... - 483N4</b>
			100	37	30	<b>H410 - 41 ... - 483N4</b>
			125	45	37	<b>H412 - 41 ... - 483N4</b>

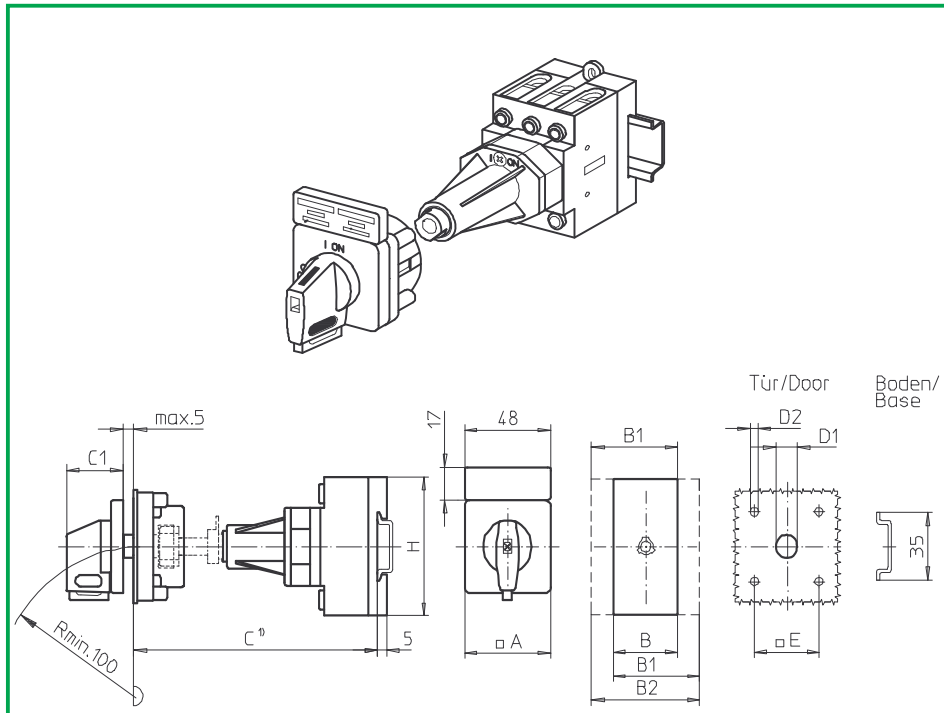
SMD modules for basic switch A02		
Mounting form module for 483N.	H400-A/ -D	<b>BFA4 - 483</b>
N-padlock device 88 x 88 mm, mounting form 483N1 Escutcheon black, padlockable handle black		<b>4CN1</b>
N-padlock device 88 x 88 mm, mounting form 483N4 Escutcheon yellow, padlockable handle red		<b>4CN4</b>
Additional top escutcheon plate		<b>FAZ2 - 8041</b>
Terminal cover, 3 pole	H400-A 1x / -D 2x	<b>TCA4</b>
Terminal cover, each additional single pole	H400-A/ -D	<b>TCB4</b>

Dimensions (mm)									
Product lines	A	B	B1	B2	C1	D1	D2	E	H
H400-A	88	70	89	108	45	15	5	48	80
H400-D	88	140	159	178	45	15	5	48	80

C<sup>1)</sup> Internal depth, inside of door to top of DIN rail. Metal shaft is not included. Please order separately. See page B8-8.

# Base Mounting Switches

**sälzer**



**Product lines**  
H400-A/ -D

**Base mounting switch**

**Door interlock**  
Metal shaft extension

**Four hole mounting**  
48 x 48 mm front

**483V1 (IP66)**  
**483V4 (IP66)**

Complete switch	Poles	Product line	Rated data (IEC 60947)			Order code number
			Operational current I <sub>e</sub>	Operational power at 380–440 V		
			AC-21A A	AC-23A kW	AC-3 kW	
Main Switches OFF position padlockable 09h	3 ... 8	H400-A/ -D	63	22	18,5	<b>H406 - 41 ... - 483V1</b>
			80	30	22	<b>H408 - 41 ... - 483V1</b>
			100	37	30	<b>H410 - 41 ... - 483V1</b>
			125	45	37	<b>H412 - 41 ... - 483V1</b>
Main/Emergency-Off Switches OFF position padlockable 09h	3 ... 8	H400-A/ -D	63	22	18,5	<b>H406 - 41 ... - 483V4</b>
			80	30	22	<b>H408 - 41 ... - 483V4</b>
			100	37	30	<b>H410 - 41 ... - 483V4</b>
			125	45	37	<b>H412 - 41 ... - 483V4</b>

## SMD modules for basic switch A02

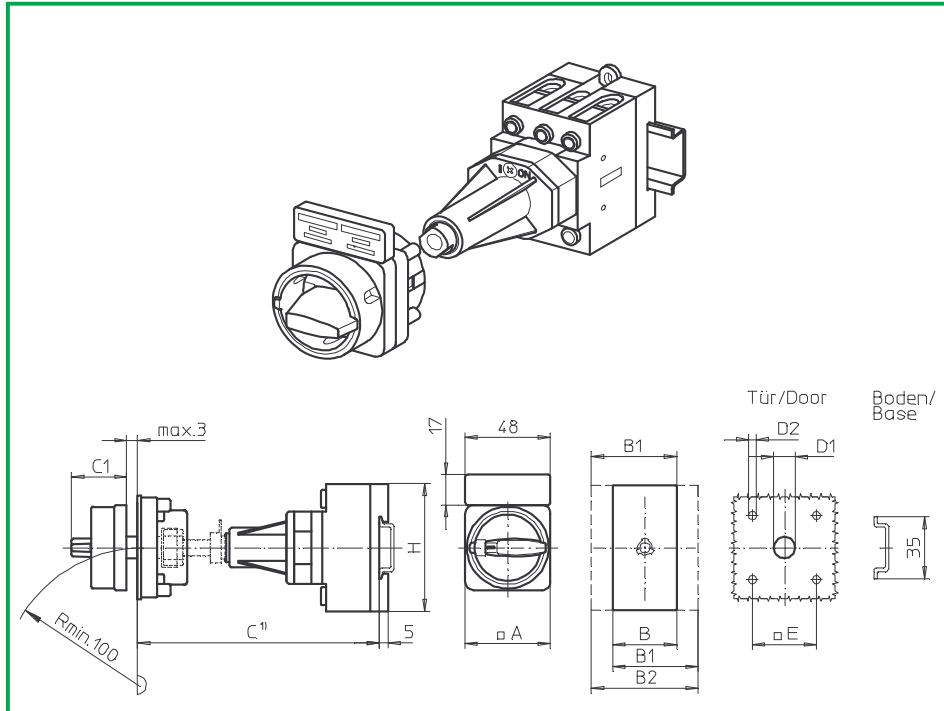
Mounting form module for 483V.	H400-A/ -D	<b>BFA4 - 481</b> <b>4AV1 - 09</b>
V-operator module 64 x 64 mm, mounting form 483V1		
Escutcheon black, handle black		
Legend plate silver, operator module 483V1		<b>FAS4 - 9...</b> (FA number)
V-operator module 64 x 64 mm, mounting form 483V4		<b>4AV4 - 09</b>
Escutcheon black, handle red		
Legend plate yellow, operator module 483V4		<b>FBS4 - 9...</b> (FA number)
additional top escutcheon plate		<b>FAZ2 - 8041</b>
Terminal cover, 3 pole	H400-A 1x / -D 2x	<b>TCA4</b>
Terminal cover, each additional single pole	H400-A/ -D	<b>TCB4</b>

## Dimensions (mm)

Product lines	A	B	B1	B2	C1	D1	D2	E	H
H400-A	64	70	89	108	40	15	5	48	80
H400-D	64	140	159	178	40	15	5	48	80

C<sup>1)</sup> Internal depth, inside of door to top of DIN rail. Metal shaft is not included. Please order separately. See page B8-8.

# Base Mounting Switches



**Product lines**  
H400-A/ -D

**Base mounting switch**

**Door interlock**  
Metal shaft extension

**Four hole mounting**  
48 x 48 mm front

**435M1 (IP66)**  
**435M4 (IP66)**

Complete switch	Poles	Product line	Rated data (IEC 60947)			Order code number
			Operational current I <sub>e</sub>	Operational power at 380–440 V		
			AC-21A A	AC-23A kW	AC-3 kW	
Main Switches OFF position padlockable 09h	3 ... 8	H400-A/ -D	63	22	18,5	H406 - 41 ... - 435M1
			80	30	22	H408 - 41 ... - 435M1
			100	37	30	H410 - 41 ... - 435M1
			125	45	37	H412 - 41 ... - 435M1
Main/Emergency-Off Switches OFF position padlockable 09h	3 ... 8	H400-A/ -D	63	22	18,5	H406 - 41 ... - 435M4
			80	30	22	H408 - 41 ... - 435M4
			100	37	30	H410 - 41 ... - 435M4
			125	45	37	H412 - 41 ... - 435M4

## SMD modules for basic switch A02

Mounting form module for 435M.	H400-A/ -D	BFA4 - 435
M-padlock device 67 x 67 mm, mounting form 435M1 Escutcheon black, padlockable handle black		4BM1
M-padlock device 67 x 67 mm, mounting form 435M4 Escutcheon yellow, padlockable handle red		4BM4
Additional top escutcheon plate		FAZ2 - 8041
Terminal cover, 3 pole	H400-A 1x / -D 2x	TCA4
Terminal cover, each additional single pole	H400-A/ -D	TCB4

## Dimensions (mm)

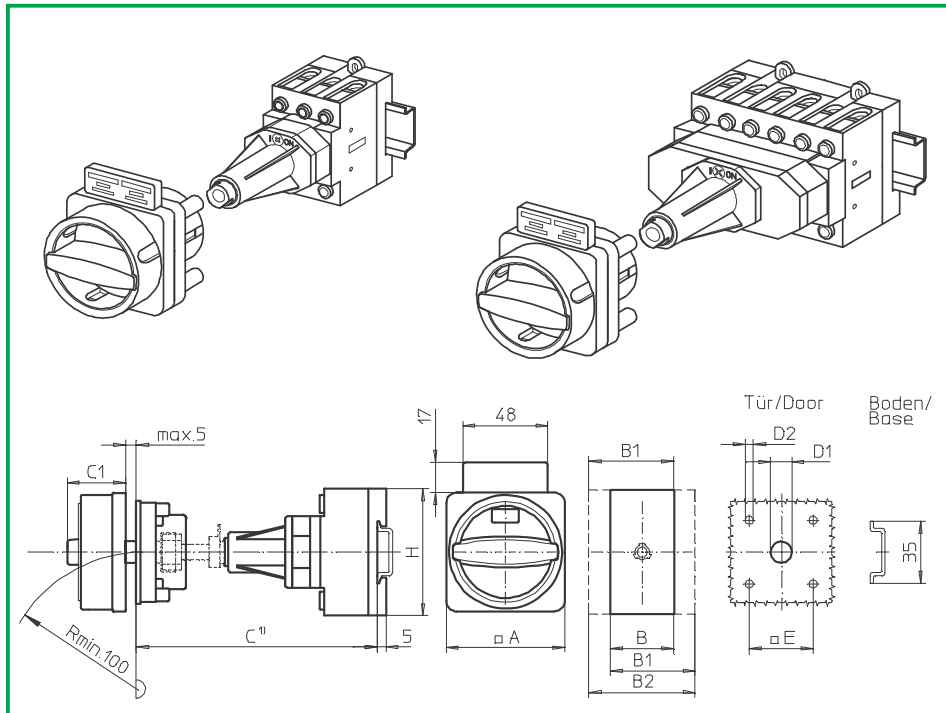
Product lines	A	B	B1	B2	C1	D1	D2	E	H
H400-A	67	70	89	108	38	15	5	48	80
H400-D	67	140	159	178	38	15	5	48	80

C<sup>1)</sup> Internal depth, inside of door to top of DIN rail. Metal shaft is not included. Please order separately. See page B8-8.



# Base Mounting Switches

**sälzer**



**Product lines**  
H400-A/ -D

**Base mounting switch**

**Door interlock**  
Metal shaft extension

**Four hole mounting**  
48 x 48 mm front

**435N1 (IP66)**  
**435N4 (IP66)**

Complete switch	Poles	Product line	Rated data (IEC 60947)			Order code number
			Operational current I <sub>e</sub>	Operational power at 380–440 V		
			AC-21A A	AC-23A kW	AC-3 kW	
Main Switches OFF position padlockable 09h	3 ... 8	H400-A/ -D	63	22	18,5	H406 - 41 ... - 435N1
			80	30	22	H408 - 41 ... - 435N1
			100	37	30	H410 - 41 ... - 435N1
			125	45	37	H412 - 41 ... - 435N1
Main/Emergency-Off Switches OFF position padlockable 09h	3 ... 8	H400-A/ -D	63	22	18,5	H406 - 41 ... - 435N4
			80	30	22	H408 - 41 ... - 435N4
			100	37	30	H410 - 41 ... - 435N4
			125	45	37	H412 - 41 ... - 435N4

## SMD modules for basic switch A02

Mounting form module for 435N.	H400-A/ -D	BFA4 - 435
N-padlock device 67 x 67 mm, mounting form 435N1 Escutcheon black, padlockable handle black		4BN1
N-padlock device 67 x 67 mm, mounting form 435N4 Escutcheon yellow, padlockable handle red		4BN4
Additional top escutcheon plate		FAZ2 - 8041
Terminal cover, 3 pole	H400-A 1x / -D 2x	TCA4
Terminal cover, each additional single pole	H400-A/ -D	TCB4

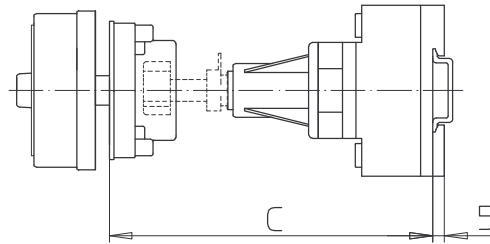
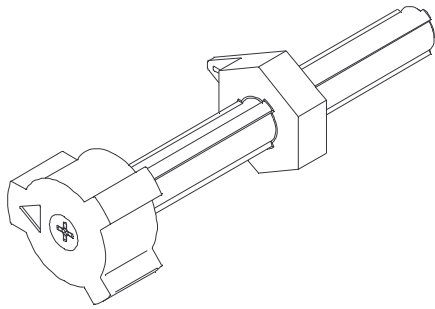
## Dimensions (mm)

Product lines	A	B	B1	B2	C1	D1	D2	E	H
H400-A	67	70	89	108	33	15	5	48	80
H400-D	67	140	159	178	33	15	5	48	80

C<sup>1)</sup> Internal depth, inside of door to top of DIN rail. Metal shaft is not included. Please order separately. See page B8-8.

# Metal shaft extension

**sälzer**



**Product lines**  
H400-A/ -D/ -E

**Base mounting switch**

**Door interlock**  
Metal shaft extension

**Four hole mounting**  
front

**AVB8 - . . .**

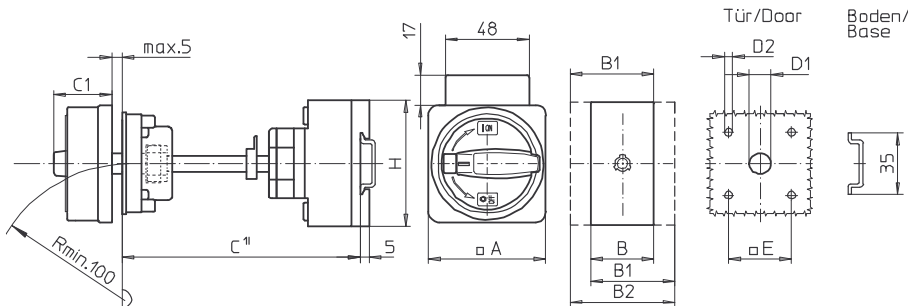
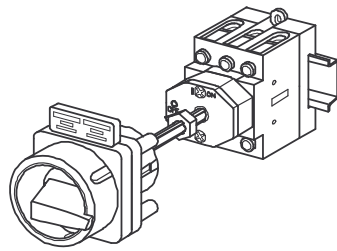
## Metal shaft extension for mounting forms with door interlock and four hole mounting front

Dimension C (Internal depth, inside of door to top of DIN rail)

H400-A	H400-D/ -E	Order code number
150 . . . 174mm	163 . . . 187 mm	AVB8 - 065
175 . . . 199mm	188 . . . 212 mm	AVB8 - 090
200 . . . 224mm	213 . . . 237 mm	AVB8 - 115
225 . . . 249 mm	238 . . . 262 mm	AVB8 - 140
250 . . . 274 mm	263 . . . 287 mm	AVB8 - 165
275 . . . 299 mm	288 . . . 312 mm	AVB8 - 190
300 . . . 324 mm	313 . . . 337 mm	AVB8 - 215
325 . . . 349 mm	338 . . . 362 mm	AVB8 - 240
350 . . . 374 mm	363 . . . 387 mm	AVB8 - 265
375 . . . 399 mm	388 . . . 412 mm	AVB8 - 290
400 . . . 424 mm	413 . . . 437 mm	AVB8 - 315
425 . . . 449 mm	438 . . . 462 mm	AVB8 - 340
450 . . . 474 mm	463 . . . 487 mm	AVB8 - 365
475 . . . 499 mm	488 . . . 512 mm	AVB8 - 390
500 . . . 524 mm	513 . . . 537 mm	AVB8 - 415
525 . . . 549 mm	538 . . . 562 mm	AVB8 - 440
550 . . . 574 mm	563 . . . 587 mm	AVB8 - 465
575 . . . 599 mm	588 . . . 612 mm	AVB8 - 490
600 . . . 624 mm	613 . . . 637 mm	AVB8 - 515
625 . . . 649 mm	638 . . . 662 mm	AVB8 - 540

# Base Mounting Switches

# sälzer



**Product line**  
**H400-A**

**Base mounting switch**

**Door interlock**

Metal shaft extension with fixed metal shaft, C = 105 mm

**Four hole mounting**

48 x 48 mm front

**487M1 (IP66)**

**487M4 (IP66)**

Complete switch	Poles	Product line	Rated data (IEC 60947)			Order code number
			Operational current I <sub>e</sub>	Operational power at 380–440 V		
			AC-21A A	AC-23A kW	AC-3 kW	
Main Switches OFF position padlockable 09h	3 ... 4	H400-A	63	22	18,5	<b>H406 - 41 ... - 487M1</b>
			80	30	22	<b>H408 - 41 ... - 487M1</b>
			100	37	30	<b>H410 - 41 ... - 487M1</b>
			125	45	37	<b>H412 - 41 ... - 487M1</b>
Main/Emergency-Off Switches OFF position padlockable 09h	3 ... 4	H400-A	63	22	18,5	<b>H406 - 41 ... - 487M4</b>
			80	30	22	<b>H408 - 41 ... - 487M4</b>
			100	37	30	<b>H410 - 41 ... - 487M4</b>
			125	45	37	<b>H412 - 41 ... - 487M4</b>

### SMD modules for basic switch A02

Mounting form module for 487M.	H400-A	<b>BFA4 - 487</b>
M-padlock device 88 x 88 mm, mounting form 487M1 Escutcheon black, padlockable handle black		<b>4CM1</b>
M-padlock device 88 x 88 mm, mounting form 487M4 Escutcheon yellow, padlockable handle red		<b>4CM4</b>
Additional top escutcheon plate		<b>FAZ2 - 8041</b>
Terminal cover, 3 pole	H400-A 1x	<b>TCA4</b>
Terminal cover, each additional single pole	H400-A	<b>TCB4</b>

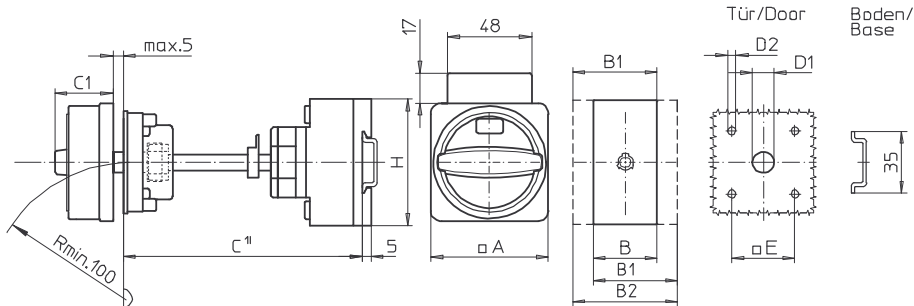
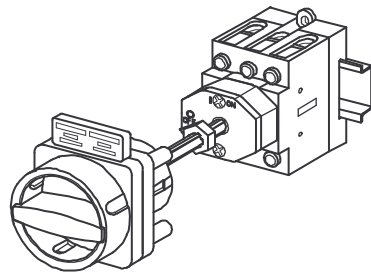
### Dimensions (mm)

Product line	A	B	B1	B2	C	C1	D1	D2	E	H
H400-A	88	70	89	108	105	50	15	5	48	80

C<sup>1)</sup> Internal depth, inside of door to top of DIN rail.

# Base Mounting Switches

**sälzer**



**Product line  
H400-A**

**Base mounting switch**

**Door interlock**

Metal shaft extension with fixed metal shaft, C = 105 mm

**Four hole mounting**

48 x 48 mm front

**487N1 (IP66)**

**487N4 (IP66)**

Complete switch	Poles	Product line	Rated data (IEC 60947)			Order code number
			Operational current I <sub>e</sub>	Operational power at 380–440 V		
			AC-21A A	AC-23A kW	AC-3 kW	
Main Switches OFF position padlockable 09h	3 ... 4	H400-A	63	22	18,5	<b>H406 - 41 ... - 487N1</b>
			80	30	22	<b>H408 - 41 ... - 487N1</b>
			100	37	30	<b>H410 - 41 ... - 487N1</b>
			125	45	37	<b>H412 - 41 ... - 487N1</b>
Main/Emergency-Off Switches OFF position padlockable 09h	3 ... 4	H400-A	63	22	18,5	<b>H406 - 41 ... - 487N4</b>
			80	30	22	<b>H408 - 41 ... - 487N4</b>
			100	37	30	<b>H410 - 41 ... - 487N4</b>
			125	45	37	<b>H412 - 41 ... - 487N4</b>

**SMD modules for basic switch A02**

Mounting form module for 487N.	H400-A	<b>BFA4 - 487 4CN1</b>
N-padlock device 88 x 88 mm, mounting form 487N1 Escutcheon black, padlockable handle black		<b>4CN4</b>
N-padlock device 88 x 88 mm, mounting form 487N4 Escutcheon yellow, padlockable handle red		<b>FAZ2 - 8041</b>
Additional top escutcheon plate		<b>TCA4</b>
Terminal cover, 3 pole	H400-A 1x	<b>TCB4</b>
Terminal cover, each additional single pole	H400-A	

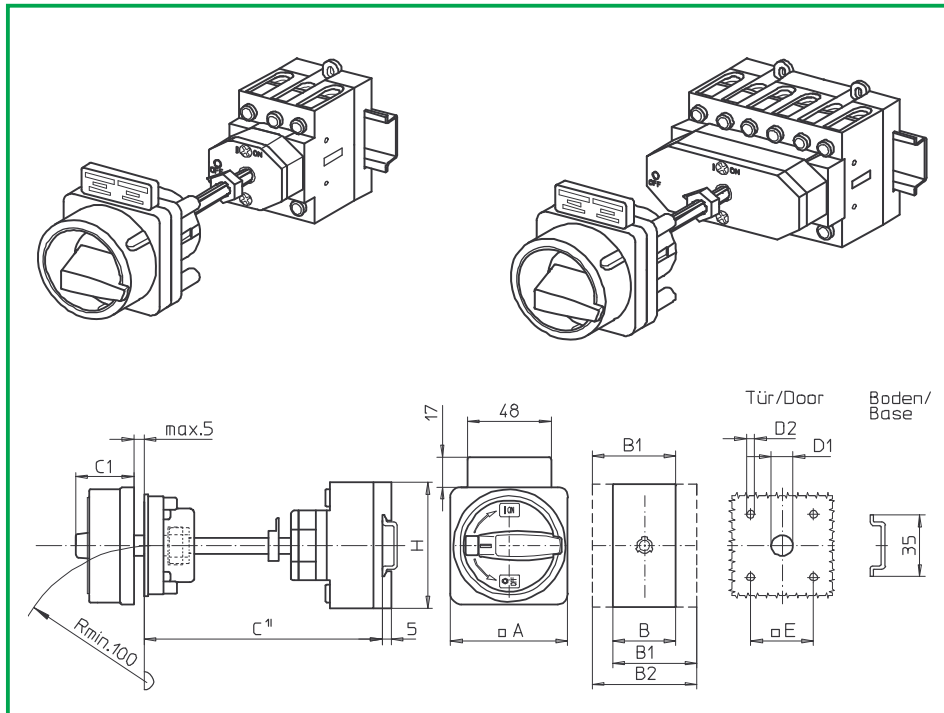
**Dimensions (mm)**

Product line	A	B	B1	B2	C	C1	D1	D2	E	H
H400-A	88	70	89	108	105	45	15	5	48	80

C<sup>1)</sup> Internal depth, inside of door to top of DIN rail.

# Base Mounting Switches

# sälzer



**Product lines**  
H400-A/ -D

**Base mounting switch**

**Door interlock**

Metal shaft extension with fixed metal shaft, C = 110 mm

**Four hole mounting**

48 x 48 mm front

**488M1 (IP66)**

**488M4 (IP66)**

Complete switch	Poles	Product line	Rated data (IEC 60947)			Order code number
			Operational current I <sub>e</sub>	Operational power at 380–440 V		
			AC-21A A	AC-23A kW	AC-3 kW	
Main Switches OFF position padlockable 09h	3 ... 8	H400-A/ -D	63	22	18,5	H406 - 41 ... - 488M1
			80	30	22	H408 - 41 ... - 488M1
			100	37	30	H410 - 41 ... - 488M1
			125	45	37	H412 - 41 ... - 488M1
Main/Emergency-Off Switches OFF position padlockable 09h	3 ... 8	H400-A/ -D	63	22	18,5	H406 - 41 ... - 488M4
			80	30	22	H408 - 41 ... - 488M4
			100	37	30	H410 - 41 ... - 488M4
			125	45	37	H412 - 41 ... - 488M4

## SMD modules for basic switch A02

Mounting form module for 488M.

H400-A  
H400-D

BFA4 - 488  
BFB4 - 488

M-padlock device 88 x 88 mm, mounting form 488M1  
Escutcheon black, padlockable handle black

4CM1

M-padlock device 88 x 88 mm, mounting form 488M4  
Escutcheon yellow, padlockable handle red

4CM4

Additional top escutcheon plate

FAZ2 - 8041

Terminal cover, 3 pole

H400-A 1x / -D 2x

TCA4

Terminal cover, each additional single pole

H400-A/ -D

TCB4

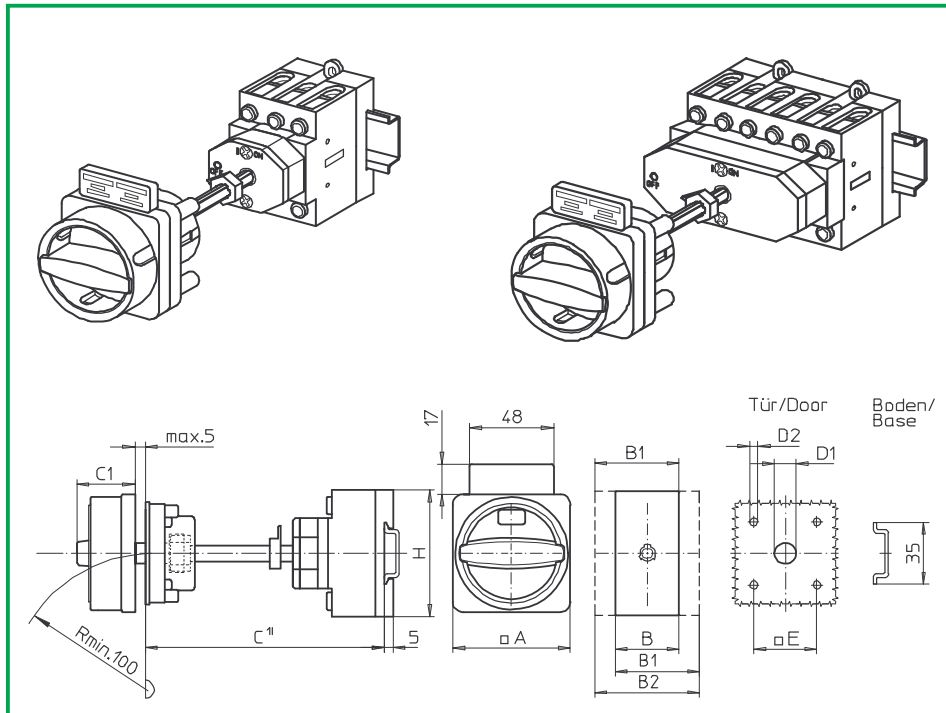
## Dimensions (mm)

Product lines	A	B	B1	B2	C	C1	D1	D2	E	H
H400-A	88	70	89	108	110	50	15	5	48	80
H400-D	88	140	159	178	110	50	15	5	48	80

C<sup>1)</sup> Internal depth, inside of door to top of DIN rail.

# Base Mounting Switches

# sälzer



**Product lines**  
H400-A/ -D

**Base mounting switch**

**Door interlock**

Metal shaft extension with fixed metal shaft, C = 110 mm

**Four hole mounting**

48 x 48 mm front

**488N1 (IP66)**

**488N4 (IP66)**

Complete switch	Poles	Product line	Rated data (IEC 60947)			Order code number
			Operational current I <sub>e</sub>	Operational power at 380–440 V		
			AC-21A A	AC-23A kW	AC-3 kW	
Main Switches OFF position padlockable 09h	3 ... 8	H400-A/ -D	63	22	18,5	H406 - 41 ... - 488N1
			80	30	22	H408 - 41 ... - 488N1
			100	37	30	H410 - 41 ... - 488N1
			125	45	37	H412 - 41 ... - 488N1
Main/Emergency-Off Switches OFF position padlockable 09h	3 ... 8	H400-A/ -D	63	22	18,5	H406 - 41 ... - 488N4
			80	30	22	H408 - 41 ... - 488N4
			100	37	30	H410 - 41 ... - 488N4
			125	45	37	H412 - 41 ... - 488N4

### SMD modules for basic switch A02

Mounting form module for 488N.

H400-A  
H400-D

BFA4 - 488  
BFB4 - 488

N-padlock device 88 x 88 mm, mounting form 488N1  
Escutcheon black, padlockable handle black

4CN1

N-padlock device 88 x 88 mm, mounting form 488N4  
Escutcheon yellow, padlockable handle red

4CN4

Additional top escutcheon plate

FAZ2 - 8041

Terminal cover, 3 pole

H400-A 1x / -D 2x

TCA4

Terminal cover, each additional single pole

H400-A/ -D

TCB4

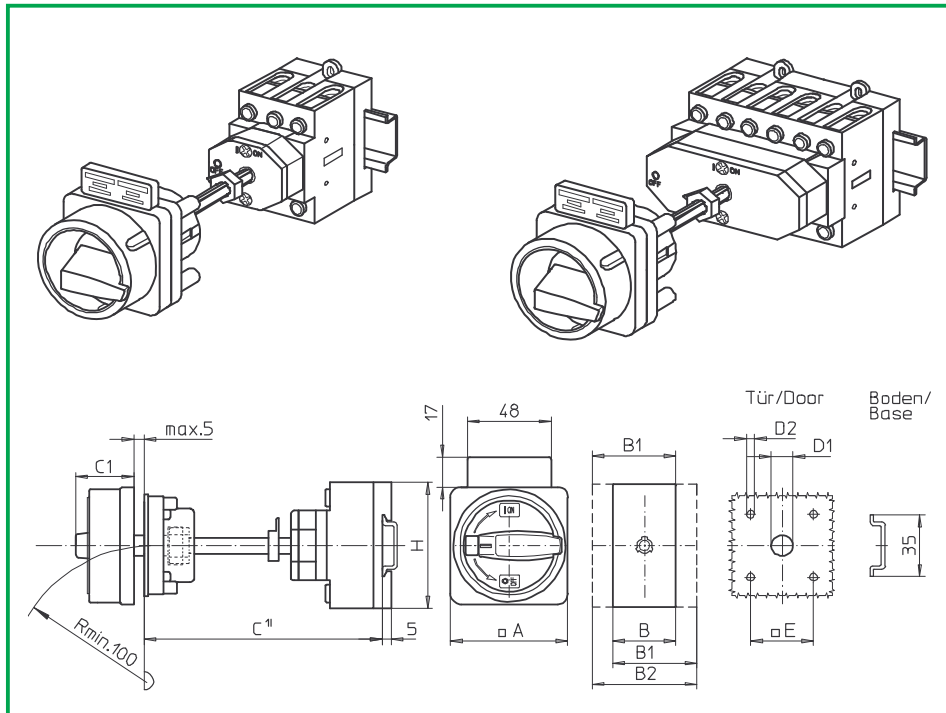
### Dimensions (mm)

Product lines	A	B	B1	B2	C	C1	D1	D2	E	H
H400-A	88	70	89	108	110	45	15	5	48	80
H400-D	88	140	159	178	110	45	15	5	48	80

C<sup>1)</sup> Internal depth, inside of door to top of DIN rail.

# Base Mounting Switches

**sälzer**



**Product lines  
H400-A/ -D**

**Base mounting switch**

**Door interlock**

Metal shaft extension with fixed metal shaft, C = 115 mm

**Four hole mounting**

48 x 48 mm front

**489M1 (IP66)**

**489M4 (IP66)**

Complete switch	Poles	Product line	Rated data (IEC 60947)			Order code number
			Operational current I <sub>e</sub>	Operational power at 380–440 V		
			AC-21A A	AC-23A kW	AC-3 kW	
Main Switches OFF position padlockable 09h	3 ... 8	H400-A/ -D	63	22	18,5	<b>H406 - 41 ... - 489M1</b>
			80	30	22	<b>H408 - 41 ... - 489M1</b>
			100	37	30	<b>H410 - 41 ... - 489M1</b>
			125	45	37	<b>H412 - 41 ... - 489M1</b>
Main/Emergency-Off Switches OFF position padlockable 09h	3 ... 8	H400-A/ -D	63	22	18,5	<b>H406 - 41 ... - 489M4</b>
			80	30	22	<b>H408 - 41 ... - 489M4</b>
			100	37	30	<b>H410 - 41 ... - 489M4</b>
			125	45	37	<b>H412 - 41 ... - 489M4</b>

## SMD modules for basic switch A02

Mounting form module for 489M.

H400-A  
H400-D

**BFA4 - 489**  
**BFB4 - 489**

M-padlock device 88 x 88 mm, mounting form 489M1  
Escutcheon black, padlockable handle black

**4CM1**

M-padlock device 88 x 88 mm, mounting form 489M4  
Escutcheon yellow, padlockable handle red

**4CM4**

Additional top escutcheon plate

**FAZ2 - 8041**

Terminal cover, 3 pole

H400-A 1x / -D 2x

**TCA4**

Terminal cover, each additional single pole

H400-A/ -D

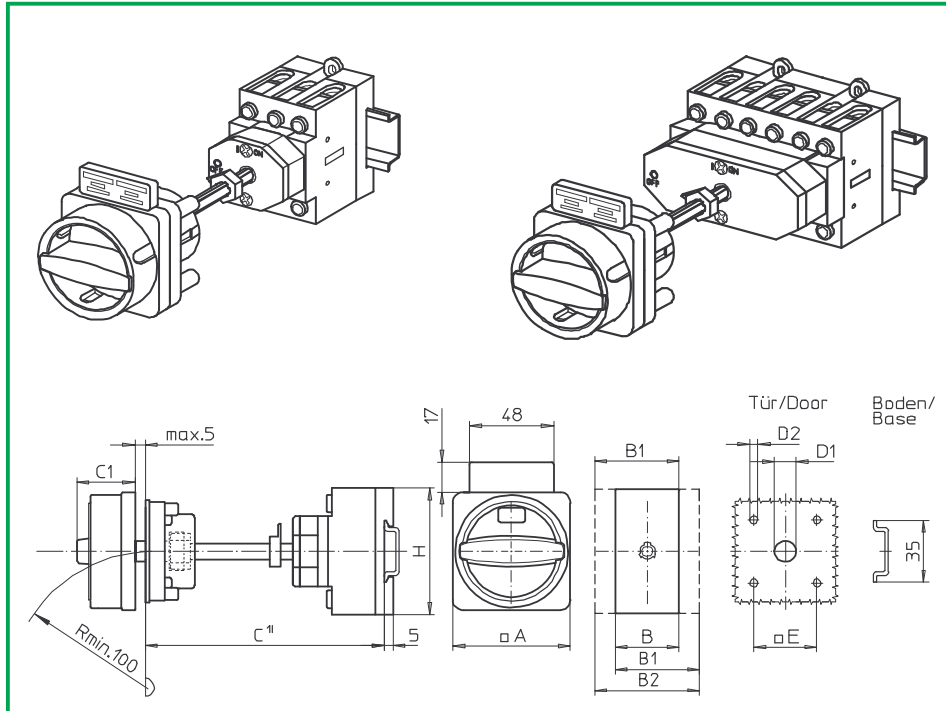
**TCB4**

## Dimensions (mm)

Product lines	A	B	B1	B2	C	C1	D1	D2	E	H
H400-A	88	70	89	108	115	50	15	5	48	80
H400-D	88	140	159	178	115	50	15	5	48	80

C<sup>1)</sup> Internal depth, inside of door to top of DIN rail.

# Base Mounting Switches



**Product lines**  
H400-A/ -D

**Base mounting switch**

**Door interlock**

Metal shaft extension with fixed metal shaft, C = 115 mm

**Four hole mounting**

48 x 48 mm front

**489N1 (IP66)**

**489N4 (IP66)**

Complete switch	Poles	Product line	Rated data (IEC 60947)			Order code number
			Operational current I <sub>e</sub>	Operational power at 380–440 V		
			AC-21A A	AC-23A kW	AC-3 kW	
Main Switches OFF position padlockable 09h	3 ... 8	H400-A/ -D	63	22	18,5	H406 - 41 ... - 489N1
			80	30	22	H408 - 41 ... - 489N1
			100	37	30	H410 - 41 ... - 489N1
			125	45	37	H412 - 41 ... - 489N1
Main/Emergency-Off Switches OFF position padlockable 09h	3 ... 8	H400-A/ -D	63	22	18,5	H406 - 41 ... - 489N4
			80	30	22	H408 - 41 ... - 489N4
			100	37	30	H410 - 41 ... - 489N4
			125	45	37	H412 - 41 ... - 489N4

SMD modules for basic switch A02		
Mounting form module for 489N.	H400-A H400-D	BFA4 - 489 BFB4 - 489
N-padlock device 88 x 88 mm, mounting form 489N1 Escutcheon black, padlockable handle black		4CN1
N-padlock device 88 x 88 mm, mounting form 489N4 Escutcheon yellow, padlockable handle red		4CN4
Additional top escutcheon plate		FAZ2 - 8041
Terminal cover, 3 pole	H400-A 1x / -D 2x	TCA4
Terminal cover, each additional single pole	H400-A/ -D	TCB4

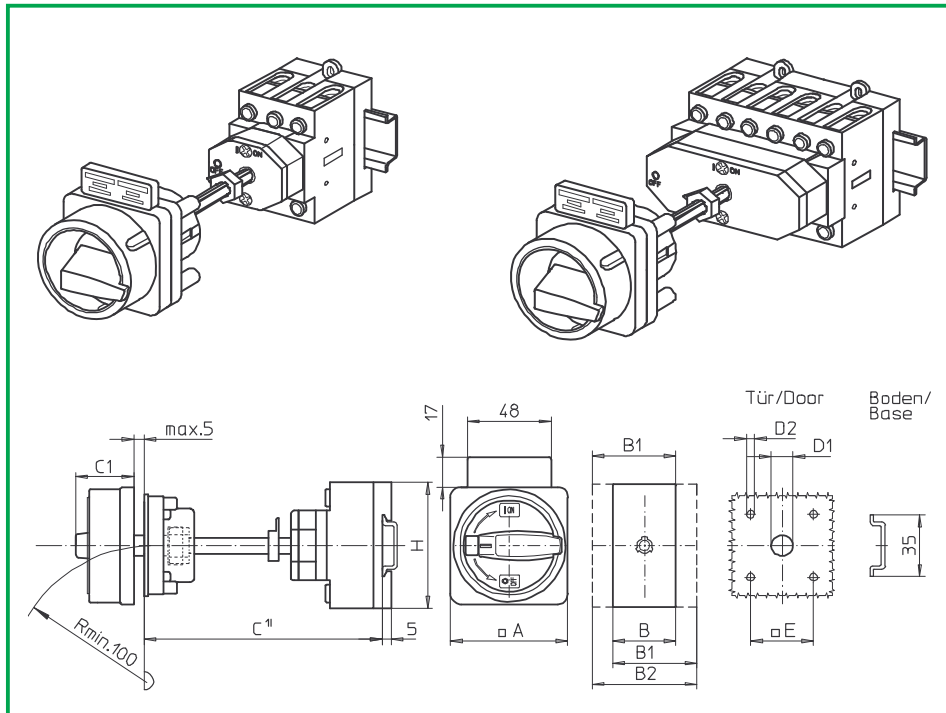
Dimensions (mm)										
Product lines	A	B	B1	B2	C	C1	D1	D2	E	H
H400-A	88	70	89	108	115	45	15	5	48	80
H400-D	88	140	159	178	115	45	15	5	48	80

C<sup>1)</sup> Internal depth, inside of door to top of DIN rail.



# Base Mounting Switches

# sälzer



**Product lines**  
H400-A/ -D

**Base mounting switch**

**Door interlock**

Metal shaft extension with fixed metal shaft, C = 120 mm

**Four hole mounting**

48 x 48 mm front

**490M1 (IP66)**

**490M4 (IP66)**

Complete switch	Poles	Product line	Rated data (IEC 60947)			Order code number
			Operational current I <sub>e</sub>	Operational power at 380–440 V		
			AC-21A A	AC-23A kW	AC-3 kW	
Main Switches OFF position padlockable 09h	3 ... 8	H400-A/ -D	63	22	18,5	H406 - 41 ... - 490M1
			80	30	22	H408 - 41 ... - 490M1
			100	37	30	H410 - 41 ... - 490M1
			125	45	37	H412 - 41 ... - 490M1
Main/Emergency-Off Switches OFF position padlockable 09h	3 ... 8	H400-A/ -D	63	22	18,5	H406 - 41 ... - 490M4
			80	30	22	H408 - 41 ... - 490M4
			100	37	30	H410 - 41 ... - 490M4
			125	45	37	H412 - 41 ... - 490M4

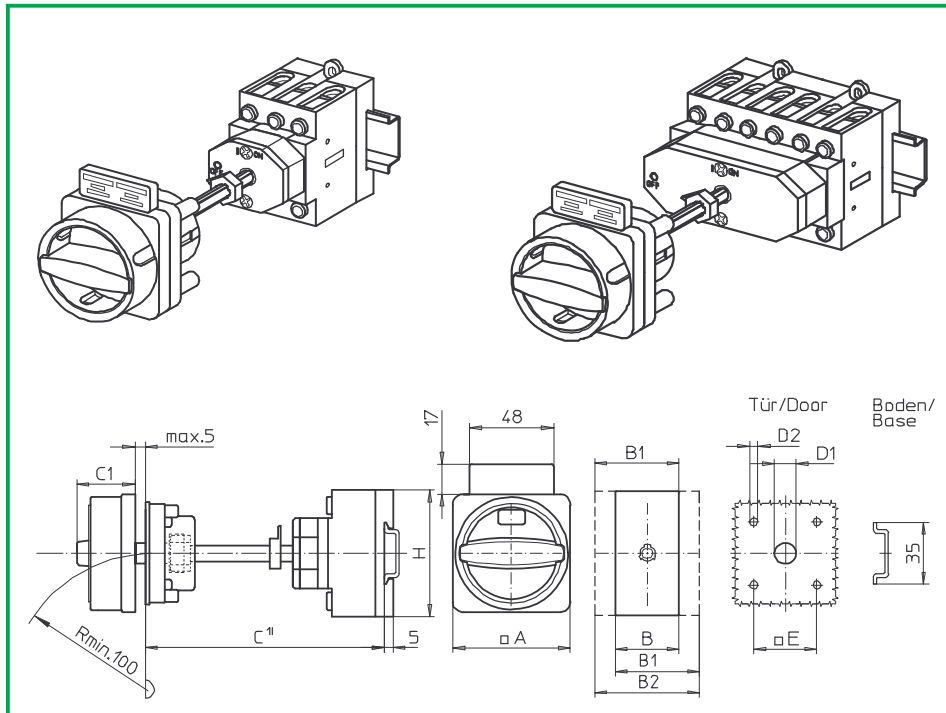
SMD modules for basic switch A02		
Mounting form module for 490M.	H400-A H400-D	BFA4 - 490 BFB4 - 490
M-padlock device 88 x 88 mm, mounting form 490M1 Escutcheon black, padlockable handle black		4CM1
M-padlock device 88 x 88 mm, mounting form 490M4 Escutcheon yellow, padlockable handle red		4CM4
Additional top escutcheon plate		FAZ2 - 8041
Terminal cover, 3 pole	H400-A 1x / -D 2x	TCA4
Terminal cover, each additional single pole	H400-A/ -D	TCB4

Dimensions (mm)										
Product lines	A	B	B1	B2	C	C1	D1	D2	E	H
H400-A	88	70	89	108	120	50	15	5	48	80
H400-D	88	140	159	178	120	50	15	5	48	80

C<sup>1</sup>) Internal depth, inside of door to top of DIN rail.

# Base Mounting Switches

# sälzer



**Product lines**  
H400-A/ -D

**Base mounting switch**

**Door interlock**

Metal shaft extension with fixed metal shaft, C = 120 mm

**Four hole mounting**

48 x 48 mm front

**490N1 (IP66)**

**490N4 (IP66)**

Complete switch	Poles	Product line	Rated data (IEC 60947)			Order code number
			Operational current I <sub>e</sub>	Operational power at 380–440 V		
			AC-21A A	AC-23A kW	AC-3 kW	
Main Switches OFF position padlockable 09h	3 ... 8	H400-A/ -D	63	22	18,5	H406 - 41 ... - 490N1
			80	30	22	H408 - 41 ... - 490N1
			100	37	30	H410 - 41 ... - 490N1
			125	45	37	H412 - 41 ... - 490N1
Main/Emergency-Off Switches OFF position padlockable 09h	3 ... 8	H400-A/ -D	63	22	18,5	H406 - 41 ... - 490N4
			80	30	22	H408 - 41 ... - 490N4
			100	37	30	H410 - 41 ... - 490N4
			125	45	37	H412 - 41 ... - 490N4

## SMD modules for basic switch A02

Mounting form module for 490N.

H400-A  
H400-D

BFA4 - 490  
BFB4 - 490

N-padlock device 88 x 88 mm, mounting form 490N1  
Escutcheon black, padlockable handle black

4CN1

N-padlock device 88 x 88 mm, mounting form 490N4  
Escutcheon yellow, padlockable handle red

4CN4

Additional top escutcheon plate

FAZ2 - 8041

Terminal cover, 3 pole

H400-A 1x / -D 2x

TCA4

Terminal cover, each additional single pole

H400-A/ -D

TCB4

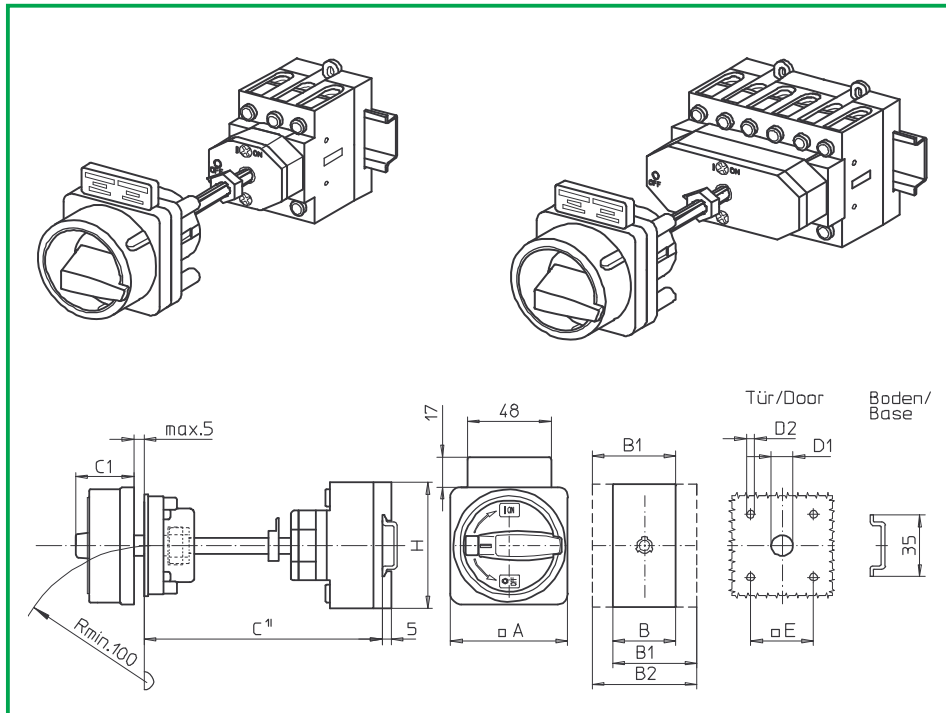
## Dimensions (mm)

Product lines	A	B	B1	B2	C	C1	D1	D2	E	H
H400-A	88	70	89	108	120	45	15	5	48	80
H400-D	88	140	159	178	120	45	15	5	48	80

C<sup>1)</sup> Internal depth, inside of door to top of DIN rail.

# Base Mounting Switches

# sälzer



**Product lines**  
H400-A/ -D

**Base mounting switch**

**Door interlock**

Metal shaft extension with fixed metal shaft, C = 125 mm

**Four hole mounting**

48 x 48 mm front

**491M1 (IP66)**

**491M4 (IP66)**

Complete switch	Poles	Product line	Rated data (IEC 60947)			Order code number
			Operational current I <sub>e</sub>	Operational power at 380–440 V		
			AC-21A A	AC-23A kW	AC-3 kW	
Main Switches OFF position padlockable 09h	3 ... 8	H400-A/ -D	63	22	18,5	<b>H406 - 41 ... - 491M1</b>
			80	30	22	<b>H408 - 41 ... - 491M1</b>
			100	37	30	<b>H410 - 41 ... - 491M1</b>
			125	45	37	<b>H412 - 41 ... - 491M1</b>
Main/Emergency-Off Switches OFF position padlockable 09h	3 ... 8	H400-A/ -D	63	22	18,5	<b>H406 - 41 ... - 491M4</b>
			80	30	22	<b>H408 - 41 ... - 491M4</b>
			100	37	30	<b>H410 - 41 ... - 491M4</b>
			125	45	37	<b>H412 - 41 ... - 491M4</b>

### SMD modules for basic switch A02

Mounting form module for 491M.

H400-A  
H400-D

**BFA4 - 491**  
**BFB4 - 491**

M-padlock device 88 x 88 mm, mounting form 491M1  
Escutcheon black, padlockable handle black

**4CM1**

M-padlock device 88 x 88 mm, mounting form 491M4  
Escutcheon yellow, padlockable handle red

**4CM4**

Additional top escutcheon plate

**FAZ2 - 8041**

Terminal cover, 3 pole

H400-A 1x / -D 2x

**TCA4**

Terminal cover, each additional single pole

H400-A/ -D

**TCB4**

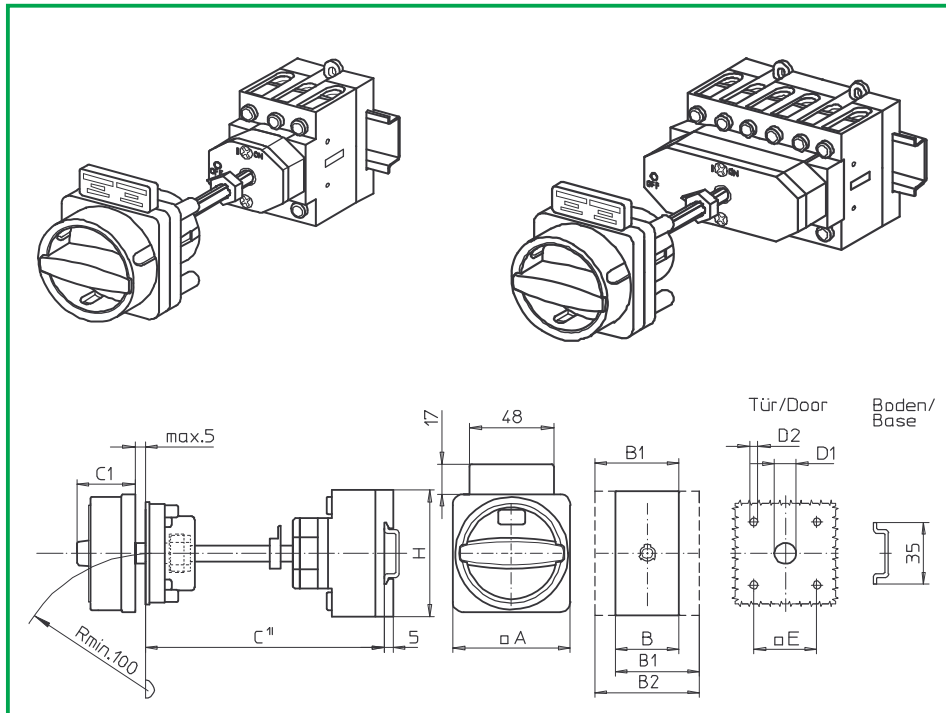
### Dimensions (mm)

Product lines	A	B	B1	B2	C	C1	D1	D2	E	H
H400-A	88	70	89	108	125	50	15	5	48	80
H400-D	88	140	159	178	125	50	15	5	48	80

C<sup>1)</sup> Internal depth, inside of door to top of DIN rail.

# Base Mounting Switches

**sälzer**



**Product lines**  
H400-A/ -D

**Base mounting switch**

**Door interlock**

Metal shaft extension with fixed metal shaft, C = 125 mm

**Four hole mounting**

48 x 48 mm front

**491N1 (IP66)**

**491N4 (IP66)**

Complete switch	Poles	Product line	Rated data (IEC 60947)			Order code number
			Operational current I <sub>e</sub>	Operational power at 380–440 V		
			AC-21A A	AC-23A kW	AC-3 kW	
Main Switches OFF position padlockable 09h	3 ... 8	H400-A/ -D	63	22	18,5	H406 - 41 ... - 491N1
			80	30	22	H408 - 41 ... - 491N1
			100	37	30	H410 - 41 ... - 491N1
			125	45	37	H412 - 41 ... - 491N1
Main/Emergency-Off Switches OFF position padlockable 09h	3 ... 8	H400-A/ -D	63	22	18,5	H406 - 41 ... - 491N4
			80	30	22	H408 - 41 ... - 491N4
			100	37	30	H410 - 41 ... - 491N4
			125	45	37	H412 - 41 ... - 491N4

## SMD modules for basic switch A02

Mounting form module for 491N.

H400-A  
H400-D

BFA4 - 491  
BFB4 - 491

N-padlock device 88 x 88 mm, mounting form 491N1  
Escutcheon black, padlockable handle black

4CN1

N-padlock device 88 x 88 mm, mounting form 491N4  
Escutcheon yellow, padlockable handle red

4CN4

Additional top escutcheon plate

FAZ2 - 8041

Terminal cover, 3 pole

H400-A 1x / -D 2x

TCA4

Terminal cover, each additional single pole

H400-A/ -D

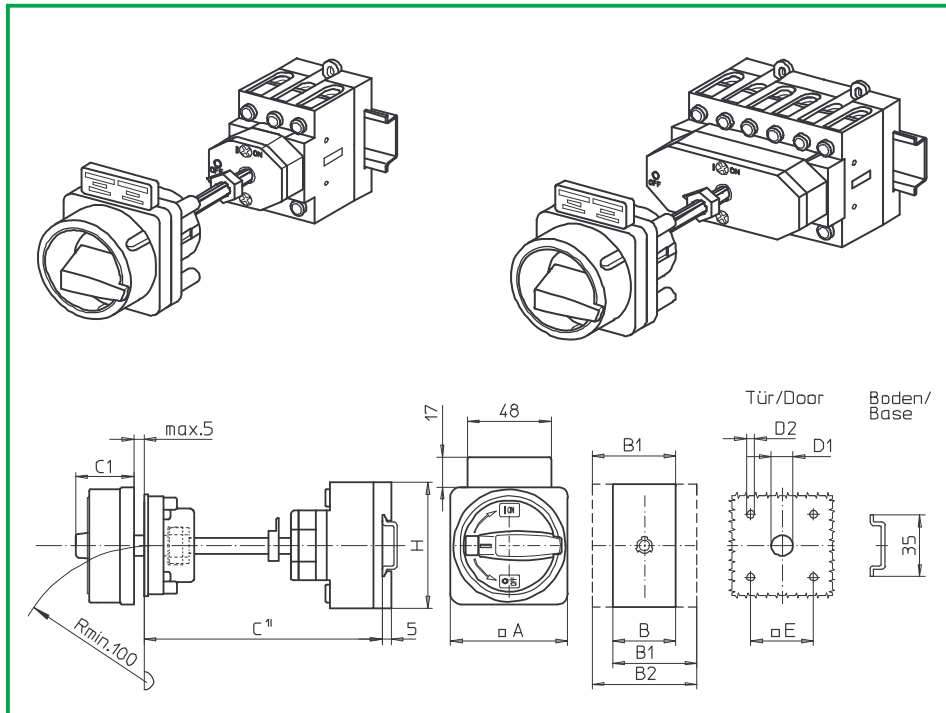
TCB4

## Dimensions (mm)

Product lines	A	B	B1	B2	C	C1	D1	D2	E	H
H400-A	88	70	89	108	125	45	15	5	48	80
H400-D	88	140	159	178	125	45	15	5	48	80

C<sup>1)</sup> Internal depth, inside of door to top of DIN rail.

# Base Mounting Switches



**Product lines**  
H400-A/ -D

**Base mounting switch**

**Door interlock**

Metal shaft extension with fixed metal shaft, C = 130 mm

**Four hole mounting**

48 x 48 mm front

**492M1 (IP66)**

**492M4 (IP66)**

Complete switch	Poles	Product line	Rated data (IEC 60947)			Order code number
			Operational current I <sub>e</sub>	Operational power at 380–440 V		
			AC-21A A	AC-23A kW	AC-3 kW	
Main Switches OFF position padlockable 09h	3 ... 8	H400-A/ -D	63	22	18,5	H406 - 41 ... - 492M1
			80	30	22	H408 - 41 ... - 492M1
			100	37	30	H410 - 41 ... - 492M1
			125	45	37	H412 - 41 ... - 492M1
Main/Emergency-Off Switches OFF position padlockable 09h	3 ... 8	H400-A/ -D	63	22	18,5	H406 - 41 ... - 492M4
			80	30	22	H408 - 41 ... - 492M4
			100	37	30	H410 - 41 ... - 492M4
			125	45	37	H412 - 41 ... - 492M4

## SMD modules for basic switch A02

Mounting form module for 492M.

H400-A  
H400-D

BFA4 - 492  
BFB4 - 492

M-padlock device 88 x 88 mm, mounting form 492M1  
Escutcheon black, padlockable handle black

4CM1

M-padlock device 88 x 88 mm, mounting form 492M4  
Escutcheon yellow, padlockable handle red

4CM4

Additional top escutcheon plate

FAZ2 - 8041

Terminal cover, 3 pole

H400-A 1x / -D 2x

TCA4

Terminal cover, each additional single pole

H400-A/ -D

TCB4

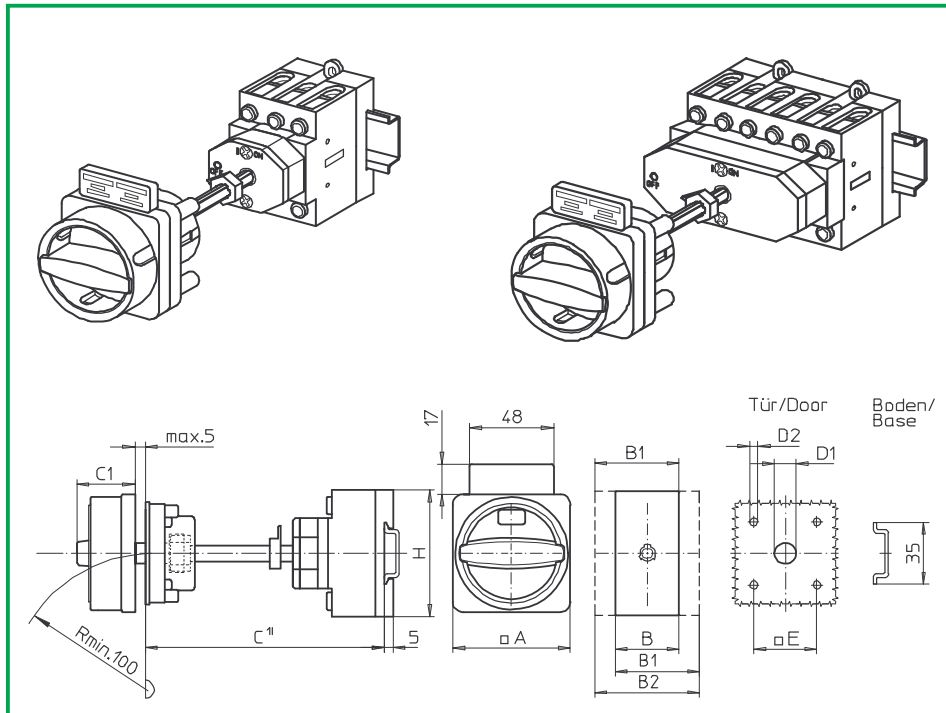
## Dimensions (mm)

Product lines	A	B	B1	B2	C	C1	D1	D2	E	H
H400-A	88	70	89	108	130	50	15	5	48	80
H400-D	88	140	159	178	130	50	15	5	48	80

C<sup>1)</sup> Internal depth, inside of door to top of DIN rail.

# Base Mounting Switches

**sälzer**



**Product lines**  
H400-A/ -D

**Base mounting switch**

**Door interlock**

Metal shaft extension with fixed metal shaft, C = 130 mm

**Four hole mounting**

48 x 48 mm front

**492N1 (IP66)**

**492N4 (IP66)**

Complete switch	Poles	Product line	Rated data (IEC 60947)			Order code number
			Operational current I <sub>e</sub>	Operational power at 380–440 V		
			AC-21A A	AC-23A kW	AC-3 kW	
Main Switches OFF position padlockable 09h	3 ... 8	H400-A/ -D	63	22	18,5	H406 - 41 ... - 492N1
			80	30	22	H408 - 41 ... - 492N1
			100	37	30	H410 - 41 ... - 492N1
			125	45	37	H412 - 41 ... - 492N1
Main/Emergency-Off Switches OFF position padlockable 09h	3 ... 8	H400-A/ -D	63	22	18,5	H406 - 41 ... - 492N4
			80	30	22	H408 - 41 ... - 492N4
			100	37	30	H410 - 41 ... - 492N4
			125	45	37	H412 - 41 ... - 492N4

## SMD modules for basic switch A02

Mounting form module for 492N.

H400-A  
H400-D

BFA4 - 492  
BFB4 - 492

N-padlock device 88 x 88 mm, mounting form 492N1  
Escutcheon black, padlockable handle black

4CN1

N-padlock device 88 x 88 mm, mounting form 492N4  
Escutcheon yellow, padlockable handle red

4CN4

Additional top escutcheon plate

FAZ2 - 8041

Terminal cover, 3 pole

H400-A 1x / -D 2x

TCA4

Terminal cover, each additional single pole

H400-A/ -D

TCB4

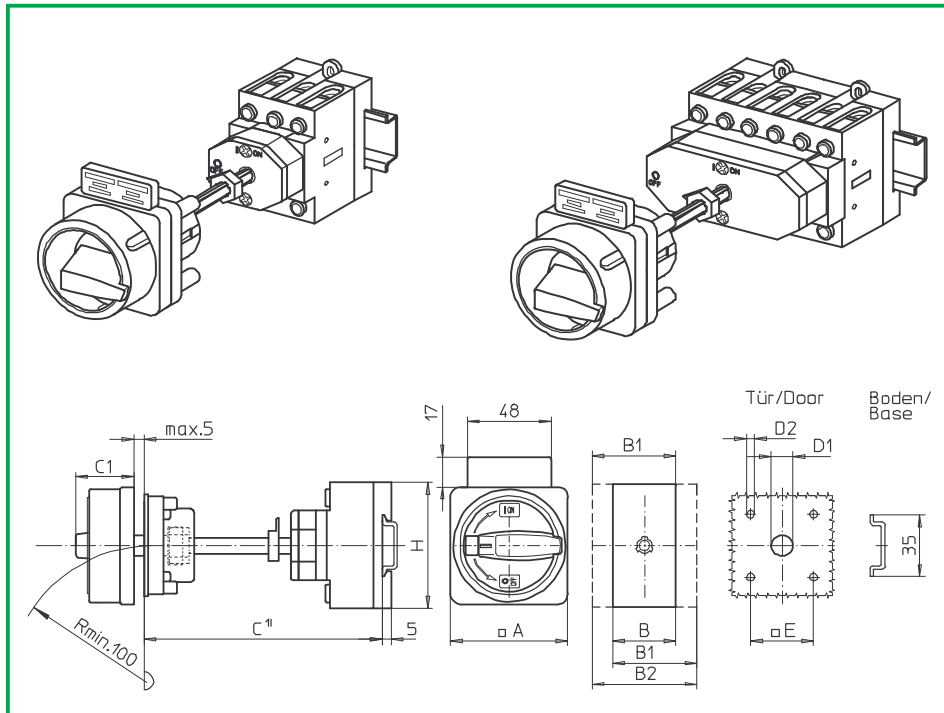
## Dimensions (mm)

Product lines	A	B	B1	B2	C	C1	D1	D2	E	H
H400-A	88	70	89	108	130	45	15	5	48	80
H400-D	88	140	159	178	130	45	15	5	48	80

C<sup>1)</sup> Internal depth, inside of door to top of DIN rail.

# Base Mounting Switches

# sälzer



**Product lines**  
H400-A/ -D

**Base mounting switch**

**Door interlock**

Metal shaft extension with fixed metal shaft, C = 135 mm

**Four hole mounting**

48 x 48 mm front

**493M1 (IP66)**

**493M4 (IP66)**

Complete switch	Poles	Product line	Rated data (IEC 60947)			Order code number
			Operational current I <sub>e</sub>	Operational power at 380–440 V		
			AC-21A A	AC-23A kW	AC-3 kW	
Main Switches OFF position padlockable 09h	3 ... 8	H400-A/ -D	63	22	18,5	H406 - 41 ... - 493M1
			80	30	22	H408 - 41 ... - 493M1
			100	37	30	H410 - 41 ... - 493M1
			125	45	37	H412 - 41 ... - 493M1
Main/Emergency-Off Switches OFF position padlockable 09h	3 ... 8	H400-A/ -D	63	22	18,5	H406 - 41 ... - 493M4
			80	30	22	H408 - 41 ... - 493M4
			100	37	30	H410 - 41 ... - 493M4
			125	45	37	H412 - 41 ... - 493M4

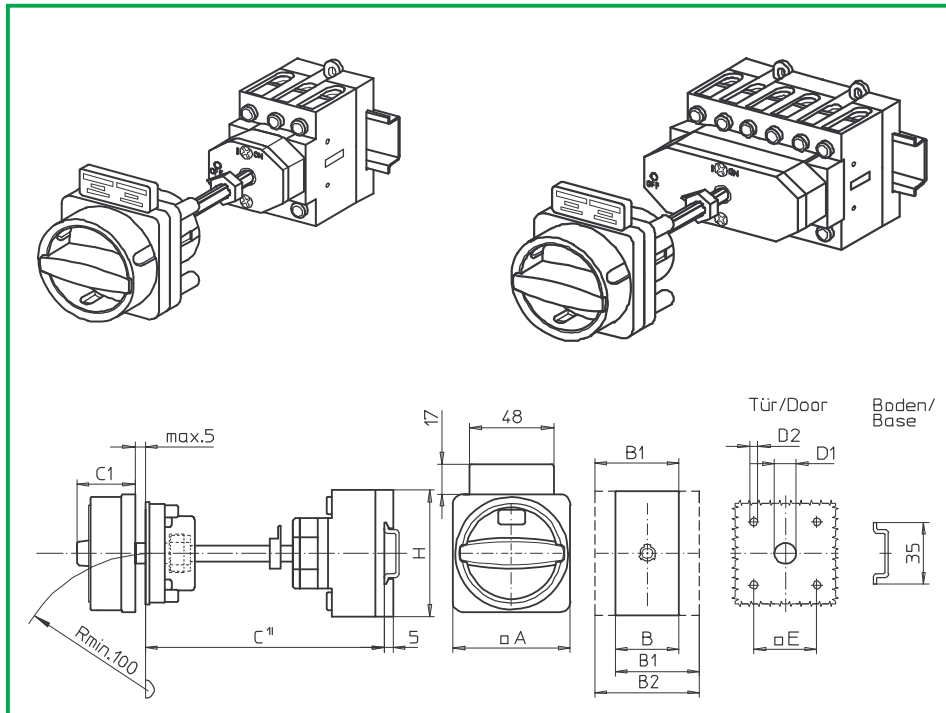
SMD modules for basic switch A02		
Mounting form module for 493M.	H400-A H400-D	BFA4 - 493 BFB4 - 493
M-padlock device 88 x 88 mm, mounting form 493M1 Escutcheon black, padlockable handle black		4CM1
M-padlock device 88 x 88 mm, mounting form 493M4 Escutcheon yellow, padlockable handle red		4CM4
Additional top escutcheon plate		FAZ2 - 8041
Terminal cover, 3 pole	H400-A 1x / -D 2x	TCA4
Terminal cover, each additional single pole	H400-A/ -D	TCB4

Dimensions (mm)										
Product lines	A	B	B1	B2	C	C1	D1	D2	E	H
H400-A	88	70	89	108	135	50	15	5	48	80
H400-D	88	140	159	178	135	50	15	5	48	80

C<sup>1</sup>) Internal depth, inside of door to top of DIN rail.

# Base Mounting Switches

**sälzer**



**Product lines**  
H400-A/ -D

**Base mounting switch**

**Door interlock**

Metal shaft extension with fixed metal shaft, C = 135 mm

**Four hole mounting**

48 x 48 mm front

**493N1 (IP66)**

**493N4 (IP66)**

Complete switch	Poles	Product line	Rated data (IEC 60947)			Order code number
			Operational current I <sub>e</sub>	Operational power at 380–440 V		
			AC-21A A	AC-23A kW	AC-3 kW	
Main Switches OFF position padlockable 09h	3 ... 8	H400-A/ -D	63	22	18,5	H406 - 41 ... - 493N1
			80	30	22	H408 - 41 ... - 493N1
			100	37	30	H410 - 41 ... - 493N1
			125	45	37	H412 - 41 ... - 493N1
Main/Emergency-Off Switches OFF position padlockable 09h	3 ... 8	H400-A/ -D	63	22	18,5	H406 - 41 ... - 493N4
			80	30	22	H408 - 41 ... - 493N4
			100	37	30	H410 - 41 ... - 493N4
			125	45	37	H412 - 41 ... - 493N4

## SMD modules for basic switch A02

Mounting form module for 493N.

H400-A  
H400-D

BFA4 - 493  
BFB4 - 493

N-padlock device 88 x 88 mm, mounting form 493N1  
Escutcheon black, padlockable handle black

4CN1

N-padlock device 88 x 88 mm, mounting form 493N4  
Escutcheon yellow, padlockable handle red

4CN4

Additional top escutcheon plate

FAZ2 - 8041

Terminal cover, 3 pole

H400-A 1x / -D 2x

TCA4

Terminal cover, each additional single pole

H400-A/ -D

TCB4

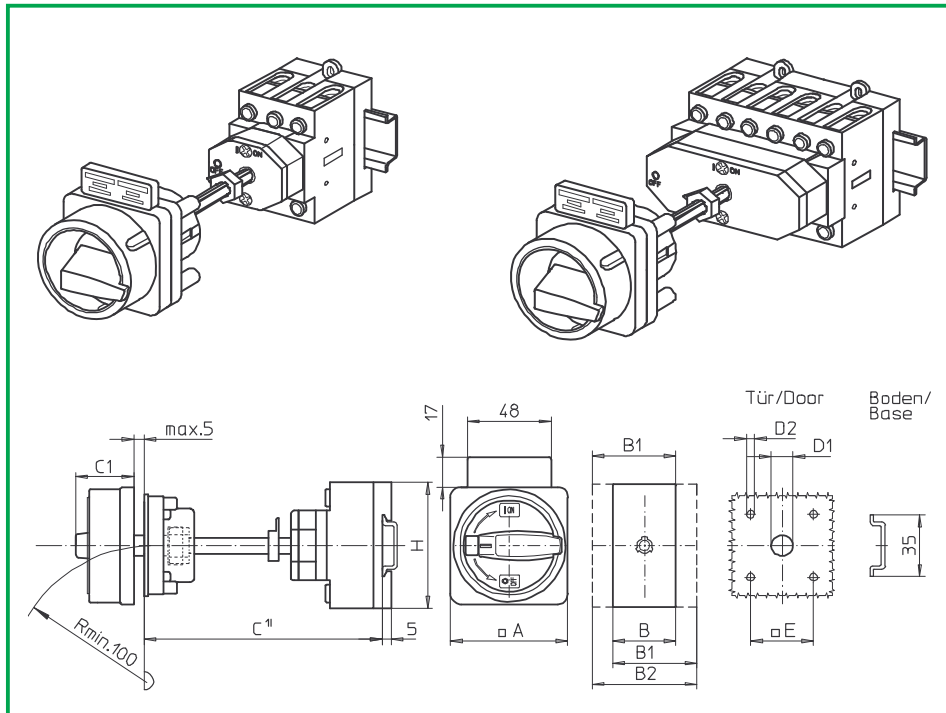
## Dimensions (mm)

Product lines	A	B	B1	B2	C	C1	D1	D2	E	H
H400-A	88	70	89	108	135	45	15	5	48	80
H400-D	88	140	159	178	135	45	15	5	48	80

C<sup>1)</sup> Internal depth, inside of door to top of DIN rail.



# Base Mounting Switches



**Product lines**  
H400-A/ -D

**Base mounting switch**

**Door interlock**

Metal shaft extension with fixed metal shaft, C = 140 mm

**Four hole mounting**

48 x 48 mm front

**494M1 (IP66)**

**494M4 (IP66)**

Complete switch	Poles	Product line	Rated data (IEC 60947)			Order code number
			Operational current I <sub>e</sub>	Operational power at 380–440 V		
			AC-21A A	AC-23A kW	AC-3 kW	
Main Switches OFF position padlockable 09h	3 ... 8	H400-A/ -D	63	22	18,5	H406 - 41 ... - 494M1
			80	30	22	H408 - 41 ... - 494M1
			100	37	30	H410 - 41 ... - 494M1
			125	45	37	H412 - 41 ... - 494M1
Main/Emergency-Off Switches OFF position padlockable 09h	3 ... 8	H400-A/ -D	63	22	18,5	H406 - 41 ... - 494M4
			80	30	22	H408 - 41 ... - 494M4
			100	37	30	H410 - 41 ... - 494M4
			125	45	37	H412 - 41 ... - 494M4

### SMD modules for basic switch A02

Mounting form module for 494M.

H400-A  
H400-D

BFA4 - 494  
BFB4 - 494

M-padlock device 88 x 88 mm, mounting form 494M1  
Escutcheon black, padlockable handle black

4CM1

M-padlock device 88 x 88 mm, mounting form 494M4  
Escutcheon yellow, padlockable handle red

4CM4

Additional top escutcheon plate

FAZ2 - 8041

Terminal cover, 3 pole

H400-A 1x / -D 2x

TCA4

Terminal cover, each additional single pole

H400-A/ -D

TCB4

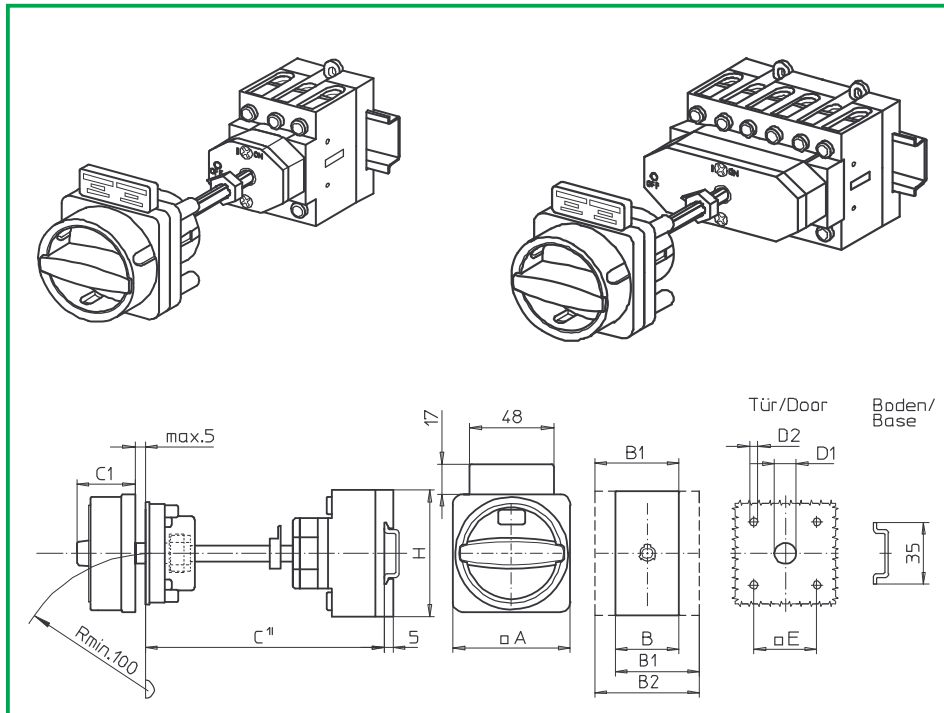
### Dimensions (mm)

Product lines	A	B	B1	B2	C	C1	D1	D2	E	H
H400-A	88	70	89	108	140	50	15	5	48	80
H400-D	88	140	159	178	140	50	15	5	48	80

C<sup>1)</sup> Internal depth, inside of door to top of DIN rail.

# Base Mounting Switches

**sälzer**



**Product lines**  
H400-A/ -D

**Base mounting switch**

**Door interlock**

Metal shaft extension with fixed metal shaft, C = 140 mm

**Four hole mounting**

48 x 48 mm front

**494N1 (IP66)**

**494N4 (IP66)**

Complete switch	Poles	Product line	Rated data (IEC 60947)			Order code number
			Operational current I <sub>e</sub>	Operational power at 380–440 V		
			AC-21A A	AC-23A kW	AC-3 kW	
Main Switches OFF position padlockable 09h	3 ... 8	H400-A/ -D	63	22	18,5	<b>H406 - 41 ... - 494N1</b>
			80	30	22	<b>H408 - 41 ... - 494N1</b>
			100	37	30	<b>H410 - 41 ... - 494N1</b>
			125	45	37	<b>H412 - 41 ... - 494N1</b>
Main/Emergency-Off Switches OFF position padlockable 09h	3 ... 8	H400-A/ -D	63	22	18,5	<b>H406 - 41 ... - 494N4</b>
			80	30	22	<b>H408 - 41 ... - 494N4</b>
			100	37	30	<b>H410 - 41 ... - 494N4</b>
			125	45	37	<b>H412 - 41 ... - 494N4</b>

### SMD modules for basic switch A02

Mounting form module for 494N.

H400-A  
H400-D

**BFA4 - 494**  
**BFB4 - 494**

N-padlock device 88 x 88 mm, mounting form 494N1  
Escutcheon black, padlockable handle black

**4CN1**

N-padlock device 88 x 88 mm, mounting form 494N4  
Escutcheon yellow, padlockable handle red

**4CN4**

Additional top escutcheon plate

**FAZ2 - 8041**

Terminal cover, 3 pole

H400-A 1x / -D 2x

**TCA4**

Terminal cover, each additional single pole

H400-A/ -D

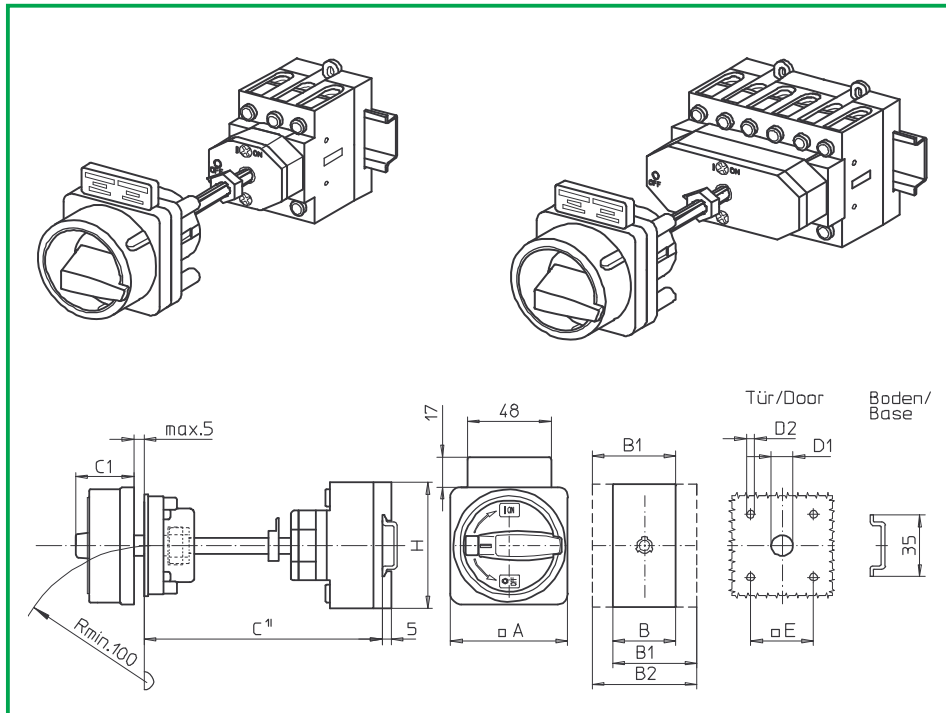
**TCB4**

### Dimensions (mm)

Product lines	A	B	B1	B2	C	C1	D1	D2	E	H
H400-A	88	70	89	108	140	45	15	5	48	80
H400-D	88	140	159	178	140	45	15	5	48	80

C<sup>1)</sup> Internal depth, inside of door to top of DIN rail.

# Base Mounting Switches



**Product lines**  
H400-A/ -D

**Base mounting switch**

**Door interlock**

Metal shaft extension with fixed metal shaft, C =145 mm

**Four hole mounting**

48 x 48 mm front

**495M1 (IP66)**

**495M4 (IP66)**

Complete switch	Poles	Product line	Rated data (IEC 60947)			Order code number
			Operational current I <sub>e</sub>	Operational power at 380–440 V		
			AC-21A A	AC-23A kW	AC-3 kW	
Main Switches OFF position padlockable 09h	3 ... 8	H400-A/ -D	63	22	18,5	H406 - 41 ... - 495M1
			80	30	22	H408 - 41 ... - 495M1
			100	37	30	H410 - 41 ... - 495M1
			125	45	37	H412 - 41 ... - 495M1
Main/Emergency-Off Switches OFF position padlockable 09h	3 ... 8	H400-A/ -D	63	22	18,5	H406 - 41 ... - 495M4
			80	30	22	H408 - 41 ... - 495M4
			100	37	30	H410 - 41 ... - 495M4
			125	45	37	H412 - 41 ... - 495M4

### SMD modules for basic switch A02

Mounting form module for 495M.

H400-A  
H400-D

BFA4 - 495  
BFB4 - 495

M-padlock device 88 x 88 mm, mounting form 495M1  
Escutcheon black, padlockable handle black

4CM1

M-padlock device 88 x 88 mm, mounting form 495M4  
Escutcheon yellow, padlockable handle red

4CM4

Additional top escutcheon plate

FAZ2 - 8041

Terminal cover, 3 pole

H400-A 1x / -D 2x

TCA4

Terminal cover, each additional single pole

H400-A/ -D

TCB4

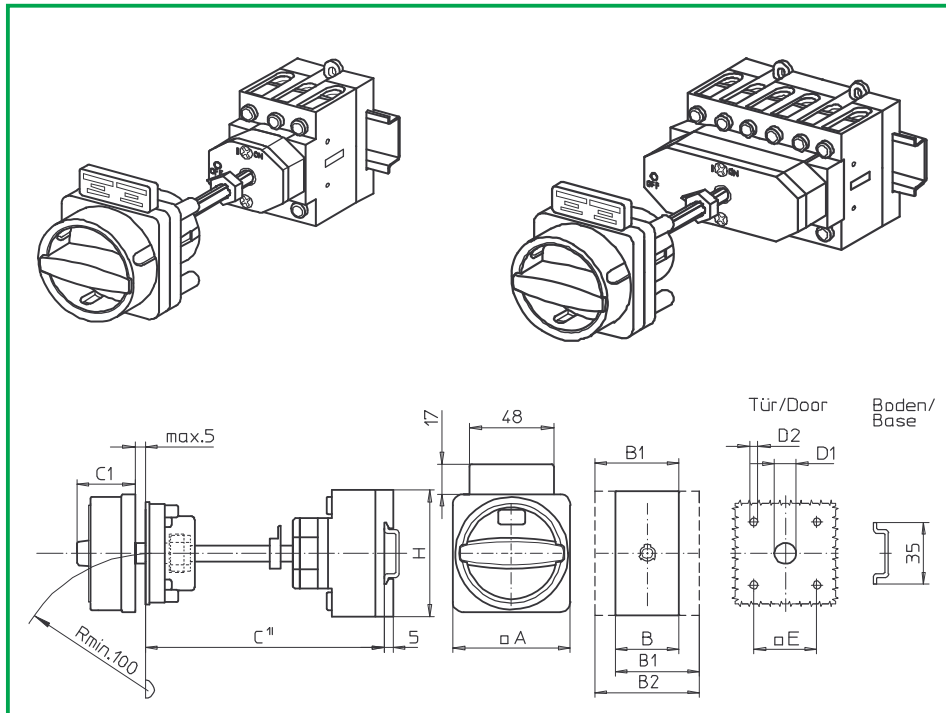
### Dimensions (mm)

Product lines	A	B	B1	B2	C	C1	D1	D2	E	H
H400-A	88	70	89	108	145	50	15	5	48	80
H400-D	88	140	159	178	145	50	15	5	48	80

C<sup>1)</sup> Internal depth, inside of door to top of DIN rail.

# Base Mounting Switches

**sälzer**



**Product lines**  
H400-A/ -D

**Base mounting switch**

**Door interlock**

Metal shaft extension with fixed metal shaft, C = 145 mm

**Four hole mounting**

48 x 48 mm front

**495N1 (IP66)**

**495N4 (IP66)**

Complete switch	Poles	Product line	Rated data (IEC 60947)			Order code number
			Operational current I <sub>e</sub>	Operational power at 380–440 V		
			AC-21A A	AC-23A kW	AC-3 kW	
Main Switches OFF position padlockable 09h	3 ... 8	H400-A/ -D	63	22	18,5	H406 - 41 ... - 495N1
			80	30	22	H408 - 41 ... - 495N1
			100	37	30	H410 - 41 ... - 495N1
			125	45	37	H412 - 41 ... - 495N1
Main/Emergency-Off Switches OFF position padlockable 09h	3 ... 8	H400-A/ -D	63	22	18,5	H406 - 41 ... - 495N4
			80	30	22	H408 - 41 ... - 495N4
			100	37	30	H410 - 41 ... - 495N4
			125	45	37	H412 - 41 ... - 495N4

## SMD modules for basic switch A02

Mounting form module for 495N.

H400-A  
H400-D

BFA4 - 495  
BFB4 - 495

N-padlock device 88 x 88 mm, mounting form 495N1  
Escutcheon black, padlockable handle black

4CN1

N-padlock device 88 x 88 mm, mounting form 495N4  
Escutcheon yellow, padlockable handle red

4CN4

Additional top escutcheon plate

FAZ2 - 8041

Terminal cover, 3 pole

H400-A 1x / -D 2x

TCA4

Terminal cover, each additional single pole

H400-A/ -D

TCB4

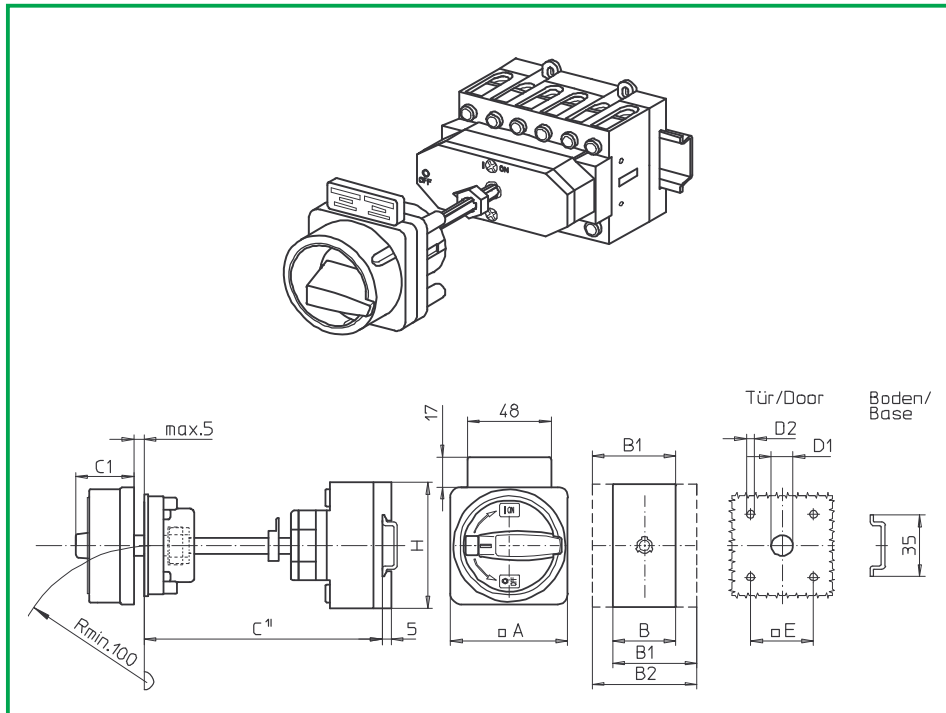
## Dimensions (mm)

Product lines	A	B	B1	B2	C	C1	D1	D2	E	H
H400-A	88	70	89	108	145	45	15	5	48	80
H400-D	88	140	159	178	145	45	15	5	48	80

C<sup>1)</sup> Internal depth, inside of door to top of DIN rail.

# Base Mounting Switches

# sälzer



**Product line**  
**H400-D**

**Base mounting switch**

**Door interlock**

Metal shaft extension with fixed metal shaft, C = 150 mm

**Four hole mounting**

48 x 48 mm front

**496M1 (IP66)**

**496M4 (IP66)**

Complete switch	Poles	Product line	Rated data (IEC 60947)			Order code number
			Operational current I <sub>e</sub>	Operational power at 380–440 V		
			AC-21A A	AC-23A kW	AC-3 kW	
Main Switches OFF position padlockable 09h	6... 8	H400-D	63	22	18,5	<b>H406 - 41 ... - 496M1</b>
			80	30	22	<b>H408 - 41 ... - 496M1</b>
			100	37	30	<b>H410 - 41 ... - 496M1</b>
			125	45	37	<b>H412 - 41 ... - 496M1</b>
Main/Emergency-Off Switches OFF position padlockable 09h	6... 8	H400-D	63	22	18,5	<b>H406 - 41 ... - 496M4</b>
			80	30	22	<b>H408 - 41 ... - 496M4</b>
			100	37	30	<b>H410 - 41 ... - 496M4</b>
			125	45	37	<b>H412 - 41 ... - 496M4</b>

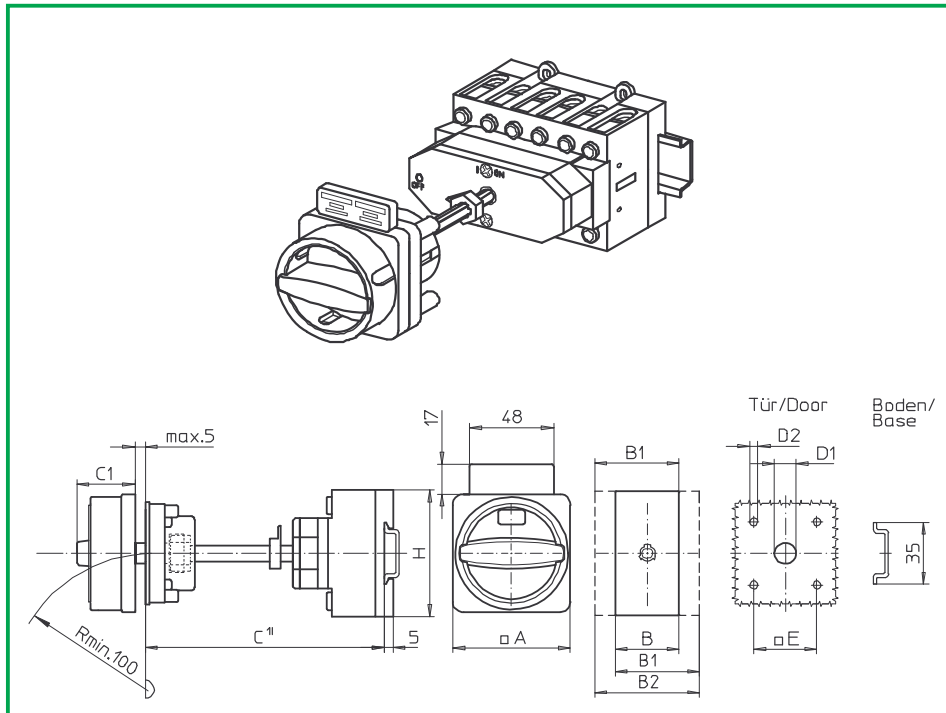
SMD modules for basic switch A02		
Mounting form module for 496M.	H400-D	<b>BFB4 - 496</b>
M-padlock device 88 x 88 mm, mounting form 496M1 Escutcheon black, padlockable handle black		<b>4CM1</b>
M-padlock device 88 x 88 mm, mounting form 496M4 Escutcheon yellow, padlockable handle red		<b>4CM4</b>
Additional top escutcheon plate		<b>FAZ2 - 8041</b>
Terminal cover, 3 pole	H400-D 2x	<b>TCA4</b>
Terminal cover, each additional single pole	H400-D	<b>TCB4</b>

Dimensions (mm)										
Product line	A	B	B1	B2	C	C1	D1	D2	E	H
H400-D	88	140	159	178	150	50	15	5	48	80

C<sup>1</sup>) Internal depth, inside of door to top of DIN rail.

# Base Mounting Switches

**sälzer**



**Product lines  
H400-D**

**Base mounting switch**

**Door interlock**

Metal shaft extension with fixed metal shaft, C = 150 mm

**Four hole mounting**

48 x 48 mm front

**496N1 (IP66)**

**496N4 (IP66)**

Complete switch	Poles	Product line	Rated data (IEC 60947)			Order code number
			Operational current I <sub>e</sub>	Operational power at 380–440 V		
			AC-21A A	AC-23A kW	AC-3 kW	
Main Switches OFF position padlockable 09h	6 ... 8	H400-D	63	22	18,5	<b>H406 - 41 ... - 496N1</b>
			80	30	22	<b>H408 - 41 ... - 496N1</b>
			100	37	30	<b>H410 - 41 ... - 496N1</b>
			125	45	37	<b>H412 - 41 ... - 496N1</b>
Main/Emergency-Off Switches OFF position padlockable 09h	6 ... 8	H400-D	63	22	18,5	<b>H406 - 41 ... - 496N4</b>
			80	30	22	<b>H408 - 41 ... - 496N4</b>
			100	37	30	<b>H410 - 41 ... - 496N4</b>
			125	45	37	<b>H412 - 41 ... - 496N4</b>

### SMD modules for basic switch A02

Mounting form module for 496N.	H400-D	<b>BFB4 - 496</b>
N-padlock device 88 x 88 mm, mounting form 496N1 Escutcheon black, padlockable handle black		<b>4CN1</b>
N-padlock device 88 x 88 mm, mounting form 496N4 Escutcheon yellow, padlockable handle red		<b>4CN4</b>
Additional top escutcheon plate		<b>FAZ2 - 8041</b>
Terminal cover, 3 pole	H400-D 2x	<b>TCA4</b>
Terminal cover, each additional single pole	H400-D	<b>TCB4</b>

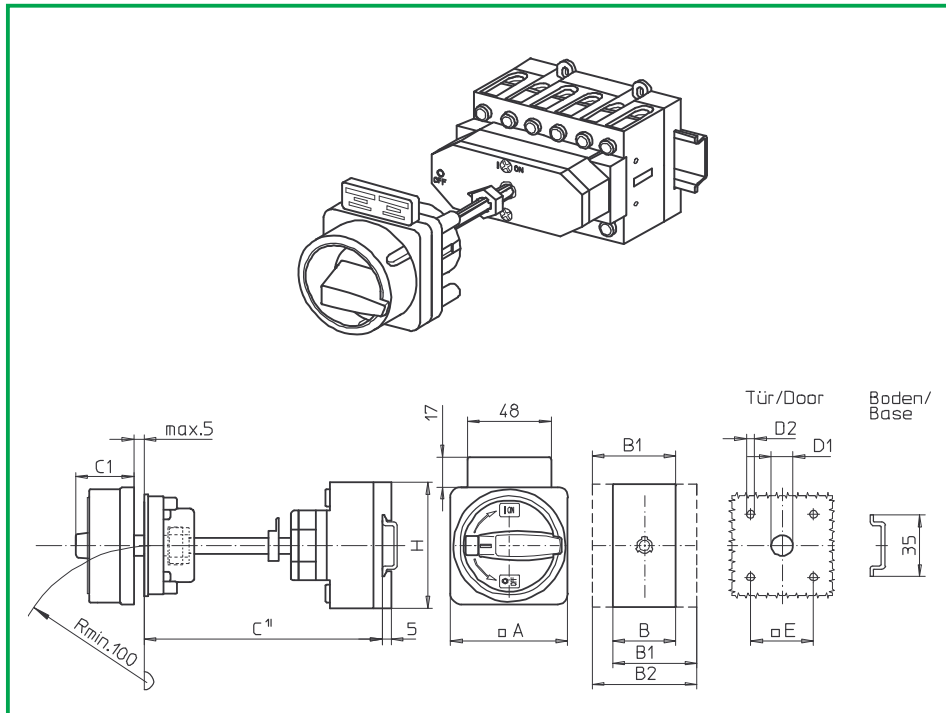
### Dimensions (mm)

Product line	A	B	B1	B2	C	C1	D1	D2	E	H
H400-D	88	140	159	178	150	45	15	5	48	80

C<sup>1</sup>) Internal depth, inside of door to top of DIN rail.

# Base Mounting Switches

# sälzer



**Product line**  
**H400-D**

**Base mounting switch**

**Door interlock**

Metal shaft extension with fixed metal shaft, C = 155 mm

**Four hole mounting**

48 x 48 mm front

**497M1 (IP66)**

**497M4 (IP66)**

Complete switch	Poles	Product line	Rated data (IEC 60947)			Order code number
			Operational current I <sub>e</sub>	Operational power at 380–440 V		
			AC-21A A	AC-23A kW	AC-3 kW	
Main Switches OFF position padlockable 09h	6 ... 8	H400-D	63	22	18,5	<b>H406 - 41 ... - 497M1</b>
			80	30	22	<b>H408 - 41 ... - 497M1</b>
			100	37	30	<b>H410 - 41 ... - 497M1</b>
			125	45	37	<b>H412 - 41 ... - 497M1</b>
Main/Emergency-Off Switches OFF position padlockable 09h	6 ... 8	H400-D	63	22	18,5	<b>H406 - 41 ... - 497M4</b>
			80	30	22	<b>H408 - 41 ... - 497M4</b>
			100	37	30	<b>H410 - 41 ... - 497M4</b>
			125	45	37	<b>H412 - 41 ... - 497M4</b>

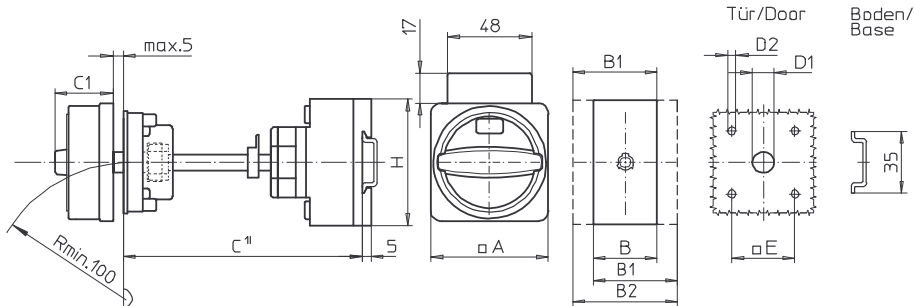
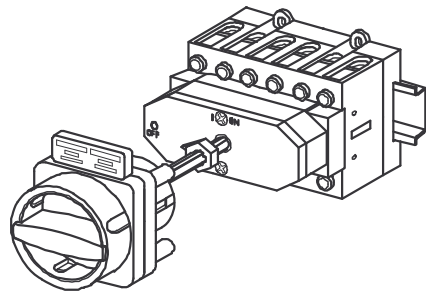
SMD modules for basic switch A02		
Mounting form module for 497M.	H400-D	<b>BFB4 - 497</b>
M-padlock device 88 x 88 mm, mounting form 497M1 Escutcheon black, padlockable handle black		<b>4CM1</b>
M-padlock device 88 x 88 mm, mounting form 497M4 Escutcheon yellow, padlockable handle red		<b>4CM4</b>
Additional top escutcheon plate		<b>FAZ2 - 8041</b>
Terminal cover, 3 pole	H400-D 2x	<b>TCA4</b>
Terminal cover, each additional single pole	H400-D	<b>TCB4</b>

Dimensions (mm)										
Product line	A	B	B1	B2	C	C1	D1	D2	E	H
H400-D	88	140	159	178	155	50	15	5	48	80

C<sup>1</sup>) Internal depth, inside of door to top of DIN rail.

# Base Mounting Switches

**sälzer**



**Product line  
H400-D**

**Base mounting switch**

**Door interlock**

Metal shaft extension with fixed metal shaft, C = 155 mm

**Four hole mounting**

48 x 48 mm front

**497N1 (IP66)**

**497N4 (IP66)**

Complete switch	Poles	Product line	Rated data (IEC 60947)			Order code number
			Operational current I <sub>e</sub>	Operational power at 380–440 V		
			AC-21A A	AC-23A kW	AC-3 kW	
Main Switches OFF position padlockable 09h	6 ... 8	H400-D	63	22	18,5	<b>H406 - 41 ... - 497N1</b>
			80	30	22	<b>H408 - 41 ... - 497N1</b>
			100	37	30	<b>H410 - 41 ... - 497N1</b>
			125	45	37	<b>H412 - 41 ... - 497N1</b>
Main/Emergency-Off Switches OFF position padlockable 09h	6 ... 8	H400-D	63	22	18,5	<b>H406 - 41 ... - 497N4</b>
			80	30	22	<b>H408 - 41 ... - 497N4</b>
			100	37	30	<b>H410 - 41 ... - 497N4</b>
			125	45	37	<b>H412 - 41 ... - 497N4</b>

## SMD modules for basic switch A02

Mounting form module for 497N.	H400-D	<b>BFB4 - 497 4CN1</b>
N-padlock device 88 x 88 mm, mounting form 497N1 Escutcheon black, padlockable handle black		<b>4CN4</b>
N-padlock device 88 x 88 mm, mounting form 497N4 Escutcheon yellow, padlockable handle red		<b>FAZ2 - 8041</b>
Additional top escutcheon plate		<b>TCA4</b>
Terminal cover, 3 pole	H400-D 2x	<b>TCB4</b>
Terminal cover, each additional single pole	H400-D	<b>TCB4</b>

## Dimensions (mm)

Product line	A	B	B1	B2	C	C1	D1	D2	E	H
H400-D	88	140	159	178	155	45	15	5	48	80

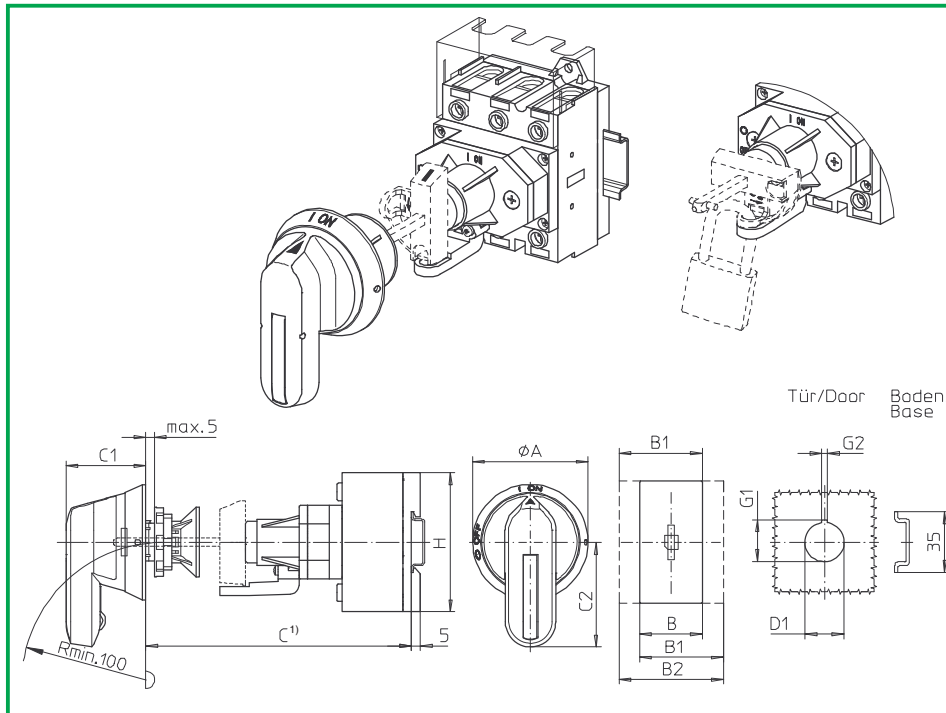
C<sup>1</sup>) Internal depth, inside of door to top of DIN rail.





# Base Mounting Switches

**sälzer**



**Product lines  
H400-A/ -D**

**Base mounting switch**

**Defeatable  
door interlock with  
maintenance handle**

Metal shaft extension

**Single hole mounting**  
ø 22,5 mm front

**385D1 (IP66)**

**385D4 (IP66)**

Complete switch	Poles	Product line	Rated data (IEC 60947)			Order code number
			Operational current	Operational power at 380-440V		
			AC-21A A	AC-23A kW	AC-3 kW	
Main Switches OFF position padlockable 09h	3 ... 8	H400-A/ -D	63	22	18,5	<b>H406 - 41 ... - 385D1</b>
			80	30	22	<b>H408 - 41 ... - 385D1</b>
			100	37	30	<b>H410 - 41 ... - 385D1</b>
			125	45	37	<b>H412 - 41 ... - 385D1</b>
Main/Emergency-Off Switches OFF position padlockable 09h	3 ... 8	H400-A/ -D	63	22	18,5	<b>H406 - 41 ... - 385D4</b>
			80	30	22	<b>H408 - 41 ... - 385D4</b>
			100	37	30	<b>H410 - 41 ... - 385D4</b>
			125	45	37	<b>H412 - 41 ... - 385D4</b>

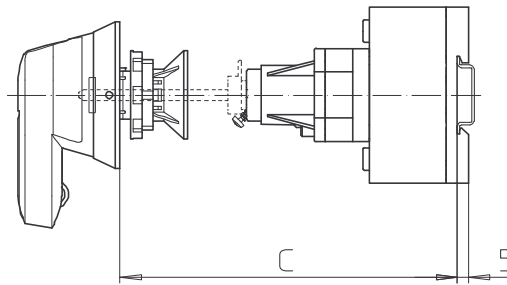
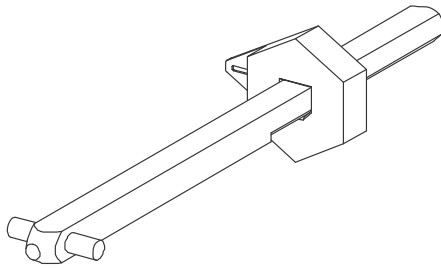
With defeatable door interlock in the ON position

SMD modules for basic switch A02		
Mounting form module for 385D1/385D4	H400-A/ -D	<b>BFA4-385</b>
Operator module, mounting form 385D1 Front ring black, handle black		<b>4RD1</b>
Operator module, mounting form 385D4 Front ring yellow, handle red		<b>4RD4</b>
Terminal cover, 3 pole	H400-A 1x / -D 2x	<b>TCA4</b>
Terminal cover, each additional single pole	H400-A/ -D	<b>TCB4</b>

Dimensions (mm)										
Product lines	A	B	B1	B2	C1	C2	D1	G1	G2	H
H400-A	66,5	70	89	108	46	60	22,5	24,2	3,2	80
H400-D	66,5	140	159	178	46	60	22,5	24,2	3,2	80

C<sup>1</sup>) Internal depth, outside of door to top of DIN rail. Metal shaft is not included. See page B10-4.

# Metal shaft extension



**Product lines**  
H400-A/ -D

**Base mounting switch**

**Defeatable door interlock**

Metal shaft extension

**Single hole mounting**  
ø 22,5 mm front

**AVE5 - . . .**

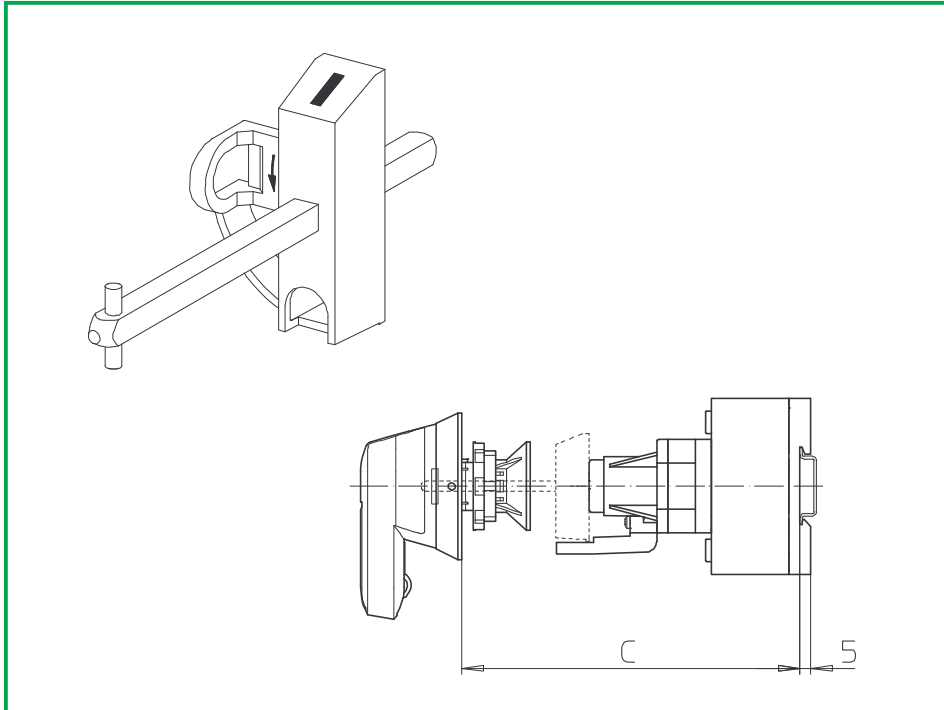
**Metal shaft extension for mounting form with defeatable door interlock, single hole mounting ø 22,5 mm front**

Dimension C (internal depth, outside of door to top of DIN rail)

H400-A	H400-D	Order code number
133 ... 148 mm	146 ... 161 mm	AVE5-088
148 ... 163 mm	161 ... 176 mm	AVE5-103
163 ... 178 mm	176 ... 191 mm	AVE5-118
178 ... 193 mm	191 ... 206 mm	AVE5-133
193 ... 208 mm	206 ... 221 mm	AVE5-148
208 ... 223 mm	221 ... 236 mm	AVE5-163
223 ... 238 mm	236 ... 251 mm	AVE5-178
238 ... 253 mm	251 ... 266 mm	AVE5-193
253 ... 268 mm	266 ... 281 mm	AVE5-208
268 ... 283 mm	281 ... 296 mm	AVE5-223
283 ... 298 mm	296 ... 311 mm	AVE5-238
298 ... 313 mm	311 ... 326 mm	AVE5-253
313 ... 328 mm	326 ... 341 mm	AVE5-268
328 ... 343 mm	341 ... 356 mm	AVE5-283
343 ... 358 mm	356 ... 371 mm	AVE5-298
358 ... 373 mm	371 ... 386 mm	AVE5-313
373 ... 388 mm	386 ... 401 mm	AVE5-328
388 ... 403 mm	401 ... 416 mm	AVE5-343
403 ... 418 mm	416 ... 431 mm	AVE5-358
418 ... 433 mm	431 ... 446 mm	AVE5-373
433 ... 448 mm	446 ... 461 mm	AVE5-388
448 ... 463 mm	461 ... 476 mm	AVE5-403
463 ... 478 mm	476 ... 491 mm	AVE5-418
478 ... 493 mm	491 ... 506 mm	AVE5-433
493 ... 508 mm	506 ... 521 mm	AVE5-448
508 ... 523 mm	521 ... 536 mm	AVE5-463
523 ... 538 mm	536 ... 551 mm	AVE5-478
538 ... 553 mm	551 ... 566 mm	AVE5-493
553 ... 568 mm	566 ... 581 mm	AVE5-508
568 ... 583 mm	581 ... 596 mm	AVE5-523
583 ... 598 mm	596 ... 611 mm	AVE5-538
598 ... 613 mm	611 ... 626 mm	AVE5-553
613 ... 628 mm	626 ... 641 mm	AVE5-568

# Metal shaft extension

**sälzer**



**Product lines  
H400-A/ -D**

**Base mounting switch**

**Defeatable  
door interlock with  
maintenance handle**

Metal shaft extension

**Single hole mounting**  
ø 22,5 mm front

**AVF5 - . . .**

**Metal shaft extension for mounting form with defeatable door interlock,  
single hole mounting ø 22,5 mm front  
Additional lockable maintenance handle**

Dimension C (internal depth, outside of door to top of DIN rail)

H400-A	H400-D	Order code number
143 . . . 148 mm	156 . . . 161 mm	AVF5-088
148 . . . 163 mm	161 . . . 176 mm	AVF5-103
163 . . . 178 mm	176 . . . 191 mm	AVF5-118
178 . . . 193 mm	191 . . . 206 mm	AVF5-133
193 . . . 208 mm	206 . . . 221 mm	AVF5-148
208 . . . 223 mm	221 . . . 236 mm	AVF5-163
223 . . . 238 mm	236 . . . 251 mm	AVF5-178
238 . . . 253 mm	251 . . . 266 mm	AVF5-193
253 . . . 268 mm	266 . . . 281 mm	AVF5-208
268 . . . 283 mm	281 . . . 296 mm	AVF5-223
283 . . . 298 mm	296 . . . 311 mm	AVF5-238
298 . . . 313 mm	311 . . . 326 mm	AVF5-253
313 . . . 328 mm	326 . . . 341 mm	AVF5-268
328 . . . 343 mm	341 . . . 356 mm	AVF5-283
343 . . . 358 mm	356 . . . 371 mm	AVF5-298
358 . . . 373 mm	371 . . . 386 mm	AVF5-313
373 . . . 388 mm	386 . . . 401 mm	AVF5-328
388 . . . 403 mm	401 . . . 416 mm	AVF5-343
403 . . . 418 mm	416 . . . 431 mm	AVF5-358
418 . . . 433 mm	431 . . . 446 mm	AVF5-373
433 . . . 448 mm	446 . . . 461 mm	AVF5-388
448 . . . 463 mm	461 . . . 476 mm	AVF5-403
463 . . . 478 mm	476 . . . 491 mm	AVF5-418
478 . . . 493 mm	491 . . . 506 mm	AVF5-433
493 . . . 508 mm	506 . . . 521 mm	AVF5-448
508 . . . 523 mm	521 . . . 536 mm	AVF5-463
523 . . . 538 mm	536 . . . 551 mm	AVF5-478
538 . . . 553 mm	551 . . . 566 mm	AVF5-493
553 . . . 568 mm	566 . . . 581 mm	AVF5-508
568 . . . 583 mm	581 . . . 596 mm	AVF5-523
583 . . . 598 mm	596 . . . 611 mm	AVF5-538
598 . . . 613 mm	611 . . . 626 mm	AVF5-553
613 . . . 628 mm	626 . . . 641 mm	AVF5-568



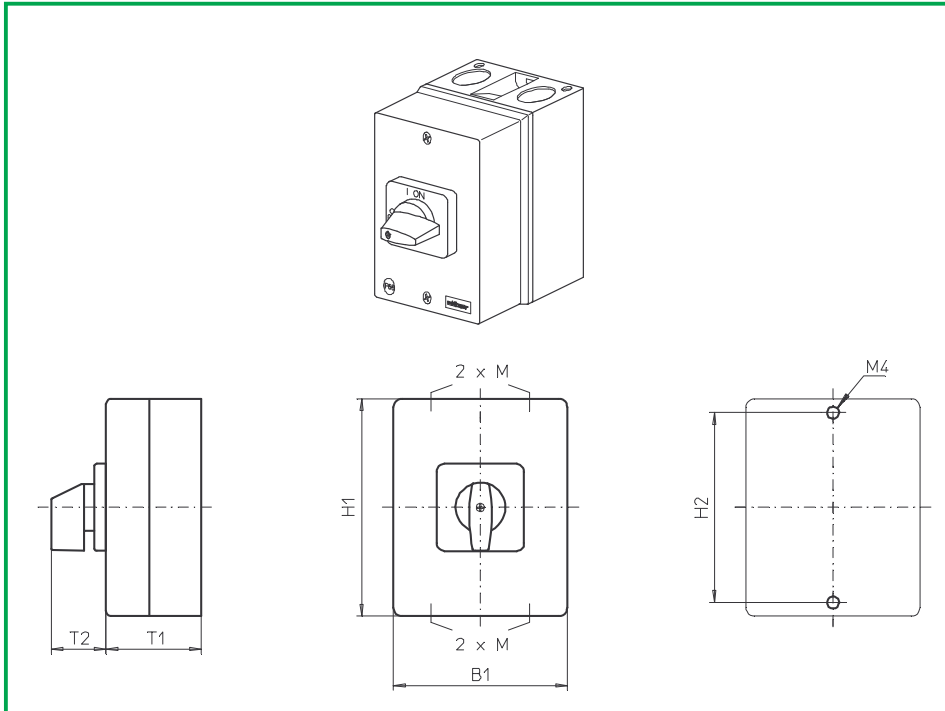
## Section C

	Page	
	from	to
<b>Insulated Enclosures</b>	<b>C1-1</b>	<b>C1-36</b>
<b>Mild Steel Enclosures</b>	<b>C2-1</b>	<b>C2-15</b>
<b>Stainless Steel Enclosures</b>	<b>C3-1</b>	<b>C3-11</b>
<b>Switch Modules</b>	<b>C4-1</b>	<b>C4-3</b>

---

**Originator: Sälzer Electric GmbH · Product Data Management (PDM) · 09306 Rochlitz (Germany)**  
Copyright reserved by Sälzer Electric GmbH. This document replaces all previous issues.  
Valid until a new version is published. Changes and revisions reserved.

# Enclosed Switches



**Product line**  
**H400-A**

**Enclosed switches**

**Insulated enclosure**  
250 x 160 x 95 mm

**Cable entries**  
4 x M25/32

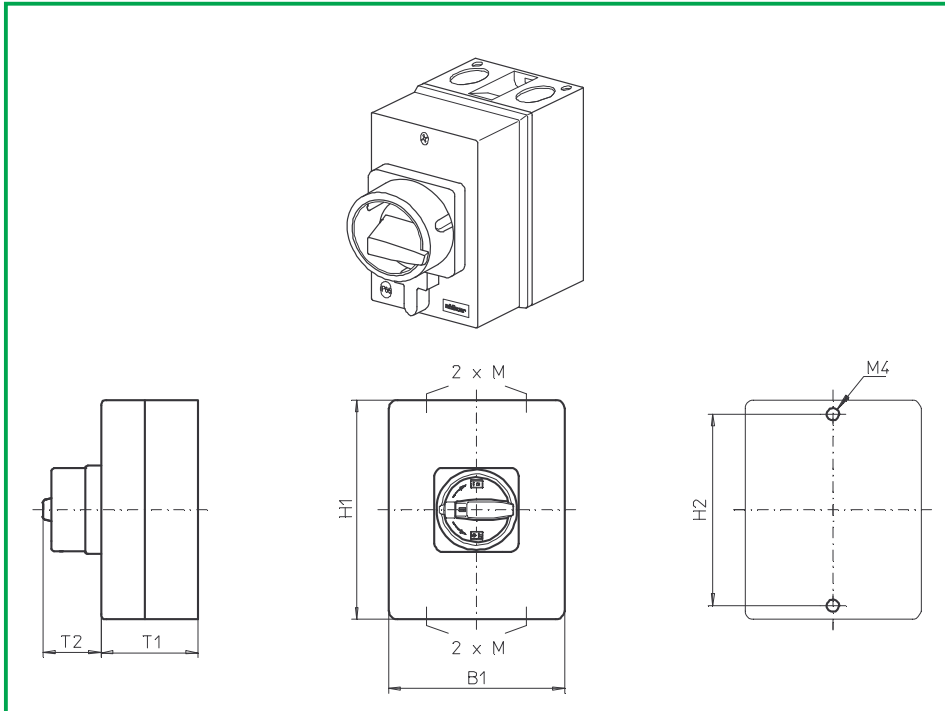
**176M1 (IP66)**

Complete switch	Poles	Product line	Rated data (IEC 60947)			Order code number
			Operational current $I_e$	Operational power at 380–440 V		
			AC-21A A	AC-23A kW	AC-3 kW	
ON-OFF Switches Switching angle 90°	3 ... 4	H400-A	63	22	18,5	<b>H406 - 41 ... - 176M1</b>
			80	30	22	<b>H408 - 41 ... - 176M1</b>
			100	37	30	<b>H410 - 41 ... - 176M1</b>

SMD modules for basic switch A02						
Mounting form module (switch module EA)				H400-A		<b>BFA4 - EA</b>
Enclosure module, mounting form 176M1						<b>PAH4 - 176M1</b>
Legend plate silver, enclosure module 176M1						<b>FAS6 - 9078</b>

Dimensions (mm)						
Product line	H1	B1	T1	T2	2xM	H2
H400-A	250	160	95	52	25/32	240

# Enclosed Switches



**Product line**  
**H400-A**

**Enclosed switches**

**Insulated enclosure**  
250 x 160 x 95 mm

**Cable entries**  
4 x M25/32

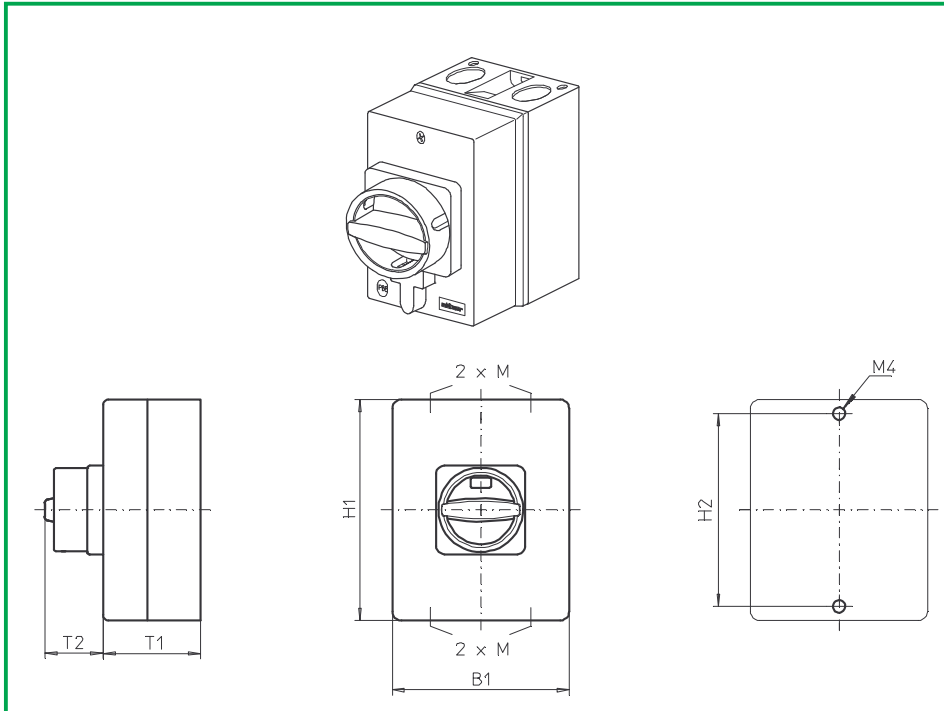
**177M1 (IP66)**  
**177M4 (IP66)**

Complete switch	Poles	Product line	Rated data (IEC 60947)			Order code number
			Operational current I <sub>e</sub>	Operational power at 380–440 V		
			AC-21A A	AC-23A kW	AC-3 kW	
Main Switches OFF position padlockable 09h	3 ... 4	H400-A	63	22	18,5	<b>H406 - 41 ... - 177M1</b>
			80	30	22	<b>H408 - 41 ... - 177M1</b>
			100	37	30	<b>H410 - 41 ... - 177M1</b>
Main/Emergency-Off Switches OFF position padlockable 09h	3 ... 4	H400-A	63	22	18,5	<b>H406 - 41 ... - 177M4</b>
			80	30	22	<b>H408 - 41 ... - 177M4</b>
			100	37	30	<b>H410 - 41 ... - 177M4</b>

SMD modules for basic switch A02			
Mounting form module (switch module EA)		H400-A	<b>BFA4 - EA</b>
Enclosure module, mounting form 177M1			<b>PAH4 - 177M1</b>
Enclosure module, mounting form 177M4			<b>PAH4 - 177M4</b>

Dimensions (mm)						
Product line	H1	B1	T1	T2	2xM	H2
H400-A	250	160	95	50	25/32	240

# Enclosed Switches



**Product line**  
**H400-A**

**Enclosed switches**

**Insulated enclosure**  
250 x 160 x 95 mm

**Cable entries**  
4 x M25/32

**177N1 (IP66)**  
**177N4 (IP66)**

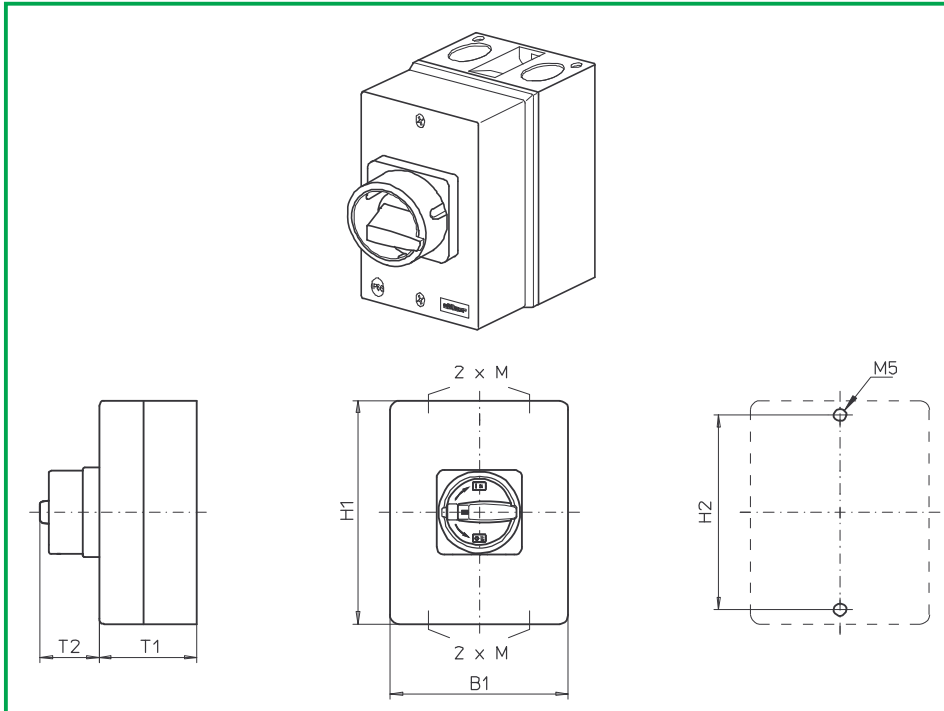
Complete switch	Poles	Product line	Rated data (IEC 60947)			Order code number
			Operational current I <sub>e</sub>	Operational power at 380–440 V		
			AC-21A A	AC-23A kW	AC-3 kW	
Main Switches OFF position padlockable 09h	3 ... 4	H400-A	63	22	18,5	<b>H406 - 41 ... - 177N1</b>
			80	30	22	<b>H408 - 41 ... - 177N1</b>
			100	37	30	<b>H410 - 41 ... - 177N1</b>
Main/Emergency-Off Switches OFF position padlockable 09h	3 ... 4	H400-A	63	22	18,5	<b>H406 - 41 ... - 177N4</b>
			80	30	22	<b>H408 - 41 ... - 177N4</b>
			100	37	30	<b>H410 - 41 ... - 177N4</b>

SMD modules for basic switch A02			
Mounting form module (switch module EA)		H400-A	<b>BFA4 - EA</b>
Enclosure module, mounting form 177N1			<b>PAH4 - 177N1</b>
Enclosure module, mounting form 177N4			<b>PAH4 - 177N4</b>

Dimensions (mm)						
Product line	H1	B1	T1	T2	2xM	H2
H400-A	250	160	95	45	25/32	240



# Enclosed Switches



**Product lines**  
**H400-A**

**Enclosed switches**

**Insulated enclosure**  
250 x 160 x 120 mm

With cover interlock  
in ON position

With N/PE connection link

**Cable entries**  
4 x M32/ M40

**730M1 (IP66)**

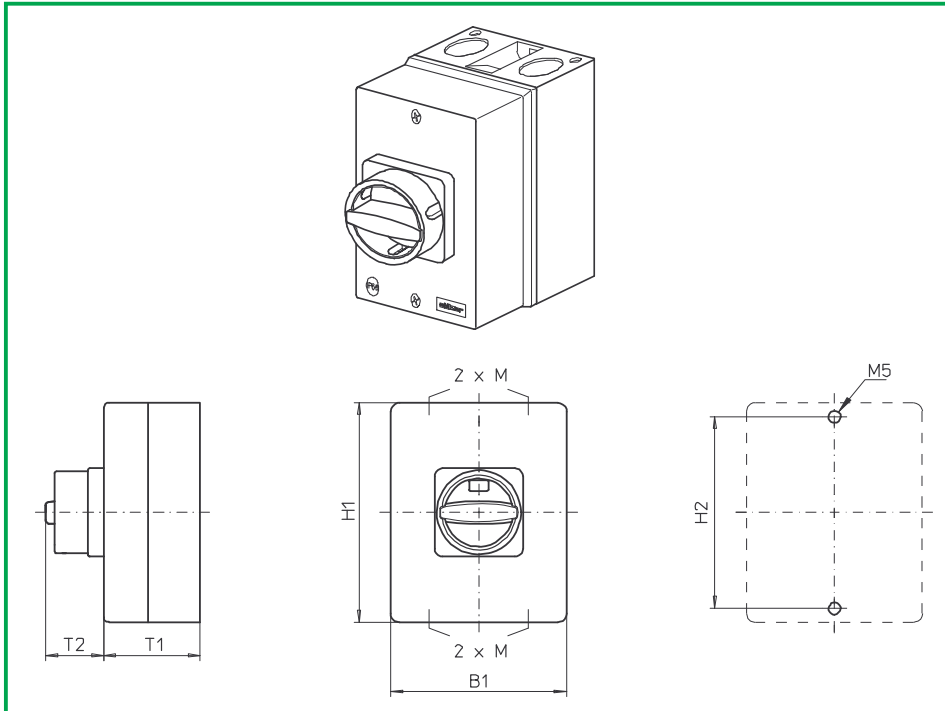
**730M4 (IP66)**

Complete switch	Poles	Product line	Rated data (IEC 60947)			Order code number
			Operational current I <sub>e</sub>	Operational power at 380–440 V		
			AC-21A A	AC-23A kW	AC-3 kW	
Main Switches OFF position padlockable 09h	3 ... 4	H400-A	63	22	18,5	<b>H406 - 41 ... - 730M1</b>
			80	30	22	<b>H408 - 41 ... - 730M1</b>
			100	37	30	<b>H410 - 41 ... - 730M1</b>
Main/Emergency-Off Switches OFF position padlockable 09h	3 ... 4	H400-A	63	22	18,5	<b>H406 - 41 ... - 730M4</b>
			80	30	22	<b>H408 - 41 ... - 730M4</b>
			100	37	30	<b>H410 - 41 ... - 730M4</b>

SMD modules for basic switch A02			
Mounting form module (switch module ED)		H400-A	<b>BFE4 - ED</b>
Enclosure module, mounting form 730M1			<b>PAH4 - 730M1</b>
Enclosure module, mounting form 730M4			<b>PAH4 - 730M4</b>

Dimensions (mm)						
Product line	H1	B1	T1	T2	2xM	H2
H400-A	250	160	120	50	32/40	235

# Enclosed Switches



**Product line**  
**H400-A**

**Enclosed switches**

**Insulated enclosure**  
250 x 160 x 120 mm

With cover interlock  
in ON position

With N/PE connection link

**Cable entries**  
4 x M32/ M40

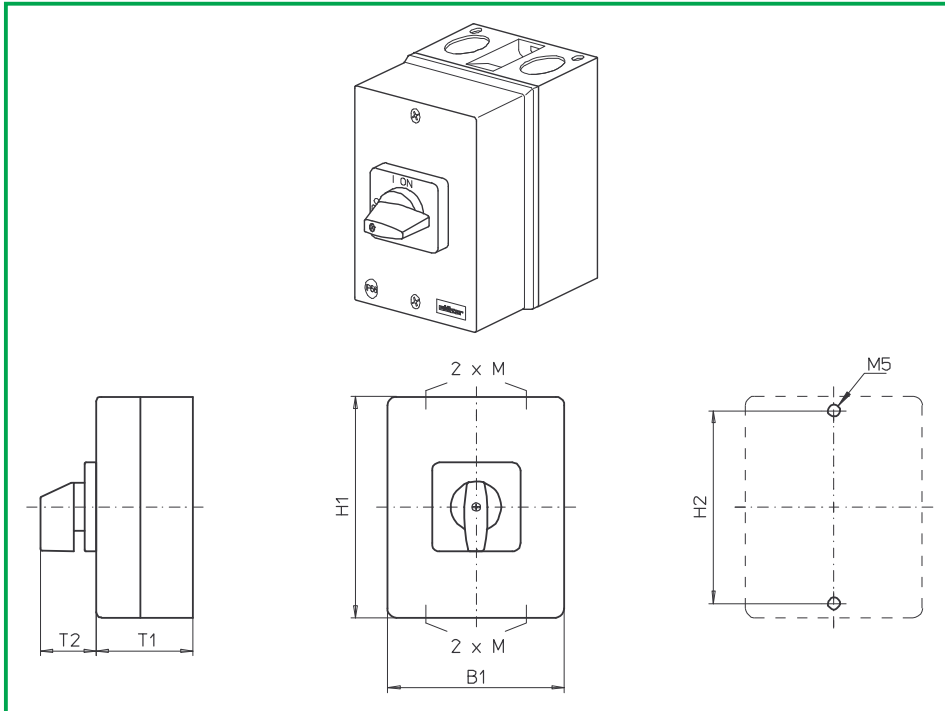
**730N1 (IP66)**  
**730N4 (IP66)**

Complete switch	Poles	Product line	Rated data (IEC 60947)			Order code number
			Operational current I <sub>e</sub>	Operational power at 380–440 V		
			AC-21A A	AC-23A kW	AC-3 kW	
Main Switches OFF position padlockable 09h	3 ... 4	H400-A	63	22	18,5	<b>H406 - 41 ... - 730N1</b>
			80	30	22	<b>H408 - 41 ... - 730N1</b>
			100	37	30	<b>H410 - 41 ... - 730N1</b>
Main/Emergency-Off Switches OFF position padlockable 09h	3 ... 4	H400-A	63	22	18,5	<b>H406 - 41 ... - 730N4</b>
			80	30	22	<b>H408 - 41 ... - 730N4</b>
			100	37	30	<b>H410 - 41 ... - 730N4</b>

SMD modules for basic switch A02			
Mounting form module (switch module ED)		H400-A	<b>BFE4 - ED</b>
Enclosure module, mounting form 730N1			<b>PAH4 - 730N1</b>
Enclosure module, mounting form 730N4			<b>PAH4 - 730N4</b>

Dimensions (mm)						
Product line	H1	B1	T1	T2	2xM	H2
H400-A	250	160	120	45	32/40	235

# Enclosed Switches



**Product line**  
**H400-A**

**Enclosed switches**

**Insulated enclosure**  
250 x 160 x 120 mm

With cover interlock  
in ON position

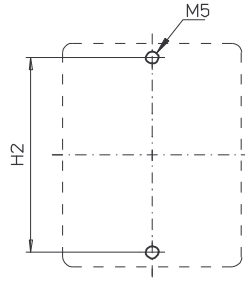
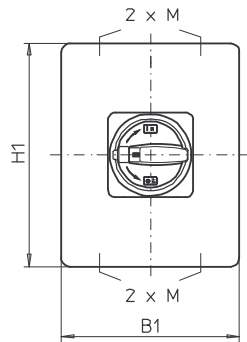
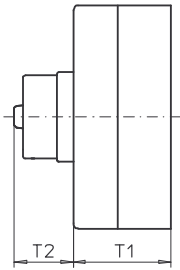
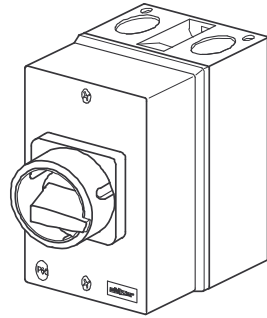
With N/PE connection link

**Cable entries**  
4 x M32/ M40

**731M1 (IP66)**

Complete switch	Poles	Product line	Rated data (IEC 60947)			Order code number
			Operational current I <sub>e</sub>	Operational power at 380–440 V		
			AC-21A A	AC-23A kW	AC-3 kW	
ON-OFF Switches Switching angle 90°	3 ... 4	H400-A	63	22	18,5	<b>H406 - 41 ... - 731M1</b>
			80	30	22	<b>H408 - 41 ... - 731M1</b>
			100	37	30	<b>H410 - 41 ... - 731M1</b>
<b>SMD modules for basic switch A02</b>						
Mounting form module (switch module ED)			H400-A			<b>BFE4 - ED</b>
Enclosure module, mounting form 731M1						<b>PAH4 - 731M1</b>
Legend plate silver, enclosure module 731M1						<b>FAS6 - 9...</b> (FA number)
<b>Dimensions (mm)</b>						
<b>Product line</b>	<b>H1</b>	<b>B1</b>	<b>T1</b>	<b>T2</b>	<b>2xM</b>	<b>H2</b>
H400-A	250	160	120	39	32/40	235

# Enclosed Switches



**Product line**  
**H400-A**

**Enclosed switches**

**Insulated enclosure**  
250 x 160 x 120 mm

With cover interlock  
in ON position

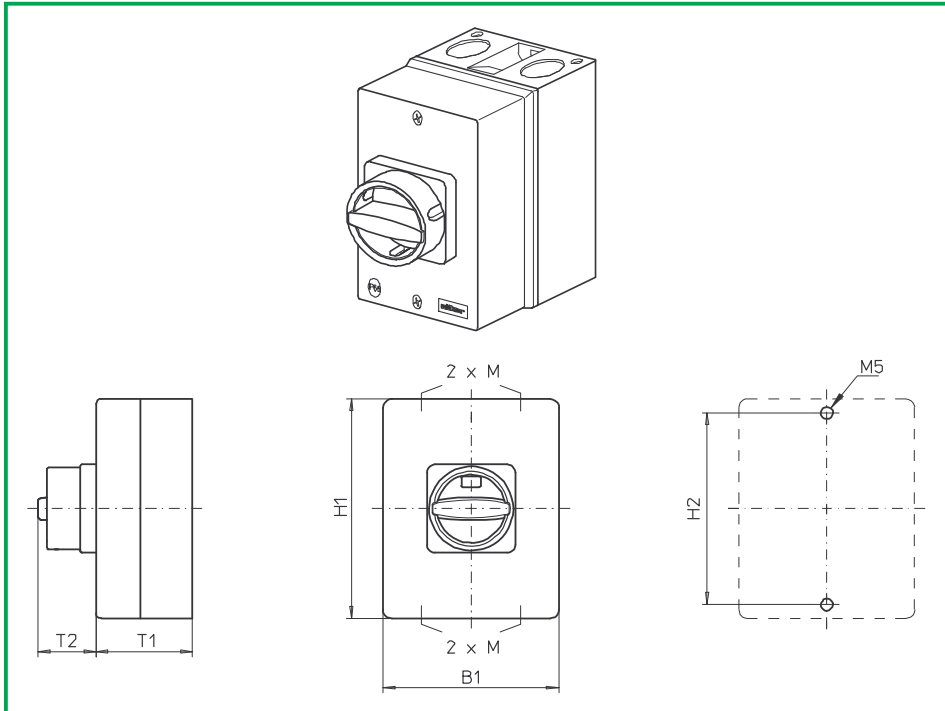
With PE connection link

**Cable entries**  
4 x M32/ M40

**735M1 (IP66)**  
**735M4 (IP66)**

Complete switch	Poles	Product line	Rated data (IEC 60947)			Order code number
			Operational current I <sub>e</sub>	Operational power at 380–440 V		
			AC-21A A	AC-23A kW	AC-3 kW	
Main Switches OFF position padlockable 09h	3 ... 4	H400-A	63	22	18,5	<b>H406 - 41 ... - 735M1</b>
			80	30	22	<b>H408 - 41 ... - 735M1</b>
			100	37	30	<b>H410 - 41 ... - 735M1</b>
Main/Emergency-Off Switches OFF position padlockable 09h	3 ... 4	H400-A	63	22	18,5	<b>H406 - 41 ... - 735M4</b>
			80	30	22	<b>H408 - 41 ... - 735M4</b>
			100	37	30	<b>H410 - 41 ... - 735M4</b>
<b>SMD modules for basic switch A02</b>						
Mounting form module (switch module ED)			H400-A			<b>BFE4 - ED</b>
Enclosure module, mounting form 735M1						<b>PAH4 - 735M1</b>
Enclosure module, mounting form 735M4						<b>PAH4 - 735M4</b>
<b>Dimensions (mm)</b>						
<b>Product line</b>	<b>H1</b>	<b>B1</b>	<b>T1</b>	<b>T2</b>	<b>2xM</b>	<b>H2</b>
H400-A	250	160	120	45	32/40	235

# Enclosed Switches



**Product line**  
**H400-A**

**Enclosed switches**

**Insulated enclosure**  
250 x 160 x 120 mm

With cover interlock  
in ON position

With PE connection link

**Cable entries**  
4 x M32/ M40

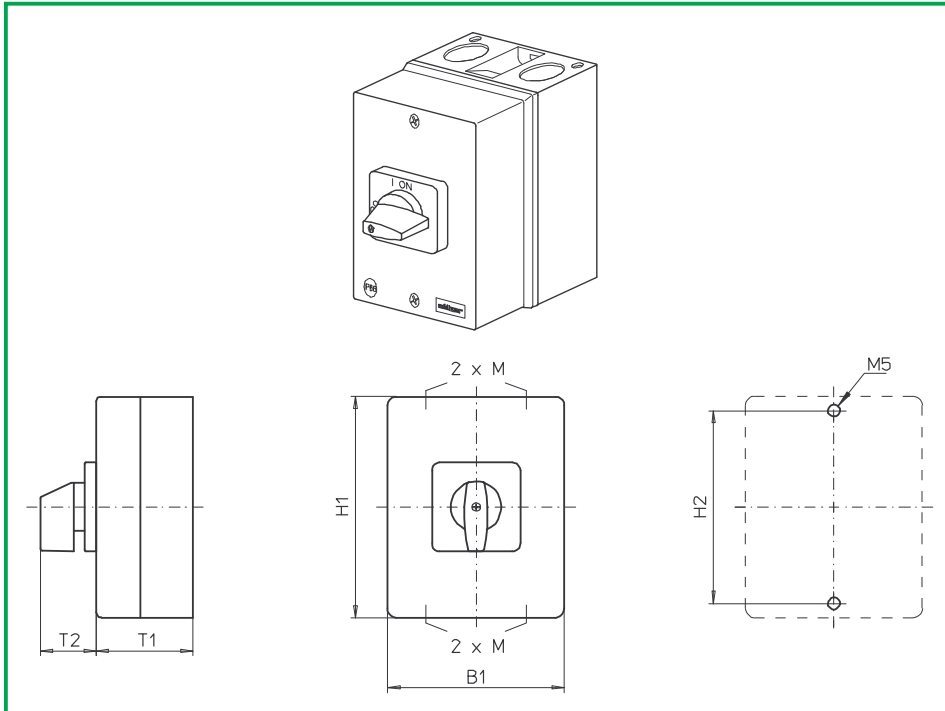
**735N1 (IP66)**  
**735N4 (IP66)**

Complete switch	Poles	Product line	Rated data (IEC 60947)			Order code number
			Operational current I <sub>e</sub>	Operational power at 380–440 V		
			AC-21A A	AC-23A kW	AC-3 kW	
Main Switches OFF position padlockable 09h	3 ... 4	H400-A	63	22	18,5	<b>H406 - 41 ... - 735N1</b>
			80	30	22	<b>H408 - 41 ... - 735N1</b>
			100	37	30	<b>H410 - 41 ... - 735N1</b>
Main/Emergency-Off Switches OFF position padlockable 09h	3 ... 4	H400-A	63	22	18,5	<b>H406 - 41 ... - 735N4</b>
			80	30	22	<b>H408 - 41 ... - 735N4</b>
			100	37	30	<b>H410 - 41 ... - 735N4</b>

SMD modules for basic switch A02			
Mounting form module (switch module ED)		H400-A	<b>BFE4 - ED</b>
Enclosure module, mounting form 735N1			<b>PAH4 - 735N1</b>
Enclosure module, mounting form 735N4			<b>PAH4 - 735N4</b>

Dimensions (mm)						
Product line	H1	B1	T1	T2	2xM	H2
H400-A	250	160	120	45	32/40	235

# Enclosed Switches



**Product line**  
**H400-A**

**Enclosed switches**

**Insulated enclosure**  
250 x 160 x 120 mm

With cover interlock  
in ON position

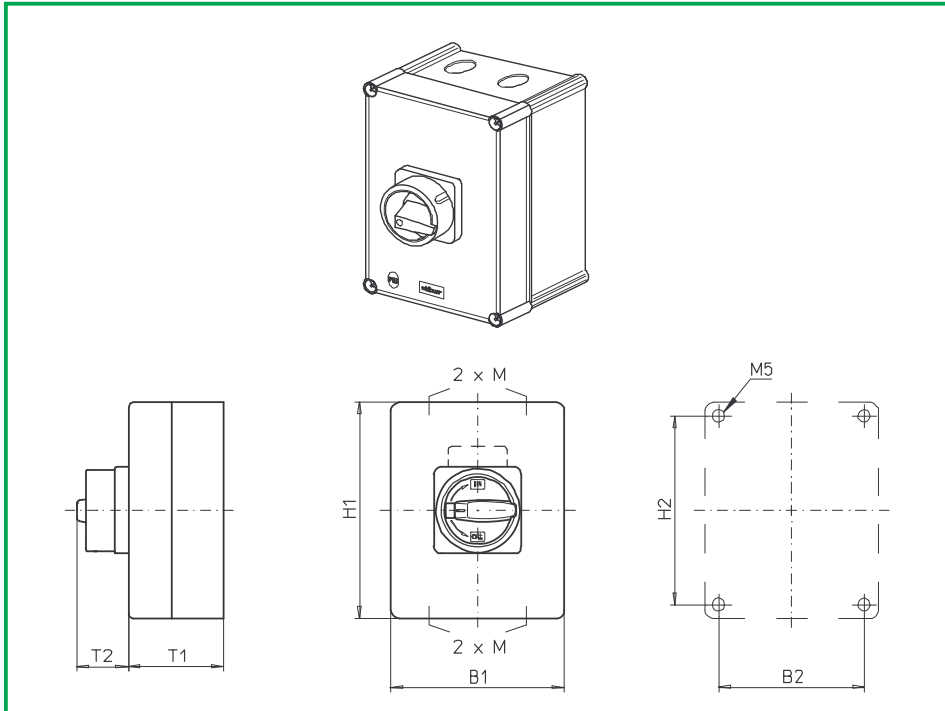
With PE connection link

**Cable entries**  
4 x M32/ M40

**736M1 (IP66)**

Complete switch	Poles	Product line	Rated data (IEC 60947)			Order code number
			Operational current I <sub>e</sub>	Operational power at 380–440 V		
			AC-21A A	AC-23A kW	AC-3 kW	
ON-OFF Switches Switching angle 90°	3 ... 4	H400-A	63 80 100	22 30 37	18,5 22 30	<b>H406 - 41 ... - 736M1</b> <b>H408 - 41 ... - 736M1</b> <b>H410 - 41 ... - 736M1</b>
<b>SMD modules for basic switch A02</b>						
Mounting form module (switch module ED)			H400-A			<b>BFE4 - ED</b>
Enclosure module, mounting form 736M1						<b>PAH4 - 736M1</b>
Legend plate silver, enclosure module 736M1						<b>FAS6 - 9...</b> (FA number)
<b>Dimensions (mm)</b>						
<b>Product line</b>	<b>H1</b>	<b>B1</b>	<b>T1</b>	<b>T2</b>	<b>2xM</b>	<b>H2</b>
H400-A	250	160	120	39	32/40	235

# Enclosed Switches



**Product line  
H400-A**

**Enclosed switches**

**Insulated enclosure**  
280 x 190 x 130 mm

With cover interlock  
in ON position

**Cable entries**  
4 x with screw thread  
M40x1,5

**770M1 (IP66)**  
**770M4 (IP66)**

Complete switch	Poles	Product line	Rated data (IEC 60947)			Order code number
			Operational current I <sub>e</sub>	Operational power at 380–440 V		
			AC-21A A	AC-23A kW	AC-3 kW	
Main Switches OFF position padlockable 09h	3 ... 4	H400-A	63	22	18,5	<b>H406 - 41 ... - 770M1</b>
			80	30	22	<b>H408 - 41 ... - 770M1</b>
			100	37	30	<b>H410 - 41 ... - 770M1</b>
Main/Emergency-Off Switches OFF position padlockable 09h	3 ... 4	H400-A	63	22	18,5	<b>H406 - 41 ... - 770M4</b>
			80	30	22	<b>H408 - 41 ... - 770M4</b>
			100	37	30	<b>H410 - 41 ... - 770M4</b>

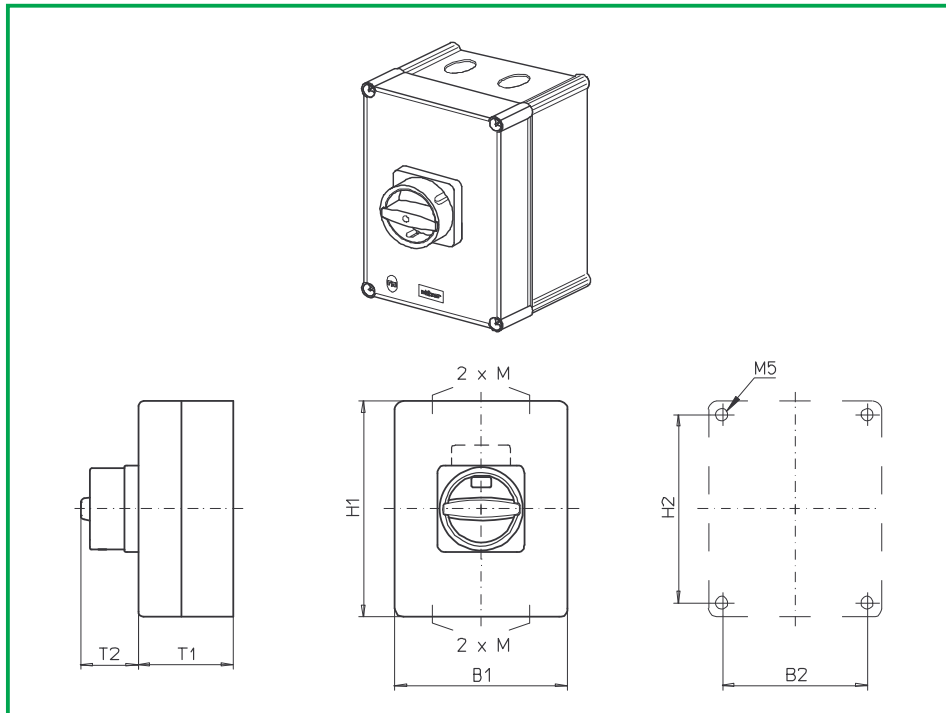
Realisable switching programmes:  
 3 pole **41300**, 41311, 41320, 41322, 41331, 41340  
 3 pole+N **46300**, 46311, 46320  
 4 pole **41400**, 41411, 41420

SMD modules for basic switch A02			
Mounting form module for 770M1/ 770M4		H400-A	<b>BFA4 - E8</b>
Enclosure module, mounting form 770M1			<b>PAH4 - 770M1</b>
Enclosure module, mounting form 770M4			<b>PAH4 - 770M4</b>

Note:  
2 x screw plugs with screw thread M40x1,5 part of delivery capacity.

Dimensions (mm)							
Product line	H1	B1	T1	T2	2xM	H2	B2
H400-A	280	190	130	50	M40x1,5	254	164

# Enclosed Switches



**Product line**  
**H400-A**

**Enclosed switches**

**Insulated enclosure**

280 x 190 x 130 mm

With cover interlock  
in ON position

**Cable entries**

4 x with screw thread  
M40x1,5

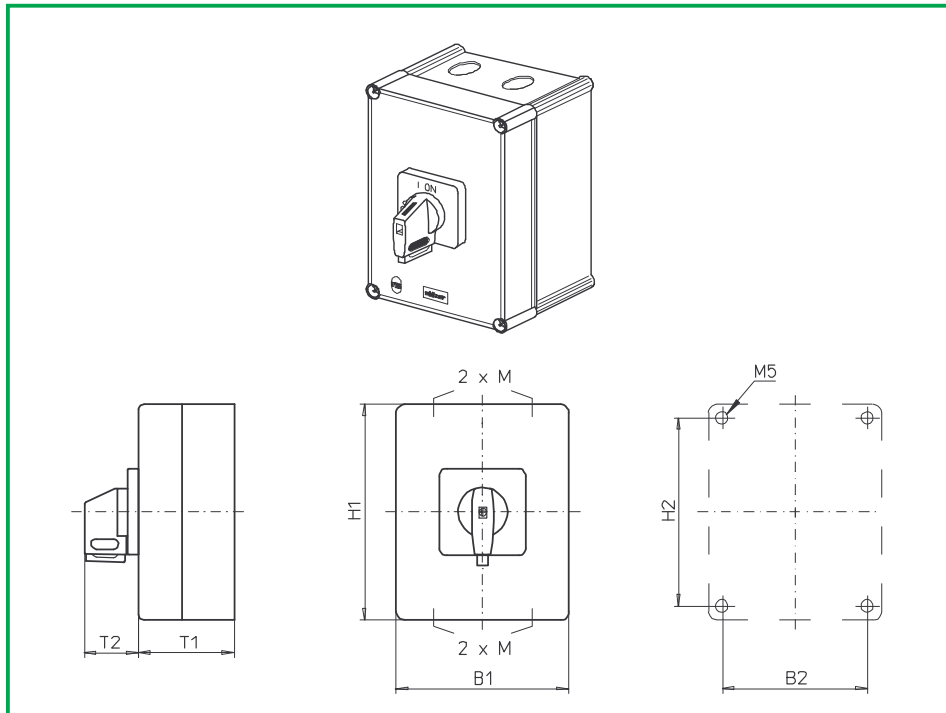
**770N1 (IP66)**

**770N4 (IP66)**

Complete switch	Poles	Product line	Rated data (IEC 60947)			Order code number	
			Operational current I <sub>e</sub>	Operational power at 380–440 V			
			AC-21A A	AC-23A kW	AC-3 kW		
Main Switches OFF position padlockable 09h	3 ... 4	H400-A	63	22	18,5	<b>H406 - 41 ... - 770N1</b>	
			80	30	22	<b>H408 - 41 ... - 770N1</b>	
			100	37	30	<b>H410 - 41 ... - 770N1</b>	
Main/Emergency-Off Switches OFF position padlockable 09h	3 ... 4	H400-A	63	22	18,5	<b>H406 - 41 ... - 770N4</b>	
			80	30	22	<b>H408 - 41 ... - 770N4</b>	
			100	37	30	<b>H410 - 41 ... - 770N4</b>	
Realisable switching programmes:							
3 pole <b>41300</b> , 41311, 41320, 41322, 41331, 41340							
3 pole+N <b>46300</b> , 46311, 46320							
4 pole <b>41400</b> , 41411, 41420							
<b>SMD modules for basic switch A02</b>							
Mounting form module for 770N1/ 770N4			H400-A		<b>BFA4 - E8</b>		
Enclosure module, mounting form 770N1					<b>PAH4 - 770N1</b>		
Enclosure module, mounting form 770N4					<b>PAH4 - 770N4</b>		
Note: 2 x screw plugs with screw thread M40x1,5 part of delivery capacity.							
<b>Dimensions (mm)</b>							
<b>Product line</b>	<b>H1</b>	<b>B1</b>	<b>T1</b>	<b>T2</b>	<b>2xM</b>	<b>H2</b>	<b>B2</b>
H400-A	280	190	130	45	M40x1,5	254	164



# Enclosed Switches



**Product line**  
**H400-A**

**Enclosed switches**

**Insulated enclosure**

280 x 190 x 130 mm

With cover interlock  
in ON position

**Cable entries**

4 x with screw thread  
M40x1,5

**770V1 (IP66)**

**770V4 (IP66)**

Complete switch	Poles	Product line	Rated data (IEC 60947)			Order code number
			Operational current I <sub>e</sub>	Operational power at 380–440 V		
			AC-21A A	AC-23A kW	AC-3 kW	
Main Switches OFF position padlockable 09h	3 ... 4	H400-A	63	22	18,5	<b>H406 - 41 ... - 770V1</b>
			80	30	22	<b>H408 - 41 ... - 770V1</b>
			100	37	30	<b>H410 - 41 ... - 770V1</b>
Main/Emergency-Off Switches OFF position padlockable 09h	3 ... 4	H400-A	63	22	18,5	<b>H406 - 41 ... - 770V4</b>
			80	30	22	<b>H408 - 41 ... - 770V4</b>
			100	37	30	<b>H410 - 41 ... - 770V4</b>

Realisable switching programmes:  
 3-pole **41300**, 41311, 41320, 41322, 41331, 41340  
 3-pole+N **46300**, 46311, 46320  
 4-pole **41400**, 41411, 41420

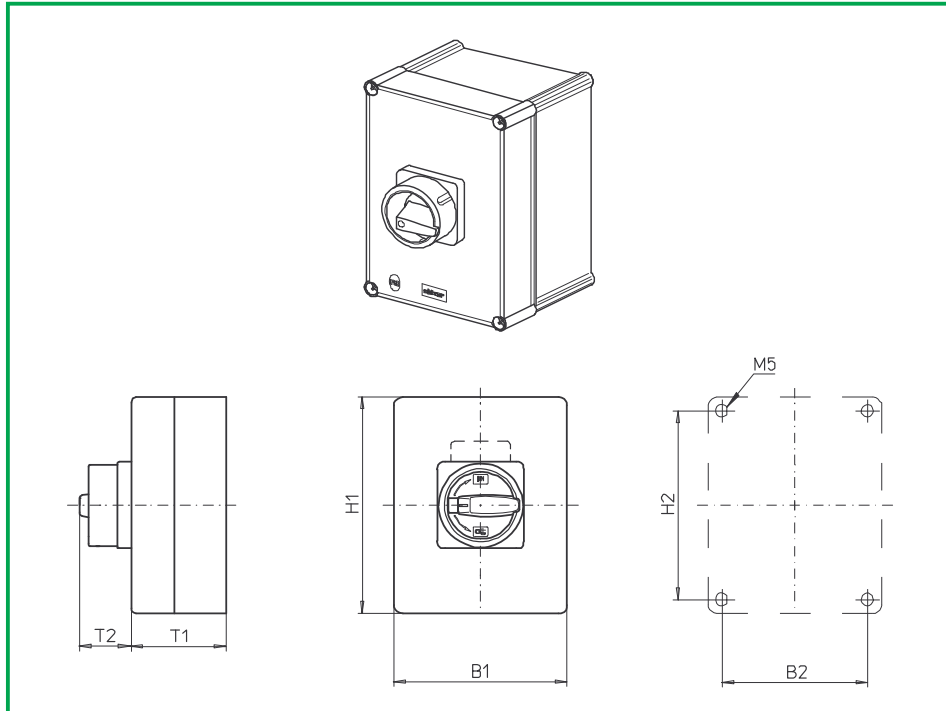
SMD modules for basic switch A02			
Mounting form module for 770V1/ 770V4		H400-A	<b>BFA4 - E8</b>
Enclosure module, mounting form 770V1			<b>PAH4 - 770V1</b>
Enclosure module, mounting form 770V4			<b>PAH4 - 770V4</b>
Legend plate silver, mounting form 770V1			<b>FAS4 - 9... (FA number)</b>
Legend plate yellow, mounting form 770V4			<b>FBS4 - 9... (FA number)</b>

Note:  
2 x screw plugs with screw thread M40x1,5 part of delivery capacity.

Dimensions (mm)							
Product line	H1	B1	T1	T2	2xM	H2	B2
H400-A	280	190	130	39	M40x1,5	254	164



# Enclosed Switches



**Product line**  
**H400-A**

**Enclosed switches**

**Insulated enclosure**

280 x 190 x 130 mm

With cover interlock  
in ON position

**Cable entries**

Blank side walls

**780M1 (IP66)**

**780M4 (IP66)**

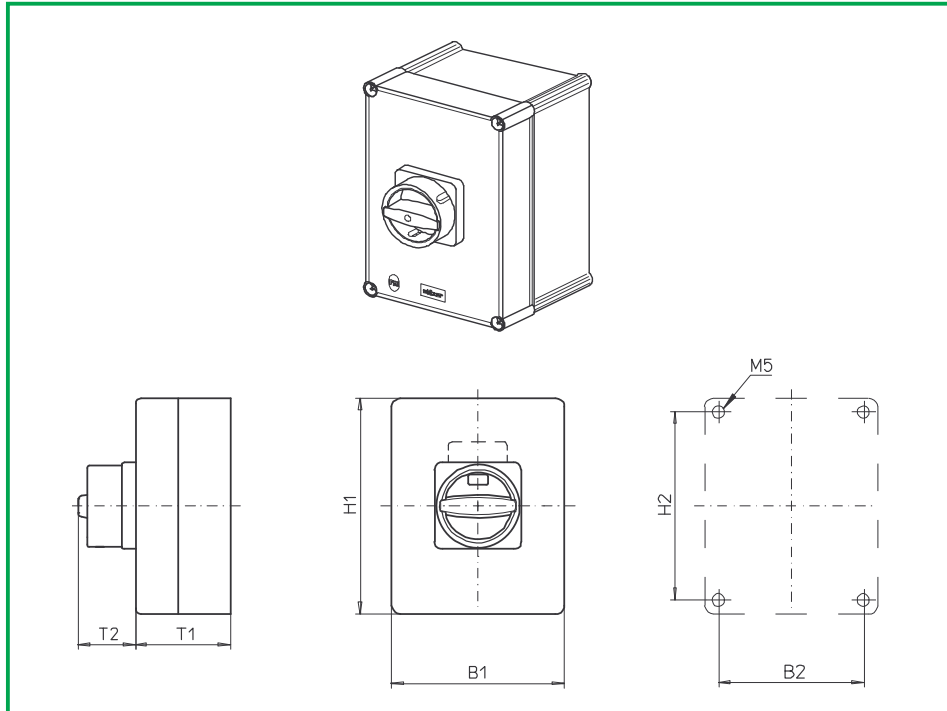
Complete switch	Poles	Product line	Rated data (IEC 60947)			Order code number
			Operational current I <sub>e</sub>	Operational power at 380–440 V		
			AC-21A A	AC-23A kW	AC-3 kW	
Main Switches OFF position padlockable 09h	3 ... 4	H400-A	63	22	18,5	<b>H406 - 41 ... - 780M1</b>
			80	30	22	<b>H408 - 41 ... - 780M1</b>
			100	37	30	<b>H410 - 41 ... - 780M1</b>
			125	45	37	<b>H412 - 41 ... - 780M1</b>
Main/Emergency-Off Switches OFF position padlockable 09h	3 ... 4	H400-A	63	22	18,5	<b>H406 - 41 ... - 780M4</b>
			80	30	22	<b>H408 - 41 ... - 780M4</b>
			100	37	30	<b>H410 - 41 ... - 780M4</b>
			125	45	37	<b>H412 - 41 ... - 780M4</b>

Realisable switching programmes:  
 3-pole **41300**, 41311, 41320, 41322, 41331, 41340  
 3-pole+N **46300**, 46311, 46320  
 4-pole **41400**, 41411, 41420

SMD modules for basic switch A02		
Mounting form module for 780M1/ 780M4	H400-A	<b>BFA4 - E8</b>
Enclosure module, mounting form 780M1		<b>PAH4 - 780M1</b>
Enclosure module, mounting form 780M4		<b>PAH4 - 780M4</b>

Dimensions (mm)						
Product line	H1	B1	T1	T2	H2	B2
H400-A	280	190	130	50	254	164

# Enclosed Switches



**Product line**  
H400-A

**Enclosed switches**

**Insulated enclosure**

280 x 190 x 130 mm

With cover interlock  
in ON position

**Cable entries**

Blank side walls

**780N1 (IP66)**

**780N4 (IP66)**

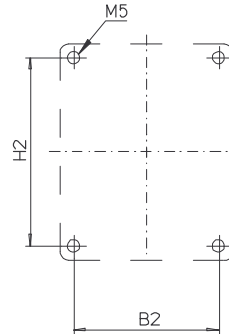
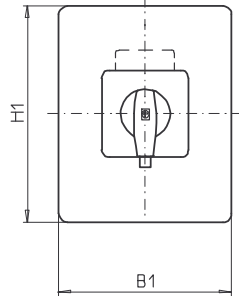
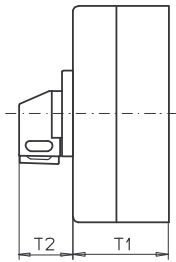
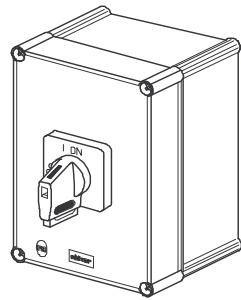
Complete switch	Poles	Product line	Rated data (IEC 60947)			Order code number
			Operational current I <sub>e</sub>	Operational power at 380–440 V		
			AC-21A A	AC-23A kW	AC-3 kW	
Main Switches OFF position padlockable 09h	3 ... 4	H400-A	63	22	18,5	<b>H406 - 41 ... - 780N1</b>
			80	30	22	<b>H408 - 41 ... - 780N1</b>
			100	37	30	<b>H410 - 41 ... - 780N1</b>
			125	45	37	<b>H412 - 41 ... - 780N1</b>
Main/Emergency-Off Switches OFF position padlockable 09h	3 ... 4	H400-A	63	22	18,5	<b>H406 - 41 ... - 780N4</b>
			80	30	22	<b>H408 - 41 ... - 780N4</b>
			100	37	30	<b>H410 - 41 ... - 780N4</b>
			125	45	37	<b>H412 - 41 ... - 780N4</b>

Realisable switching programmes:  
 3-pole **41300**, 41311, 41320, 41322, 41331, 41340  
 3-pole+N **46300**, 46311, 46320  
 4-pole **41400**, 41411, 41420

SMD modules for basic switch A02		
Mounting form module for 780N1/ 780N4	H400-A	<b>BFA4 - E8</b>
Enclosure module, mounting form 780N1		<b>PAH4 - 780N1</b>
Enclosure module, mounting form 780N4		<b>PAH4 - 780N4</b>

Dimensions (mm)						
Product line	H1	B1	T1	T2	H2	B2
H400-A	280	190	130	45	254	164

# Enclosed Switches



**Product line  
H400-A**

**Enclosed switches**

**Insulated enclosure**  
280 x 190 x 130 mm

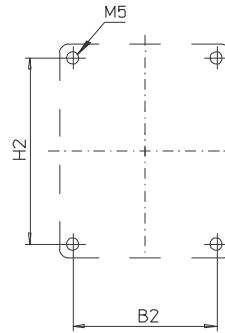
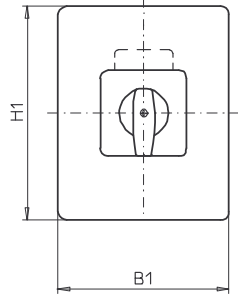
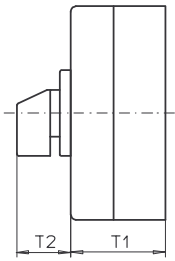
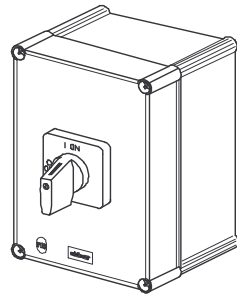
With cover interlock  
in ON position

**Cable entries**  
Blank side walls

**780V1 (IP66)**  
**780V4 (IP66)**

Complete switch	Poles	Product line	Rated data (IEC 60947)			Order code number
			Operational current I <sub>e</sub>	Operational power at 380–440 V		
			AC-21A A	AC-23A kW	AC-3 kW	
Main Switches OFF position padlockable 09h	3 ... 4	H400-A	63	22	18,5	<b>H406 - 41 ... - 780V1</b>
			80	30	22	<b>H408 - 41 ... - 780V1</b>
			100	37	30	<b>H410 - 41 ... - 780V1</b>
			125	45	37	<b>H412 - 41 ... - 780V1</b>
Main/Emergency-Off Switches OFF position padlockable 09h	3 ... 4	H400-A	63	22	18,5	<b>H406 - 41 ... - 780V4</b>
			80	30	22	<b>H408 - 41 ... - 780V4</b>
			100	37	30	<b>H410 - 41 ... - 780V4</b>
			125	45	37	<b>H412 - 41 ... - 780V4</b>
Realisable switching programmes:						
3-pole <b>41300</b> , 41311, 41320, 41322, 41331, 41340						
3-pole+N <b>46300</b> , 46311, 46320						
4-pole <b>41400</b> , 41411, 41420						
<b>SMD modules for basic switch A02</b>						
Mounting form module for 780V1/ 780V4			H400-A		<b>BFA4 - E8</b>	
Enclosure module, mounting form 780V1					<b>PAH4 - 780V1</b>	
Enclosure module, mounting form 780V4					<b>PAH4 - 780V4</b>	
Legend plate silver, mounting form 780V1					<b>FAS4 - 9...</b> (FA number)	
Legend plate yellow, mounting form 780V4					<b>FBS4 - 9...</b> (FA number)	
<b>Dimensions (mm)</b>						
<b>Product line</b>	<b>H1</b>	<b>B1</b>	<b>T1</b>	<b>T2</b>	<b>H2</b>	<b>B2</b>
H400-A	280	190	130	39	254	164

# Enclosed Switches



**Product line  
H400-A**

**Enclosed switches**

**Insulated enclosure**

280 x 190 x 130 mm

With cover interlock  
in ON position

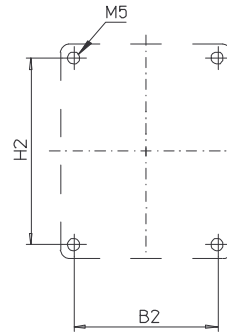
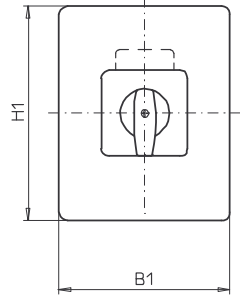
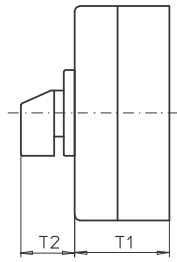
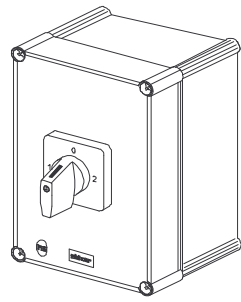
**Cable entries**

Blank side walls

**781M1 (IP66)**

Complete switch	Poles	Product line	Rated data (IEC 60947)			Order code number
			Operational current I <sub>e</sub>	Operational power at 380–440 V		
			AC-21A A	AC-23A kW	AC-3 kW	
ON-OFF Switches Switching angle 90°	3 ... 4	H400-A	63	22	18,5	<b>H406 - 41 ... - 781M1</b>
			80	30	22	<b>H408 - 41 ... - 781M1</b>
			100	37	30	<b>H410 - 41 ... - 781M1</b>
			125	45	37	<b>H412 - 41 ... - 781M1</b>
Realisable switching programmes:						
3-pole <b>41300</b> , 41311, 41320, 41322, 41331, 41340						
3-pole+N <b>46300</b> , 46311, 46320						
4-pole <b>41400</b> , 41411, 41420						
<b>SMD modules for basic switch A02</b>						
Mounting form module for 781M1			H400-A		<b>BFA4 - E8</b>	
Enclosure module, mounting form 781M1					<b>PAH4 - 781M1</b>	
Legend plate silver, enclosure module 781M1					<b>FAS6 - 9078</b>	
<b>Dimensions (mm)</b>						
<b>Product line</b>	<b>H1</b>	<b>B1</b>	<b>T1</b>	<b>T2</b>	<b>H2</b>	<b>B2</b>
H400-A	280	190	130	52	254	164

# Enclosed Switches



**Product line**  
**H400-E**

**Enclosed switches**

**Insulated enclosure**

280 x 190 x 130 mm

With cover interlock  
in ON position

with PE-terminal M8

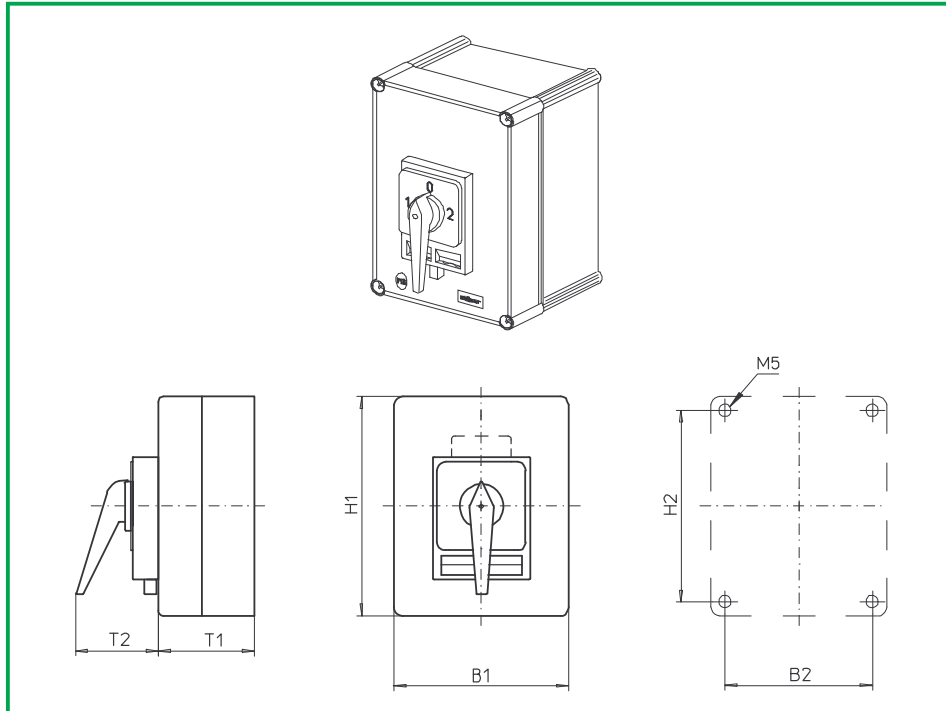
**Cable entries**

Blank side walls

**785M1 (IP66)**

Complete switch	Poles	Product line	Rated data (IEC 60947)			Order code number
			Operational current I <sub>e</sub>	Operational power at 380–440 V		
			AC-21A A	AC-23A kW	AC-3 kW	
Changeover with OFF Switching angle 90°	2	H400-E	63	22	18,5	<b>H406 - 71 ... - 785M1</b>
			80	30	22	<b>H408 - 71 ... - 785M1</b>
			100	37	30	<b>H410 - 71 ... - 785M1</b>
			125	45	37	<b>H412 - 71 ... - 785M1</b>
Realisable switching programmes: 2-pole <b>71200</b>						
<b>SMD modules for basic switch A02</b>						
Mounting form module for 785M1			H400-E		<b>BFD4 - ED</b>	
Enclosure module, mounting form 785M1					<b>PAH4 - 785M1</b>	
Legend plate silver, enclosure module 785M					<b>FAS4 - 9...</b> (FA number)	
<b>Dimensions (mm)</b>						
<b>Product line</b>	<b>H1</b>	<b>B1</b>	<b>T1</b>	<b>T2</b>	<b>H2</b>	<b>B2</b>
H400-E	280	190	130	39	254	164

# Enclosed Switches



**Product line**  
**H400-E**

**Enclosed switches**

**Insulated enclosure**

280 x 190 x 130 mm

With cover interlock  
in ON position

with PE-terminal M8

**Cable entries**

Blank side walls

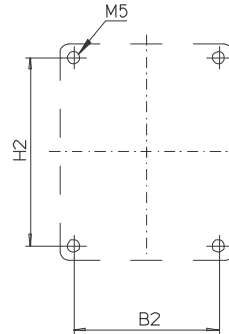
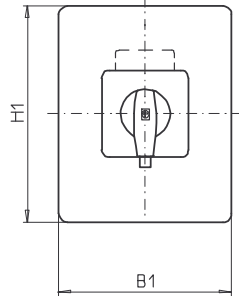
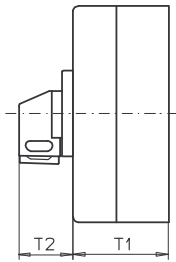
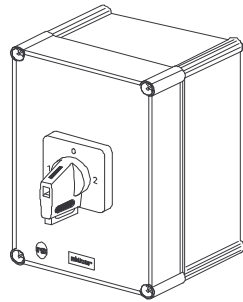
**785H1 (IP66)**

**786H1 (IP66)**

Complete switch	Poles	Product line	Rated data (IEC 60947)			Order code number
			Operational current I <sub>e</sub>	Operational power at 380–440 V		
			AC-21A A	AC-23A kW	AC-3 kW	
Changeover with OFF Switching angle 90° OFF position padlockable 12h	2	H400-E	63	22	18,5	<b>H406 - 71 ... - 785H1</b>
			80	30	22	<b>H408 - 71 ... - 785H1</b>
			100	37	30	<b>H410 - 71 ... - 785H1</b>
			125	45	37	<b>H412 - 71 ... - 785H1</b>
Changeover with OFF Switching angle 90° 3 positions padlockable (09h/ 12h/ 03h)	2	H400-E	63	22	18,5	<b>H406 - 71 ... - 786H1</b>
			80	30	22	<b>H408 - 71 ... - 786H1</b>
			100	37	30	<b>H410 - 71 ... - 786H1</b>
			125	45	37	<b>H412 - 71 ... - 786H1</b>
Realisable switching programmes: 2-pole <b>71200</b>						
<b>SMD modules for basic switch A02</b>						
Mounting form module for 785H1/ 786H1			H400-E		<b>BFD4 - ED</b>	
Enclosure module, mounting form 785H1					<b>PAH4 - 785H1</b>	
Enclosure module, mounting form 786H1					<b>PAH4 - 786H1</b>	
Legend plate silver, mounting form 785H1/ 786H1					<b>FAS4 - 9...</b> (FA number)	
<b>Dimensions (mm)</b>						
<b>Product line</b>	<b>H1</b>	<b>B1</b>	<b>T1</b>	<b>T2</b>	<b>H2</b>	<b>B2</b>
H400-E	280	190	130	75	254	164



# Enclosed Switches



**Product line**  
**H400-E**

**Enclosed switches**

**Insulated enclosure**

280 x 190 x 130 mm

With cover interlock  
in ON position

with PE-terminal M8

**Cable entries**

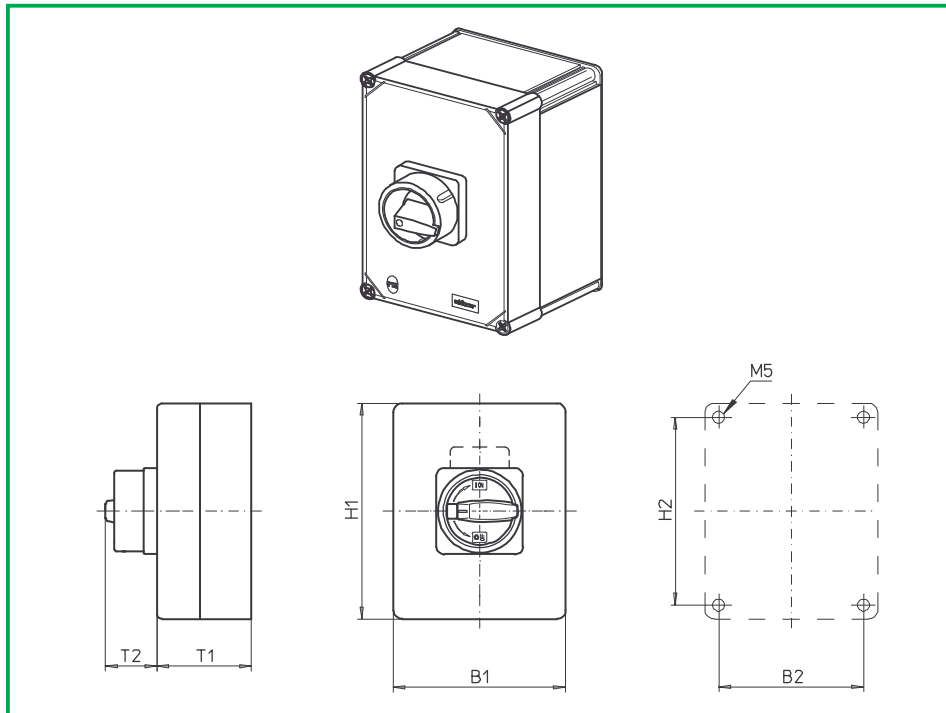
Blank side walls

**785V1 (IP66)**

**786V1 (IP66)**

Complete switch	Poles	Product line	Rated data (IEC 60947)			Order code number
			Operational current $I_e$	Operational power at 380–440 V		
			AC-21A A	AC-23A kW	AC-3 kW	
Changeover with OFF Switching angle 90° OFF position padlockable 12h	2	H400-E	63	22	18,5	<b>H406 - 71 ... - 785V1</b>
			80	30	22	<b>H408 - 71 ... - 785V1</b>
			100	37	30	<b>H410 - 71 ... - 785V1</b>
			125	45	37	<b>H412 - 71 ... - 785V1</b>
Changeover with OFF Switching angle 90° 3 positions padlockable (09h/ 12h/ 03h)	2	H400-E	63	22	18,5	<b>H406 - 71 ... - 786V1</b>
			80	30	22	<b>H408 - 71 ... - 786V1</b>
			100	37	30	<b>H410 - 71 ... - 786V1</b>
			125	45	37	<b>H412 - 71 ... - 786V1</b>
Realisable switching programmes: 2-pole <b>71200</b>						
<b>SMD modules for basic switch A02</b>						
Mounting form module for 785V1/ 786V1			H400-E		<b>BFD4 - ED</b>	
Enclosure module, mounting form 785V1					<b>PAH4 - 785V1</b>	
Enclosure module, mounting form 786V1					<b>PAH4 - 786V1</b>	
Legend plate silver, mounting form 785V1/ 786V1					<b>FAS4 - 9...</b> (FA number)	
<b>Dimensions (mm)</b>						
<b>Product line</b>	<b>H1</b>	<b>B1</b>	<b>T1</b>	<b>T2</b>	<b>H2</b>	<b>B2</b>
H400-E	280	190	130	39	254	164

# Enclosed Switches



**Product line**  
**H400-A**

**Enclosed switches**

**Insulated enclosure**  
320 x 220 x 180 mm

With cover interlock  
in ON position

with PE-terminal M8

**Cable entries**  
Gland plates

**461M1 (IP66)**

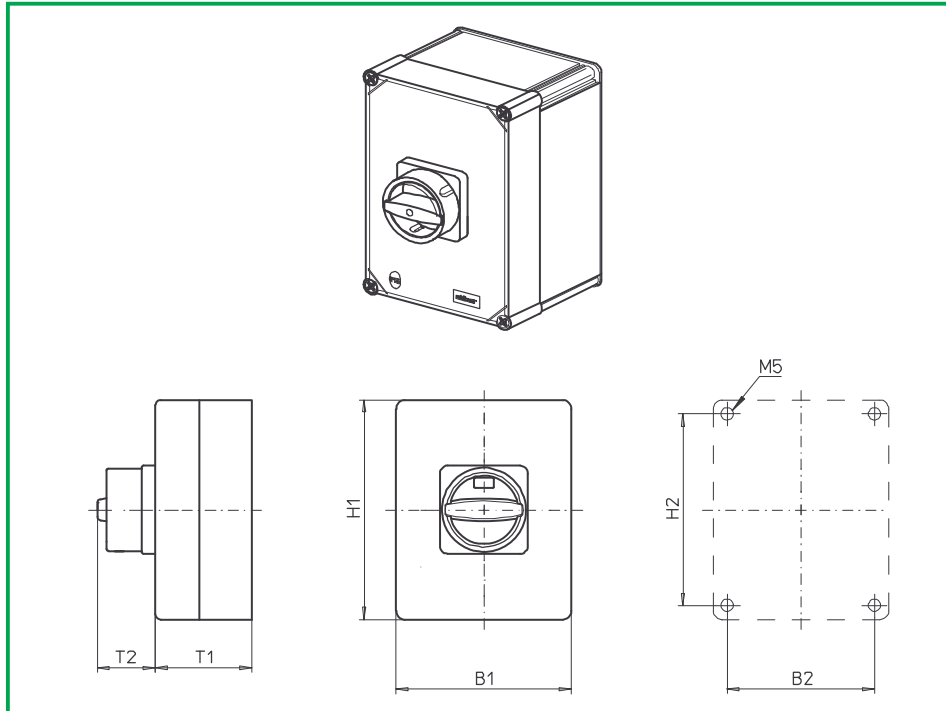
**461M4 (IP66)**

Complete switch	Poles	Product line	Rated data (IEC 60947)			Order code number
			Operational current $I_e$	Operational power at 380–440 V		
			AC-21A A	AC-23A kW	AC-3 kW	
Main Switches OFF position padlockable 09h	4	H400-A	63	22	18,5	<b>H406 - 41 ... - 461M1</b>
			80	30	22	<b>H408 - 41 ... - 461M1</b>
			100	37	30	<b>H410 - 41 ... - 461M1</b>
			125	45	37	<b>H412 - 41 ... - 461M1</b>
Main/Emergency-Off Switches OFF position padlockable 09h	4	H400-A	63	22	18,5	<b>H406 - 41 ... - 461M4</b>
			80	30	22	<b>H408 - 41 ... - 461M4</b>
			100	37	30	<b>H410 - 41 ... - 461M4</b>
			125	45	37	<b>H412 - 41 ... - 461M4</b>

SMD modules for basic switch A02		
Mounting form module (switch module ED)	H400-A	<b>BFA4 - ED</b>
Enclosure module, mounting form 461M1		<b>PAH4 - 461M1</b>
Enclosure module, mounting form 461M4		<b>PAH4 - 461M4</b>

Dimensions (mm)						
Product line	H1	B1	T1	T2	H2	B2
H400-A	320	220	180	50	293	193

# Enclosed Switches



**Product line**  
**H400-A**

**Enclosed switches**

**Insulated enclosure**  
320 x 220 x 180 mm

With cover interlock  
in ON position

with PE-terminal M8

**Cable entries**  
Gland plates

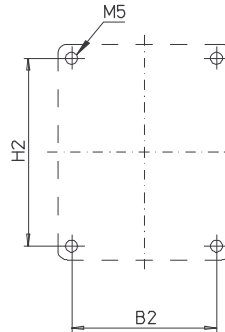
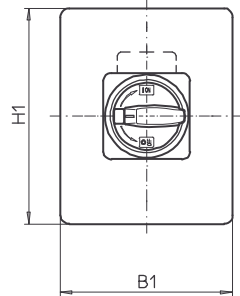
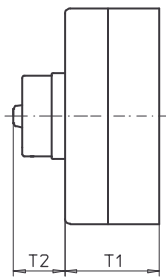
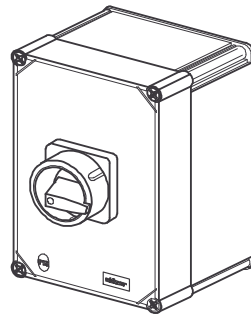
**461N1 (IP66)**  
**461N4 (IP66)**

Complete switch	Poles	Product line	Rated data (IEC 60947)			Order code number
			Operational current $I_e$	Operational power at 380–440 V		
			AC-21A A	AC-23A kW	AC-3 kW	
Main Switches OFF position padlockable 09h	4	H400-A	63	22	18,5	<b>H406 - 41 ... - 461N1</b>
			80	30	22	<b>H408 - 41 ... - 461N1</b>
			100	37	30	<b>H410 - 41 ... - 461N1</b>
			125	45	37	<b>H412 - 41 ... - 461N1</b>
Main/Emergency-Off Switches OFF position padlockable 09h	4	H400-A	63	22	18,5	<b>H406 - 41 ... - 461N4</b>
			80	30	22	<b>H408 - 41 ... - 461N4</b>
			100	37	30	<b>H410 - 41 ... - 461N4</b>
			125	45	37	<b>H412 - 41 ... - 461N4</b>

SMD modules for basic switch A02		
Mounting form module (switch module ED)	H400-A	<b>BFA4 - ED</b>
Enclosure module, mounting form 461N1		<b>PAH4 - 461N1</b>
Enclosure module, mounting form 461N4		<b>PAH4 - 461N4</b>

Dimensions (mm)						
Product line	H1	B1	T1	T2	H2	B2
H400-A	320	220	180	45	293	193

# Enclosed Switches



**Product line  
H400-A**

**Enclosed switches**

**Insulated enclosure**  
320 x 220 x 180 mm

With cover interlock  
in ON position

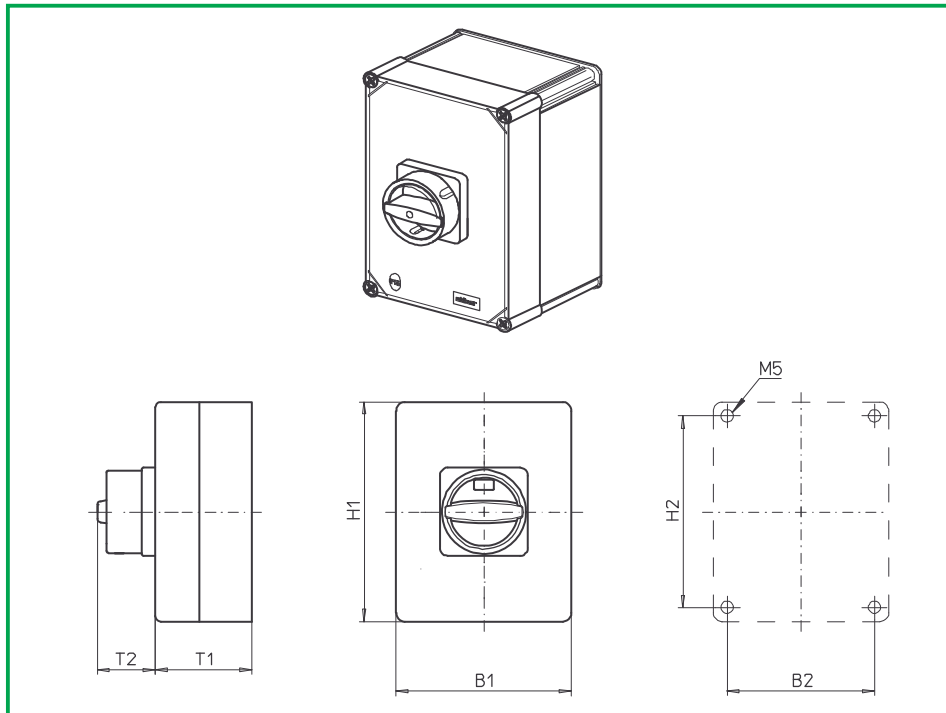
**Cable entries**  
Gland plates

**471M1 (IP66)**

**471M4 (IP66)**

Complete switch	Poles	Product line	Rated data (IEC 60947)			Order code number
			Operational current I <sub>e</sub>	Operational power at 380–440 V		
			AC-21A A	AC-23A kW	AC-3 kW	
Main Switches OFF position padlockable 09h	3 ... 4	H400-A	63	22	18,5	<b>H406 - 41 ... - 471M1</b>
			80	30	22	<b>H408 - 41 ... - 471M1</b>
			100	37	30	<b>H410 - 41 ... - 471M1</b>
			125	45	37	<b>H412 - 41 ... - 471M1</b>
Main/Emergency-Off Switches OFF position padlockable 09h	3 ... 4	H400-A	63	22	18,5	<b>H406 - 41 ... - 471M4</b>
			80	30	22	<b>H408 - 41 ... - 471M4</b>
			100	37	30	<b>H410 - 41 ... - 471M4</b>
			125	45	37	<b>H412 - 41 ... - 471M4</b>
<b>SMD modules for basic switch A02</b>						
Mounting form module (switch module ED)			H400-A			<b>BFA4 - ED</b>
Enclosure module, mounting form 471M1						<b>PAH4 - 471M1</b>
Enclosure module, mounting form 471M4						<b>PAH4 - 471M4</b>
<b>Dimensions (mm)</b>						
<b>Product line</b>	<b>H1</b>	<b>B1</b>	<b>T1</b>	<b>T2</b>	<b>H2</b>	<b>B2</b>
H400-A	320	220	180	50	293	193

# Enclosed Switches



**Product line**  
**H400-A**

**Enclosed switches**

**Insulated enclosure**  
320 x 220 x 180 mm

With cover interlock  
in ON position

**Cable entries**  
Gland plates

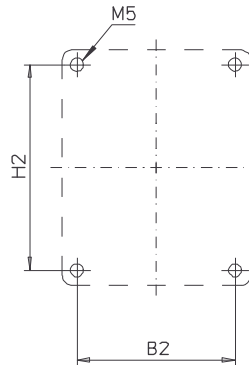
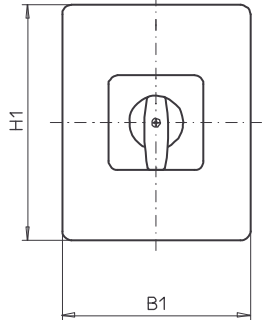
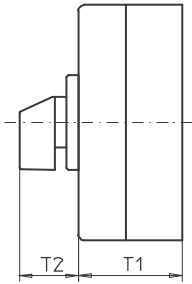
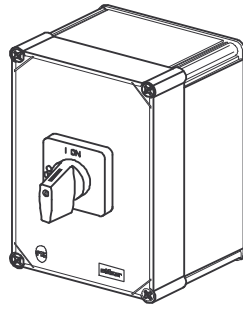
**471N1 (IP66)**  
**471N4 (IP66)**

Complete switch	Poles	Product line	Rated data (IEC 60947)			Order code number
			Operational current I <sub>e</sub>	Operational power at 380–440 V		
			AC-21A A	AC-23A kW	AC-3 kW	
Main Switches OFF position padlockable 09h	3 ... 4	H400-A	63	22	18,5	<b>H406 - 41 ... - 471N1</b>
			80	30	22	<b>H408 - 41 ... - 471N1</b>
			100	37	30	<b>H410 - 41 ... - 471N1</b>
			125	45	37	<b>H412 - 41 ... - 471N1</b>
Main/Emergency-Off Switches OFF position padlockable 09h	3 ... 4	H400-A	63	22	18,5	<b>H406 - 41 ... - 471N4</b>
			80	30	22	<b>H408 - 41 ... - 471N4</b>
			100	37	30	<b>H410 - 41 ... - 471N4</b>
			125	45	37	<b>H412 - 41 ... - 471N4</b>

SMD modules for basic switch A02		
Mounting form module (switch module ED)	H400-A	<b>BFA4 - ED</b>
Enclosure module, mounting form 471N1		<b>PAH4 - 471N1</b>
Enclosure module, mounting form 471N4		<b>PAH4 - 471N4</b>

Dimensions (mm)						
Product line	H1	B1	T1	T2	H2	B2
H400-A	320	220	180	45	293	193

# Enclosed Switches



**Product lines**  
**H400-D/ E**

**Enclosed switches**

**Insulated enclosure**  
320 x 220 x 180 mm

With cover interlock  
in ON position

**Cable entries**  
Gland plates

**976M1 (IP66)**

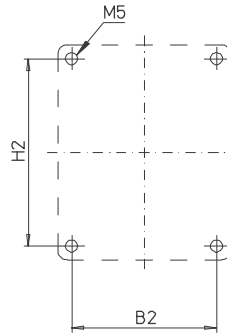
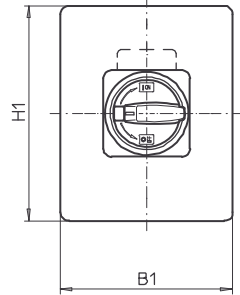
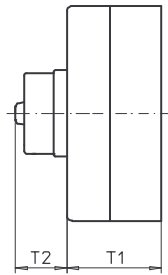
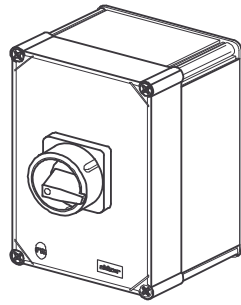
**978M1 (IP66)**

Complete switch	Poles	Product line	Rated data (IEC 60947)			Order code number
			Operational current I <sub>e</sub>	Operational power at 380–440 V		
			AC-21A A	AC-23A kW	AC-3 kW	
ON-OFF Switches Switching angle 90°	6 ... 8	H400-D	63	22	18,5	<b>H406 - 41 ... - 978M1</b>
			80	30	22	<b>H408 - 41 ... - 978M1</b>
			100	37	30	<b>H410 - 41 ... - 978M1</b>
			125	45	37	<b>H412 - 41 ... - 978M1</b>
Changeover with OFF Switching angle 90°	3 ... 4	H400-E	63	22	18,5	<b>H406 - 71 ... - 976M1</b>
			80	30	22	<b>H408 - 71 ... - 976M1</b>
			100	37	30	<b>H410 - 71 ... - 976M1</b>
			125	45	37	<b>H412 - 71 ... - 976M1</b>

SMD modules for basic switch A02		
Mounting form module (switch module ED)	H400-D	<b>BFB4 - ED</b>
Mounting form module (switch module ED)	H400-E	<b>BFC4 - ED</b>
Enclosure module, mounting form 978M1	H400-D	<b>PAH4 - 978M1</b>
Enclosure module, mounting form 976M1	H400-E	<b>PAH4 - 976M1</b>
Legend plate silver, enclosure module 976M1/ 978M1		<b>FAS6 - 9 ... (FA number)</b>

Dimensions (mm)						
Product lines	H1	B1	T1	T2	H2	B2
H400-D	320	220	180	52	293	193
H400-E	320	220	180	52	293	193

# Enclosed Switches



**Product line**  
**H400-D**

**Enclosed switches**

**Insulated enclosure**  
320 x 220 x 180 mm

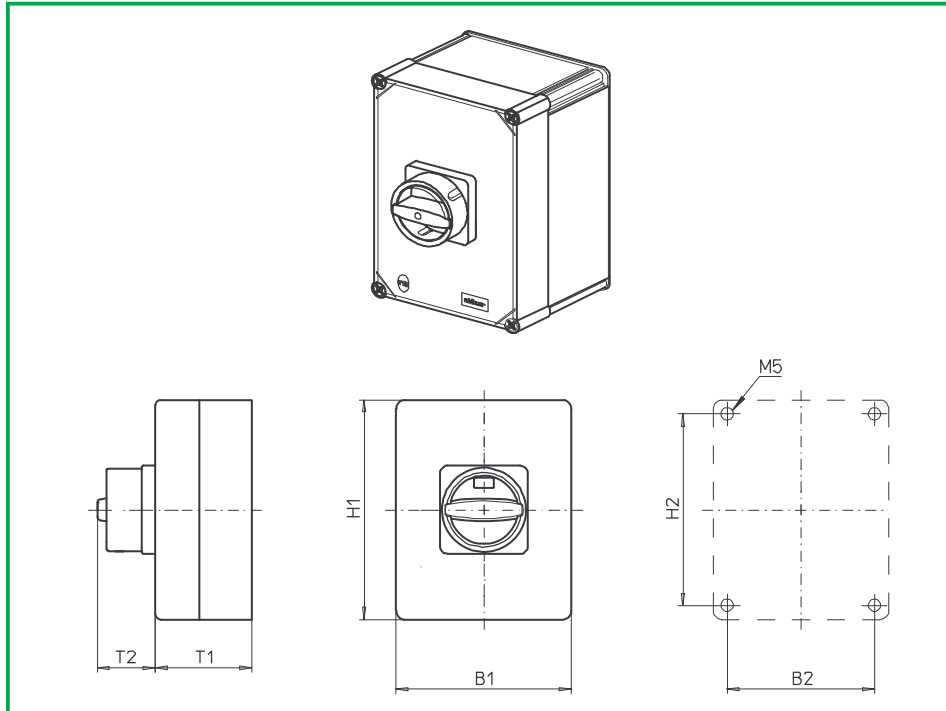
With cover interlock  
in ON position

**Cable entries**  
Gland plates

**977M1 (IP66)**  
**977M4 (IP66)**

Complete switch	Poles	Product line	Rated data (IEC 60947)			Order code number
			Operational current I <sub>e</sub>	Operational power at 380–440 V		
			AC-21A A	AC-23A kW	AC-3 kW	
Main Switches OFF position padlockable 09h	6 ... 8	H400-D	63	22	18,5	<b>H406 - 41 ... - 977M1</b>
			80	30	22	<b>H408 - 41 ... - 977M1</b>
			100	37	30	<b>H410 - 41 ... - 977M1</b>
			125	45	37	<b>H412 - 41 ... - 977M1</b>
Main/Emergency-Off Switches OFF position padlockable 09h	6 ... 8	H400-D	63	22	18,5	<b>H406 - 41 ... - 977M4</b>
			80	30	22	<b>H408 - 41 ... - 977M4</b>
			100	37	30	<b>H410 - 41 ... - 977M4</b>
			125	45	37	<b>H412 - 41 ... - 977M4</b>
<b>SMD modules for basic switch A02</b>						
Mounting form module (switch module ED)			H400-D			<b>BFB4 - ED</b>
Enclosure module, mounting form 977M1						<b>PAH4 - 977M1</b>
Enclosure module, mounting form 977M4						<b>PAH4 - 977M4</b>
<b>Dimensions (mm)</b>						
<b>Product line</b>	<b>H1</b>	<b>B1</b>	<b>T1</b>	<b>T2</b>	<b>H2</b>	<b>B2</b>
H400-D	320	220	180	50	293	193

# Enclosed Switches



**Product line**  
**H400-D**

**Enclosed switches**

**Insulated enclosure**  
320 x 220 x 180 mm

With cover interlock  
in ON position

**Cable entries**  
Gland plates

**977N1 (IP66)**  
**977N4 (IP66)**

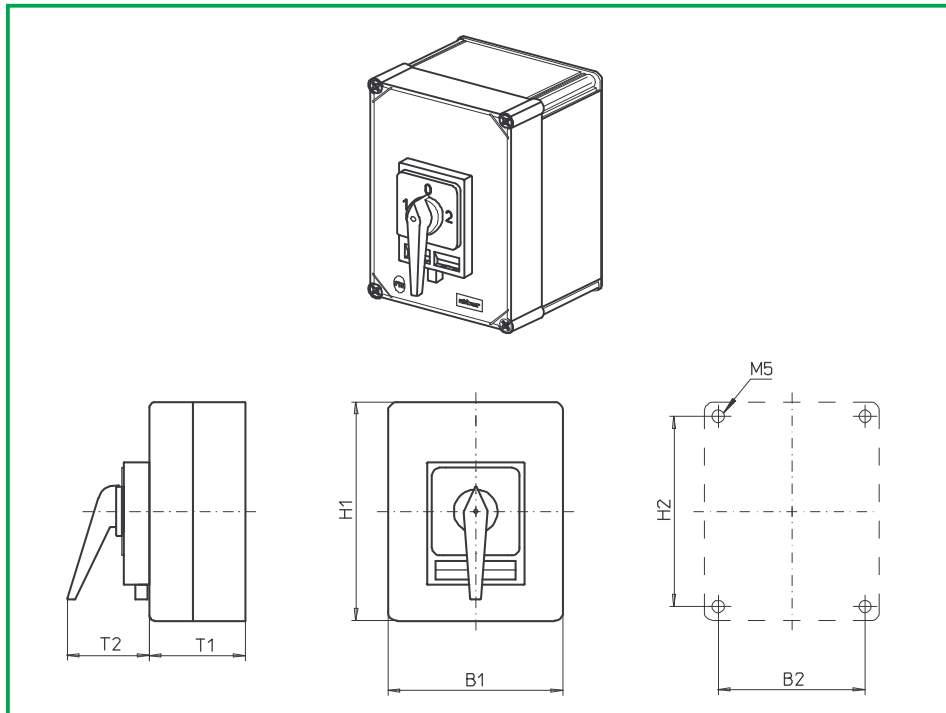
Complete switch	Poles	Product line	Rated data (IEC 60947)			Order code number
			Operational current $I_e$	Operational power at 380–440 V		
			AC-21A A	AC-23A kW	AC-3 kW	
Main Switches OFF position padlockable 09h	6 ... 8	H400-D	63	22	18,5	<b>H406 - 41 ... - 977N1</b>
			80	30	22	<b>H408 - 41 ... - 977N1</b>
			100	37	30	<b>H410 - 41 ... - 977N1</b>
			125	45	37	<b>H412 - 41 ... - 977N1</b>
Main/Emergency-Off Switches OFF position padlockable 09h	6 ... 8	H400-D	63	22	18,5	<b>H406 - 41 ... - 977N4</b>
			80	30	22	<b>H408 - 41 ... - 977N4</b>
			100	37	30	<b>H410 - 41 ... - 977N4</b>
			125	45	37	<b>H412 - 41 ... - 977N4</b>

SMD modules for basic switch A02			
Mounting form module (switch module ED)		H400-D	<b>BFB4 - ED</b>
Enclosure module, mounting form 977N1			<b>PAH4 - 977N1</b>
Enclosure module, mounting form 977N4			<b>PAH4 - 977N4</b>

Dimensions (mm)						
Product line	H1	B1	T1	T2	H2	B2
H400-D	320	220	180	45	293	193



# Enclosed Switches



**Product line**  
**H400-E**

**Enclosed switches**

**Insulated enclosure**  
320 x 220 x 180 mm

With cover interlock  
in ON position

**Cable entries**  
Gland plates

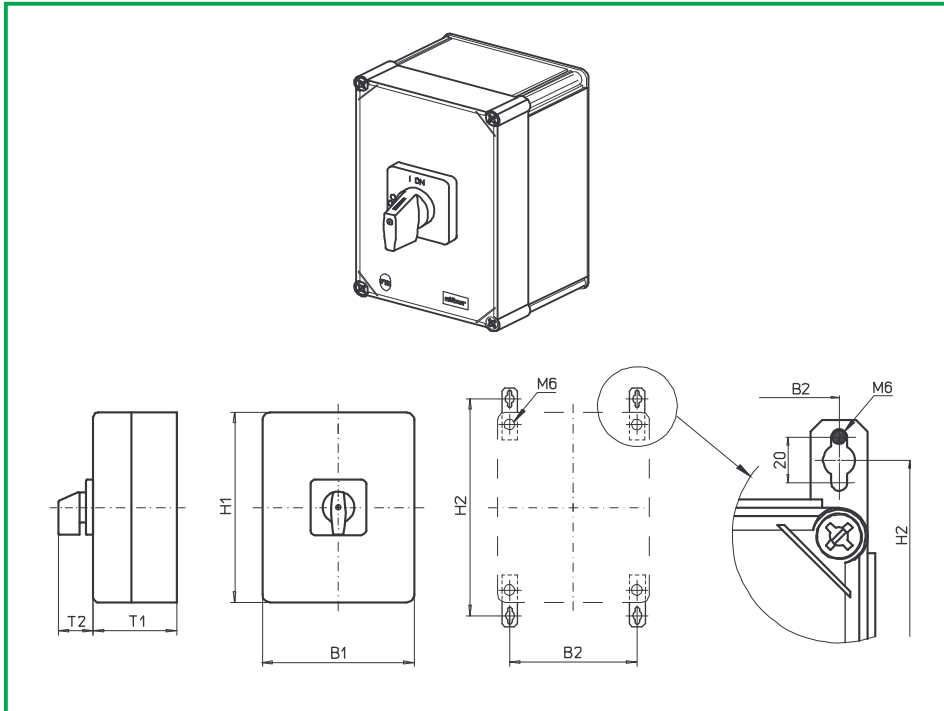
**976H1 (IP66)**  
**979H1 (IP66)**

Complete switch	Poles	Product line	Rated data (IEC 60947)			Order code number
			Operational current $I_e$	Operational power at 380–440 V		
			AC-21A A	AC-23A kW	AC-3 kW	
Changeover with OFF Switching angle 90° OFF position padlockable 12h	3 ... 4	H400-E	63	22	18,5	<b>H406 - 71 ... - 976H1</b>
			80	30	22	<b>H408 - 71 ... - 976H1</b>
			100	37	30	<b>H410 - 71 ... - 976H1</b>
			125	45	37	<b>H412 - 71 ... - 976H1</b>
Changeover with OFF Switching angle 90° 3 positions padlockable (09h/ 12h/ 03h)	3 ... 4	H400-E	63	22	18,5	<b>H406 - 71 ... - 979H1</b>
			80	30	22	<b>H408 - 71 ... - 979H1</b>
			100	37	30	<b>H410 - 71 ... - 979H1</b>
			125	45	37	<b>H412 - 71 ... - 979H1</b>

SMD modules for basic switch A02		
Mounting form module for 976H1/979H1	H400-E	<b>BFC4 - ED</b>
Enclosure module, mounting form 976H1		<b>PAH4 - 976H1</b>
Enclosure module, mounting form 979H1		<b>PAH4 - 979H1</b>
Legend plate silver, enclosure module 976H1/979H1		<b>FAS6 - 9 ... (FA number)</b>

Dimensions (mm)						
Product line	H1	B1	T1	T2	H2	B2
H400-E	320	220	180	83	293	193

# Enclosed Switches



**Product lines**  
**H400-D/ E**

**Enclosed switches**

**Insulated enclosure**

440 x 320 x 180 mm

With cover interlock  
in ON position

with PE-terminal M8

**Cable entries**

Gland plates

**566M1 (IP66)**

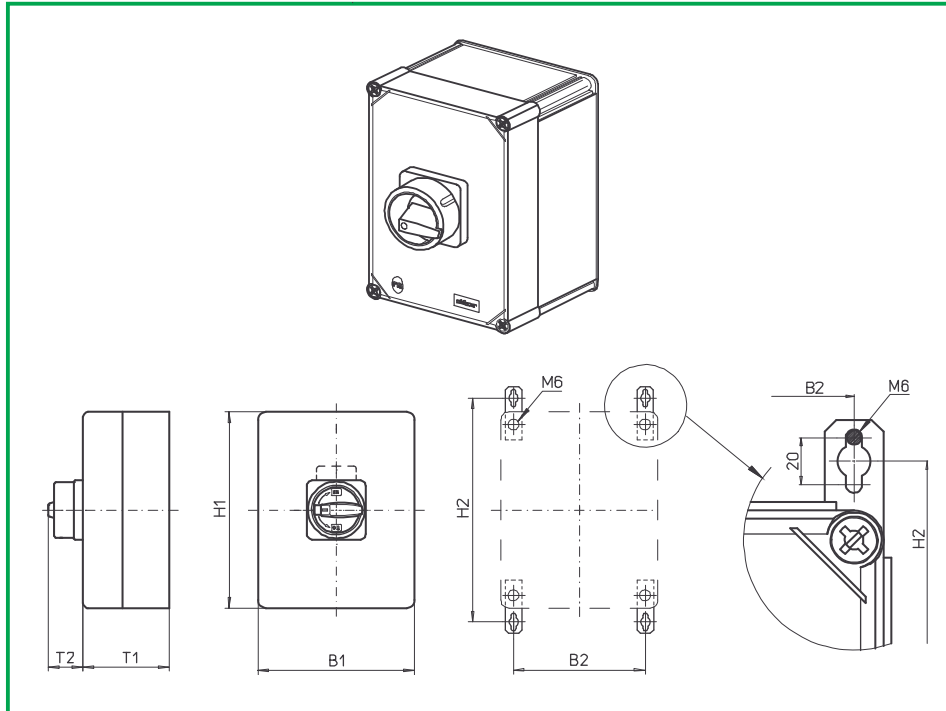
**568M1 (IP66)**

Complete switch	Poles	Product line	Rated data (IEC 60947)			Order code number
			Operational current $I_e$	Operational power at 380–440 V		
			AC-21A A	AC-23A kW	AC-3 kW	
ON-OFF Switches Switching angle 90°	8	H400-D	63	22	18,5	<b>H406 - 41 ... - 568M1</b>
			80	30	22	<b>H408 - 41 ... - 568M1</b>
			100	37	30	<b>H410 - 41 ... - 568M1</b>
			125	45	37	<b>H412 - 41 ... - 568M1</b>
Changeover with OFF Switching angle 90°	2 or 4	H400-E	63	22	18,5	<b>H406 - 71 ... - 566M1</b>
			80	30	22	<b>H408 - 71 ... - 566M1</b>
			100	37	30	<b>H410 - 71 ... - 566M1</b>
			125	45	37	<b>H412 - 71 ... - 566M1</b>

SMD modules for basic switch A02		
Mounting form module (switch module ED)	H400-D	<b>BFB4 - ED</b>
Mounting form module (switch module ED)	H400-E	<b>BFC4 - ED</b>
Enclosure module, mounting form 568M1	H400-D	<b>PAH4 - 568M1</b>
Enclosure module, mounting form 566M1	H400-E	<b>PAH4 - 566M1</b>
Legend plate silver, enclosure module 566M1/ 568M1		<b>FAS6 - 9 ... (FA number)</b>
Mounting brackets are part of delivery capacity		

Dimensions (mm)						
Product lines	H1	B1	T1	T2	H2	B2
H400-D	440	320	180	52	480	293
H400-E	440	320	180	52	480	293

# Enclosed Switches



**Product line**  
**H400-D**

**Enclosed switches**

**Insulated enclosure**

440 x 320 x 180 mm

With cover interlock  
in ON position

with PE-terminal M8

**Cable entries**

Gland plates

**567M1 (IP66)**

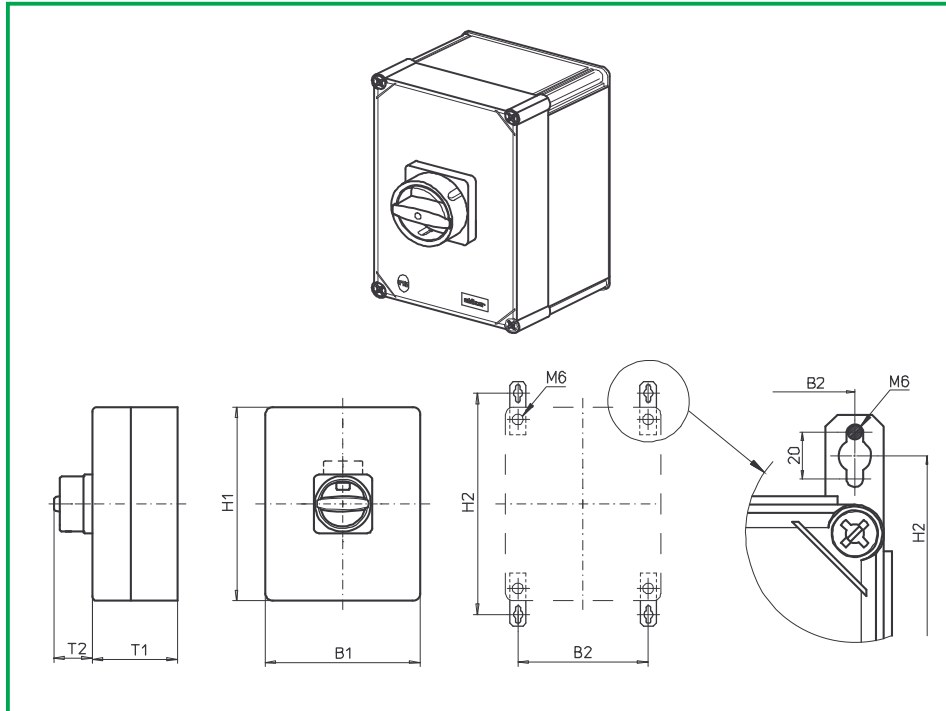
**567M4 (IP66)**

Complete switch	Poles	Product line	Rated data (IEC 60947)			Order code number
			Operational current $I_e$	Operational power at 380–440 V		
			AC-21A A	AC-23A kW	AC-3 kW	
Main Switches OFF position padlockable 09h	8	H400-D	63	22	18,5	<b>H406 - 41 ... - 567M1</b>
			80	30	22	<b>H408 - 41 ... - 567M1</b>
			100	37	30	<b>H410 - 41 ... - 567M1</b>
			125	45	37	<b>H412 - 41 ... - 567M1</b>
Main/Emergency-Off Switches OFF position padlockable 09h	8	H400-D	63	22	18,5	<b>H406 - 41 ... - 567M4</b>
			80	30	22	<b>H408 - 41 ... - 567M4</b>
			100	37	30	<b>H410 - 41 ... - 567M4</b>
			125	45	37	<b>H412 - 41 ... - 567M4</b>

SMD modules for basic switch A02		
Mounting form module (switch module ED)	H400-D	<b>BFB4 - ED</b>
Enclosure module, mounting form 567M1		<b>PAH4 - 567M1</b>
Enclosure module, mounting form 567M4		<b>PAH4 - 567M4</b>
Mounting brackets are part of delivery capacity		

Dimensions (mm)						
Product line	H1	B1	T1	T2	H2	B2
H400-D	440	320	180	50	480	293

# Enclosed Switches



**Product line**  
**H400-D**

**Enclosed switches**

**Insulated enclosure**

440 x 320 x 180 mm

With cover interlock  
in ON position

with PE-terminal M8

**Cable entries**

Gland plates

**567N1 (IP66)**

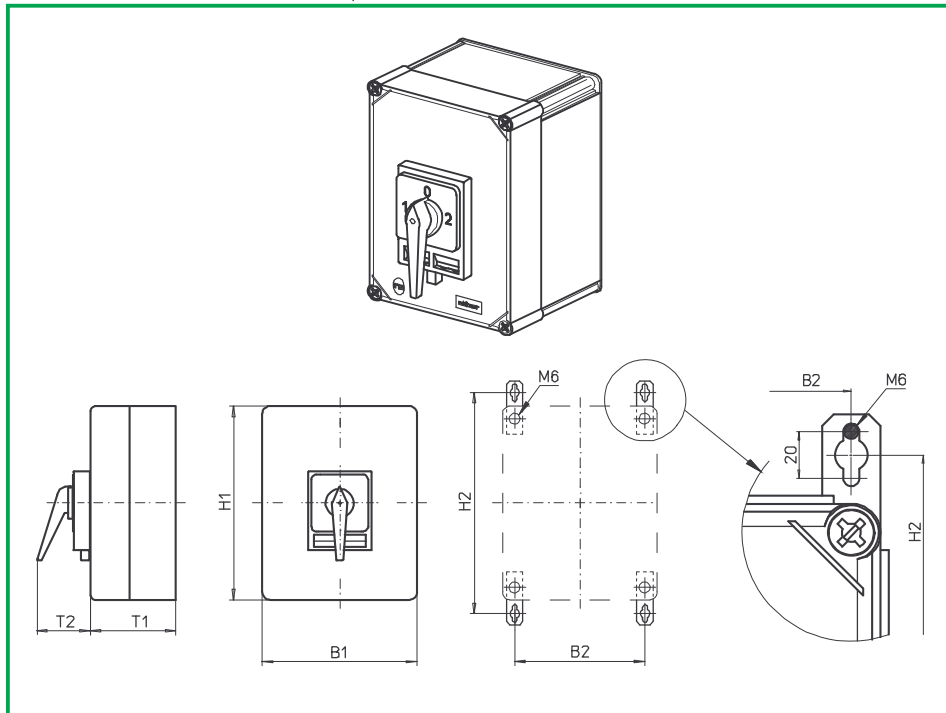
**567N4 (IP66)**

Complete switch	Poles	Product line	Rated data (IEC 60947)			Order code number
			Operational current I <sub>e</sub>	Operational power at 380–440 V		
			AC-21A A	AC-23A kW	AC-3 kW	
Main Switches OFF position padlockable 09h	8	H400-D	63	22	18,5	<b>H406 - 41 ... - 567N1</b>
			80	30	22	<b>H408 - 41 ... - 567N1</b>
			100	37	30	<b>H410 - 41 ... - 567N1</b>
			125	45	37	<b>H412 - 41 ... - 567N1</b>
Main/Emergency-Off Switches OFF position padlockable 09h	8	H400-D	63	22	18,5	<b>H406 - 41 ... - 567N4</b>
			80	30	22	<b>H408 - 41 ... - 567N4</b>
			100	37	30	<b>H410 - 41 ... - 567N4</b>
			125	45	37	<b>H412 - 41 ... - 567N4</b>

SMD modules for basic switch A02		
Mounting form module (switch module ED)	H400-D	<b>BFB4 - ED</b>
Enclosure module, mounting form 567N1		<b>PAH4 - 567N1</b>
Enclosure module, mounting form 567N4		<b>PAH4 - 567N4</b>
Mounting brackets are part of delivery capacity		

Dimensions (mm)						
Product line	H1	B1	T1	T2	H2	B2
H400-D	440	320	180	45	480	293

# Enclosed Switches



**Product line**  
**H400-E**

**Enclosed switches**

**Insulated enclosure**

440 x 320 x 180 mm

With cover interlock  
in ON position

with PE-terminal M8

**Cable entries**

Gland plates

**566H1 (IP66)**

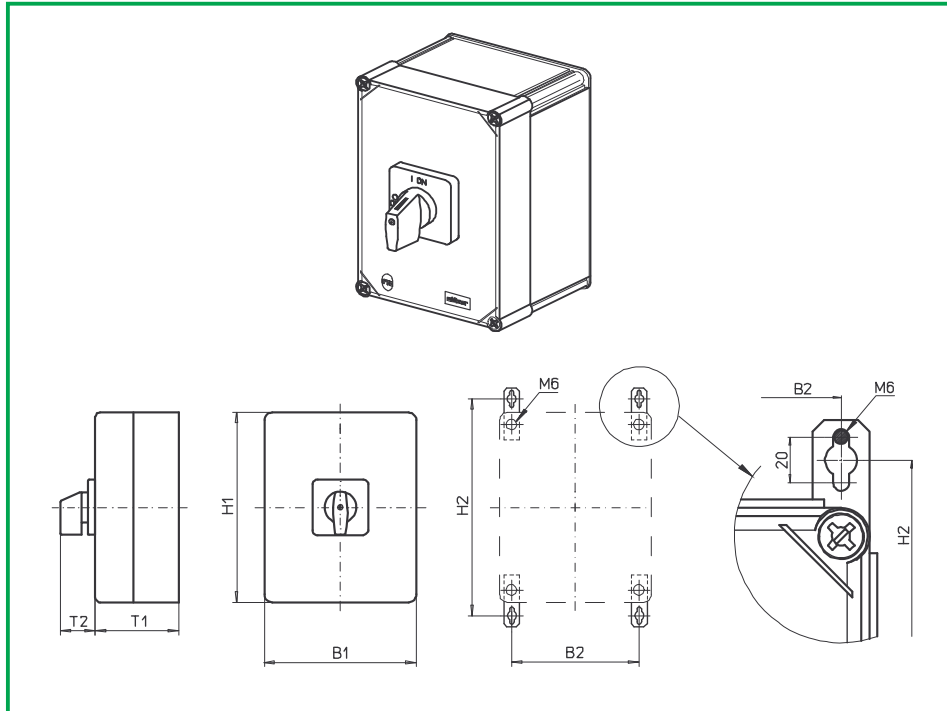
**569H1 (IP66)**

Complete switch	Poles	Product line	Rated data (IEC 60947)			Order code number
			Operational current I <sub>e</sub>	Operational power at 380–440 V		
			AC-21A A	AC-23A kW	AC-3 kW	
Changeover with OFF Switching angle 90° OFF position padlockable 12h	2 or 4	H400-E	63	22	18,5	<b>H406 - 71 ... - 566H1</b>
			80	30	22	<b>H408 - 71 ... - 566H1</b>
			100	37	30	<b>H410 - 71 ... - 566H1</b>
			125	45	37	<b>H412 - 71 ... - 566H1</b>
Changeover with OFF Switching angle 90° 3 positions padlockable (09h/ 12h/ 03h)	2 or 4	H400-E	63	22	18,5	<b>H406 - 71 ... - 569H1</b>
			80	30	22	<b>H408 - 71 ... - 569H1</b>
			100	37	30	<b>H410 - 71 ... - 569H1</b>
			125	45	37	<b>H412 - 71 ... - 679H1</b>

SMD modules for basic switch A02		
Mounting form module for 566H1/569H1	H400-E	<b>BFC4 - ED</b>
Enclosure module, mounting form 566H1		<b>PAH4 - 566H1</b>
Enclosure module, mounting form 569H1		<b>PAH4 - 569H1</b>
Legend plate silver, enclosure module 566H1/569H1		<b>FAS6 - 9 ... (FA number)</b>
Mounting brackets are part of delivery capacity		

Dimensions (mm)						
Product line	H1	B1	T1	T2	H2	B2
H400-E	440	320	180	83	480	293

# Enclosed Switches



**Product lines**  
H400-D/ E

**Enclosed switches**

**Insulated enclosure**  
440 x 320 x 180 mm

With cover interlock  
in ON position

**Cable entries**  
Gland plates

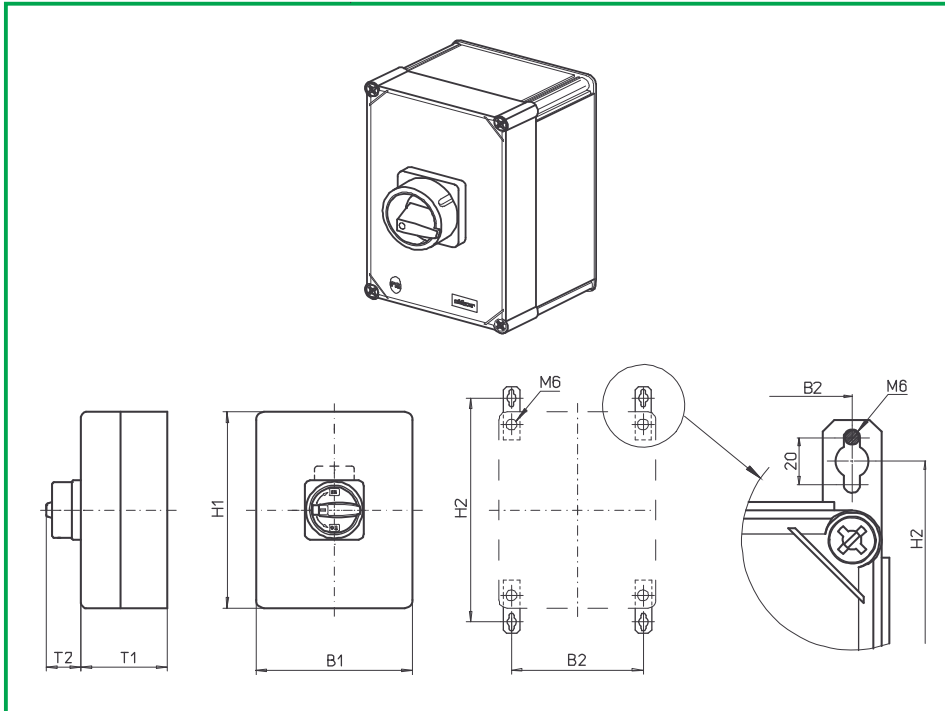
**576M1 (IP66)**  
**578M1 (IP66)**

Complete switch	Poles	Product line	Rated data (IEC 60947)			Order code number
			Operational current I <sub>e</sub>	Operational power at 380–440 V		
			AC-21A A	AC-23A kW	AC-3 kW	
ON-OFF Switches Switching angle 90°	6 ... 8	H400-D	63	22	18,5	H406 - 41 ... - 578M1
			80	30	22	H408 - 41 ... - 578M1
			100	37	30	H410 - 41 ... - 578M1
			125	45	37	H412 - 41 ... - 578M1
Changeover with OFF Switching angle 90°	3 ... 4	H400-E	63	22	18,5	H406 - 71 ... - 576M1
			80	30	22	H408 - 71 ... - 576M1
			100	37	30	H410 - 71 ... - 576M1
			125	45	37	H412 - 71 ... - 576M1

SMD modules for basic switch A02		
Mounting form module (switch module ED)	H400-D	BFB4 - ED
Mounting form module (switch module ED)	H400-E	BFC4 - ED
Enclosure module, mounting form 578M1	H400-D	PAH4 - 578M1
Enclosure module, mounting form 576M1	H400-E	PAH4 - 576M1
Legend plate silver, enclosure module 576M1/ 578M1		FAS6 - 9 ... (FA number)
Mounting brackets are part of delivery capacity		

Dimensions (mm)						
Product lines	H1	B1	T1	T2	H2	B2
H400-D	440	320	180	52	480	293
H400-E	440	320	180	52	480	293

# Enclosed Switches



**Product line**  
**H400-D**

**Enclosed switches**

**Insulated enclosure**  
440 x 320 x 180 mm

With cover interlock  
in ON position

**Cable entries**  
Gland plates

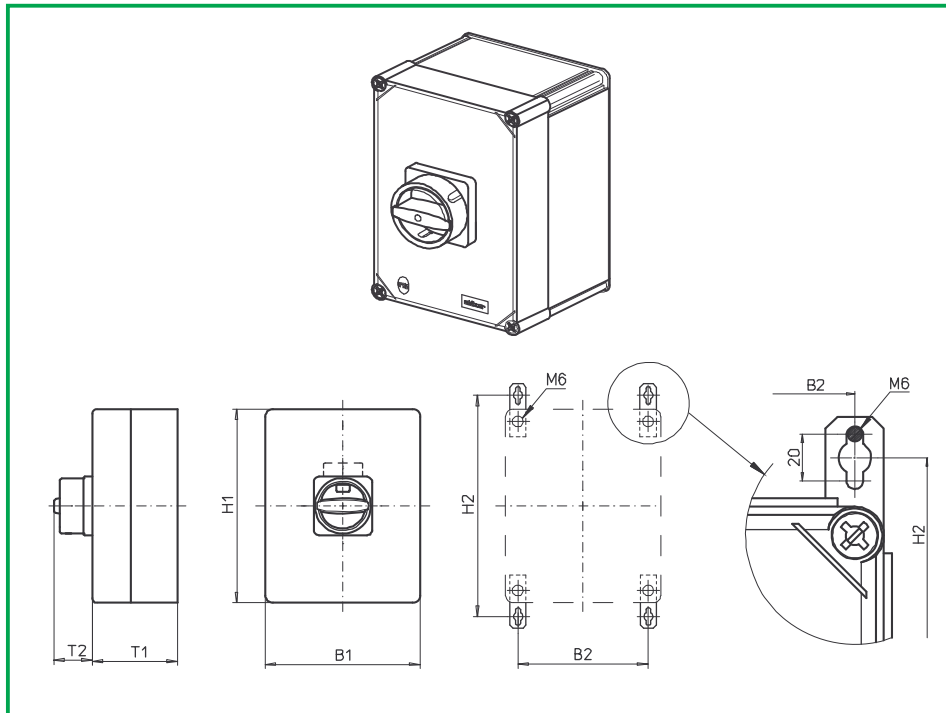
**577M1 (IP66)**  
**577M4 (IP66)**

Complete switch	Poles	Product line	Rated data (IEC 60947)			Order code number
			Operational current $I_e$	Operational power at 380–440 V		
			AC-21A A	AC-23A kW	AC-3 kW	
Main Switches OFF position padlockable 09h	6 ... 8	H400-D	63	22	18,5	<b>H406 - 41 ... - 577M1</b>
			80	30	22	<b>H408 - 41 ... - 577M1</b>
			100	37	30	<b>H410 - 41 ... - 577M1</b>
			125	45	37	<b>H412 - 41 ... - 577M1</b>
Main/Emergency-Off Switches OFF position padlockable 09h	6 ... 8	H400-D	63	22	18,5	<b>H406 - 41 ... - 577M4</b>
			80	30	22	<b>H408 - 41 ... - 577M4</b>
			100	37	30	<b>H410 - 41 ... - 577M4</b>
			125	45	37	<b>H412 - 41 ... - 577M4</b>

SMD modules for basic switch A02		
Mounting form module (switch module ED)	H400-D	<b>BFB4 - ED</b>
Enclosure module, mounting form 577M1		<b>PAH4 - 577M1</b>
Enclosure module, mounting form 577M4		<b>PAH4 - 577M4</b>
Mounting brackets are part of delivery capacity		

Dimensions (mm)						
Product line	H1	B1	T1	T2	H2	B2
H400-D	440	320	180	50	480	293

# Enclosed Switches



**Product line**  
**H400-D**

**Enclosed switches**

**Insulated enclosure**  
440 x 320 x 180 mm

With cover interlock  
in ON position

**Cable entries**  
Gland plates

**577N1 (IP66)**  
**577N4 (IP66)**

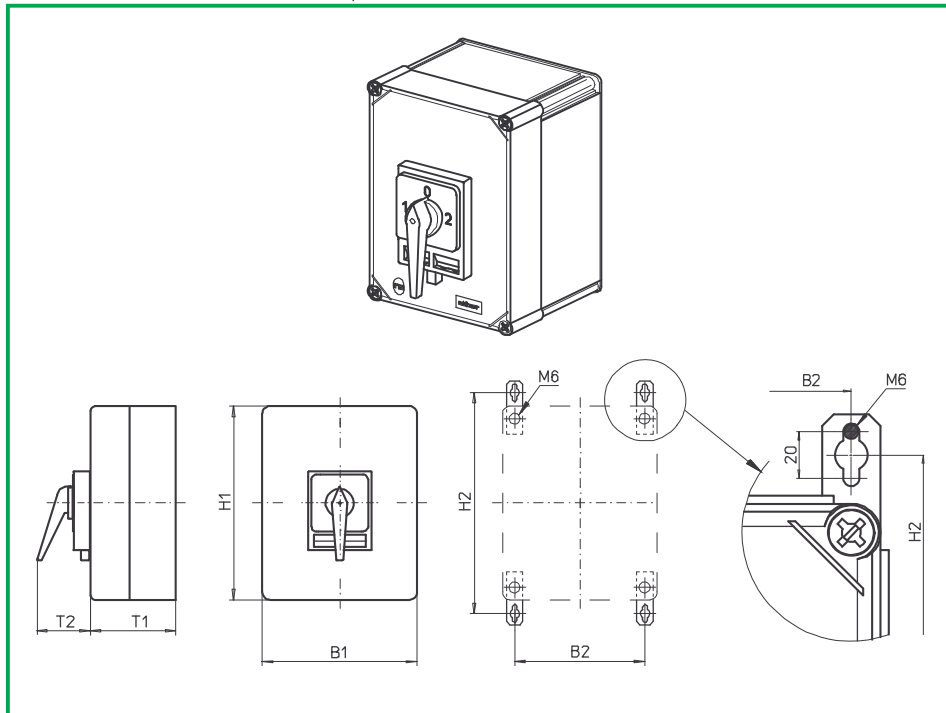
Complete switch	Poles	Product line	Rated data (IEC 60947)			Order code number
			Operational current I <sub>e</sub>	Operational power at 380–440 V		
			AC-21A A	AC-23A kW	AC-3 kW	
Main Switches OFF position padlockable 09h	6 ... 8	H400-D	63	22	18,5	<b>H406 - 41 ... - 577N1</b>
			80	30	22	<b>H408 - 41 ... - 577N1</b>
			100	37	30	<b>H410 - 41 ... - 577N1</b>
			125	45	37	<b>H412 - 41 ... - 577N1</b>
Main/Emergency-Off Switches OFF position padlockable 09h	6 ... 8	H400-D	63	22	18,5	<b>H406 - 41 ... - 577N4</b>
			80	30	22	<b>H408 - 41 ... - 577N4</b>
			100	37	30	<b>H410 - 41 ... - 577N4</b>
			125	45	37	<b>H412 - 41 ... - 577N4</b>

SMD modules for basic switch A02		
Mounting form module (switch module ED)	H400-D	<b>BFB4 - ED</b>
Enclosure module, mounting form 577N1		<b>PAH4 - 577N1</b>
Enclosure module, mounting form 577N4		<b>PAH4 - 577N4</b>
Mounting brackets are part of delivery capacity		

Dimensions (mm)						
Product line	H1	B1	T1	T2	H2	B2
H400-D	440	320	180	45	480	293



# Enclosed Switches



**Product line**  
**H400-E**

**Enclosed switches**

**Insulated enclosure**  
440 x 320 x 180 mm

With cover interlock  
in ON position

**Cable entries**  
Gland plates

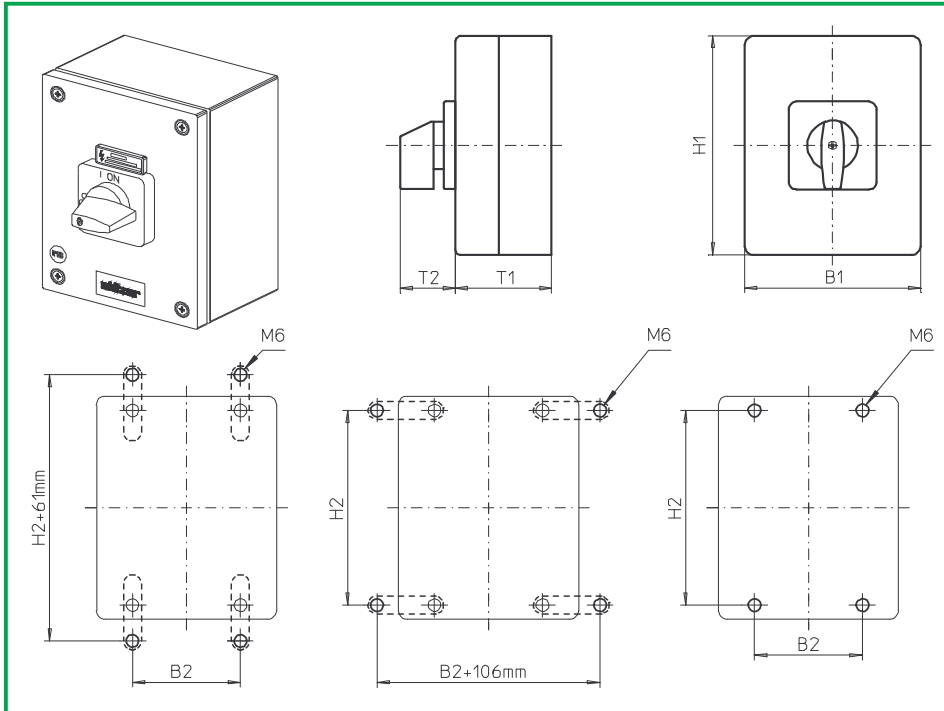
**576H1 (IP66)**  
**579H1 (IP66)**

Complete switch	Poles	Product line	Rated data (IEC 60947)			Order code number
			Operational current I <sub>e</sub>	Operational power at 380–440 V		
			AC-21A A	AC-23A kW	AC-3 kW	
Changeover with OFF Switching angle 90° OFF position padlockable 12h	3 ... 4	H400-E	63	22	18,5	<b>H406 - 71 ... - 576H1</b>
			80	30	22	<b>H408 - 71 ... - 576H1</b>
			100	37	30	<b>H410 - 71 ... - 576H1</b>
			125	45	37	<b>H412 - 71 ... - 576H1</b>
Changeover with OFF Switching angle 90° 3 positions padlockable (09h/ 12h/ 03h)	3 ... 4	H400-E	63	22	18,5	<b>H406 - 71 ... - 579H1</b>
			80	30	22	<b>H408 - 71 ... - 579H1</b>
			100	37	30	<b>H410 - 71 ... - 579H1</b>
			125	45	37	<b>H412 - 71 ... - 579H1</b>

SMD modules for basic switch A02		
Mounting form module for 576H1/579H1	H400-E	<b>BFC4 - ED</b>
Enclosure module, mounting form 576H1		<b>PAH4 - 576H1</b>
Enclosure module, mounting form 579H1		<b>PAH4 - 579H1</b>
Legend plate silver, enclosure module 576H1/579H1		<b>FAS6 - 9 ... (FA number)</b>
Mounting brackets are part of delivery capacity		

Dimensions (mm)						
Product line	H1	B1	T1	T2	H2	B2
H400-E	440	320	180	83	480	293

# Enclosed Switches



**Product line**  
**H400-A**

**Enclosed switches**

**Mild steel enclosure**  
200 x 150 x 120 mm

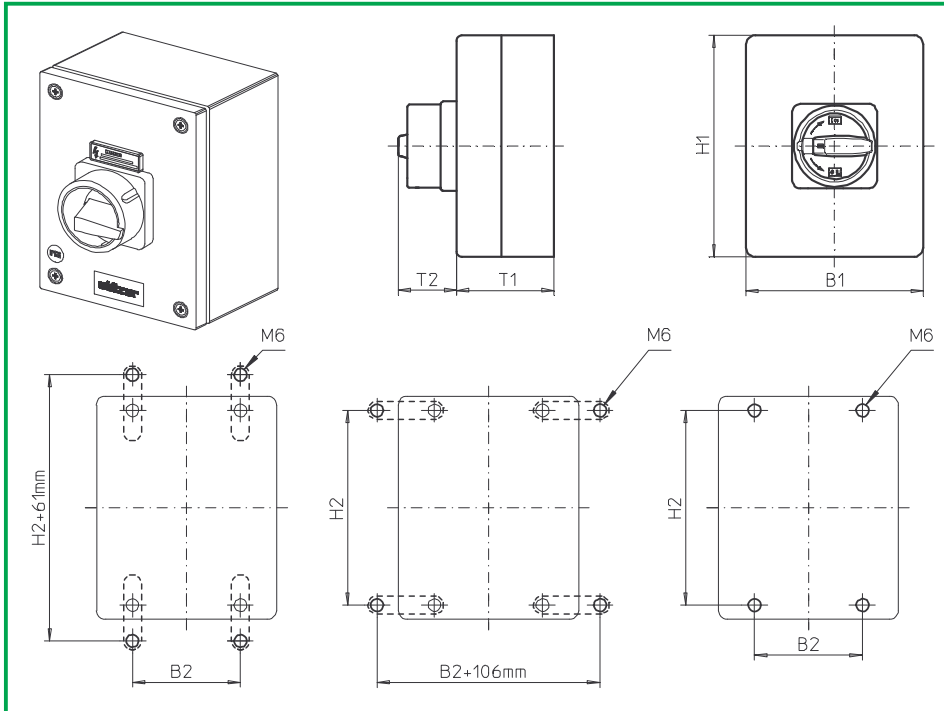
With cover interlock  
in ON position

**Cable entries**  
without

**986M1 (IP66)**

Complete switch	Poles	Product line	Rated data (IEC 60947)			Order code number
			Operational current $I_e$	Operational power at 380–440 V		
			AC-21A A	AC-23A kW	AC-3 kW	
ON-OFF Switches Switching angle 90°	3 ... 4	H400-A	63 80	22 30	18,5 22	<b>H406 - 41 ... - 986M1</b> <b>H408 - 41 ... - 986M1</b>
<b>Mounting brackets</b> for enclosure modules SA (1 set) (Please order separately – accessories see page D5-1)						<b>SAX1</b>
<b>SMD modules for basic switch A02</b>						
Enclosure module, mounting form 986M1			H400-A		<b>SAH4 - 986M1</b>	
Legend plate silver, enclosure module 986M1					<b>FAS6 - 9078</b>	
<b>Mounting brackets</b> for enclosure modules SA (1 set) (Please order separately – accessories see page D5-1)						<b>SAX1</b>
<b>Dimensions (mm)</b>						
Product line	H1	B1	T1	T2	H2	B2
H400-A	200	150	120	52	182	85

# Enclosed Switches



**Product line**  
**H400-A**

**Enclosed switches**

**Mild steel enclosure**  
200 x 150 x 120 mm

With cover interlock  
in ON position

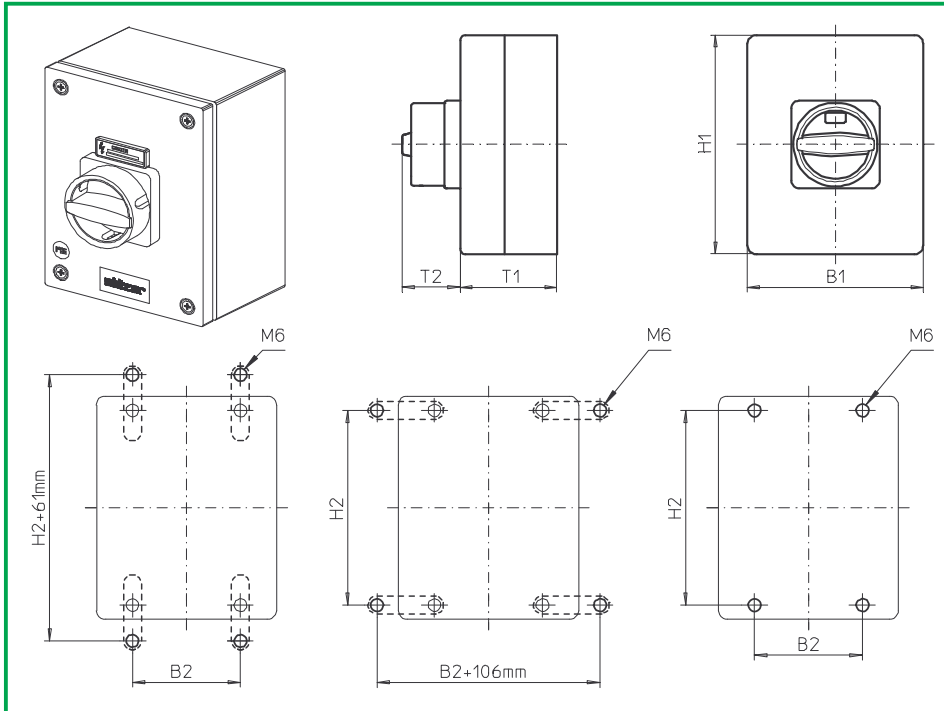
**Cable entries**  
without

**987M1 (IP66)**

**987M4 (IP66)**

Complete switch	Poles	Product line	Rated data (IEC 60947)			Order code number
			Operational current I <sub>e</sub>	Operational power at 380–440 V		
			AC-21A A	AC-23A kW	AC-3 kW	
Main Switches	3 ... 4	H400-A	63	22	18,5	<b>H406 - 41 ... - 987M1</b>
OFF position padlockable 09h			80	30	22	<b>H408 - 41 ... - 987M1</b>
Main/Emergency-Off Switches	3 ... 4	H400-A	63	22	18,5	<b>H406 - 41 ... - 987M4</b>
OFF position padlockable 09h			80	30	22	<b>H408 - 41 ... - 987M4</b>
<b>SMD modules for basic switch A02</b>						
Enclosure module, mounting form 987M1			H400-A			<b>SAH4 - 987M1</b>
Enclosure module, mounting form 987M4						<b>SAH4 - 987M4</b>
<b>Mounting brackets</b> for enclosure modules SA (1 set) (Please order separately – accessories see page D5-1)						<b>SAX1</b>
<b>Dimensions (mm)</b>						
Product line	H1	B1	T1	T2	H2	B2
H400-A	200	150	120	50	182	85

# Enclosed Switches



**Product line**  
**H400-A**

**Enclosed switches**

**Mild steel enclosure**  
200 x 150 x 120 mm

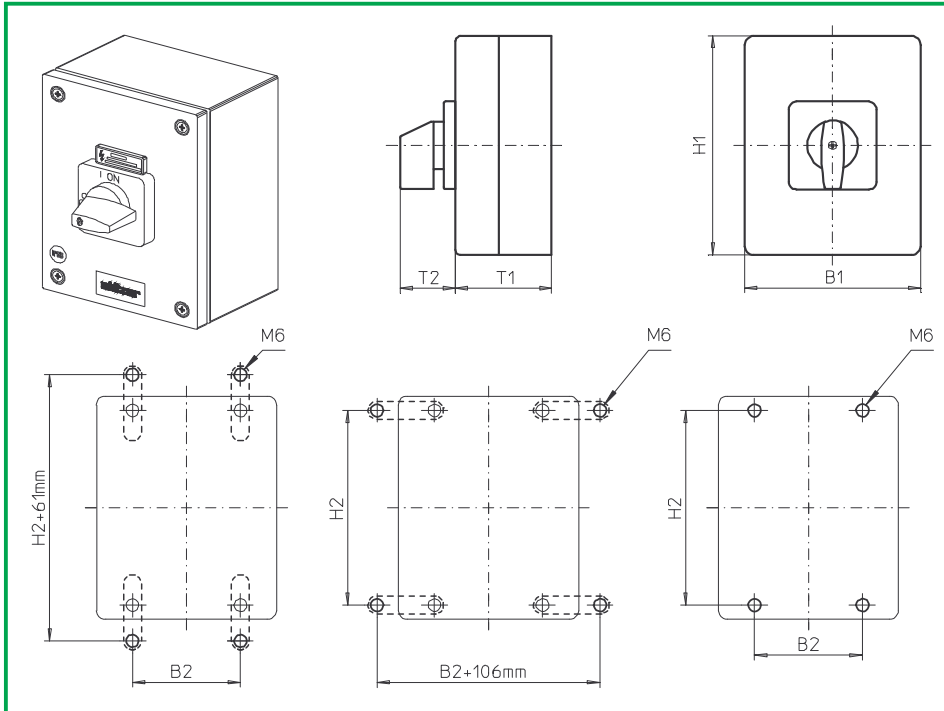
With cover interlock  
in ON position

**Cable entries**  
without

**987N1 (IP66)**  
**987N4 (IP66)**

Complete switch	Poles	Product line	Rated data (IEC 60947)			Order code number
			Operational current I <sub>e</sub>	Operational power at 380–440 V		
			AC-21A A	AC-23A kW	AC-3 kW	
Main Switches	3 ... 4	H400-A	63	22	18,5	<b>H406 - 41 ... - 987N1</b>
OFF position padlockable 09h			80	30	22	<b>H408 - 41 ... - 987N1</b>
Main/Emergency-Off Switches	3 ... 4	H400-A	63	22	18,5	<b>H406 - 41 ... - 987N4</b>
OFF position padlockable 09h			80	30	22	<b>H408 - 41 ... - 987N4</b>
<b>SMD modules for basic switch A02</b>						
Enclosure module, mounting form 987N1			H400-A			<b>SAH4 - 987N1</b>
Enclosure module, mounting form 987N4						<b>SAH4 - 987N4</b>
<b>Mounting brackets</b> for enclosure modules SA (1 set) (Please order separately – accessories see page D5-1)						<b>SAX1</b>
<b>Dimensions (mm)</b>						
<b>Product line</b>	<b>H1</b>	<b>B1</b>	<b>T1</b>	<b>T2</b>	<b>H2</b>	<b>B2</b>
H400-A	200	150	120	45	182	85

# Enclosed Switches



**Product lines**  
H400-A/ -D/ -E

**Enclosed switches**

**Mild steel enclosure**  
300 x 250 x 150 mm

With cover interlock  
in ON position

**Cable entries**  
without

**186M1 (IP66)**

Complete switch	Poles	Product line	Rated data (IEC 60947)			Order code number
			Operational current I <sub>e</sub>	Operational power at 380–440 V		
			AC-21A A	AC-23A kW	AC-3 kW	
ON-OFF Switches Switching angle 90°	3 ... 8	H400-A/ -D	63	22	18,5	<b>H406 - 41 ... - 186M1</b>
			80	30	22	<b>H408 - 41 ... - 186M1</b>
			100	37	30	<b>H410 - 41 ... - 186M1</b>
			125	45	37	<b>H412 - 41 ... - 186M1</b>
Changeover with OFF Switching angle 90°	3 ... 4	H400-E	63	22	18,5	<b>H406 - 71 ... - 186M1</b>
			80	30	22	<b>H408 - 71 ... - 186M1</b>
			100	37	30	<b>H410 - 71 ... - 186M1</b>
			125	45	37	<b>H412 - 71 ... - 186M1</b>

**SMD modules for basic switch A02**

Mounting form module (switch module ED)  
Mounting form module (switch module ED)  
Mounting form module (switch module ED)

H400-A  
H400-D  
H400-E

**BFA4 - ED**  
**BFB4 - ED**  
**BFC4 - ED**

Enclosure module, mounting form 186M1

H400-A/ -D/ -E

**SAH4 - 186M1**

Legend plate silver, enclosure module 186M1

**FAS6 - 9 ... (FA number)**

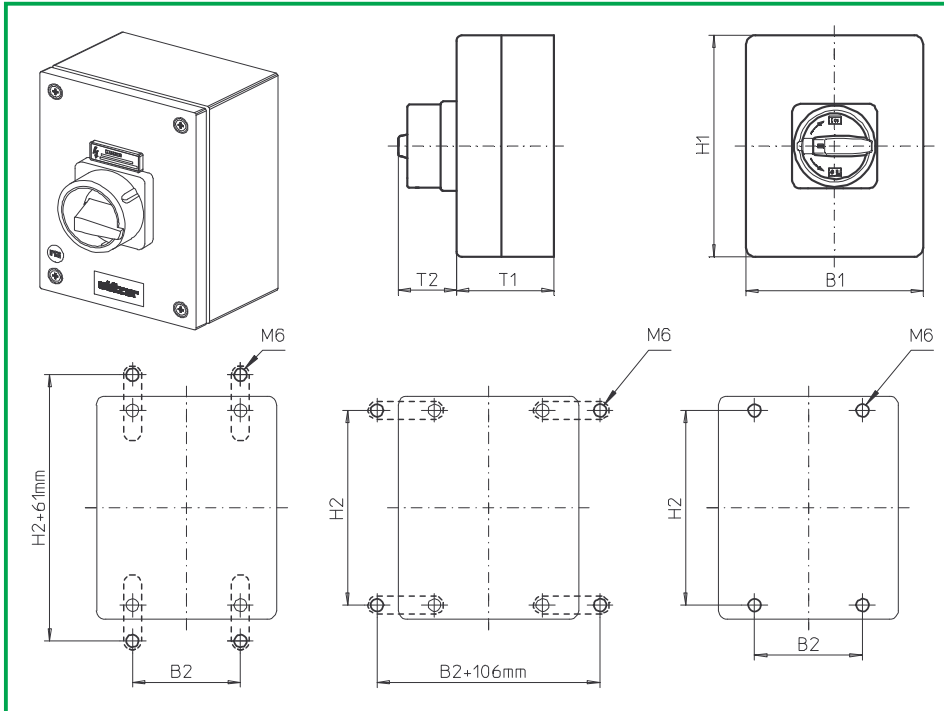
**Mounting brackets** for enclosure modules SA (1 set)  
(Please order separately – accessories see page D5-1)

**SAX1**

**Dimensions (mm)**

Product lines	H1	B1	T1	T2	H2	B2
H400-A	300	250	150	52	282	185
H400-D	300	250	150	52	282	185
H400-E	300	250	150	52	282	185

# Enclosed Switches



**Product lines**  
H400-A/ -D

**Enclosed switches**

**Mild steel enclosure**  
300 x 250 x 150 mm

With cover interlock  
in ON position

**Cable entries**  
without

**187M1 (IP66)**

**187M4 (IP66)**

Complete switch	Poles	Product line	Rated data (IEC 60947)			Order code number
			Operational current I <sub>e</sub>	Operational power at 380–440 V		
			AC-21A A	AC-23A kW	AC-3 kW	
Main Switches OFF position padlockable 09h	3 ... 8	H400-A/ -D	63	22	18,5	H406 - 41 ... - 187M1
			80	30	22	H408 - 41 ... - 187M1
			100	37	30	H410 - 41 ... - 187M1
			125	45	37	H412 - 41 ... - 187M1
Main/Emergency-Off Switches OFF position padlockable 09h	3 ... 8	H400-A/ -D	63	22	18,5	H406 - 41 ... - 187M4
			80	30	22	H408 - 41 ... - 187M4
			100	37	30	H410 - 41 ... - 187M4
			125	45	37	H412 - 41 ... - 187M4

### SMD modules for basic switch A02

Mounting form module (switch module ED)  
Mounting form module (switch module ED)

H400-A  
H400-D

BFA4 - ED  
BFB4 - ED

Enclosure module, mounting form 187M1  
Enclosure module, mounting form 187M4

H400-A/ -D

SAH4 - 187M1  
SAH4 - 187M4

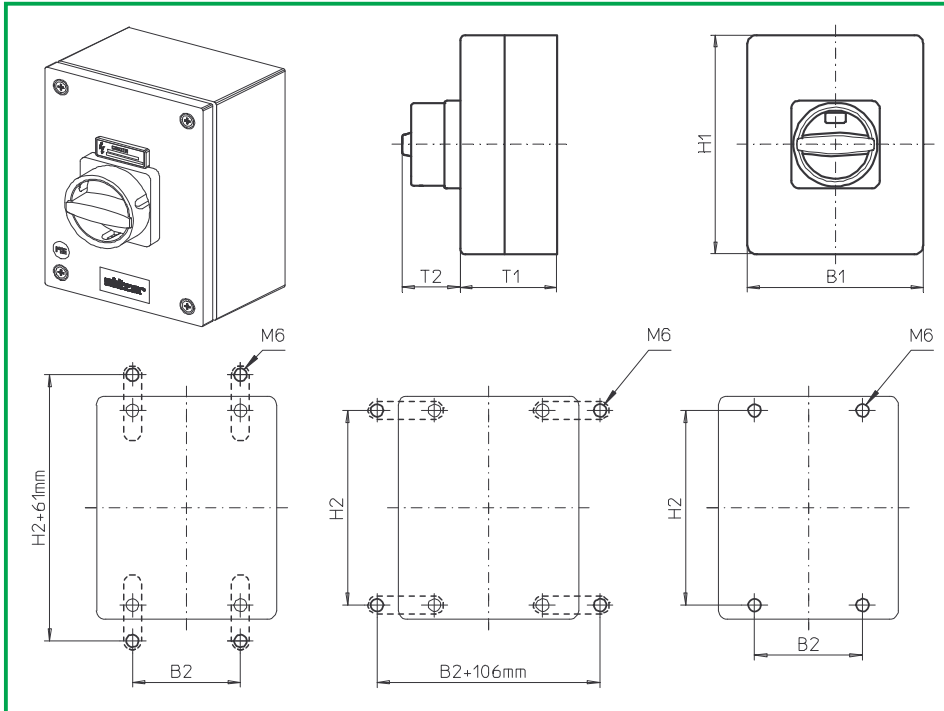
**Mounting brackets** for enclosure modules SA (1 set)  
(Please order separately – accessories see page D5-1)

SAX1

### Dimensions (mm)

Product lines	H1	B1	T1	T2	H2	B2
H400-A	300	250	150	50	282	185
H400-D	300	250	150	50	282	185

# Enclosed Switches



**Product lines**  
H400-A/ -D

**Enclosed switches**

**Mild steel enclosure**  
300 x 250 x 150 mm

With cover interlock  
in ON position

**Cable entries**  
without

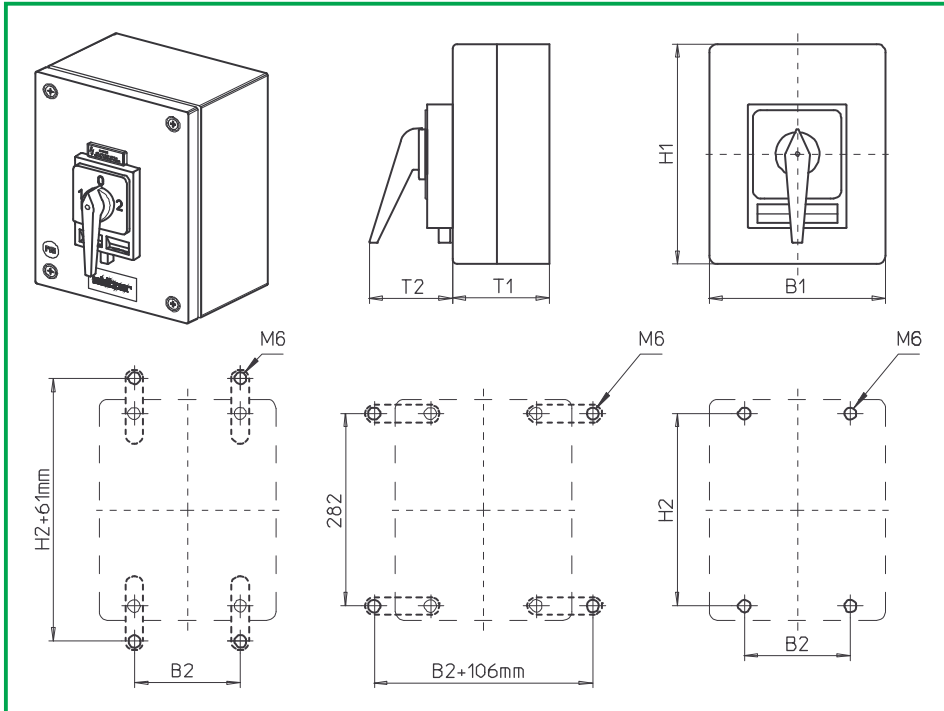
**187N1 (IP66)**  
**187N4 (IP66)**

Complete switch	Poles	Product line	Rated data (IEC 60947)			Order code number
			Operational current I <sub>e</sub>	Operational power at 380–440 V		
			AC-21A A	AC-23A kW	AC-3 kW	
Main Switches OFF position padlockable 09h	3 ... 8	H400-A/ -D	63	22	18,5	H406 - 41 ... - 187N1
			80	30	22	H408 - 41 ... - 187N1
			100	37	30	H410 - 41 ... - 187N1
			125	45	37	H412 - 41 ... - 187N1
Main/Emergency-Off Switches OFF position padlockable 09h	3 ... 8	H400-A/ -D	63	22	18,5	H406 - 41 ... - 187N4
			80	30	22	H408 - 41 ... - 187N4
			100	37	30	H410 - 41 ... - 187N4
			125	45	37	H412 - 41 ... - 187N4

SMD modules for basic switch A02		
Mounting form module (switch module ED)	H400-A	BFA4 - ED
Mounting form module (switch module ED)	H400-D	BFB4 - ED
Enclosure module, mounting form 187N1	H400-A/ -D	SAH4 - 187N1
Enclosure module, mounting form 187N4		SAH4 - 187N4
<b>Mounting brackets</b> for enclosure modules SA (1 set) (Please order separately – accessories see page D5-1)		SAX1

Dimensions (mm)						
Product lines	H1	B1	T1	T2	H2	B2
H400-A	300	250	150	45	282	185
H400-D	300	250	150	45	282	185

# Enclosed Switches



**Product line**  
**H400-E**

**Enclosed switches**

**Mild steel enclosure**  
300 x 250 x 150 mm

With cover interlock  
in ON position

**Cable entries**  
without

**186H1 (IP66)**  
**189H1 (IP66)**

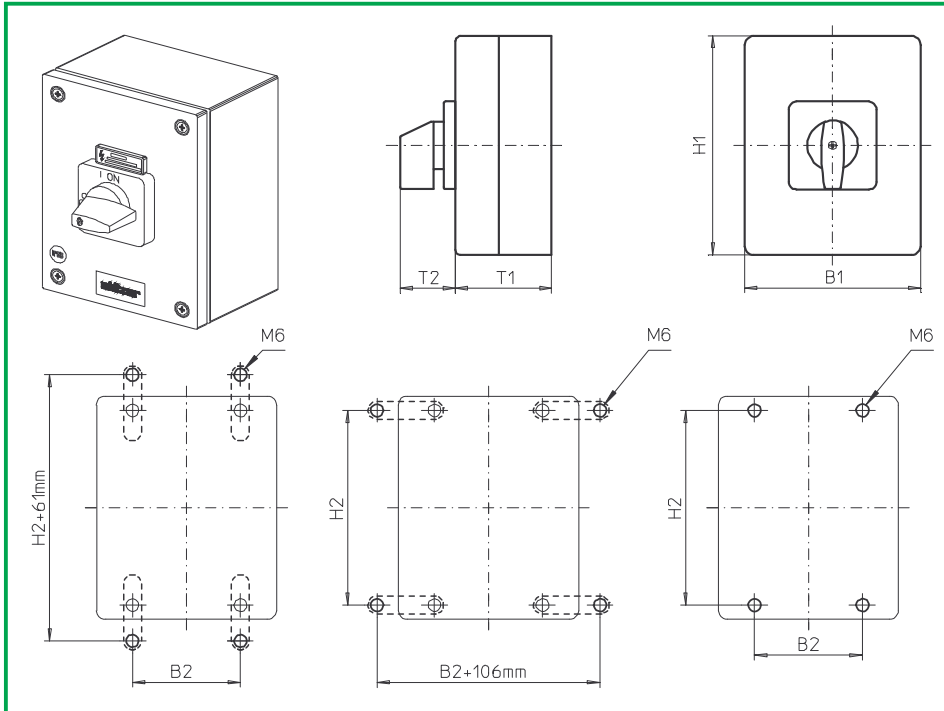
Complete switch	Poles	Product line	Rated data (IEC 60947)			Order code number
			Operational current $I_e$	Operational power at 380–440 V		
			AC-21A A	AC-23A kW	AC-3 kW	
Changeover with OFF Switching angle 90° OFF position padlockable 12h	3 ... 4	H400-E	63	22	18,5	<b>H406 - 71 ... - 186H1</b>
			80	30	22	<b>H408 - 71 ... - 186H1</b>
			100	37	30	<b>H410 - 71 ... - 186H1</b>
			125	45	37	<b>H412 - 71 ... - 186H1</b>
Changeover with OFF Switching angle 90° 3 positions padlockable (09h/ 12h/ 03h)	3 ... 4	H400-E	63	22	18,5	<b>H406 - 71 ... - 189H1</b>
			80	30	22	<b>H408 - 71 ... - 189H1</b>
			100	37	30	<b>H410 - 71 ... - 189H1</b>
			125	45	37	<b>H412 - 71 ... - 189H1</b>

SMD modules for basic switch A02		
Enclosure module, mounting form 186H1/189H1	H400-E	<b>BFC4 - ED</b>
Enclosure module, mounting form 186H1		<b>SAH4 - 186H1</b>
Enclosure module, mounting form 189H1		<b>SAH4 - 189H1</b>
Legend plate silver, enclosure module 186H1/189H1		<b>FAS6 - 9006</b>
<b>Mounting brackets</b> for enclosure modules SA (1 set) (Please order separately – accessories see page D5-1)		<b>SAX1</b>

Dimensions (mm)						
Product line	H1	B1	T1	T2	H2	B2
H400-E	300	250	150	83	282	185



# Enclosed Switches



**Product lines**  
H400-A/ -D/ -E

**Enclosed switches**

**Mild steel enclosure**  
300 x 250 x 150 mm

With cover interlock  
in ON position  
without N modules in the enclosure

**Cable entries**  
without

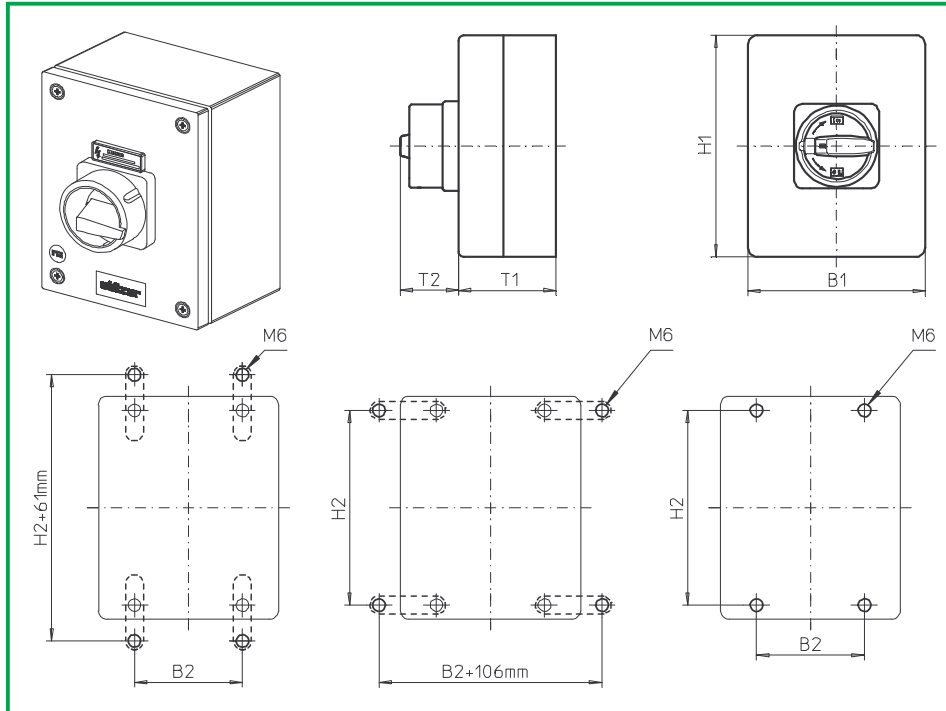
**686M1 (IP66)**

Complete switch	Poles	Product line	Rated data (IEC 60947)			Order code number
			Operational current I <sub>e</sub>	Operational power at 380–440 V		
			AC-21A A	AC-23A kW	AC-3 kW	
ON-OFF Switches Switching angle 90°	4 or 8	H400-A/ -D	63	22	18,5	<b>H406 - 41 ... - 686M1</b>
			80	30	22	<b>H408 - 41 ... - 686M1</b>
			100	37	30	<b>H410 - 41 ... - 686M1</b>
			125	45	37	<b>H412 - 41 ... - 686M1</b>
Changeover with OFF Switching angle 90°	2 or 4	H400-E	63	22	18,5	<b>H406 - 71 ... - 686M1</b>
			80	30	22	<b>H408 - 71 ... - 686M1</b>
			100	37	30	<b>H410 - 71 ... - 686M1</b>
			125	45	37	<b>H412 - 71 ... - 686M1</b>

SMD modules for basic switch A02		
Mounting form module (switch module ED)	H400-A	<b>BFA4 - ED</b>
Mounting form module (switch module ED)	H400-D	<b>BFB4 - ED</b>
Mounting form module (switch module ED)	H400-E	<b>BFC4 - ED</b>
Enclosure module, mounting form 686M1	H400-A/ -D/ -E	<b>SAH4 - 686M1</b>
Legend plate silver, enclosure module 686M1		<b>FAS6 - 9 ... (FA number)</b>
<b>Mounting brackets</b> for enclosure modules SA (1 set) (Please order separately – accessories see page D5-1)		<b>SAX1</b>

Dimensions (mm)							
Product lines	H1	B1	T1	T2	H2	B2	
H400-A	300	250	150	52	282	185	
H400-D	300	250	150	52	282	185	
H400-E	300	250	150	52	282	185	

# Enclosed Switches



**Product lines**  
H400-A/ -D

**Enclosed switches**

**Mild steel enclosure**  
300 x 250 x 150 mm

With cover interlock  
in ON position  
without N modules in the enclosure

**Cable entries**  
without

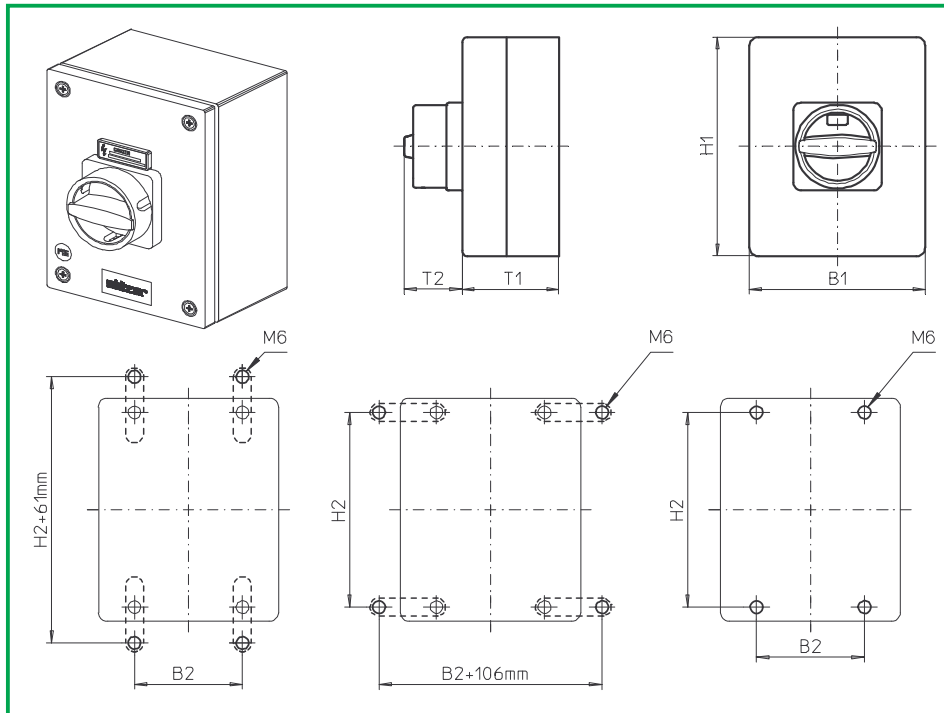
**687M1 (IP66)**  
**687M4 (IP66)**

Complete switch	Poles	Product line	Rated data (IEC 60947)			Order code number
			Operational current I <sub>e</sub>	Operational power at 380–440 V		
			AC-21A A	AC-23A kW	AC-3 kW	
Main Switches OFF position padlockable 09h	4 or 8	H400-A/ -D	63	22	18,5	H406 - 41 ... - 687M1
			80	30	22	H408 - 41 ... - 687M1
			100	37	30	H410 - 41 ... - 687M1
			125	45	37	H412 - 41 ... - 687M1
Main/Emergency-Off Switches OFF position padlockable 09h	4 or 8	H400-A/ -D	63	22	18,5	H406 - 41 ... - 687M4
			80	30	22	H408 - 41 ... - 687M4
			100	37	30	H410 - 41 ... - 687M4
			125	45	37	H412 - 41 ... - 687M4

SMD modules for basic switch A02		
Mounting form module (switch module ED)	H400-A	BFA4 - ED
Mounting form module (switch module ED)	H400-D	BFB4 - ED
Enclosure module, mounting form 687M1	H400-A/ -D	SAH4 - 687M1
Enclosure module, mounting form 687M4		SAH4 - 687M4
<b>Mounting brackets</b> for enclosure modules SA (1 set) (Please order separately – accessories see page D5-1)		SAX1

Dimensions (mm)						
Product lines	H1	B1	T1	T2	H2	B2
H400-A	300	250	150	50	282	185
H400-D	300	250	150	50	282	185

# Enclosed Switches



**Product lines**  
H400-A/ -D

**Enclosed switches**

**Mild steel enclosure**  
300 x 250 x 150 mm

With cover interlock  
in ON position  
without N modules in the enclosure

**Cable entries**  
without

**687N1 (IP66)**  
**687N4 (IP66)**

Complete switch	Poles	Product line	Rated data (IEC 60947)			Order code number
			Operational current I <sub>e</sub>	Operational power at 380–440 V		
			AC-21A A	AC-23A kW	AC-3 kW	
Main Switches OFF position padlockable 09h	4 or 8	H400-A/ -D	63	22	18,5	H406 - 41 ... - 687N1
			80	30	22	H408 - 41 ... - 687N1
			100	37	30	H410 - 41 ... - 687N1
			125	45	37	H412 - 41 ... - 687N1
Main/Emergency-Off Switches OFF position padlockable 09h	4 or 8	H400-A/ -D	63	22	18,5	H406 - 41 ... - 687N4
			80	30	22	H408 - 41 ... - 687N4
			100	37	30	H410 - 41 ... - 687N4
			125	45	37	H412 - 41 ... - 687N4

**SMD modules for basic switch A02**

Mounting form module (switch module ED)  
Mounting form module (switch module ED)

H400-A  
H400-D

BFA4 - ED  
BFB4 - ED

Enclosure module, mounting form 687N1  
Enclosure module, mounting form 687N4

H400-A/ -D

SAH4 - 687N1  
SAH4 - 687N4

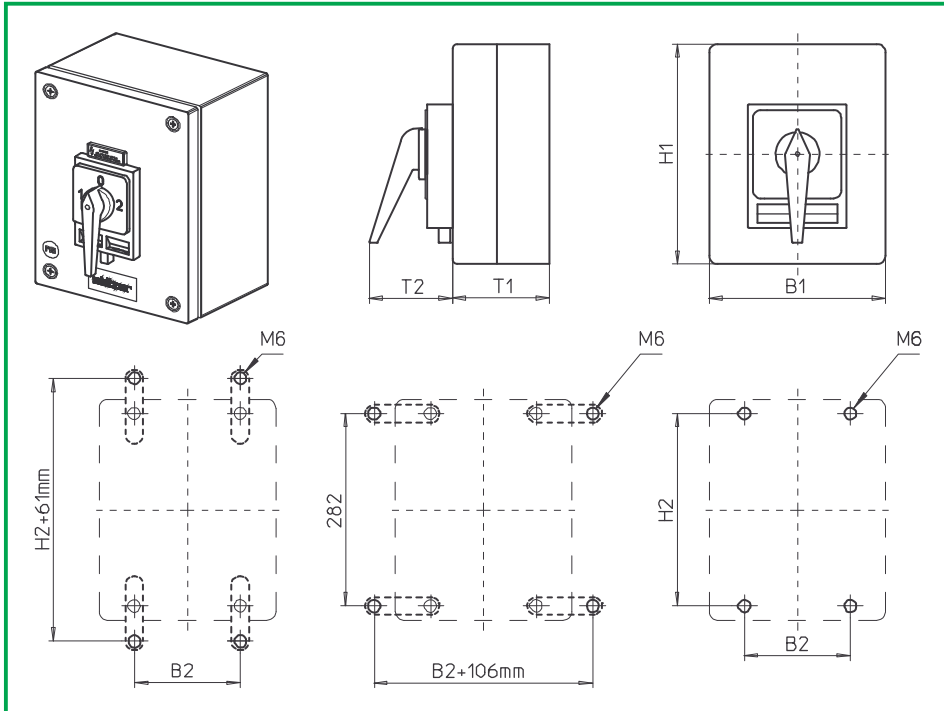
**Mounting brackets** for enclosure modules SA (1 set)  
(Please order separately – accessories see page D5-1)

SAX1

**Dimensions (mm)**

Product lines	H1	B1	T1	T2	H2	B2
H400-A	300	250	150	45	282	185
H400-D	300	250	150	45	282	185

# Enclosed Switches



**Product line**  
**H400-E**

**Enclosed switches**

**Mild steel enclosure**  
300 x 250 x 150 mm

With cover interlock  
in ON position  
without N modules in the enclosure

**Cable entries**  
without

**686H1 (IP66)**  
**689H1 (IP66)**

Complete switch	Poles	Product line	Rated data (IEC 60947)			Order code number
			Operational current $I_e$	Operational power at 380–440 V		
			AC-21A A	AC-23A kW	AC-3 kW	
Changeover with OFF Switching angle 90° OFF position padlockable 12h	2 or 4	H400-E	63	22	18,5	<b>H406 - 71 ... - 686H1</b>
			80	30	22	<b>H408 - 71 ... - 686H1</b>
			100	37	30	<b>H410 - 71 ... - 686H1</b>
			125	45	37	<b>H412 - 71 ... - 686H1</b>
Changeover with OFF Switching angle 90° 3 positions padlockable (09h/ 12h/ 03h)	2 or 4	H400-E	63	22	18,5	<b>H406 - 71 ... - 689H1</b>
			80	30	22	<b>H408 - 71 ... - 689H1</b>
			100	37	30	<b>H410 - 71 ... - 689H1</b>
			125	45	37	<b>H412 - 71 ... - 689H1</b>

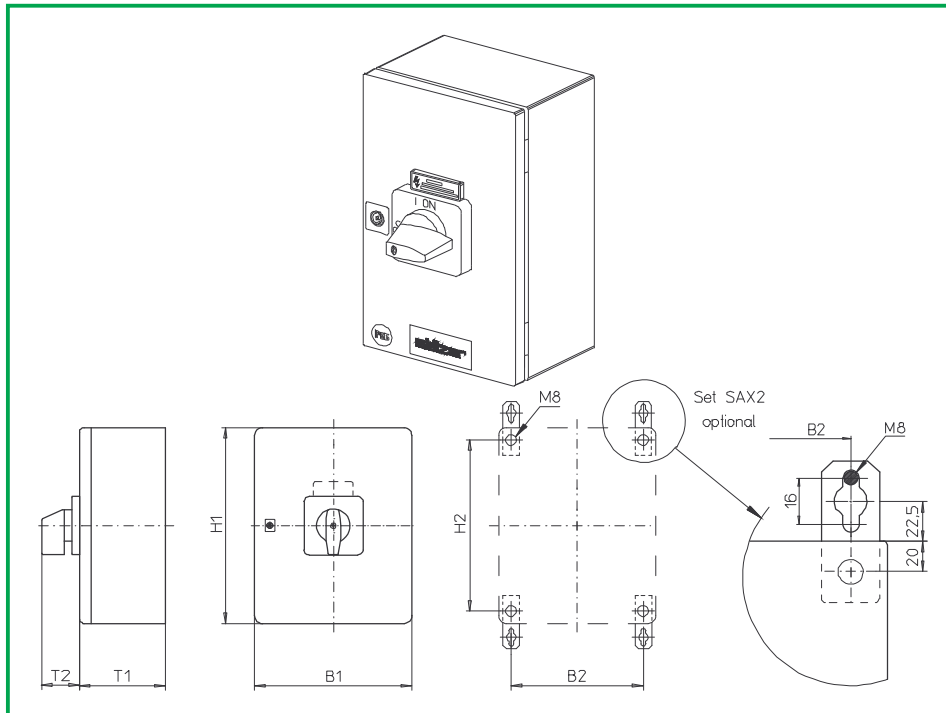
**SMD modules for basic switch A02**

Enclosure module, mounting form 686H1/689H1	H400-E	<b>BFC4 - ED</b>
Enclosure module, mounting form 686H1		<b>SAH4 - 686H1</b>
Enclosure module, mounting form 689H1		<b>SAH4 - 689H1</b>
Legend plate silver, enclosure module 686H1/689H1		<b>FAS6 - 9006</b>
<b>Mounting brackets</b> for enclosure modules SA (1 set) (Please order separately – accessories see page D5-1)		<b>SAX1</b>

**Dimensions (mm)**

Product line	H1	B1	T1	T2	H2	B2
H400-E	300	250	150	83	282	185

# Enclosed Switches



**Product lines**  
H400-A/ -D/ -E

**Mild steel enclosure**  
including door  
large connection room  
400 x 300 x 155 mm

With cover interlock  
in ON position

**Cable entries**  
Gland plate at the bottom

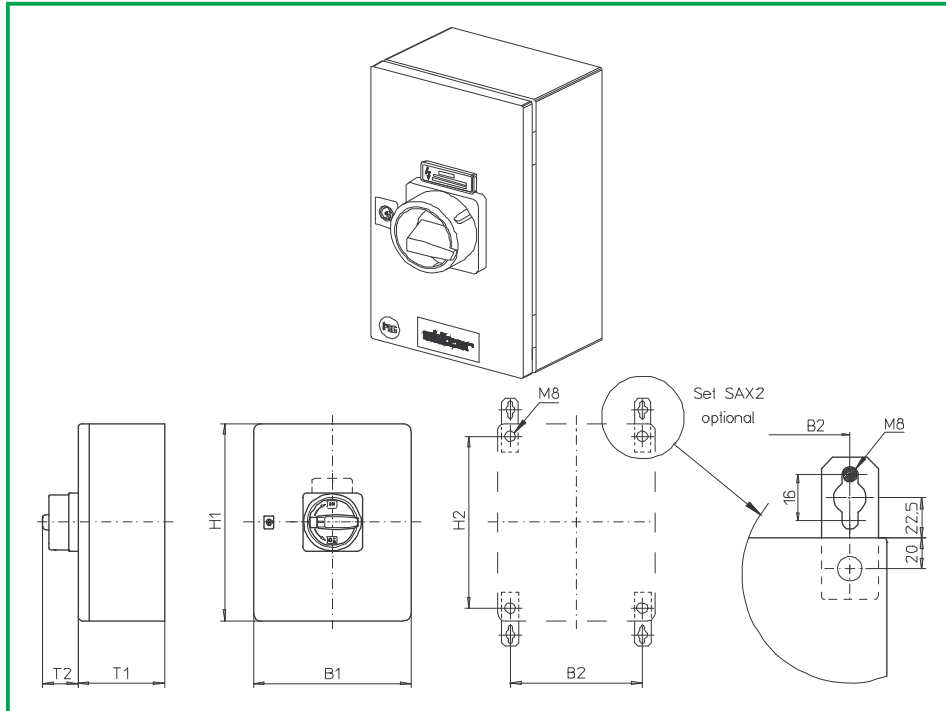
**181M1 (IP66)**

Complete switch	Poles	Product line	Rated data (IEC 60947)			Order code number
			Operational current I <sub>e</sub>	Operational power at 380–440 V		
			AC-21A A	AC-23A kW	AC-3 kW	
ON-OFF Switches Switching angle 90°	3 ... 8	H400-A/ -D	63	22	18,5	H406 - 41 ... - 181M1
			80	30	22	H408 - 41 ... - 181M1
			100	37	30	H410 - 41 ... - 181M1
			125	45	37	H412 - 41 ... - 181M1
Changeover with OFF Switching angle 90°	3 ... 4	H400-E	63	22	18,5	H406 - 71 ... - 181M1
			80	30	22	H408 - 71 ... - 181M1
			100	37	30	H410 - 71 ... - 181M1
			125	45	37	H412 - 71 ... - 181M1

SMD modules for basic switch A02		
Mounting form module (switch module E8)	H400-A	BFB4 - E8
Mounting form module (switch module E8)	H400-D/ -E	BFA4 - E8
Enclosure module, mounting form 181M1	H400-A/ -D/ -E	SAH4 - 181M1
Legend plate silver, enclosure module 181M1		FAS6 - 9 ... (FA number)
<b>Mounting brackets</b> for enclosure modules (Please order separately)		SAX2

Dimensions (mm)						
Product lines	H1	B1	T1	T2	H2	B2
H400-A	400	300	155	52	360	260
H400-D	400	300	155	52	360	260
H400-E	400	300	155	52	360	260

# Enclosed Switches



**Product lines**  
**H400-A/ -D**

**Mild steel enclosure**  
including door  
large connection room  
400 x 300 x 155 mm

With cover interlock  
in ON position

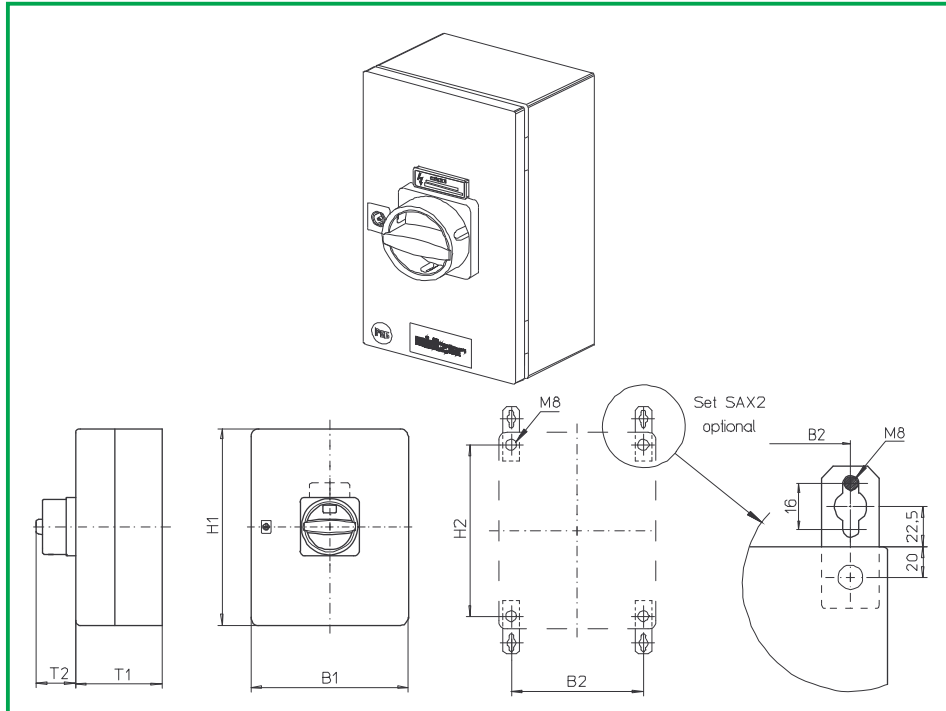
**Cable entries**  
Gland plate at the bottom  
**182M1 (IP66)**  
**182M4 (IP66)**

Complete switch	Poles	Product line	Rated data (IEC 60947)			Order code number
			Operational current I <sub>e</sub>	Operational power at 380–440 V		
			AC-21A A	AC-23A kW	AC-3 kW	
Main Switches OFF position padlockable 09h	3 ... 8	H400-A/ -D	63	22	18,5	<b>H406 - 41 ... - 182M1</b>
			80	30	22	<b>H408 - 41 ... - 182M1</b>
			100	37	30	<b>H410 - 41 ... - 182M1</b>
			125	45	37	<b>H412 - 41 ... - 182M1</b>
Main/Emergency-Off Switches OFF position padlockable 09h	3 ... 8	H400-A/ -D	63	22	18,5	<b>H406 - 41 ... - 182M4</b>
			80	30	22	<b>H408 - 41 ... - 182M4</b>
			100	37	30	<b>H410 - 41 ... - 182M4</b>
			125	45	37	<b>H412 - 41 ... - 182M4</b>

SMD modules for basic switch A02		
Mounting form module (switch module E8)	H400-A	<b>BFB4 - E8</b>
Mounting form module (switch module E8)	H400-D	<b>BFA4 - E8</b>
Enclosure module, mounting form 182M1	H400-A/ -D	<b>SAH4 - 182M1</b>
Enclosure module, mounting form 182M4		<b>SAH4 - 182M4</b>
<b>Mounting brackets</b> for enclosure modules (Please order separately)		<b>SAX2</b>

Dimensions (mm)						
Product lines	H1	B1	T1	T2	H2	B2
H400-A	400	300	155	50	360	260
H400-D	400	300	155	50	360	260

# Enclosed Switches



**Product lines**  
**H400-A/ -D**

**Mild steel enclosure**  
including door  
large connection room  
400 x 300 x 155 mm

With cover interlock  
in ON position

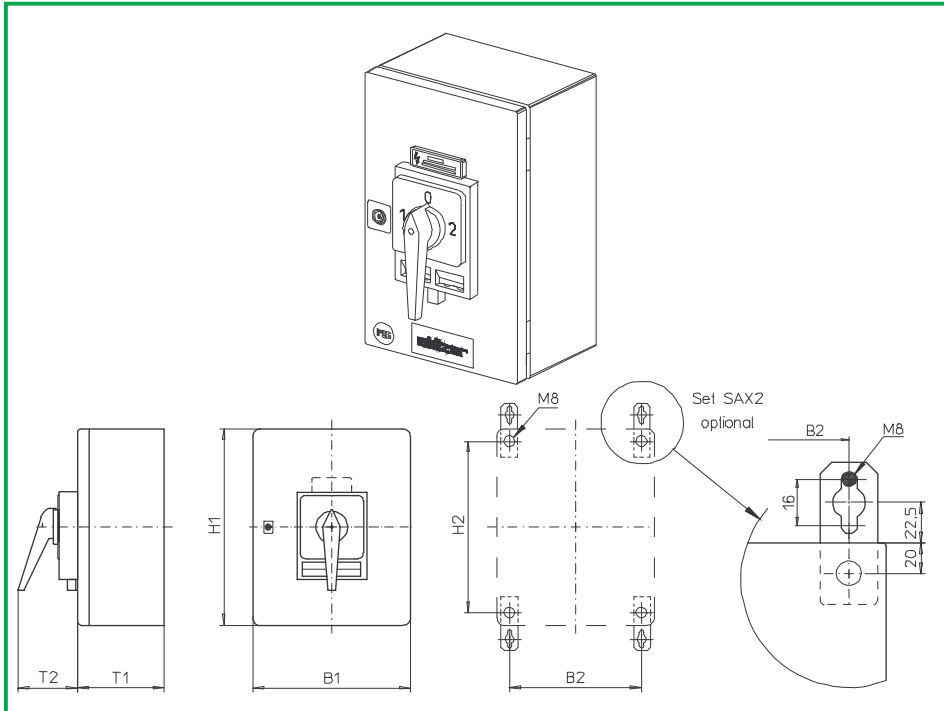
**Cable entries**  
Gland plate at the bottom  
**182N1 (IP66)**  
**182N4 (IP66)**

Complete switch	Poles	Product line	Rated data (IEC 60947)			Order code number
			Operational current $I_e$	Operational power at 380–440 V		
			AC-21A A	AC-23A kW	AC-3 kW	
Main Switches OFF position padlockable 09h	3 ... 8	H400-A/ -D	63	22	18,5	<b>H406 - 41 ... - 182N1</b>
			80	30	22	<b>H408 - 41 ... - 182N1</b>
			100	37	30	<b>H410 - 41 ... - 182N1</b>
			125	45	37	<b>H412 - 41 ... - 182N1</b>
Main/Emergency-Off Switches OFF position padlockable 09h	3 ... 8	H400-A/ -D	63	22	18,5	<b>H406 - 41 ... - 182N4</b>
			80	30	22	<b>H408 - 41 ... - 182N4</b>
			100	37	30	<b>H410 - 41 ... - 182N4</b>
			125	45	37	<b>H412 - 41 ... - 182N4</b>

SMD modules for basic switch A02		
Mounting form module (switch module E8)	H400-A	<b>BFB4 - E8</b>
Mounting form module (switch module E8)	H400-D	<b>BFA4 - E8</b>
Enclosure module, mounting form 182N1	H400-A/ -D	<b>SAH4 - 182N1</b>
Enclosure module, mounting form 182N4		<b>SAH4 - 182N4</b>
<b>Mounting brackets</b> for enclosure modules (Please order separately)		<b>SAX2</b>

Dimensions (mm)						
Product lines	H1	B1	T1	T2	H2	B2
H400-A	400	300	155	45	360	260
H400-D	400	300	155	45	360	260

# Enclosed Switches



**Product line  
H400-E**

**Mild steel enclosure  
including door**  
large connection room  
400 x 300 x 155 mm

With cover interlock  
in ON position

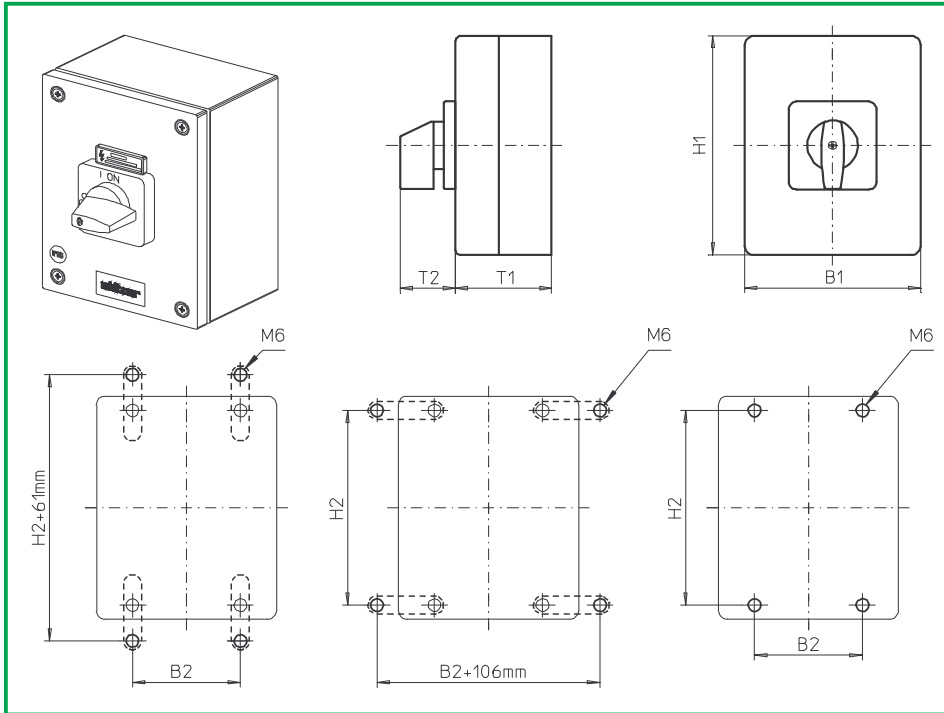
**Cable entries**  
Gland plate at the bottom

**183H1 (IP66)**

Complete switch	Poles	Product line	Rated data (IEC 60947)			Order code number
			Operational current $I_e$	Operational power at 380–440 V		
			AC-21A A	AC-23A kW	AC-3 kW	
Changeover with OFF Switching angle 90° OFF position padlockable 12h	3 ... 4	H400-E	63 80 100 125	22 30 37 45	18,5 22 30 37	<b>H406 - 71 ... - 183H1</b> <b>H408 - 71 ... - 183H1</b> <b>H410 - 71 ... - 183H1</b> <b>H412 - 71 ... - 183H1</b>
<b>SMD modules for basic switch A02</b>						
Mounting form module (switch module E8)			H400-E			<b>BFA4 - E8</b>
Enclosure module, mounting form 183H1						<b>SAH4 - 183H1</b>
Legend plate silver, enclosure module 183H1						<b>FAS6 - 9 ... (FA number)</b>
<b>Mounting brackets</b> for enclosure modules (Please order separately)						<b>SAX2</b>
<b>Dimensions (mm)</b>						
<b>Product lines</b>	<b>H1</b>	<b>B1</b>	<b>T1</b>	<b>T2</b>	<b>H2</b>	<b>B2</b>
H400-E	400	300	155	45	360	260



# Enclosed Switches



**Product line**  
**H400-A**

**Enclosed switches**

**Stainless steel enclosure**

200 x 150 x 120 mm

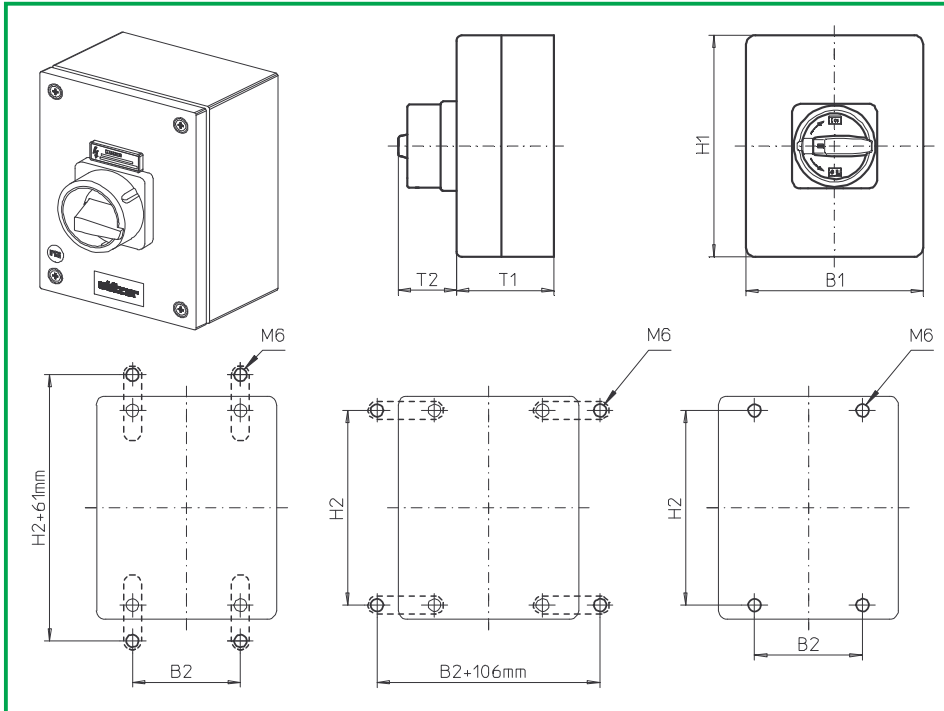
With cover interlock in ON position

**Cable entries**  
without

**996M1 (IP66)**

Complete switch	Poles	Product line	Rated data (IEC 60947)			Order code number
			Operational current $I_e$	Operational power at 380–440 V		
			AC-21A A	AC-23A kW	AC-3 kW	
ON-OFF Switches Switching angle 90°	3 ... 4	H400-A	63 80	22 30	18,5 22	<b>H406 - 41 ... - 996M1</b> <b>H408 - 41 ... - 996M1</b>
<b>SMD modules for basic switch A02</b>						
Enclosure module, mounting form 996M1				H400-A		<b>SBH4 - 996M1</b>
Legend plate silver, enclosure module 996M1						<b>FAS6 - 9078</b>
<b>Mounting brackets</b> for enclosure modules SB (1 set) (Please order separately – accessories see page D5-2)						<b>SBX1</b>
<b>Dimensions (mm)</b>						
<b>Product line</b>	<b>H1</b>	<b>B1</b>	<b>T1</b>	<b>T2</b>	<b>H2</b>	<b>B2</b>
H400-A	200	150	120	52	182	85

# Enclosed Switches



**Product line**  
**H400-A**

**Enclosed switches**

**Stainless steel enclosure**  
200 x 150 x 120 mm

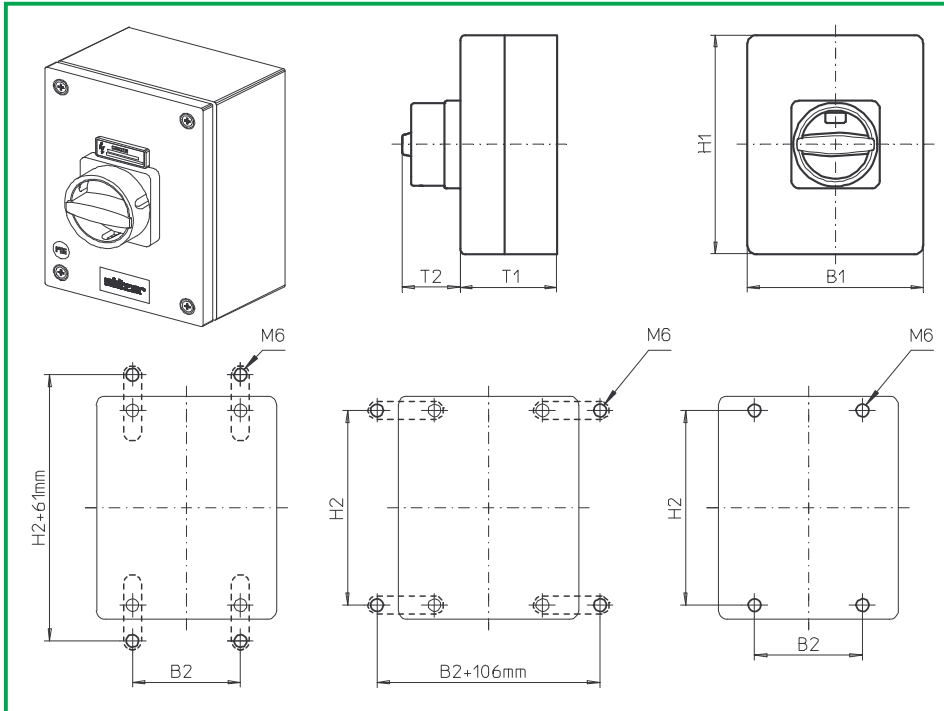
With cover interlock  
in ON position

**Cable entries**  
without

**997M1 (IP66)**  
**997M4 (IP66)**

Complete switch	Poles	Product line	Rated data (IEC 60947)			Order code number
			Operational current I <sub>e</sub>	Operational power at 380–440 V		
			AC-21A A	AC-23A kW	AC-3 kW	
Main Switches	3 ... 4	H400-A	63	22	18,5	<b>H406 - 41 ... - 997M1</b>
OFF position padlockable 09h			80	30	22	<b>H408 - 41 ... - 997M1</b>
Main/Emergency-Off Switches	3 ... 4	H400-A	63	22	18,5	<b>H406 - 41 ... - 997M4</b>
OFF position padlockable 09h			80	30	22	<b>H408 - 41 ... - 997M4</b>
<b>SMD modules for basic switch A02</b>						
Enclosure module, mounting form 997M1			H400-A			<b>SBH4 - 997M1</b>
Enclosure module, mounting form 997M4						<b>SBH4 - 997M4</b>
<b>Mounting brackets</b> for enclosure modules SB (1 set) (Please order separately – accessories see page D5-2)						<b>SBX1</b>
<b>Dimensions (mm)</b>						
Product line	H1	B1	T1	T2	H2	B2
H400-A	200	150	120	50	182	85

# Enclosed Switches



**Product line  
H400-A**

**Enclosed switches**

**Stainless steel enclosure**

200 x 150 x 120 mm

With cover interlock in ON position

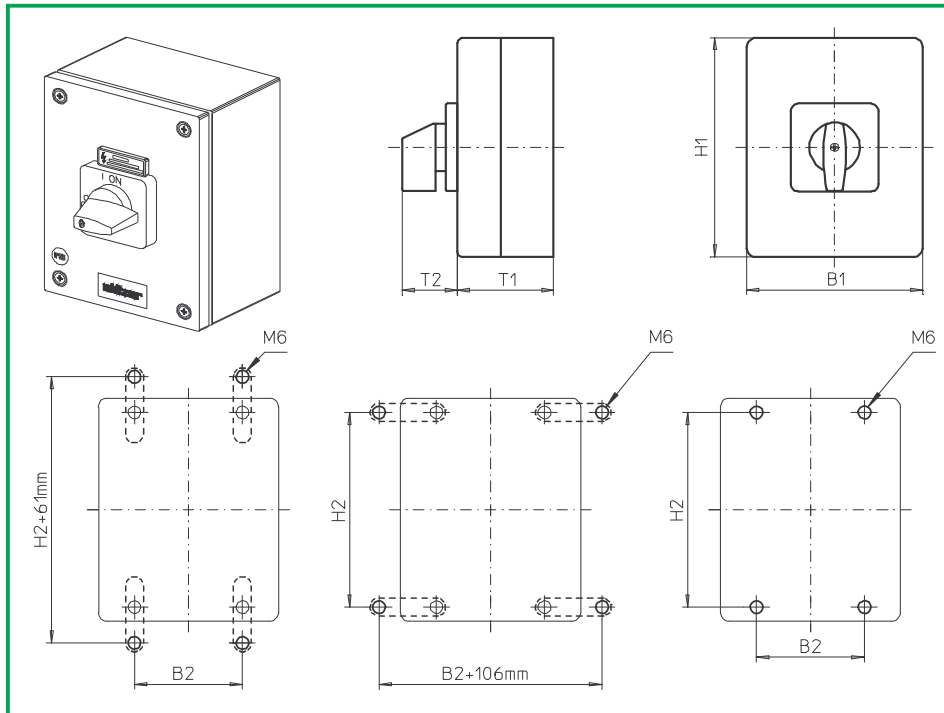
**Cable entries**  
without

**997N1 (IP66)**

**997N4 (IP66)**

Complete switch	Poles	Product line	Rated data (IEC 60947)			Order code number
			Operational current I <sub>e</sub>	Operational power at 380–440 V		
			AC-21A A	AC-23A kW	AC-3 kW	
Main Switches	3 ... 4	H400-A	63	22	18,5	<b>H406 - 41 ... - 997N1</b>
OFF position padlockable 09h			80	30	22	<b>H408 - 41 ... - 997N1</b>
Main/Emergency-Off Switches	3 ... 4	H400-A	63	22	18,5	<b>H406 - 41 ... - 997N4</b>
OFF position padlockable 09h			80	30	22	<b>H408 - 41 ... - 997N4</b>
<b>SMD modules for basic switch A02</b>						
Enclosure module, mounting form 997N1			H400-A			<b>SBH4 - 997N1</b>
Enclosure module, mounting form 997N4						<b>SBH4 - 997N4</b>
<b>Mounting brackets</b> for enclosure modules SB (1 set) (Please order separately – accessories see page D5-2)						<b>SBX1</b>
<b>Dimensions (mm)</b>						
<b>Product line</b>	<b>H1</b>	<b>B1</b>	<b>T1</b>	<b>T2</b>	<b>H2</b>	<b>B2</b>
H400-A	200	150	120	45	182	85

# Enclosed Switches



**Product lines**  
H400-A/ -D/ -E

**Enclosed switches**

**Stainless steel enclosure**  
300 x 250 x 150 mm

With cover interlock  
in ON position

**Cable entries**  
without

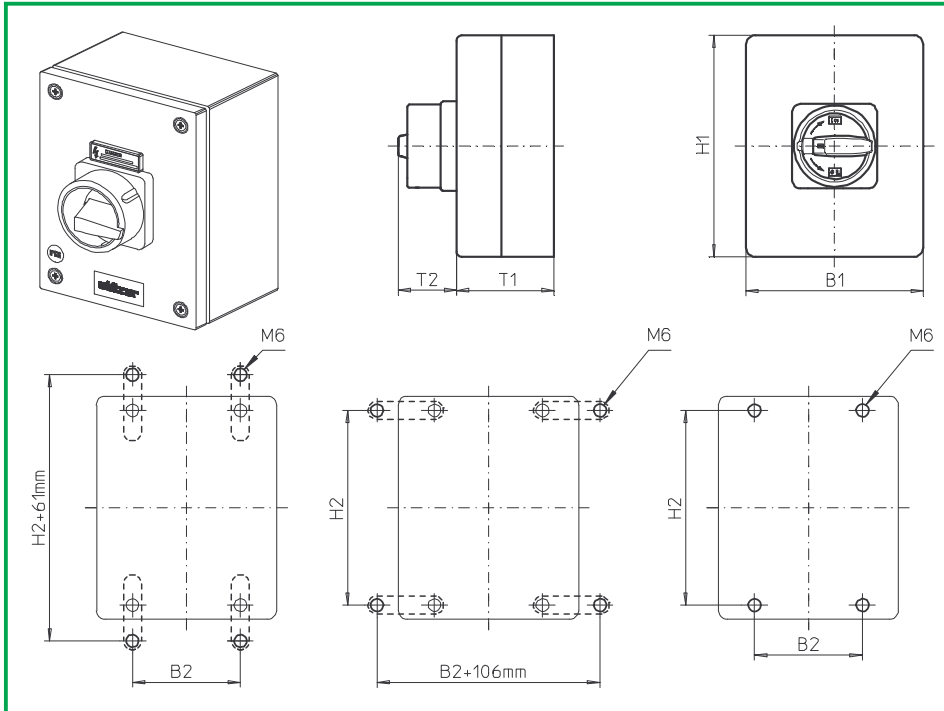
**196M1 (IP66)**

Complete switch	Poles	Product line	Rated data (IEC 60947)			Order code number
			Operational current I <sub>e</sub>	Operational power at 380–440 V		
			AC-21A A	AC-23A kW	AC-3 kW	
ON-OFF Switches Switching angle 90°	3 ... 8	H400-A/ -D	63	22	18,5	<b>H406 - 41 ... - 196M1</b>
			80	30	22	<b>H408 - 41 ... - 196M1</b>
			100	37	30	<b>H410 - 41 ... - 196M1</b>
			125	45	37	<b>H412 - 41 ... - 196M1</b>
Changeover with OFF Switching angle 90°	3 ... 4	H400-E	63	22	18,5	<b>H406 - 71 ... - 196M1</b>
			80	30	22	<b>H408 - 71 ... - 196M1</b>
			100	37	30	<b>H410 - 71 ... - 196M1</b>
			125	45	37	<b>H412 - 71 ... - 196M1</b>

SMD modules for basic switch A02		
Mounting form module (switch module ED)	H400-A	<b>BFA4 - ED</b>
Mounting form module (switch module ED)	H400-D	<b>BFB4 - ED</b>
Mounting form module (switch module ED)	H400-E	<b>BFC4 - ED</b>
Enclosure module, mounting form 196M1	H400-A/ -D/ -E	<b>SBH4 - 196M1</b>
Legend plate silver, enclosure module 196M1		<b>FAS6 - 9 ... (FA number)</b>
<b>Mounting brackets</b> for enclosure modules SB (1 set) (Please order separately – accessories see page D5-2)		<b>SBX1</b>

Dimensions (mm)							
Product lines	H1	B1	T1	T2	H2	B2	
H400-A	300	250	150	52	282	185	
H400-D	300	250	150	52	282	185	
H400-E	300	250	150	52	282	185	

# Enclosed Switches



**Product lines**  
H400-A/ -D

**Enclosed switches**

**Stainless steel enclosure**  
300 x 250 x 150 mm

With cover interlock in ON position

**Cable entries**  
without

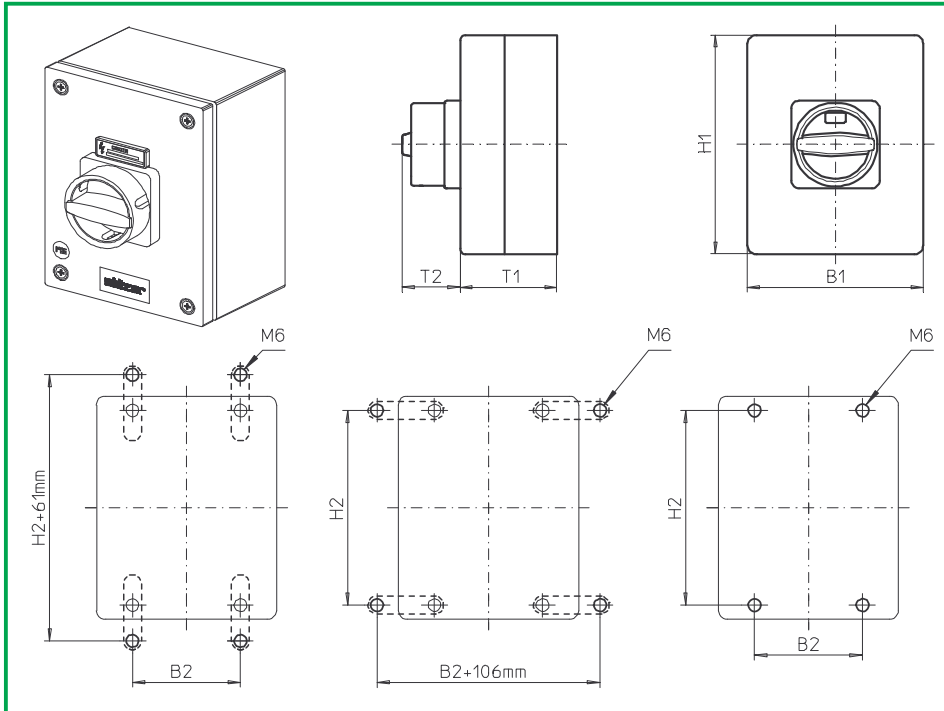
**197M1 (IP66)**  
**197M4 (IP66)**

Complete switch	Poles	Product line	Rated data (IEC 60947)			Order code number
			Operational current I <sub>e</sub>	Operational power at 380–440 V		
			AC-21A A	AC-23A kW	AC-3 kW	
Main Switches OFF position padlockable 09h	3 ... 8	H400-A/ -D	63	22	18,5	<b>H406 - 41 ... - 197M1</b>
			80	30	22	<b>H408 - 41 ... - 197M1</b>
			100	37	30	<b>H410 - 41 ... - 197M1</b>
			125	45	37	<b>H412 - 41 ... - 197M1</b>
Main/Emergency-Off Switches OFF position padlockable 09h	3 ... 8	H400-A/ -D	63	22	18,5	<b>H406 - 41 ... - 197M4</b>
			80	30	22	<b>H408 - 41 ... - 197M4</b>
			100	37	30	<b>H410 - 41 ... - 197M4</b>
			125	45	37	<b>H412 - 41 ... - 197M4</b>

SMD modules for basic switch A02		
Mounting form module (switch module ED)	H400-A	<b>BFA4 - ED</b>
Mounting form module (switch module ED)	H400-D	<b>BFB4 - ED</b>
Enclosure module, mounting form 197M1	H400-A/ -D	<b>SBH4 - 197M1</b>
Enclosure module, mounting form 197M4		<b>SBH4 - 197M4</b>
<b>Mounting brackets</b> for enclosure modules SB (1 set) (Please order separately – accessories see page D5-2)		<b>SBX1</b>

Dimensions (mm)						
Product lines	H1	B1	T1	T2	H2	B2
H400-A	300	250	150	50	282	185
H400-D	300	250	150	50	282	185

# Enclosed Switches



**Product lines**  
H400-A/ -D

**Enclosed switches**

**Stainless steel enclosure**  
300 x 250 x 150 mm

With cover interlock in ON position

**Cable entries**  
without

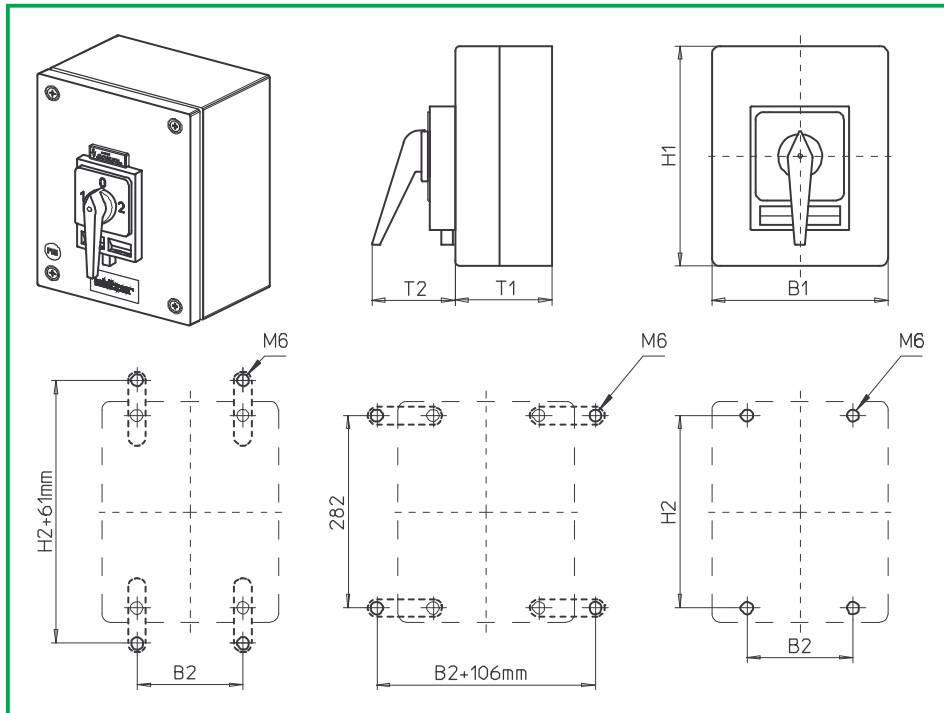
**197N1 (IP66)**  
**197N4 (IP66)**

Complete switch	Poles	Product line	Rated data (IEC 60947)			Order code number
			Operational current I <sub>e</sub>	Operational power at 380–440 V		
			AC-21A A	AC-23A kW	AC-3 kW	
Main Switches OFF position padlockable 09h	3 ... 8	H400-A/ -D	63	22	18,5	H406 - 41 ... - 197N1
			80	30	22	H408 - 41 ... - 197N1
			100	37	30	H410 - 41 ... - 197N1
			125	45	37	H412 - 41 ... - 197N1
Main/Emergency-Off Switches OFF position padlockable 09h	3 ... 8	H400-A/ -D	63	22	18,5	H406 - 41 ... - 197N4
			80	30	22	H408 - 41 ... - 197N4
			100	37	30	H410 - 41 ... - 197N4
			125	45	37	H412 - 41 ... - 197N4

SMD modules for basic switch A02		
Mounting form module (switch module ED)	H400-A	BFA4 - ED
Mounting form module (switch module ED)	H400-D	BFB4 - ED
Enclosure module, mounting form 197N1	H400-A/ -D	SBH4 - 197N1
Enclosure module, mounting form 197N4		SBH4 - 197N4
<b>Mounting brackets</b> for enclosure modules SB (1 set) (Please order separately – accessories see page D5-2)		SBX1

Dimensions (mm)						
Product lines	H1	B1	T1	T2	H2	B2
H400-A	300	250	150	45	282	185
H400-D	300	250	150	45	282	185

# Enclosed Switches



**Product line  
H400-E**

**Enclosed switches**

**Stainless steel enclosure**

300 x 250 x 150 mm

With cover interlock in ON position

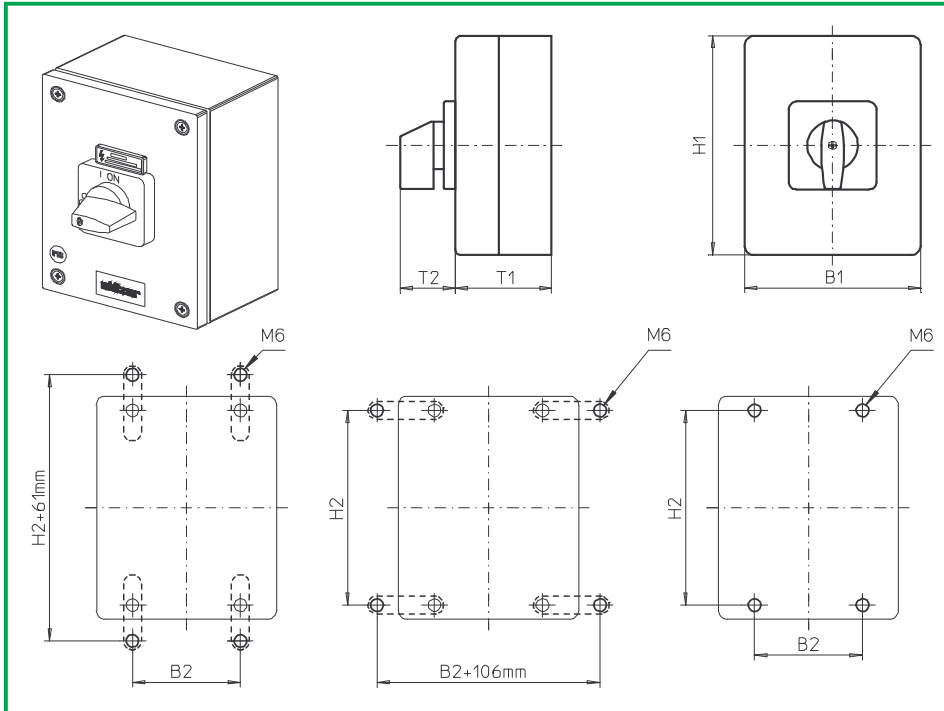
**Cable entries**  
without

**196H1 (IP66)**

**199H1 (IP66)**

Complete switch	Poles	Product line	Rated data (IEC 60947)			Order code number
			Operational current I <sub>e</sub>	Operational power at 380–440 V		
			AC-21A A	AC-23A kW	AC-3 kW	
Changeover with OFF Switching angle 90° OFF position padlockable 12h	3 ... 4	H400-E	63	22	18,5	<b>H406 - 71 ... - 196H1</b>
			80	30	22	<b>H408 - 71 ... - 196H1</b>
			100	37	30	<b>H410 - 71 ... - 196H1</b>
			125	45	37	<b>H412 - 71 ... - 196H1</b>
Changeover with OFF Switching angle 90° 3 positions padlockable (09h/ 12h/ 03h)	3 ... 4	H400-E	63	22	18,5	<b>H406 - 71 ... - 199H1</b>
			80	30	22	<b>H408 - 71 ... - 199H1</b>
			100	37	30	<b>H410 - 71 ... - 199H1</b>
			125	45	37	<b>H412 - 71 ... - 199H1</b>
<b>SMD modules for basic switch A02</b>						
Mounting form module for 196H1/199H1			H400-E			<b>BFC4 - ED</b>
Enclosure module, mounting form 196H1						<b>SBH4 - 196H1</b>
Enclosure module, mounting form 199H1						<b>SBH4 - 199H1</b>
Legend plate silver, enclosure module 196H1/199H1						<b>FAS6 - 9006</b>
<b>Mounting brackets</b> for enclosure modules SB (1 set) (Please order separately – accessories see page D5-2)						<b>SBX1</b>
<b>Dimensions (mm)</b>						
<b>Product line</b>	<b>H1</b>	<b>B1</b>	<b>T1</b>	<b>T2</b>	<b>H2</b>	<b>B2</b>
H400-E	300	250	150	83	282	185

# Enclosed Switches



**Product lines**  
H400-A/ -D/ -E

**Enclosed switches**

**Stainless steel enclosure**

300 x 250 x 150 mm

With cover interlock in ON position

without N modules in the enclosure

**Cable entries**  
without

**696M1 (IP66)**

Complete switch	Poles	Product line	Rated data (IEC 60947)			Order code number
			Operational current I <sub>e</sub>	Operational power at 380–440 V		
			AC-21A A	AC-23A kW	AC-3 kW	
ON-OFF Switches Switching angle 90°	4 or 8	H400-A/ -D	63	22	18,5	<b>H406 - 41 ... - 696M1</b>
			80	30	22	<b>H408 - 41 ... - 696M1</b>
			100	37	30	<b>H410 - 41 ... - 696M1</b>
			125	45	37	<b>H412 - 41 ... - 696M1</b>
Changeover with OFF Switching angle 90°	2 or 4	H400-E	63	22	18,5	<b>H406 - 71 ... - 696M1</b>
			80	30	22	<b>H408 - 71 ... - 696M1</b>
			100	37	30	<b>H410 - 71 ... - 696M1</b>
			125	45	37	<b>H412 - 71 ... - 696M1</b>

**SMD modules for basic switch A02**

Mounting form module (switch module ED)  
Mounting form module (switch module ED)  
Mounting form module (switch module ED)

H400-A  
H400-D  
H400-E

**BFA4 - ED**  
**BFB4 - ED**  
**BFC4 - ED**

Enclosure module, mounting form 696M1

H400-A/ -D/ -E

**SBH4 - 696M1**

Legend plate silver, enclosure module 696M1

**FAS6 - 9 ... (FA number)**

**Mounting brackets** for enclosure modules SB (1 set)  
(Please order separately – accessories see page D5-2)

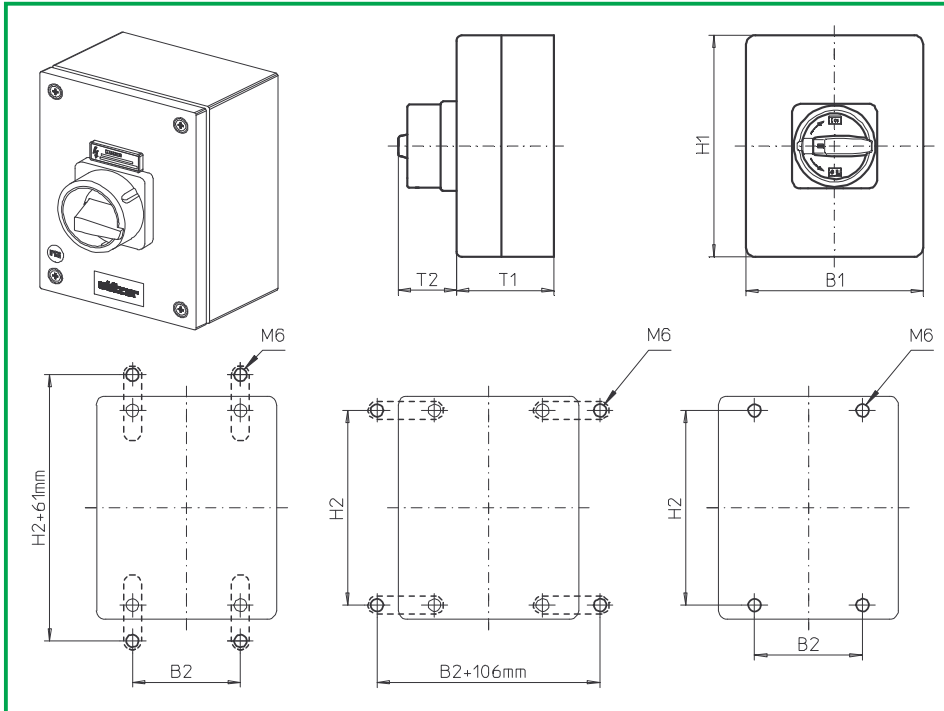
**SBX1**

**Dimensions (mm)**

Product lines	H1	B1	T1	T2	H2	B2
H400-A	300	250	150	52	282	185
H400-D	300	250	150	52	282	185
H400-E	300	250	150	52	282	185



# Enclosed Switches



**Product lines**  
H400-A/ -D

**Enclosed switches**

**Stainless steel enclosure**

300 x 250 x 150 mm

With cover interlock in ON position

without N modules in the enclosure

**Cable entries**  
without

**697M1 (IP66)**

**697M4 (IP66)**

Complete switch	Poles	Product line	Rated data (IEC 60947)			Order code number
			Operational current I <sub>e</sub>	Operational power at 380–440 V		
			AC-21A A	AC-23A kW	AC-3 kW	
Main Switches OFF position padlockable 09h	4 or 8	H400-A/ -D	63	22	18,5	<b>H406 - 41 ... - 697M1</b>
			80	30	22	<b>H408 - 41 ... - 697M1</b>
			100	37	30	<b>H410 - 41 ... - 697M1</b>
			125	45	37	<b>H412 - 41 ... - 697M1</b>
Main/Emergency-Off Switches OFF position padlockable 09h	4 or 8	H400-A/ -D	63	22	18,5	<b>H406 - 41 ... - 697M4</b>
			80	30	22	<b>H408 - 41 ... - 697M4</b>
			100	37	30	<b>H410 - 41 ... - 697M4</b>
			125	45	37	<b>H412 - 41 ... - 697M4</b>

**SMD modules for basic switch A02**

Mounting form module (switch module ED)  
Mounting form module (switch module ED)

H400-A  
H400-D

**BFA4 - ED**  
**BFB4 - ED**

Enclosure module, mounting form 697M1  
Enclosure module, mounting form 697M4

H400-A/ -D

**SBH4 - 697M1**  
**SBH4 - 697M4**

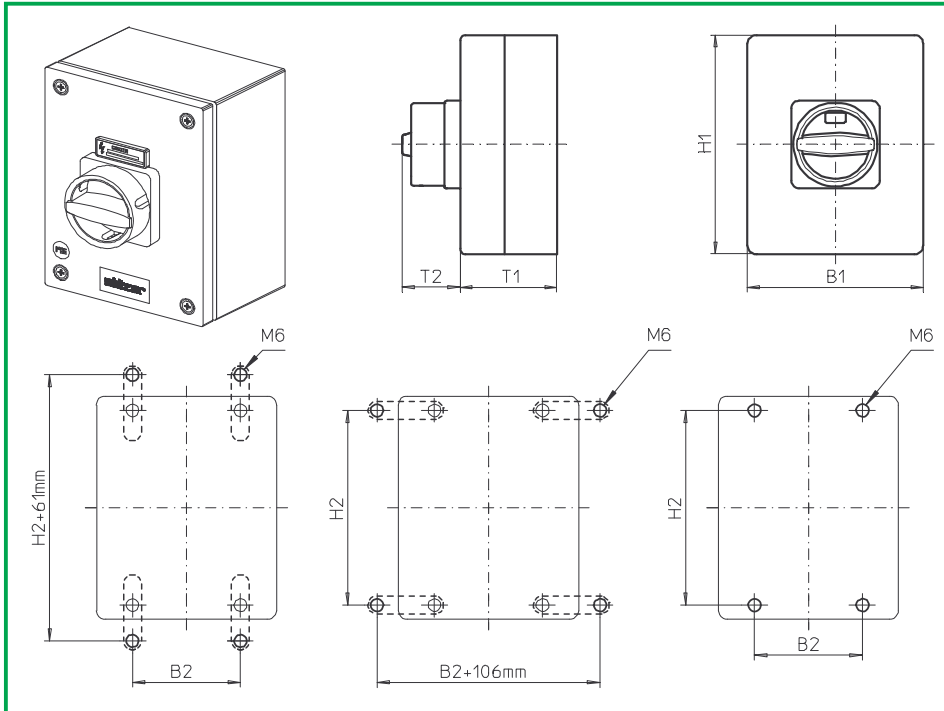
**Mounting brackets** for enclosure modules SB (1 set)  
(Please order separately – accessories see page D5-2)

**SBX1**

**Dimensions (mm)**

Product lines	H1	B1	T1	T2	H2	B2
H400-A	300	250	150	50	282	185
H400-D	300	250	150	50	282	185

# Enclosed Switches



**Product lines**  
H400-A/ -D

**Enclosed switches**

**Stainless steel enclosure**

300 x 250 x 150 mm

With cover interlock in ON position

without N modules in the enclosure

**Cable entries**

without

**697N1 (IP66)**

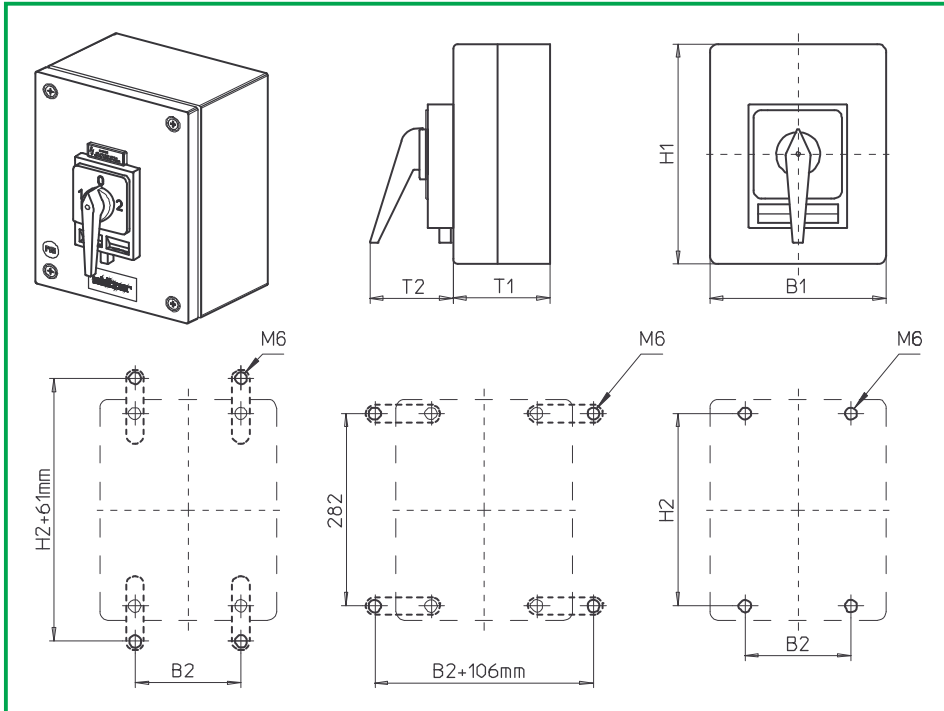
**697N4 (IP66)**

Complete switch	Poles	Product line	Rated data (IEC 60947)			Order code number
			Operational current I <sub>e</sub>	Operational power at 380–440 V		
			AC-21A A	AC-23A kW	AC-3 kW	
Main Switches OFF position padlockable 09h	4 or 8	H400-A/ -D	63	22	18,5	H406 - 41 ... - 697N1
			80	30	22	H408 - 41 ... - 697N1
			100	37	30	H410 - 41 ... - 697N1
			125	45	37	H412 - 41 ... - 697N1
Main/Emergency-Off Switches OFF position padlockable 09h	4 or 8	H400-A/ -D	63	22	18,5	H406 - 41 ... - 697N4
			80	30	22	H408 - 41 ... - 697N4
			100	37	30	H410 - 41 ... - 697N4
			125	45	37	H412 - 41 ... - 697N4

SMD modules for basic switch A02		
Mounting form module (switch module ED)	H400-A	BFA4 - ED
Mounting form module (switch module ED)	H400-D	BFB4 - ED
Enclosure module, mounting form 697N1	H400-A/ -D	SBH4 - 697N1
Enclosure module, mounting form 697N4		SBH4 - 697N4
<b>Mounting brackets</b> for enclosure modules SB (1 set) (Please order separately – accessories see page D5-2)		SBX1

Dimensions (mm)						
Product lines	H1	B1	T1	T2	H2	B2
H400-A	300	250	150	45	282	185
H400-D	300	250	150	45	282	185

# Enclosed Switches



**Product line  
H400-E**

**Enclosed switches**

**Stainless steel  
enclosure**

300 x 250 x 150 mm

With cover interlock  
in ON position

without N modules in the enclosure

**Cable entries**

without

**696H1 (IP66)**

**699H1 (IP66)**

Complete switch	Poles	Product line	Rated data (IEC 60947)			Order code number
			Operational current $I_e$	Operational power at 380–440 V		
			AC-21A A	AC-23A kW	AC-3 kW	
Changeover with OFF Switching angle 90° OFF position padlockable 12h	2 or 4	H400-E	63	22	18,5	<b>H406 - 71 ... - 696H1</b>
			80	30	22	<b>H408 - 71 ... - 696H1</b>
			100	37	30	<b>H410 - 71 ... - 696H1</b>
			125	45	37	<b>H412 - 71 ... - 696H1</b>
Changeover with OFF Switching angle 90° 3 positions padlockable (09h/ 12h/ 03h)	2 or 4	H400-E	63	22	18,5	<b>H406 - 71 ... - 699H1</b>
			80	30	22	<b>H408 - 71 ... - 699H1</b>
			100	37	30	<b>H410 - 71 ... - 699H1</b>
			125	45	37	<b>H412 - 71 ... - 699H1</b>

**SMD modules for basic switch A02**

Mounting form module for 696H1/699H1

H400-E

**BFC4 - ED**

Enclosure module, mounting form 696H1  
Enclosure module, mounting form 699H1

**SBH4 - 696H1  
SBH4 - 699H1**

Legend plate silver, enclosure module 696H1/699H1

**FAS6 - 9006**

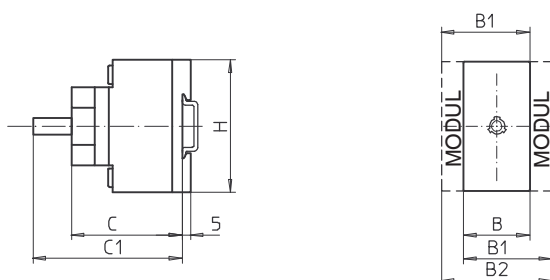
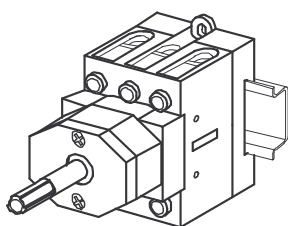
**Mounting brackets** for enclosure modules SB (1 set)  
(Please order separately – accessories see page D5-2)

**SBX1**

**Dimensions (mm)**

Product line	H1	B1	T1	T2	H2	B2
H400-E	300	250	150	83	282	185

# Switch Modules



**Product line**  
H400-A

**Switch modules**

for mounting forms in  
base mounting  
and enclosures

**Base mounting**

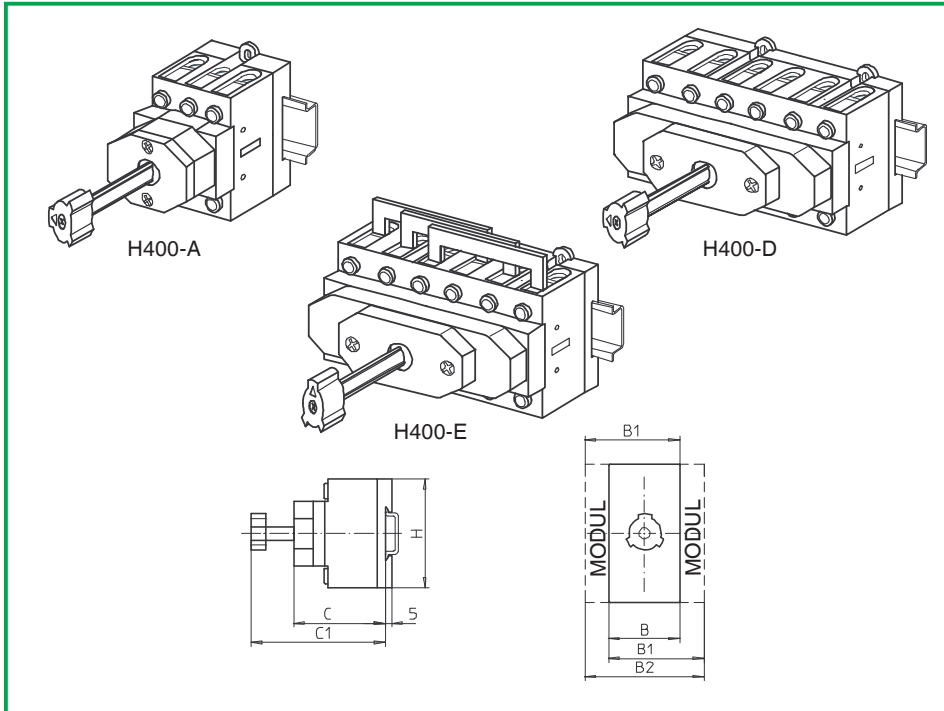
Snap on mounting  
on DIN rail 35mm

**EA (IP2B)**

Complete switch	Poles	Product line	Rated data (IEC 60947)			Order code number
			Operational current I <sub>e</sub>	Operational power at 380–440 V		
			AC-21A A	AC-23A kW	AC-3 kW	
ON-OFF Switches Switching positions 0-1 Switching angle 90°	3 ... 4	H400-A	63 80 100 125	22 30 37 45	18,5 22 30 37	<b>H406 - 4.... - EA</b> <b>H408 - 4.... - EA</b> <b>H410 - 4.... - EA</b> <b>H412 - 4.... - EA</b>
<b>SMD modules for basic switch A02</b>						
Mounting form module EA			H400-A			<b>BFA4-EA</b>
<b>Dimensions (mm)</b>						
<b>Modules</b>	<b>H</b>	<b>C</b>	<b>C1</b>	<b>B</b>	<b>B1</b>	<b>B2</b>
BFA4-EA	80	65	105	70	89	108

# Switch Modules

**sälzer**



**Product line**  
H400-A/ -D/ -E

**Switch modules**

for mounting forms in  
base mounting  
and enclosures

**Base mounting**

Snap on mounting  
on DIN rail 35mm

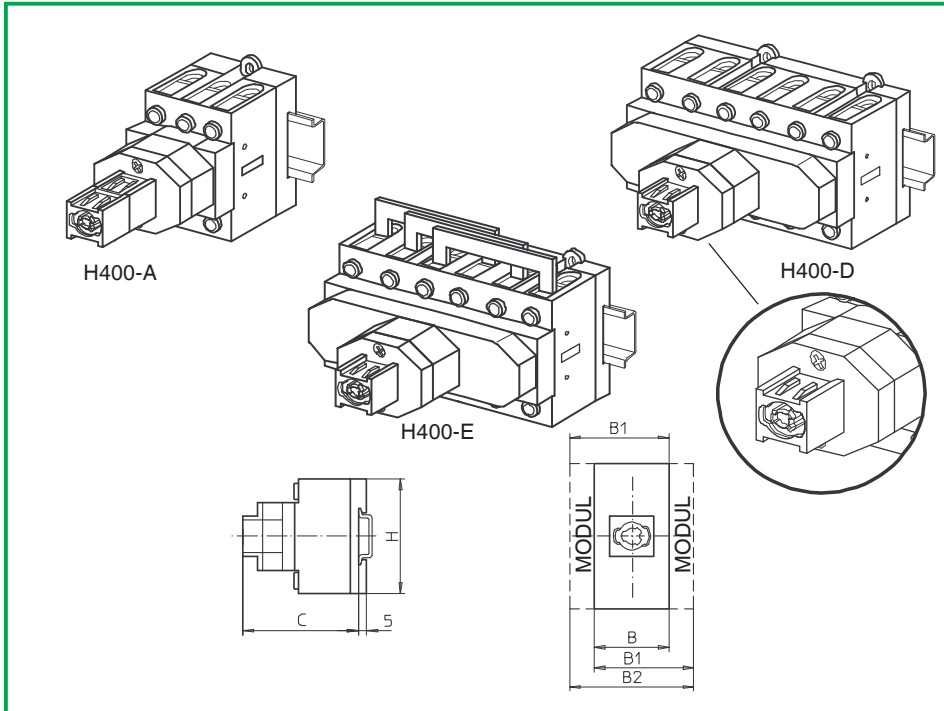
**ED (IP2B)**

Complete switch	Poles	Product line	Rated data (IEC 60947)			Order code number
			Operational current I <sub>e</sub>	Operational power at 380–440 V		
			AC-21A A	AC-23A kW	AC-3 kW	
ON-OFF Switches Switching positions 0-1 Switching angle 90°	3 ... 8	H400-A/ -D	63	22	18,5	<b>H406 - 4.... - ED</b>
			80	30	22	<b>H408 - 4.... - ED</b>
			100	37	30	<b>H410 - 4.... - ED</b>
			125	45	37	<b>H412 - 4.... - ED</b>
Changeover with OFF Switching positions 1-0-2 Switching angle 90°	3 ... 4	H400-E	63	22	18,5	<b>H406 - 7.... - ED</b>
			80	30	22	<b>H408 - 7.... - ED</b>
			100	37	30	<b>H410 - 7.... - ED</b>
			125	45	37	<b>H412 - 7.... - ED</b>

SMD modules for basic switch A02		
Mounting form module ED		
	H400-A H400-D H400-E H400-A	<b>BFA4 - ED</b> <b>BFB4 - ED</b> <b>BFC4 - ED</b> <b>BFD4 - ED</b>

Dimensions (mm)							
Module	H	C	C1	B	B1	B2	B2
BFA4-ED	80	65	111	70	89	108	108
BFB4-ED	80	78	111	140	159	178	178
BFC4-ED	80	78	82	140	159	178	178
BFD4-ED	80	65	81	70	89	108	108

# Switch Modules



**Product line**  
H400-A/ -D/ -E

## Switch modules

for mounting forms in  
base mounting  
and enclosures

## Base mounting

Snap on mounting  
on DIN rail 35mm

**E8 (IP2B)**

Complete switch	Poles	Product line	Rated data (IEC 60947)			Order code number
			Operational current I <sub>e</sub>	Operational power at 380–440 V		
			AC-21A A	AC-23A kW	AC-3 kW	
ON-OFF Switches Switching positions 0-1 Switching angle 90°	3 ... 8	H400-A/ -D	63	22	18,5	<b>H406 - 4.... - E8</b>
			80	30	22	<b>H408 - 4.... - E8</b>
			100	37	30	<b>H410 - 4.... - E8</b>
			125	45	37	<b>H412 - 4.... - E8</b>
Changeover with OFF Switching positions 1-0-2 Switching angle 90°	3 ... 4	H400-E	63	22	18,5	<b>H406 - 7.... - E8</b>
			80	30	22	<b>H408 - 7.... - E8</b>
			100	37	30	<b>H410 - 7.... - E8</b>
			125	45	37	<b>H412 - 7.... - E8</b>

SMD modules for basic switch A02		
Mounting form module	H400-D / -E H400-A	<b>BFA4 - E8</b> <b>BFB4 - E8</b>

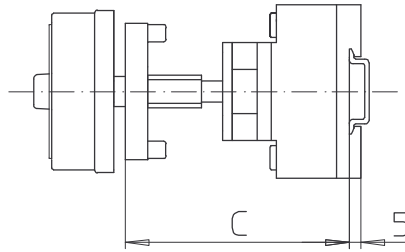
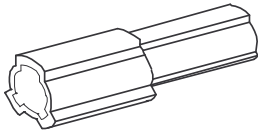
Dimensions (mm)					
Mounting modules	H	C	B	B1	B2
H400-A	80	108	70	89	108
H400-D/ -E	80	98	140	159	178



## Section D

	Page	
	from	to
<b>Shaft extensions</b>	<b>D1-1</b>	<b>D1-6</b>
<b>Covers, neutral jumpers</b>	<b>D2-1</b>	<b>D2-2</b>
<b>Additional top escutcheon plates</b>	<b>D3-1</b>	<b>D3-2</b>
<b>Assembly tool</b>	<b>D4-1</b>	<b>D4-1</b>
<b>Mounting sets</b>	<b>D5-1</b>	<b>D5-2</b>

**Originator: Sälzer Electric GmbH · Product Data Management (PDM) · 09306 Rochlitz (Germany)**  
 Copyright reserved by Sälzer Electric GmbH. This document replaces all previous issues.  
 Valid until a new version is published. Changes and revisions reserved.



**Product lines**  
H400-A/ -D/ -E

**Base mounting switch**

**Door clutch**  
Modular shaft extension

**Four hole mounting**  
front

**AVD4**

**Modular shaft extensions for use with door clutch**

Dimension C (internal depth, inside of door to top of DIN rail)

Dimension	H400-A	H400-D/ -E	No.	Order code number
0	102 ... 119 mm	115 ... 132 mm	-	-
1	120 ... 144 mm	133 ... 157 mm	1	AVD4
2	145 ... 169 mm	158 ... 182 mm	2	AVD4
3	170 ... 194 mm	183 ... 207 mm	3	AVD4
4	195 ... 219 mm	208 ... 232 mm	4	AVD4

**Product lines H400**

AVD4 is suitable to extend the shaft:

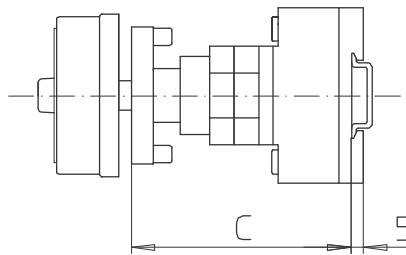
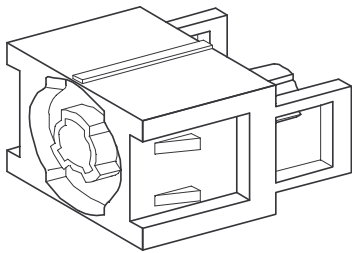
231M1/ 231M4  
231N1/ 231N4

232M1/ 232M4  
232N1/ 232N4  
232V1/ 232V4

240V1/ 241V1

241M1





**Product lines**  
H400-A/ -D/ -E

**Base mounting switch**

**Door interlock**  
Modular shaft extension

**Four hole mounting**  
front

**AVC4 - .**

**Modular shaft extensions for use with door interlock**

Dimension C (internal depth, inside of door to top of DIN rail)

Dimension	H400-A	H400-D/ -E	No.	Order code number
0	102 . . . 117 mm	115 . . . 130 mm	-	-
1	122 . . . 142 mm	135 . . . 155 mm	1	AVC4 - 1
2	147 . . . 167 mm	160 . . . 180 mm	1	AVC4 - 2
3	172 . . . 192 mm	185 . . . 205 mm	1	AVC4 - 3
4	197 . . . 217 mm	210 . . . 230 mm	1	AVC4 - 4

**Product lines H400**

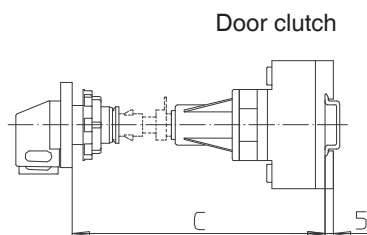
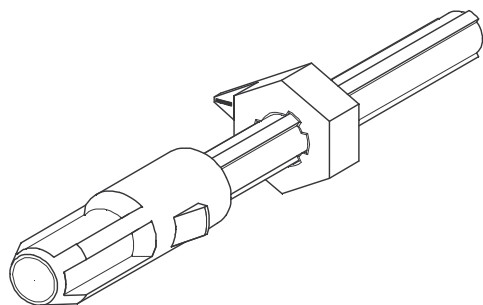
AVC4-. is suitable to extend the shaft:

234M1/ 234M4  
234N1/ 234N4  
234V1/ 234V4

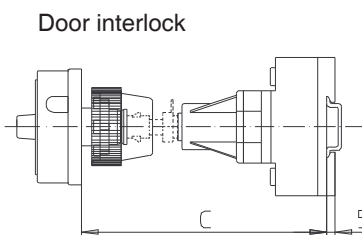
235M1/ 235M4  
235N1/ 235N4

242M1

242V1/ 243V1



Door clutch



Door interlock

**Product lines**  
H400-A/ -D/ -E

**Metal shaft extension**

for mounting forms with  
**Base mounting switch**  
**Door clutch** or  
**Door interlock**

**Single hole mounting**  
ø 22,5 mm front

**AVA8 - . . .**

**Metal shaft extension for mounting forms with door clutch or door interlock and single hole mounting ø 22,5 mm front**

Dimension C (Internal Depth, outside of door to top of DIN rail)

Order code number

H400-A

H400-D/ -E

Order code number

165 ... 183 mm  
184 ... 208 mm  
209 ... 233 mm  
234 ... 258 mm

177 ... 195 mm  
196 ... 220 mm  
221 ... 245 mm  
246 ... 270 mm

AVA8 - 065  
AVA8 - 090  
AVA8 - 115  
AVA8 - 140

259 ... 283 mm  
284 ... 308 mm  
309 ... 333 mm  
334 ... 358 mm

271 ... 295 mm  
296 ... 320 mm  
321 ... 345 mm  
346 ... 370 mm

AVA8 - 165  
AVA8 - 190  
AVA8 - 215  
AVA8 - 240

359 ... 383 mm  
384 ... 408 mm  
409 ... 433 mm  
434 ... 458 mm

371 ... 395 mm  
396 ... 420 mm  
421 ... 445 mm  
446 ... 470 mm

AVA8 - 265  
AVA8 - 290  
AVA8 - 315  
AVA8 - 340

459 ... 483 mm  
484 ... 508 mm  
509 ... 533 mm  
534 ... 558 mm

471 ... 495 mm  
496 ... 520 mm  
521 ... 545 mm  
546 ... 570 mm

AVA8 - 365  
AVA8 - 390  
AVA8 - 415  
AVA8 - 440

559 ... 583 mm  
584 ... 608 mm  
609 ... 633 mm  
634 ... 658 mm

571 ... 595 mm  
596 ... 620 mm  
621 ... 645 mm  
646 ... 670 mm

AVA8 - 465  
AVA8 - 490  
AVA8 - 515  
AVA8 - 540

**Product lines H400**

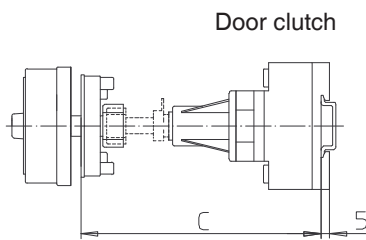
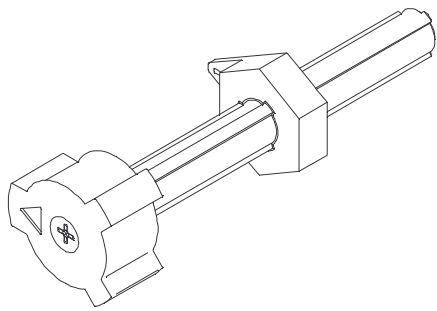
AVA8-... is suitable to extend the shaft:

Door clutch

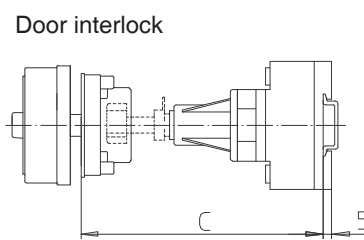
280M1/ 280M4  
280N1/ 280N4  
280V1/ 280V4  
282M1  
282V1/ 292V1

Door interlock

281M1/ 281M4  
281N1/ 281N4  
281V1/ 281V4  
283M1  
283V1/ 293V1



Door clutch



Door interlock

**Product lines**  
H400-A/ -D/ -E

**Metal shaft extension**

for mounting forms with  
**Base mounting switch**  
**Door clutch** or  
**Door interlock**

**Four hole mounting**  
front

**AVB8 - . . .**

**Metal shaft extension for mounting forms with door clutch or door interlock and four hole mounting front**

Dimension C (internal depth, inside of door to top of DIN rail)

H400-A	H400-D/ -E	Order code number
150 . . . 174mm	162 . . . 186 mm	AVB8 - 065
175 . . . 199mm	187 . . . 211 mm	AVB8 - 090
200 . . . 224mm	212 . . . 236 mm	AVB8 - 115
225 . . . 249 mm	237 . . . 261 mm	AVB8 - 140
250 . . . 274 mm	262 . . . 286 mm	AVB8 - 165
275 . . . 299 mm	287 . . . 311 mm	AVB8 - 190
300 . . . 324 mm	312 . . . 336 mm	AVB8 - 215
325 . . . 349 mm	337 . . . 361 mm	AVB8 - 240
350 . . . 374 mm	362 . . . 386 mm	AVB8 - 265
375 . . . 399 mm	387 . . . 411 mm	AVB8 - 290
400 . . . 424 mm	412 . . . 436 mm	AVB8 - 315
425 . . . 449 mm	437 . . . 461 mm	AVB8 - 340
450 . . . 474 mm	462 . . . 486 mm	AVB8 - 365
475 . . . 499 mm	487 . . . 511 mm	AVB8 - 390
500 . . . 524 mm	512 . . . 536 mm	AVB8 - 415
525 . . . 549 mm	537 . . . 561 mm	AVB8 - 440
550 . . . 574 mm	562 . . . 586 mm	AVB8 - 465
575 . . . 599 mm	587 . . . 611 mm	AVB8 - 490
600 . . . 624 mm	612 . . . 636 mm	AVB8 - 515
625 . . . 649 mm	637 . . . 661 mm	AVB8 - 540

**Product lines H400**

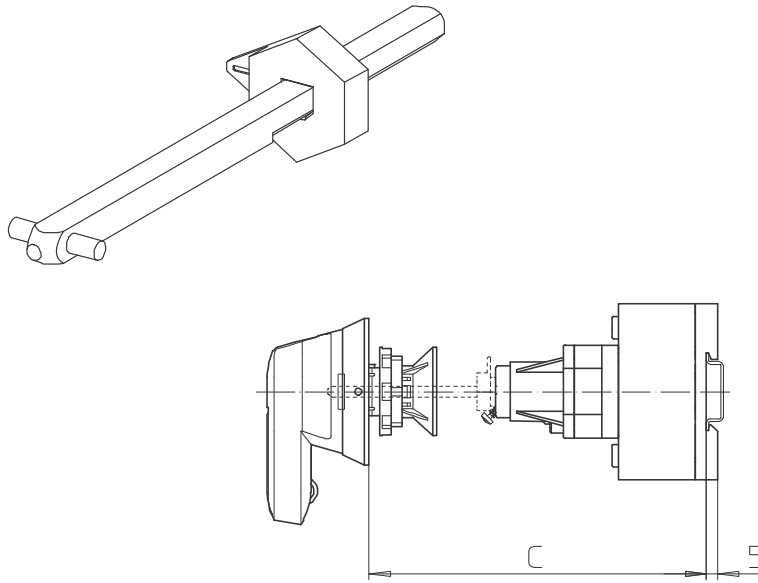
AVB8-... is suitable to extend the shaft:

Door clutch

431M1/ 431M4  
431N1/ 431N4  
441M1  
441V1/ 442V1  
432M1/ 432M4  
432N1/ 432N4  
432V1/ 432V4

Door interlock

435M1/ 435M4  
435N1/ 435N4  
481M1  
481V1/ 485V1  
483M1/ 483M4  
483N1/ 483N4  
483V1/ 483V4



**Product lines  
H400-A/ -D**

**Metal shaft extension**

for mounting forms with  
**Base mounting switch  
Defeatable  
door interlock**

**Single hole mounting**  
ø 22,5 mm front

**AVE5 - . . .**

**Metal shaft extension for mounting form with defeatable door interlock,  
single hole mounting ø 22,5 mm front**

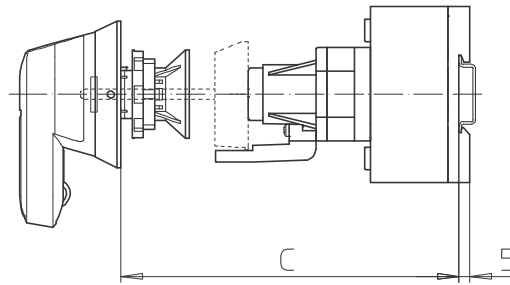
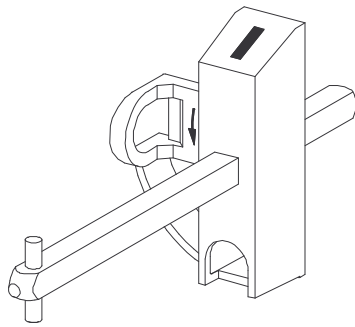
Dimension C (internal depth, outside of door to top of DIN rail)

H400-A	H400-D	Order code number
133 ... 148 mm	146 ... 161 mm	<b>AVE5-088</b>
148 ... 163 mm	161 ... 176 mm	<b>AVE5-103</b>
163 ... 178 mm	176 ... 191 mm	<b>AVE5-118</b>
178 ... 193 mm	191 ... 206 mm	<b>AVE5-133</b>
193 ... 208 mm	206 ... 221 mm	<b>AVE5-148</b>
208 ... 223 mm	221 ... 236 mm	<b>AVE5-163</b>
223 ... 238 mm	236 ... 251 mm	<b>AVE5-178</b>
238 ... 253 mm	251 ... 266 mm	<b>AVE5-193</b>
253 ... 268 mm	266 ... 281 mm	<b>AVE5-208</b>
268 ... 283 mm	281 ... 296 mm	<b>AVE5-223</b>
283 ... 298 mm	296 ... 311 mm	<b>AVE5-238</b>
298 ... 313 mm	311 ... 326 mm	<b>AVE5-253</b>
313 ... 328 mm	326 ... 341 mm	<b>AVE5-268</b>
328 ... 343 mm	341 ... 356 mm	<b>AVE5-283</b>
343 ... 358 mm	356 ... 371 mm	<b>AVE5-298</b>
358 ... 373 mm	371 ... 386 mm	<b>AVE5-313</b>
373 ... 388 mm	386 ... 401 mm	<b>AVE5-328</b>
388 ... 403 mm	401 ... 416 mm	<b>AVE5-343</b>
403 ... 418 mm	416 ... 431 mm	<b>AVE5-358</b>
418 ... 433 mm	431 ... 446 mm	<b>AVE5-373</b>
433 ... 448 mm	446 ... 461 mm	<b>AVE5-388</b>
448 ... 463 mm	461 ... 476 mm	<b>AVE5-403</b>
463 ... 478 mm	476 ... 491 mm	<b>AVE5-418</b>
478 ... 493 mm	491 ... 506 mm	<b>AVE5-433</b>
493 ... 508 mm	506 ... 521 mm	<b>AVE5-448</b>
508 ... 523 mm	521 ... 536 mm	<b>AVE5-463</b>
523 ... 538 mm	536 ... 551 mm	<b>AVE5-478</b>
538 ... 553 mm	551 ... 566 mm	<b>AVE5-493</b>
553 ... 568 mm	566 ... 581 mm	<b>AVE5-508</b>
568 ... 583 mm	581 ... 596 mm	<b>AVE5-523</b>
583 ... 598 mm	596 ... 611 mm	<b>AVE5-538</b>
598 ... 613 mm	611 ... 626 mm	<b>AVE5-553</b>
613 ... 628 mm	626 ... 641 mm	<b>AVE5-568</b>

**Product line H400**

Metal shafts AVE5-. are suitable for mounting forms:

**380D1 / 380D4**



**Product lines  
H400-A/ -D**

**Metal shaft extension**

for mounting forms with  
**Base mounting switch  
Defeatable  
door interlock with  
maintenance handle**

**Single hole mounting**  
ø 22,5 mm front

**AVF5 - . . .**

**Metal shaft extension for mounting form with defeatable door interlock,  
single hole mounting ø 22,5 mm front  
Additional lockable maintenance handle**

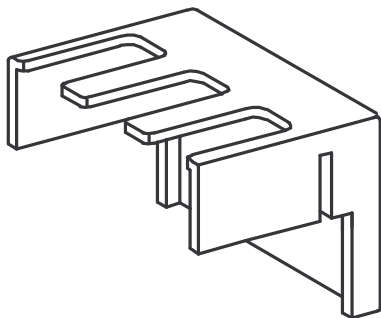
Dimension C (internal depth, outside of door to top of DIN rail)

H400-A	H400-D	Order code number
143 . . . 148 mm	156 . . . 161 mm	AVF5-088
148 . . . 163 mm	161 . . . 176 mm	AVF5-103
163 . . . 178 mm	176 . . . 191 mm	AVF5-118
178 . . . 193 mm	191 . . . 206 mm	AVF5-133
193 . . . 208 mm	206 . . . 221 mm	AVF5-148
208 . . . 223 mm	221 . . . 236 mm	AVF5-163
223 . . . 238 mm	236 . . . 251 mm	AVF5-178
238 . . . 253 mm	251 . . . 266 mm	AVF5-193
253 . . . 268 mm	266 . . . 281 mm	AVF5-208
268 . . . 283 mm	281 . . . 296 mm	AVF5-223
283 . . . 298 mm	296 . . . 311 mm	AVF5-238
298 . . . 313 mm	311 . . . 326 mm	AVF5-253
313 . . . 328 mm	326 . . . 341 mm	AVF5-268
328 . . . 343 mm	341 . . . 356 mm	AVF5-283
343 . . . 358 mm	356 . . . 371 mm	AVF5-298
358 . . . 373 mm	371 . . . 386 mm	AVF5-313
373 . . . 388 mm	386 . . . 401 mm	AVF5-328
388 . . . 403 mm	401 . . . 416 mm	AVF5-343
403 . . . 418 mm	416 . . . 431 mm	AVF5-358
418 . . . 433 mm	431 . . . 446 mm	AVF5-373
433 . . . 448 mm	446 . . . 461 mm	AVF5-388
448 . . . 463 mm	461 . . . 476 mm	AVF5-403
463 . . . 478 mm	476 . . . 491 mm	AVF5-418
478 . . . 493 mm	491 . . . 506 mm	AVF5-433
493 . . . 508 mm	506 . . . 521 mm	AVF5-448
508 . . . 523 mm	521 . . . 536 mm	AVF5-463
523 . . . 538 mm	536 . . . 551 mm	AVF5-478
538 . . . 553 mm	551 . . . 566 mm	AVF5-493
553 . . . 568 mm	566 . . . 581 mm	AVF5-508
568 . . . 583 mm	581 . . . 596 mm	AVF5-523
583 . . . 598 mm	596 . . . 611 mm	AVF5-538
598 . . . 613 mm	611 . . . 626 mm	AVF5-553
613 . . . 628 mm	626 . . . 641 mm	AVF5-568

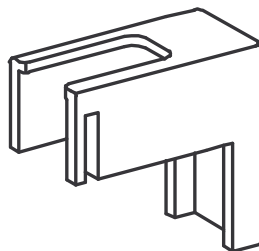
**Product line H400**

Metal shafts AVF5-. are suitable for mounting forms:

385D1 / 385D4



TCA4



TCB4

**Product lines  
H400-A/ -D**

**Terminal covers**

for ON-OFF Switches

**Front or base  
mounting**

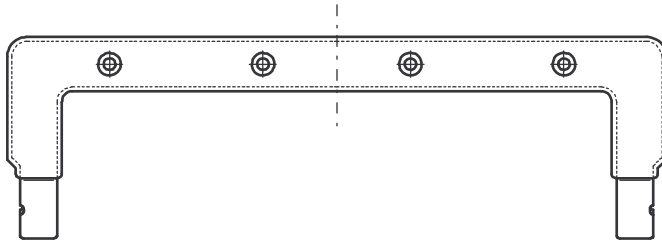
**TCA4 / TCB4**

**Terminal covers**

Product lines H400-A and H400-D  
Main/Emergency-Off Switches

**Order code  
number**

Switching programmes from ... up to ...	TCA4 number	TCB4 number	Total number	Terminal cover	
				3 pole	1 pole
41300 41340	1	0	1	TCA4	-
41400 41420	1	1	2	TCA4	TCB4
41600 41640	2	0	2	TCA4	-
41800 41800	2	2	4	TCA4	TCB4



**Product lines  
H400 -E**

**Neutral jumper**

**Front or base  
mounting**

**404111**

**Product line H400-E**

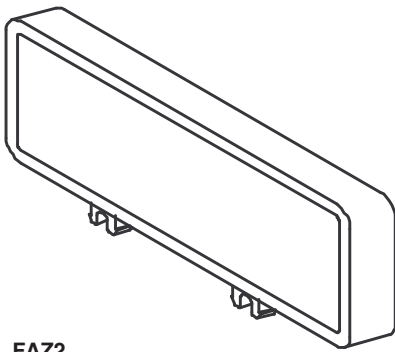
The neutral jumper allows the external connection of the terminal clamps at neutral conductor modules.

H400-E

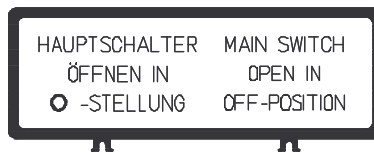
**Order code  
number**

**404111**

# Accessories



**FAZ2**  
Escutcheon frame plate black  
(without legend plate)



**FAZ2 - 8041**

**Product lines**  
H400-A/ -D/ -E

**Additional top  
escutcheon plates**

**to put on escutcheons  
and padlock devices  
(also in connection  
with enclosures)**

**FAZ2 - . . . .**

**Additional top escutcheon plates**

with additional inscription to be clipped on the escutcheon and padlock devices

- Escutcheon frame plate black, legend plate silver, without inscription (can be engraved)
- Escutcheon frame plate black, legend plate silver, inscription FA 8...\*
- Escutcheon frame plate black, legend plate silver, special engraving
- Escutcheon frame plate black, legend plate yellow, without inscription (can be engraved)
- Escutcheon frame plate black, legend plate yellow, inscription FA 8...\*
- Escutcheon frame plate black, legend plate yellow, special engraving
- Escutcheon frame plate black (without legend plate)

- FAZ2 - 8000**
- FAZ2 - 8 . . .**
- FAZ2 - (special no.)**
- FBZ2 - 8000**
- FBZ2 - 8 . . .**
- FBZ2 - (special no.)**
- FAZ2**

**Legend plates**

- legend plate silver without inscription (can be engraved)
- legend plate silver, inscription FA 8...\*
- legend plate silver, special engraving
- legend plate yellow without inscription (can be engraved)
- legend plate yellow, inscription FA 8...\*
- legend plate yellow, special engraving

- FAS2 - 8000**
- FAS2 - 8 . . .**
- FAS2 - (special no.)**
- FBS2 - 8000**
- FBS2 - 8 . . .**
- FBS2 - (special no.)**

\* inscription FA 8... see next page



HAUPTSCHALTER MAIN SWITCH  
 ÖFFNEN IN OPEN IN  
 O-STELLUNG OFF-POSITION

Example: Legend plate silver **FAS2 - 8041**  
 for top escutcheon plate FAZ2-8041

**Product lines**  
**H400-A/ -D/ -E**

**Legend plates**  
 for additional top  
 escutcheon plates

**FAS2 - 8 . . .**

**FBS2 - 8 . . .**

### Legend plates for additional top escutcheon plates

legend plate silver without inscription (can be engraved)  
 legend plate silver, inscription FA 8...  
 legend plate silver, special engraving

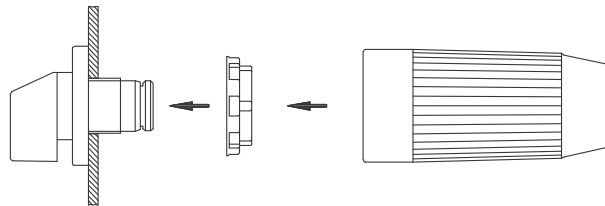
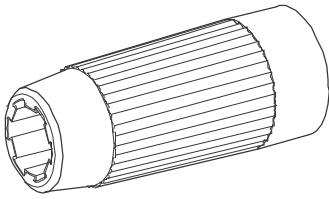
legend plate yellow without inscription (can be engraved)  
 legend plate yellow, inscription FA 8...  
 legend plate yellow, special engraving

**FAS2 - 8000**  
**FAS2 - 8 . . .**  
**FAS2 - (special no.)**

**FBS2 - 8000**  
**FBS2 - 8 . . .**  
**FBS2 - (special no.)**

### Legend plates, inscription FA 8...

	HAUPTSCHALTER FA 8001	MAIN SWITCH FA 8002	NETZSCHALTER FA 8003	WAHLSCHALTER FA 8004	SELECTOR FA 8005
BETRIEBSART FA 8006	ISOLATOR FA 8007	GLEISWAHL FA 8008	STEUERUNG FA 8009	FEIN FA 8010	GROB FA 8011
PUMPE FA 8012	NOT-AUS FA 8013	SYNCHRONIZING FA 8014	WATTMETER FA 8015	AMMETER FA 8016	VOLTMETER AMMETER FA 8017
VOLTMETER FA 8018	MOTOR CONTROL FA 8019	HEIZUNG FA 8021	KEUZESCHAKELAAR FA 8023	SCHWEISSEN FA 8024	GLÄTTUNG FA 8025
EMERGENCY OFF FA 8026	TURVAKYTKIN FA 8027	HAUPTSCHALTER NUR IN STELLUNG ÖFFNEN FA 8028	MAIN SWITCH OPEN ONLY IN POSITION "OFF" FA 8029	INTERRUTTORE GENERALE ARRIARE SOLO MANIPOLA SU ZERO FA 8030	INTERRUPTEUR PRINCIPAL OUVRIRE POSITION O SÉLÈMENT FA 8031
VOLTIMETRO FA 8032	AMPERIMETRO FA 8033	VATIMETRO FA 8034	CONTROL FA 8035	BOMBA FA 8036	INTERRUPTOR FA 8037
CALEFACCION FA 8038	HOOFDSCHAKELAAR ALLEEN IN O - STAND OPENEN FA 8039	INTERRUPTOR PRINCIPAL ABRIR SOLO EN POSICION O FA 8040	HAUPTSCHALTER MAIN SWITCH ÖFFNEN IN OPEN IN O-STELLUNG OFF-POSITION FA 8041	DANGER ISOLATE MAIN SUPPLY BEFORE REMOVING COVER FA 8042	HUVUDBRYTARE FA 8044
HLAVNÍ VYPÍNAČ FA 8045	HLAVNÍ VYPÍNAČ OTEVŘÍT-POUZE V POLOZE O FA 8046				



**Product lines**  
H400-A/ -D/ -E

**Assembly tool**

for switches with  
**Single hole mounting**  
ø 22,5 mm and ø 30,5 mm

**218098**

**Assembly tool**

Suitable for a **fast assembly of the single hole mounting** together with escutcheon/padlock device resp. door clutch / door interlock on mounting forms:

280M1, 280M4  
280N1, 280N4  
280V1, 280V4  
281M1, 281M4

281N1, 281N4  
281V1, 281V4  
282M1  
282V1

283M1  
283V1  
292V1  
293V1

312M1, 312M4  
312N1, 312N4  
313M1, 313M4  
313N1, 313N4

314M1, 314M4  
314N1, 314N4  
315M1, 315M4  
315N1, 315N4

316M1, 316M4  
316N1, 316N4  
317M1, 317M4  
317N1, 317N4

316M1, 316M4  
316N1, 316N4  
317M1, 317M4  
317N1, 317N4

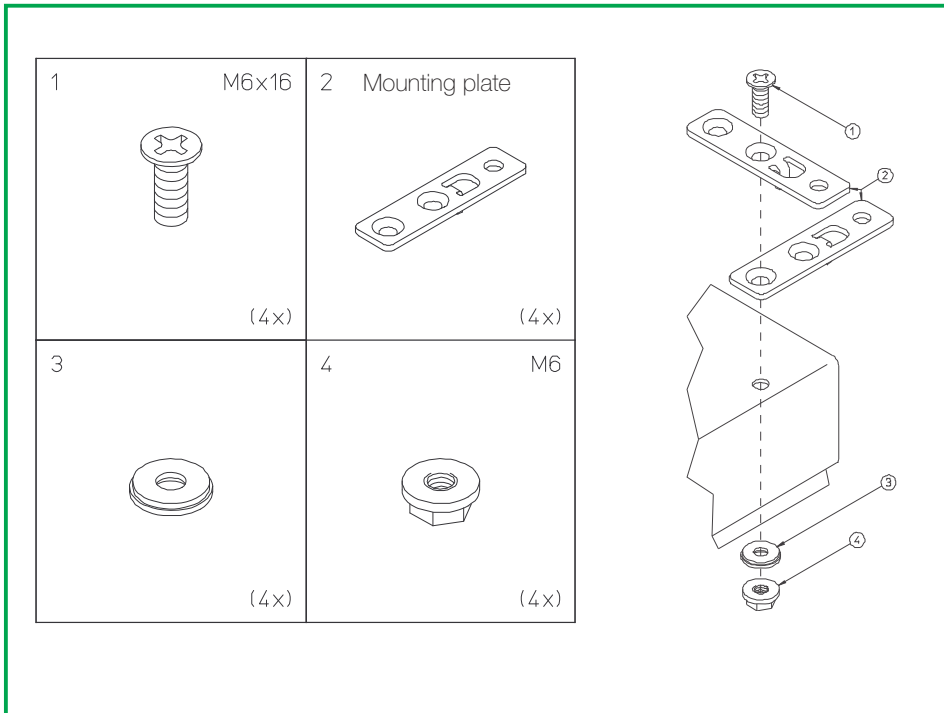
318M1, 318M4  
318N1, 318N4  
319M1, 319M4  
319N1, 319N4

320M1, 320M4  
320N1, 320N4  
321M1, 321M4  
321N1, 321N4

322M1, 322M4  
322N1, 322N4  
323M1, 323M4  
323N1, 323N4

# Accessories

# sälzer



**Product lines  
H400-A/ -D**

**Mounting plate**

**1 set per  
mild steel enclosure**

Size of enclosure  
200 x 150 x 120 mm  
300 x 250 x 120 mm

**SAX1**

## Mounting plate – 1 Set –

suitable for **mounting the mild steel enclosure on walls etc.** for mounting forms:

### 200x150x120mm

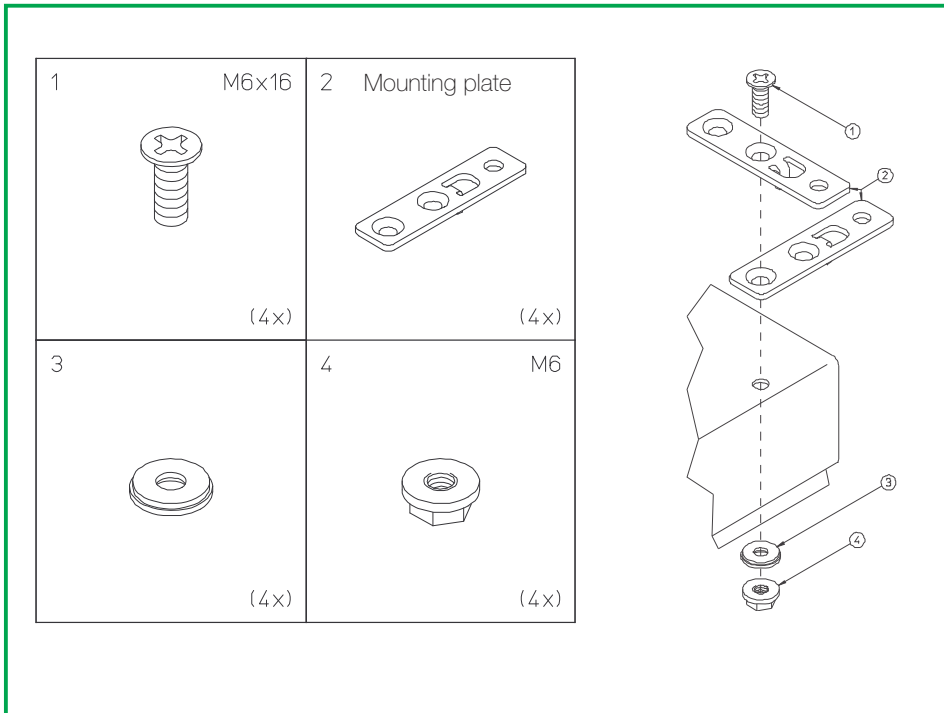
986M1  
987M1, 987M4  
987N1, 987N4

### 300x250x120mm

186M1, 186H1  
187M1, 187M4  
187N1, 187N4  
189H1,  
686M1, 686H1  
687M1, 687M4  
687N1, 687N4  
689H1

# Accessories

**sälzer**



**Product lines  
H400-A/ -D**

**Mounting plate**

**1 set per  
stainless steel  
enclosure**

Size of enclosure  
200 x 150 x 120 mm  
300 x 250 x 120 mm

**SBX1**

## Mounting plate – 1 Set –

suitable for **mounting the stainless steel enclosure on walls etc.** for mounting forms:

### 200x150x120mm

996M1  
997M1, 997M4  
997N1, 997N4

### 300x250x120mm

196M1, 196H1  
197M1, 197M4  
197N1, 197N4  
199H1,  
696M1, 696H1  
697M1, 697M4  
697N1, 697N4  
699H1



### Faster deliveries through SMD

In order to ensure even greater flexibility for worldwide supply availability within 24h, Sälzer Electric has introduced the SMD (Sälzer Modular Design) system.

SMD modules are individually prefabricated and tested all-in-one modules which SMD Service holds in stock in sufficient quantities. From basic switch modules, mounting form modules and operator modules, SMD Service can assemble a complete switch requested by the customer and pack it ready for delivery in just a few actions.

**– back –**