

Base Mounting Switches

sälzer

Product line
H200-E

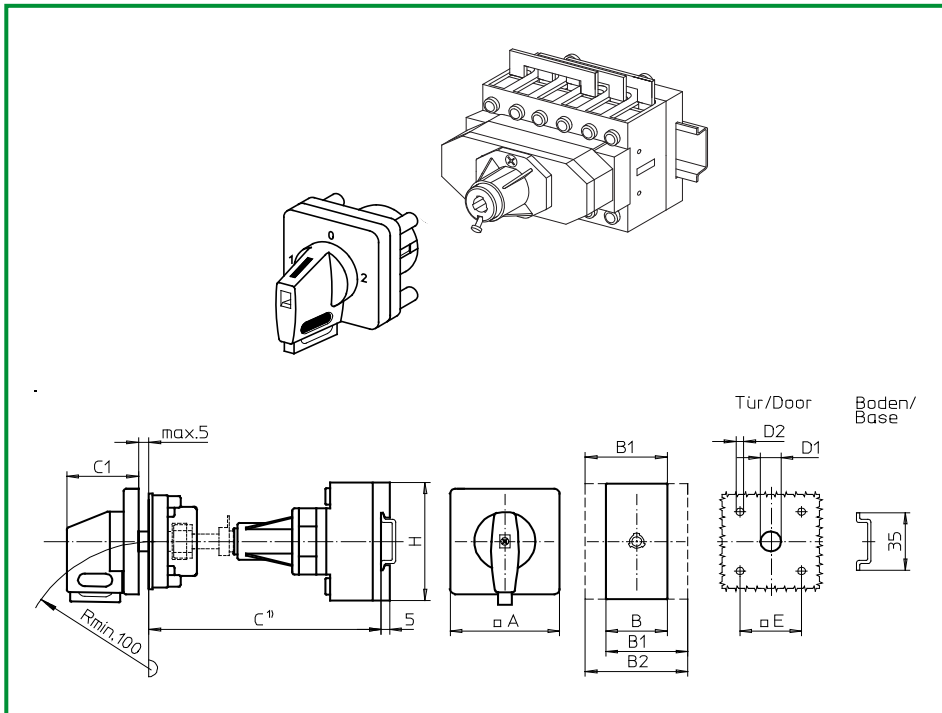
Base mounting switch
Operator module of next size

Door interlock
Metal shaft extension
With shaft retaining screw

Four hole mounting
48 × 48 mm front

454V1 (IP66)

458V1 (IP66)



Complete switch	Poles	Product lines	Rated data (IEC 60947)			Order code number
			Operational current I _e	Operational power at 380–440V		
			AC-21A A	AC-23A kW	AC-3 kW	
Changeover with OFF Switching angle 90° OFF position padlockable 12h	3 ... 4	H200-E	20	5,5	3,7	H216 - 71 ... - 454V1
			25	7,5	5,5	H220 - 71 ... - 454V1
			32	11	7,5	H226 - 71 ... - 454V1
			40	22	18,5	H233 - 11 ... - 454V1
Changeover with OFF Switching angle 90° 3 positions padlockable (09h/12h/03h)	3 ... 4	H200-E	20	5,5	3,7	H216 - 71 ... - 458V1
			25	7,5	5,5	H220 - 71 ... - 458V1
			32	11	7,5	H226 - 71 ... - 458V1
			40	22	18,5	H233 - 71 ... - 458V1

SMD modules for basic switch A02			
Mounting form module for 454V1/458V1		H200-E	BFC2 - 454
V-operator module 64 × 64 mm, mounting form 454V1 Escutcheon black, handle black			4AV1 - 12
V-operator module 64 × 64 mm, mounting form 458V1 Escutcheon black, handle black			4AV1 - 99
Legend plate silver, operator modules 454V1/458V1			FAS4 - 9... (FA number)

Dimensions (mm)									
Product line	A	B	B1	B2	C1	D1	D2	E	H
H200-E	64	72	84	96	39	15	5	48	70

C¹) Internal depth, inside of door to top of DIN rail. Metal shaft is not included. Please order separately. See page B9-21.