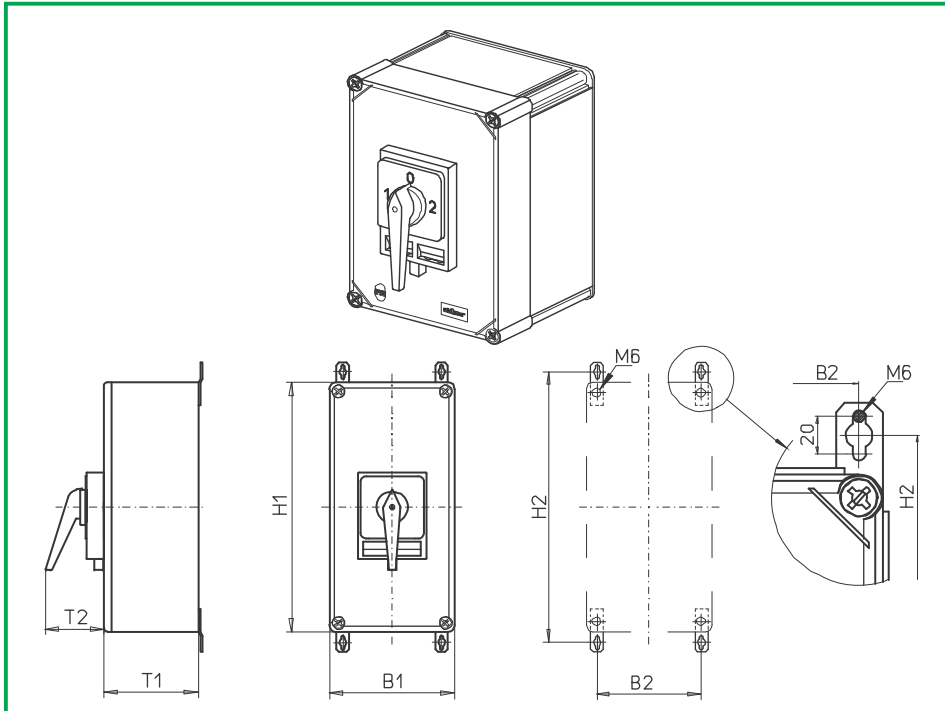


Enclosed Switches



**Product line
K616**

Enclosed switches

Insulated enclosures
440 x 320 x 255 mm

With cover interlock
in position 1 and 2

Cable entries
Blank gland plates

176H1 (IP66)

Complete Switch	Poles	Product lines	Rated Data (IEC 60947)			Order Code Number
			Operational current I _e	Operational power at 380–440V		
			AC-21A A	AC-23A kW	AC-3 kW	
Changeover with OFF Switching angle 90° OFF position padlockable 12h	3 ... 4	K616	160	75	45	K616 - 71 ... - 176H1
SMD modules for switch module						
Mounting form module			K616			K616- 41 ... - ED
Enclosure module, mounting form 176H1 H-padlock device black						PAK6 - 176H1
Dimensions (mm)						
Product line	H1	H2	B1	B2	T1	T2
K616	440	480	320	293	255	83
Switching programmes						
Changeover Switches	3-pole	71300, 71311, 71322				
	4-pole	71400				