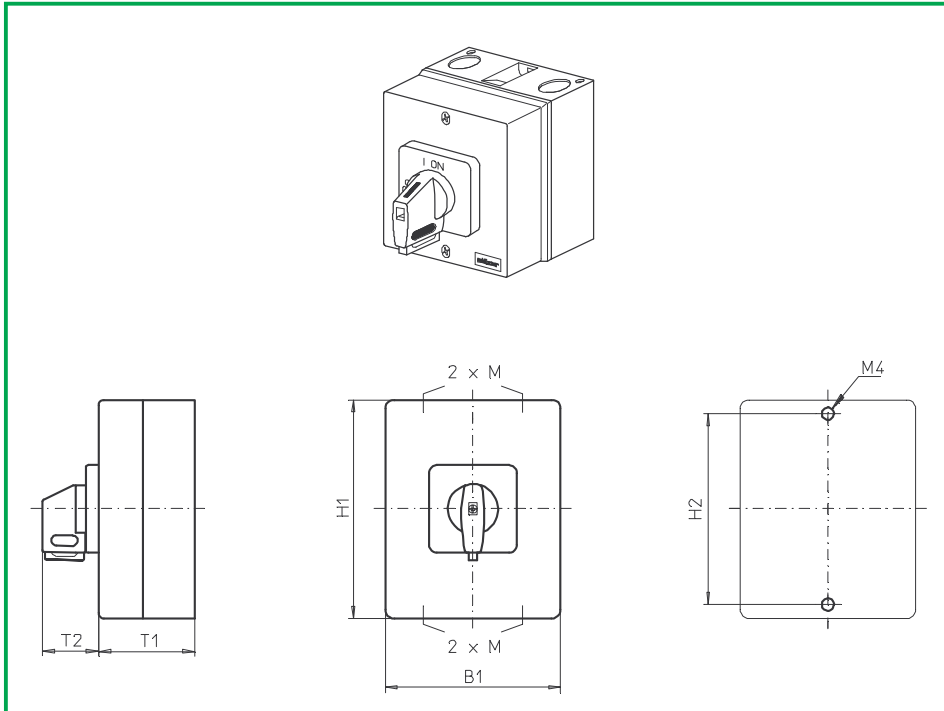


Enclosed Switches

sälzer



Product lines
P200

Enclosed switches

Insulated enclosure
100 x 80 x 65 mm

Cable entries
4 x M20

077V1 (IP66)
077V4 (IP66)

Complete switch	Poles	Product line	Rated data (IEC 60947)			Order code number
			Operational current I _e AC-21A A	Operational power at 380–440 V AC-23A kW	AC-3 kW	
Main Switches OFF position padlockable 09h	1 ... 2	P200	20	7,5	5,5	P220 - 61 ... - 077V1
Main/Emergency-Off Switches OFF position padlockable 09h	1 ... 2	P200	20	7,5	5,5	P220 - 61 ... - 077V4
SMD modules for basic switch A02						
Mounting form module for 077V., 1 contact stage			P220			BFG2 - EA
Mounting form module for 077V1						PAM2 - 077V1
Mounting form module for 077V4						PAM2 - 077V4
Legend plate silver, enclosure module 077V1						FAS2 - 9078
Legend plate yellow, enclosure module 077V4						FBS2 - 9078
Dimensions (mm)						
Type	H1	B1	T1	T2	2xM	H2
P220	100	80	65	32	20	90