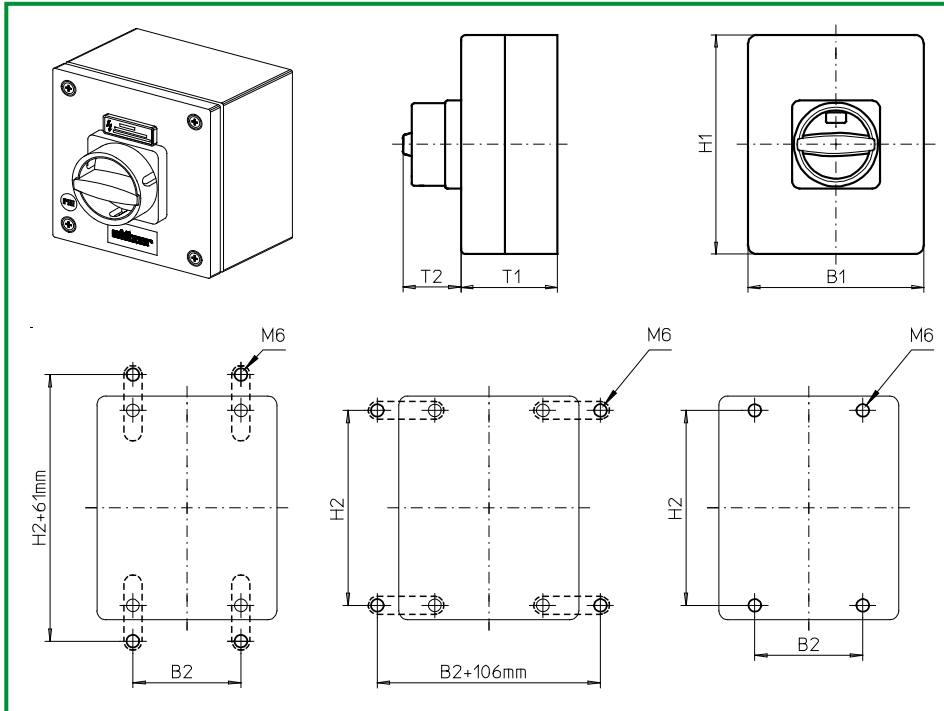


Enclosed Switches



Product line
H200-A

Enclosed switch

Mild steel enclosure
150 x 150 x 120 mm

with cover interlock
in ON position

with N/PE connection link

087N1 (IP66)

087N4 (IP66)

Complete switch	Poles	Product lines	Rated data (IEC 60947)			Order code number
			Operational current I _e	Operational power at 380–440V		
			AC-21A A	AC-23A kW	AC-3 kW	
Main Switches OFF position padlockable 12h	3 ... 4	H200-A	20	5,5	3,7	H216 - 41 ... - 087N1
			25	7,5	5,5	H220 - 41 ... - 087N1
			32	11	7,5	H226 - 41 ... - 087N1
Main/Emergency-Off Switches OFF position padlockable 12h	3 ... 4	H200-A	20	5,5	3,7	H216 - 41 ... - 087N4
			25	7,5	5,5	H220 - 41 ... - 087N4
			32	11	7,5	H226 - 41 ... - 087N4
SMD modules for basic switch A02						
Mounting form module (switch module ED)			H200-A			BFA2 - ED
Enclosure module, mounting form 087N1			H200-A			SAH2 - 087N1
Enclosure module, mounting form 087N4			H200-A			SAH2 - 087N4
Accessories						
Mounting brackets for enclosure modules SA (1 set)						SAX1
Dimensions (mm)						
Product line	H1	B1	T1	T2	H2	B2
H200-A	150	150	120	33	132	85