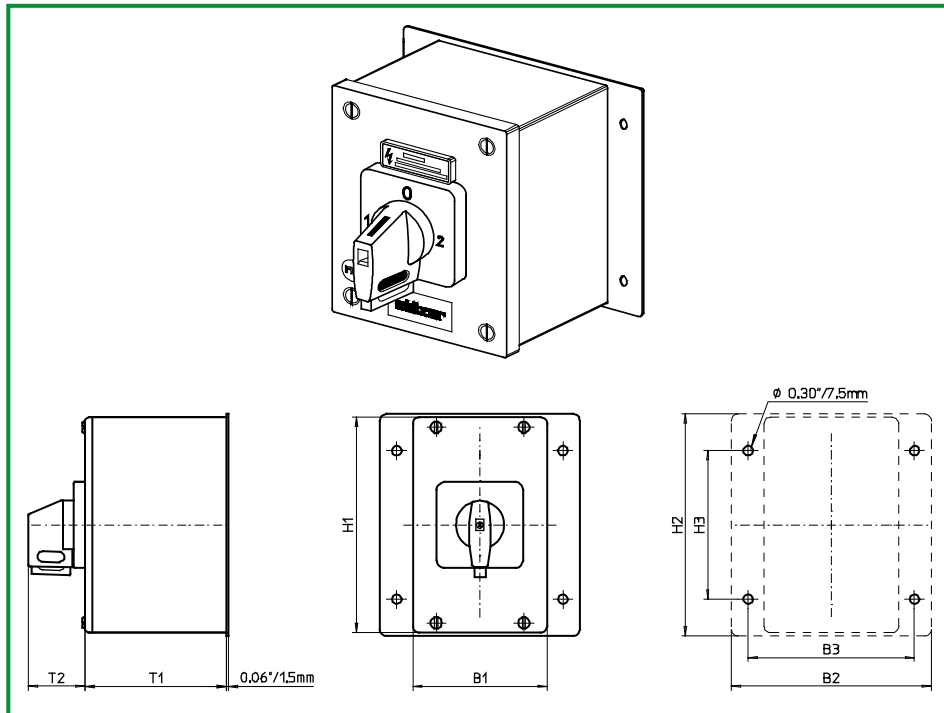


Enclosed Switches



**Product line
H200-E**

Enclosed switch

**Stainless steel
enclosure
polished**

160 × 160 × 110 mm

Cover interlock
in position 1 and 2

with PE connection link
without N connection link

193V1 (IP66)

195V1 (IP66)

Complete switch	Poles	Product lines	Rated data (IEC 60947)			Order code number
			Operational current I _e	Operational power at 380–440V		
			AC-21A A	AC-23A kW	AC-3 kW	
Changeover with OFF Switching angle 90° OFF position padlockable 12h	3 ... 4	H200-E	20	5,5	3,7	H216 - 71 ... - 193V1
			25	7,5	5,5	H220 - 71 ... - 193V1
			32	11	7,5	H226 - 71 ... - 193V1
			40	15	11	H233 - 71 ... - 193V1
Changeover with OFF Switching angle 90° 3 positions padlockable	3 ... 4	H200-E	20	5,5	3,7	H216 - 71 ... - 195V1
			25	7,5	5,5	H220 - 71 ... - 195V1
			32	11	7,5	H226 - 71 ... - 195V1
			40	15	11	H233 - 71 ... - 195V1

SMD modules for basic switch A02			
Mounting form module for 193V1/195V1		H200-E	BFB2 - E9
Enclosure module, mounting form 193V1			SBH2 - 193V1
Enclosure module, mounting form 195V1			SBH2 - 195V1
Legend plate silver, enclosure module 193V1/195V1			FAS4 - 9... (FA number)

Dimensions (mm)								
Product line	H1	B1	T1	T2	H2	H3	B2	B3
H200-E	160	160	110	39	165	110	210	185