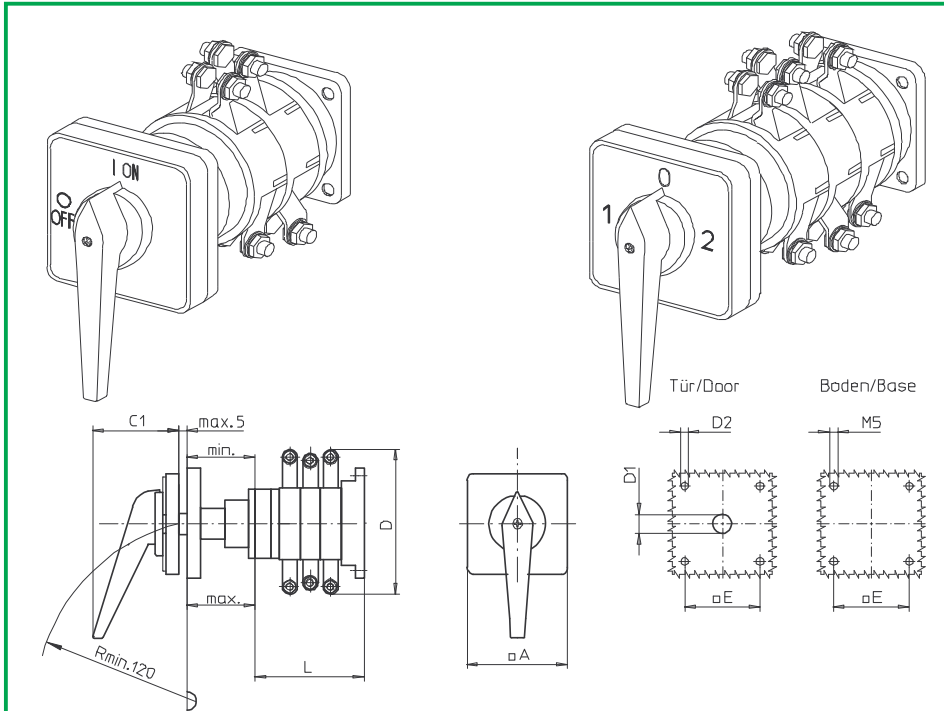


# Base Mounting Switches

# sälzer



**Product line**  
**K830**

**Base mounting switch**

**Door interlock**

**Four hole mounting**  
 104 x 104 mm base  
 104 x 104 mm front

**042G1 (IP55)**

Complete Switch	Poles	Product lines	Rated Data (IEC 60947)			Order Code Number
			Operational current I <sub>e</sub>	Operational power at 380–440V		
			AC-21A A	AC-23A kW	AC-3 kW	
ON-OFF Switches Switching angle 90° Starting position of the handle 09h	3 ... 8	K830	315	132	55	<b>K830 - 41 ... - 042G1</b>
Changeover with OFF Switching angle 90° Starting position of the handle 12h	3 ... 4	K830	315	132	55	<b>K830 - 71 ... - 042G1</b>

SMD modules for basic switch	(GA A02)		
Mounting form module for 042G.		K830	<b>BFA8 - 042</b>
G-operator module 130 x 130 mm, mounting form 042G1 Escutcheon black, handle black; Starting position of the handle 09h			<b>8AG1</b>
G-operator module 130 x 130 mm, mounting form 042G1 Escutcheon black, handle black; Starting position of the handle 12h			<b>8BG1</b>
Legend plate silver, operator module 042G1			<b>FAS8 - .... (FA number)</b>

Dimensions (mm)									L with ... stages			
Type	A	C1	D*	D1	D2	E	min.	max.	1	2	3	4
K830	130	74	210	20	5,5	104	75	102	89	125	161	197

Switching programmes <sup>1)</sup>	
Dimension L	ON-OFF Switches
125	41300, 41400
161	41600
197	41800
	Changeover Switches
	-
	71300
	71400

\* Terminal lugs included  
<sup>1)</sup> Examples, other switching programmes on request