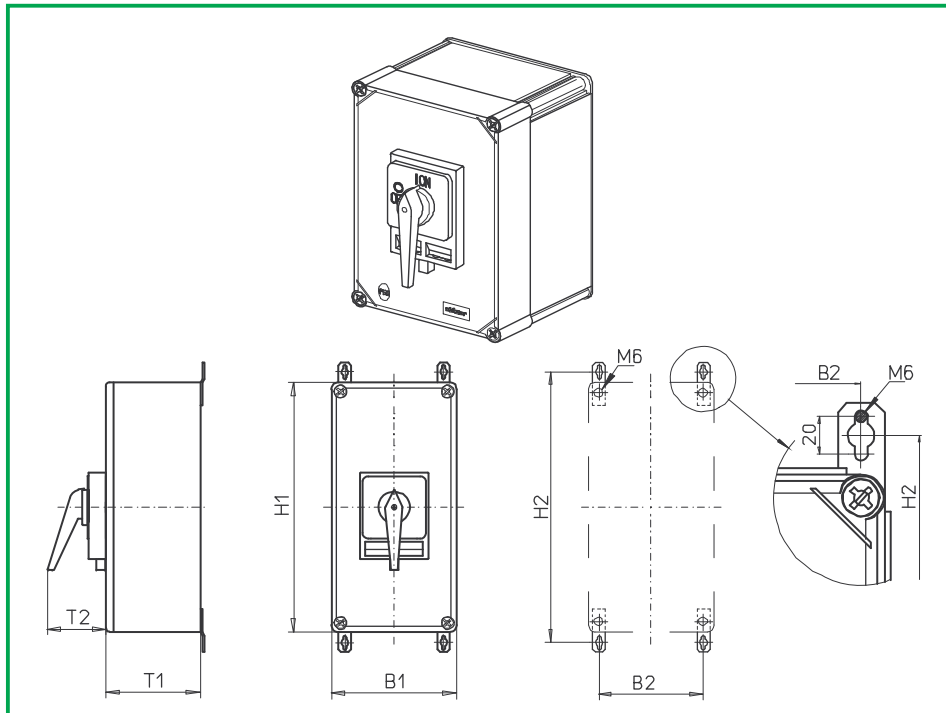


# Enclosed Switches

# sälzer



**Product line**  
**K616**

**Enclosed switches**

**Insulated enclosures**  
440 x 320 x 255 mm

With cover interlock  
in ON position

**Cable entries**  
Blank gland plates

**177H1 (IP66)**

**177H4 (IP66)**

Complete Switch	Poles	Product lines	Rated Data (IEC 60947)			Order Code Number
			Operational current I <sub>e</sub>	Operational power at 380–440V		
			AC-21A A	AC-23A kW	AC-3 kW	
Main Switches Switching angle 90° OFF position padlockable 09h	3 ... 8	K616	160	75	45	<b>K616 - 41 ... - 177H1</b>
Main/Emergency-Off Switches Switching angle 90° OFF position padlockable 09h	3 ... 8	K616	160	75	45	<b>K616 - 41 ... - 177H4</b>
<b>SMD modules for switch module</b>						
Mounting form module			K616			<b>K616- 41 ... - ED</b>
Enclosure module, mounting form 177H1 H-padlock device black						<b>PAK6-177H1</b>
Enclosure module, mounting form 177H4 H-padlock device yellow/red						<b>PAK6-177H4</b>
<b>Dimensions (mm)</b>						
<b>Product line</b>	<b>H1</b>	<b>H2</b>	<b>B1</b>	<b>B2</b>	<b>T1</b>	<b>T2</b>
K616	440	480	320	293	255	83
<b>Switching programmes</b>						
Main Switches and	3- / 4-pole	<b>41311, 41320, 41411, 41420</b>				
Main/Emergency-Off Switches	6-pole	<b>41600, 41611, 41620</b>				
	8-pole	<b>41800</b>				