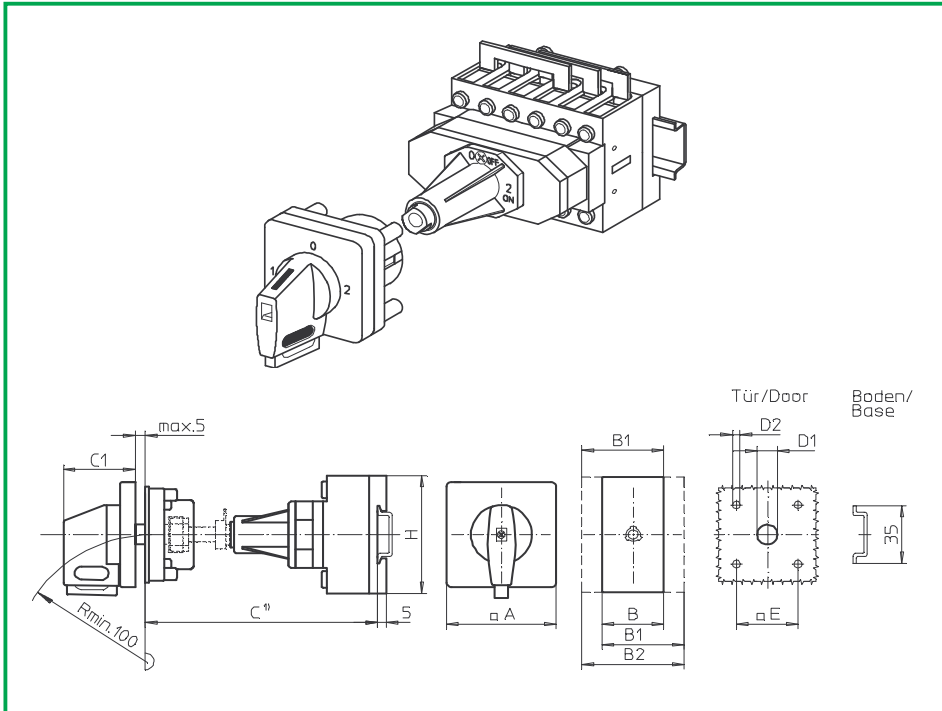


# Base Mounting Switches

# sälzer



**Product line**  
**B200-E**

**Base mounting switch**  
Operator module of next size

**Door interlock**  
Metal shaft extension

**Four hole mounting**  
48 x 48 mm front

**482V1 (IP66)**  
**449V1 (IP66)**

| Complete switch  | Poles   | Product lines | Rated data (IEC 60947)             |                                |            | Order code number  |
|--|---------|---------------|------------------------------------|--------------------------------|------------|--|
|  |         |               | Operational current I <sub>e</sub> | Operational power at 380–440 V |            |  |
|  |         |               | AC-21A<br>A                        | AC-23A<br>kW                   | AC-3<br>kW |  |
| Changeover with OFF<br>Switching angle 90°<br>OFF position padlockable 12h             | 3 ... 4 | B200-E        | 50<br>63                           | 18,5<br>22                     | 15<br>18,5 | <b>B250 - 71 ... - 482V1</b><br><b>B263 - 71 ... - 482V1</b> |
| Changeover with OFF<br>Switching angle 90°<br>3 positions padlockable<br>(09h/12h/03h) | 3 ... 4 | B200-E        | 50<br>63                           | 18,5<br>22                     | 15<br>18,5 | <b>B250 - 71 ... - 449V1</b><br><b>B263 - 71 ... - 449V1</b> |

| SMD modules for basic switch A02  |  |        |                                |
|---|--|--------|--------------------------------|
| Mounting form module for 482V1/ 449V1   |  | B200-E | <b>BFC2 - 482</b>              |
| V-operator module 64 x 64 mm, mounting form 482V1<br>Escutcheon black, handle black |  |        | <b>4AV1 - 12</b>               |
| V-operator module 64 x 64 mm, mounting form 449V1<br>Escutcheon black, handle black |  |        | <b>4AV1 - 99</b>               |
| Legend plate silver, operator modules 482V1/ 449V1                                  |  |        | <b>FAS4 - 9...</b> (FA number) |

| Dimensions (mm) |    |     |     |     |    |    |    |    |    |
|-----------------|----|-----|-----|-----|----|----|----|----|----|
| Product lines   | A  | B   | B1  | B2  | C1 | D1 | D2 | E  | H  |
| B200-E          | 64 | 100 | 119 | 138 | 39 | 15 | 5  | 48 | 72 |

C<sup>1)</sup> Internal depth, inside of door to top of DIN rail. Metal shaft is not included. Please order separately. See page B8-11.