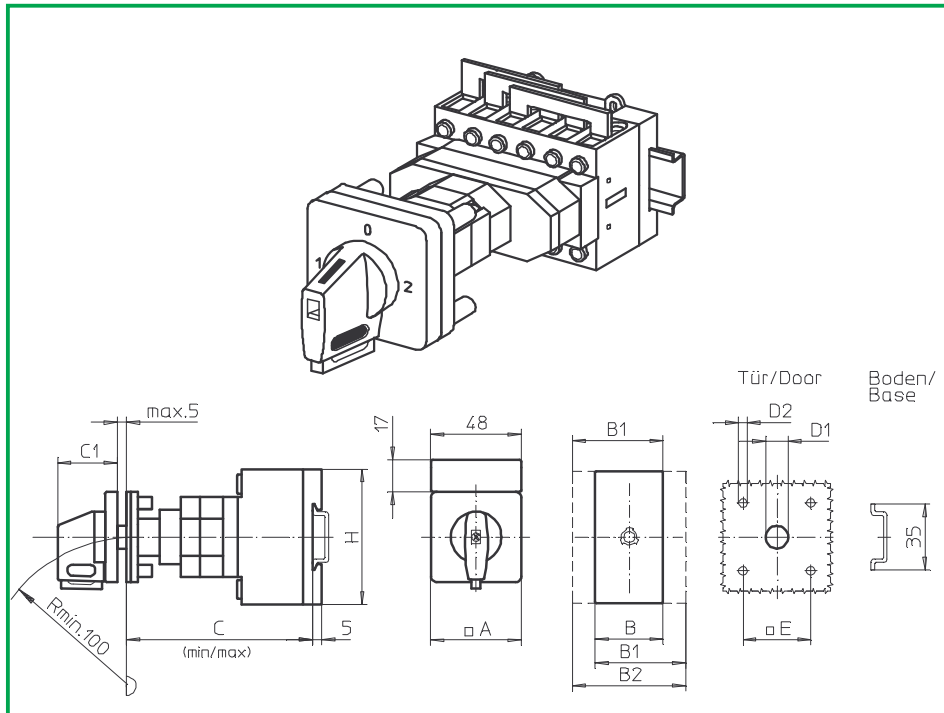


Base Mounting Switches

sälzer



Product line
H400-E

Base mounting switch

Door interlock
Modular shaft extension

Four hole mounting
48 x 48 mm front

242V1 (IP66)
243V1 (IP66)

Complete switch	Poles	Product line	Rated data (IEC 60947)			Order code number
			Operational current I _e	Operational power at 380–440 V		
			AC-21A A	AC-23A kW	AC-3 kW	
Changeover with OFF Switching angle 90° OFF position padlockable 12h	3 ... 4	H400-E	63	22	18,5	H406 - 71 ... - 242V1
			80	30	22	H408 - 71 ... - 242V1
			100	37	30	H410 - 71 ... - 242V1
			125	45	37	H412 - 71 ... - 242V1
Changeover with OFF Switching angle 90° 3 positions padlockable (09h/12h/03h)	3 ... 4	H400-E	63	22	18,5	H406 - 71 ... - 243V1
			80	30	22	H408 - 71 ... - 243V1
			100	37	30	H410 - 71 ... - 243V1
			125	45	37	H412 - 71 ... - 243V1

SMD modules for basic switch A02		
Mounting form module for 242V1/ 243V1	H400-E	BFC4 - 242
M-operator module 64 x 64 mm, mounting form 242V1 Escutcheon black, handle black		4AV1 - 12
M-operator module 64 x 64 mm, mounting form 243V1 Escutcheon black, handle black		4AV1 - 99
Legend plate silver, operator module 242V1/ 243V1		FAS4 - 9... (FA number)

Dimensions (mm)											
Product line	A	B	B1	B2	C _{min}	C _{max}	C1	D1	D2	E	H
H400-E	64	140	159	178	115	130	40	15	5	48	80