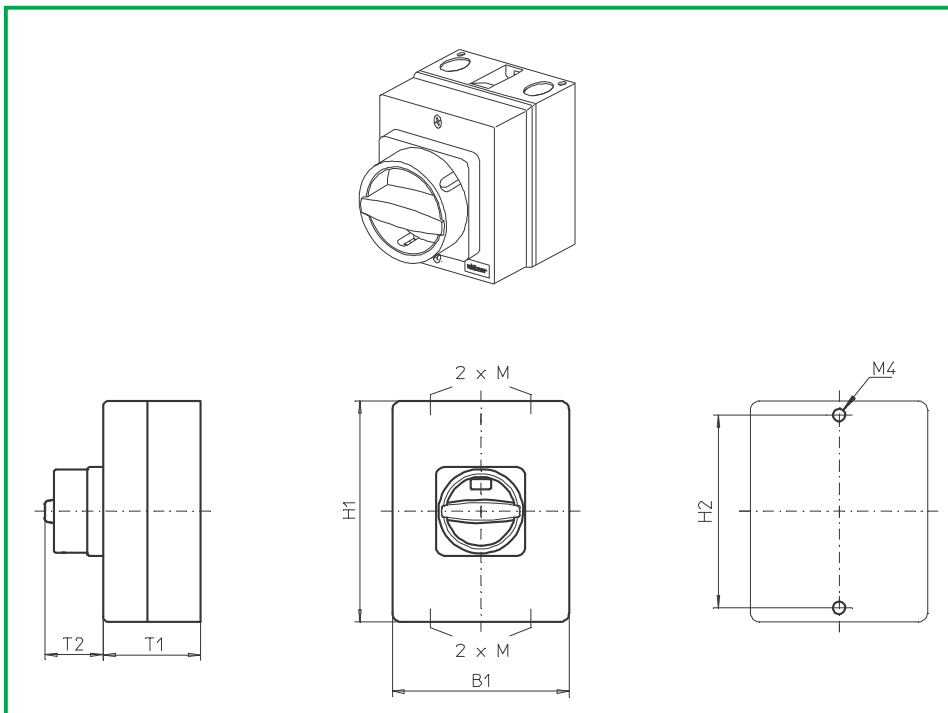


Enclosed Switches

sälzer



**Product lines
P200**

Enclosed switches

Insulated enclosure
100 x 80 x 85 mm

Cable entries
4 x M20

177N1 (IP66)
177N4 (IP66)

Complete switch	Poles	Product line	Rated data (IEC 60947)			Order code number
			Operational current I _e AC-21A A	Operational power at 380–440 V AC-23A kW		
Main Switches OFF position padlockable 09h	3 ... 6	P200	20	7,5	5,5	P220 - 61 ... - 177N1
Main/Emergency-Off Switches OFF position padlockable 09h	3 ... 6	P200	20	7,5	5,5	P220 - 61 ... - 177N4
SMD modules for basic switch A02						
Mounting form module for 177N., 2 contact stages			P220			BFH2 - EA
Mounting form module for 177N., 3 contact stages						BFF2 - EA
Mounting form module for 177N1						PAM2 - 177N1
Mounting form module for 177N4						PAM2 - 177N4
Dimensions (mm)						
Type	H1	B1	T1	T2	2xM	H2
P220	100	80	85	33	20	90